



GRUNDFOS  
 Poul Due Jensens Vej 7  
 DK-8850 Bjerringbro, Denmark

# Wiring Diagram

<p>Application: Pump Control</p> <p>Product: LC 241 1x8-32A DOL 3x230/460/575 PO</p> <p>Product number: 99612814</p>	<p>Rated voltage: 230/460/575 V</p> <p>Rated operational voltage: 230/460/575 V</p> <p>Rated current: 32 A</p> <p>Rated current of auxiliary circuit: 0.5 A</p> <p>Rated frequency: 60 Hz</p> <p>Pollution degree:</p> <p>Earthing scheme:</p> <p>Type of installation: Stationary assembly for indoor/outdoor installation</p> <p>Degree of protection: 4X</p> <p>Electromagnetic compatibility:</p> <p>Ambient Temperature: -4F (-20C) : 104F (40C)</p> <p>Number of pumps: 1</p> <p>Rated current, main pump: 32 A</p> <p>Starting method, main pump: DOL</p> <p>Rated conditional short-circuit current: 10 kA</p> <p>Dimensions (WxHxD): 16.26x20.1x8.38 Inch</p> <p>Caution: Line Terminals of variable-speed-controlled motors may have dangerous voltages even though the motor is stopped.</p>
--	--

Change Note	Date	Name	<small>NOTE:                  This drawing and its content is the property of GRUNDFOS. It may not be copied for third parties or competitors. Changes are only to be made by GRUNDFOS.</small>	Date	12/4/2018		LC 241 1x8-32A DOL 3x230/460/575 PO	Cover Sheet	
				Drafter	JS			Page Number	1
				Approved	BK			Number of Pages	12
				Revision	005			Replacement of	Replaced By



# Feeder Circuit Protection:

Largest Motor FLA and  
Panel Maximum FLA:

**Feeder Circuit Protection to be Provided by Installer.  
Type and Size to be based upon Local, State, and  
National Electrical Codes.**

**SCCR Rating: 10 kA**

Motor Horsepower	
Motor FLA	32 A
Panel Max FLA	32.5 A

## Field Installed Options Wiring Requirements

Digital Inputs	20 to 14AWG 600V Copper Wire
Analog Inputs	20 to 14AWG 2 wire Shielded Cable
Digital Outputs (Dry Contacts)	20 to 14AWG 600V Copper Wire

## Wiring Sizes & Wiring Technical Characteristics

All Wire is 600V MTW Copper Wire  
Main Disconnect Switch to Power Distribution Block: 2/0AWG ... 10AWG based on Panel FLA  
Motor Supply Wire from Q1 .. Q4: 8AWG .. 14AWG based on FLA of Motor  
A-Y-B Cable for GENIbus connection: 3 x 18AWG 600V Shielded Cable

### Wire Color

BLU	+12/24VDC Power	BLUE
BLU/WHT	-12/24VDC Power	Blue/White
BLK	115VAC Primary Power	Black
WHT	115VAC Neutral	White
GRN/YEL	Ground/PE	Green/Yellow
ORG	Analog Inputs	Orange
ORG	Analog Outputs	Orange
PUR	Digital Inputs	Purple
PUR/WHT	Grounded for Digital Input	Purple/White
YEL	Digital Output	Yellow
BRN	All Other Wiring	Brown

NOTE:  
This drawing and its  
content is the property of  
GRUNDFOS. It may not  
be copied for third  
parties or competitors.  
Changes are only to  
be made by GRUNDFOS.

Date	12/4/2018
Drafter	JS
Approved	BK
Revision	005

**GRUNDFOS** 

LC 241 1x8-32A DOL 3x230/460/575 PO

99612814

Replacement of

Replaced By

General Information

Page Number 3

Number of Pages 12

Change Note

Date

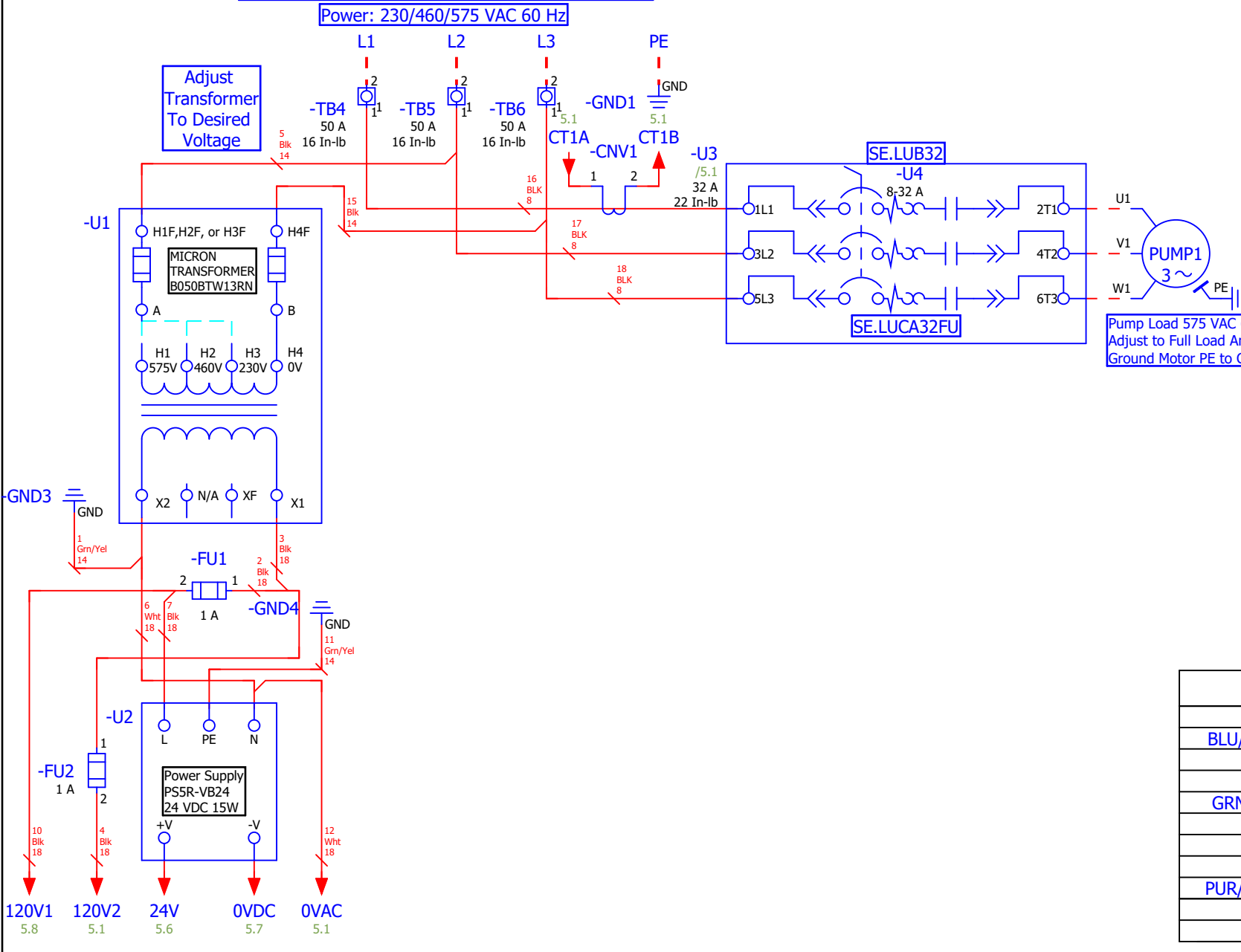
Name

Branch Circuit Protection Device/Disconnect Means  
Field Provided - Size per manufacturing specifications  
for Pump/Motor

FU1 & FU2 FUSE MUST BE REPLACED WITH  
1 AMP 5mmx20mm FAST ACTING 250V MAX

# Legend

---	Field Wiring
.....	Field Supplied
SW1	Test/Silence
LT	Beacon
B	Buzzer
CR	Control Relay
GND	Ground Lug
TB	Terminal Block
PLC	Grundfos PLC
U1	Transformer
U2	Power Supply
U3-U5	Lub Starter
U6	Phase Loss relay
HMI	HMI Interface

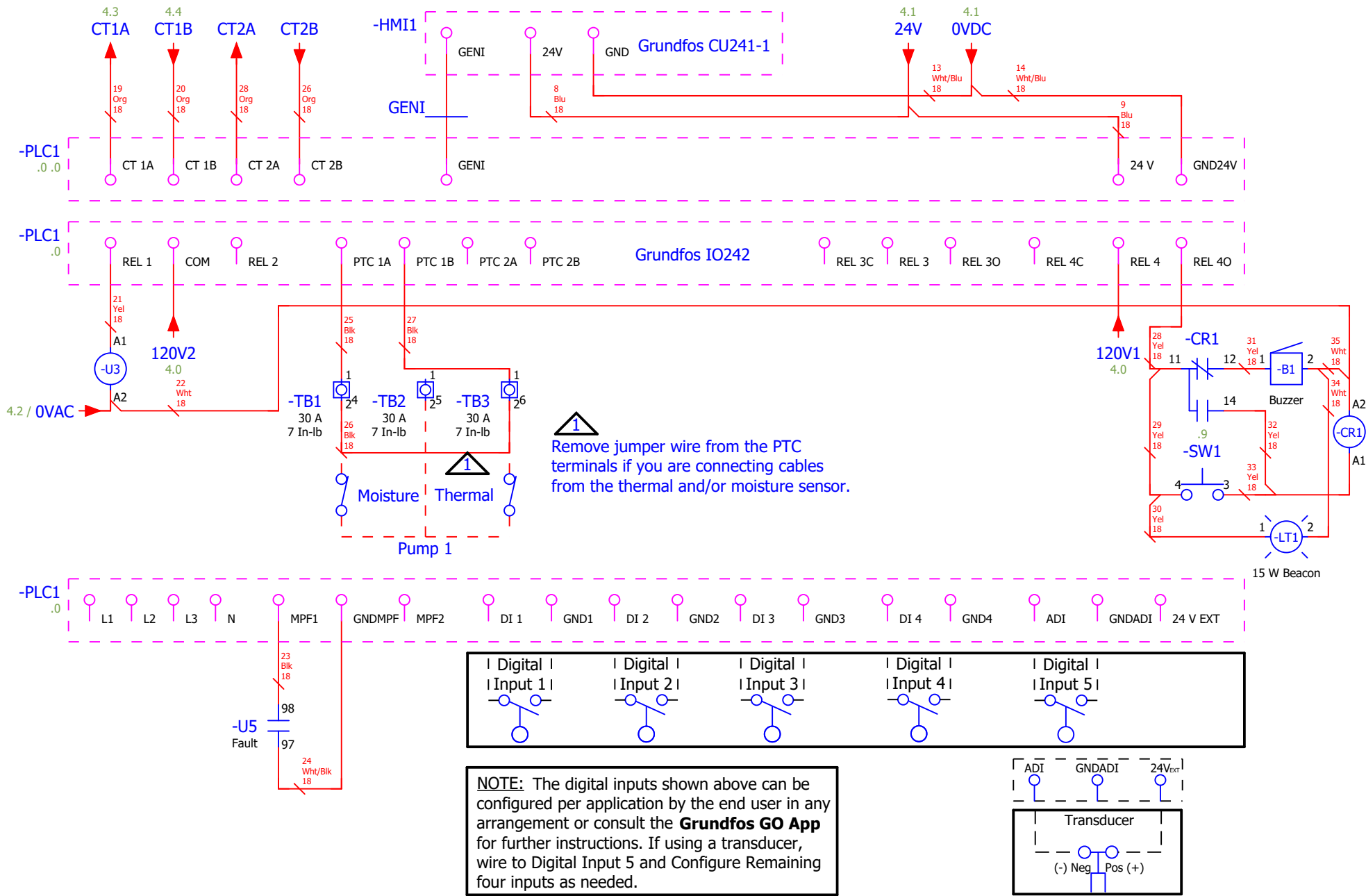


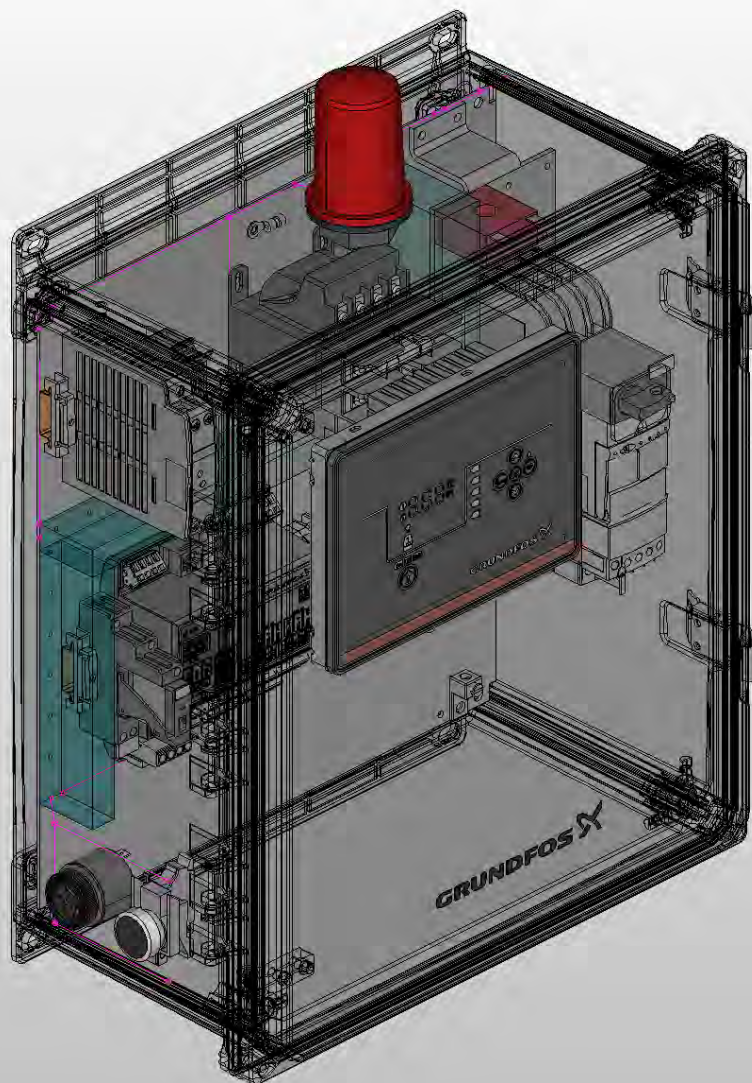
Pump Load 575 VAC 60 Hz 8-32 A  
Adjust to Full Load Amperes of Motor  
Ground Motor PE to Ground Lug

## Wire Color

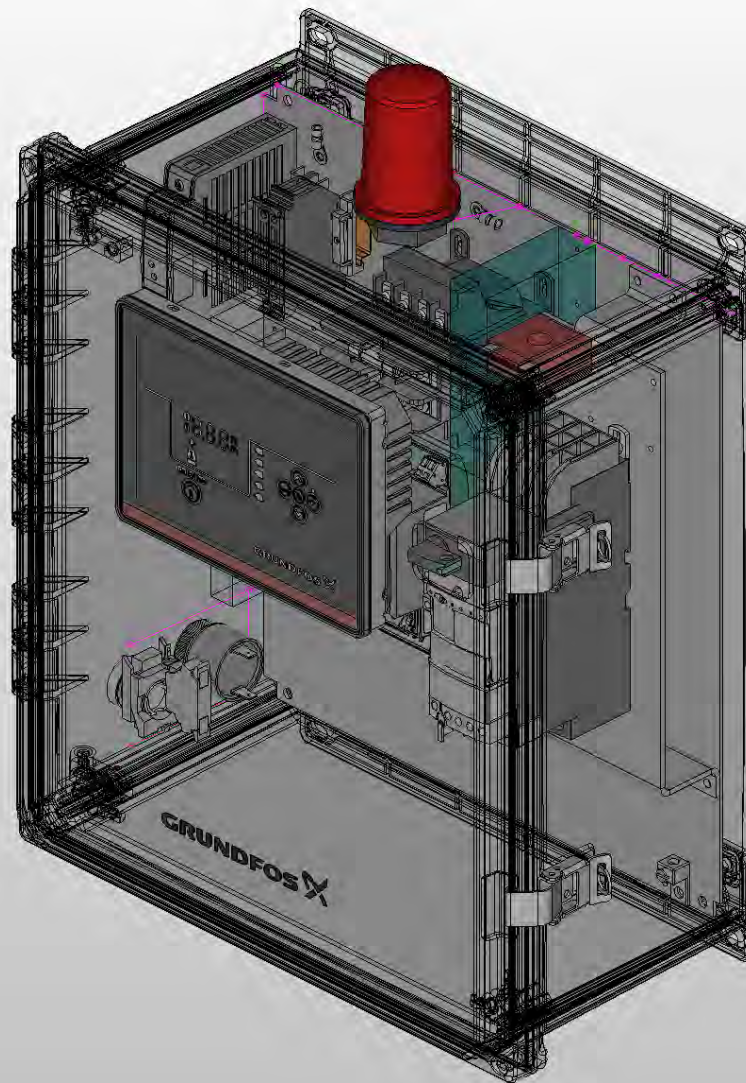
BLU	+12/24VDC Power
BLU/WHT	-12/24VDC Power
BLK	115VAC Primary Power
WHT	115VAC Neutral
GRN/YEL	Ground/PE
ORG	Analog Inputs
ORG	Analog Outputs
PUR	Digital Inputs
PUR/WHT	Grounded for Digital Input
YEL	Digital Output
BRN	All Other Wiring

Change Note	Date	Name	NOTE: This drawing and its content is the property of GRUNDFOS. It may not be copied for third parties or competitors. Changes are only to be made by GRUNDFOS.	Date	12/4/2018		LC 241 1x8-32A DOL 3x230/460/575 PO	Power Circuit	
			Date	12/4/2018	99612814		Page Number	4	
			Revision	005	Replacement of		Replaced By	Number of Pages	12





Enclosure

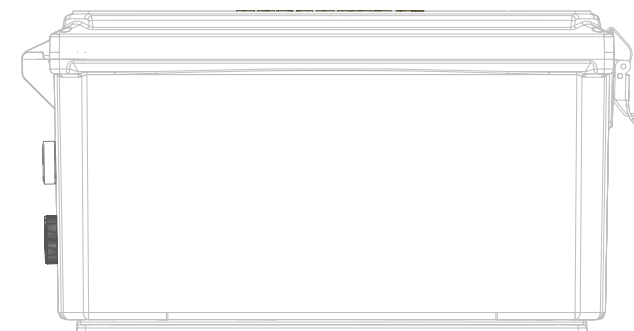
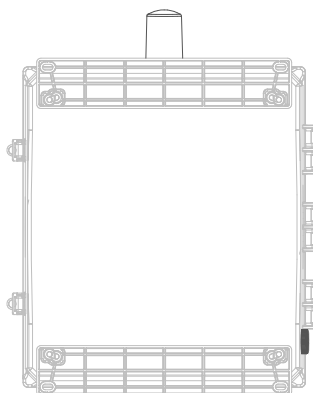
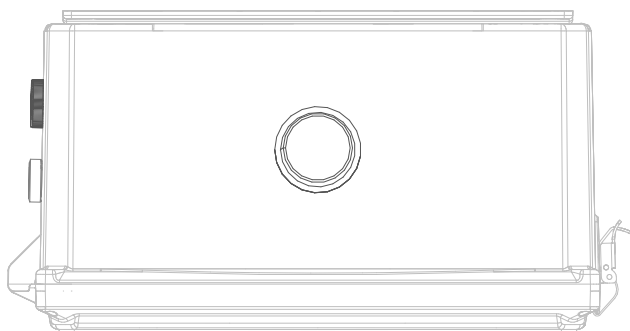
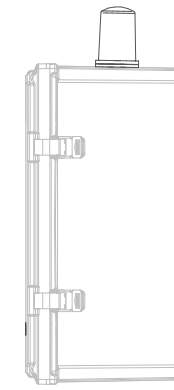
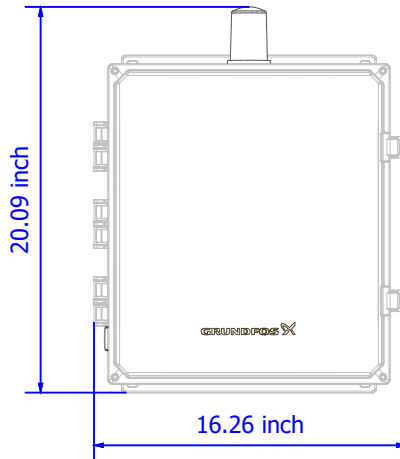
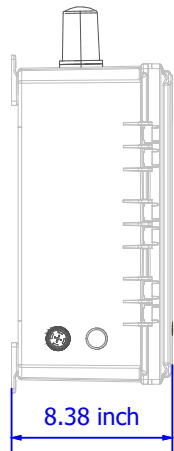


Enclosure

5

9

			NOTE: This drawing and its content is the property of GRUNDFOS. It may not be copied for third parties or competitors. Changes are only to be made by GRUNDFOS.	Date	12/4/2018	<b>GRUNDFOS</b> 	LC 241 1x8-32A DOL 3x230/460/575 PO		Enclosure		
				Drafter	JS		99612814	Replacement of		Page Number	8
Change Note	Date	Name		Approved	BK			Replaced By		Number of Pages	12
				Revision	005						



NOTE:  
This drawing and its  
content is the property of  
GRUNDFOS. It may not  
be copied for third  
parties or competitors.  
Changes are only to  
be made by GRUNDFOS.

Date	12/4/2018
Drafter	JS
Approved	BK
Revision	005



LC 241 1x8-32A DOL 3x230/460/575 PO

99612814

Replacement of

Replaced By

Enclosure Perspective

Page Number 9

Number of Pages 12

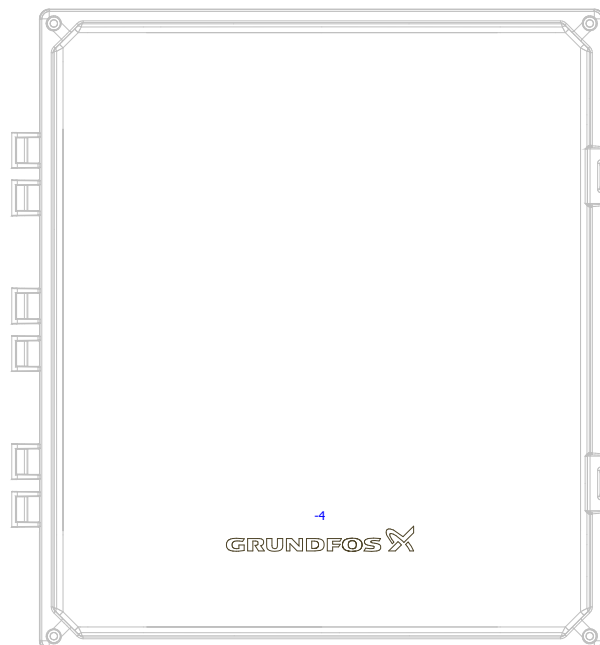
Change Note

Date

Name

# Enclosure legend

Device tag	Description
ENCL1	
4	Label, Grundfos Panel, 250mm



Door Layout

9

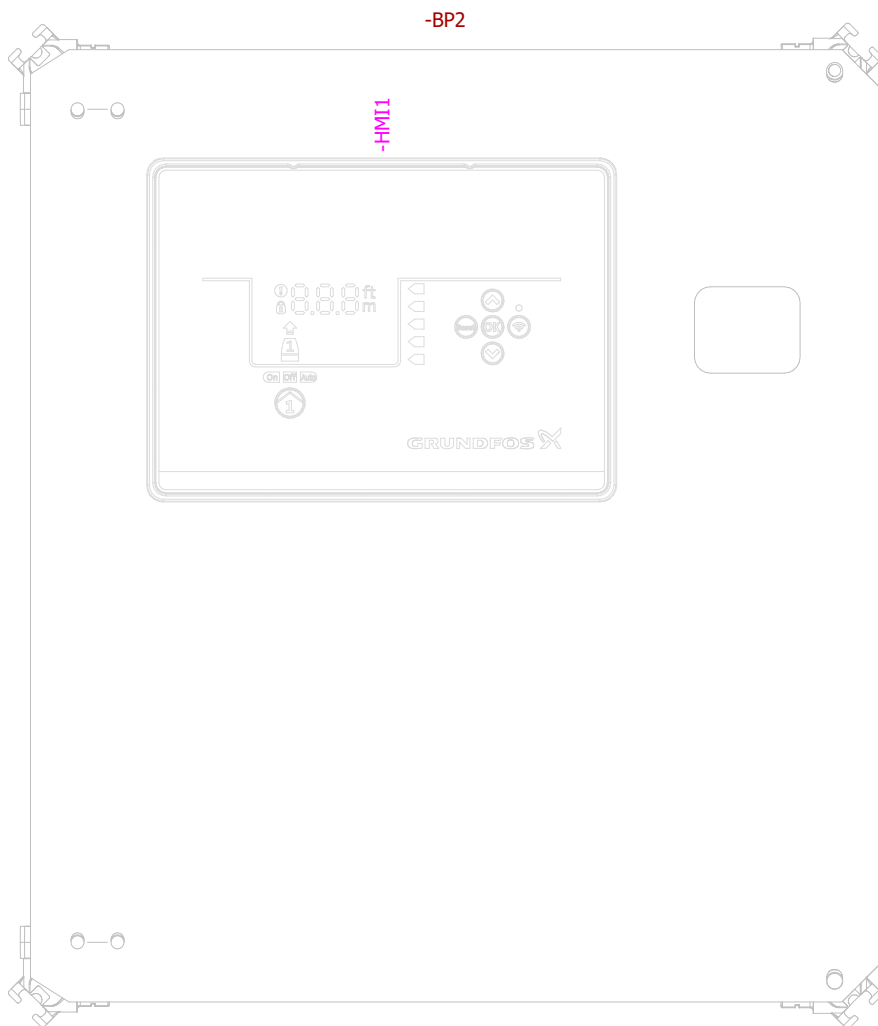
11

			NOTE: This drawing and its content is the property of GRUNDFOS. It may not be copied for third parties or competitors. Changes are only to be made by GRUNDFOS.	Date	12/4/2018		LC 241 1x8-32A DOL 3x230/460/575 PO	Door Layout	
				Drafter	JS			Page Number	10
				Approved	BK		99612814	Number of Pages	12
Change Note	Date	Name		Revision	005		Replacement of	Replaced By	



# Enclosure legend

Device tag	Description
BP2	Inner Door, DaYu, 16"x14" Simplex
HMI1	HMI, CU241-1 Grundfos



Mounting Panel Layout

NOTE:  
This drawing and its  
content is the property of  
GRUNDFOS. It may not  
be copied for third  
parties or competitors.  
Changes are only to  
be made by GRUNDFOS.

Date	12/4/2018
Drafter	JS
Approved	BK
Revision	005

**GRUNDFOS** X

LC 241 1x8-32A DOL 3x230/460/575 PO

99612814

Replacement of

Replaced By

Mounting Panel Layout

Page Number

11

Number of Pages

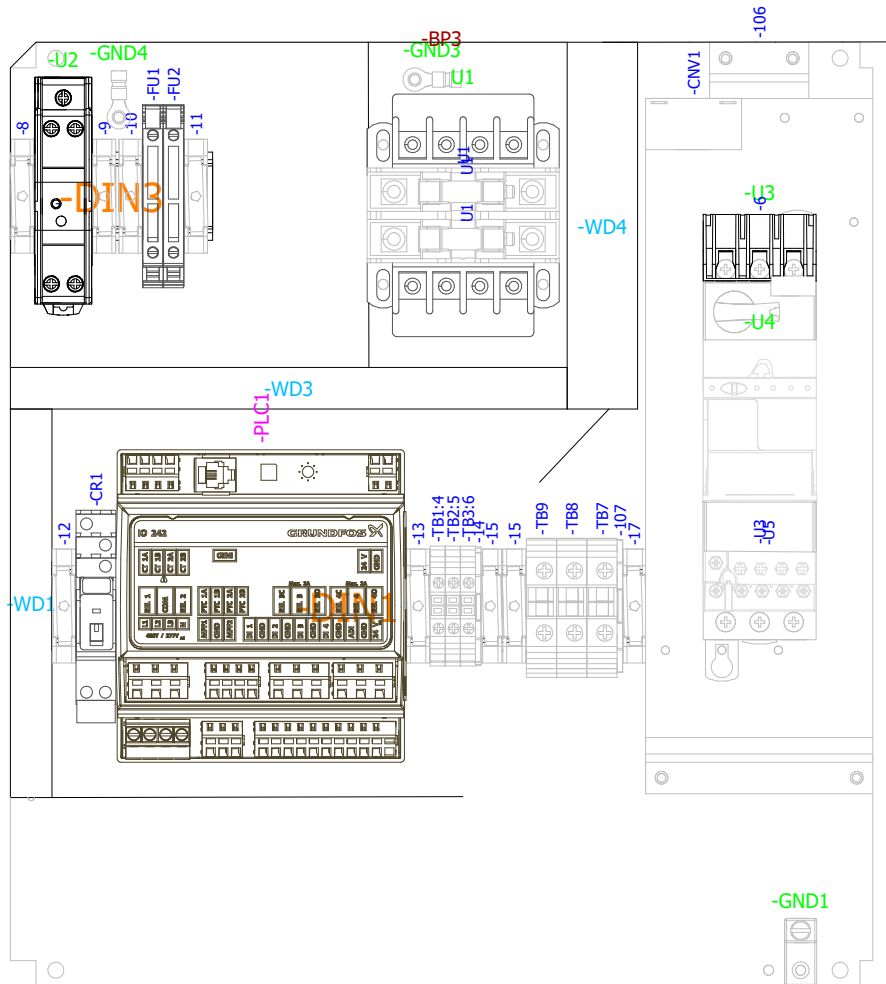
12

Change Note

Date

Name

# Enclosure legend



Device tag	Description
DIN1	Rail Din, Steel, Low
WD1	Duct, Wire, 0.5" x 1.5", WHT
12	Din Rail, End Stop
17	Din Rail, End Stop
8	Din Rail, End Stop
11	Din Rail, End Stop
10	Din Rail, End Stop
9	Din Rail, End Stop
U2	Power Supply, IDEC, 24 VDC,15W
GND1	Lug, Ground
13	Din Rail, End Stop
TB1	Terminal Block 30A, SE
TB2	Terminal Block 30A, SE
TB3	Terminal Block 30A, SE
14	Block, End Barrier,30/50/65A,SE
15	Din Rail, End Stop
15	Din Rail, End Stop
GND3	
U1	Transformer 50VA,230/460/575:115
U1	
U1	Fuse, Primary, FNQR, 4/10A
U1	Fuse, Primary, FNQR, 4/10A
GND4	
U3	Motor Starter, Tele, LUB32
U3	
CNV1	Transformer Current, SIRIO, 152035
FU1	Fuse 5mm x 20mm, 1 Amp
FU2	Fuse 5mm x 20mm, 1 Amp
6	Phase Sperator Lub
U4	Motor Starter Overload,LUCA32, 8-32A
U5	Motor Starter Tele, Aux. Cont, LU
PLC1	IO242 Basic
BP3	Backplate, Grundfos, DaYu, 16X14
DIN3	Rail Din, Steel, Low
WD3	Duct, Wire, 0.5" x 1.5", WHT
WD4	Duct, Wire, 1" x 3", WHT
106	Bracket ,Standoff,DaYu,3P,LUB
CR1	PA, Relay, S.E. Mech Flag, Int, 120V, SPDT
TB7	Terminal Block 85A, SE
TB8	Terminal Block 85A, SE

Mounting Panel Layout

Change Note		Date	Name	NOTE: This drawing and its content is the property of GRUNDFOS. It may not be copied for third parties or competitors. Changes are only to be made by GRUNDFOS.	Date	12/4/2018	<b>GRUNDFOS</b> 	LC 241 1x8-32A DOL 3x230/460/575 PO		Mounting Panel Layout		
				Drafter	JS			99612814		Page Number		12
				Approved	BK			Replacement of		Replaced By		Number of Pages
				Revision	005							

# Summarized Parts List

Device Tag	Quantity	Length (In)	Part Description	ERP #	Manufacturer	Part Number
-2	1		Pilot, Pushbutton Operator		Schneider Electric	ZB4BA2
-3	1		Collar, Pilot		Schneider Electric	ZB4BZ009
-4	1		Label, Grundfos Panel, 250mm		SMT Graphics	1002608
-6	1		Phase Seperator Lub		Schneider Electric	LU9SP0
-8...-13;-15;-17	9		Din Rail, End Stop		IDEC	BNL-5
-14	1		Block, End Barrier,30/50/65A,SE		Schneider Electric	NSYTRAC22
-106	1		Bracket ,Standoff, DaYu,3P,LUB		Alderon	1002607
-107	1		Block, End Barrier, 85A, SE		Schneider Electric	NSYTRAC162
-B1	1		Buzzer,120V,Warble,95DB		Ingram	PB-120A
-BP2	1		Inner Door, DaYu, 16"x14"Simplex		Alderon	1002600
-BP3	1		Backplate, Grundfos, DaYu, 16X14		Alderon Industries	1003899
-CNV1	1		Transformer Current, SIRIO, 152035		SIRIO	DT152035-2303
-CR1	1		Relay, S.E. Int, MF, 120V, SPDT		Schneider Electric	RXG11F7
-CR1	1		Relay SE, 1 Pole Socket		Schneider Electric	RGZE1S35M
-CR1	1		Relay, S.E. Int, Label Plate		Schneider Electric	RSZL300
-DIN1;-DIN3	2	12.413	Rail Din, Steel, Low		Wago	210-112
-ENCL1	1		Enclosure, Integra, Premium, 16x14x7		Integra Enclosures	H161407HLL
-FU1;-FU2	2		Terminal box Fuse, SE		Schneider Electric	NSYTRV42SF5
-FU1;-FU2	4		Fuse, 5mm X 20mm, 1A		Littlefuse	F2677-ND
-GND1	1		Lug, Ground		Burndy	KA6U
-HMI1	1		HMI, CU241-1 Grundfos		Grundfos	CU241-1
-LT1	1		Beacon, 15W, One Hole, Red		AC/DC	R15-MB
- PARTS	1		Enclosure , Inner Door Hinge Kit		Integra Enclosures	USOPK-G
- PARTS	1		Connect Cable, Grundfos Genie		Grundfos	1003520
- PARTS	1		Label, Grundfos, DaYu, 1Pump		SMT Graphics	1002906
- PARTS	1		Kit, Label ,Grundfos, DaYu, Alm, P1, P2		SMT Graphics	1002905
- PARTS	2		Label , Laminated Schematics		Alderon	1001997
- PARTS	1		Label Ratings		AWT Labels &	1003595
- PARTS	1		Label Conduit		AWT Labels &	1000122
- PARTS	1		I and O instructions , Print Package			1003594
- PARTS	12		Screw Phillips ,6x1/2, Self Drill		B & F Fastener Supply	PTEKF2 006 0050 PH
- PARTS	8		Screw Phillips, 6x3/4, Self Drill		B & F Fastener Supply	D6-075PSDZ
- PARTS	8		Screw Hex, 8x1/2, Self Drill		B & F Fastener Supply	HTEKF2 008 0050
- PARTS	2		Screw Pan,10-32x1/2,Phillip,TC		B & F Fastener Supply	PTCSF 102 0050 PH
- PARTS	1		Label UL 508, USA and Canada		Underwriters	508-S1844
- PARTS	1		Carton, 26 x 20 x 14		U-Line	S-18371
- PARTS	1		Label, Grundfos, DaYu, TB, S32A, 575V		SMT Graphics	1002939
-PLC1	1		IO242 Basic		Grundfos	IO242
-SW1	1		Contact Block Pilot, NO		Schneider Electric	ZBE1015
-TB1...-TB3	3		Terminal Block 30A, SE		Schneider Electric	NSYTRV42
-TB4...-TB6	3		Terminal Block 50A, SE		Schneider Electric	NSYTRV62
-TB7...-TB9	3		Terminal Block 85A, SE		Schneider Electric	NSYTRV162
-U1	1		Transformer 50VA,230/460/575:115		Micron	B050BTW13RN

Change Note	Date	Name	NOTE: This drawing and its content is the property of GRUNDFOS. It may not be copied for third parties or competitors. Changes are only to be made by GRUNDFOS.	Date	12/4/2018		LC 241 1x8-32A DOL 3x230/460/575 PO	Summarized Parts List		
			Drafter	JS	99612814		Replacement of	Replaced By	Page Number	13
			Approved	BK					Number of Pages	12
			Revision	005						

# Summarized Parts List

Device Tag	Quantity	Length (In)	Part Description	ERP #	Manufacturer	Part Number
U1	2		Fuse, Primary, FNQR, 4/10A		Bussman	FNQR-4/10
-U2	1		Power Supply, IDEC, 24 VDC,15W		IDEC	PS5R-VB24
-U3	1		Motor Starter, Tele, LUB32		Schneider Electric	LUB32
-U4	1		Motor Starter Overload,LUCA32, 8-32A		Schneider Electric	LUCA32FU
-U5	1		Motor Starter Tele, Aux. Cont, LU		Schneider Electric	LUA1C20
-WD1;-WD3	2	14.771	Duct, Wire, 0.5" x 1.5", WHT		Canalplast	L0515G
-WD4	1	5.731	Duct, Wire, 1" x 3", WHT		Canalplast	H13W

13

Change Note	Date	Name	NOTE: This drawing and its content is the property of GRUNDFOS. It may not be copied for third parties or competitors. Changes are only to be made by GRUNDFOS.	Date	12/4/2018		LC 241 1x8-32A DOL 3x230/460/575 PO	Summarized Parts List		
				Drafter	JS		99612814	Page Number	14	
				Approved	BK		Replacement of	Replaced By	Number of Pages	12
				Revision	005					

