

# Hydro Multi-E

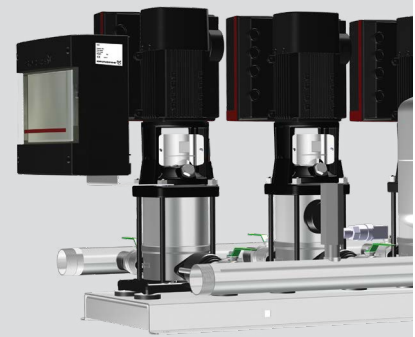
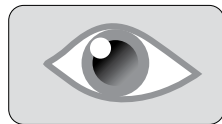
## CR(I)E

 GRUNDFOS  
PRESSURE BOOSTING

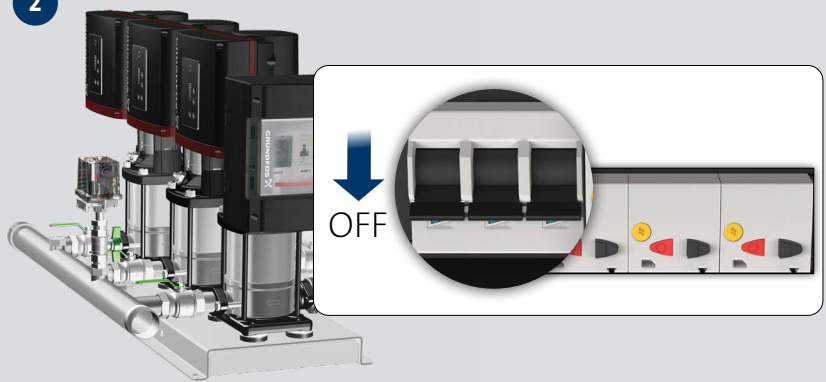




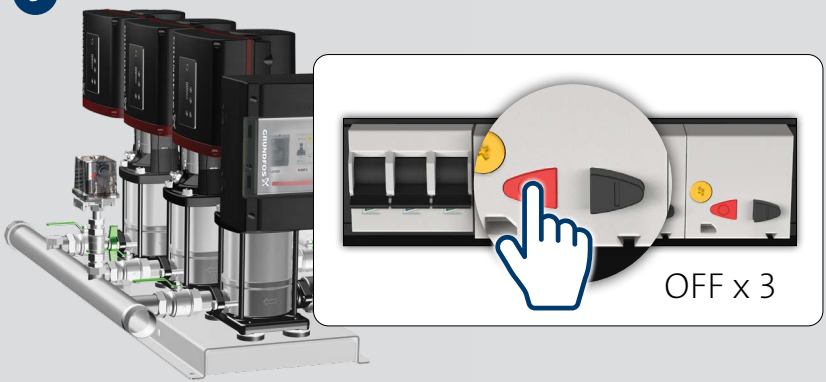
1



2



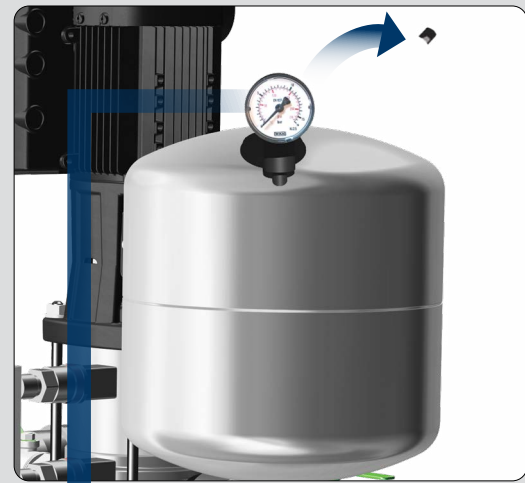
3



4

Factory settings	
Date	Setting (SP)

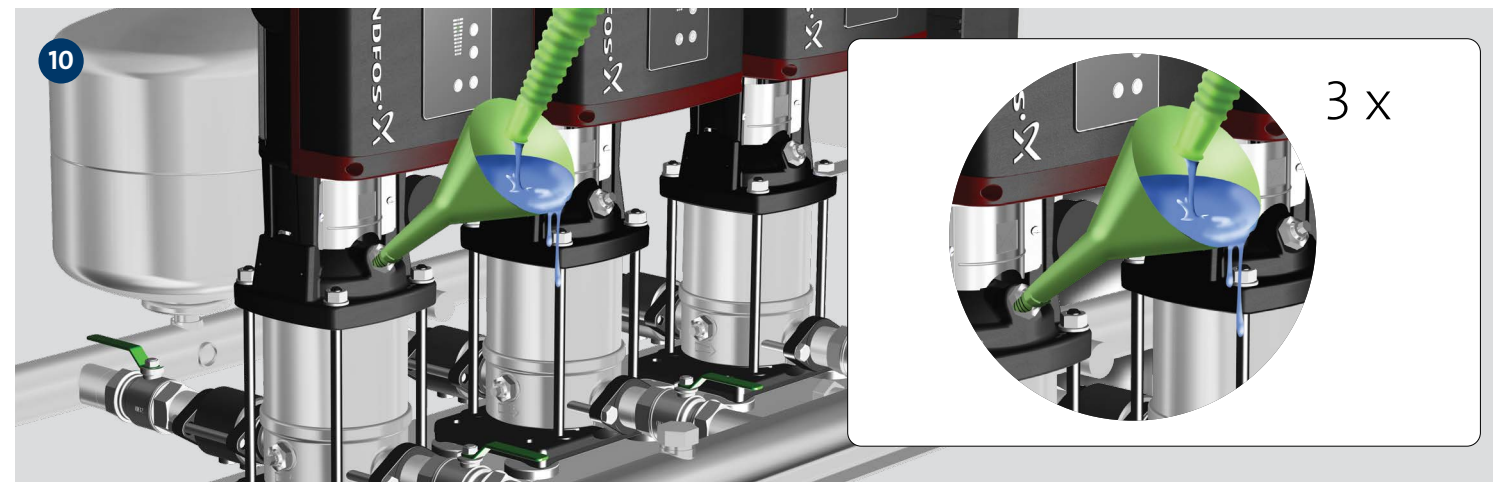
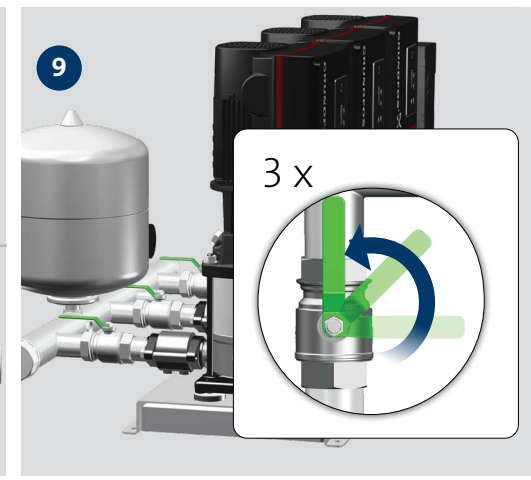
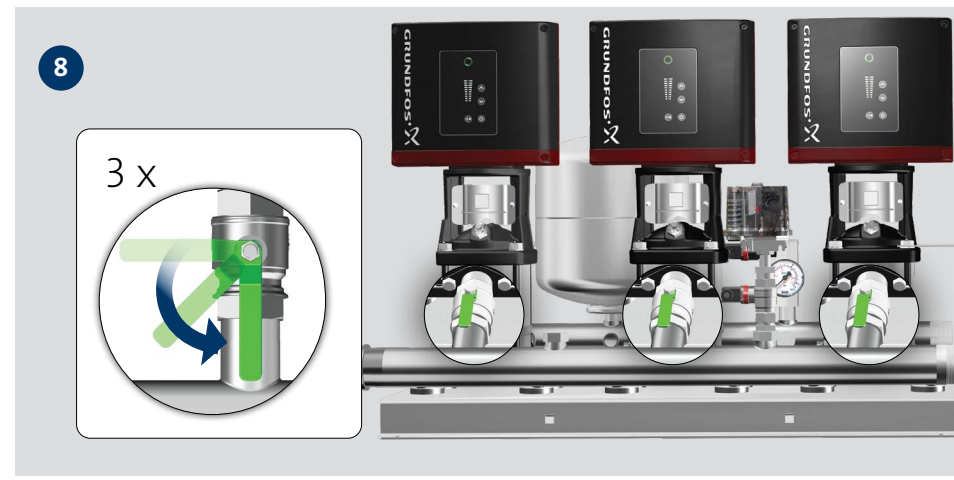
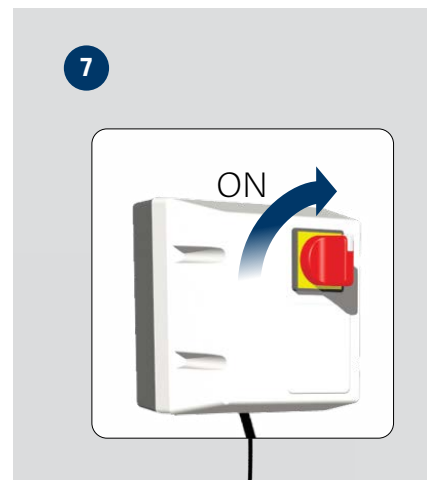
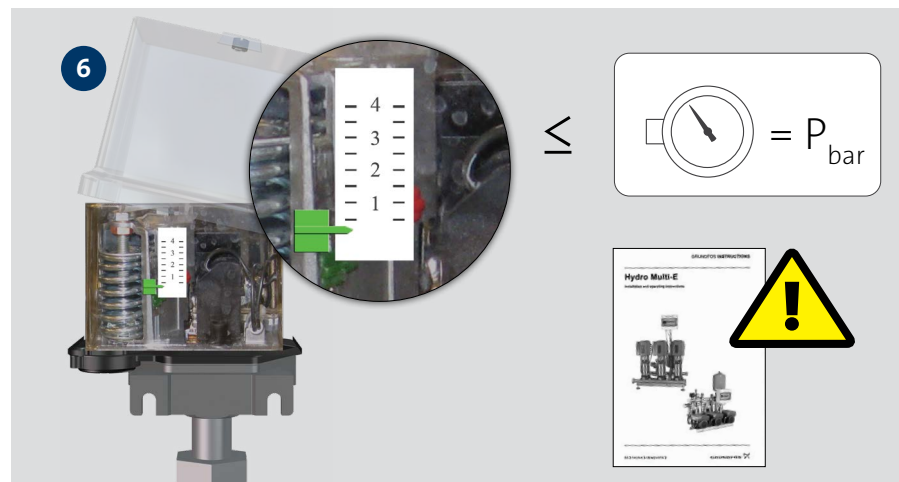
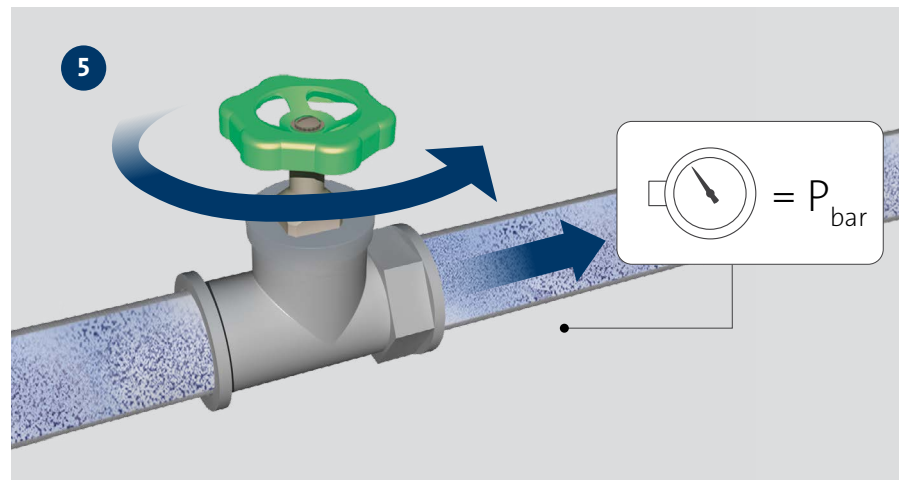
Customer settings		
Date	Setting (SP)	Initials

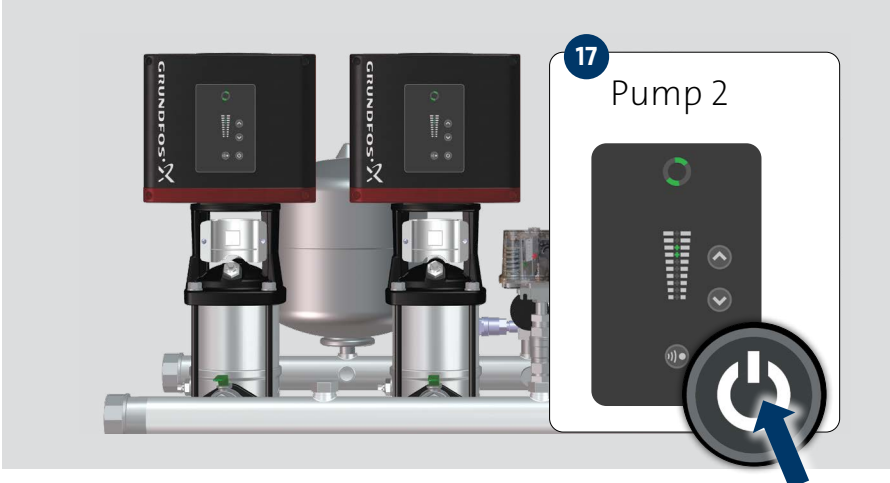
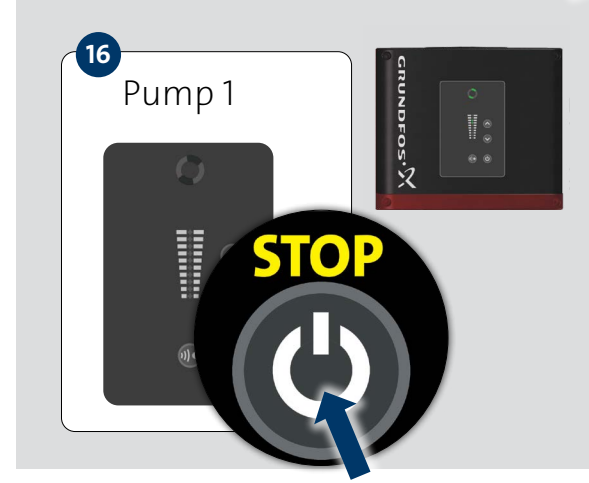
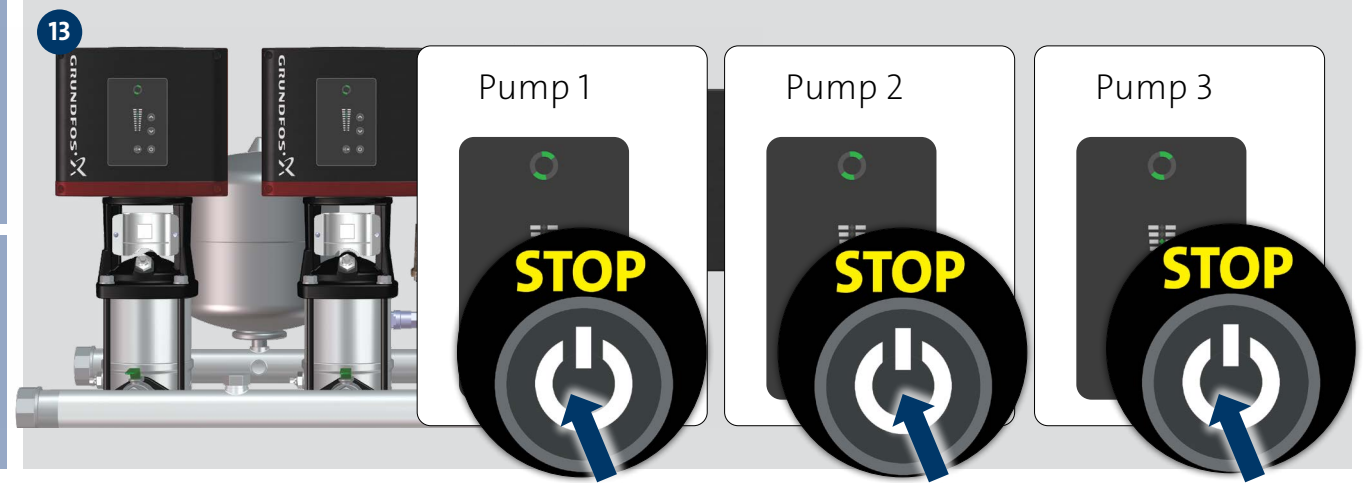
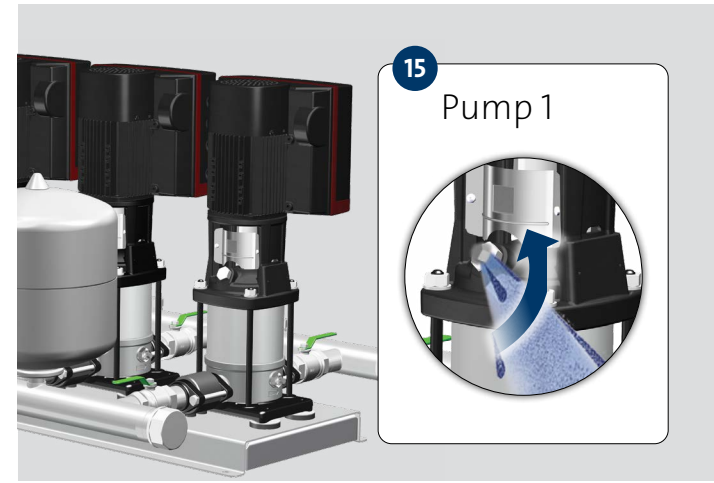
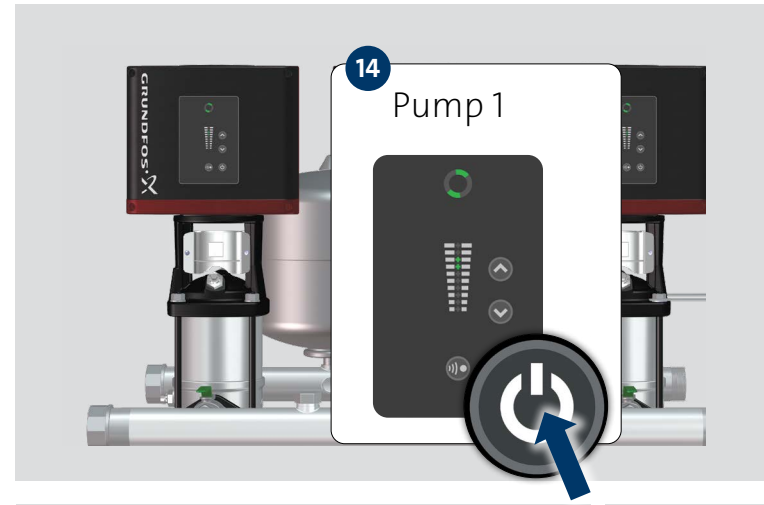


$P = 0.7 \times \text{SP}$

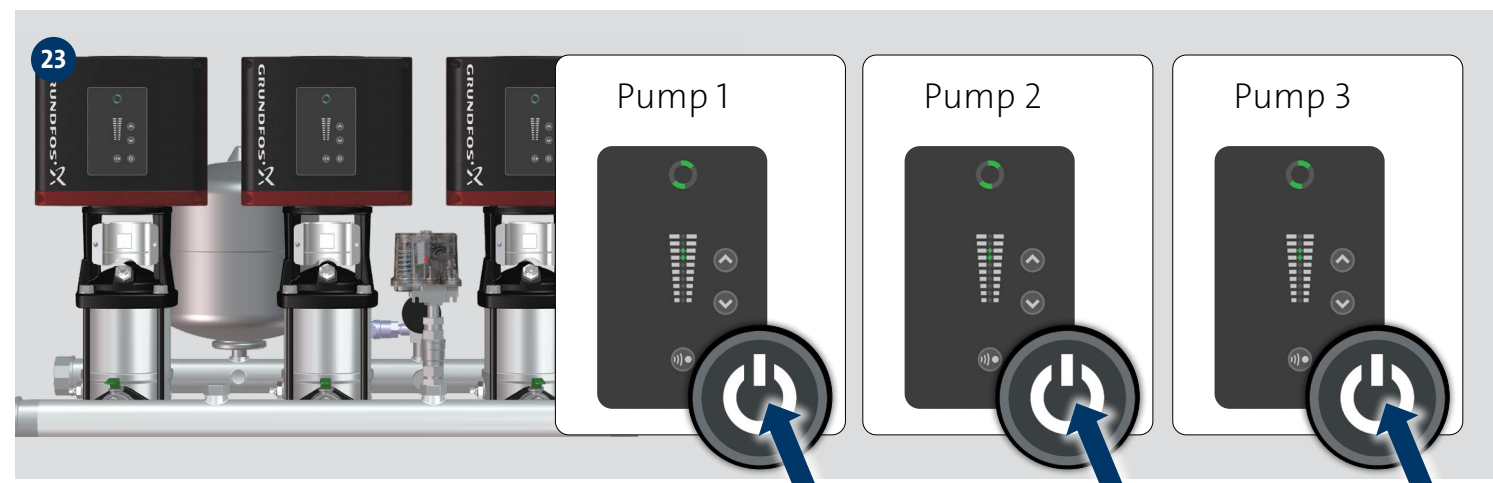
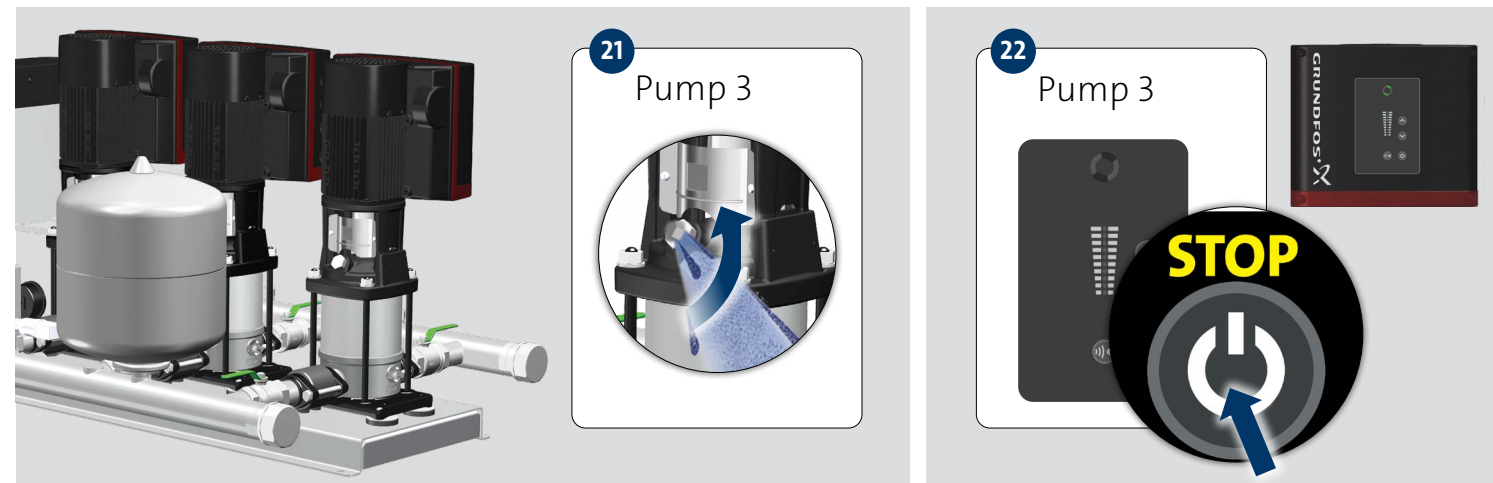
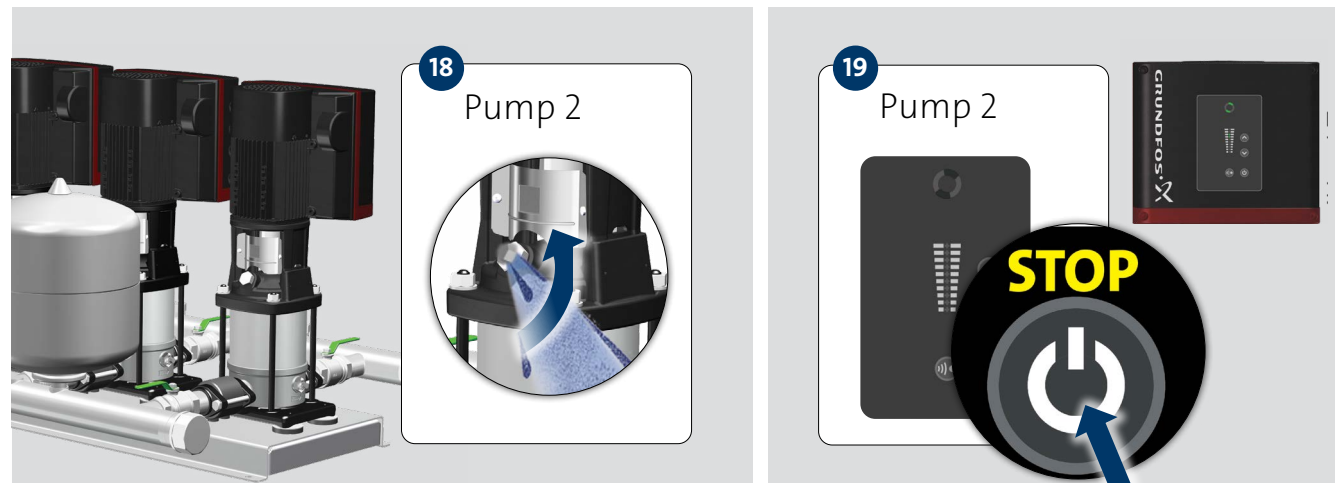
$P = 0 \text{ bar}$





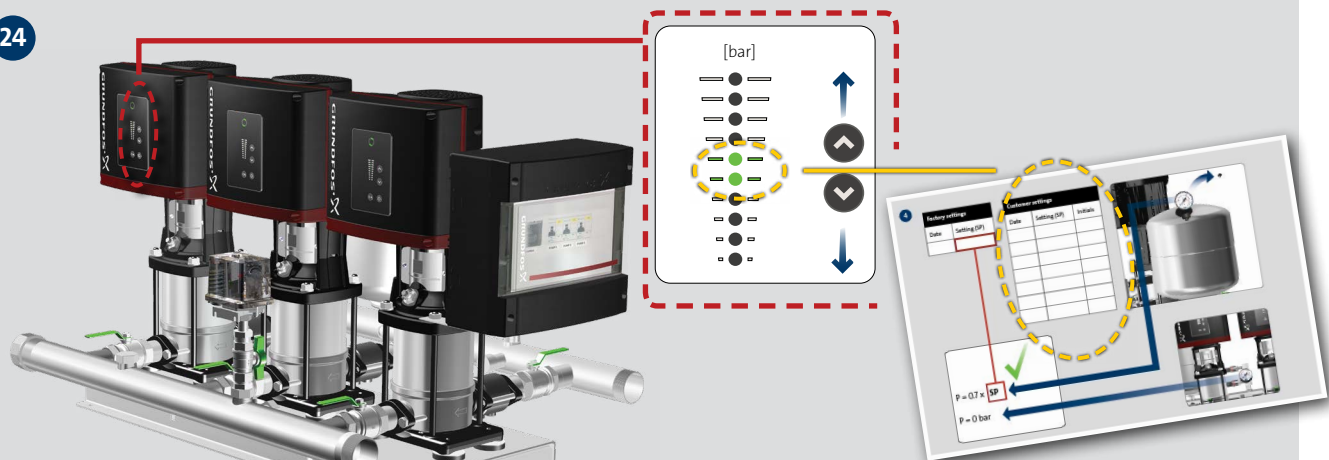




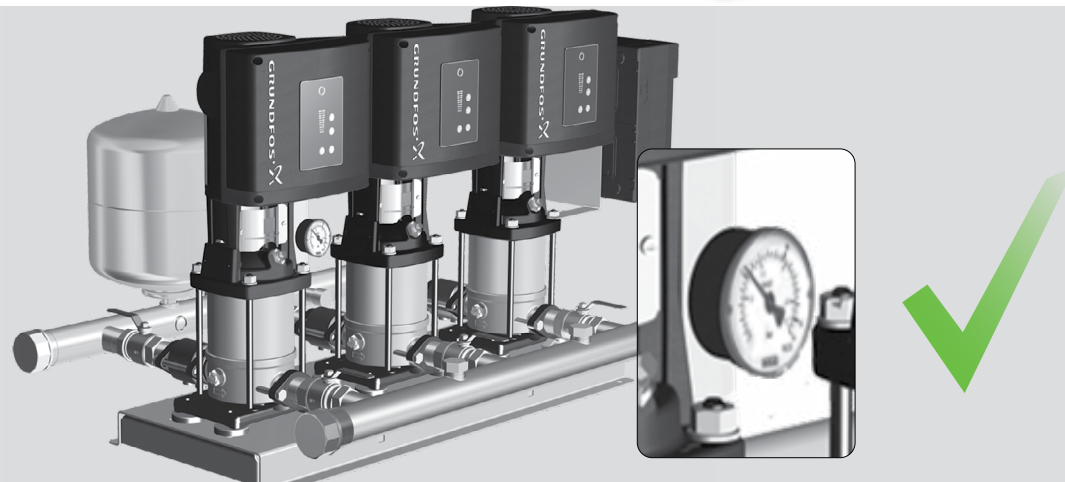




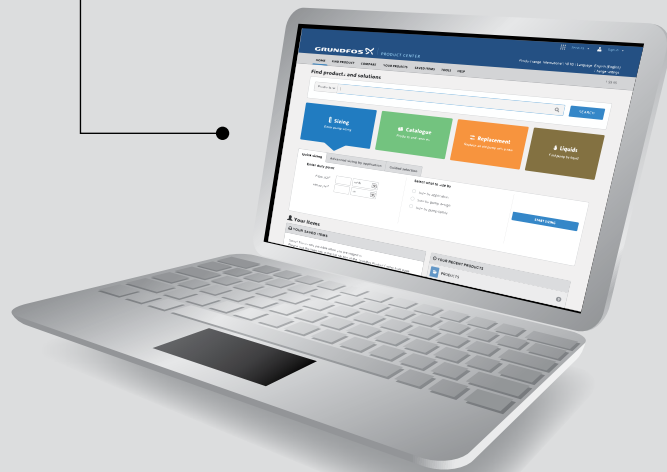
24



25



INSTALL



98477592 10.2021

ECM: 1324592

be think innovate

**GRUNDFOS** 

The name Grundfos, the Grundfos logo, and the phrase be think innovate, are registered trademarks owned by Grundfos Holding A/S or Grundfos A/S, Denmark. All rights reserved worldwide.