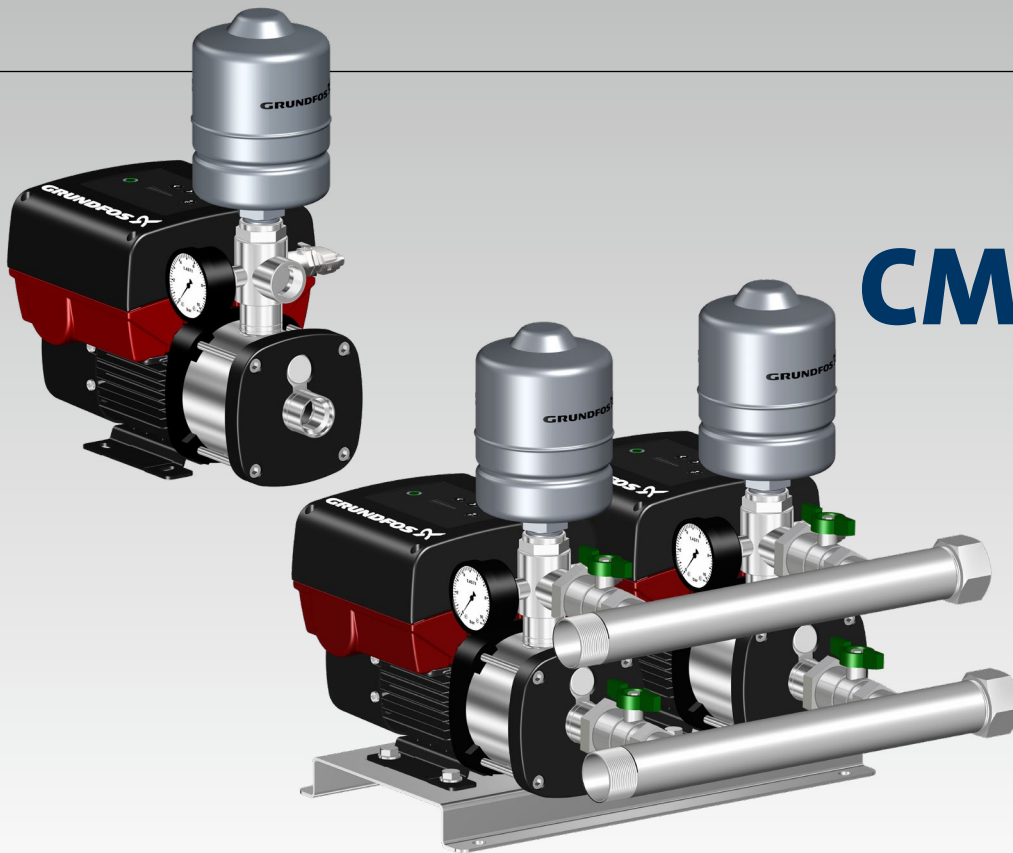


CMBE CMBE TWIN



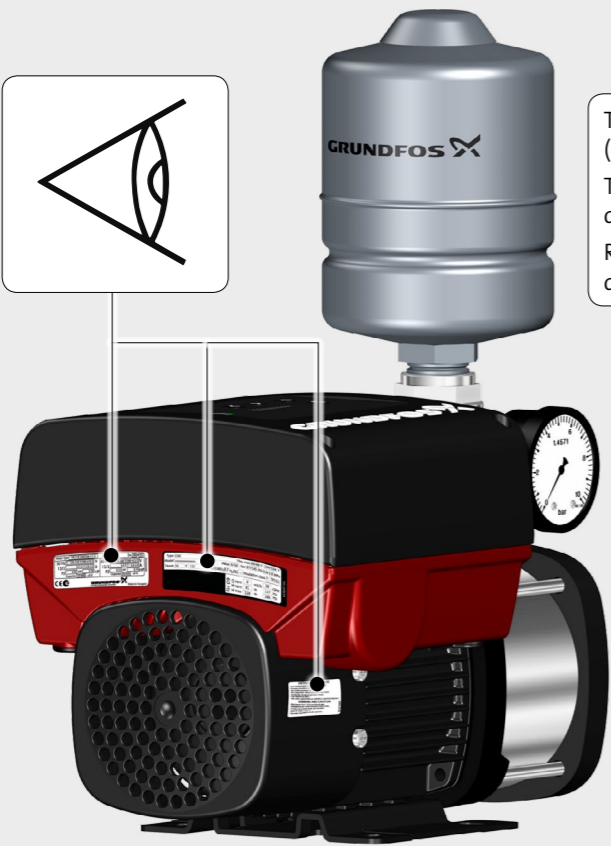
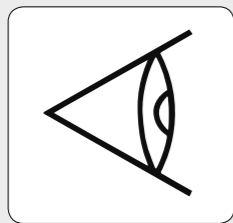
Further product documentation
net.grundfos.com/qr/i/99455055

be
think
innovate

GRUNDFOS 



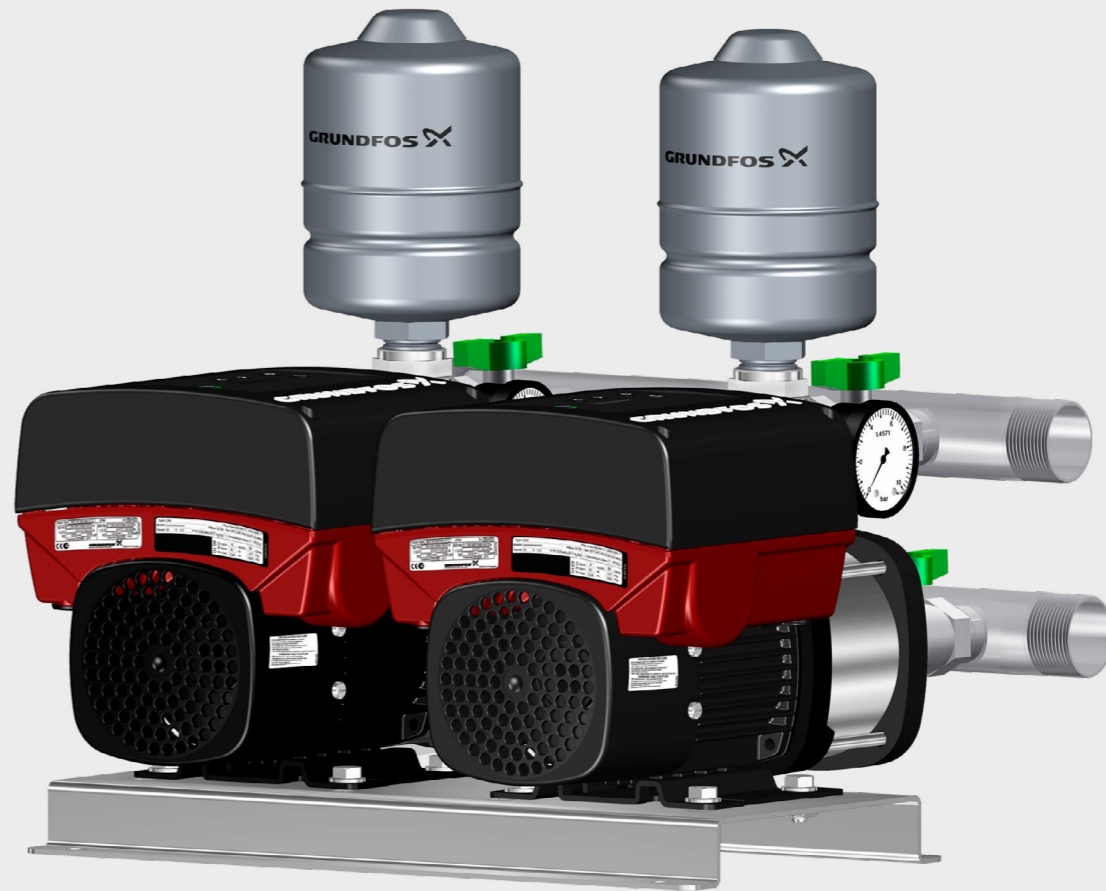
1



Tank precharge 70 % of setpoint pressure (discharge pressure).

Tanque precargado al 70 % del punto de operación (presión de descarga).

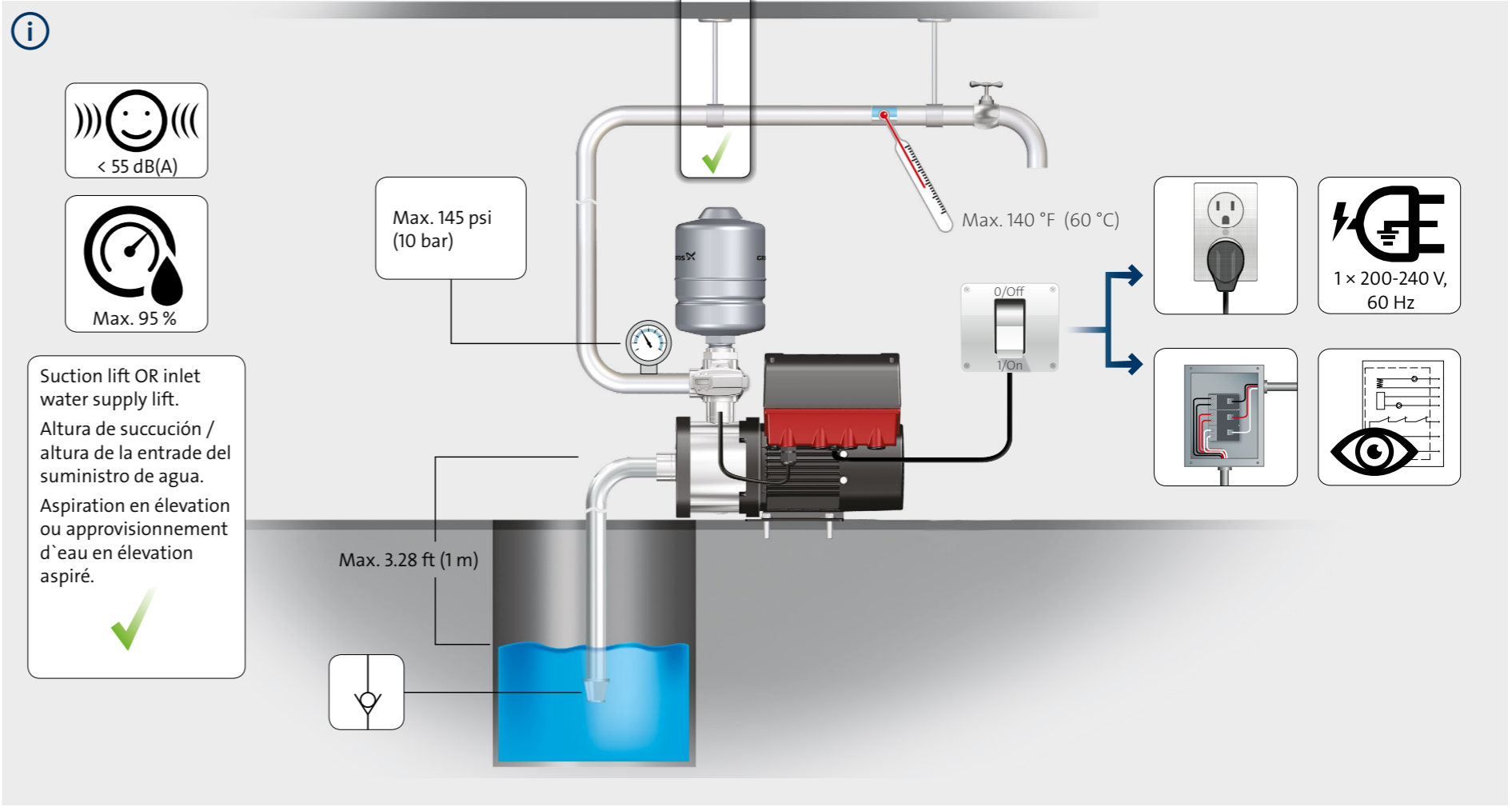
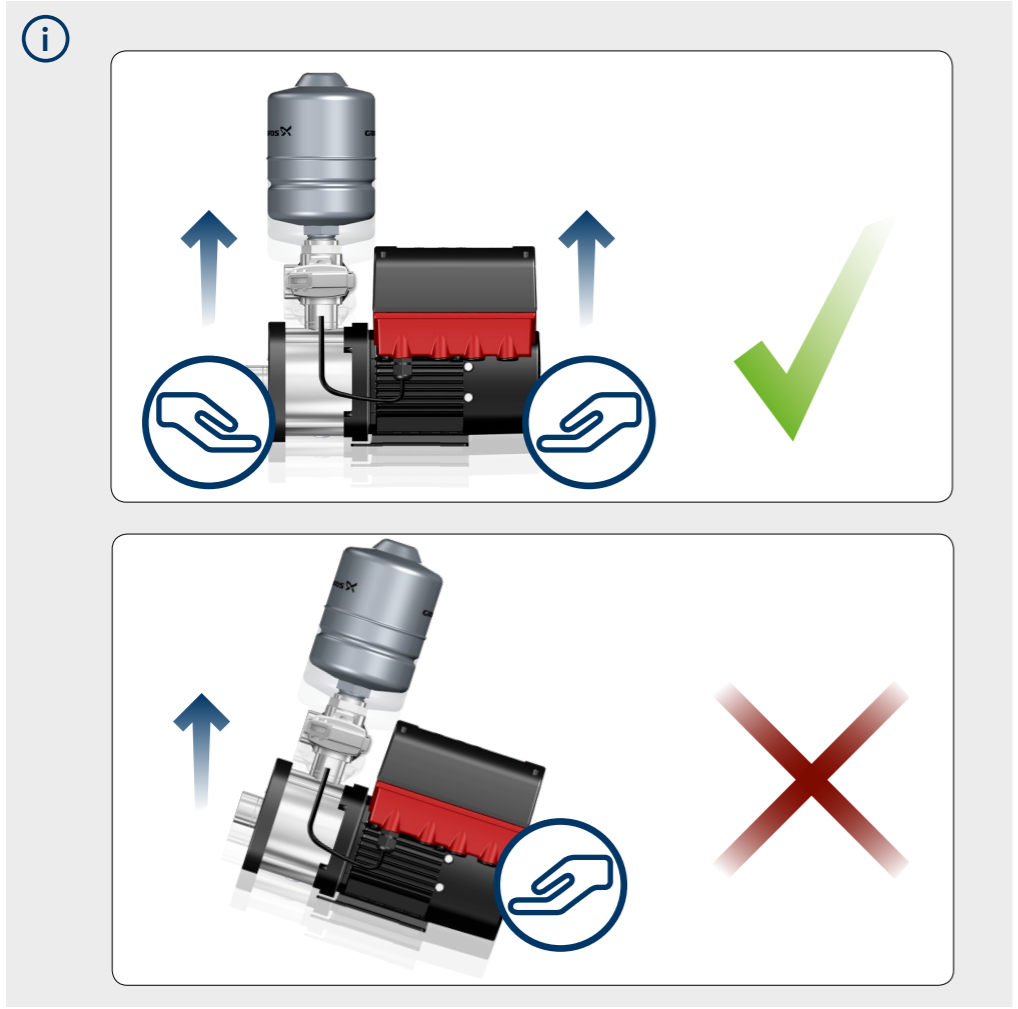
Réservoir préchargé à 70 % de la pression de consigne (pression de refoulement).



Max.

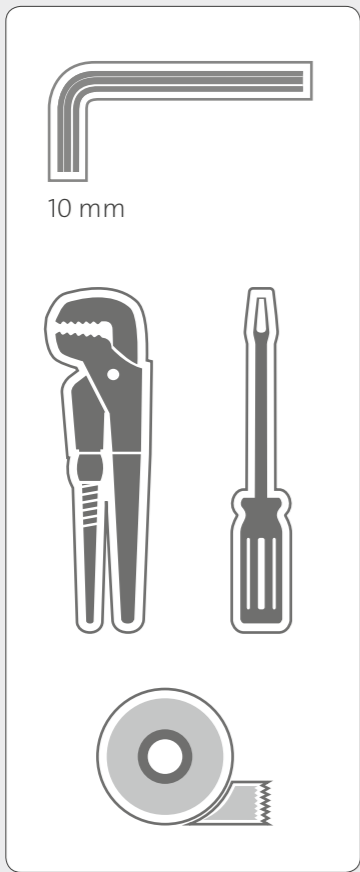
122° F (50 °C)



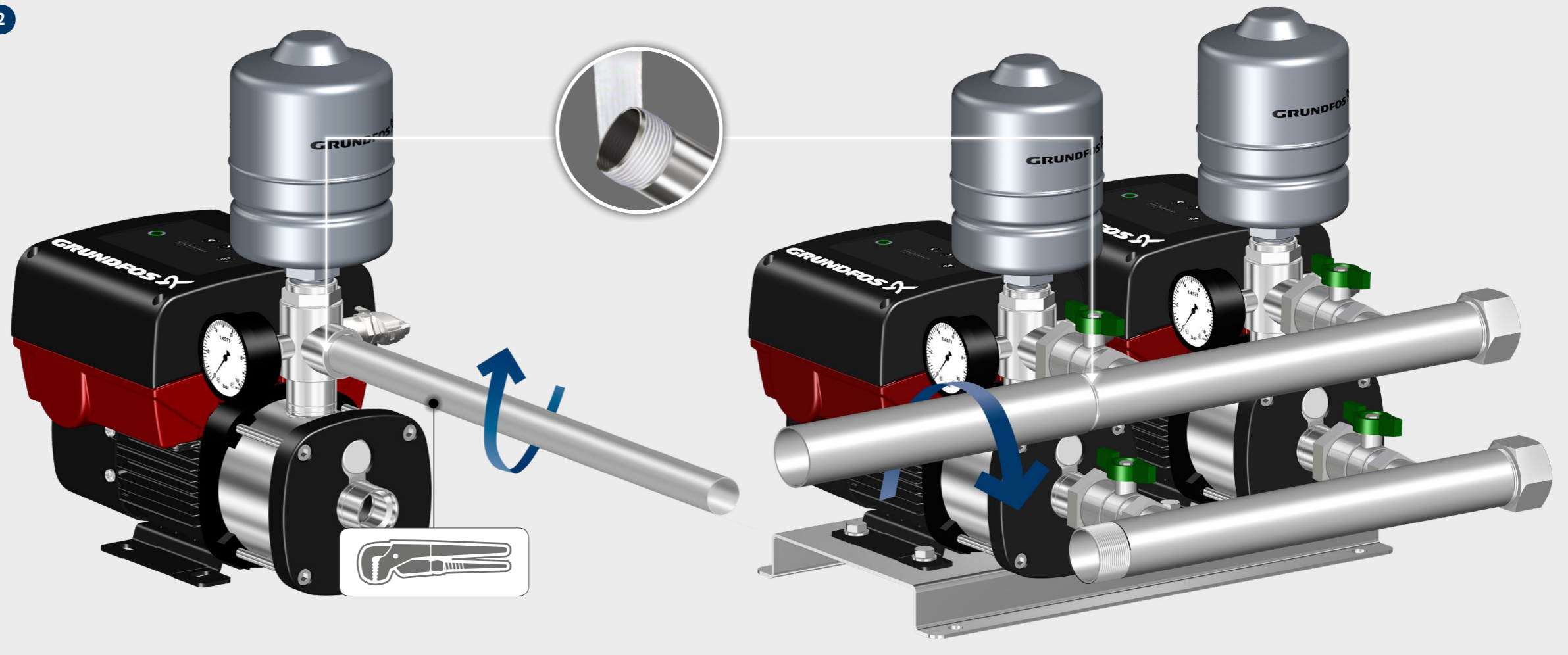




i

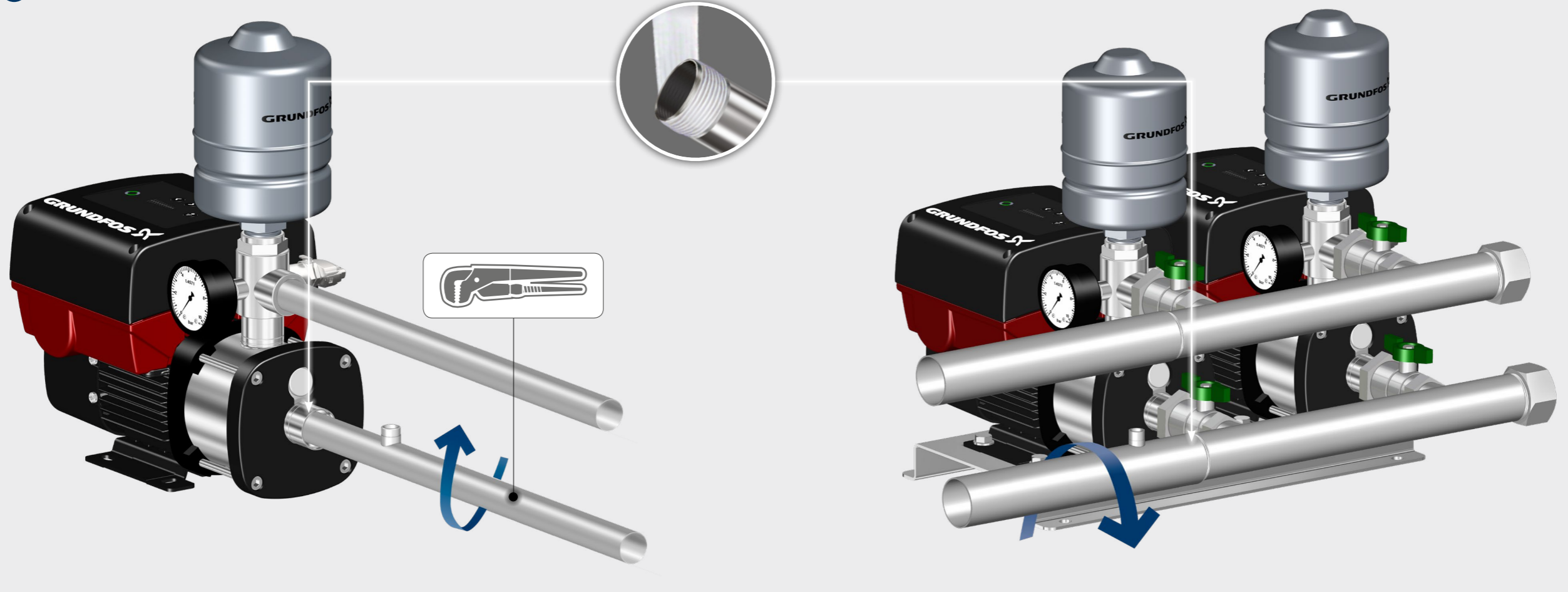


2

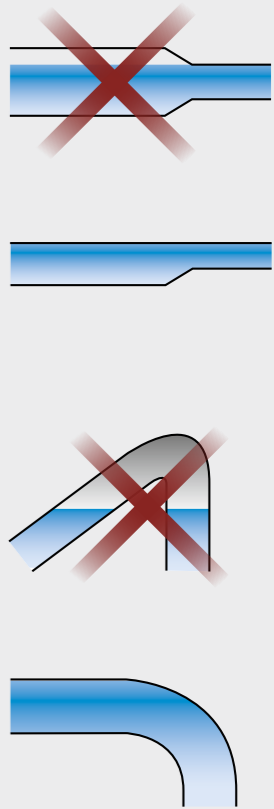


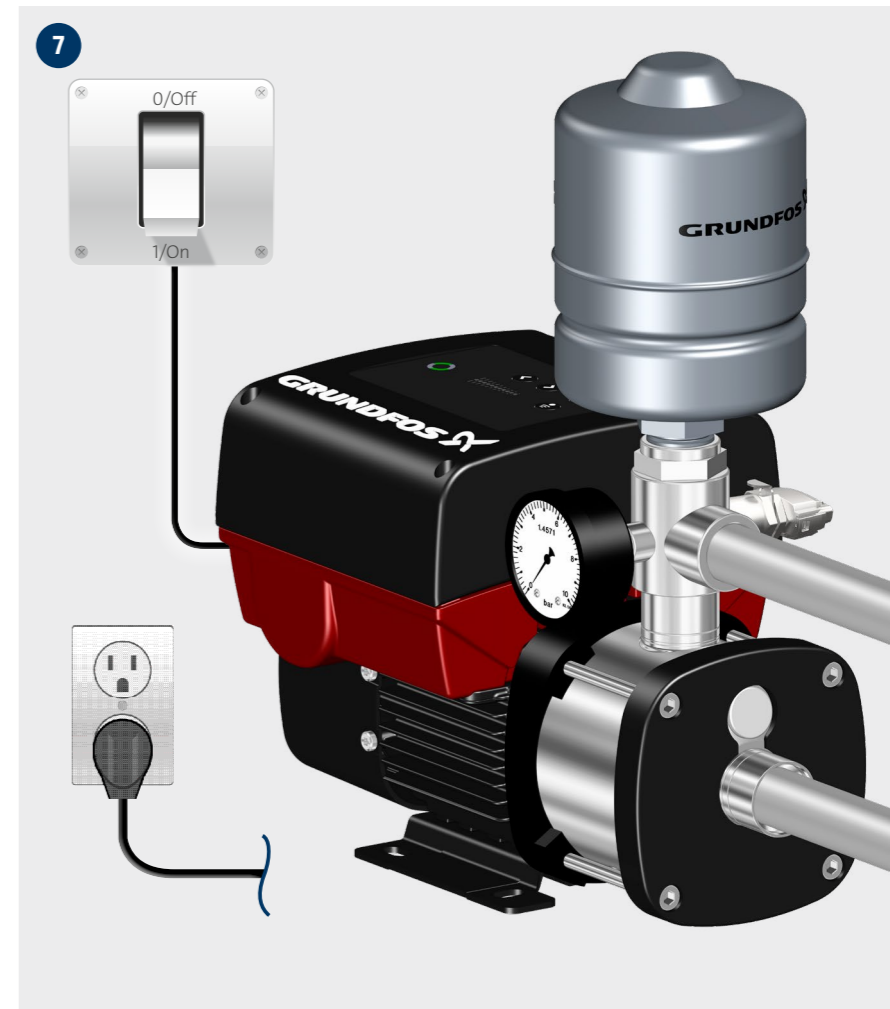
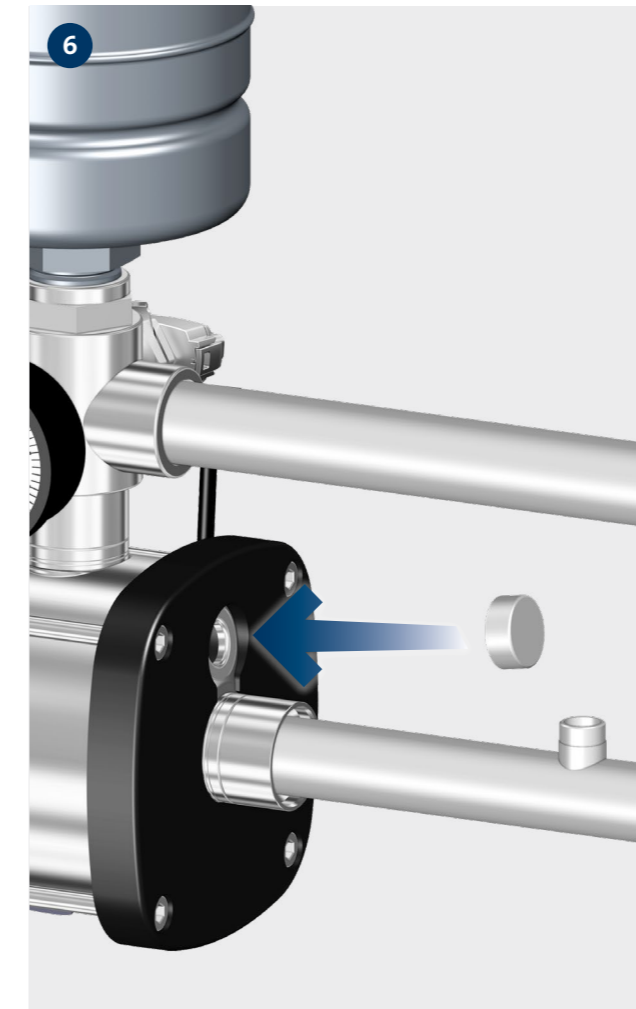
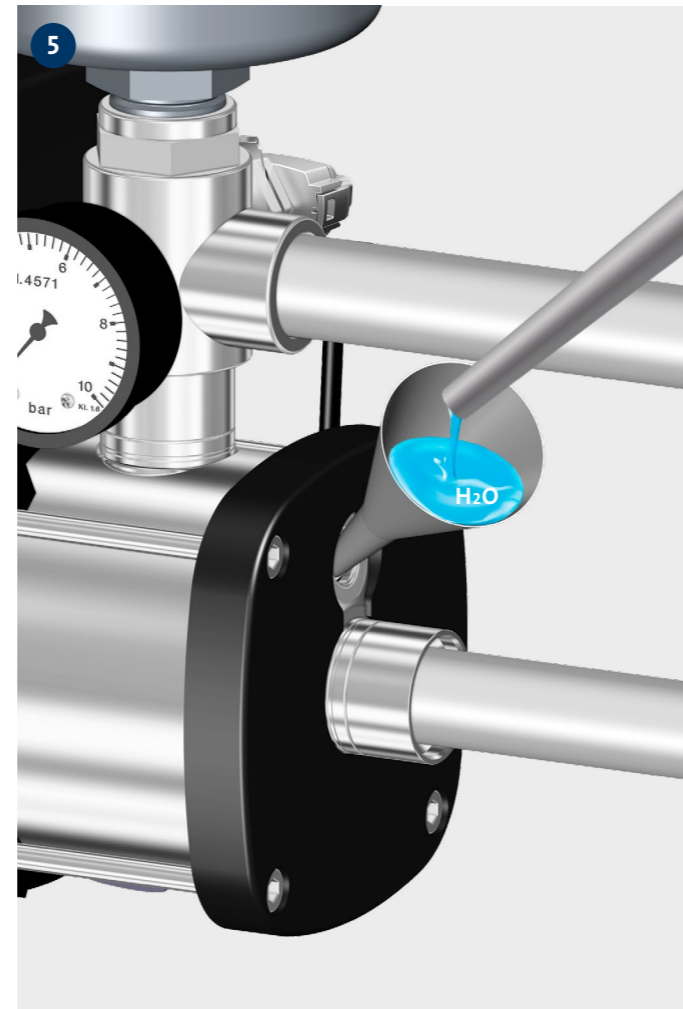
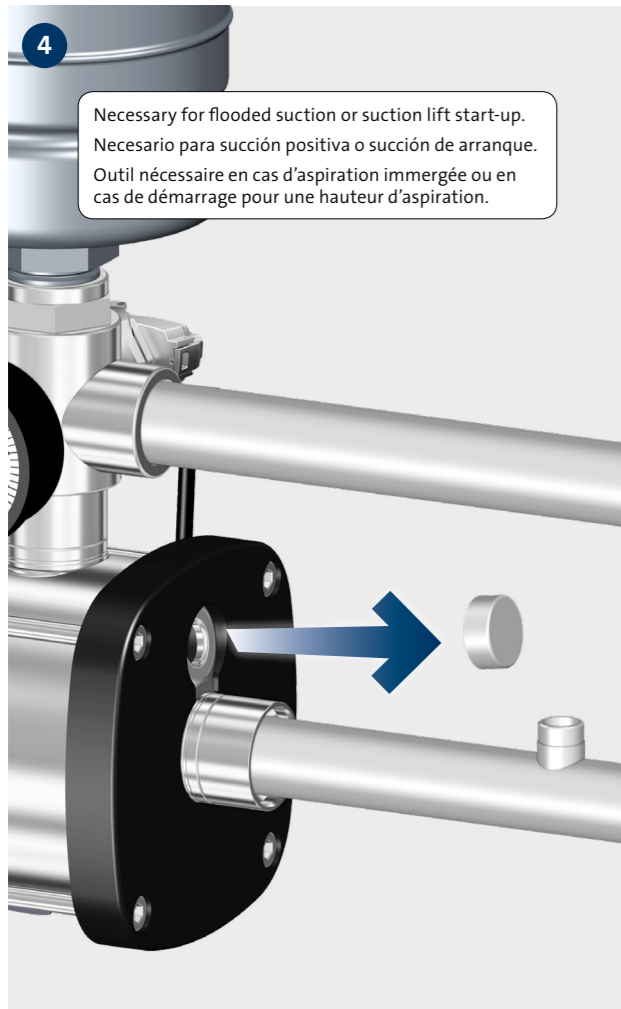


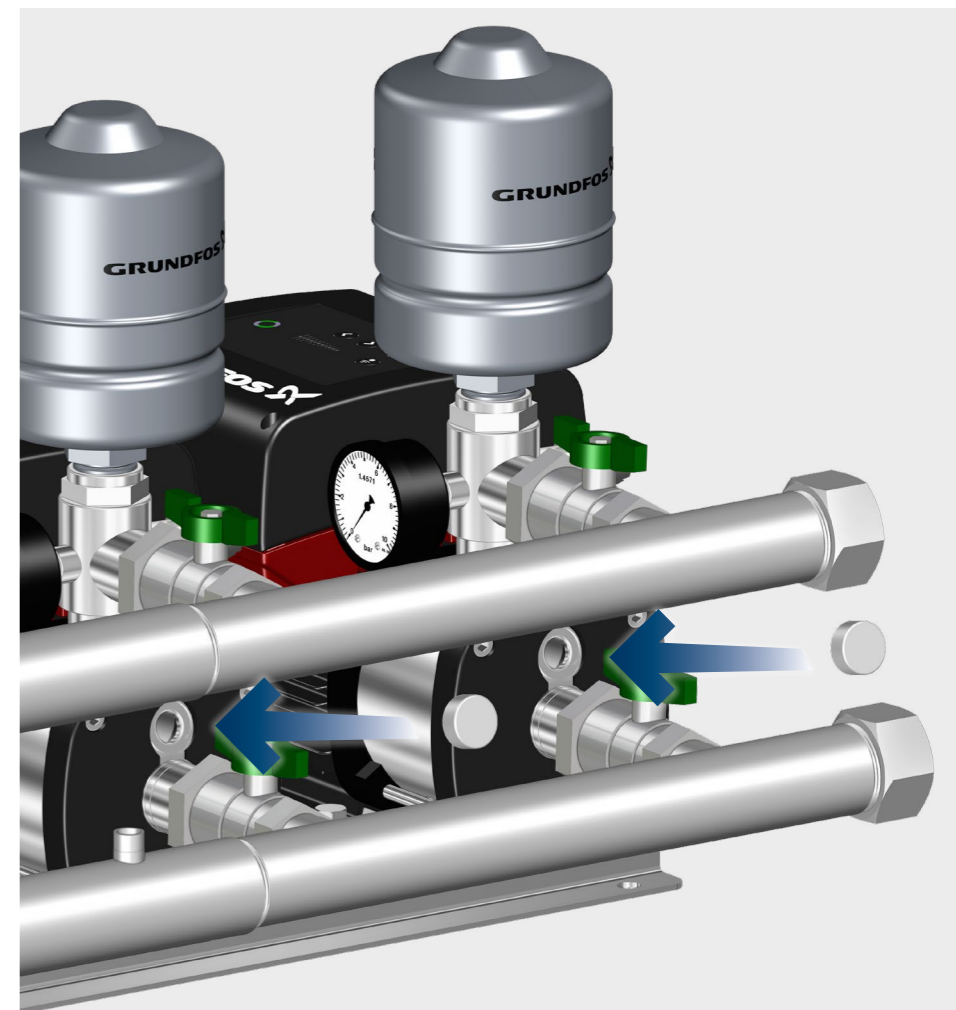
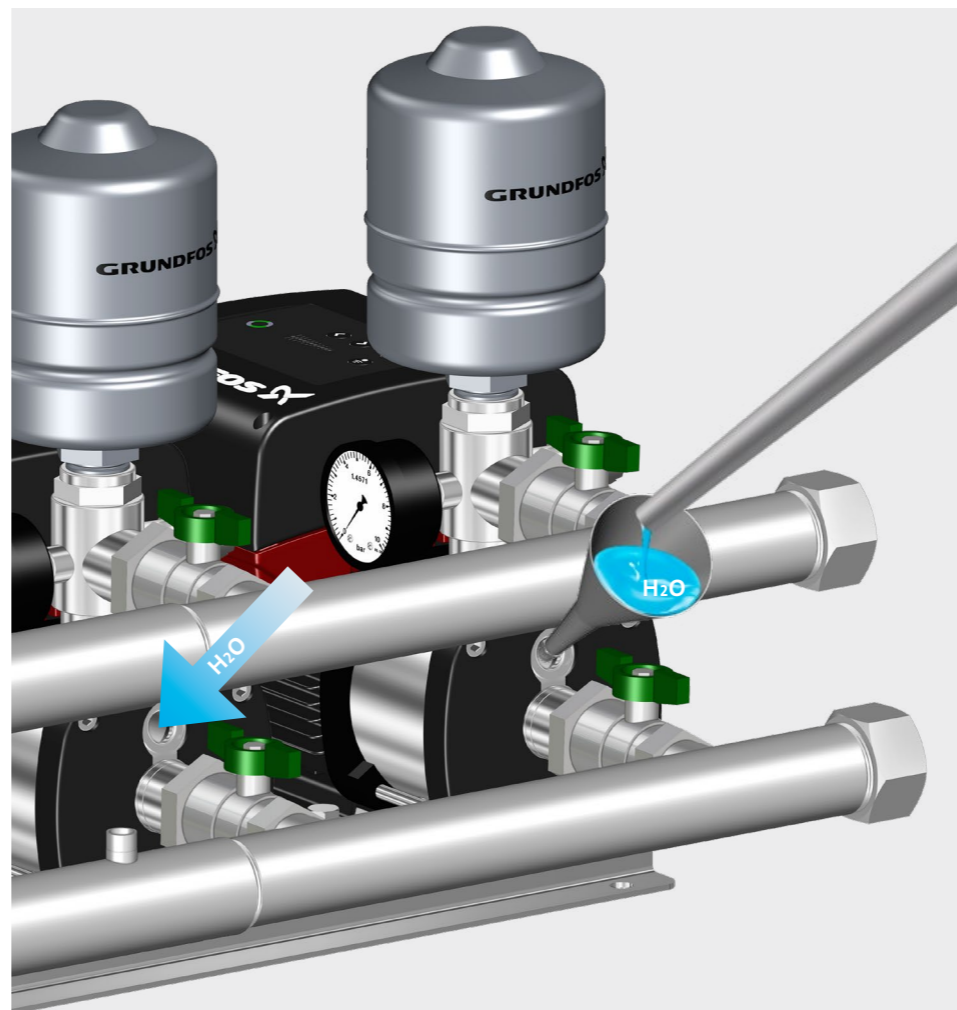
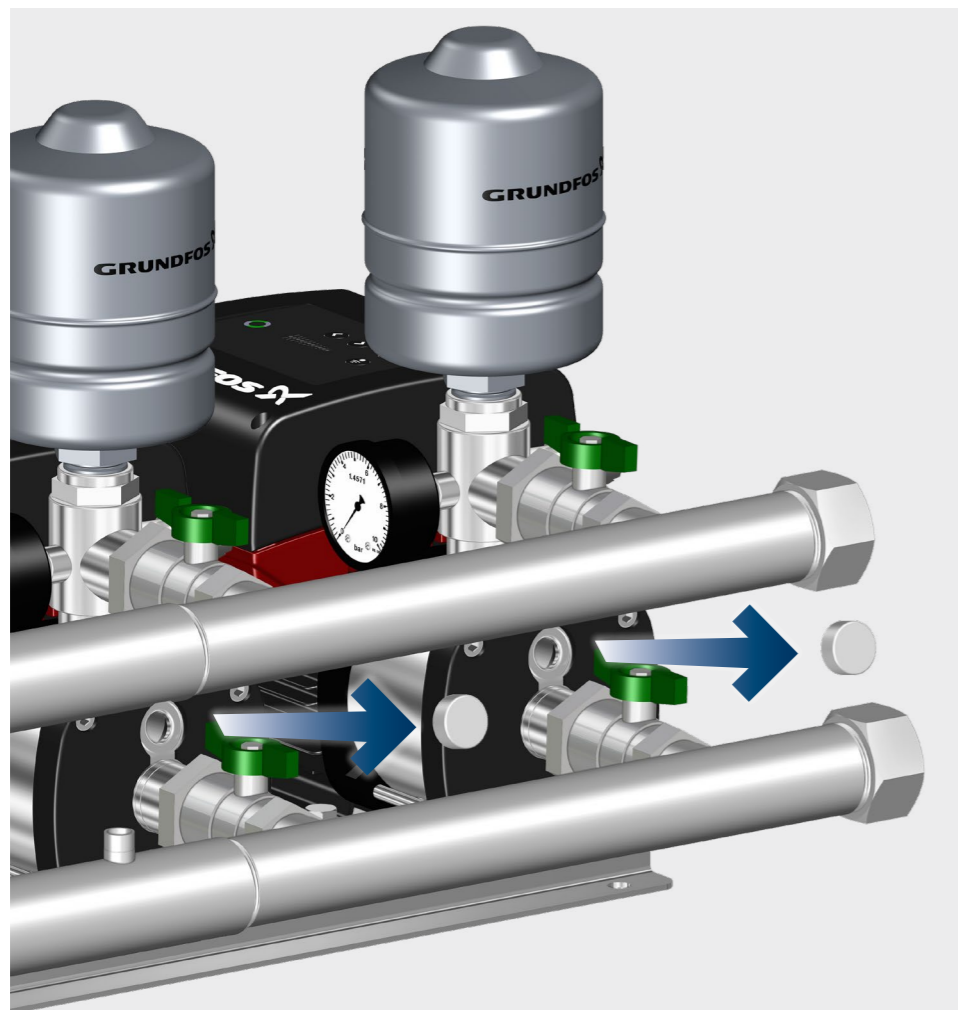
3

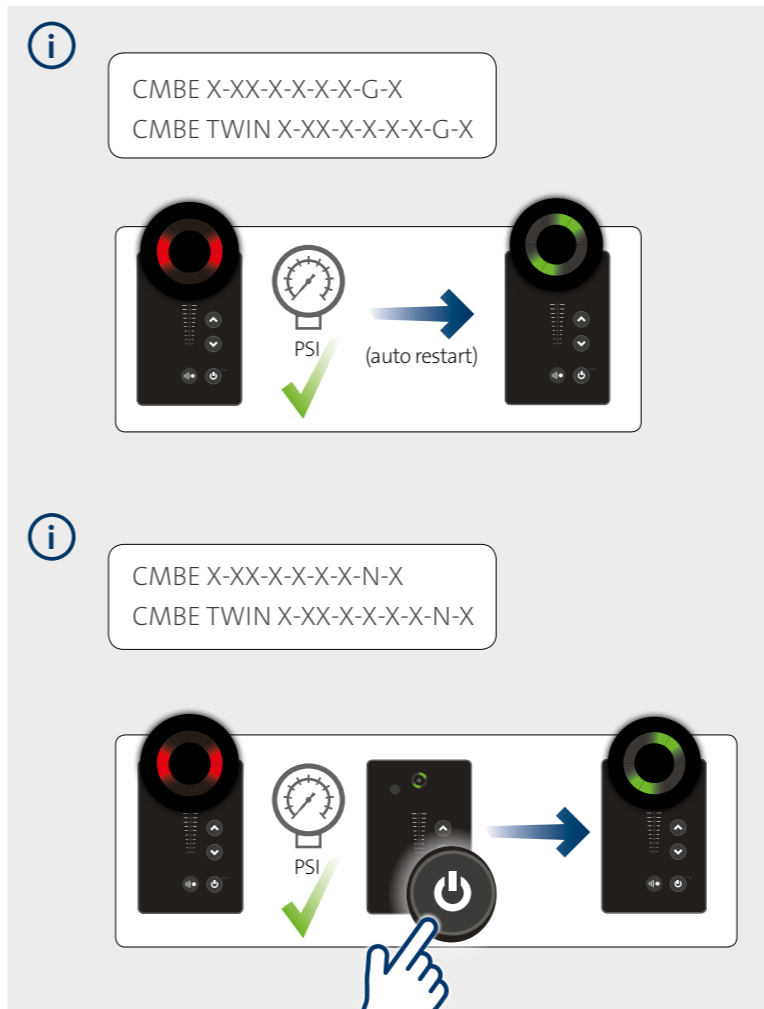
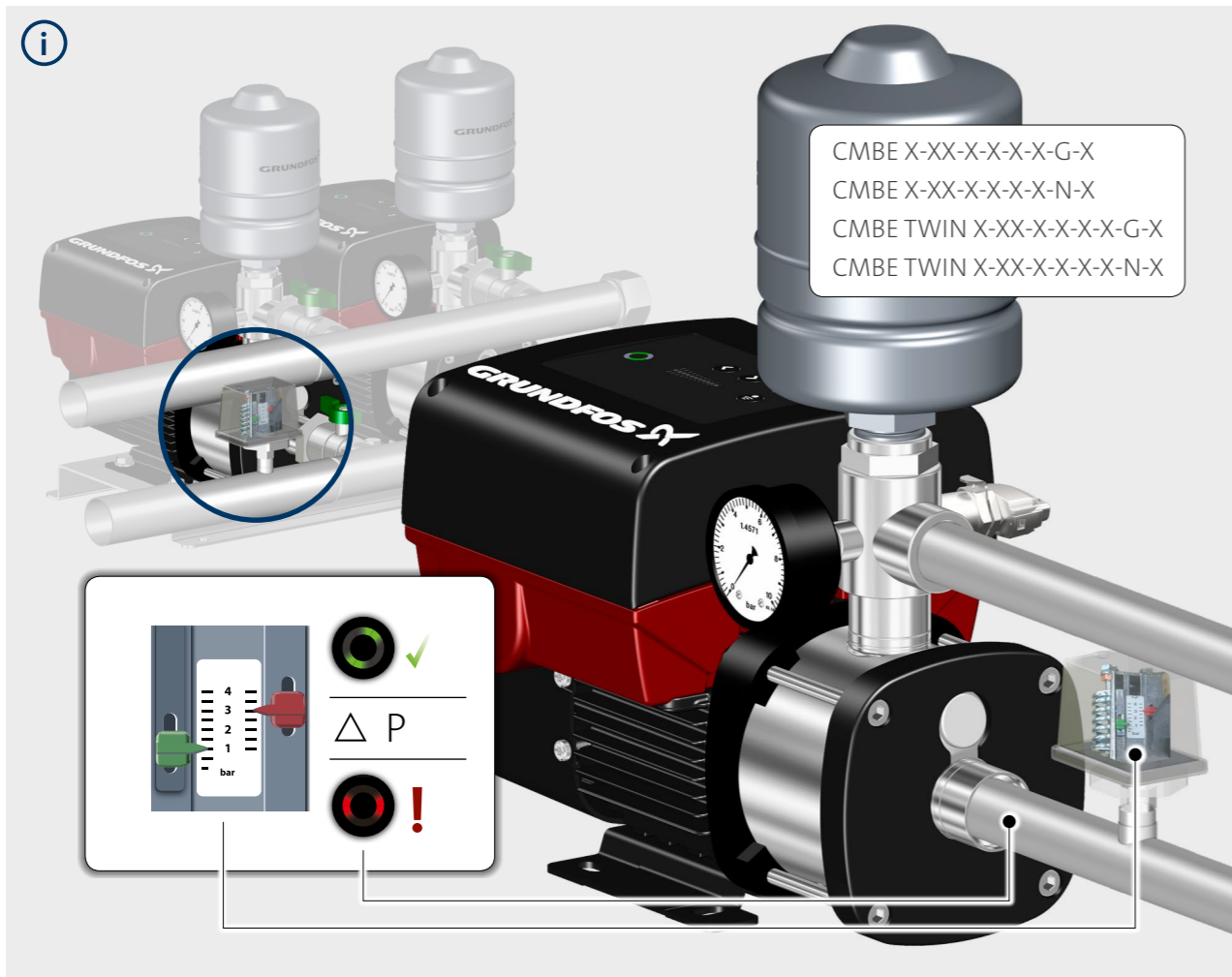


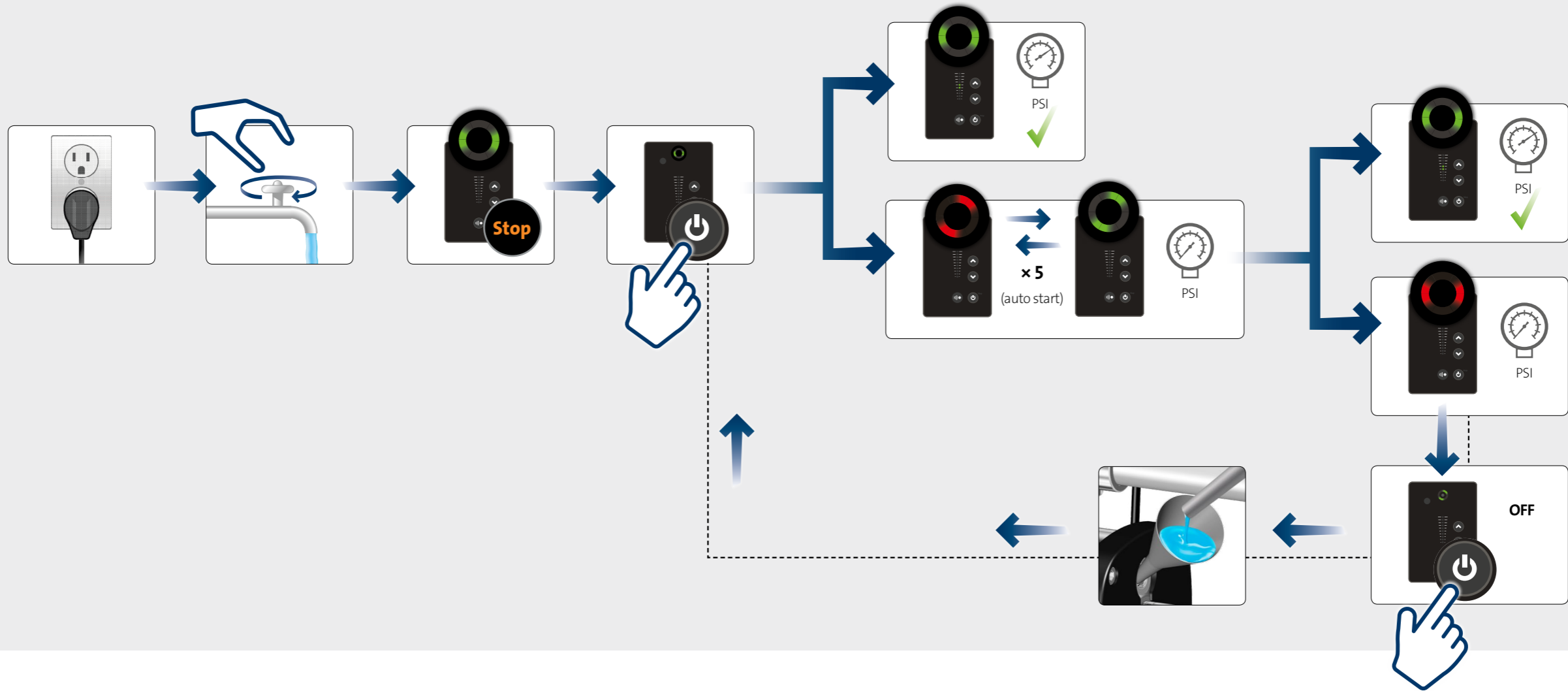
i





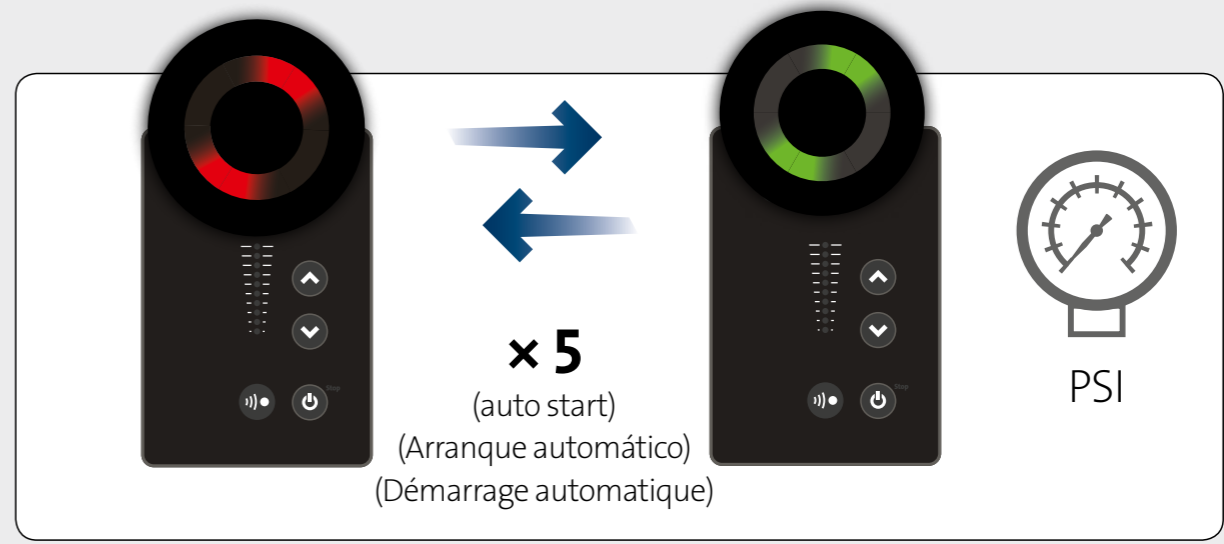
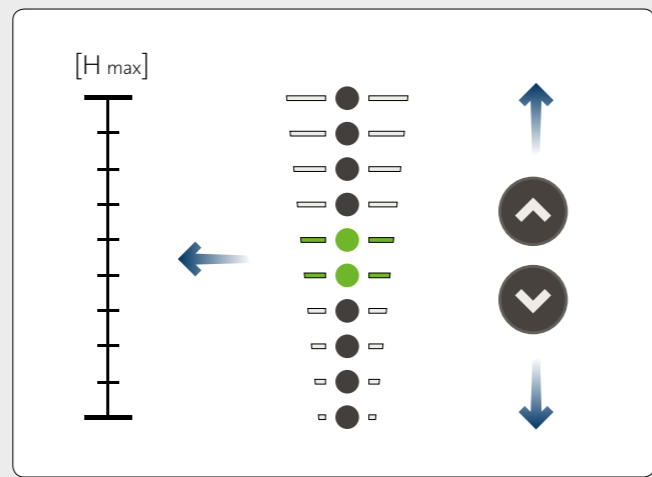








Setpoint settings
Punto de ajuste
Réglage du point de consigne



be think innovate

Installation date: _____

Installer:

99457055 11.2020

ECM: 1300648

GRUNDFOS Holding A/S
Poul Due Jensens Vej 7
DK-8850 Bjerringbro
Tel: +45 87 50 14 00
www.grundfos.com

GRUNDFOS 

The name Grundfos, the Grundfos logo, and be think innovate are registered trademarks owned by Grundfos Holding A/S or Grundfos A/S, Denmark. All rights reserved worldwide.