

**Refrigeration Equipment  
Merchandiser Refrigerator, 72  
cu.ft - 3 Glass Door, black (R290)**

ITEM # \_\_\_\_\_

MODEL # \_\_\_\_\_

NAME # \_\_\_\_\_

SIS # \_\_\_\_\_

AIA # \_\_\_\_\_



**738308 (KCHGM72R)**

3-glass door merchandiser refrigerator, black, 72 cubic feet, R290 refrigerant gas, +33/+41°F - Energy star

**Short Form Specification**

Item No. \_\_\_\_\_

3-glass door refrigeration with exterior back and bottom panel in galvanized steel, exterior side and top in painted steel; interior back, side top and bottom panels in 304 stainless steel.  
Self-closing doors.

R290 gas in refrigeration circuit.  
ETL Safety and Sanitation certified.  
3/5 Years warranty.

**Main Features**

- External temperature display.
- High efficiency components to minimize the energy consumption still guaranteeing the highest performances.
- Cabinet and door insulated with high density polyurethane for low environmental impact.
- Interior LED light to save energy and for best internal visibility.

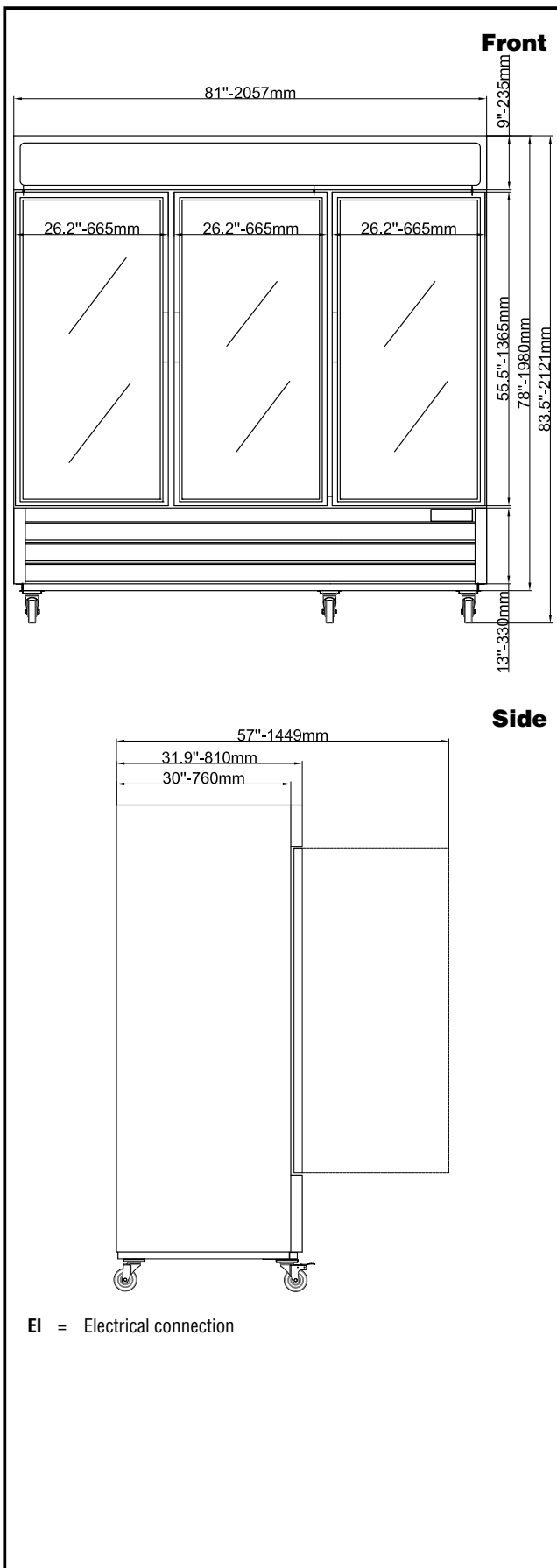
**Construction**

- Lockable door.
- Pre-wired heavy duty power cord.
- Heavy duty door hinges.
- Magnetic door gasket removable without tools for easy cleaning.

**Optional Accessories**

- shelf for 48" and 72" (left/right) merchandiser PNC 880594
- middle shelf for 72" merchandiser PNC 880595
- shelf clips PNC 880611

APPROVAL: \_\_\_\_\_



## Electric

Supply voltage:	115 V/1 ph/60 Hz
738308 (KCHGM72R)	
Electrical power, max:	0.8 kW
Current consumption:	7.5 Amps
Plug type:	USA NEMA 5-15P

## Key Information:

Capacity (Cu.Ft.)	72
Door hinges:	1 Left+1 Right
External dimensions, Width:	81 " (2057.4 mm)
External dimensions, Depth:	31 7/8" (810.26 mm)
External dimensions, Height:	79 1/2" (2019 mm)
Number and type of doors:	3 Glass
Internal Dimensions (depth):	27 9/16"
Internal Dimensions (height):	59 1/16"
Internal Dimensions (width):	76 7/16"
Number and type of grids (included):	12 - Vinyl-Coated Steel
Shipping height:	85 13/16" (2180 mm)
Shipping weight:	732 lbs (332 kg)
Shipping volume:	142.86 ft <sup>3</sup> (4.05 m <sup>3</sup> )
Type of external material:	Black Prepainted Steel
Type of internal material:	White Prepainted Aluminium
Warranty:	3 / 5 years

## Refrigeration Data

Compressor Horsepower:	1/5
Refrigerant type:	R290
Refrigerant weight:	150 g
Operating temperature min.:	32 °F
Operating temperature max.:	41 °F
Condenser type:	Fin & tube
Defrost type:	Auto Defrost