



SERVING THE FOOD INDUSTRY SINCE 1951

# 1-HP HEAVY-DUTY ELITE POTATO PEELER

Item: 20367

Model: PE-BR-0025

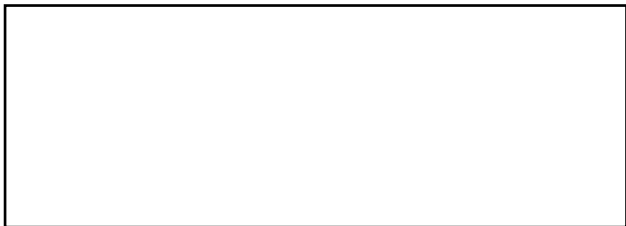


## PREMIUM POTATO PEELER WITH 55-LB CAPACITY

It combines economy and efficiency in preparing vegetables. Simple and safe to use, as well as easy to clean! Constructed out of stainless steel. The peeling cycle is swift with minimum product waste. Equipped with timer, and sieve to collect waste.



**LIMITED WARRANTY**  
PARTS AND LABOR



Authorized Dealer

# FOOD EQUIPMENT

## 1-HP HEAVY-DUTY ELITE POTATO PEELER



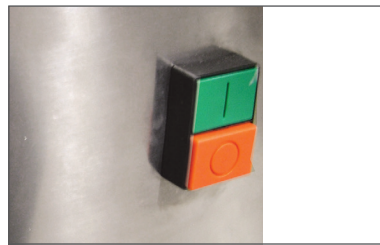
Our peelers combine economy and efficiency in preparing vegetables. Simple and safe to use, as well as easy to clean! All are constructed out of stainless steel. The peeling cycle is swift with minimum product waste. The electrical components are protected inside a sealed box. They are equipped with a safety sensor, which stops the cycle when the door is opened.



Timer



Lid



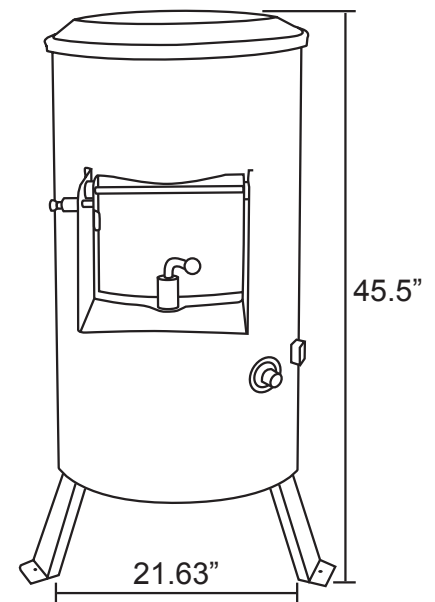
On/Off Push Button Switch



Door & Door Base

### TECHNICAL SPECIFICATION

ITEM NUMBER	20367
MODEL	PE-BR-0025
POWER	1 HP / 0.75 kW
CONSUMPTION	0.73 kW/h
CAPACITY	55 lbs./ 25 kg
OUTPUT (APPROX.)	1100 lbs./hr.
ELECTRICAL	110V/60Hz/1
AMPS	Without Load: 14A / With Load: 16.3A
WEIGHT	99 lbs./ 45 kg
PACKAGING WEIGHT	136 lbs./ 61.7 kg
DIMENSIONS (DWH)	26.38" x 21.63" x 45.5" / 670 x 549.4 x 1155.7 mm
PACKAGING DIMENSIONS	31" x 49" x 52" / 787.4 x 1244.6 x 1320.8 mm



### OMCAN INC.

Telephone: 1-800-465-0234  
 Fax: (905) 607-0234  
 Email: sales@omcan.com  
 Website: www.omcan.com



Follow us to keep up to date with the latest news and offers

