



REFRIGERATED SHOWCASE

SERVING THE FOOD INDUSTRY SINCE 1951

CURVED GLASS COUNTERTOP REFRIGERATED SHOWCASE

Item: 43074

Model: RS-CN-0118-E



ELEGANTLY DISPLAY
COLD DESSERTS WITH
OUR STYLISH CURVED
GLASS COUNTERTOP
REFRIGERATED
SHOWCASE



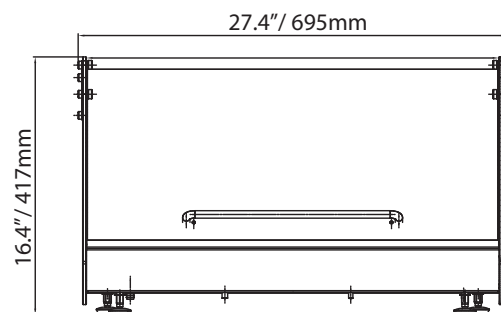
WARRANTY
PARTS AND LABOUR



Authorized Dealer

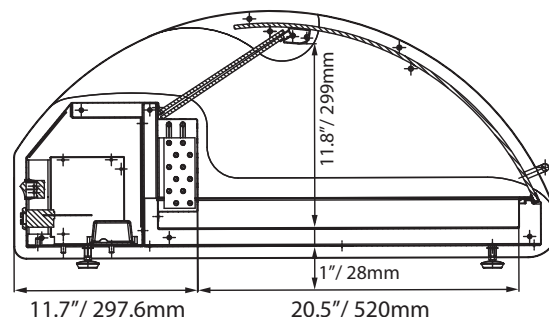
REFRIGERATED SHOWCASE

CURVED GLASS COUNTERTOP REFRIGERATED SHOWCASE



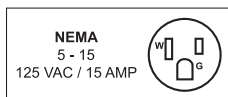
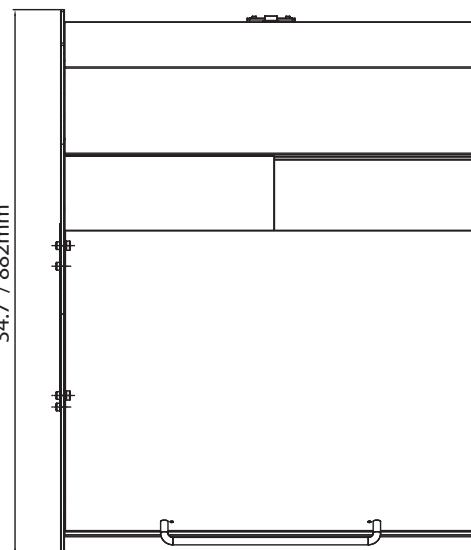
Features:

- Digital temperature controller, display and illumination control
- Direct cooling system
- Automatic defrost
- Stainless steel body with front glass door
- Adjustable feet



TECHNICAL SPECIFICATION

ITEM NUMBER	43074
MODEL	RS-CN-0118-E
DESCRIPTION	Made of stainless steel and glass, countertop refrigerated showcase
CAPACITY	118L/ 4.2 cu.ft.
TEMPERATURE RANGE	2 - 12 °C/ 35.6 - 53.6 °F
AMP	1.6A
ELECTRICAL	110V/60Hz/1
COOLANT AND INJECTION QUANTITY (g)	R134a (80)
FOAMING AGENT	C5H10
EXTERIOR DIMENSIONS	30.5" x 37.6" x 19.3" / 775 x 955 x 490mm
INTERIOR DIMENSIONS	27.4" x 34.7" x 16.4" / 695 x 882 x 417mm
PACKAGING DIMENSIONS	30.5" x 37.6" x 19" / 775 x 955 x 490 mm
WEIGHT	84.9 lbs. / 38.5 kgs.
PACKAGING WEIGHT	90.4 lbs./ 41 kgs.



OMCAN INC.

Telephone: 1-800-465-0234
 Fax: (905) 607-0234
 Email: sales@omcan.com
 Website: www.omcan.com



Follow us to keep up to date with the latest news and offers

