



SERVING THE FOOD INDUSTRY SINCE 1951

## CHAFING DISH WITH ROLL TOP COVER

Item 41821



**KEEP YOUR FOOD AT PERFECT SERVING TEMPERATURE FOR HOURS!**

*Omcan's stainless steel chafing dish is constructed of high quality stainless steel and boasts a shiny, professional finish. This chafing dish complements any buffet, restaurants, banquets, and catering services. It's design, distributes heat evenly, keeping the food warm for hours. Fuel not supplied.*

### TECHNICAL SPECIFICATIONS

ITEM	41821
CAPACITY	9 L / 9.5 QT
BASE PAN	22.18" x 14.18" x 4" / 563.4 x 360.2 x 101.6 mm
STEAM PAN	20.75" x 12.75" x 2.5" / 527.05 x 323.85 x 63.5 mm
FUEL HOLDER	2
DIMENSIONS	18" x 25.25" x 17.25" / 457.2 x 641.35 x 438.15 mm

### OMCAN INC.

Telephone: 1-800-465-0234

Fax: (905) 607-0234

Email: [sales@omcan.com](mailto:sales@omcan.com)

Website: [www.omcan.com](http://www.omcan.com)

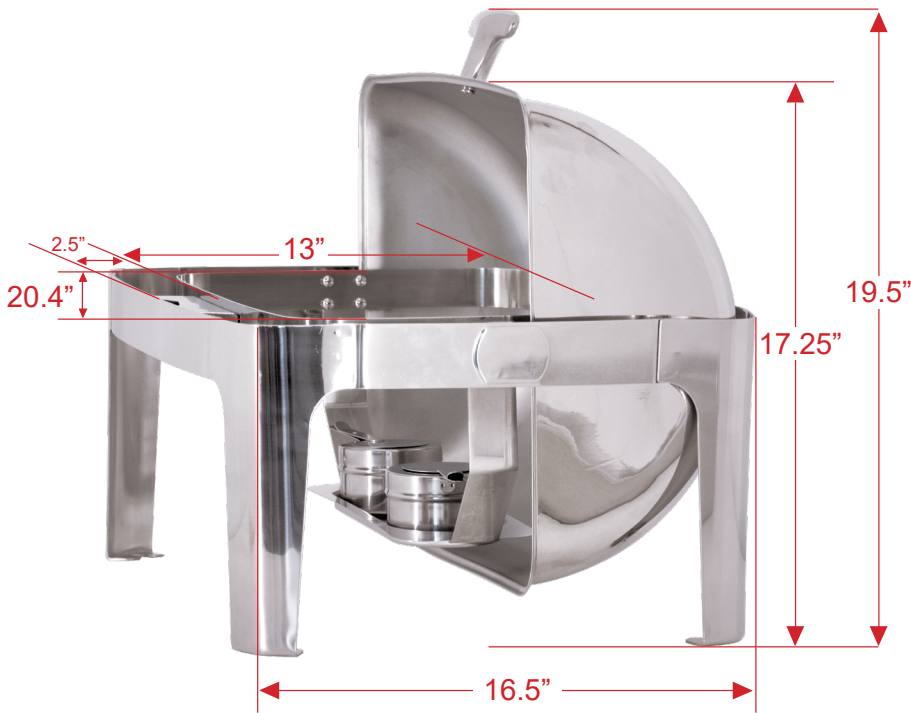


Follow us to keep up to date with the latest news and offers



# SMALLWARES

## CHAFING DISH WITH ROLL TOP COVER



### OMCAN INC.

Telephone: 1-800-465-0234  
 Fax: (905) 607-0234  
 Email: sales@omcan.com  
 Website: www.omcan.com



Follow us to keep up to date with the latest news and offers

