



**WAREWASHING/HANDLING**

**SERVING THE FOOD INDUSTRY SINCE 1951**

## **POT SINKS - ONE TUB SINK WITHOUT DRAIN BOARD**

Designed with durability in mind, this one tub sink is the perfect appliance for your washing tasks big and small and an excellent edition for your commercial kitchen!



Authorized Dealer



**LIMITED  
WARRANTY**

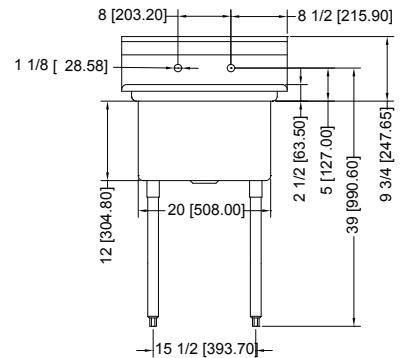
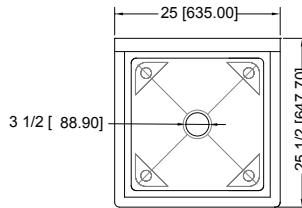
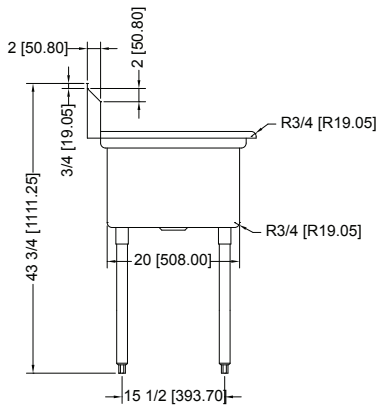
# WAREWASHING/HANDLING

## POT SINK - 20" x 20" x 12" ONE TUB SINK



### Features:

- 18-gauge stainless steel
- Shipped with legs removed
- Comes with socket and plastic bullet feet
- Center Drain size: 3.5" drain basket included
- Conforms to CSA Standards



### TECHNICAL SPECIFICATION

ITEM NUMBER

43072

DESCRIPTION

20" X 20" X 12" ONE TUB SINK WITHOUT DRAIN BOARD

WEIGHT

27 lbs.

PACKAGING WEIGHT

37 lbs.

DIMENSIONS (WDH)

20" x 20" x 12" / 508 mm x 508 mm x 305 mm

PACKAGING DIMENSIONS

27" x 26" x 26" / 685 mm x 660.4 mm x 660.4 mm

**OMCAN INC.**

Telephone: 1-800-465-0234

Fax: (905) 607-0234

Email: [sales@omcan.com](mailto:sales@omcan.com)

Website: [www.omcan.com](http://www.omcan.com)



Follow us to keep up to date with the latest news and offers



2015.E.O.E