



# COOKING EQUIPMENT

SERVING THE FOOD INDUSTRY SINCE 1951

## COMPACT SERIES PIZZA OVENS WITH SINGLE CHAMBER

Item: 40633/ 40634

Model: PE-IT-0005/ PE-IT-0010

The Compact series pizza ovens are practical and functional with a refractory brick baking surface. These ovens are ideal for pizzas, bread and kitchen products (semi-processed).



**WARRANTY**  
PARTS AND LABOR



Authorized Dealer

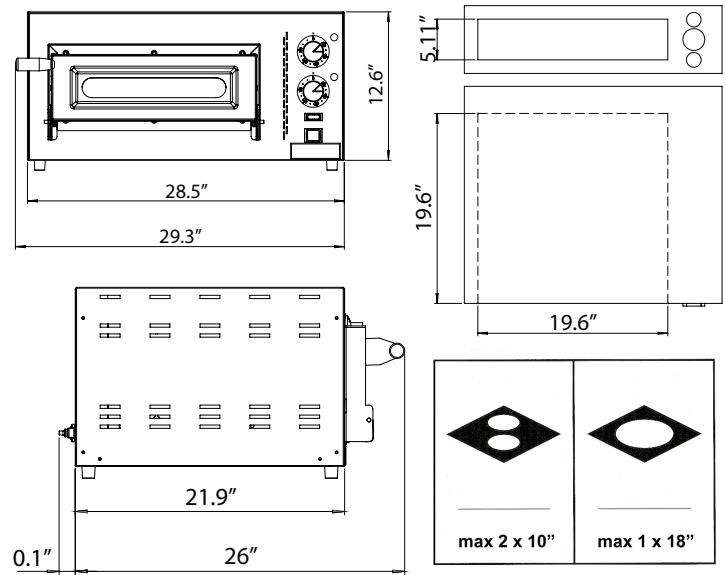
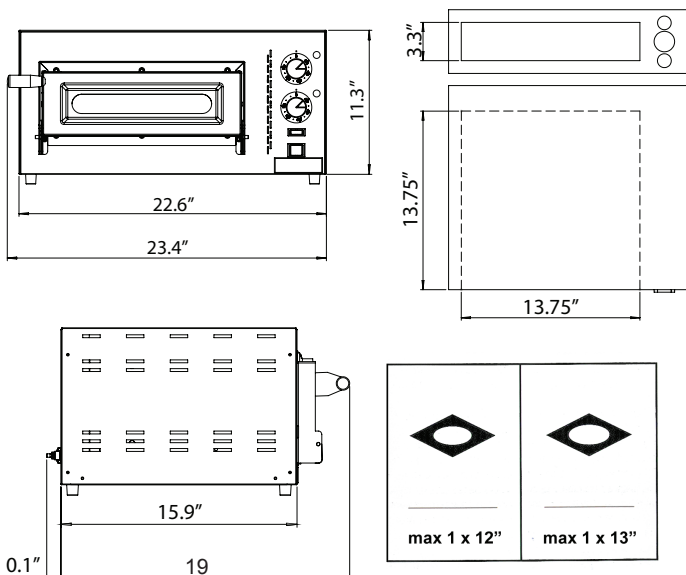
# COOKING EQUIPMENT

## COMPACT SERIES PIZZA OVEN WITH SINGLE CHAMBER



2.20 kW Compact Series Pizza Oven with Single Chamber	
ITEM NUMBER	40633
MODEL	PE-IT-0005
MAXIMUM TEMPERATURE	842° F / 450° C
ELECTRICAL	220V/60/1
POWER	2.20 kW
CHAMBER DIMENSIONS (LxDxH)	13.75" x 13.75" x 3.3" / 350 x 350 x 85 mm
EXTERNAL DIMENSIONS (LxDxH)	23.4" x 19" x 11.3" / 594 x 482.6 x 287mm
PACKAGING DIMENSIONS (LxDxH)	25.6" x 23.2" x 15" / 650 x 590 x 380mm
WEIGHT	Net Weight: 30 kg / 66 lbs. Gross Weight: 35 kg / 77 lbs.

3.6 kW Compact Series Pizza Oven with Single Chamber	
ITEM NUMBER	40634
MODEL	PE-IT-0010
MAXIMUM TEMPERATURE	842° F / 450° C
ELECTRICAL	220V/60/1
POWER	3.6 kW
CHAMBER DIMENSIONS (LxDxH)	19.6" x 19.6" x 5.11" / 500 x 500 x 130 mm
EXTERNAL DIMENSIONS (LxDxH)	29.3" x 26" x 12.6" / 744 x 660 x 320 mm
PACKAGING DIMENSIONS (LxDxH)	31.9" x 30.3" x 17.3" / 810 x 770 x 440 mm
WEIGHT	Net Weight: 35 kg / 77 lbs. Gross Weight: 40 kg / 88 lbs.



### OMCAN INC.

Telephone: 1-800-465-0234  
 Fax: (905) 607-0234  
 E-mail: sales@omcan.com  
 Website: www.omcan.com



Follow us to keep up to date with the latest news and offers

