



COOKING EQUIPMENT

SERVING THE FOOD INDUSTRY SINCE 1951

CONVEYOR TOASTER

Item: 19938

Model: CE-CN-0254-T



STAINLESS STEEL CONVEYOR TOASTER

Serving tray not included



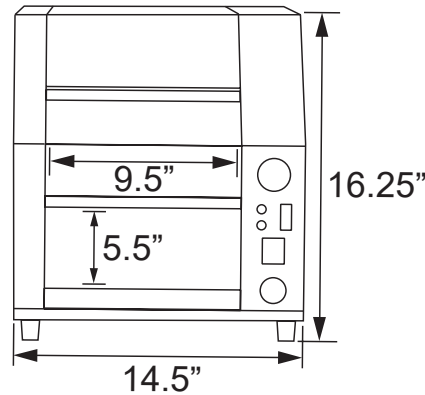
WARRANTY
PARTS AND LABOR



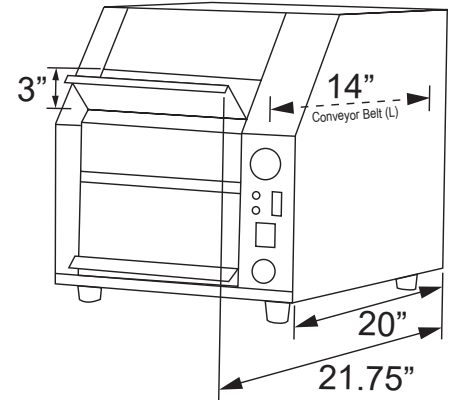
Authorized Dealer



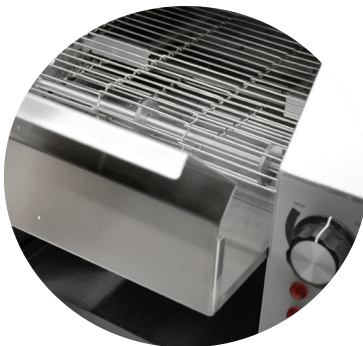
TECHNICAL DRAWING & SPECIFICATION



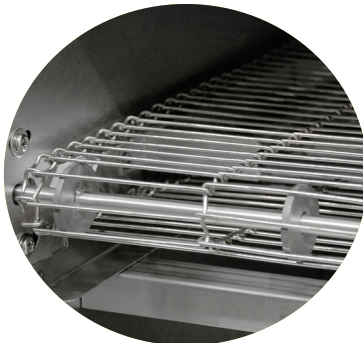
(Front)



(Side)



Equipped with a variable speed control, adjustable heat control, and switches for the bottom and top/bottom heating elements. Body is made of stainless steel. Comes with a removable crumb tray and bread catcher.



TECHNICAL SPECIFICATION

ITEM NUMBER	19938
MODEL	CE-CN-0254-T
POWER	1.8 kW
OPENING (DWH)	14" x 9.5" x 3" / 356 x 241 x 76 mm
SLICES	2
AMPS	15
ELECTRICAL	120V / 60 Hz / 1
WEIGHT	38.58 lbs. / 17.5 kg
PACKAGING WEIGHT	39 lbs. / 17.7 kg
DIMENSIONS (DWH)	21.75" x 14.5" x 16.25" / 552.5 x 368 x 412.8 mm
PACKAGING DIMENSIONS	25" x 18" x 19" / 635 x 457 x 482.6 mm



NEMA
5 - 20
125 VAC / 20 AMP

OMCAN INC.

Telephone: 1-800-465-0234
 Fax: (905) 607-0234
 Email: sales@omcan.com
 Website: www.omcan.com



Follow us to keep up to date with the latest news and offers

