



CRN15-H

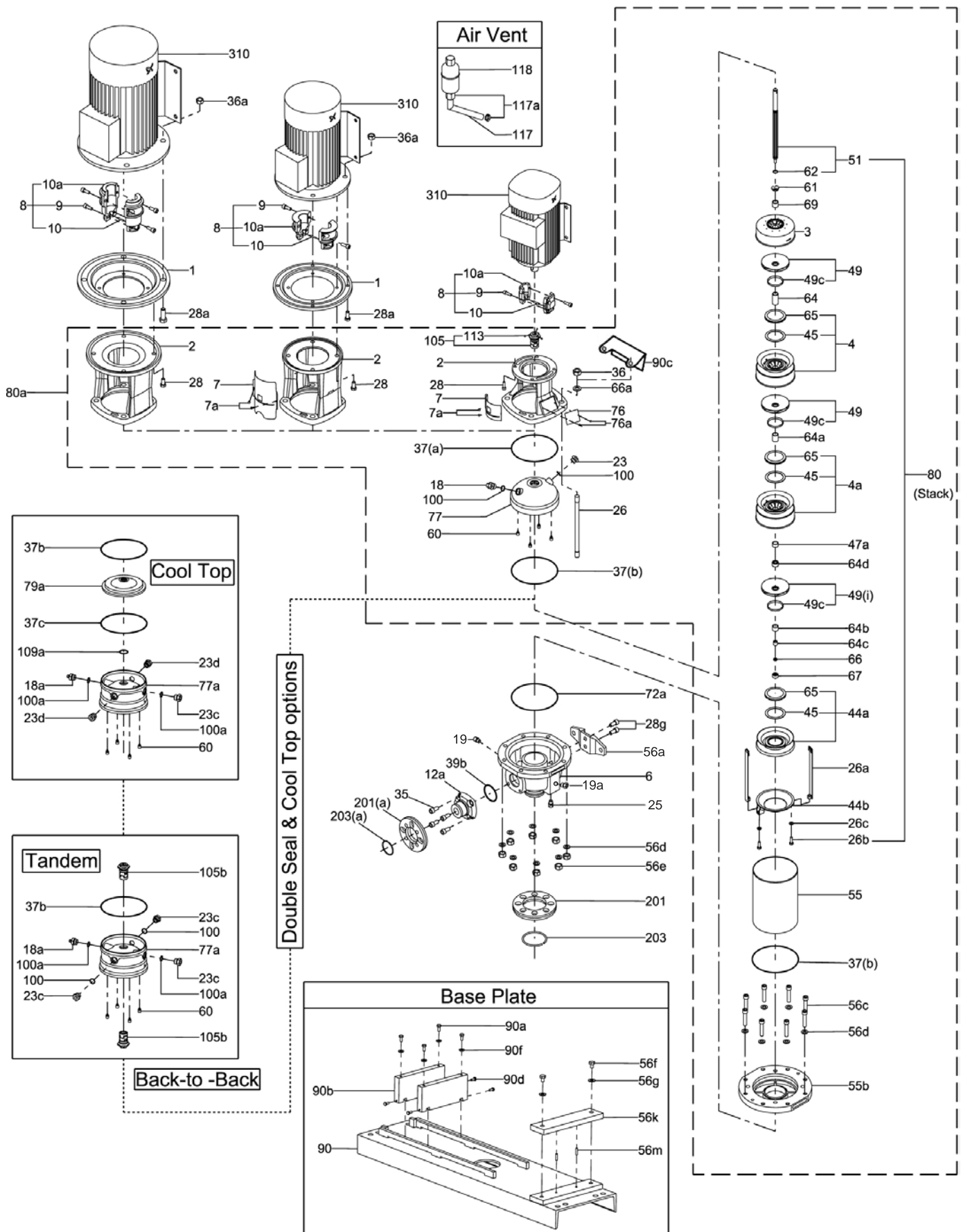
Parts List & Kits

Contents

Parts List
Spare Part Kits
Accessories
Special Tools
Standard Tools
Tools for Torques



Exploded View CRN15-H



TM047923

Parts List & Kits CRN15-H

Pos. No.	Part Description	Model	Stages	No. Used	Comments/Dimensions	B.O.M. Ref. No.	Material No.	Included in kits ?
----------	------------------	-------	--------	----------	---------------------	-----------------	--------------	--------------------

PARTS LIST

1	Adapter for Motor Stool		4-6	1	For NEMA, 213/215TC, 7.5 - 10HP	96476208		No		
2	Motor Stool Cat. Cast Iron, without insert Pos. 77		7-10	1	For NEMA, F254TC, 15-20HP	96486329		No		
			2/1	1	NEMA, 56C, .75 - 2.0HP	96486290		No		
			2-3	1	NEMA, 182TC, 3 - 5Hp (High)	96486314		No		
			4-6	1	Add Pos.1 NEMA 213/215TC, 7.5-10HP (High)	96486314		No		
			7-10	1	Add Pos. 1 for NEMA 254/256TC, 15-20HP	96486314		No		
			12	1	NEMA, 284/286TSC, 25HP	96486296		No		
			2/1	1	NEMA, 56C, .75 - 2.0HP	96505862		No		
			2-3	1	NEMA, 182TC, 3 - 5Hp (High)	96505860		No		
			4-6	1	Add Pos.1 NEMA 213/215TC, 7.5-10HP (High)	96505860		No		
			7-10	1	Add Pos. 1 for NEMA 254/256TC, 15-20HP	96505860		No		
	12	1	NEMA, 284/286TSC, 25HP	96505864		No				
3	Chamber N, Top, Complete with guide vane		2-17	*1	Slotted to accept Strap, Pos. 26a	96487787		No		
3a	Chamber N, Top, without guide vane		2/1	*1	Slotted to accept Strap, Pos. 26a	96491222		No		
3b	Chamber N without guide vane		3-17	*1		330060	96547342	No		
4	Chamber N Cpl. w/guide vane and Pos. 45 & 65		3-17	^^^	PTFE Pos. 45	96475766		No		
4a	Chamber N Cpl. w/Pos. 45 & 65 & Bearing		2/1-17	^^^^	Silicon Carbide Brg, PTFE Pos. 45	96747343		YES		
	Chamber N Cpl. w/Pos. 45 & 65 & Brg. (option)		2/1-17	^^^^	Graflon Bearing, PTFE Pos. 45	96492510		YES		
	Chamber N Cpl. w/Pos. 45 & 65 & Brg. (option)		2/1-17	^^^^	Bronze Bearing, PTFE Pos. 45	96492512		YES		
6	Volute, suction / discharge base		2/1-5	1	GA, 1.5" suction (OD=76mm), 4 hole dis. adapter	95922058		No		
			2/1-17	1	G05/G22, 2" suction (OD=90mm) 4 hole dis.adapter	95922057		No		
	Volute, option larger suction & discharge		2/1-17	1	GB&C/G10/G50/G60, 3" suc. (OD=120), 6 hole dis. adap.	95922062		No		
7	Coupling Guard		2/1	2	NEMA-56C	96491002		YES		
			2-17	2	NEMA, 182-215TC (High),254TC-286TSC	96490656		YES		
7a	Screw for Coupling Guard		1-17	4	Screw comb. slot torx/straight slot 4 x 8mm	96488481		YES		
9	Allen Screw		2/1	4	M6 x 20mm, Delta Tone/Seal	001D7899		YES		
			2-17	4	M10 x 25mm, Delta Tone/Seal	001D7901		YES		
10	Shaft Pin		2/1-17	1	ø5 x 26mm	310192	95061337	YES		
10a	Coupling Half (machined set)		2/1	1	NEMA, 56C, 1/3 - 2HP. ø15.9/ ø16mm	96516777		YES		
			2-3	1	NEMA, 182/184TC, 3-5HP. ø28.6/ø16mm (High)	96516009		YES		
			4-6	1	NEMA, 213TC, 7.5-10HP. ø34.9/ø16mm (High)	96516770		YES		
			7-10	1	NEMA, 254TC, 15-20HP. ø41.2/ø16mm (High)	96516771		YES		
			12	1	NEMA, 284/286TSC, 25HP. ø41.2/ø16mm	96516771		YES		
12a	Discharge Adapter		2/1-17	1	GA, 4 hole flange, OD=55mm, ID=26mm (1.0"), L= 60mm	95922070		No		
			2/1-17	1	G05, 4 hole flange, OD=55mm, ID=26mm (1.0"), L= 111mm	95922072		No		
			2/1-17	1	G22, 4 hole flange, OD=90mm, ID=50mm (2"), L= 85mm	95922097		No		
			2/1-17	1	GB, 6 hole flange, OD=76mm, ID=49mm (1.5"), L=55mm	95922084		No		
			2/1-17	1	GC, 6 hole flange, OD=90mm, ID=49mm (2"), L= 55mm	95922085		No		
			2/1-17	1	G50, 6 hole flange, OD=76mm, ID=41mm (1.5"), L= 106mm	95922087		No		
			2/1-17	1	G10, 6 hole flange, OD=90mm, ID=50mm (2"), L= 110mm	95922089		No		
			2/1-17	1	G60, 6 hole flange, OD=90mm, ID=50mm (2"), L= 132mm	95922091		No		
			2/1-17	1	G20, 6 hole flange, OD=76mm, ID=40mm (1.5"), L= 156mm	95922093		No		
			2/1-17	1	G30, 6 hole flange, OD=90mm, ID=50mm (2"), L= 182mm	95922095		No		
	2/1-17	1	G33, 6 hole flg.OD=120mm, ID=80mm (3"), L= 120mm	95922099		No				
18(a)	Priming/Vent Plug		2/1-17	*	G 1/2A, NV24 with NV9 x M8 stem	405150	95061351	YES		
19	(Suction) Pressure tap plug		2/1-17	1	1/4" NPT,SS SQHD	001D7216		No		
19a	(Discharge) Pressure tap plug		2/1-17	1	1/4" NPT,SS SQHD	001D7216		No		
23, 23c	Plug		2/1-17	*	G 1/2A, NV24, solid	370025	95061733	No		
23d	Plug, Vented for Pos. 77a Cool Top® option only		2/1-17	2	G 1/2A, NV24, Vented	96510323		No		
25	Drain plug		2/1-17	1	1/4" NPT,SS SQHD	001D7216		No		
26	Staybolt		2/1-2	4	M16 x 151mm	97683353		No		
			3	4	M16 x 196mm	97683355		No		
			4	4	M16 x 241mm	97683359		No		
			5	4	M16 x 282mm	290231		No		
			6	4	M16 x 331mm	97683363		No		
			7	4	M16 x 377mm	97683365		No		
			8	4	M16 x 422mm	290233		No		
			9	4	M16 x 465mm	97683370		No		
			10	4	M16 x 514mm	97683372		No		
			12	4	M16 x 597mm	380245		No		
			14	4	M16 x 689mm, 4 pole & 50 Hz.	380246		No		
			17	4	M16 x 826mm, 4 pole & 50 Hz.	97683387		No		
			Staybolt (Back-to-Back & Tandem Seal option)		2/1-2	4	M16 x 241mm	97683359		No
					3	4	M16 x 282mm	290231		No
					4	4	M16 x 331mm	97683363		No
					5	4	M16 x 377mm	97683365		No
					6	4	M16 x 417mm	380243		No
			7	4	M16 x 465mm	97683370		No		
			8	4	M16 x 514mm	97683372		No		
			9	4	M16 x 555mm	97683375		No		
			10	4	M16 x 597mm	380245		No		
			12	4	M16 x 689mm	380246		No		
			14	4	M16 x 781mm, 4 pole & 50 Hz.	380247		No		
			17	4	M16 x 912mm, 4 pole & 50 Hz.	290240		No		
26a	Strap		2/1-2	2	L* = 93.5mm x 20.3mm x 1.3mm, 316 SS, M8 nut	96487759		No		
			3	2	L* = 138.5mm x 20.3mm x 1.3mm, 316 SS, M8 nut	96487761		No		

Due to part changes over time, all position numbers (1-203) may not be used.

This column indicates which pump model uses the spare part. If blank, the part is used in all models.

B.O.M. Ref. No. is only available if it is not included in a kit or does not have a material number listed. If it is included in a kit (YES), or has a material number, request one of these numbers. If not included in a kit (No), but has a Material Number, use Material Number.

Parts List & Kits CRN15-H

Pos. No.	Part Description	Model	Stages	No. Used	Comments/Dimensions	B.O.M. Ref. No.	Material No.	Included in kits ?
----------	------------------	-------	--------	----------	---------------------	-----------------	--------------	--------------------

PARTS LIST

26a	Strap (continued)		4	2	L* = 183.5mm x 20.3mm x 1.3mm, 316 SS, M8 nut	96487763		No			
			5	2	L* = 228.5mm x 20.3mm x 1.3mm, 316 SS, M8 nut	96487765		No			
			6	2	L* = 273.5mm x 20.3mm x 1.3mm, 316 SS, M8 nut	96487767		No			
			7	2	L* = 318.5mm x 20.3mm x 1.3mm, 316 SS, M8 nut	96487769		No			
			8	2	L* = 363.5mm x 20.3mm x 1.3mm, 316 SS, M8 nut	96487770		No			
			9	2	L* = 408.5mm x 20.3mm x 1.3mm, 316 SS, M8 nut	96487772		No			
			10	2	L* = 453.5mm x 20.3mm x 1.3mm, 316 SS, M8 nut	96487774		No			
			12	2	L* = 543.5mm x 20.3mm x 1.3mm, 316 SS, M8 nut	96487776		No			
			14: 4 pole	2	L* = 633.5mm x 20.3mm x 1.3mm, 316 SS, M8 nut	96487780		No			
			17: 4 pole	2	L* = 768.5mm x 20.3mm x 1.3mm, 316 SS, M8 nut	96487782		No			
			26b	Bolt for Pos. 26a		2/1-17	2	M8 x 25mm, 316 SS w/Delta Tone/Seal	96416603		No
			26c	Washer for Pos. 26b		2/1-17	2	A4, ϕ 16.0/ ϕ 8.4x1.6mm	00ID3284		No
28	Motor Bolt		2/1	4	NEMA, 56C, 1/3 - 2HP, UNC 3/8" x 25mm	00ID1839		No			
			2-3	4	NEMA, 182/184TC, 3 - 5HP, UNC1/2" x 25mm	00ID1840		No			
			4-6	4	NEMA, 213TC, 7.5 - 10HP, JR 1/2" x 1.25" UNC	00ID0185		No			
			7-10	4	NEMA, 254TC, 15-20HP, 1/2" x 2.5" UNC	96491112		No			
			12	4	NEMA, 284TC, 25HP, UNC1/2" x 25mm	00ID1840		No			
28g	Bolt for Foot 56a & Volute Pos. 6 (GA, GB, GC)		2/1-17	2	M12 x 20mm, low hex head, 8.8 - SS, Delta Tone/Seal	97679673		No			
	Bolt-Ft. 56a & Volute Pos. 6 (G05, G10, G22, G50, G60)		2/1-17	2	M12 x 20mm, 8.8 - S.S., Delta Tone/Seal	97672732		No			
35	Bolt for Discharge Adapter Pos. 12a (GB, GC)		2/1-17	6	M12 x 20mm low hex head, 8.8 - SS, Delta Tone/Seal	97679673		No			
			2/1-17	4	M12 x 20mm Hex head, 8.8 - SS, Delta Tone/Seal	97672732		No			
36	Staybolt Nut		2/1-17	4	24mm x M16, 316	96550566		No			
37(a)	Sleeve O-ring		2/1-17	◆◆	EPDM, ϕ 170.7 x 3.3mm	96483101		YES			
			2/1-17	◆◆	FKM, ϕ 170.7 x 3.3mm	96483102		YES			
37b	Sleeve O-ring (option)		2/1-17	◆◆	FKM, ϕ 171.25 x 3.3mm	96483109		YES			
			2/1-17	◆◆	FFKM, ϕ 170.7 x 3.3mm	96483140		YES			
37c	Disc plate O-ring (Cool Top® option only)		2/1-17	◆	EPDM, ϕ 155.0 x 3.0mm	96509703		YES			
			2/1-17	◆	FKM, ϕ 155.0 x 3.0mm	96480168		YES			
39b	O-ring for Discharge Adapter flange Pos. 12a		2/1-17	1	EPDM, Parker 2-238 ϕ 88.5 x 3.5mm	95922035		YES			
			2/1-17	1	FKM, Parker 2-238 ϕ 88.5 x 3.5mm	95922036		YES			
			2/1-17	1	FKM, Parker 2-238 ϕ 88.5 x 3.5mm	95952037		YES			
			2/1-17	1	FFKM, Parker 2-238 ϕ 88.5 x 3.5mm	95131207		YES			
			2/1-17	1	FFKM, Parker 2-238 ϕ 88.5 x 3.5mm	95131207		YES			
44a	Inlet upper with Pos. 45 & 65		2/1-17	1		96489039		No			
44c	Inlet upper with Pos. 45 & 65 (Low NPSH option)		2-17	1		96491227		No			
44b	Inlet lower, machined		2/1-17	1		96488000		No			
45	Neck Ring		2/1-17	# imp.-	ϕ 75.8 x ϕ 59.95 x 1.5mm, PTFE-Acoflon 100	96487400		YES			
			2/1-17	1	ϕ 88.0 x ϕ 66.2 x 2.2mm, PTFE-Acoflon 215	290091		No			
47a	Bearing Ring/Spacer		2/1-17	◆◆◆◆	SiC 150, ϕ 23.4 x ϕ 17.6 x ϕ 15.0 x 14mm	96763100		YES			
			2/1-17	◆◆◆◆	TC, ϕ 21.9 x ϕ 17.6 x ϕ 15.0 x 14mm	330085	95061371	YES			
49	Impeller		2/1-17	# stgs-	ϕ 104.8 x ϕ 59.85 x 25.4mm (back-plate 1.5mm)	96476400		No			
49c	Wear Ring N for Impeller 49		2/1-17	# stgs-	ϕ 59.85 x 7.4mm	330054		YES			
49c	Wear Ring N for Low NPSH Impeller 49i		2/1-17	1	ϕ 66.0 x 8.5mm	290049		No			
49i	Impeller N (Low NPSH option)		2-17	1	ϕ 118.8 x ϕ 66.0 x 32.2mm	96521444		No			
51	Shaft, Complete		2/1-2	1	ϕ 16 x 209.0mm, 329 SS	96491611		No			
			3	1	ϕ 16 x 249.0mm, 329 SS	96491615		No			
			4	1	ϕ 16 x 299.0mm, 329 SS	96491619		No			
			5	1	ϕ 16 x 339.0mm, 329 SS	96491623		No			
			6	1	ϕ 16 x 389.0mm, 329 SS	96491627		No			
			7	1	ϕ 16 x 429.0mm, 329 SS	96491631		No			
			8	1	ϕ 16 x 479.0mm, 329 SS	96491633		No			
			9	1	ϕ 16 x 519.0mm, 329 SS	96491635		No			
			10	1	ϕ 16 x 564.0mm, 329 SS	96491639		No			
			12	1	ϕ 16 x 659.0mm, 329 SS	96491643		No			
			14	1	ϕ 16 x 744.0mm, 329 SS, 4 pole & 50 Hz.	96491647		No			
			17	1	ϕ 16 x 879.0mm, 329 SS, 4 pole & 50 Hz.	96491651		No			
			2/1-2	1	ϕ 16 x 299.0mm, 329 SS	96507538		No			
			3	1	ϕ 16 x 339.0mm, 329 SS	96507570		No			
			4	1	ϕ 16 x 389.0mm, 329 SS	96507572		No			
			5	1	ϕ 16 x 429.0mm, 329 SS	96507574		No			
			6	1	ϕ 16 x 479.0mm, 329 SS	96507576		No			
7	1	ϕ 16 x 519.0mm, 329 SS	96507578		No						
8	1	ϕ 16 x 569.0mm, 329 SS	96507579		No						
9	1	ϕ 16 x 609.0mm, 329 SS	96507580		No						
10	1	ϕ 16 x 654.0mm, 329 SS	96507582		No						
12	1	ϕ 16 x 749.0mm, 329 SS	96507584		No						
12	1	ϕ 16 x 777.0mm, 329 SS (Low NPSH option)	96551867		No						
14	1	ϕ 16 x 834.0mm, 329 SS, 4 pole & 50 Hz.	96507586		No						
17	1	ϕ 16 x 969.0mm, 329 SS, 4 pole & 50 Hz.	96507588		No						
17: 4 pole	1	ϕ 16 x 1014.0mm, 329 SS (Low NPSH option), 50 Hz.	96529710		No						
55	Sleeve		2/1-2	1	ϕ 171.1/ ϕ 170.7 x 104.0mm x 2.0mm, 316 SS	96489819		No			
			3	1	ϕ 171.1/ ϕ 170.7 x 149.0mm x 2.0mm, 316 SS	96489821		No			
			4	1	ϕ 171.1/ ϕ 170.7 x 194.0mm x 2.0mm, 316 SS	96489823		No			
			5	1	ϕ 171.1/ ϕ 170.7 x 239.0mm x 2.0mm, 316 SS	96489824		No			
			6	1	ϕ 171.1/ ϕ 170.7 x 284.0mm x 2.0mm, 316 SS	96489826		No			
			7	1	ϕ 171.1/ ϕ 170.7 x 329.0mm x 2.0mm, 316 SS	96489828		No			
			8	1	ϕ 171.1/ ϕ 170.7 x 374.0mm x 2.0mm, 316 SS	96489829		No			
			8	1	ϕ 171.1/ ϕ 170.7 x 374.0mm x 2.0mm, 316 SS	96489829		No			

Due to part changes over time, all position numbers (1-203) may not be used.

This column indicates which pump model uses the spare part. If blank, the part is used in all models.

B.O.M. Ref. No. is only available if it is not included in a kit or does not have a material number listed. If it is included in a kit (YES), or has a material number, request one of these numbers. If not included in a kit (No), but has a Material Number, use Material Number.

Parts List & Kits CRN15-H

Pos. No.	Part Description	Model	Stages	No. Used	Comments/Dimensions	B.O.M. Ref. No.	Material No.	Included in kits ?
----------	------------------	-------	--------	----------	---------------------	-----------------	--------------	--------------------

PARTS LIST

55	Sleeve (continued)		9	1	Ø171.1/ Ø170.7 x 419.0mm x 2.0mm, 316 SS	96489857		No		
			10	1	Ø171.1/ Ø170.7 x 464.0mm x 2.0mm, 316 SS	96489831		No		
			12	1	Ø171.1/ Ø170.7 x 554.0mm x 2.0mm, 316 SS	96489833		No		
			14: 4 pole 17: 4 pole	1	Ø171.1/ Ø170.7 x 644.0mm x 2.0mm, 316SS, 50 Hz. Ø171.1/ Ø170.7 x 779.0mm x 2.0mm, 316SS, 50 Hz.	96489835 96489836		No		
55b	Sleeve flange		2/1-17	1	CR-H, CRN-H10, 15, 20, 316 SS	95131164		No		
56a	Foot (Cast Iron) for Pos. 6 (GA, GB, GC) Foot (Cast Iron) for Pos. 6 (G05, G10, G22, G50, G60) Foot (Cast Iron) for Pos. 6 (C1, G20, G30) Foot (Stainless) for Pos. 6 (GA, GB, GC) Foot (Stainless) for Pos. 6 (G05, G10, G22, G50, G60) Foot (Stainless) for Pos. 6 (C1, G20, G30)	254TC 254TC	2/1-17	1	H= 21mm, W= 198mm, Ø16mm hole CL 142mm, CI	95922023		No		
			2/1-17	1	H= 98mm, W= 300mm, Ø16mm hole CL 248mm, CI	95922024		No		
			2/1-17	1	H= 142mm, W= 300mm, Ø16mm hole CL 248mm, CI	96834143		No		
			2/1-17	1	H= 21mm, W= 198mm, Ø16mm hole CL 142mm, SS	95922074		No		
			2/1-17	1	H= 98mm, W= 300mm, Ø16mm hole CL 248mm, SS	95922076		No		
56b(d)	Washer for bolt Pos. 56c		2/1-17	16	M12, 304 SS	001D3103		No		
56c	Bolt for sleeve flange Pos. 55b		2/1-17	8	M12x1.75 x60mm, 12.9 Alloy Steel, Delta Tone/Seal	97672735		No		
56e	Nut for bolt Pos. 56c		2/1-17	8	M12, NV19, 8.8 Steel, Delta Tone/Seal	001D7917		No		
56f	Bolt for Pos. 90 (BP139 w/GA, BP245 G05/22) Bolt for Pos. 90 (BP258 G05/22) Bolt for Pos. 90 (BP148 w/GA, GB, BP252 G05/22) Bolt for Pos. 90 (XLP4 w/GA, GB) Bolt for Pos. 90 (BP148 with GA/GB, Pos. 56k & m)	56/182T 254/84TC 213TC 284TC 254TC	2/1-2	2	Hex Hd. 1/2 -13 UNC x 1" SAE 5, Zinc plated			YES		
			6-12	2	Hex Hd. 1/2 -13 UNC x 1.25" SAE 5, Zinc plated			YES		
			3-5	2	Hex Head 1/2 -13 UNC x 1.25" SAE 5, Zinc plated			YES		
			12	2	Hex Head 1/2 -13 UNC x 1.25" SAE 5, Zinc plated			YES		
			6-10	2	Hex Head 1/2 -13 UNC x 2.25" SAE 5, Zinc plated			YES		
56g	Washer for bolt Pos. 56f		2/1-17	2	1/2" SAE, Zinc plated			YES		
56k	Spacer for base Pos. 90	GA/GB	6-10	1	148BP 254T, L=200mm x H=25.4mm x W=78.2mm			YES		
56m	Alignment pin	GA/GB	6-10	2	Slotted Spring Pin, Ø3/16" x 1" ASME, Zinc plated			YES		
60	Stack Compression Spring		2/1-17	4	Ø11.0 x Ø7.0 x 15.5mm, EPDM	96503070		YES		
			2/1-17	4	Ø11.0 x Ø7.0 x 15.5mm, FKM	96503072		YES		
			2/1-17	4	Ø11.0 x Ø7.0 x 15.5mm, PTFE	96503071		YES		
61	Stop spacer		2/1-17	1	Ø22.0 x Ø17.8 x Ø15.11 x 11.8 x 6.8mm	96783511		YES		
64	Spacing Pipe		3-17	^^^	Ø21.5 x Ø17.5 x 43.6mm	331407		No		
64a	Spacing Pipe		2-17	^^^^	Ø21.5 x Ø17.5 x 17.0mm	331416		YES		
64b	Spacing Pipe		2-17	^^^^	Ø21.5 x Ø17.5 x 5.0mm	331401		YES		
64c	Clamp, Splined		2/1-17	1	Ø21.5 x Ø17.6 x Ø15.0 x 12.7mm	96496311		YES		
64d	Spacing Pipe		2/1-17	^^^^^^	Ø21.5 x Ø17.5 x 12.6mm	96491535		YES		
64e	Spacing Pipe (Low NPSH option only)		2-17	^ +	Ø21.5 x Ø17.5 x 8.0mm	331411		No		
64f	Spacing Pipe (Low NPSH option only)		2/1	^-	Ø21.5 x Ø17.5 x 18.0mm	96491536		No		
64g	Spacing Pipe (de-staging 2 impellers option only)		3-17	1 per de-stg	Ø21.5 x Ø17.5 x 45.0mm (use with 3b only)	331408		No		
65	Neck Ring Retainer N Neck Ring Retainer N (Low NPSH option)		2/1-17	# stgs-	Ø78.8 x Ø61.5 x 6.7mm	330059	96547341	YES		
			2-17	1	Ø84.5 x Ø67.8 x 4.6mm	290059		No		
66	Lock Washer Set for Shaft		2/1-17	1	Ø13.5 x Ø8.2 x 2.6mm	96417297		YES		
66a	Washer for Staybolt		2/1-17	4	DIN 125A, Ø30 x Ø17 x 2.5mm, 316 SS	001D3104		No		
67	Lock Nut for Shaft		2/1-17	1	13mm x M8	96496488		YES		
69	Spacing Pipe		2-17	⊖	Ø27.5 x Ø17.5 x 27.5mm	96491537		No		
69a	Spacing Pipe (de-staging option only)		2/1	1	Ø21.5 x Ø17.5 x 29.05mm (use with 3a only)	331404	95061499	No		
72a	O-ring for Sleeve Flange Pos. 55b		2/1-17	1	EPDM, Ø215.5mm	95922038		YES		
			2/1-17	1	FKM, Ø215.5mm	95922039		YES		
			2/1-17	1	FFKM, Ø215.5mm	95131208		YES		
			2/1-17	1	FKM, Ø215.5mm	95922040		YES		
76	Nameplate		2/1-17	1	304SS, 60 x 45mm	96563333		No		
76a	Rivet for Nameplate		2/1-17	2	304SS, Ø3 x 5mm	96022882		No		
77	Pump Head Cover for motor stool Pos. 2		2/1-17	1	Cast Stainless	96490647		No		
77a	Pump Head Cover for Tandem Seal & Cool Top® Pump Head Cover for Back-to-Back		2/1-17	1	Cast Stainless	96505487		No		
			2/1-17	1	Cast Stainless	96505488		No		
79a	Disc / Plate complete w/79b & c for Cool Top		2/1-17	1	Cast Stainless	96511281		No		
79b	Bushing for Disc / Plate, Pos. 79a		2/1-17	1	Graffon	96505571		No		
79c	Retaining Ring for Pos. 79b		2/1-17	1	Stainless	96510985		No		
90	Main Support Baseplate	GA/GB GA/GB G05/22 G05/22 G05/22	2/1-2	1	BP. Cpl. 139, L=991mm x W=305mm x H=106.5mm	96956336		YES		
			3-6	1	BP. Cpl. 148, L=1219mm x W=381mm x H=107.9mm	96956346		YES		
			2/1-2	1	BP. Cpl. 245, L=1143mm x W=305mm x H=106.5mm	96956341		YES		
			3-5	1	BP. Cpl. 252, L=1320.8mm x W=381mm x H=107.9mm	96956356		YES		
			6-10	1	BP. Cpl. 258, L=1473.2mm x W=457.2mm x H=119.1mm	96956360		YES		
			Main Support Baseplate - Longer versions	GA/GB	7-10	1	XLBP1(139/245), L=1500mm x W=381mm x H=106.5mm	96956376		YES
				GA/GB	12	1	XLBP2(148/252), L=1777.8mm x W=381mm x H=107.9mm	96956377		YES
G22	12	1		XLBP3(258/264), L=2406.4mm x W=457.2mm x H=119.1mm	96956379		YES			
90a	Bolt for motor to slider Pos. 90b	56C	2/1	4	Hex Head 5/16 -18 UNC x .75" SAE 5, Zinc plated			YES		
		182TC	2	4	Hex Head 3/8 -16 UNC x .5" SAE 5, Zinc plated			YES		
		213TC	3-5	4	Hex Head 3/8 -16 UNC x 5/8" SAE 5, Zinc plated for GA/GB			YES		
		213TC	3-5	4	Hex Head 3/8 -16 UNC x 1" SAE 5, Zinc plated for G05/22			YES		
		254-284	6-12	4	Hex Head 1/2 -13 UNC x 1.25" SAE 5, Z.P. for G05/22			YES		
		254-284	6-12	4	Hex Head 1/2 -13 UNC x 1.5" SAE 5, Zinc plated for GA/GB			YES		
90b	Motor support / slider	56C	2/1	2	GA, GB, GC, BP139, L=204mm x H=45.5mm x W=25.4mm	96956339		YES		
		182TC	2	2	GA, GB, GC, BP139, L=230mm x H=23mm x W=25.4mm	96956338		YES		
		213TC	3-5	2	GA, GB, GC, BP148, L=252mm x H=20mm x W=25.4mm	96956347		YES		
		254TC	6-10	2	GA, GB, GC, BP148, L=299mm x H=20.3mm x W=25.4mm	96956348		YES		
		284TC	12	2	GA, GB, GC, BP153, L=366mm x H=46mm x W=25.4mm	96956351		YES		
		56C	2/1	2	G05, G22, BP245, L=204mm x H=125.5mm x W=25.4mm	96956343		YES		

Due to part changes over time, all position numbers (1-203) may not be used.

This column indicates which pump model uses the spare part. If blank, the part is used in all models.

B.O.M. Ref. No. is only available if it is not included in a kit or does not have a material number listed. If it is included in a kit (YES), or has a material number, request one of these numbers. If not included in a kit (No), but has a Material Number, use Material Number.

Parts List & Kits CRN15-H

Pos. No.	Part Description	Model	Stages	No. Used	Comments/Dimensions	B.O.M. Ref. No.	Material No.	Included in kits ?
90b	Motor support / slider (continued)	182TC	2	2	G05, G22, BP245, L=230mm x H=100mm x W=25.4mm	96956342		YES
		213TC	3-5	2	G05, G22, BP252, L=252mm x H=96.5mm x W=25.4mm	96956357		YES
		254TC	6-10	2	G05, G22, BP252, L=354mm x H=67mm x W=25.4mm	96956361		YES
		284TC	12	2	G05, G22, BP258, L=354mm x H=67mm x W=25.4mm	96956361		YES
90c	Support Bracket for Pump Cartridge		2/1-17	1	304 SS, H=59mm CL of hole, GA/GB/GC	95131178		No
			2/1-17	1	304 SS, H=136mm CL of hole, G05/G10/G22/G50/G60	95131180		No
			2/1-17	1	304 SS, H=180mm CL of hole, G20/G30	96834148		No
90d	Bolt for motor slider Pos. 90b to base Pos. 90	56C	2/1	4	Hex Head 1/4 -20 UNC x 1" SAE 5, Zinc plated			YES
		182/213	2-5	4	Hex Head 1/4 -20 UNC x 1.75" SAE 5, Z.P. for GA/GB			YES
		213-284	3-12	4	Hex Head 1/4 -20 UNC x 1.75" SAE 5, Z.P. for G05/22			YES
		284TC	12	4	Hex Head 1/4 -20 UNC x 2.25" SAE 5, Z.P. for GA/GB			YES
		254TC	6-10	4	Hex Head 1/4 -20 UNC x 2.5" SAE 5, Z.P. for GA/GB			YES
		182TC	2	4	Hex Head 1/4 -20 UNC x 2.5" SAE 5, Z.P. for G05/22			YES
90f	Washer for motor bolt Pos. 90a to slider Pos. 90b	56C	2/1	4	5/16" SAE, Zinc plated			YES
		182/213	2-5	4	3/8" SAE, Zinc plated			YES
		254-284	6-12	4	1/2" SAE, Zinc plated			YES
			2/1-17	1	EPDM, ϕ 16.3 x 2.4mm	001D1288		YES
100	Priming/Vent Plug O-ring		2/1-17	1	FKM, ϕ 16.3 x 2.4mm	001D2231		YES
			2/1-17	1	FFKM, ϕ 16.3 x 2.4mm	96428162	96587720	YES
100a	Priming/Vent Plug O-ring (option)		2/1-17	1	FFKM, ϕ 16.3 x 2.4mm	96428162	96587720	YES
			2/1-17	1	FKM, ϕ 16.3 x 2.4mm	96442869	96587721	YES
105(b)	Shaft Seal HQBE		2/1-17	***	SiC, Carbon with resin-impregnated, EPDM	96484076		YES
			2/1-17	***	SiC, Carbon with resin-impregnated, FKM	96484077		YES
	Shaft Seal HQQE		2/1-17	***	SiC, SiC, EPDM	96484071		YES
			2/1-17	***	SiC, SiC, FKM	96484072		YES
	Shaft Seal HQQV		2/1-17	***	SiC, SiC, FKM	96484072		YES
			2/1-17	***	SiC, SiC, FKM	96484075		YES
	Shaft Seal HQQF (option)		2/1-17	***	SiC, SiC, FKM	96484075		YES
			2/1-17	***	SiC, SiC, FKM	96484074		YES
	Shaft Seal HQQK (option)		2/1-17	***	SiC, SiC, FKM	96484074		YES
			2/1-17	***	SiC, SiC, FKM	96484074		YES
	Shaft Seal HUBE		2/1-17	***	TC, Carbon with resin-impregnated, EPDM	96483952		YES
			2/1-17	***	TC, Carbon with resin-impregnated, FKM	96483964		YES
	Shaft Seal HUBV		2/1-17	***	TC, Carbon with resin-impregnated, FKM	96483966		YES
		2/1-17	***	TC, Carbon with resin-impregnated, FKM	96483966		YES	
Shaft Seal HUBF (option)		2/1-17	***	TC, Carbon with resin-impregnated, FKM	96483966		YES	
		2/1-17	***	TC, Carbon with resin-impregnated, FKM	96483965		YES	
Shaft Seal HUBK (option)		2/1-17	***	TC, Carbon with resin-impregnated, FKM	96483965		YES	
		2/1-17	***	TC, Carbon with resin-impregnated, FKM	96483965		YES	
Shaft Seal HUUE		2/1-17	***	TC, TC, EPDM	96483967		YES	
		2/1-17	***	TC, TC, FKM	96483968		YES	
Shaft Seal HUUV		2/1-17	***	TC, TC, FKM	96483968		YES	
		2/1-17	***	TC, TC, FKM	96484070		YES	
Shaft Seal HUUF (option)		2/1-17	***	TC, TC, FKM	96484070		YES	
		2/1-17	***	TC, TC, FKM	96483969		YES	
Shaft Seal HUUK (option)		2/1-17	***	TC, TC, FKM	96483969		YES	
		2/1-17	***	TC, TC, FKM	96483969		YES	
109a	O-ring for Disk Plate 79a (Cool Top option only)		2/1-17	1	ϕ 27.2 x 2.75mm, EPDM	96483103		YES
			2/1-17	1	ϕ 27.2 x 2.75mm, FKM	96483104		YES
			2/1-17	1	ϕ 27.2 x 2.75mm, FKM	96483141		YES
117	Pipe for Air Vent 118		2/1-17	1	G1/2, 316SS	96525189		YES
117a	Counter Nut for Pipe 117		2/1-17	2	NV24, internal G1/2, 316SS	96506709		YES
118	Air Vent		2/1-17	1	Air vent type 1511-AV - 5/6430	96427483		YES
201	Flange, Suction, Cast Iron - 80-55-06(GGG50)		2/1-7	1	1.5" 150#, 4 x 1/2"-13 UNC threaded flange, Cast Iron, e-c	96922828		No
			2/1-7	1	2" 150#, 4 x 5/8"-11 UNC threaded flange, Cast Iron, e-coat	96922829		No
			2/1-7	1	3" 150#, 8 x non thread flange, Cast Iron, electrocoated	350085		No
			8-17	1	1.5" 300#, 4 x 3/4"-10 UNC threaded flange, Cast Iron, e-c	96956145		No
			8-17	1	2" 300#, 8 x 5/8"-11 UNC threaded flange, Cast Iron, e-coat	96956146		No
			8-17	1	3" 300#, 8 x 3/4"-10 UNC threaded flange, Cast Iron, e-c	96956147		No
	Flange, Suction, Stainless Steel - CF8M (1.4408)	GI	2/1-7	1	1.5" 150#, 4 x 1/2"-13 UNC threaded flange, SS	97644306		No
		GI	2/1-7	1	2" 150#, 4 x 5/8"-11 UNC threaded flange, SS	97644309		No
		GI	2/1-7	1	3" 150#, 8 x non thread flange, SS	350022		No
		GI	8-17	1	1.5" 300#, 4 x 3/4"-10 UNC threaded flange, SS	97644307		No
		GI	8-17	1	2" 300#, 8 x 5/8"-11 UNC threaded flange, SS	97644310		No
		GI	8-17	1	3" 300#, 8 x 3/4"-10 UNC threaded flange, SS	97644313		No
		GI	8-17	1	3" 300#, 8 x 3/4"-10 UNC threaded flange, SS	97644313		No
201a	Flange, Discharge, Cast Iron - 80-55-06(GGG50)		2/1-7	1	1" 150#, 4 x 1/2"-13 UNC threaded flange, Cast Iron, e-coat	96922827		No
			2/1-7	1	1.5" 150#, 4 x 1/2"-13 UNC threaded flange, Cast Iron, e-c	96922828		No
			2/1-7	1	2" 150#, 4 x 5/8"-11 UNC threaded flange, Cast Iron, e-coat	96922829		No
			8-17	1	1" 300#, 4 x 5/8"-11 UNC threaded flange, Cast Iron, e-coat	96956144		No
			8-17	1	1.5" 300#, 4 x 3/4"-10 UNC threaded flange, Cast Iron, e-c	96956145		No
			8-17	1	2" 300#, 8 x 5/8"-11 UNC threaded flange, Cast Iron, e-coat	96956146		No
	Flange, Discharge, Stainless Steel-CF8M (1.4408)	GI	2/1-7	1	1" 150#, 4 x 1/2"-13 UNC threaded flange, SS	97644302		No
		GI	2/1-7	1	1.5" 150#, 4 x 1/2"-13 UNC threaded flange, SS	97644306		No
		GI	2/1-7	1	2" 150#, 4 x 5/8"-11 UNC threaded flange, SS	97644309		No
		GI	8-17	1	1" 300#, 4 x 5/8"-11 UNC threaded flange, SS	97644304		No
203	Retaining ring for 201, 1.5" flange		2/1-17	1	ϕ 72.6mm x 5mm	96475395	96547671	No
			2/1-17	1	ϕ 86.6mm x 5mm	96475396		No
			2/1-17	1	ϕ 121mm x 6mm	350009		No
			2/1-17	1	ϕ 53.6mm x 3.2mm	96439718		No
203a	Retaining ring for 201a, 1.5" flange		2/1-17	1	ϕ 72.6mm x 5mm	96475395	96547671	No
			2/1-17	1	ϕ 86.6mm x 5mm	96475396		No
			2/1-17	1	ϕ 121mm x 6mm	350009		No
			2/1-17	1	ϕ 53.6mm x 3.2mm	96439718		No

Due to part changes over time, all position numbers (1-203) may not be used.

This column indicates which pump model uses the spare part. If blank, the part is used in all models.

B.O.M. Ref. No. is only available if it is not included in a kit or does not have a material number listed. If it is included in a kit (YES), or has a material number, request one of these numbers. If not included in a kit (No), but has a Material Number, use Material Number.

NOTES:

The first number is total number of impellers.
An exceptions to this format is the CRN15-1.

Example: A CRN15-1 is actually a CRN15-2/1. It has 2 chambers and 1 impeller (de-staged by 1) and it uses a 2 stage shaft.

* 1	2 to 17 stage use Pos. 3 2 /1 stage use Pos. 3a De-staging by two impellers use one 3a and one 3b
^^^	2/1 and 2 stage = use 0 3 to 6 stage = # of stages less 2 7 to 10 stage = # of stages less 3 12 to 17 stage = # of stages less 4 De-staging by two impellers use 1 less than stated above.
^^^^	2/1 to 6 stage = use 1 7 to 10 stage = use 2 12 to 17 stage = use 3
^^^^^	2/1-2, 4, 6, 8, and 12 stage = use 1 Exception to the above: Low NPSH models 2, 4, 6, 8, 9 to 17 stage = use 1 3, 5 and 7 stage = use 2
^^^^^^	2/1 to 6 stage = use 1 7 to 10 stage = use 2 12 to 17 stage = use 3 Exception to the above: Low NPSH models 2 to 6 stage = use 0 7 to 10 stage = use 1 12 to 17 stage = use 2
^ +	NPSH Models only 3, 6, 8, 9, & 17 stage = use 1 2, 4, 6, 10, 12 & 14 stage = use 2
^ -	NPSH Models only 3, 6, 8, 9, & 17 stage = use 1
*	Standard use 1. Back-to-Back or Tandem pump version use 2
**	Standard use 1. Back-to-Back or Tandem pump version use 2
***	Standard use 1. Back-to-Back or Tandem pump version use 2
⊖	Standard use 1. CR(I,N)15-2/1 replace with Pos. 69a
# stgs-	Use the number of stages in standard models, less one in de-staged and Low NPSH models.
# imp.-	Use the number of stages in standard models, less one in de-staged and Low NPSH models.
◆◆	Standard use 2. Back-to-Back or Tandem pump version use 3, Cool Top use 1 EPDM or FKM and 2 FXM in lower hot section of pump.
■	Standard use 2. Back-to-Back or Tandem pump version use 6
L*	Is a tip-to-tip length which includes the bends for slot engagement. Bottom tip to bend is 4.5mm shorter than the tip-to-tip value.

Key to Symbols

KITS	Recommended spare part
∅	Diameter
ANSI	American National Standards Institute
CPL	Complete Assembly – these parts consist of more than one component
EPDM	Ethylene Propylene (also known as EPR and EPT) – an elastic substance similar to rubber
FFKM	Kalrez Elastomer made by DuPont
FKM	Fluoro Elastomer (generic for Viton)
FXM	Fluoraz Elastomer made by Greene Tweed
IEC	International Electro-technical Commission (European standards)
M	International standard thread size designation (thread diameter in mm)
mm	Millimeter
MG	Identifies Grundfos motor type/size
N	Stamp code for 316 SS or similar
NBR	Buna - N (also known as Nitrile) – an elastic substance similar to rubber
NEMA	National Electrical Manufacturers Association
NPSH	Net Positive Suction Head
PTFE	Teflon
SiC	Silicon Carbide
SS	Stainless Steel
TC	Tungsten Carbide
UNC	Unified National Coarse – a standard for threads on bolts

Spare Part Kits CRN15-H

SPARE PART KITS

Since certain pump parts can be expected to exhibit wear at the same time as related pump parts, they have been grouped into the following kits for your convenience. The numbers indicate the quantity of the part within each kit. Please order these kits using the kit material number at the top of the columns.

CR(I, N)15 SiC Bearing		Kit No.	96511824		
WEAR PARTS KIT 1-6		Kit No.	96511827		
WEAR PARTS KIT 7-10		Kit No.	96511830		
WEAR PARTS KIT 12-17		Kit No.	96511830		
Pos. No.	Description	Material No.	Qty. Included in each Kit		
4a	Chamber N Cpl. w/Pos.45 & 65 & SiC Bearing	96747343	1	2	3
26b	Bolt for strap, M8 x 25mm, 316 SS w/Delta Seal	96416603	2	2	2
26c	Washer for strap, A4, $\phi 16.0/\phi 8.4 \times 1.6$ mm	00ID3284	2	2	2
45	Neck Ring, $\phi 75.8 \times \phi 59.95 \times 1.5$ mm, PTFE-Acoflon 100	96487400	5	8	14
47a	Bearing Ring/Spacer, SiC 150, $\phi 23.4 \times 14$ mm	96763100	1	2	3
49c	Wear Ring, N, $\phi 59.85 \times 7.4$ mm	330054	6	10	17
61	Stop Spacer, $\phi 29.0 \times \phi 18.4 \times \phi 17.6 \times \phi 15.0 \times 9.5 \times 2$ mm	330072	1	1	1
62	Stop Ring, $\phi 16.6 \times \phi 15.0 \times 1.6$ mm	330057	1	1	1
64a	Spacing Pipe, $\phi 21.5 \times \phi 17.5 \times 17.0$ mm	331416	1	2	3
64b	Clamp, Splined, $\phi 21.5 \times \phi 17.6 \times \phi 15.0 \times 5.0$ mm	331401	1	1	1
64c	Clamp, Splined, $\phi 21.5 \times \phi 17.6 \times \phi 15.0 \times 12.7$ mm	96496311	1	1	1
64d	Spacing Pipe, $\phi 21.5 \times \phi 17.5 \times 12.6$ mm	96491535	1	2	3
65	Neck Ring Retainer, N, $\phi 78.8 \times \phi 61.5 \times 6.7$ mm	330059	5	8	14
66	Lock Washer Set of 2, $\phi 13.5 \times \phi 8.2 \times 2.6$ mm	96417297	1	1	1
67	Lock Nut, 13mm x M8	96496488	1	1	1

STACK KITS (SiC) Pos.80	
Model	Material No.
CRN15-2/1	96491749
CRN15-2	96491760
CRN15-3	96491761
CRN15-4	96491762
CRN15-5	96491763
CRN15-6	96491764
CRN15-7	96491765
CRN15-8	96491766
CRN15-9	96491767
CRN15-10	96491768
CRN15-12	96491769
*** CRN15-14	96491770
*** CRN15-17	96491771

*** For 4 pole & 50 Hz. operation only.

CR(I, N)15 Grafion Bearing		Kit No.	96511826		
WEAR PARTS KIT 1-6		Kit No.	96511829		
WEAR PARTS KIT 7-10		Kit No.	96511832		
WEAR PARTS KIT 12-17		Kit No.	96511832		
Pos. No.	Description	Material No.	Qty. Included in each Kit		
4a	Chamber N Cpl. w/Pos.45 & 65 & Grafion Bearing	96492510	1	2	3
26b	Bolt for strap, M8 x 25mm, 316 SS w/Delta Seal	96416603	2	2	2
26c	Washer for strap, A4, $\phi 16.0/\phi 8.4 \times 1.6$ mm	00ID3284	2	2	2
45	Neck Ring, $\phi 75.8 \times \phi 59.95 \times 1.5$ mm, PTFE-Acoflon 100	96487400	5	8	14
47a	Bearing Ring/Spacer, TC, $\phi 21.9 \times \phi 17.6 \times \phi 15.0 \times 14$ mm	330085	1	2	3
49c	Wear Ring, N, $\phi 59.85 \times 7.4$ mm	330054	6	10	17
61	Stop Spacer, $\phi 29.0 \times \phi 18.4 \times \phi 17.6 \times \phi 15.0 \times 9.5 \times 2$ mm	330072	1	1	1
62	Stop Ring, $\phi 16.6 \times \phi 15.0 \times 1.6$ mm	330057	1	1	1
64a	Spacing Pipe, $\phi 21.5 \times \phi 17.5 \times 17.0$ mm	331416	1	2	3
64b	Clamp, Splined, $\phi 21.5 \times \phi 17.6 \times \phi 15.0 \times 5.0$ mm	331401	1	1	1
64c	Clamp, Splined, $\phi 21.5 \times \phi 17.6 \times \phi 15.0 \times 12.7$ mm	96496311	1	1	1
64d	Spacing Pipe, $\phi 21.5 \times \phi 17.5 \times 12.6$ mm	96491535	1	2	3
65	Neck Ring Retainer, N, $\phi 78.8 \times \phi 61.5 \times 6.7$ mm	330059	5	8	14
66	Lock Washer Set of 2, $\phi 13.5 \times \phi 8.2 \times 2.6$ mm	96417297	1	1	1
67	Lock Nut, 13mm x M8	96496488	1	1	1

CR(I, N)15 Bronze Bearing		Kit No.	96511825		
WEAR PARTS KIT 1-6		Kit No.	96511828		
WEAR PARTS KIT 7-10		Kit No.	96511831		
WEAR PARTS KIT 12-17		Kit No.	96511831		
Pos. No.	Description	Material No.	Qty. Included in each Kit		
4a	Chamber N Cpl. w/Pos.45 & 65 & Bronze Bearing	96492512	1	2	3
26b	Bolt for strap, M8 x 25mm, 316 SS w/Delta Seal	96416603	2	2	2
26c	Washer for strap, A4, $\phi 16.0/\phi 8.4 \times 1.6$ mm	00ID3284	2	2	2
45	Neck Ring, $\phi 75.8 \times \phi 59.95 \times 1.5$ mm, PTFE-Acoflon 100	96487400	5	8	14
47a	Bearing Ring/Spacer, TC, $\phi 21.9 \times \phi 17.6 \times \phi 15.0 \times 14$ mm	330085	1	2	3
49c	Wear Ring, N, $\phi 59.85 \times 7.4$ mm	330054	6	10	17
61	Stop Spacer, $\phi 29.0 \times \phi 18.4 \times \phi 17.6 \times \phi 15.0 \times 9.5 \times 2$ mm	330072	1	1	1
62	Stop Ring, $\phi 16.6 \times \phi 15.0 \times 1.6$ mm	330057	1	1	1
64a	Spacing Pipe, $\phi 21.5 \times \phi 17.5 \times 17.0$ mm	331416	1	2	3
64b	Clamp, Splined, $\phi 21.5 \times \phi 17.6 \times \phi 15.0 \times 5.0$ mm	331401	1	1	1
64c	Clamp, Splined, $\phi 21.5 \times \phi 17.6 \times \phi 15.0 \times 12.7$ mm	96496311	1	1	1
64d	Spacing Pipe, $\phi 21.5 \times \phi 17.5 \times 12.6$ mm	96491535	1	2	3
65	Neck Ring Retainer, N, $\phi 78.8 \times \phi 61.5 \times 6.7$ mm	330059	5	8	14
66	Lock Washer Set of 2, $\phi 13.5 \times \phi 8.2 \times 2.6$ mm	96417297	1	1	1
67	Lock Nut, 13mm x M8	96496488	1	1	1

HQxx SHAFT SEAL KIT, BALANCED CARTRIDGE (Maximum allowed working PSI is 435) (Tandem Seal option Pumps require 2 of each Seal Kit)		Kit No.	96511848					
		Kit No.	96511849					
		Kit No.	96511844					
		Kit No.	96511847					
		Kit No.	96511846					
		Kit No.	96511845					
Pos. No.	Description	Material No.	Qty. Included in each Kit					
105	HQBE	96484076*	1					
	HQBV	96484077*		1				
	HQQE	96484071*			1			
	HQQF	96484075*				1		
	HQQK	96484074*					1	
	HQQV	96484072*						1
N/A	Grinding Device Tool for Emery Cloth	370711	1	1	1	1	1	1
N/A	Emery Cloth	370712	1	1	1	1	1	1

* Seal material number includes the Adjusting fork 96483950.

SPARE PART KITS (Continued)

HUxx SHAFT SEAL KIT, BALANCED CARTRIDGE (Maximum allowed working PSI is 435) (Tandem Seal option Pumps require 2 of each Seal Kit)		Kit No.	96511836	96511839	96511838	96511837	96511840	96511843	96511842	96511841
Pos. No.	Description	Material No.	Qty. Included in each Kit							
105	HUBE	96483952*	1							
	HUBF	96483966*		1						
	HUBK	96483965*			1					
	HUBV	96483964*				1				
	HUUE	96483967*					1			
	HUUF	96484070*						1		
	HUUK	96483969*							1	
	HUUV	96483968*								1
N/A	Grinding Device Tool for Emery Cloth	370711	1	1	1	1	1	1	1	1
N/A	Emery Cloth	370712	1	1	1	1	1	1	1	1

* Seal material number includes the Adjusting fork 96483950.

Standard CR Gasket Kits

GASKET KIT (EPDM)		Kit No.	96509609	96509610	96534871	96533374	96525433	96525434	96525435	96525436
Pos. No.	Description	Material No.	Qty. Included in each Kit							
37	Sleeve O-ring, EPDM (WRC NSF), ϕ 170.7 x 3.3mm	96483101	2	2			3		1	1
	Sleeve O-ring, FKM, ϕ 170.7 x 3.3mm	96483102			2			3		1
37b	Sleeve O-ring, FXM, ϕ 171.25 x 3.3mm	96483109			2					2
	Sleeve O-ring, FFKM, ϕ 170.7 x 3.3mm	96483140				2			2	
37c	Disc Plate O-ring, EPDM, ϕ 155.0 x 3.0mm	96509703								1
	Disc Plate O-ring, FKM, ϕ 155.0 x 3.0mm	96480168								
38, 100(a,b)	Drain Plug O-ring, EPDM, ϕ 16.3 x 2.4mm	00ID1288	3				7		4	1
	Drain Plug O-ring, FKM, ϕ 16.3 x 2.4mm	00ID2231		3				7		4
	Drain Plug O-ring, FXM, ϕ 16.3 x 2.4mm	96442869			3					3
	Drain Plug O-ring, FFKM, ϕ 16.3 x 2.4mm	96428162				3			3	
38a	Drain Plug O-ring, EPDM, ϕ 5.3 x 2.4mm	00ID2142	1				1			
	Drain Plug O-ring, FKM, ϕ 5.3 x 2.4mm	00ID3945						1		
	Drain Plug O-ring, FXM, ϕ 5.3 x 2.4mm	96511292			1					1
	Drain Plug O-ring, FFKM, ϕ 5.3 x 2.4mm	96511293				1			1	
39	Flange O-ring, EPDM, ϕ 90 x 3mm	96496200	2				2			
	Flange O-ring, FKM, ϕ 90 x 3mm	00ID2856		2				2		
	Flange gasket, Fiber, 122mm x ϕ 60 x ϕ 44 x 2mm	420039	2	2	2	2	2	2	2	2
	Flange gasket, Fiber, ϕ 102 x ϕ 65 x 2mm	330035	2	2	2	2	2	2	2	2
	Flange gasket, Fiber, ϕ 92 x ϕ 49 x 2mm	00ID2582	2	2	2	2	2	2	2	2
60(a)	Stack Compression Spring, EPDM, ϕ 11.0x ϕ 7.0x15.5mm	96503070	4				4			4
	Stack Compression Spring, FKM, ϕ 11.0x ϕ 7.0x15.5mm	96503072		4				4		
	Stack Compression Spring, PTFE, ϕ 11.0x ϕ 7.0x15.5mm	96503071			4				4	4
109a	Disc Plate O-ring, EPDM, ϕ 27.5 x 2.75mm	96483103								
	Disc Plate O-ring, FKM, ϕ 27.5 x 2.75mm	96483104								
	Disc Plate O-ring, FXM, ϕ 27.5 x 2.75mm	96483141								1

Add to above standard gaskets to complete desired CRH, CRNH model

Kit, O-ring EPDM CR-H, CRN-H10/15/20/32 GA/G05/G22		Kit No.	96922800	96922802	96922816	96922822	96956134	96956135	96923565	96923571
Pos. No.	Description	Material No.	Qty. Included in each Kit							
72a	O-ring, 2-268 EPDM ϕ 215.5 x 3.5mm	95922038	1				1			
	O-ring, 2-268 Viton ϕ 215.5 x 3.5mm	95922039		1				1		
	O-ring, 2-268 Fluoraz ϕ 215.5 x 3.5mm	95922040			1				1	
	O-ring, 2-268 FFKM ϕ 215.5 x 3.5mm	95131208				1				1
39b	O-ring, 2-230 EPDM ϕ 63.1 x 3.5mm	95922032	1							
	O-ring, 2-230 Viton ϕ 63.1 x 3.5mm	95922033		1						
	O-ring, 2-230 Fluoraz ϕ 63.1 x 3.5mm	95922034			1					
	O-ring, 2-230 FFKM ϕ 63.1 x 3.5mm	95131189				1				
	O-ring, Parker 2-238 EPDM ϕ 88.5 x 3.5mm	95922035					1			
	O-ring, 2-238 Viton ϕ 88.5 x 3.5mm	95922036						1		
	O-ring, 2-238 Fluoraz ϕ 88.5 x 3.5mm	95952037							1	
	O-ring, 2-238 FFKM ϕ 88.5 x 3.5mm	95131207								1

NEMA COUPLING KIT

ϕ 15.9/ ϕ 16		Kit No.	96511353	96753660	96753661	96511356
Pos. No.	Description	Material No.	Qty. Included in each Kit			
9	Allen Screw, M6 x 20mm, Delta Seal	00ID7899	4			
	Allen Screw, M10 x 25mm, Delta Seal	00ID7901		4		4
10	Shaft Pin, ϕ 5 x 26mm, Stainless	310192	1	1	1	1
10a	Coupling, Half set, 56C, 1/3 - 2HP, ϕ 15.8 / ϕ 16	96516777	1			
	Cplg. Half set, 182/184TC, 3-5HP, High, ϕ 28.5/ ϕ 16	96516009		1		
	Cplg. Half set, 213TC, 7.5-10HP, High, ϕ 34.9/ ϕ 16	96516770			1	
	Cplg. Half set, 254TC-284/286TSC, 15-25HP, ϕ 41.2/ ϕ 16	96516771				1
N/A	Adjusting Fork	96483950	1			1

Spare Part Kits CRN15-H

SPARE PART KITS (Continued)

COUPLING GUARD KIT		Kit No. 96509612	
NEMA 56C, 1/3-2HP		Kit No. 96509614	
NEMA 182-215TC (High) & 254TC-286TSC, 3-25HP		Kit No. 96509614	
Pos. No.	Description	Material No.	Qty. Included in each Kit
7	Coupling Guard, W=127mm x H=90.5mm	96491002	2
	Coupling Guard, W=157mm x H=171mm	96490656	2
7a	Screw comb.slot torx/straight slot 4 x 8mm	96488481	4

Air Vent Kit - Horizontal Units		Kit No. 91136720	
CR-H, CRN-H15 to 20		Kit No. 91136720	
Pos. No.	Description	Material No.	Qty. Included in each Kit
117	Air Vent Pipe, short for 118, G1/2, 60x43	96525189	1
117a	Counter Nut for Pipe 117, G1/2	96506709	2
118	Air vent type 1511-AV - 5/6430	96427483	1

ACCESSORIES

ANSI COMPANION FLANGES FOR MEDIUM CR-H, CRN-H		1.5"		1"	
Pos. No.	Description	Material No.	Qty.	Material No.	Qty.
Kit No. 97698645 1.5" x 1" 316SS for GA 150#					
N/A	Bolts	97743748	4	97743748	4
N/A	Flanges	96983498	1	96983497	1
N/A	Gasket	97694409	1	97692916	1
Kit No. 97698646 1.5" x 1" 316SS for GA 300#					
N/A	Bolts	91143035	8	91143029	4
N/A	Flanges	96983496	1	96983495	1
N/A	Gasket	97694408	1	97694407	1
Kit No. 97698647 2" x 1" 316SS for G05 150#					
N/A	Bolts	91143029	4	97743748	4
N/A	Flanges	96983499	1	96983497	1
N/A	Gasket	97692909	1	97692916	1
Kit No. 97698648 2" x 1" 316SS for G05 300#					
N/A	Bolts	97743741	8	91143029	4
N/A	Flanges	00ID7240	1	96983495	1
N/A	Gasket	00ID2747	1	97694407	1
Kit No. 97698649 3" x 1.5" 316SS for GB, G50 and G20 150#					
N/A	Nuts	91143011	4	none	0
N/A	Bolts	91143031	4	97743748	4
N/A	Flanges	91121944	1	96983498	1
N/A	Gasket	560185	1	97694409	1
Kit No. 97698650 3" x 1.5" 316SS for GB, G50 and G20 300#					
N/A	Bolts	91143038	8	91143035	4
N/A	Flanges	91121945	1	96983496	1
N/A	Gasket	91122339	1	97694408	1
Kit No. 97698651 3" x 2" 316SS for GC, G10, G60 and G30 150#					
N/A	Nuts	91143011	4	none	0
N/A	Bolts	91143031	4	91143029	4
N/A	Flanges	91121944	1	96983499	1
N/A	Gasket	560185	1	97692909	1
Kit No. 97698652 3" x 2" 316SS for GC, G10, G60 and G30 300#					
N/A	Bolts	91143038	8	97743741	8
N/A	Flanges	91121945	1	00ID7240	1
N/A	Gasket	91122339	1	00ID2747	1
Kit No. 97743809 2" x 2" 316SS for G22 150#					
N/A	Bolts	91143029	4	91143029	4
N/A	Flanges	96983499	1	96983499	1
N/A	Gasket	97692909	1	97692909	1
Kit No. 97743810 2" x 2" 316SS for G22 300#					
N/A	Bolts	97743741	8	97743741	8
N/A	Flanges	00ID7240	1	00ID7240	1
N/A	Gasket	00ID2747	1	00ID2747	1

ACCESSORIES (Continued)

Baseplate Kit		Kit No.					
139		56C for GA/B/C		97534517			
		182TC for GA/B/C		97534518			
XLBP1		56C for GA/B/C		97534573			
		182TC for GA/B/C		97534574			
Pos. No.	Description	Material No.	Qty. Included in each Kit				
90	Baseplate Cpl. 139, L=991* x W=305* x H=106.4768*	96956336	1	1			
	Baseplate Cpl. XLBP1, L=1500* x W=305* x H=106.4768*	96956376			1	1	
N/A	Slider & fastners for 56C (consists of slider & hardware)	96983855	1		1		
N/A	Slider & fastner for 182TC (consists of slider & hardware)	96983858		1		1	
N/A	Hardware Kit -96983855/68/78 (cont. pos.56f, g, 90a,d & f)**	97501470	1		1		
N/A	Hardware Kit -96983858 (cont. pos.56f & g, 90a, d & f)**	97501481		1		1	
56f	Bolt, Hex Head 1/2 -13 UNC x 1" SAE 5, Zinc plated	N/A	2	2	2	2	
56g	Washer, 1/2" SAE, Zinc plated	N/A	2	2	2	2	
90a	Bolt, Hex Head 5/16 -18 UNC x .75" SAE 5, Zinc plated	N/A	4		4		
	Bolt, Hex Head 3/8 -16 UNC x .5" SAE 5, Zinc plated	N/A		4		4	
90b	Slider, GA/B/C 56C/139BP, L=204* x H=45.5* x W=25.4*	96956339	2		2		
	Slider, GA/B/C 182TC/139 BP, L=230* x H=23* x W=25.4*	96956338		2		2	
90d	Bolt, Hex Head 1/4 -20 UNC x 1" SAE 5, Zinc plated	N/A	4		4		
	Bolt, Hex Head 1/4 -20 UNC x 1.75" SAE 5, Zinc plated	N/A		4		4	
90f	Washer, 5/16" SAE, Zinc plated	N/A	4		4		
	Washer, 3/8" SAE, Zinc plated	N/A		4		4	

* Values in mm, Length (L) is +/- 2mm, Height (H) is +/- 1mm, Width (W). ** Hardware kits 97501470 and 81 are also available for sale.

Baseplate Kit		Kit No.					
148		213TC for GA/B/C		97534520			
		254TC for GA/B/C		97534531			
XLBP2		213TC for GA/B/C		97573875			
		254TC for GA/B/C		97534579			
Pos. No.	Description	Material No.	Qty. Included in each Kit				
90	Baseplate Cpl. 148, L=1219* x W=381* x H=107.9*	96956346	1	1			
	Baseplate Cpl. XLBP2, L=1777.8* x W=381* x H=107.9*	96956377			1	1	
N/A	Slider & fastners for 213TC (consists of slider & hardware)	96983859	1		1		
N/A	Slider & fastner 254TC (cont. of 56k, slider & hardware)	96983862		1		1	
N/A	Hardware Kit -96983859 (consists of pos.56f, g, 90a,d & f)**	97501482	1		1		
N/A	Hardware Kit -96983862 (cont. pos.56f, g & m, 90a, d & f)**	97501483		1		1	
56f	Bolt, Hex Head 1/2 -13 UNC x 1.25" SAE 5, Zinc plated	N/A	2		2		
	Bolt, Hex Head 1/2 -13 UNC x 2.25" SAE 5, Zinc plated	N/A		2		2	
56g	Washer, 1/2" SAE, Zinc plated	N/A	2		2	2	
56k	Volute Spacer, 148 BP 254T, L=200* x H=25.4* x W=78.2	96956349		1		1	
56m	Slotted Spring Pin ϕ 3/16" x 1" Zinc Plated	N/A		2		2	
90a	Bolt, Hex Head 3/8 -16 UNC x 5/8" SAE 5, Zinc plated	N/A	4		4		
	Bolt, Hex Head 1/2 -13 UNC x 1.5" SAE 5, Zinc plated	N/A		4		4	
90b	Slider, GA/B/C 213TC/148BP, L=252* x H=20* x W=25.4*	96956347	2		2		
	Slider, GA/B/C 254TC/148BP, L=299* x H=20.3* x W=38.1*	96956348		2		2	
90d	Bolt, Hex Head 1/4 -20 UNC x 1.75" SAE 5, Zinc plated	N/A	4		4		
	Bolt, Hex Head 1/4 -20 UNC x 2.5" SAE 5, Zinc plated	N/A		4		4	
90f	Washer, 3/8" SAE, Zinc plated	N/A	4		4		
	Washer, 1/2" SAE, Zinc plated	N/A		4		4	

* Values in mm, Length (L) is +/- 2mm, Height (H) is +/- 1mm, Width (W). ** Hardware kits 97501482 and 83 are also available for sale.

Baseplate Kit		Kit No.			
XLBP4		284TC for GA/B/C		97534594	
Pos. No.	Description	Material No.	Qty. Included in each Kit		
90	Baseplate Cpl. XLBP4, L=2406.4* x W=457.2* x H=194*	96957102	1		
N/A	Slider & fastners for 284TC (consists of slider & hardware)	96983863	1		
N/A	Hardware Kit -96983871 (cont. of pos.56f & g, 90a,d & f)**	97501484	1		
56f	Bolt, Hex Head 1/2 -13 UNC x 1.25" SAE 5, Zinc plated	N/A	2		
56g	Washer, 1/2" SAE, Zinc plated	N/A	2		
90a	Bolt, Hex Head 1/2 -13 UNC x 1.5" SAE 5, Zinc plated	N/A	4		
90b	Slider, GA/B/C, 284TC/153BP, L=366* x H=46* x W=25.4*	96956351	2		
90d	Bolt, Hex Head 1/4 -20 UNC x 2.25" SAE 5, Zinc plated	N/A	4		
90f	Washer, 1/2" SAE, Zinc plated	N/A	4		

* Values in mm, Length (L) is +/- 2mm, Height (H) is +/- 1mm, Width (W). ** Hardware kit 97501484 is also available for sale.

Spare Part Kits CRN15-H

ACCESSORIES (Continued)

Baseplate Kit		Kit No.				
245	56C for G05/10/50/60/70/22/33/44	97534535				
	182TC for G05/10/50/60/70/22/33/44		97534536			
XLBP1	56C for G05/10/50/60/70/22/33/44		97534575			
	182TC for G05/10/50/60/70/22/33/44		97534576			
Pos. No.	Description	Material No.	Qty. Included in each Kit			
90	Baseplate Cpl. 245, L=1143* x W=305* x H=106.4768*	96956341	1	1		
	Baseplate Cpl. XLBP1, L=1500* x W=305* x H=106.4768*	96956376			1	1
N/A	Slider & fastners for 56C (consists of slider & hardware)	96983868	1		1	
N/A	Slider & fastner for 182TC (consists of slider & hardware)	96983869		1		1
N/A	Hardware Kit -96983855/68/78(cont. pos.56f, g, 90a,d& f)**	97501470	1		1	
N/A	Hardware Kit -96983869/79 (cont. pos.56f & g, 90a, d & f)**	97501488		1		1
56f	Bolt, Hex Head 1/2 -13 UNC x 1" SAE 5, Zinc plated	N/A	2	2	2	2
56g	Washer, 1/2" SAE, Zinc plated	N/A	2	2	2	2
90a	Bolt, Hex Head 5/16 -18 UNC x .75" SAE 5, Zinc plated	N/A	4	4	4	4
90b	Slider, G05/22 - 56C/245BP, L=204* x H=125.5* x W=25.4*	96956343	2		2	
	Slider, G05/22 - 182T/245 BP, L=230* x H=100* x W=25.4*	96956342		2		2
90d	Bolt, Hex Head 1/4 -20 UNC x 1" SAE 5, Zinc plated	N/A	4		4	
	Bolt, Hex Head 1/4 -20 UNC x 2.5" SAE 5, Zinc plated	N/A		4		4
90f	Washer, 5/16" SAE, Zinc plated	N/A	4	4		4

* Values in mm, Length (L) is +/- 2mm, Height (H) is +/- 1mm, Width (W). ** Hardware kits 97501470 and 88 are also available for sale.

Baseplate Kit		Kit No.				
252	213TC for G05/10/50/60/70/22/33/44	97534539				
XLBP2	213TC for G05/10/50/60/70/22/33/44		97573873			
Pos. No.	Description	Material No.	Qty. Included in each Kit			
90	Baseplate Cpl. 252, L=1321* x W=381* x H=107.9*	96956356	1			
	Baseplate Cpl. XLBP2, L=1777.8* x W=381* x H=107.9*	96956377			1	
N/A	Slider & fastners for 213TC (consists of slider & hardware)	96983870	1		1	
N/A	Hardware Kit -96983870/80 (cont. of pos.56f, g, 90a,d & f)**	97501489	1		1	
56f	Bolt, Hex Head 1/2 -13 UNC x 1.25" SAE 5, Zinc plated	N/A	2		2	
56g	Washer, 1/2" SAE, Zinc plated	N/A	2		2	
90a	Bolt, Hex Head 3/8 -16 UNC x 1" SAE 5, Zinc plated	N/A	4		4	
90b	Slider, G05/22, 213TC/252BP, L=252* x H=96.5* x W=25.4*	96956357	2		2	
90d	Bolt, Hex Head 1/4 -20 UNC x 1.75" SAE 5, Zinc plated	N/A	4		4	
90f	Washer, 3/8" SAE, Zinc plated	N/A	4		4	

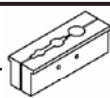
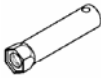


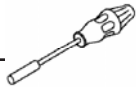
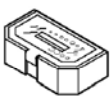


* Values in mm, Length (L) is +/- 2mm, Height (H) is +/- 1mm, Width (W). ** Hardware kit 97501489 is also available for sale.

Baseplate Kit		Kit No.				
258	254-286TC for G05/10/50/60/70/22/33/44	97534543				
XLBP3	254-286TC for G05/10/50/60/70/22/33/44		97573876			
Pos. No.	Description	Material No.	Qty. Included in each Kit			
90	Baseplate Cpl. 258, L=1473.2* x W=457.2* x H=119.1*	96956360	1			
	Baseplate Cpl. XLBP3, L=2406.4* x W=457.2* x H=119.1*	96956379			1	
N/A	Slider & fastners for 254TC (consists of slider & hardware)	96983871	1		1	
N/A	Hardware Kit -96983871 (cont. of pos.56f & g, 90a,d & f)**	97501493	1		1	
56f	Bolt, Hex Head 1/2 -13 UNC x 1" SAE 5, Zinc plated	N/A	2		2	
56g	Washer, 1/2" SAE, Zinc plated	N/A	2		2	
90a	Bolt, Hex Head 1/2 -13 UNC x 1.25" SAE 5, Zinc plated	N/A	4		4	
90b	Slider, G05/22, 254TC/258BP, L=354* x H=67* x W=25.4*	96956361	2		2	
90d	Bolt, Hex Head 1/4 -20 UNC x 1.75" SAE 5, Zinc plated	N/A	4		4	
90f	Washer, 1/2" SAE, Zinc plated	N/A	4		4	

* Values in mm, Length (L) is +/- 2mm, Height (H) is +/- 1mm, Width (W). ** Hardware kit 97501493 is also available for sale.

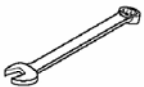






SPECIAL TOOLS

Tools not generally available from normal sources.

Mat. No.	Description and Use	
005V0040	Shaft Holder for Dismantling/Assembly Used to hold and protect the shaft during dismantling and assembly.	
005V2107	Tubular Box Spanner for Shaft Seal 41.0 mm Used to install and remove the shaft seal. Fits a 1/2" drive ratchet.	
005V2101	Ring Insert Tool for Shaft Seal + Square 41 mm x 1/2" drive	
005V0239	Puller for Neck Ring Used to remove the Neck Ring from Chamber.	
005V2011	Bit Holder Used with Bits Kit, 1/4"	
005V2010	Bits Kit NV 5 mm for M6, 1/4" NV 6 mm for M8, 1/4" NV 8 mm for M10, 1/4"	
005V2012	Hexagon Socket Bit Used for Shaft Seal NV 2.5 mm for M5, 1/4"	
005V2127	Bearing Removal Punch	

STANDARD TOOLS

In addition to being available from Grundfos, comparable tools can be purchased through normal sources.

Mat. No.	Description and Use	
005V0083 005V0055 005V0054 005V0122	Wrenches Used to tighten various nuts. NV 10 mm for M6 NV 13 mm for M8 NV 19 mm for M12 NV 24 mm for M16	
005V0292 005V0269 005V0400	Torque Wrench Used to torque various screws. 4-20 Nm, 9 x 12 20-100 Nm, 9 x 12 40-200 Nm, 14x18	
005V0438	Torque Screwdriver Used to tighten various nuts. 1-6 Nm, 1/4"	
005V0295 005V0401	Ratchet Spanner for all Adapters 9 mm x 12 mm, 1/2" 14 mm x 18 mm, 1/2"	
005V0296 005V0297 005V0298	Socket Spanner with Inside Hex NV 5 mm for M6, 1/2" x 1/2" NV 6 mm for M8, 1/2" x 1/2" NV 8 mm for M10, 1/2" x 1/2"	
005V0310 005V0294 005V0271 005V0524	Ring Spanner NV 10 mm, 9 x 12, for M6 NV 13 mm, 9 x 12, for M8 NV 19 mm, 9 x 12, for M12 NV 24 mm, 14 x 18, for M16	
005V2013 005V0267	Socket Spanner NV 13 mm for M8, 1/2" drv. NV 19 mm for M12, 1/2" drv.	

BE > THINK > INNOVATE >

Being responsible is our foundation
Thinking ahead makes it possible
Innovation is the essence



L-CR-SM-053 11/11 US

©2011 Grundfos Pumps Corp.

Subject to alterations.

GRUNDFOS Pumps Corporation
17100 W. 118th Terrace
Olathe, Kansas 66062
Phone: 913.227.3400
Fax: 913.227.3500
www.grundfos.com

GRUNDFOS Canada, Inc.
2941 Brighton Road
Oakville, Ontario L6H 6C9 Canada
Phone: 905.829.9533
Fax: 905.829.9512

Bombas GRUNDFOS de Mexico S.A. de C.V.
Boulevard TLC No. 15
Parque Industrial Stiva Aeropuerto
Apodaca, N.L. Mexico 66600
Phone: 52.81.8144.4000
Fax: 52.81.8144.4010

GRUNDFOS 