

# FAB32ULPB3



|                 |               |
|-----------------|---------------|
| Product family  | Refrigerator  |
| Installation    | Free-standing |
| Category        | Bottom mount  |
| No-frost system | Total         |
| Cooling type    | No Frost      |
| Defrost         | Automatic     |
| Hinge position  | Left          |
| EAN code        | 8017709272005 |



## Aesthetic

|               |             |                           |           |
|---------------|-------------|---------------------------|-----------|
| Aesthetics    | Retro-style | Logo                      | Applied   |
| Color         | Pastel blue | Door shelf profile color  | Chromed   |
| Finishing     | Glossy      | Drawers profile color     | Chromed   |
| Handle color  | Chromed     | Glass shelf profile color | Chromed   |
| Side material | Steel       | Display                   | 7 segment |
| Side color    | Pastel blue |                           |           |

## Refrigerator compartment features



|  |          |                       |       |
|--|----------|-----------------------|-------|
| No. of adjustable shelves              | 3        | Type of crisper cover | Glass |
| Number of fruit and vegetables drawers | 1        | LifePlus zone - 32°F  | Yes   |
| Type of adjustable shelves             | Glass    | Refrigerator lighting | Yes   |
| Crisper drawer type                    | Standard | Refrigerator lighting | LED   |
| Crisper cover                          | Yes      |                       |       |

## Refrigerator Inner Door

|  |   |                            |     |
|--|---|----------------------------|-----|
| No. of door shelves with transparent cover | 1 | No. of bottle shelves      | 1   |
| Number of adjustable door shelves          | 2 | Door bin with wire support | Yes |

**Adjustable door bins with wire support** Yes

## Other Refrigerator features



**Accessories**  
MultiFlow

**Egg tray**  
Yes

**Fan**

Yes

## Freezer features

**Number of drawers** 2  
**No. of compartments with flap** 1

**Shelf type** Plastic

## Other Freezer features



**Accessories**

1 x ice box

**Fast-freezing compartment**

Yes

## Other technical features



**Display functions**

Holiday, Fast-freezing, Fast-cooling, ECO, Temperature alarm

**Fast-freezing button**

Yes

**Power-on light**

Yes

**Temperature alarm**

Yes

**Door open alarm**

Acoustic and visual

**Temperature Alarm**

Yes

**Temperature setting type**

Electronic

**No. of compressors**

1

**Refrigerant gas type**

R600a

**Compressor type**

Inverter

**Refrigerant quantity**

2.1 oz

**Foam agent**

Cyclopentane

## Performance / Energy Label NEW

**Noise level** 37 dB(A) re 1pW

**Freezer capacity** 3.99 cu. ft.

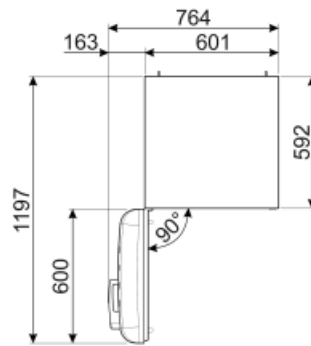
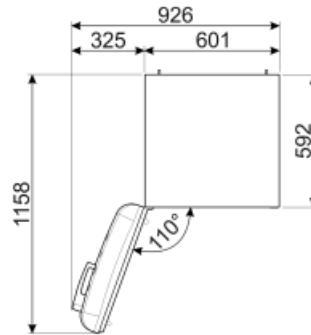
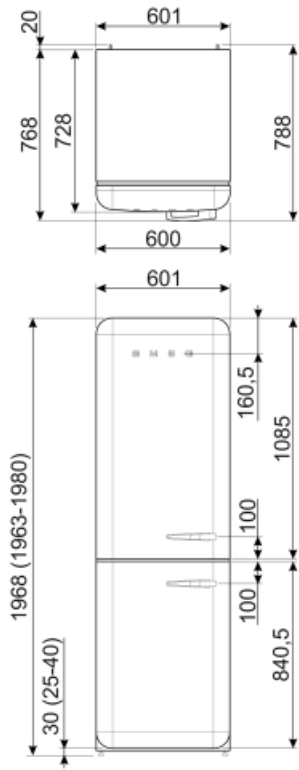
## Electrical Connection

**Plug** (A) USA & Mexico

**Voltage (V)** 115 V

Electrical connection rating 127 W  
Current 1.2 A











Frequency (Hz) 50/60 Hz  
Power cord length 78 3/4 "



---

## Symbols glossary (TT)

---

- |  |  |   |   |
|--|--|---|---|
|  | The automatic defrost system works by automatically defrosting at regular intervals eliminating the need to defrost altogether.            |  | Economical mode: Analyzes fridge functioning during the activation and optimizes the operating cycle in order to reduce power consumption.  |
|  | Ventilated: Forced distribution of cold air in the refrigerator compartment, which allows even temperature distribution within the fridge. |  | Fast freezing: The fast freezing function brings the temperature of the compartment down when activated a few hours prior to usage.   |
|  | Power saving mode: The power saving mode allows you to disable the refrigerator and keep the freezer working.                              |  | LED interior lighting: is a more energy efficient and long lasting way of illuminating the interior of the appliance.   |
|  | Life Plus 0°C: The temperature in the Lifeplus compartments is kept at 0°C, which preserves fresh meat and fish longer.                    |  | Inverter technology: The evolution of Smeg's driers towards more intelligent and environmentally sustainable models has led to the choice of using Inverter technology with heat pumps, which reduces significantly energy consumption. |
|  | Air plus: keeps food fresher for longer.   |  | No Frost: The No Frost and Frost free systems prevent ice from forming so that no defrosting is required.   |