

# FAB38ULWH



Product family	Refrigerator
Installation	Free-standing
Category	Bottom mount
No-frost system	Total
Cooling type	Total no-frost - Dual-flow cooling system
Defrost	Automatic
Hinge	Standard
Hinge position	Left
EAN code	8017709291457



## Aesthetic



Aesthetics	Retro-style	Logo	Applied
Color	White	Door shelf profile color	Silver
Finishing	Glossy	Drawers profile color	Silver
Design	Rounded	Glass shelf profile color	Silver
Handle color	Chromed	Display	LED
Side material	Steel	Display position	Internal
Side color	White	Available colors	Pastel blue, White, Black, Cream, Red, Pastel green

## Refrigerator compartment features



No. of adjustable shelves	3	Type of crisper cover	Glass
Number of fruit and vegetables drawers	1	LifePlus zone - 32°F	28° to 37°F
Type of adjustable shelves	Glass	Refrigerator lighting	Yes
Crisper drawer type	Sliding crisper	Refrigerator lighting	LED
Crisper cover	Yes		

## Refrigerator Inner Door

Number of adjustable door shelves	3	No. of bottle shelves	1
-----------------------------------	---	-----------------------	---

## Other Refrigerator features



MultiFlow	Yes	Ionizer	Yes
Fan	Yes		

## Freezer features

Number of drawers	2	No. of compartments with flap	1
No. of shelves	2	Shelf type	Glass

## Other Freezer features



Ice-maker	Yes	Fast-freezing compartment	Yes
Ice maker	Manual		

## Other technical features



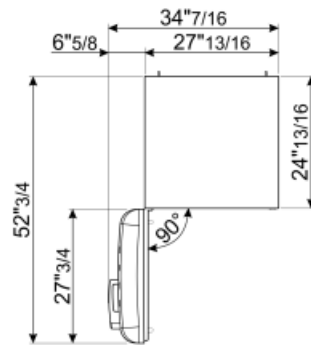
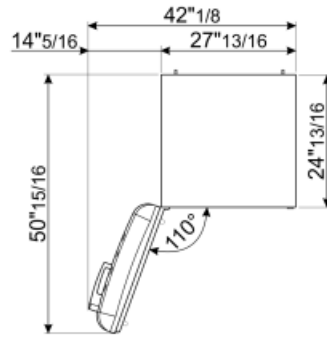
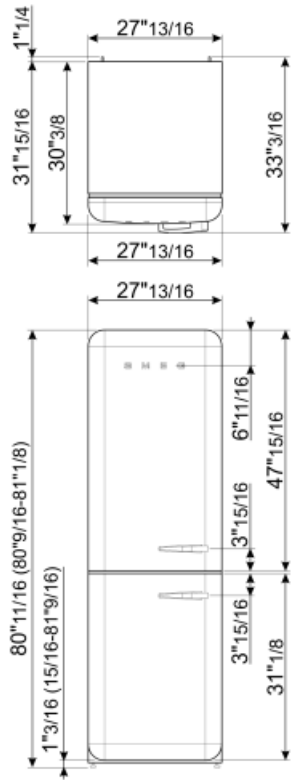
Display functions	Fast-freezing, ECO, Temperature alarm
Fast-freezing button	Yes
Temperature alarm	Yes
Door open alarm	Acoustic and visual
Temperature Alarm	Yes
Temperature setting type	Electronic
No. of compressors	1
Refrigerant gas type	R600a
Compressor type	Inverter
Refrigerant quantity	1.5 oz
Foam agent	Cyclopentane

## Performance / Energy Label NEW

Noise level	42 dB(A) re 1pW	Climatic class	SN, N, ST, T
-------------	-----------------	----------------	--------------

## Electrical Connection











Plug	(A) USA & Mexico	Frequency (Hz)	60 Hz
Current	2,3 A	Power cord length	70 7/8 "
Voltage (V)	120 V		



---

## Symbols glossary (TT)

---

	Smeg Active Ion system improves the quality of the air inside the cell. Thanks to the generation of negatively charged ions released inside the fridge Active Ion system neutralizes unpleasant dust.		The automatic defrost system works by automatically defrosting at regular intervals eliminating the need to defrost altogether.
	LED display: to show programmes, functions and options selected and the time to the end of the cycle.		Economical mode: Analyzes fridge functioning during the activation and optimizes the operating cycle in order to reduce power consumption.
	Ventilated: Forced distribution of cold air in the refrigerator compartment, which allows even temperature distribution within the fridge.		Fast freezing: The fast freezing function brings the temperature of the compartment down when activated a few hours prior to usage.
	LED interior lighting: is a more energy efficient and long lasting way of illuminating the interior of the appliance.		Life Plus 0°C: The temperature in the Lifeplus compartments is kept at 0°C, which preserves fresh meat and fish longer.
	Inverter technology: The evolution of Smeg's driers towards more intelligent and environmentally sustainable models has led to the choice of using Inverter technology with heat pumps, which reduces significantly energy consumption.		Air plus: keeps food fresher for longer.