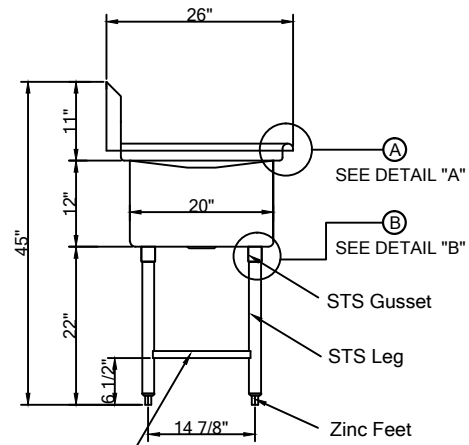


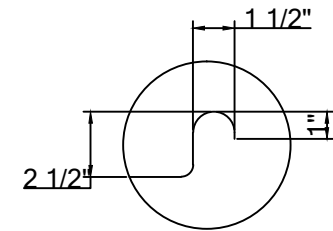
FRONT ELEVATION



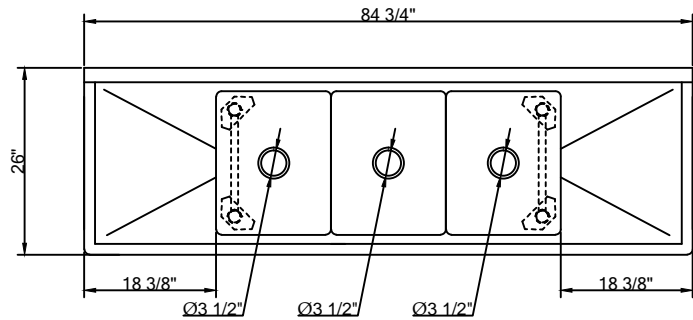
SIDE VIEW

1" square tubing welded in place

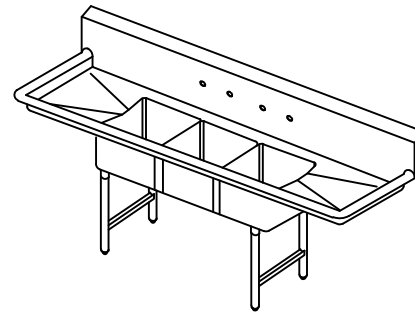
- 18GA. 304 Stainless Steel Construction.
- STS Gusset and STS Leg and Zinc Feet.
- Wall Bracket



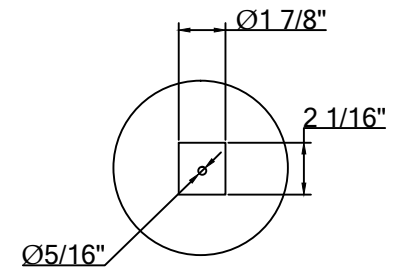
DETAIL "A"



PLAN VIEW



ISOMETRIC



DETAIL "B"

DRAWIN FOR :	MAT.	TOP : 18GA. 304 S/S. BASE :	DATE	REVISIONS	<h1>Tarrison Products Ltd.</h1>
REF. NO :	REQ'D/ITEM :				
ITEM NAME : 3 Compartment Sink	DATE : Aug / 30 / 2016				
PROD. NO. : TA-PS31620LR	BY :				
SCALE: 1/2" =1'-0"	CHECKED BY :				