

**Refrigeration Equipment  
Merchandiser Refrigerator, 12  
cu.ft - 1 Glass Door, black (R290)**

ITEM # \_\_\_\_\_

MODEL # \_\_\_\_\_

NAME # \_\_\_\_\_

SIS # \_\_\_\_\_

AIA # \_\_\_\_\_



738247 (KCHGM12R)

1-glass door merchandiser refrigerator, black, 12 cubic feet, R290 refrigerant gas, +33/+41°F

**Short Form Specification**

Item No. \_\_\_\_\_

1-glass door refrigerator with exterior back and bottom panel in galvanized steel, exterior side and top in painted steel; interior back, side top and bottom panels in 304 stainless steel.  
Electronic control.

R290 gas in refrigeration circuit.  
ETL Safety and Sanitation certified.  
3/5 Years warranty.

**Main Features**

- External temperature display.
- Removable door gasket for easy cleaning operations.
- Hydrocarbon refrigerant gas R290 for the lowest environmental impact (GWP=3) - CFC and HCFC free.
- Fin & Tube Condenser improves performance in high temperature environments.
- Automatic Defrost Cooling System provides worry-free performance.
- Heavy duty Vinyl coated steel shelves.
- High efficiency components to minimize the energy consumption still guaranteeing the highest performances.
- Cabinet and door insulated with high density polyurethane for low environmental impact.
- CFC and HCFC free, highly ecological refrigerant type: R290 (ecological gas in foam: cyclopentane). Hydrocarbon refrigerant gas R290 for the lowest environmental impact (GWP=3), to reduce green house and ozone depletion effects.
- Interior LED light to save energy and for best internal visibility.

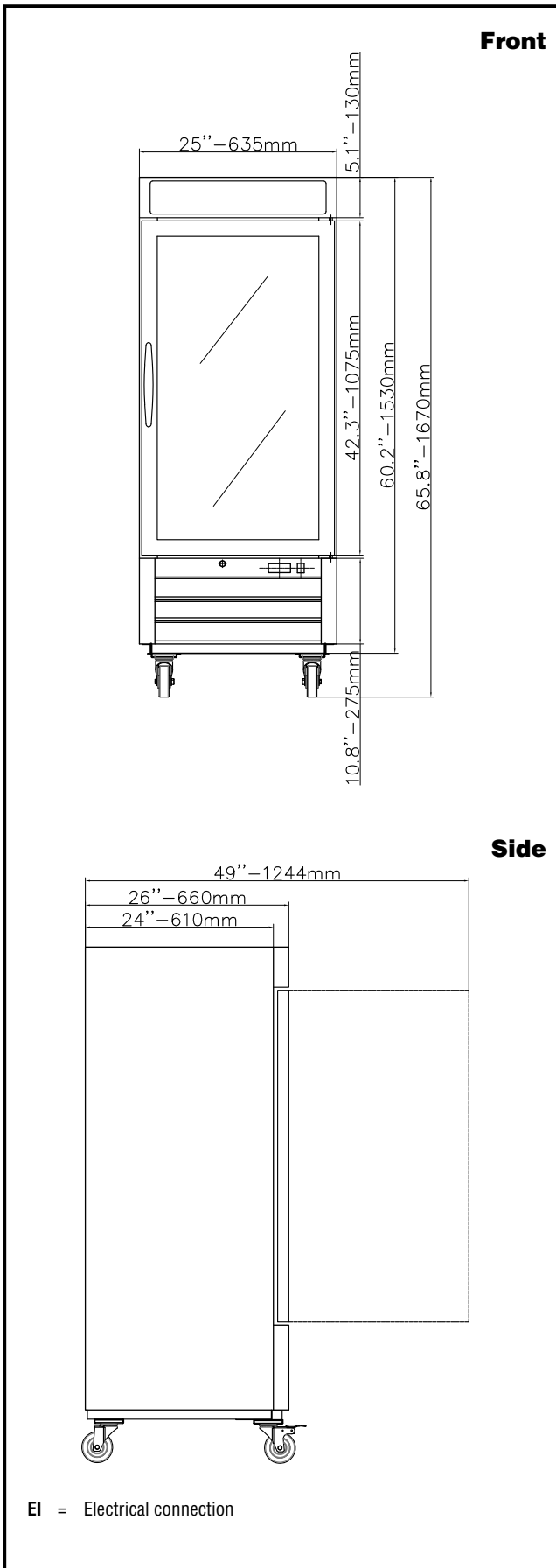
**Construction**

- Lockable door.
- Electronic control to select temperatures.
- Pre-wired heavy duty power cord.
- Heavy duty door hinges.
- Magnetic door gasket removable without tools for easy cleaning.

**Optional Accessories**

- shelf clips PNC 880611

APPROVAL: \_\_\_\_\_



## Electric

<b>Supply voltage:</b>	
738247 (KCHGM12R)	115 V/1 ph/60 Hz
<b>Electrical power, max:</b>	0.3 kW
<b>Current consumption:</b>	3 Amps
<b>Plug type:</b>	USA NEMA 5-15P

## Key Information:

<b>Capacity (Cu.Ft.)</b>	12
<b>Door hinges:</b>	Right Side
<b>External dimensions, Width:</b>	25 " (635 mm)
<b>External dimensions, Depth:</b>	26 " (660 mm)
<b>External dimensions, Height:</b>	65 3/4" (1670 mm)
<b>Number and type of doors:</b>	1 Glass
<b>Internal Dimensions (depth):</b>	18 5/16"
<b>Internal Dimensions (height):</b>	46 1/16"
<b>Internal Dimensions (width):</b>	18 7/8"
<b>Number and type of grids (included):</b>	4 - Vinyl-Coated Steel
<b>Shipping height:</b>	68 11/16" (1745 mm)
<b>Shipping weight:</b>	254 lbs (115 kg)
<b>Shipping volume:</b>	30.57 ft <sup>3</sup> (0.87 m <sup>3</sup> )
<b>Type of external material:</b>	Black Prepainted Steel
<b>Type of internal material:</b>	White Prepainted Aluminium
<b>Warranty:</b>	3 / 5 years

## Refrigeration Data

<b>Compressor Horsepower:</b>	1/5
<b>Refrigerant type:</b>	R290
<b>Refrigerant weight:</b>	85 g
<b>Operating temperature min.:</b>	32 °F
<b>Operating temperature max.:</b>	41 °F
<b>Condenser type:</b>	Fin & tube
<b>Defrost type:</b>	Auto Defrost