

SINKS

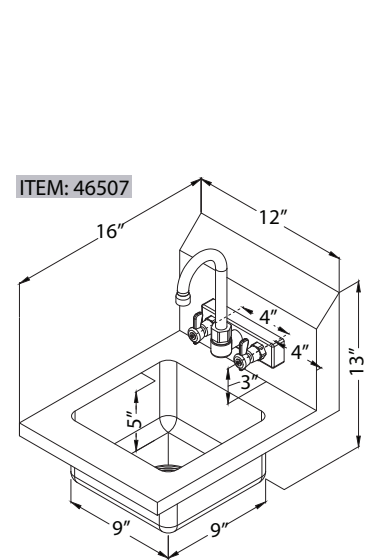
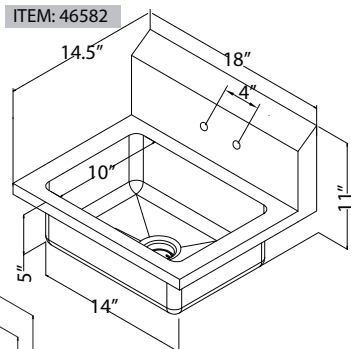
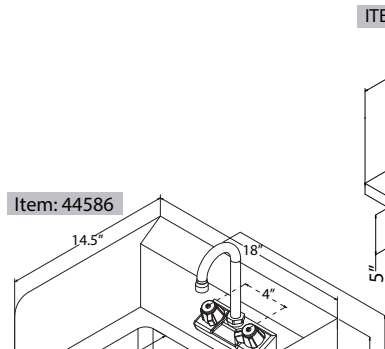
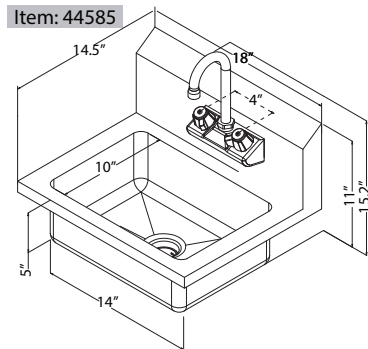
FABRICATED HAND SINKS



FABRICATED HAND SINKS

- Made of high quality 18 Gauge, 304 stainless steel
- Comes with 4" low lead gooseneck faucet and 1.5" drain basket
- Sinks are NSF

ITEM	DESCRIPTION	BOWL DIMENSIONS (LWH)	DIMENSIONS	GROSS WEIGHT
44585	Fabricated Hand Sink Comes with 4" Gooseneck Faucet and Drain Basket	10" x 14" x 5" 254 x 355.6 x 127 mm	14.5" x 18" x 11" (15.25" including faucet) 368 x 457 x 279.4mm (387 mm)	5.6 kg
44586	Fabricated Hand Sink with Side Splashes Comes with 4" Gooseneck Faucet and Drain Basket	10" x 14" x 5" 254 x 355.6 x 127 mm	14.5" x 18" x 11" (15.25" including faucet) 368 x 457 x 279.4mm (387 mm)	6.8 kg
46582	Fabricated Hand Sink with Two Holes	10" x 14" x 5" 254 x 355.6 x 127 mm	14.5" x 18" x 11" / 368 x 457 x 279.4 mm	4.2 kg
46507	Fabricated Hand Sink with 4" Gooseneck Faucet and Drain Basket	9" x 9" x 5" 228.6 x 228.6 x 127 mm	16" x 12" x 13" / 406 x 304.8 x 330.2 mm	4.6 kg.
46888	Replacement Faucet for 44585, 44586 and 46507	n/a	n/a	n/a
44743	Replacement Cartridges / Pair Hot and Cold for faucet item# 46889	n/a	n/a	n/a
14337	1.5" Drain Basket With Stopper	n/a	n/a	n/a



OMCAN INC.

Telephone: 1-800-465-0234
 Fax: (905) 607-0234
 E-mail: sales@omcan.com
 Website: www.omcan.com



Follow us to keep up to date with the latest news and offers

