

# FAB38URCR



Product family	Refrigerator
Installation	Free-standing
Category	Bottom mount
No-frost system	Total
Cooling type	Total no-frost - Dual-flow cooling system
Defrost	Automatic
Hinge	Standard
Hinge position	Right
EAN code	8017709291426



## Aesthetic



Aesthetics	Retro-style	Logo	Applied
Color	Cream	Door shelf profile color	Silver
Finishing	Glossy	Drawers profile color	Silver
Design	Rounded	Glass shelf profile color	Silver
Handle color	Chromed	Display	LED
Logo color	Chromed	Display position	Internal
Side material	Steel	Available colors	Pastel blue, White, Black, Cream, Red, Pastel green
Side color	Cream		

## Refrigerator compartment features



No. of adjustable shelves	3	Type of crisper cover	Glass
Number of fruit and vegetables drawers	1	LifePlus zone - 32°F	28° to 37°F
Type of adjustable shelves	Glass	Refrigerator lighting	Yes
Crisper drawer type	Sliding crisper	Refrigerator lighting	LED
Crisper cover	Yes		

## Refrigerator Inner Door

Number of adjustable door shelves	3	No. of bottle shelves	1
-----------------------------------	---	-----------------------	---

## Other Refrigerator features



<b>MultiFlow</b>	Yes	<b>Ionizer</b>	Yes
<b>Fan</b>	Yes		

## Freezer features

<b>Number of drawers</b>	2	<b>No. of compartments with flap</b>	1
<b>No. of shelves</b>	2	<b>Shelf type</b>	Glass

## Other Freezer features



<b>Ice-maker</b>	Yes	<b>Fast-freezing compartment</b>	Yes
<b>Ice maker</b>	Manual		

## Other technical features



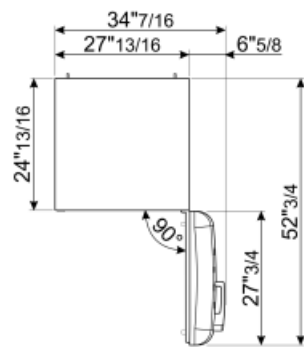
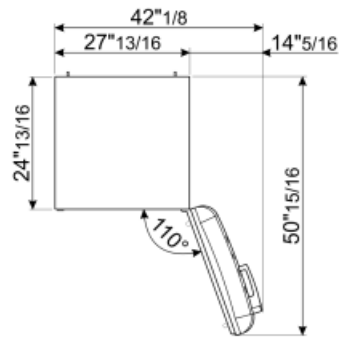
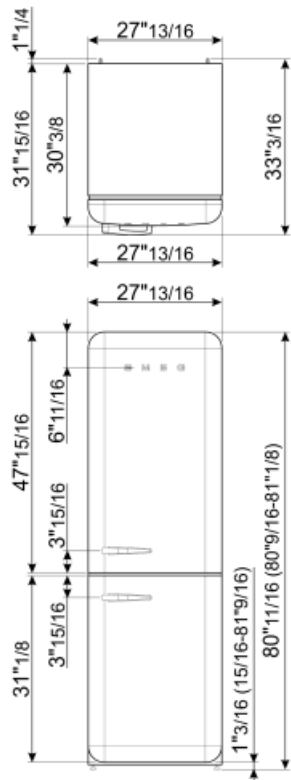
<b>Display functions</b>	Fast-freezing, ECO, Temperature alarm
<b>Fast-freezing button</b>	Yes
<b>Temperature alarm</b>	Yes
<b>Door open alarm</b>	Acoustic and visual
<b>Temperature Alarm</b>	Yes
<b>Temperature setting type</b>	Electronic
<b>No. of compressors</b>	1
<b>Refrigerant gas type</b>	R600a
<b>Compressor type</b>	Inverter
<b>Refrigerant quantity</b>	1.5 oz
<b>Foam agent</b>	Cyclopentane

## Performance / Energy Label NEW

<b>Noise level</b>	42 dB(A) re 1pW	<b>Climatic class</b>	SN, N, ST, T
--------------------	-----------------	-----------------------	--------------

## Electrical Connection











<b>Plug</b>	(A) USA & Mexico	<b>Frequency (Hz)</b>	60 Hz
<b>Current</b>	2.3 A	<b>Power cord length</b>	70 7/8 "
<b>Voltage (V)</b>	120 V		



---

## Symbols glossary (TT)

---

	Smeg Active Ion system improves the quality of the air inside the cell. Thanks to the generation of negatively charged ions released inside the fridge Active Ion system neutralizes unpleasant dust.		The automatic defrost system works by automatically defrosting at regular intervals eliminating the need to defrost altogether.
	LED display: to show programmes, functions and options selected and the time to the end of the cycle.		Economical mode: Analyzes fridge functioning during the activation and optimizes the operating cycle in order to reduce power consumption.
	Ventilated: Forced distribution of cold air in the refrigerator compartment, which allows even temperature distribution within the fridge.		Fast freezing: The fast freezing function brings the temperature of the compartment down when activated a few hours prior to usage.
	LED interior lighting: is a more energy efficient and long lasting way of illuminating the interior of the appliance.		Life Plus 0°C: The temperature in the Lifeplus compartments is kept at 0°C, which preserves fresh meat and fish longer.
	Inverter technology: The evolution of Smeg's driers towards more intelligent and environmentally sustainable models has led to the choice of using Inverter technology with heat pumps, which reduces significantly energy consumption.		Air plus: keeps food fresher for longer.