

# COMFORT

Circulator pumps for hot-water recirculation

115/230 V, 50/60 Hz



<b>1. Product description</b> .....	<b>3</b>
Performance range .....	3
Features .....	4
Applications .....	4
<b>2. Product numbers</b> .....	<b>5</b>
International, DACH, GB, CN, 1×230V, 50/60 Hz ...	5
COMFORT, North America, 1×115-230V, 60 Hz ...	5
Type key .....	6
<b>3. Control modes</b> .....	<b>7</b>
Continuous operation 24/7 .....	7
Temperature control .....	7
Temperature+ control .....	7
Timer .....	8
AUTOADAPT .....	8
<b>4. Construction</b> .....	<b>10</b>
Electrical insulation .....	10
Motor .....	10
Stator .....	10
Spherical separator .....	10
Bearing pin and bearing ball .....	10
Rotor .....	10
Pump housing .....	11
Isolating valve and non-return valve .....	11
Seal ring .....	11
Union nut .....	11
Sectional drawing .....	12
Material specification .....	12
<b>5. Operating conditions</b> .....	<b>13</b>
Technical data .....	13
Installation requirement .....	13
<b>6. Performance curves</b> .....	<b>14</b>
Curve conditions .....	14
Data sheets .....	15
<b>7. Accessories</b> .....	<b>35</b>
Union sets and valves for International COMFORT variants .....	35
Union sets and valves for North American COMFORT variants .....	35
Miscellaneous .....	36
Spare parts .....	36
<b>8. Grundfos Product Center</b> .....	<b>37</b>
<b>9. Document quality feedback</b> .....	<b>38</b>

## 1. Product description



COMFORT TA International version

COMFORT pumps are efficient circulators designed for hot-water recirculation in residential buildings with a dedicated return line. The pumps are compatible with all types of water heater tanks, tankless systems, solar and heat pumps regardless of whether the system has mixing or tampering valves installed.

The hydraulic performance of COMFORT makes them an easy choice for small and middle-size private homes. The pump parts exposed to contact with water are made of brass, stainless steel, and composite materials to prevent corrosion which is crucial for hot-water recirculation. The design of the impeller allows COMFORT to be used with water of any hardness. The built-in dry-running protection prevents pump failure if the system runs out of water.

Thanks to a modern permanent magnet motor, COMFORT runs silently and consumes no more than 7 Watts. The COMFORT range offers variants with smart control modes that optimize operating periods to reduce system heat loss.

Depending on the region, the pumps are available with the local type of power supply plug as well as variants with supplied or built-in isolating or check valves.

Scan below QR code to access Grundfos Ecademy and learn more about COMFORT.



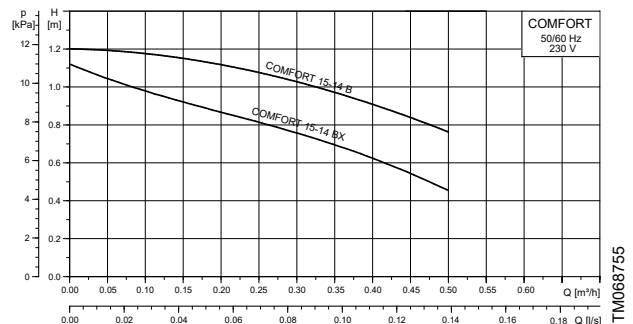
TM087391

### Related information

*International, DACH, GB, CN, 1×230V, 50/60 Hz*  
*COMFORT, North America, 1×115-230V, 60 Hz*

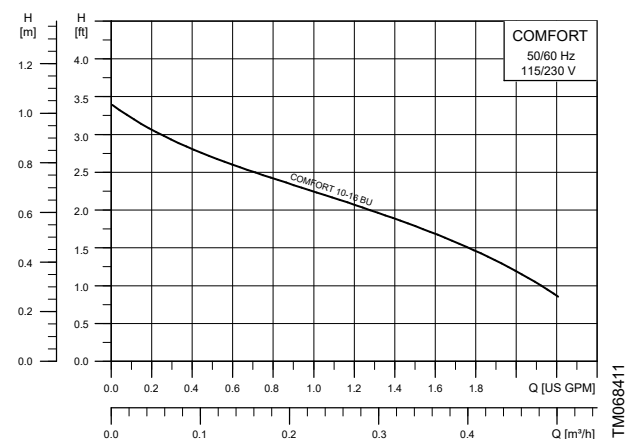
## Performance range

### International product range



COMFORT performance range

### North American product range



COMFORT NA performance range

## Features

- QH performance designed for single- and multi-family homes, depending on the required duty point to accommodate for heat loss in specific pipe layout.
- Low power consumption and silent operation.
- Complies with pipe manufacturers' flow velocity limits, including DN 15, DN 20 PEX, copper, and others.
- Drinking-water approved, ensured by the brass pump housing, stainless-steel rotor and composite impeller.
- Designed to make cleaning limescale and foreign deposits easy by removing the pump head, enabling the product to meet the unlimited water hardness requirement.
- Dry-running protection to prevent failure if the system runs out of water.
- Multiple installation positions, even with the pump head pointing downwards.
- A pump head designed to fit all brass pump housings of the same design from different brands (such as WILO, VORTEX, LOWARA, and DAB). The design enables easy installation and removes the need to replace the pump housing and drain the system.
- Easy electrical installation provided by a pre-assembled power plug, 1.5 m cable or detachable COMFORT plug, and a double insulation protection, eliminating the need for a ground wire.
- Insulating shell for reduced heat loss.
- Isolating and non-return valves included in BX variants, reducing installation cost.
- An optional venting flange, providing a simple solution to vent or drain the system without permanently installing an additional venting valve.
- Optional fittings for pipe connections in different sizes and types are available.
- Optional isolating and non-return valves are available.

## Applications

COMFORT provides instant hot water at fixtures by using the return line (5) to the hot-water supply line (6) for circulation of hot water to fixtures and back to the water heater, avoiding heat loss due to heat dissipation.

In a system without hot-water recirculation, the standing hot water eventually loses heat and must be drained before fresh hot water reaches the tap.

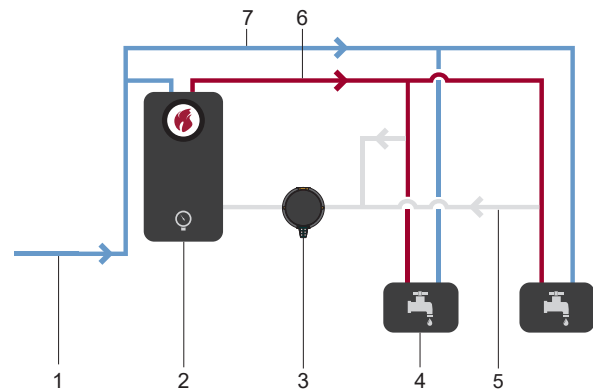
The circulation of water in the hot-water recirculation system is enabled by the special pump (3) which is commonly installed in the return line. The pump parts, which are exposed to water, must be made of corrosion-resistant materials since tap water is a constant source of dissolved oxygen and salts.

The benefits of hot-water recirculation are instant hot water on demand, reduced waste of water, sanitation of the hot-water supply system, and compliance with local building standards and regulations.

COMFORT circulator pumps are suitable for the following:

- single-loop systems
- branched systems (balancing valves are recommended)
- open-vented systems
- pressurised closed systems with or without mixing (tempering, anti-scalding) valves
- all types of tank water heaters.

Application with tankless water heaters is limited due to a higher pressure loss and minimum start flow rate requirement. For this type of application, special attention is required during design calculations.



TM087265

Pos.	Description
1	Water supply
2	Water heater
3	COMFORT pump
4	Fixture
5	Dedicated return line
6	Hot-water supply
7	Cold-water supply

## 2. Product numbers

### International, DACH, GB, CN, 1×230V, 50/60 Hz

Sales region	Pump type	Product number	Port-to-port length	Connection	Supplied with		
					Plug with cable	COMFORT plug	Isolating valve Non-return valve
International	COMFORT 15-14 B	97916771	80 mm	Rp 1/2"	•		
	COMFORT 15-14 B T	93093854			•		
	COMFORT 15-14 B TDT	93093537			•		
	COMFORT 15-14 B TA	97916757			•		
	COMFORT 15-14 BX	97916772	140 mm	G 1"	•		•
	COMFORT 15-14 BX T	93094846			•		•
	COMFORT 15-14 BX TDT	93093665			•		•
	COMFORT 15-14 BX TA	97916749			•		•
	COMFORT 15-14 M	93095662			•		
Germany Austria Switzerland (DACH)	COMFORT 15-14 B DACH	97989265	80 mm	Rp 1/2"	•		
	COMFORT 15-14 B T DACH	93094997			•		
	COMFORT 15-14 B TU DACH	93093850			•		
	COMFORT 15-14 B TA DACH	99302331			•		
	COMFORT 15-14 BX DACH	97989266	140 mm	G 1"	•		•
	COMFORT 15-14 BX T DACH	93095533			•		•
	COMFORT 15-14 BX TU DACH	93094391			•		•
	COMFORT 15-14 BX TA DACH	99302332			•		•
COMFORT 15-14 M DACH	99327264	•					
Great Britain (GB)	COMFORT 15-14 B GB	99164484	80 mm	Rp 1/2"		•	
	COMFORT 15-14 B T GB	93095535				•	
	COMFORT 15-14 B TDT GB	93093802				•	
	COMFORT 15-14 B TA GB	99164487				•	
	COMFORT 15-14 BX GB	99164486	140 mm	G 1"		•	•
	COMFORT 15-14 BX T GB	93095538				•	•
	COMFORT 15-14 BX TDT GB	93094694				•	•
	COMFORT 15-14 BX TA GB	99164488				•	•
China (CN)	COMFORT 15-14 B CN	98485504	80 mm	Rp 1/2"	•		
	COMFORT 15-14 B T CN	93095635			•		
	COMFORT 15-14 B TDT CN	93094769			•		
	COMFORT 15-14 B TA CN	98485557			•		

### COMFORT, North America, 1×115-230V, 60 Hz

Sales region	Pump type	Product number	Port-to-port length [inch]	Connection	Supplied with	
					Line cord	Isolating valve Non-return valve
North America <sup>1)</sup>	COMFORT 10-16 T BU/LC	92957794	4 1/3"	1 1/4" NPSM	•	•
	COMFORT 10-16 TDT BU/LC	93094713			•	•
	COMFORT 10-16 TA BU/LC	98420224			•	•

<sup>1)</sup> Lead-free pump housing

## Type key

### International product range

Example: COMFORT 15-14 BX TDT GB

Code	Explanation	Designation
COMFORT 15-14		Pump type
B	Brass pump housing	
M	Motor (pump head only)	Options
X	Isolating and non-return valves, G 1"	
[ ]	Continuous operation 24/7	
T	Temperature control	
DT	Timer	Control modes
U	Timer (DACH only)	
A	AUTOADAPT	
[ ]	International	
GB	Great Britain	Sales region
DACH	Germany, Austria, Switzerland	
CN	China	

### North American product range

Example: COMFORT 10-16 TA BU/LC

Code	Explanation	Designation
COMFORT 10-16		Pump type
T	Temperature control	
DT	Timer	Control modes
A	AUTOADAPT	
B	EcoBrass pump housing	
U	Isolating and non-return valves, 1 1/4 " NPSM	Options
LC	Line cord	

### 3. Control modes

The control modes for COMFORT pumps reduce heat loss of the hot-water recirculation system by optimising operating time.

By selecting the correct control mode, substantial savings on heat energy consumption for hot-water recirculation can be achieved.

See below table for the available control modes applicable for each COMFORT variant.

Control mode	COMFORT	COMFORT T	COMFORT TDT (TU)	COMFORT TA
Continuous operation 24/7	•			•
Temperature control		•	• <sup>2)</sup>	
Timer			• <sup>2)</sup>	
Temperature+ control				•
AUTOADAPT				•

<sup>2)</sup> Timer and temperature control can be enabled simultaneously for COMFORT TDT (TU).

Scan below QR code to access Grundfos Academy and learn more about COMFORT control modes.



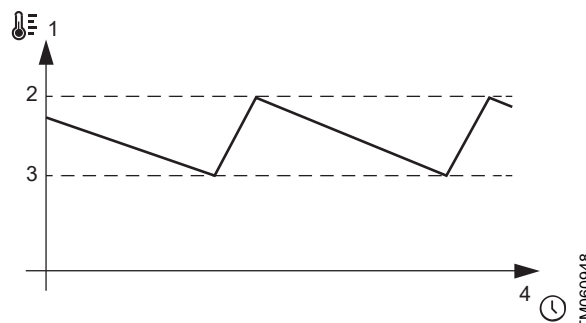
TM087859

#### Continuous operation 24/7

The pump operates continuously while connected to the power supply. This control mode is recommended when the hot-water recirculation system is required to run uninterrupted or in cases when the pump is connected to an external control unit.

#### Temperature control

The temperature control mode that automatically activates the pump when the internal temperature sensor detects that the water temperature drops below a certain level. The control mode automatically adjusts the on/off temperature based on the maximum temperature measured in the system. The maximum temperature of the system is measured every 12 hours for 15 minutes, enabling dynamic adjustment of the on/off temperature.



Pos.	Description
1	Water temperature
2	Pump stop
3	Pump start
4	Time

#### Temperature+ control

This control mode is only available for COMFORT TA variants. The principle of temperature+ control is identical to the temperature control mode with the following added features:

- The pump utilises both internal and external temperature sensors. The external sensor ensures hot temperature in the supply pipe.
- The maximum temperature of the system is measured constantly, allowing dynamic adjustment of the on/off temperatures.
- Vacation mode for enhanced energy efficiency: If water has not been tapped for 24 hours, the pump automatically switches to vacation mode and is turned off until the pump registers water being tapped 2 times within 80 minutes. To ensure the system is sanitised, the pump flushes the system every 8 hours for 15 min.

The COMFORT TA pump must be installed in the return line, and the external temperature sensor must be mounted on the supply line.

## Timer

COMFORT TDT variants feature an integrated timer that allows you to manually customise the operating time of the pump. It eliminates unnecessary heat loss in the system by restricting the operation of hot-water recirculation when no water consumption is expected.

The setting of the timer is done conveniently via the display of the pump in increments of 30 minutes.

In case of power failure, the time pauses with no power reserve. However, the selected operating times and actual time are retained. When power is restored, the pump resumes its last set operating state. If the power outage exceeds 15 minutes, the actual time may need to be reset.



Scan below QR code to access Grundfos Ecademy and learn more about how to set the timer for COMFORT TDT.



TM1087858

## AUTOADAPT

With the AUTOADAPT control mode, the pump learns hot-water usage patterns throughout the day and ensures hot water is immediately available only when needed. This makes AUTOADAPT the most energy efficient control mode in the COMFORT range.



### Algorithm

The pump logs hot-water tapping events via the external and internal temperature sensors to establish its operating schedule. It detects these events through a rise in supply line temperature using the external temperature sensor installed on the supply line. Temperature increases due to COMFORT operation do not register in the data log.

Once the pump is connected to a power supply and the AUTOADAPT control mode has been selected, the pump begins the process of forming the operating schedule, which can take up to two weeks. During this period, the pump operates in the temperature+ control mode to ensure energy savings and hot water on demand until the operating schedule has been formed.

When the operating schedule has been formed, the pump predicts when hot water is required and begins operating in advance. This ensures hot water is instantly available. To provide additional savings, the pump runs in the temperature+ control mode during operation. When the pump stops according to schedule, the AUTOADAPT LED icon flashes continuously.

The algorithm differentiates spontaneous water usage and the actual consumption behavior to find the perfect balance between energy savings and providing hot water instantly during unexpected demand. This enables the pump to differentiate between workdays, weekends, and periods of prolonged inactivity, such as vacations. The pump constantly monitors hot-water tapping events and adjusts the operating schedule dynamically according to usage patterns.



### Vacation mode

After 24 hours of detecting no hot water usage, the pump automatically enters vacation mode and resumes operation when demand for hot water arises. Once the pump detects 2 tapping events within 80 minutes, the pump resumes normal operation.

### Flushing and disinfection

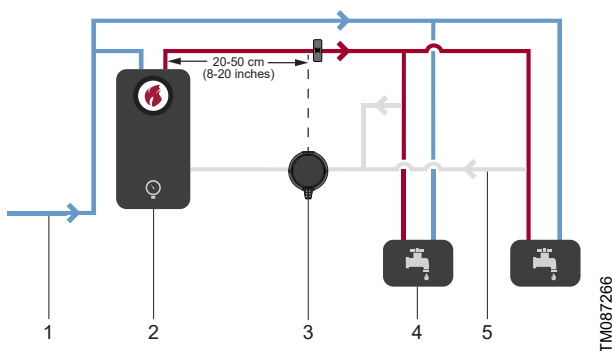
If the pump is inactive for 8 hours, it turns on and runs a 15-minute disinfection cycle to flush the recirculation loop as a preventative measure against bacteria growth.

In case of prolonged inactivity, the pump runs the disinfection cycle once a week. If, at another time of the week, a higher temperature is measured, the disinfection run shifts to this time.

### Installation requirement for external sensor

The external sensor comes pre-wired with the pump. The sensor must be mounted on the supply pipe in the range between 20-50 cm (8-20 inches) from the water heater.

The length of the wire is 2.5 m (8 ft).



Hot-water recirculation with COMFORT TA

Pos.	Description
1	Water supply
2	Water heater
3	COMFORT pump
4	Fixture
5	Dedicated return line

### Warning LED

The warning icon is constantly on if the external temperature sensor is defective. The pump resumes operation in temperature control mode.

## 4. Construction

Grundfos COMFORT circulator pumps are available in various pump housing versions and lengths incorporating isolating and non-return valves or prepared for subsequent fitting of such valves.

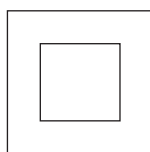
The motor can be separated from the pump housing, enabling easy maintenance and replacement.

The rotor bearing is self-adjusting and lubricated by the pumped liquid.

The pumps have the following characteristics:

- Parts in contact with the pumped liquid are hermetically separated from the stator by a stainless-steel spherical separator.
- The bearing has no play, and as it has only a single bearing point, it generates very low friction, resulting in reduced power input and noise.

### Electrical insulation



TM065197

*Protection Class II symbol*

All Grundfos COMFORT models are electrically double insulated (Protection Class II). This makes the protective earth connector obsolete.

### Motor

The motor is a single-phase, 12-pole, permanent-magnet motor in conformity with the EMC directive.

The permanent-magnet motor has no rotating bearing shaft. A green indicator light on the motor is on when the motor is running.

The pump motor is impedance-protected and short-circuit-proof. No additional motor protection is required.

The terminal box is easily accessible and has functional cable connecting terminals. The cable entry is tight and incorporates cable relief.

Enclosure class: IP44

Insulation class: F.

### Voltages

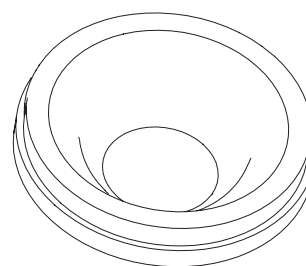
- Europe: 1 × 230 V, 50/60 Hz
- UK: 1 × 230 V, 50/60 Hz
- China: 1 × 230 V, 50/60 Hz
- USA: 1 × 115/230 V, 50/60 Hz.

### Stator

The stator generates a magnetic field acting directly on the magnetic rotor. As a result, the rotor is caused to rotate. The axial components of the magnetic field act as an attractive force on the rotor, thus stabilising it in its longitudinal axis.

### Spherical separator

The stainless-steel spherical separator hermetically seals the water-conducting part of the pump from the electrically active part of the motor without any additional seal.

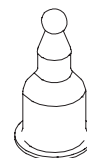


TM065201

*Spherical separator*

### Bearing pin and bearing ball

The stainless-steel bearing pin is homogeneously welded by laser beam to the spherical separator and the bearing ball.

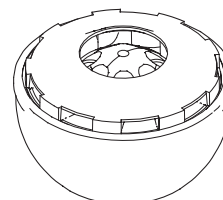


TM065202

*Bearing pin*

### Rotor

The rotor is gimbal-mounted on the bearing ball with its own step bearing.

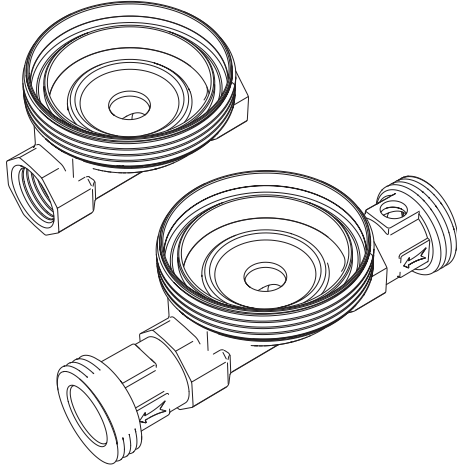


TM065203

*Rotor*

## Pump housing

The pump housing is designed in such a way that a high hydraulic efficiency is achieved when the energy produced by the impeller is converted into pressure. The pump housing thread enables connection to standard pipe dimensions.



TM068283

*Pump housing with and without valves*

## Isolating valve and non-return valve

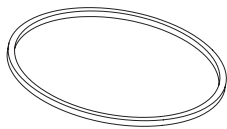
The COMFORT pump types BX (Europe) and BU (USA) have an isolating valve and a non-return valve.

The isolating valve ensures that maintenance can be carried out while the inlet side is isolated.

The non-return valve isolates the outlet side during maintenance.

## Seal ring

The COMFORT pump has just one seal ring between the spherical motor and the pump housing. The seal ring material is resistant to hydrolysis and ageing, thus lasting the entire pump life.

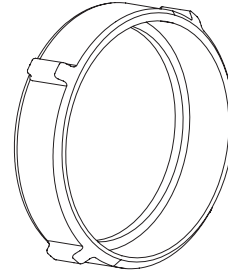


TM065206

*Seal ring*

## Union nut

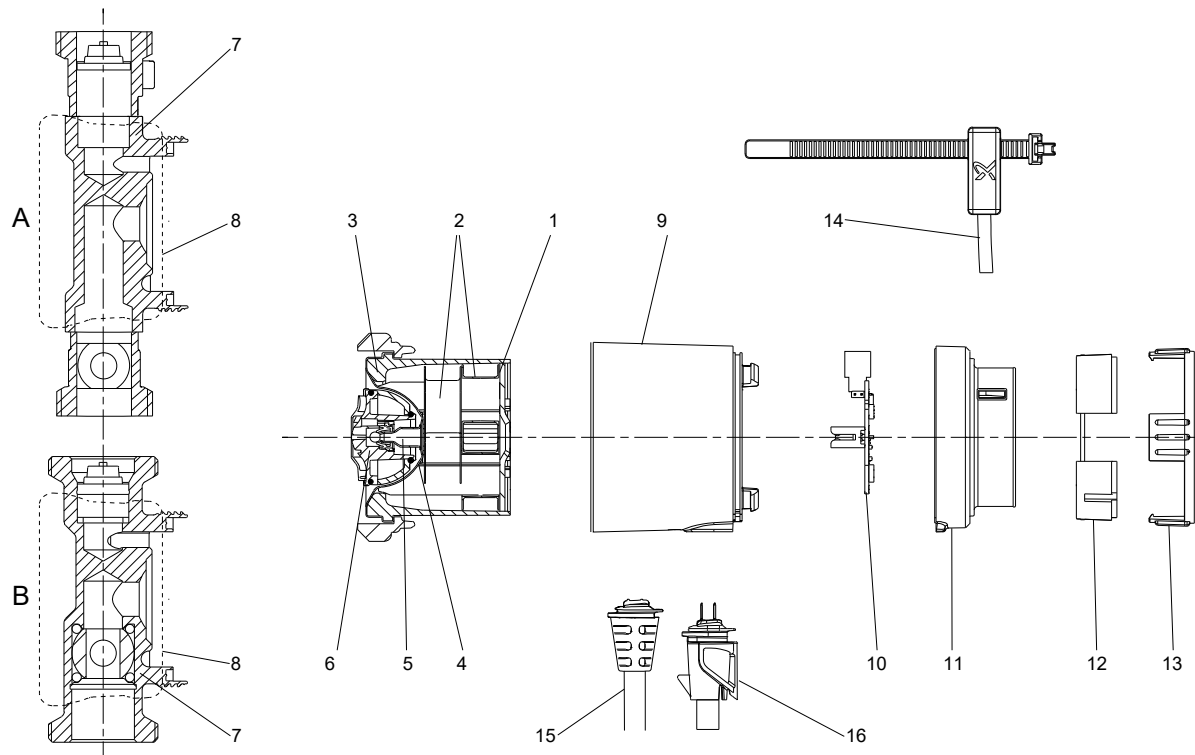
The union nut ensures that motor and pump housing are tightly connected. Thanks to the thread type, the seal ring is pressed evenly over the entire seal face.



*Union nut*

TM065207

## Sectional drawing



TM087270

Sectional drawing of COMFORT

## Material specification

Pos.	Component	Material
1	Stator lamination	Steel
2	Stator windings	Copper wire and enamel
3	Stator housing	Aluminium/P66
4	Spherical separator	Stainless steel
5	Bearing pin	Stainless steel/tungsten carbide
6	Hemispherical rotor and the impeller	Stainless steel, EPDM, PPO, PFTE, graphite
7	Pump housing A: International B: North America	Brass (CW617N) Brass (ECOBASS, CuZn <sub>21</sub> Si <sub>3</sub> P)
8	Insulation shells	EPP 55
9	Motor cover, motor and temperature sensor	Motor cover: PPO
10	PC board with diode	FR 4
11	Terminal box cover	PC/AB
12	Cable ring 1 (TA variants only)	PC/ABS
13	Cable ring 2 (TA variants only)	PC/ABS
14	External temperature sensor (TA variants only)	
15	Preassembled cable with local plug • International: Type C • DACH: Type C • CN: Type A • NA: NEMA 1-15P	
16	COMFORT plug (GB variants only)	PA66

## 5. Operating conditions

### Technical data

Supply voltage	International: 1 × 230 V, 50/60 Hz North America: 1 × 115/230 V, 50/60 Hz
Power consumption	5-7 W
Motor protection	The pump requires no external motor protection.
Insulation class	F
Appliance class	Double insulated
Overvoltage category	II
Enclosure class	International: IP44 North America: Type 2
Ambient temperature <sup>3)</sup>	0-40 °C (32-104 °F)
Max. liquid temperature	International: 95 °C (TF 95) North America: 180 °F (82 °C)
Max. outlet pressure	PN 10 (10 bar [145 psi])
Min. inlet pressure <sup>4)</sup>	0.05 bar (0.75 psi)
Pump housing	International: Brass North America: EcoBrass <sup>5)</sup>
Pollution degree	2

<sup>3)</sup> The ambient temperature must always be lower than the liquid temperature to minimize condensation in the stator housing.

<sup>4)</sup> A minimal inlet pressure is required at the pump inlet port to prevent cavitation noise and damage to the pump bearing.

<sup>5)</sup> The lead content of the pump housing is < 0.2 %.

### Installation requirement

Indoors, in a non-aggressive and non-explosive atmosphere.

Relative humidity: Maximum 95 %.

Maximum installation altitude: 2000 m (6500 ft).

## 6. Performance curves

### Curve conditions

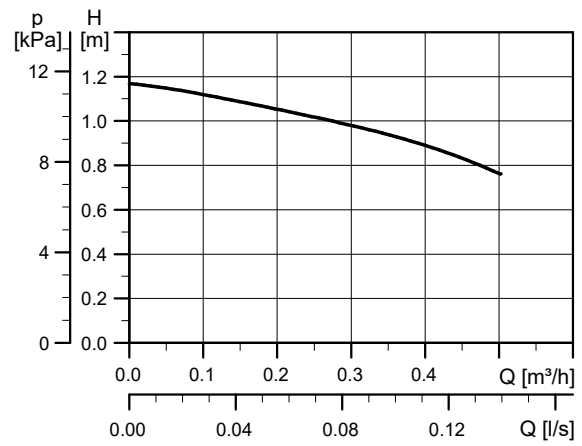
The guidelines below apply to the performance curves on the following pages:

- Test liquid: airless water.
- The measurements for COMFORT have been made at a water temperature of 20 °C (68 °F).
- All curves show average values and must not be used as guarantee curves. If a specific minimum performance is required, individual measurements must be made.
- The COMFORT curves apply to a kinematic viscosity of  $\nu = 1 \text{ mm}^2/\text{s}$  (1 cSt).

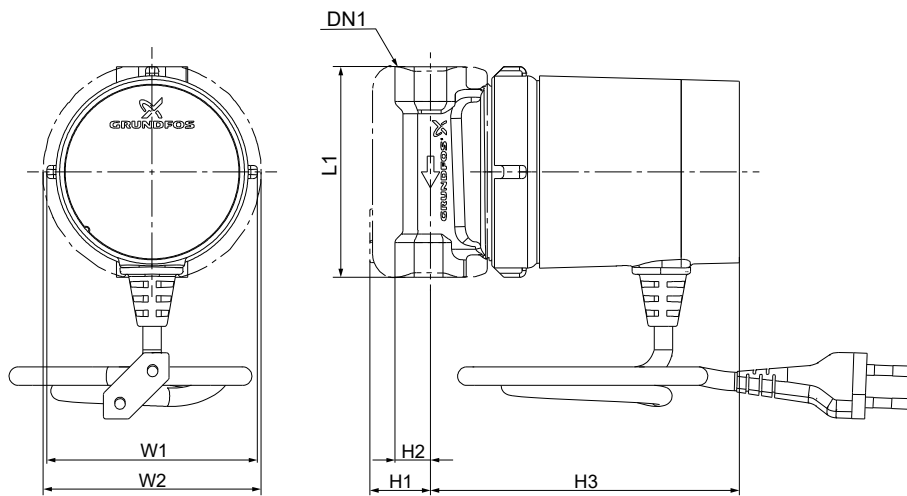
The conversion between head  $H$  [m] and pressure  $p$  [kPa] was made for water with a density of  $\rho = 1000 \text{ kg/m}^3$ . For liquids with other densities, for example hot water, the outlet pressure is proportional to the density.

## Data sheets

## COMFORT 15-14 B (international, DACH, CN)



TM063622



TM087153

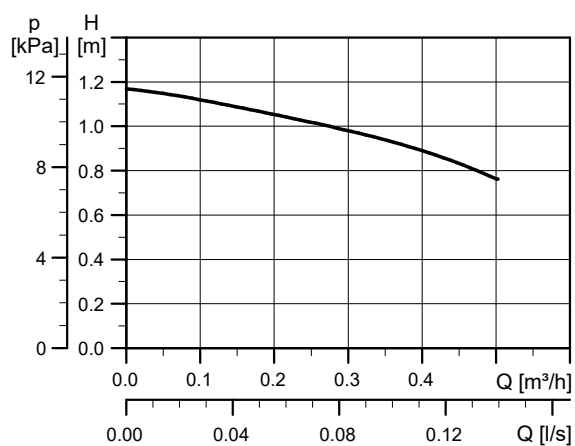
Pump type	Dimensions [mm]						Weights [kg]		Shipping volume [m³]	
	L1	H1	H2	H3	W1	W2	DN1	Net		Gross
COMFORT 15-14 B										
COMFORT 15-14 B DACH	80	25	13.5	119	79.5	84	Rp 1/2"	0.94	1.04	0.0026
COMFORT 15-14 B CN										

## Related information

[Technical data](#)

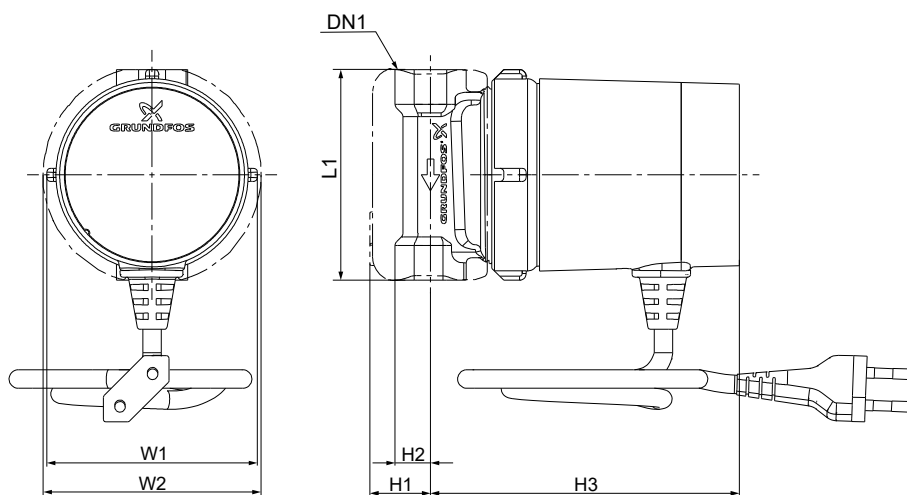
[Union sets and valves for North American COMFORT variants](#)

## COMFORT B T 15-14 (international, DACH, CN)



TM063622

## Dimensions



TM087153

Pump type	Dimensions [mm]							Weights [kg]		Shipping volume [m³]
	L1	H1	H2	H3	W1	W2	DN1	Net	Gross	
COMFORT 15-14 B T										
COMFORT 15-14 B T DACH	80	25	13.5	119	79.5	84	Rp 1/2"	0.98	1.08	0.0026
COMFORT 15-14 B T CN										

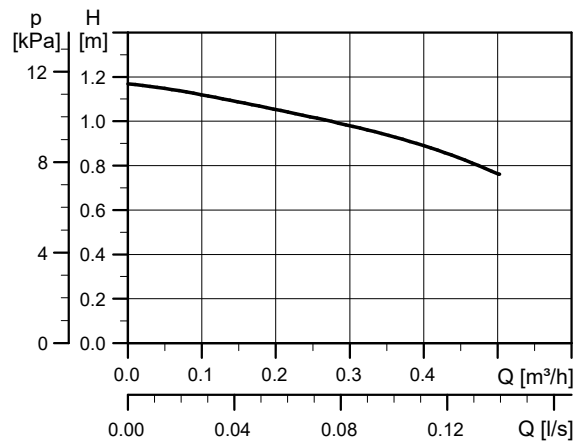
## Related information

[Technical data](#)

[Union sets and valves for North American COMFORT variants](#)

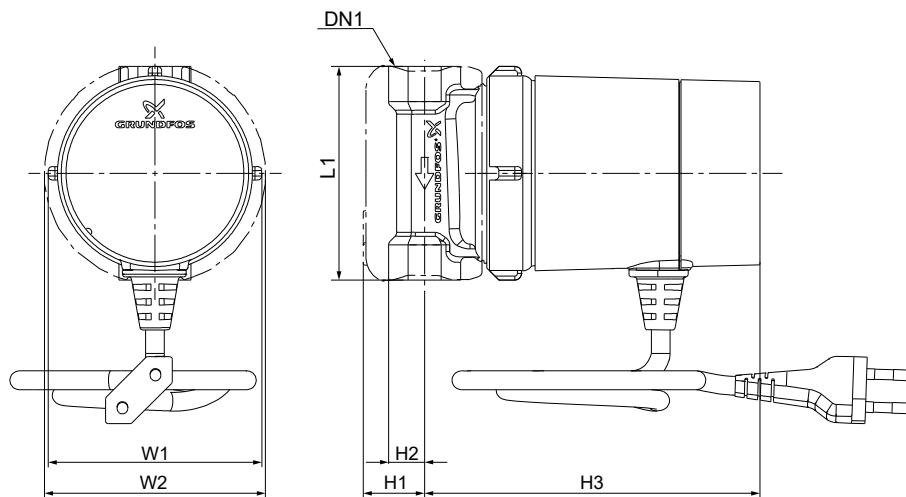


## COMFORT 15-14 B TDT (international, CN), 15-14 B TU (DACH)



TM063622

## Dimensions



TM087154

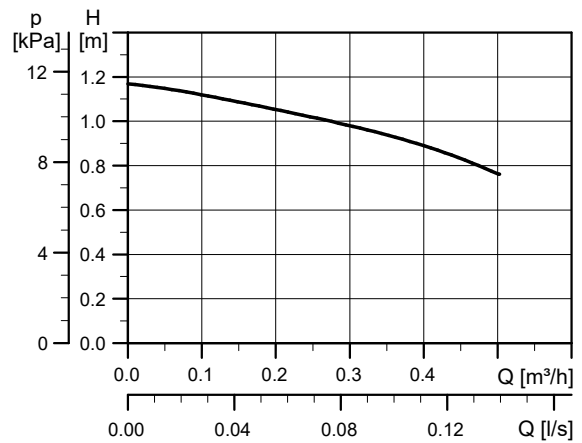
Pump type	Dimensions [mm]						Weights [kg]		Shipping volume [m³]	
	L1	H1	H2	H3	W1	W2	DN1	Net		Gross
COMFORT 15-14 B TDT										
COMFORT 15-14 BU TDT DACH	80	25	13.5	124	79.5	84	Rp 1/2"	0.94	1.04	0.0026
COMFORT 15-14 B TDT CN										

## Related information

[Technical data](#)

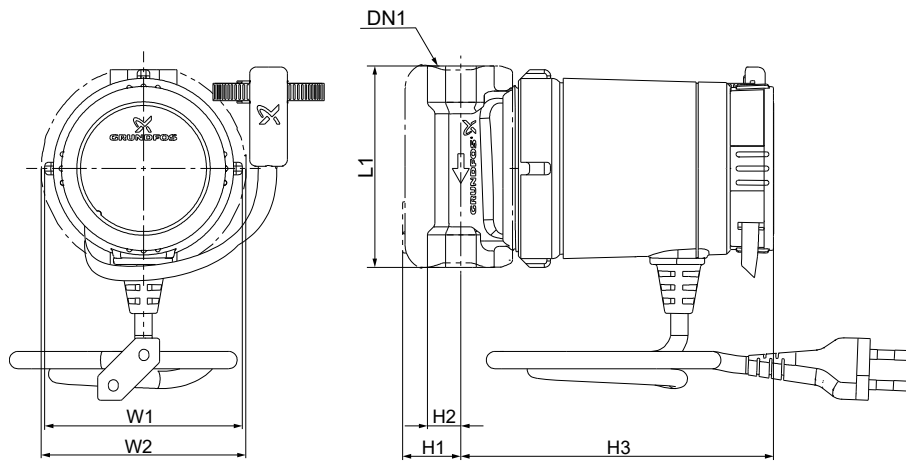
[Union sets and valves for North American COMFORT variants](#)

## COMFORT 15-14 B TA (international, DACH, CN)



TM063622

## Dimensions



TM087152

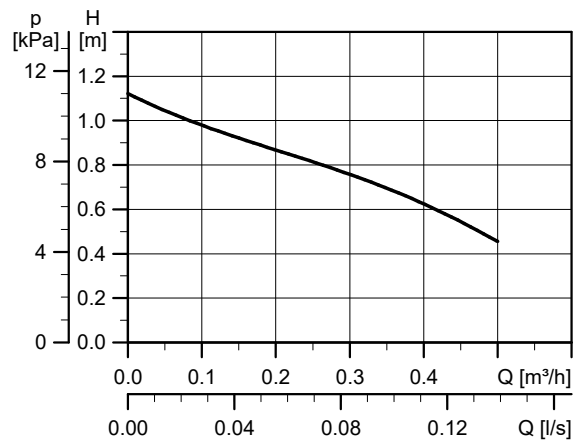
Pump type	Dimensions [mm]						Weights [kg]		Shipping volume [m³]	
	L1	H1	H2	H3	W1	W2	DN1	Net		Gross
COMFORT 15-14 B TA										
COMFORT 15-14 B TA DACH	80	25	13.5	124	79.5	84	Rp 1/2"	0.98	1.08	0.0026
COMFORT 15-14 B TA CN										

## Related information

[Technical data](#)

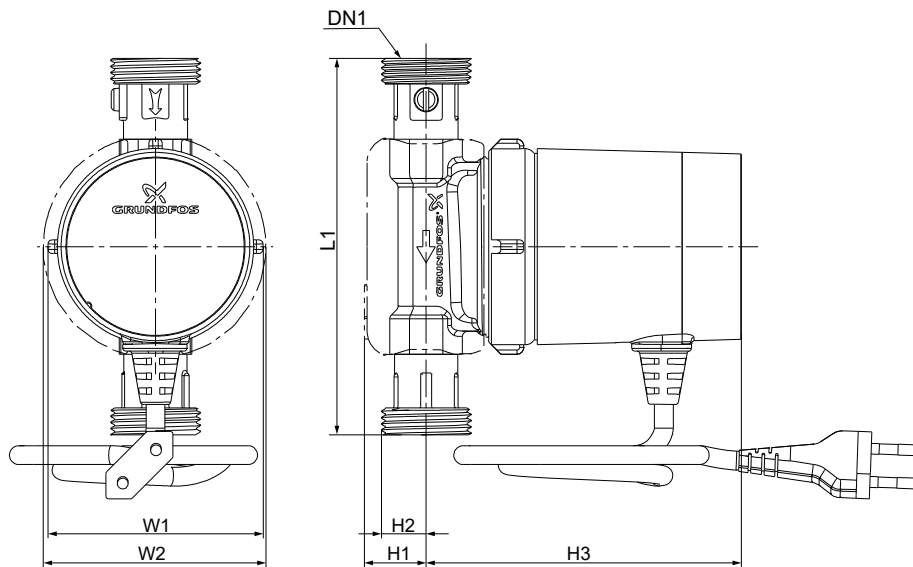
[Union sets and valves for North American COMFORT variants](#)

COMFORT 15-14 BX (international, DACH)



TM068415

Dimensions



TM087167

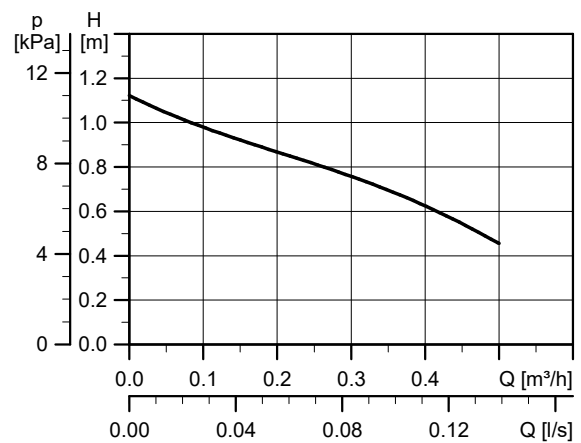
Pump type	Dimensions [mm]							Weights [kg]		Shipping volume [m³]
	L1	H1	H2	H3	W1	W2	DN1	Net	Gross	
COMFORT 15-14 BX	140	25	21	119	79.5	84	G 1"	1.14	1.24	0.026
COMFORT 15-14 BX DACH										

Related information

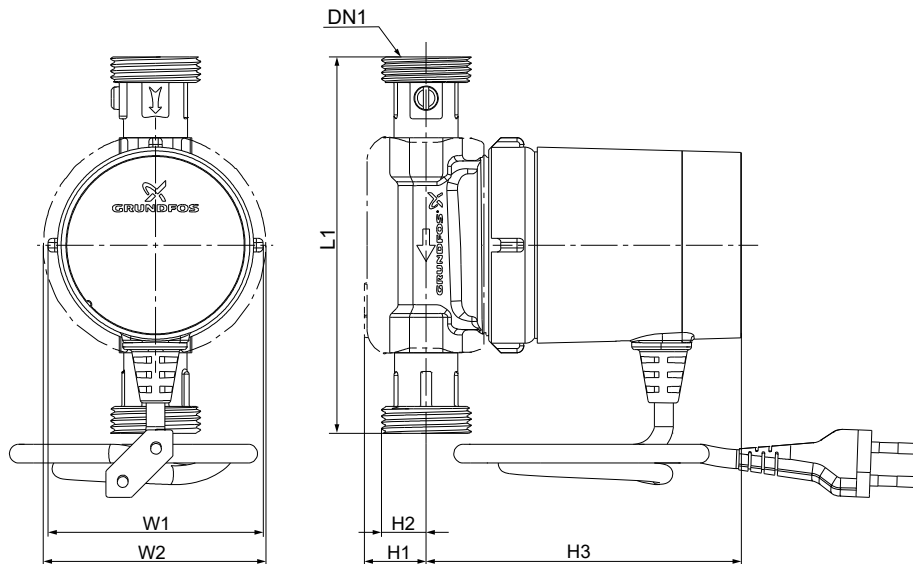
[Technical data](#)

[Union sets and valves for North American COMFORT variants](#)

## COMFORT 15-14 BX T (international, DACH)



TM068415



TM087167

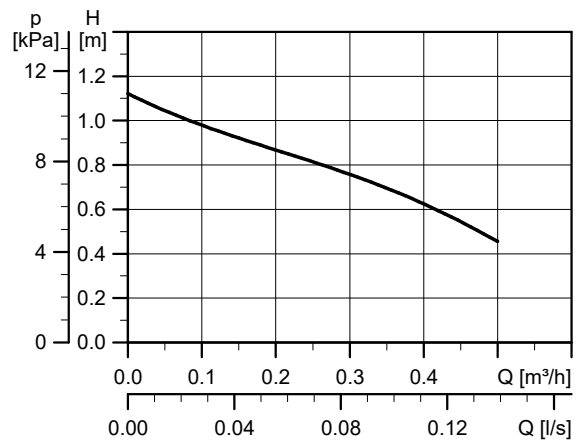
Pump type	Dimensions [mm]							Weights [kg]		Shipping volume [m³]
	L1	H1	H2	H3	W1	W2	DN1	Net	Gross	
COMFORT 15-14 BX T	140	25	21	119	79.5	84	G 1"	1.14	1.24	0.0026
COMFORT 15-14 BX T DACH										

## Related information

[Technical data](#)

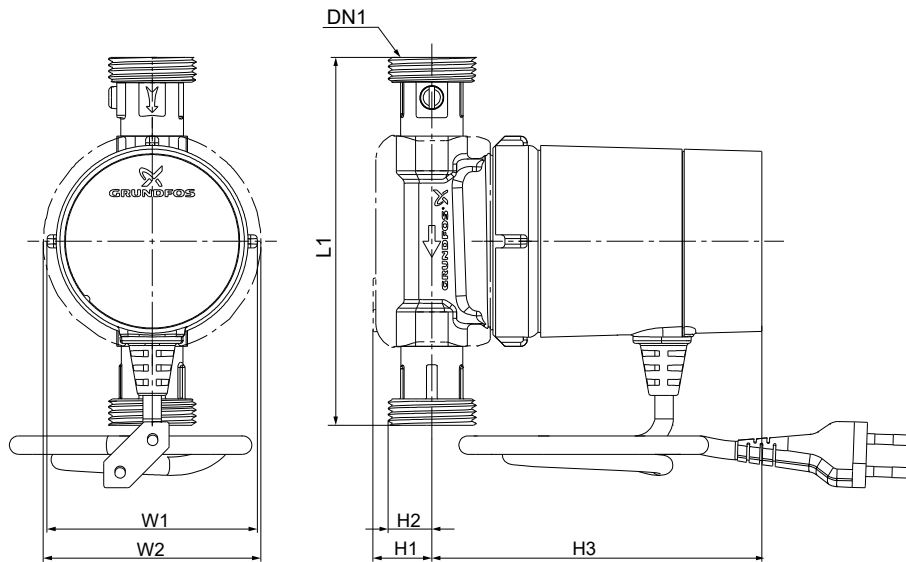
[Union sets and valves for North American COMFORT variants](#)

## COMFORT 15-14 BX TDT (international), 15-14 BX TU (DACH)



TM068415

## Dimensions



TM087166

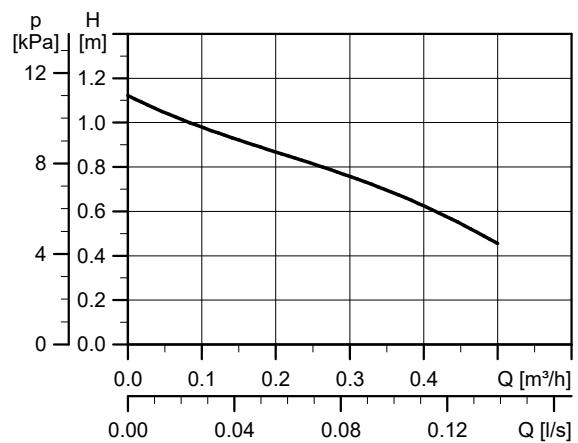
Pump type	Dimensions [mm]							Weights [kg]		Shipping volume [m³]
	L1	H1	H2	H3	W1	W2	DN1	Net	Gross	
COMFORT 15-14 BX TDT	140	25	21	124	79.5	84	G 1"	1.14	1.24	0.0026
COMFORT 15-14 BX TU DACH										

## Related information

[Technical data](#)

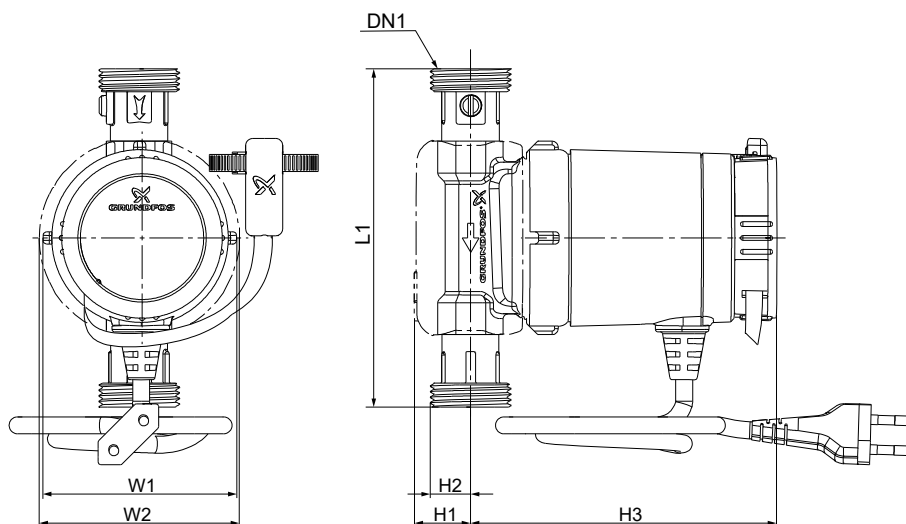
[Union sets and valves for North American COMFORT variants](#)

## COMFORT 15-14 BX TA (international, DACH)



TM068415

## Dimensions



TM087165

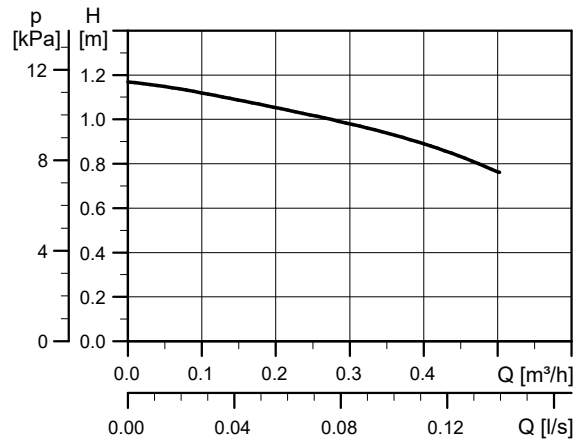
Pump type	Dimensions [mm]						Weights [kg]		Shipping volume [m³]	
	L1	H1	H2	H3	W1	W2	DN1	Net		Gross
COMFORT 15-14 B TA	140	25	21	124	79.5	84	G 1"	1.18	1.28	0.0026
COMFORT 15-14 B TA DACH										

## Related information

[Technical data](#)

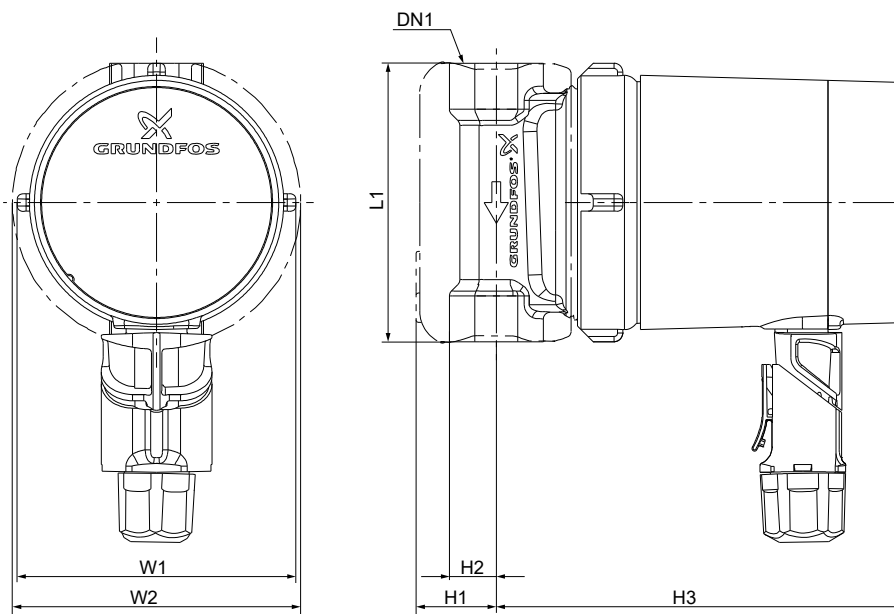
[Union sets and valves for North American COMFORT variants](#)

COMFORT 15-14 B (GB)



TM063622

Dimensions



TM087259

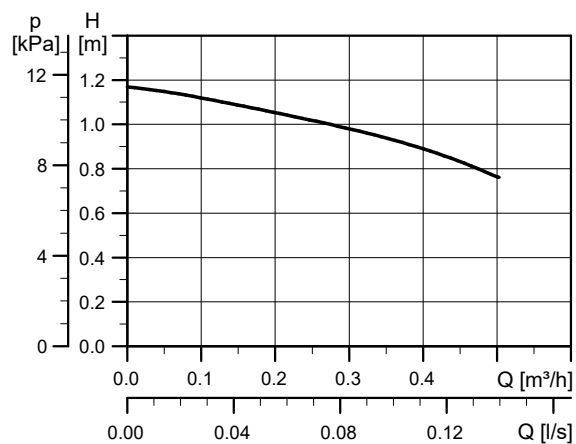
Pump type	Dimensions [mm]						DN1	Weights [kg]		Shipping volume [m³]
	L1	H1	H2	H3	W1	W2		Net	Gross	
COMFORT 15-14 B GB	80	25	13.5	119	79.5	84	Rp 1/2"	0.86	0.96	0.0026

Related information

[Technical data](#)

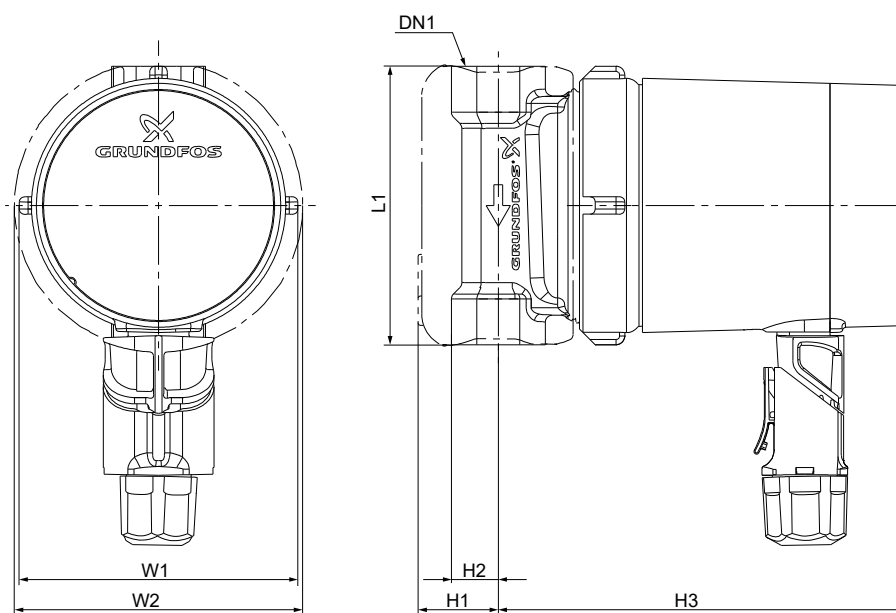
[Union sets and valves for North American COMFORT variants](#)

## COMFORT 15-14 B T (GB)



TM063622

## Dimensions



TM087259

Pump type	Dimensions [mm]							Weights [kg]		Shipping volume [m³]
	L1	H1	H2	H3	W1	W2	DN1	Net	Gross	
COMFORT 15-14 B T GB	80	25	13.5	119	79.5	84	Rp 1/2"	0.98	1.08	0.0026

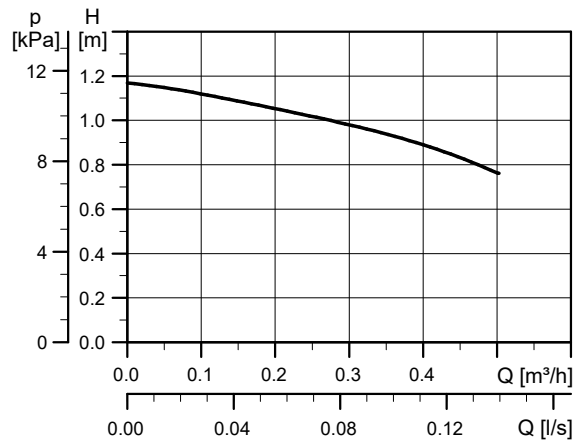
## Related information

[Technical data](#)

[Union sets and valves for North American COMFORT variants](#)

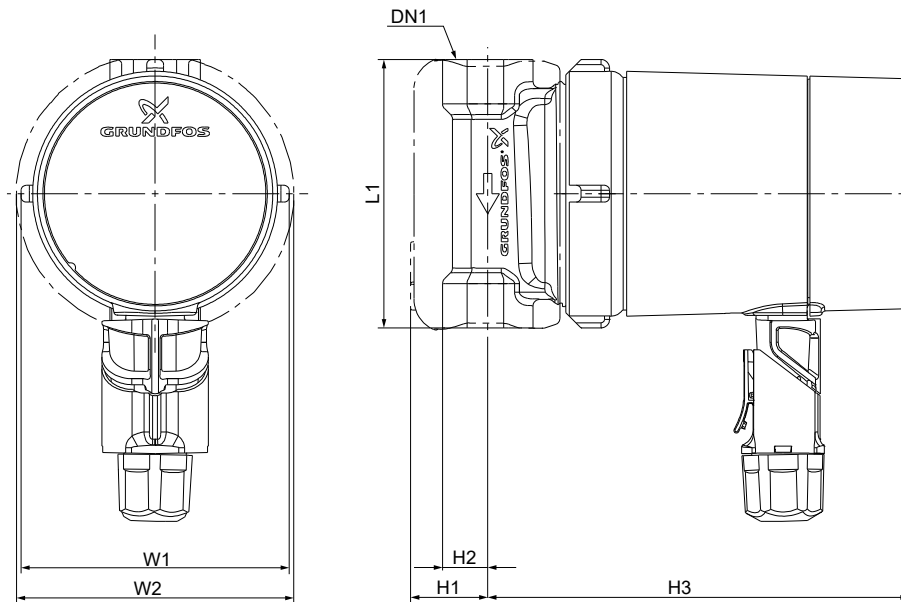


COMFORT 15-14 B TDT (GB)



TM063622

Dimensions



TM087258

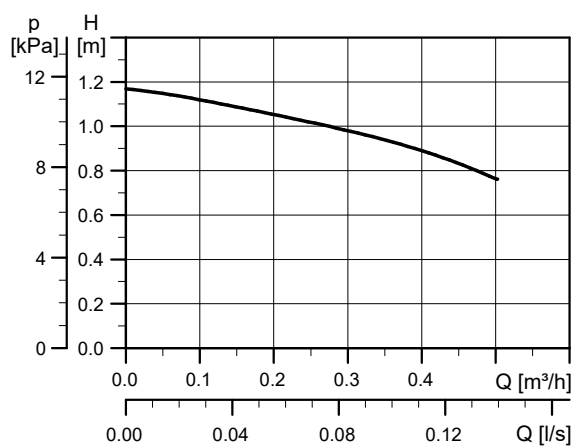
Pump type	Dimensions [mm]							Weights [kg]		Shipping volume [m³]
	L1	H1	H2	H3	W1	W2	DN1	Net	Gross	
COMFORT 15-14 B TDT GB	80	25	13.5	124	79.5	84	Rp 1/2"	0.94	1.04	0.0026

Related information

[Technical data](#)

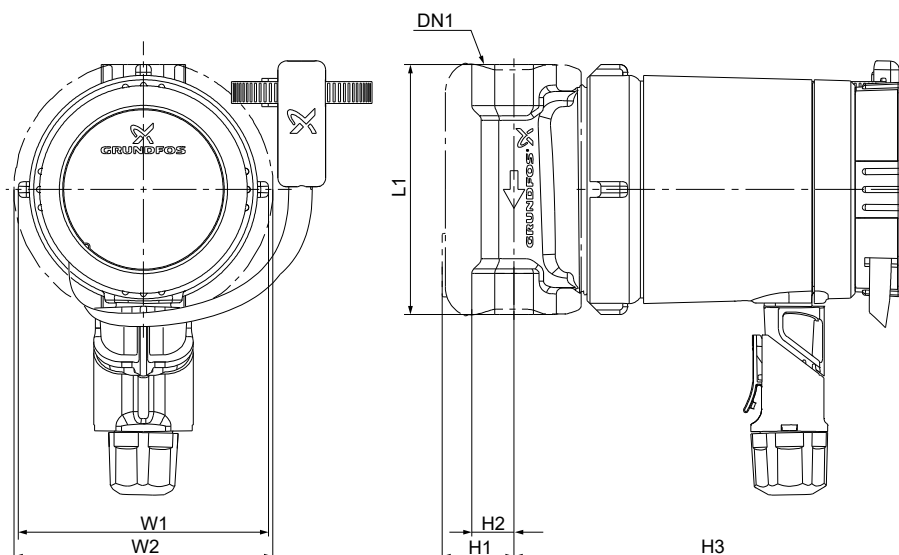
[Union sets and valves for North American COMFORT variants](#)

## COMFORT 15-14 B TA (GB)



TM063622

## Dimensions



TM087257

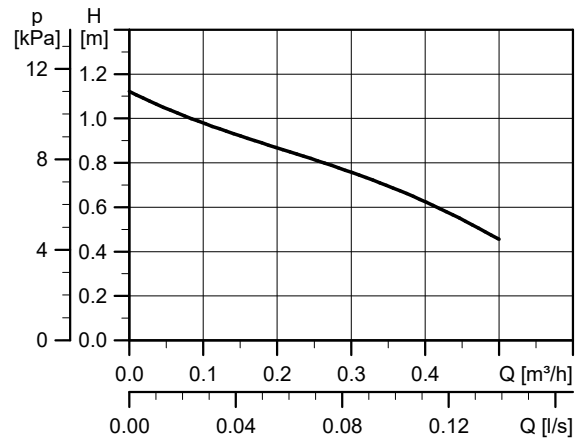
Pump type	Dimensions [mm]							Weights [kg]		Shipping volume [m³]
	L1	H1	H2	H3	W1	W2	DN1	Net	Gross	
COMFORT 15-14 B TA GB	80	25	13.5	124	79.5	84	Rp 1/2"	0.98	1.08	0.0026

## Related information

[Technical data](#)

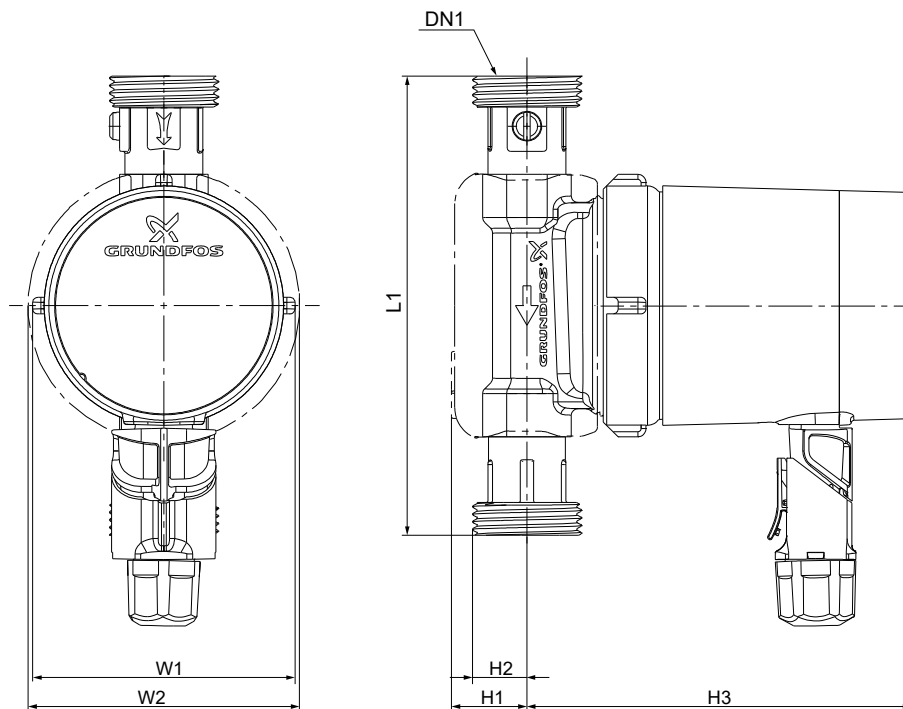
[Union sets and valves for North American COMFORT variants](#)

## COMFORT 15-14 BX (GB)



TM068415

## Dimensions



TM087264

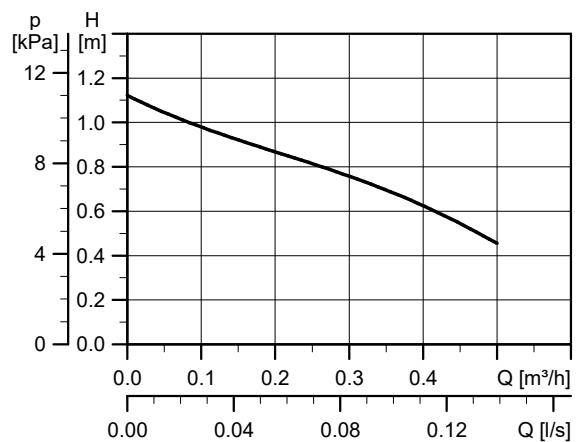
Pump type	Dimensions [mm]							Weights [kg]		Shipping volume [m³]
	L1	H1	H2	H3	W1	W2	DN1	Net	Gross	
COMFORT 15-14 BX GB	140	25	21	119	79.5	84	G 1"	1.07	1.17	0.0026

## Related information

[Technical data](#)

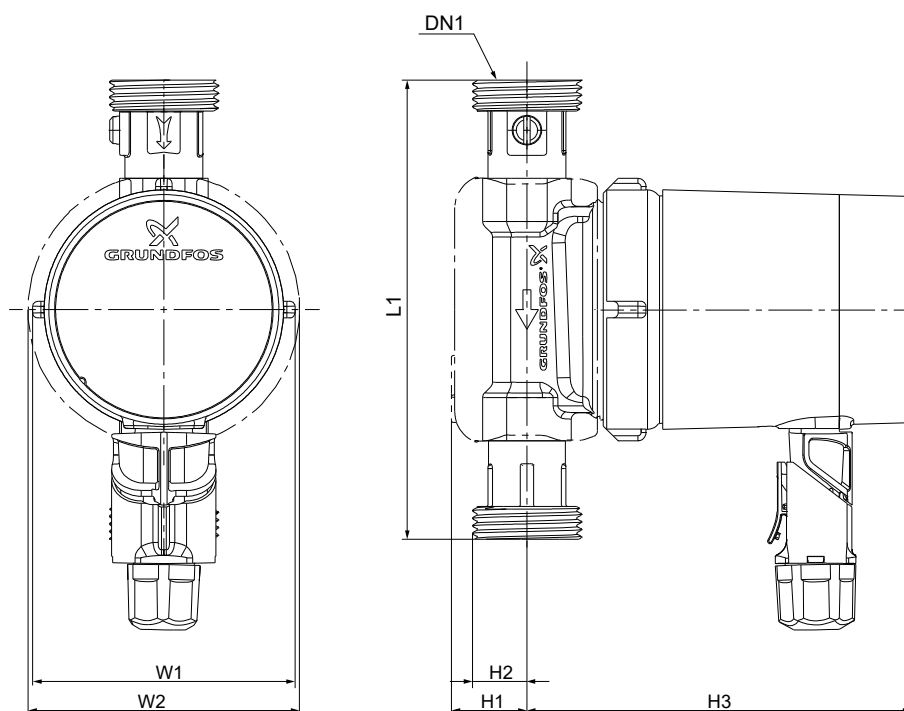
[Union sets and valves for North American COMFORT variants](#)

## COMFORT 15-14 BX T (GB)



TM068415

## Dimensions



TM087264

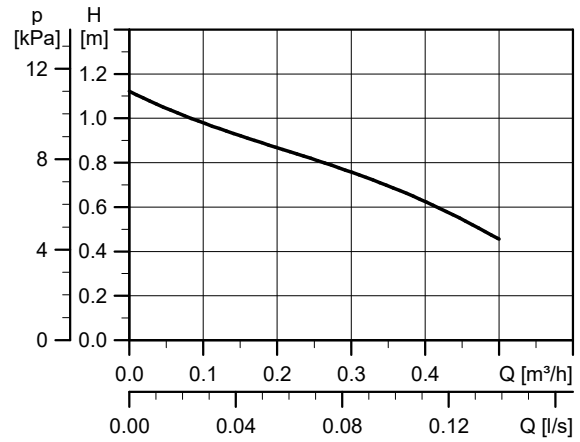
Pump type	Dimensions [mm]							Weights [kg]		Shipping volume [m <sup>3</sup> ]
	L1	H1	H2	H3	W1	W2	DN1	Net	Gross	
COMFORT 15-14 BX T GB	140	25	21	119	79.5	84	G 1"	1.14	1.24	0.0026

## Related information

[Technical data](#)

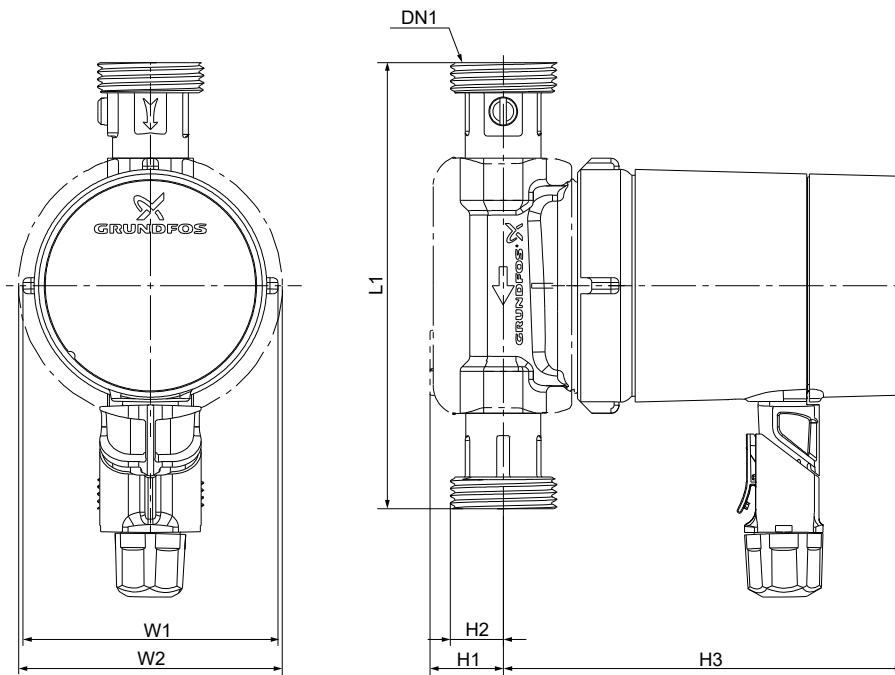
[Union sets and valves for North American COMFORT variants](#)

COMFORT 15-14 BX TDT (GB)



TM068415

Dimensions



TM087263

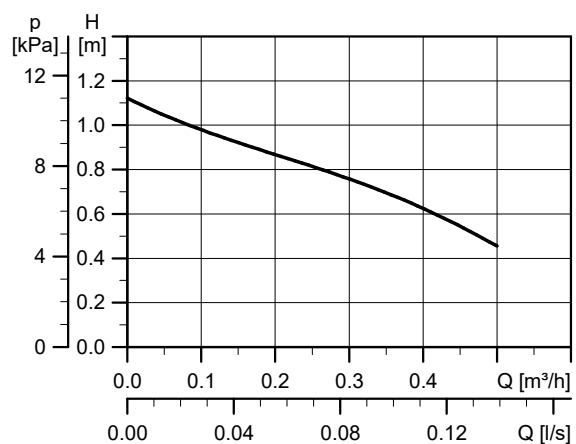
Pump type	Dimensions [mm]							Weights [kg]		Shipping volume [m³]
	L1	H1	H2	H3	W1	W2	DN1	Net	Gross	
COMFORT 15-14 BX TA GB	140	25	21	124	79.5	84	G 1"	1.14	1.24	0.0026

Related information

[Technical data](#)

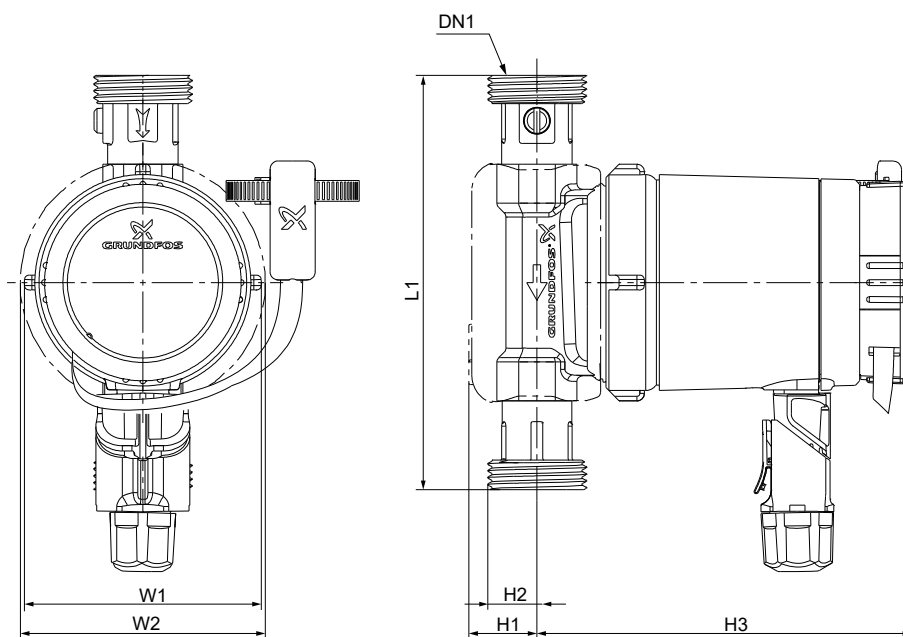
[Union sets and valves for North American COMFORT variants](#)

## COMFORT 15-14 BX TA (GB)



TM068415

## Dimensions



TM087262

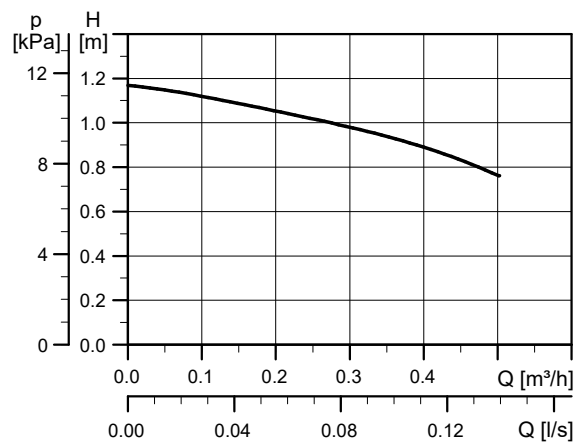
Pump type	Dimensions [mm]							Weights [kg]		Shipping volume [m³]
	L1	H1	H2	H3	W1	W2	DN1	Net	Gross	
COMFORT 15-14 BX TA GB	140	25	21	124	79.5	84	G 1"	1.18	1.28	0.0026

## Related information

[Technical data](#)

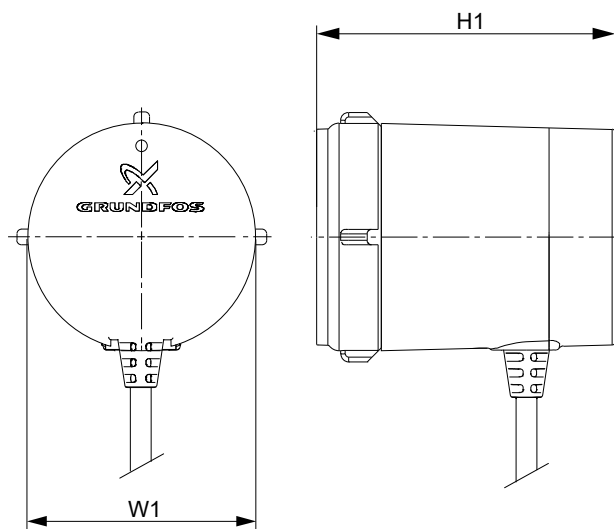
[Union sets and valves for North American COMFORT variants](#)

## COMFORT 15-14 M, 15-14 M DACH



TM063622

## Dimensions



TM1040354

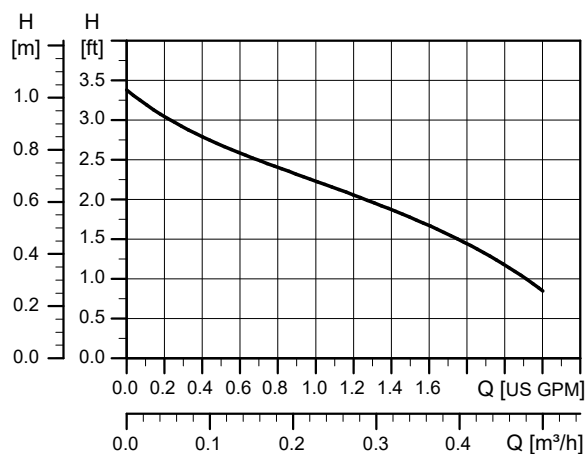
Pump type	Dimensions [mm]		Weights [kg]		Shipping volume [m³]
	H1	W1	Net	Gross	
COMFORT 15-14 M	25	79.5	0.56	0.66	0.0026
COMFORT 15-14 M DACH					

## Related information

[Technical data](#)

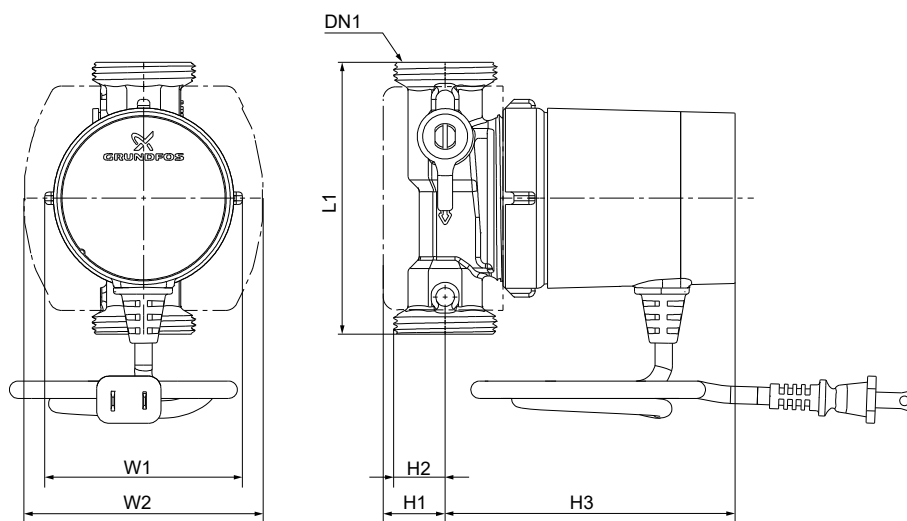
[Union sets and valves for North American COMFORT variants](#)

## COMFORT 10-16 T BU/LC



TM063625

## Dimensions



TM086644

Pump type	Dimensions [inch]							Weights [lb]		Shipping volume [ft <sup>3</sup> ]
	L1	H1	H2	H3	W1	W2	DN1	Net	Gross	
COMFORT 10-16 T BU/LC	4 1/3"	0.98	0.5	4.69	3.31	3.13	1 1/4" NPSM	3.07	3.4	0.12

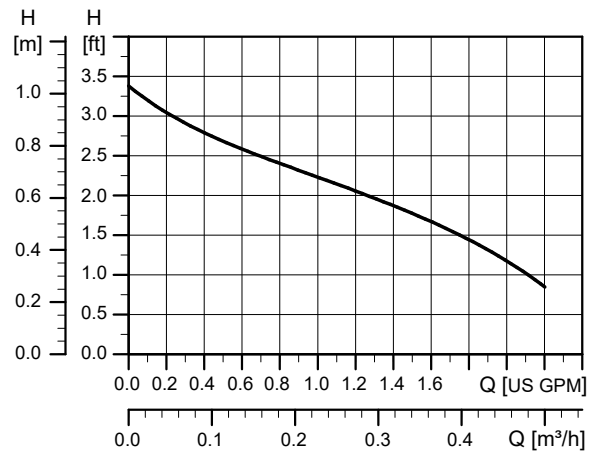
## Related information

[Technical data](#)

[Union sets and valves for North American COMFORT variants](#)

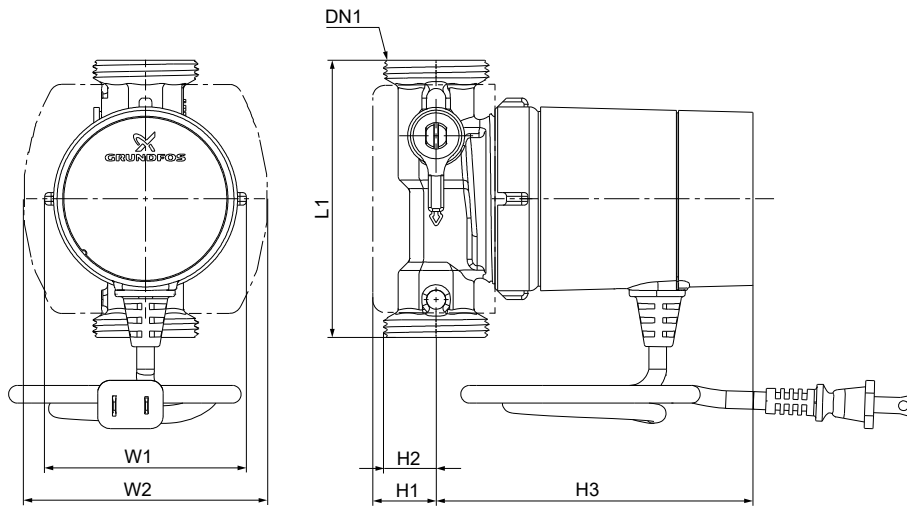


COMFORT 10-16 TDT BU/LC



TM063625

Dimensions



TM086646

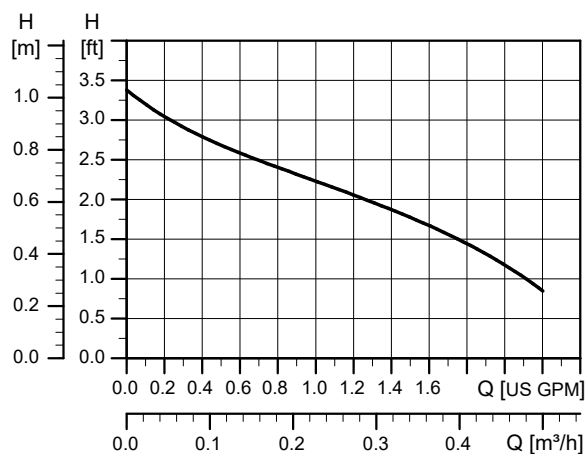
Pump type	Dimensions [inch]							Weights [lb]		Shipping volume [ft <sup>3</sup> ]
	L1	H1	H2	H3	W1	W2	DN1	Net	Gross	
COMFORT 10-16 TDT BU/LC	4 1/3"	0.98	0.5	4.88	3.13	3.31	1 1/4" NPSM	3.17	3.4	0.12

Related information

[Technical data](#)

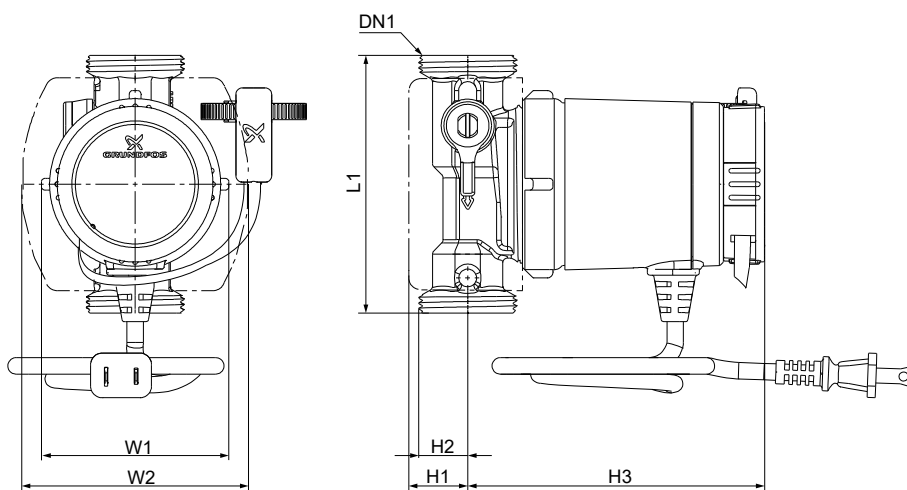
[Union sets and valves for North American COMFORT variants](#)

## COMFORT 10-16 TA BU/LC



TM063625

## Dimensions



TM086645

Pump type	Dimensions [inch]							Weights [lb]		Shipping volume [ft <sup>3</sup> ]
	L1	H1	H2	H3	W1	W2	DN1	Net	Gross	
COMFORT 10-16 TA BU/LC	4 1/3"	0.98	0.5	4.88	0.5	0.98	1 1/4" NPSM	3.17	3.4	0.12

## Related information

[Technical data](#)

[Union sets and valves for North American COMFORT variants](#)

## 7. Accessories

### Union sets and valves for International COMFORT variants

Fitting	Description	Connection	Material	Product number
Isolating valve	The valve enables shutting off a section of pipeline. Paired with a non-return valve, it simplifies pump or system maintenance. Fits Rp 1/2" COMFORT variants	R 1/2" × Rp 1/2"	Brass	96433905
Non-return valve	The valve prevents flow in the opposite direction. Paired with an isolating valve, it simplifies pump or system maintenance. Fits Rp 1/2" COMFORT variants	R 1/2" × Rp 1/2"	Brass	96433904
Union set	The set enables connecting the pump with the pipes. Sealing gaskets included. Fits G1" COMFORT "X" variants	G 1" × R 1/2"	Brass	99415021
		G 1" × Rp 1/2"		92967673
		G 1" × R 3/4"		93054545
Installation kit	The installation kit includes: <ul style="list-style-type: none"> <li>• Isolating valve, G1"</li> <li>• Non-return valve, G1"</li> <li>• Union set G 1"x R 1/2"</li> <li>• Sealing gaskets.</li> </ul> Fits Rp 1/2" COMFORT variants	Rp 1/2" × R 1/2"	Brass	00ID8748

### Union sets and valves for North American COMFORT variants

Pipe type	Description	Connection	Material	Product number
Universal	Fittings for threaded connection with the pipe. Male connection for pipe side. Union connection for pump side.	GU125 × 3/4" FNPT BZ	Bronze	529912
	Fittings with a built-in isolating valve. Female connection for pipe side. Union connection for pump side.	Union Kit GU125 × 1/2" FNPT	Bronze	519850
		Union Kit GU125 × 3/4" FNPT Iso Vlv	Bronze	519852
	Fittings with a built-in isolating valve. Compression connection for pipe side. Union connection for pump side.	Union Kit GU125 × 3/4" Comp Iso Vlv	Bronze	519851
Copper	Fittings for solder connection	Union kit GU125 × 1/2" sweat brass	Brass	529913
		Union Kit GU125 × 3/4" sweat brass	Brass	529911
PEX	Fittings for crimp connection	Union kit GU125 × 1/2" PEX crimp	Brass	93125844
		Union kit GU125 × 3/4" PEX crimp	Brass	93125859
	Fittings for expansion connection	Union kit GU125 × 1/2" PEX expansion	Brass	93199923
		Union kit GU125 × 3/4" PEX expansion	Brass	93199929

## Miscellaneous

For international and North American COMFORT variants.

Accessory	Description	Connection	Material	Product number
Venting flange	The vent enables removal of air from the system.	Applicable to all COMFORT pump housings	PP Brass PE	96433906

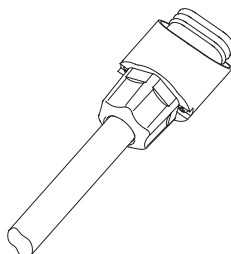
## Spare parts



TM065206

For international and North American COMFORT variants.

Description	Product number
Gasket 53.5 × 61 × 3.5 mm EPDM Min. order quantity: 20 pcs.	91076310



TM019911

For GB COMFORT variants.

Description	Product number
Spare plug for COMFORT	98685259
Bulk COMFORT plug (80 pcs.)	98890117

## 8. Grundfos Product Center

Online search and sizing tool to help you make the right choice.

From the international view, you can select your specific country to view the product range available to you.

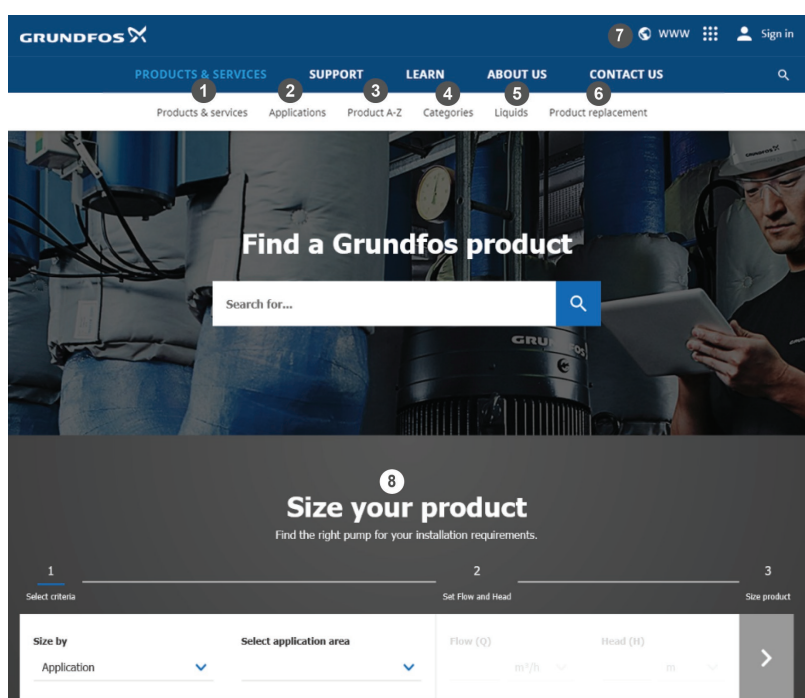
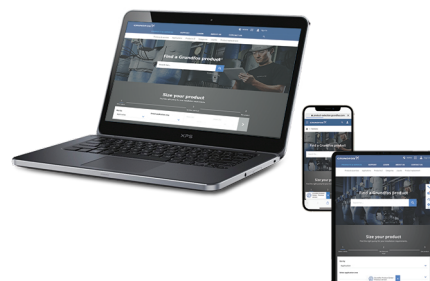
International view: <http://product-selection.grundfos.com>

### All the information you need in one place

Performance curves, technical specifications, pictures, dimensional drawings, motor curves, wiring diagrams, spare parts, service kits, 3D drawings, documents, system parts. The Product Center displays any recent and saved items - including complete projects - right on the main page.

### Downloads

On the product pages, you can download installation and operating instructions, data booklets, service instructions, etc., in PDF format.



When you select your country, you will see the menus below. Note that some menus may not be available depending on the country.

Example: <https://product-selection.grundfos.com/uk>

Pos.	Description
1	<b>Products &amp; services</b> enables you to find products and documents by typing a product number or name into the search field.
2	<b>Applications</b> enables you to choose an application to see how Grundfos can help you design and optimise your system.
3	<b>Products A-Z</b> enables you to look through a list of all the Grundfos products.
4	<b>Categories</b> enables you to look for a product category.
5	<b>Liquids</b> enables you to find pumps designed for aggressive, flammable or other special liquids.
6	<b>Product replacement</b> enables you to find a suitable replacement.
7	<b>WWW</b> enables you to select the country, which changes the language, the available product range and the structure of the website.
8	<b>Sizing</b> enables you to size a product based on your application and operating conditions.

## 9. Document quality feedback

To provide feedback about this document, scan the QR code using your phone's camera or a QR code app.



FEEDBACK98553150

[Click here to submit your feedback](#)

98553150 09.24

ECM: 1400350

**GRUNDFOS Holding A/S**  
Poul Due Jensens Vej 7  
DK-8850 Bjerringbro  
Tel: +45 87 50 14 00  
[www.grundfos.com](http://www.grundfos.com)

**GRUNDFOS** 