

CRE-DP

Asynchronous MLE Motors

Installation and operating instructions



Original installation and operating instructions.

CONTENTS

	Page
1. Limited warranty	2
2. Symbols used in this document	3
3. General information	3
4. General description	3
4.1 Settings	3
5. Mechanical installation	3
5.1 Motor cooling	3
5.2 Outdoor installation	3
6. Electrical connection	4
6.1 Electrical connection - three-phase pumps up to 10 Hp (7.5 kW)	4
6.2 Electrical connection - three-phase pumps, 15-30 Hp (11-22 kW)	6
6.3 Signal cables	8
6.4 Bus connection cable	8
7. Modes	9
7.1 Overview of modes	9
7.2 Operating mode	9
7.3 Control mode	9
7.4 Factory setting	10
8. Setting by means of control panel, three-phase pumps	11
8.1 Setting of control mode	11
8.2 Setting of pump head	11
8.3 Setting to max. curve duty	11
8.4 Setting to min. curve duty	12
8.5 Start/stop of pump	12
9. Setting by means of R100	12
9.1 Menu OPERATION	14
9.2 Menu STATUS	15
9.3 Menu INSTALLATION	17
10. Setting by means of PC Tool E-products	19
11. Priority of settings	19
12. External forced-control signals	19
12.1 Start/stop input	19
12.2 Digital input	19
13. External setpoint signal	20
14. Bus signal	21
15. Other bus standards	21
16. Indicator lights and signal relay	21
17. Insulation resistance	23
18. Emergency operation [only 15-30 Hp (11-22 kW)]	23
19. Maintenance and service	24
19.1 Cleaning of the motor	24
19.2 Relubrication of motor bearings	24
19.3 Replacement of motor bearings	24
19.4 Replacement of varistor [only 15-30 Hp (11-22 kW)]	24
19.5 Service parts and service kits	24
20. Technical data - three-phase pumps up to 10 Hp (7.5 kW)	25
20.1 Supply voltage	25
20.2 Overload protection	25
20.3 Leakage current	25
20.4 Inputs/output	25

21. Technical data - three-phase pumps, 15-30 Hp (11-22 kW)	25
21.1 Supply voltage	25
21.2 Overload protection	25
21.3 Leakage current	25
21.4 Inputs/output	26
22. Other technical data	26
23. Disposal	27

**Warning**

Prior to installation, read these installation and operating instructions. Installation and operation must comply with local regulations and accepted codes of good practice.

1. Limited warranty

Products manufactured by GRUNDFOS PUMPS CORPORATION (Grundfos) are warranted to the original user only to be free of defects in material and workmanship for a period of 24 months from date of installation, but not more than 30 months from date of manufacture. Grundfos' liability under this warranty shall be limited to repairing or replacing at Grundfos' option, without charge, F.O.B. Grundfos' factory or authorized service station, any product of Grundfos' manufacture. Grundfos will not be liable for any costs of removal, installation, transportation, or any other charges which may arise in connection with a warranty claim. Products which are sold but not manufactured by Grundfos are subject to the warranty provided by the manufacturer of said products and not by Grundfos' warranty. Grundfos will not be liable for damage or wear to products caused by abnormal operating conditions, accident, abuse, misuse, unauthorized alteration or repair, or if the product was not installed in accordance with Grundfos' printed installation and operating instructions.

To obtain service under this warranty, the defective product must be returned to the distributor or dealer of Grundfos' products from which it was purchased together with proof of purchase and installation date, failure date, and supporting installation data. Unless otherwise provided, the distributor or dealer will contact Grundfos or an authorized service station for instructions. Any defective product to be returned to Grundfos or a service station must be sent freight prepaid; documentation supporting the warranty claim and/or a Return Material Authorization must be included if so instructed.

GRUNDFOS WILL NOT BE LIABLE FOR ANY INCIDENTAL OR CONSEQUENTIAL DAMAGES, LOSSES, OR EXPENSES ARISING FROM INSTALLATION, USE, OR ANY OTHER CAUSES. THERE ARE NO EXPRESS OR IMPLIED WARRANTIES, INCLUDING MERCHANTABILITY OR FITNESS FOR A PARTICULAR PURPOSE, WHICH EXTEND BEYOND THOSE WARRANTIES DESCRIBED OR REFERRED TO ABOVE.

Some jurisdictions do not allow the exclusion or limitation of incidental or consequential damages and some jurisdictions do not allow limit actions on how long implied warranties may last. Therefore, the above limitations or exclusions may not apply to you. This warranty gives you specific legal rights and you may also have other rights which vary from jurisdiction to jurisdiction.

2. Symbols used in this document



Warning

If these safety instructions are not observed, it may result in personal injury!



Warning

The surface of the product may be so hot that it may cause burns or personal injury.

Caution

If these safety instructions are not observed, it may result in malfunction or damage to the equipment.

Note

Notes or instructions that make the job easier and ensure safe operation.

3. General information

These installation and operating instructions are a supplement to installation and operating instructions for the corresponding standard pumps CRE. For instructions not mentioned specifically here, please see installation and operating instructions for the standard pump.

4. General description

Grundfos CRE-DP pumps have standard motors with integrated frequency converter. The pumps are for single-phase or three-phase mains connection.

The pumps have a built-in PI controller and are set up with a differential pressure sensor enabling control of the differential pressure across the pump.

The pumps are typically used as circulator pumps in large heating or cooling water systems with variable demands.

4.1 Settings

The desired setpoint can be set in three different ways:

- directly on the pump control panel.
It is possible to choose between two different control modes, i.e. proportional pressure and constant pressure.
- via an input for external setpoint signal
- by means of the Grundfos wireless remote control R100/Grundfos Go.

All other settings are made by means of the R100/Grundfos Go. Important parameters such as actual value of control parameter, power consumption, etc. can be read via the R100/Grundfos Go.

5. Mechanical installation

Note

In order to retain the UL/cURus approval, follow the additional installation procedures on page 28.

5.1 Motor cooling

To ensure sufficient cooling of motor and electronics, observe the following requirements:

- Make sure that sufficient cooling air is available.
- Keep the temperature of the cooling air below 104 °F (40 °C).
- Keep cooling fins and fan blades clean.

5.2 Outdoor installation

When installed outdoors, the pump must be provided with a suitable cover to avoid condensation on the electronic components. See fig. 1.

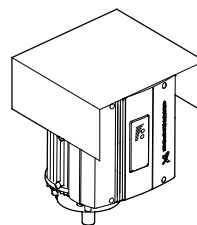


Fig. 1 Example of cover

Remove the drain plug pointing downwards in order to avoid moisture and water build-up inside the motor.

Vertically mounted pumps are IP55 after removal of the drain plug. Horizontally mounted pumps change enclosure class to IP54.

TM02 8514 0304

6. Electrical connection

For description of how to connect E-pumps electrically, see the following pages:

[6.1 Electrical connection - three-phase pumps up to 10 Hp \(7.5 kW\)](#) on page 4

[6.2 Electrical connection - three-phase pumps, 15-30 Hp \(11-22 kW\)](#) on page 6.

6.1 Electrical connection - three-phase pumps up to 10 Hp (7.5 kW)



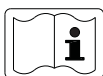
Warning

The user or the installer is responsible for the installation of correct earthing and protection according to current national and local standards. All operations must be carried out by qualified personnel.

Warning

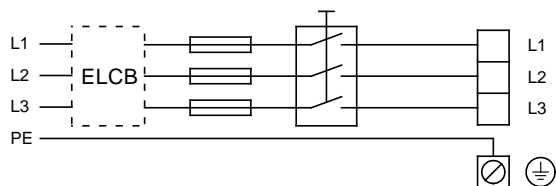
Never make any connections in the pump terminal box unless all electric supply circuits have been switched off for at least 5 minutes. Note for instance that the signal relay may be connected to an external supply which is still connected when the mains supply is disconnected.

The above warning is indicated on the motor terminal box by this yellow label:



6.1.1 Preparation

Before connecting the E-pump to the mains, take the issues illustrated in the figure below into consideration.



TM00 9270 4696

Fig. 2 Mains-connected pump with mains switch, backup fuses, additional protection and protective earthing

6.1.2 Protection against electric shock - indirect contact



Warning

The pump must be earthed in accordance with national regulations. As the leakage current of 5-10 Hp (4 - 7.5 kW) motors is > 3.5 mA, take extra precautions when earthing these motors.

EN 50178 and BS 7671 specify the following precautions when leakage current > 3.5 mA:

- The pump must be stationary and installed permanently.
- The pump must be permanently connected to the power supply.
- The earth connection must be carried out as duplicate conductors.

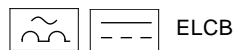
Protective earth conductors must always have a yellow/green (PE) or yellow/green/blue (PEN) color marking.

6.1.3 Backup fuses

For recommended fuse sizes, see section [20.1 Supply voltage](#).

6.1.4 Additional protection

If the pump is connected to an electric installation where an earth leakage circuit breaker (ELCB) is used as additional protection, the circuit breaker must be of a type marked with the following symbols:



This circuit breaker is **type B**.

The total leakage current of all the electrical equipment in the installation must be taken into account.

The leakage current of the motor in normal operation can be seen in section [20.3 Leakage current](#).

During start and at asymmetrical supply systems, the leakage current can be higher than normal and may cause the ELCB to trip.

6.1.5 Motor protection

The pump requires no external motor protection. The motor incorporates thermal protection against slow overloading and blocking (IEC 34-11, TP 211).

6.1.6 Protection against mains voltage transients

The pump is protected against voltage transients by built-in varistors between the phases and between phases and earth.

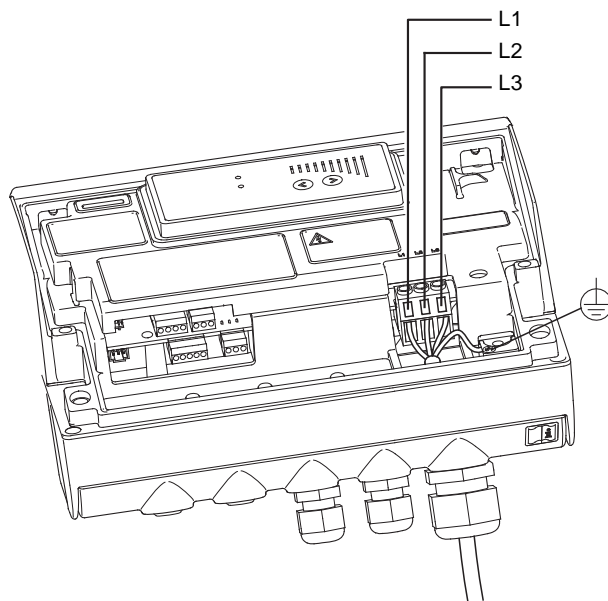
6.1.7 Supply voltage and mains

3 x 460-480 V - 10 %/+ 10 %, 50/60 Hz, PE.

The supply voltage and frequency are marked on the pump nameplate. Make sure that the pump is suitable for the power supply of the installation site.

The wires in the terminal box must be as short as possible.

Excepted from this is the protective earth conductor which must be so long that it is the last one to be disconnected in case the cable is inadvertently pulled out of the cable entry.



TM03 8600 2007

Fig. 3 Mains connection

Cable glands

Cable glands comply with EN 50626.

- 2 x M16 cable gland, cable diameter Ø4-Ø10
- 1 x M20 cable gland, cable diameter Ø9-Ø17
- 2 x M16 knock-out cable entries.



Warning

If the supply cable is damaged, it must be replaced by qualified personnel.

Grid types

Three-phase E-pumps can be connected to all grid types.



Warning

Do not connect three-phase E-pumps to a mains supply with a voltage between phase and earth of more than 440 V.

6.1.8 Start/stop of pump



The number of starts and stops via the mains voltage must not exceed 4 times per hour.

When the pump is switched on via the mains, it will start after approx. 5 seconds.

If a higher number of starts and stops is desired, use the input for external start/stop when starting/stopping the pump.

When the pump is switched on via an external on/off switch, it will start immediately.

Automatic restart



If a pump set up for automatic restart is stopped due to a fault, it will restart automatically when the fault has disappeared.

However, automatic restart only applies to fault types set up to automatic restart. These faults could typically be one of these faults:

- temporary overload
- fault in the power supply.

6.1.9 Connections



If no external on/off switch is connected, connect terminals 2 and 3 using a short wire.

As a precaution, the wires to be connected to the following connection groups must be separated from each other by reinforced insulation in their entire lengths:

Group 1: Inputs

- start/stop, terminals 2 and 3
- digital input, terminals 1 and 9
- setpoint input, terminals 4, 5 and 6
- sensor input, terminals 7 and 8
- GENIbus, terminals B, Y and A.

All inputs (group 1) are internally separated from the mains-conducting parts by reinforced insulation and galvanically separated from other circuits.

All control terminals are supplied with protective extra-low voltage (PELV), thus ensuring protection against electric shock.

Group 2: Output (relay signal, terminals NC, C, NO)

The output (group 2) is galvanically separated from other circuits. Therefore, the supply voltage or protective extra-low voltage can be connected to the output as desired.

Group 3: Mains supply (terminals N, PE, L)

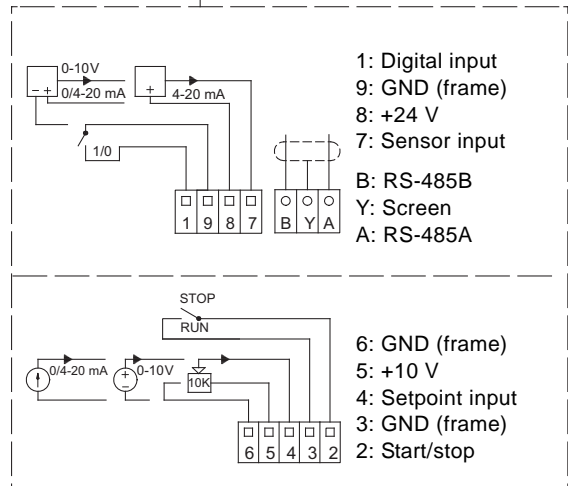
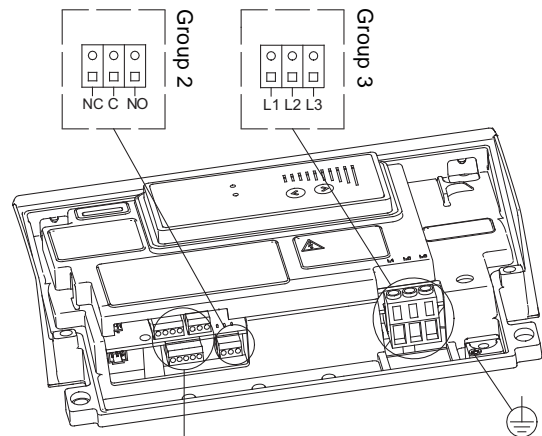


Fig. 4 Connection terminals

TM02 8414 5103

6.2 Electrical connection - three-phase pumps, 15-30 Hp (11-22 kW)



Warning

The user or the installer is responsible for the installation of correct earthing and protection according to current national and local standards. All operations must be carried out by qualified personnel.



Warning

Never make any connections in the pump terminal box unless all electric supply circuits have been switched off for at least 5 minutes.

Note for instance that the signal relay may be connected to an external supply which is still connected when the mains supply is disconnected.



Warning

The surface of the terminal box may be above 158 °F (70 °C) when the pump is operating.

6.2.1 Preparation

Before connecting the E-pump to the mains, take the issues illustrated in the figure below into consideration.

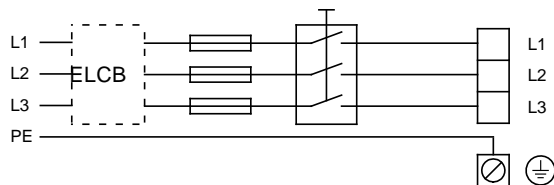


Fig. 5 Mains-connected pump with mains switch, backup fuses, additional protection and protective earthing

TM00 9270 4696

6.2.2 Protection against electric shock - indirect contact

Warning

The pump must be earthed in accordance with national regulations.

As the leakage current of 15-30 Hp (11-22 kW) motors is > 10 mA, take extra precautions when earthing these motors.



EN 61800-5-1 specifies that the pump must be stationary and installed permanently when the leakage current is > 10 mA.

One of the following requirements must be fulfilled:

- A single protective earth conductor having a cross-sectional area of min. 10 mm² copper.

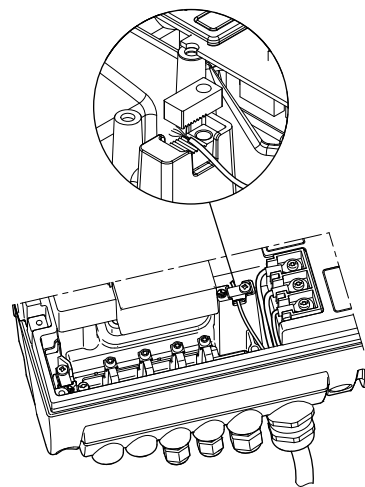


Fig. 6 Connection of a single protective earth conductor using one of the conductors of a 4-core mains cable (with cross-sectional area of min. 10 mm²)

- Two protective earth conductors of the same cross-sectional area as the mains conductors, with one conductor connected to an additional earth terminal in the terminal box.

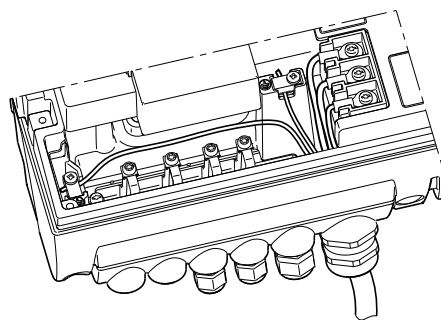


Fig. 7 Connection of two protective earth conductors using two of the conductors of a 5-core mains cable

Protective earth conductors must always have a yellow/green (PE) or yellow/green/blue (PEN) color marking.

TM04 3021 3508

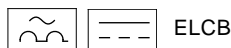
TM03 8606 2007

6.2.3 Backup fuses

For recommended fuse sizes, see section [20.1 Supply voltage](#).

6.2.4 Additional protection

If the pump is connected to an electric installation where an earth leakage circuit breaker (ELCB) is used as additional protection, the circuit breaker must be of a type marked with the following symbols:



ELCB

This circuit breaker is **type B**.

The total leakage current of all the electrical equipment in the installation must be taken into account.

The leakage current of the motor in normal operation can be seen in section [21.3 Leakage current](#).

During start and at asymmetrical supply systems, the leakage current can be higher than normal and may cause the ELCB to trip.

6.2.5 Motor protection

The pump requires no external motor protection. The motor incorporates thermal protection against slow overloading and blocking (IEC 34-11, TP 211).

6.2.6 Protection against mains voltage transients

The pump is protected against mains voltage transients in accordance with EN 61800-3 and is capable of withstanding a VDE 0160 pulse.

The pump has a replaceable varistor which is part of the transient protection.

Over time this varistor will be worn and need to be replaced.

When the time for replacement has come, the R100 and PC Tool E-products will indicate this as a warning. See section [19. Maintenance and service](#).

6.2.7 Supply voltage and mains

3 x 460-480 V - 10 %/+ 10 %, 50/60 Hz, PE.

The supply voltage and frequency are marked on the pump nameplate. Make sure that the motor is suitable for the power supply of the installation site.

The wires in the terminal box must be as short as possible.

Excepted from this is the protective earth conductor which must be so long that it is the last one to be disconnected in case the cable is inadvertently pulled out of the cable entry.

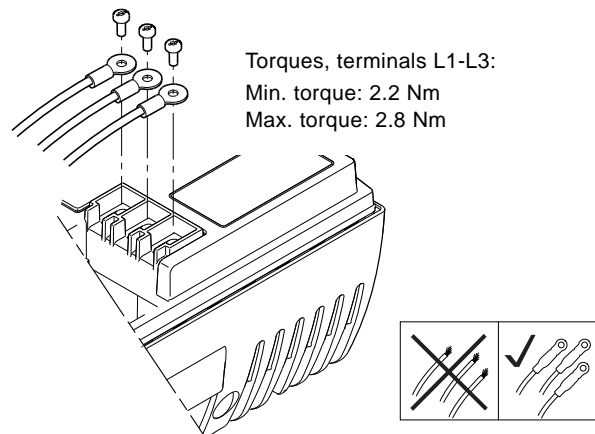


Fig. 8 Mains connection

Cable glands

Cable glands comply with EN 50626.

- 1 x M40 cable gland, cable diameter $\varnothing 16$ - $\varnothing 28$
- 1 x M20 cable gland, cable diameter $\varnothing 9$ - $\varnothing 17$
- 2 x M16 cable gland, cable diameter $\varnothing 4$ - $\varnothing 10$
- 2 x M16 knock-out cable entries.



Warning

If the supply cable is damaged, it must be replaced by qualified personnel.

Grid types

Three-phase E-pumps can be connected to all grid types.



Warning

Do not connect three-phase E-pumps to a mains supply with a voltage between phase and earth of more than 440 V.

6.2.8 Start/stop of pump

Caution

The number of starts and stops via the mains voltage must not exceed 4 times per hour.

When the pump is switched on via the mains, it will start after approx. 5 seconds.

If a higher number of starts and stops is desired, use the input for external start/stop when starting/stopping the pump.

When the pump is switched on via an external on/off switch, it will start immediately.

6.2.9 Connections

Note If no external on/off switch is connected, connect terminals 2 and 3 using a short wire.

As a precaution, the wires to be connected to the following connection groups must be separated from each other by reinforced insulation in their entire lengths:

Group 1: Inputs

- start/stop, terminals 2 and 3
- digital input, terminals 1 and 9
- setpoint input, terminals 4, 5 and 6
- sensor input, terminals 7 and 8
- GENIbus, terminals B, Y and A.

All inputs (group 1) are internally separated from the mains-conducting parts by reinforced insulation and galvanically separated from other circuits.

All control terminals are supplied with protective extra-low voltage (PELV), thus ensuring protection against electric shock.

Group 2: Output (relay signal, terminals NC, C, NO)

The output (group 2) is galvanically separated from other circuits. Therefore, the supply voltage or protective extra-low voltage can be connected to the output as desired.

Group 3: Mains supply (terminals L1, L2, L3)

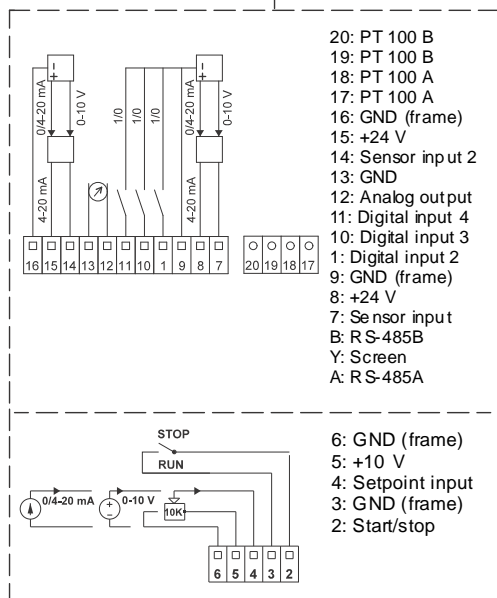
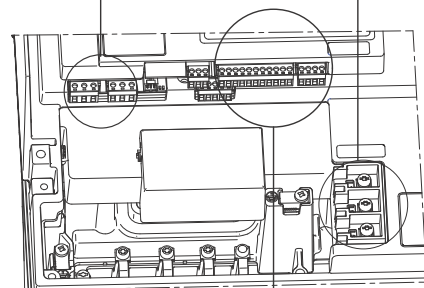
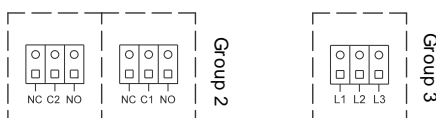


Fig. 9 Connection terminals

6.3 Signal cables

- Use screened cables with a cross-sectional area of min. 0.5 mm² and max. 1.5 mm² for external on/off switch, digital input, setpoint and sensor signals.
- Connect the screens of the cables to frame at both ends with good frame connection. The screens must be as close as possible to the terminals. See fig. 10.

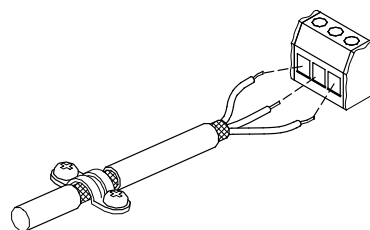


Fig. 10 Stripped cable with screen and wire connection

- Always tighten screws for frame connections whether a cable is fitted or not.
- Make the wires in the pump terminal box as short as possible.

6.4 Bus connection cable

6.4.1 New installations

For the bus connection, use a screened 3-core cable with a cross-sectional area of min. 0.2 mm² and max. 1.5 mm².

- If the pump is connected to a unit with a cable clamp which is identical to the one on the pump, connect the screen to this cable clamp.
- If the unit has no cable clamp as shown in fig. 11, leave the screen unconnected at this end.

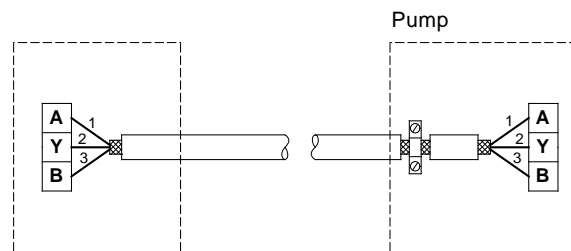


Fig. 11 Connection with screened 3-core cable

6.4.2 Replacing an existing pump

- If a screened 2-core cable is used in the existing installation, connect it as shown in fig. 12.

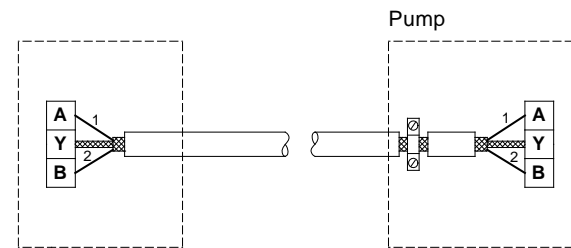


Fig. 12 Connection with screened 2-core cable

- If a screened 3-core cable is used in the existing installation, follow the instructions in section 6.4.1 New installations.

TM02 1325 0901

TM02 8841 0904

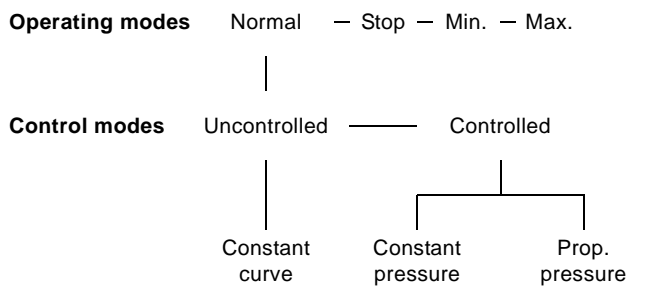
TM02 8842 0904

TM05 2986 0812

7. Modes

Grundfos E-pumps are set and controlled according to operating and control modes.

7.1 Overview of modes



7.2 Operating mode

When the operating mode is set to *Normal*, the control mode can be set to controlled or uncontrolled. See section [7.3 Control mode](#).

The other operating modes that can be selected are *Stop*, *Min.* or *Max.*

- *Stop*: The pump has been stopped.
- *Min.*: The pump is operating at its minimum speed.
- *Max.*: The pump is operating at its maximum speed.

Figure 13 is a schematic illustration of min. and max. curves.

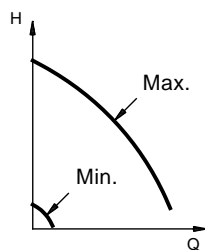


Fig. 13 Min. and max. curves

The max. curve can for instance be used in connection with the venting procedure during installation.

The min. curve can be used in periods in which a minimum flow is required.

If the power supply to the pump is disconnected, the mode setting will be stored.

The remote control R100 offers additional possibilities of setting and status displays. See section [9. Setting by means of R100](#).

7.3 Control mode

The pump can be set to two primary control modes, i.e.

- **proportional** pressure and
- **constant** pressure.

Furthermore, the pump can be set to constant curve.

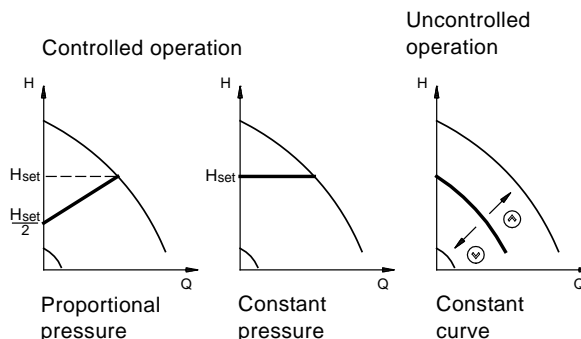


Fig. 14 Controlled and uncontrolled operation

Proportional-pressure control:

The pump head is reduced at falling water demand and increased at rising water demand. See fig. 14.

Constant-pressure control:

The pump maintains a constant pressure, irrespective of water demand. See fig. 14.

Constant curve mode:



The pump is not controlled. The curve can be set within the range from min. curve to max. curve. See fig. 14.

The pumps have been factory-set to proportional pressure. See section [7.4 Factory setting](#). In most cases, this is the optimum control mode, and at the same time it consumes the least energy.

TM00 5547 0995

TM00 7630 3604

7.3.1 Guide to the selection of control mode based on system type

System type	System description	Select this control mode
Relatively big pressure losses in the boiler, chiller or heat exchanger circuit and the pipes.	1. Two-pipe heating systems with thermostatic valves <ul style="list-style-type: none"> • with a dimensioned pump head higher than 13 ft. (4 meters) • very long distribution pipes • strongly throttled pipe balancing valves • differential pressure regulators • big pressure losses in those parts of the system through which the total quantity of water flows (e.g. boiler, chiller, heat exchanger and pipes up to the first branching). 	Proportional pressure 
	2. Primary circuit pumps in systems with big pressure losses in the primary circuit.	
Relatively small pressure losses in the boiler, chiller or heat exchanger circuit and the pipes.	1. Two-pipe heating or cooling systems with thermostatic valves <ul style="list-style-type: none"> • with a dimensioned pump head lower than 7 ft. (2 meters) • dimensioned for natural circulation • with small head losses in those parts of the system through which the total quantity of water flows (e.g. boiler, chiller, heat exchanger and pipes up to the first branching) • modified to a high differential temperature between flow pipe and return pipe (e.g. district heating). 	Constant pressure 
	2. Floor heating systems with thermostatic valves.	
	3. One-pipe heating systems with thermostatic valves or pipe balancing valves.	
	4. Primary circuit pumps in systems with small pressure losses in the primary circuit.	

7.4 Factory setting

CRE-DP:

The pumps have been factory-set to proportional pressure.

The head corresponds to 50 % of the maximum pump head (see data sheet for the pump).

Many systems will operate satisfactorily with the factory setting, but most systems can be optimized by changing this setting.

In sections [9.1 Menu OPERATION](#) and [9.3 Menu INSTALLATION](#), the factory setting is marked with **bold**-faced type under each individual display.

8. Setting by means of control panel, three-phase pumps



Warning

At high system temperatures, the pump may be so hot that only the buttons should be touched to avoid burns.

The pump control panel incorporates the following buttons and indicator lights:

- Buttons, ⬆ and ⬇, for setpoint setting.
- Light fields, yellow, for indication of setpoint.
- Indicator lights, green (operation) and red (fault).

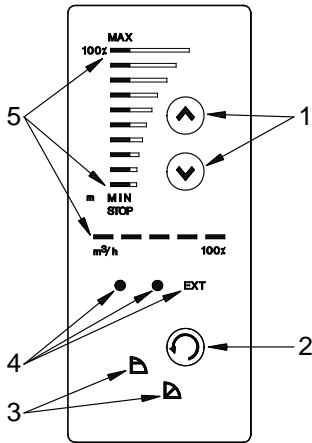


Fig. 15 Control panel, three-phase pumps

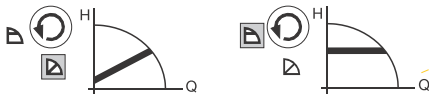
Pos.	Description
1 and 2	Buttons for setting.
3 and 5	Light fields for indication of <ul style="list-style-type: none"> control mode (pos. 3) head, performance and operating mode (pos. 5).
4	Indicator lights for indication of <ul style="list-style-type: none"> operation and fault external control (EXT).

8.1 Setting of control mode

Description of function, see section 7.3 Control mode.

Change the control mode by pressing Ⓢ (pos. 2) according to the following cycle:

- constant pressure, ▽
- proportional pressure, ▽.



TM03 0177 4304

TM03 9061 3307

8.2 Setting of pump head

Set the pump head by pressing the button ⬆ or ⬇.

The light fields on the control panel will indicate the head set (setpoint). See the following examples.

Proportional pressure

Figure 16 shows that the light fields 5 and 6 are activated, indicating a desired head of 34 psi at maximum flow. The setting range lies between 25 % to 90 % of maximum head.

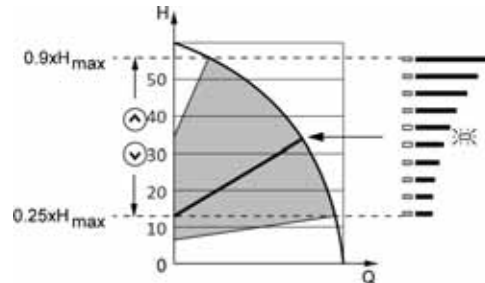


Fig. 16 Pump in control mode proportional pressure

Constant pressure

Figure 17 shows that the light fields 5 and 6 are activated, indicating a desired head of 34 psi. The setting range lies between 1/8 (12.5 %) of maximum head and maximum head.

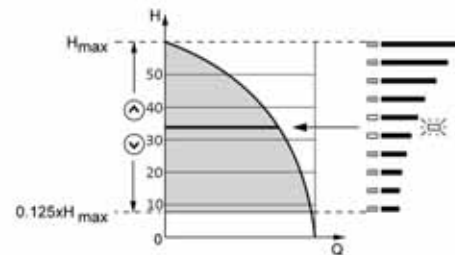


Fig. 17 Pump in control mode constant-pressure

8.3 Setting to max. curve duty

Press ⬆ continuously to change to the max. curve of the pump (MAX illuminates). See fig. 18.

To change back, press ⬇ continuously until the desired head is indicated.

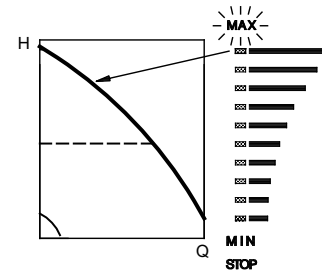



Fig. 18 Max. curve duty


TM06 3677 0215

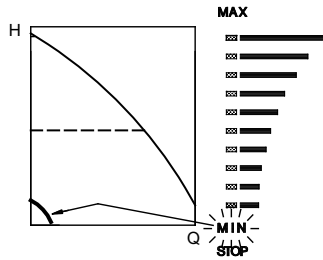
TM06 3678 0215

TM03 0289 4704

8.4 Setting to min. curve duty

Press  continuously to change to the min. curve of the pump (MIN illuminates). See fig. 19.

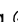
To change back, press  continuously until the desired head is indicated.

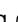


TM03 0290 4704

Fig. 19 Min. curve duty

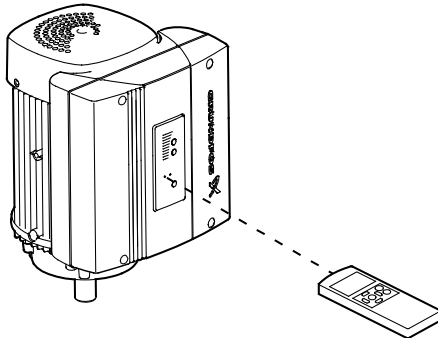
8.5 Start/stop of pump

Start the pump by continuously pressing  until the desired head is indicated.

Stop the pump by continuously pressing  until STOP illuminates and the green indicator light flashes.

9. Setting by means of R100

The pump is designed for wireless communication with the Grundfos remote control R100.



TM03 0141 4104

Fig. 20 R100 communicating with the pump via infra-red light

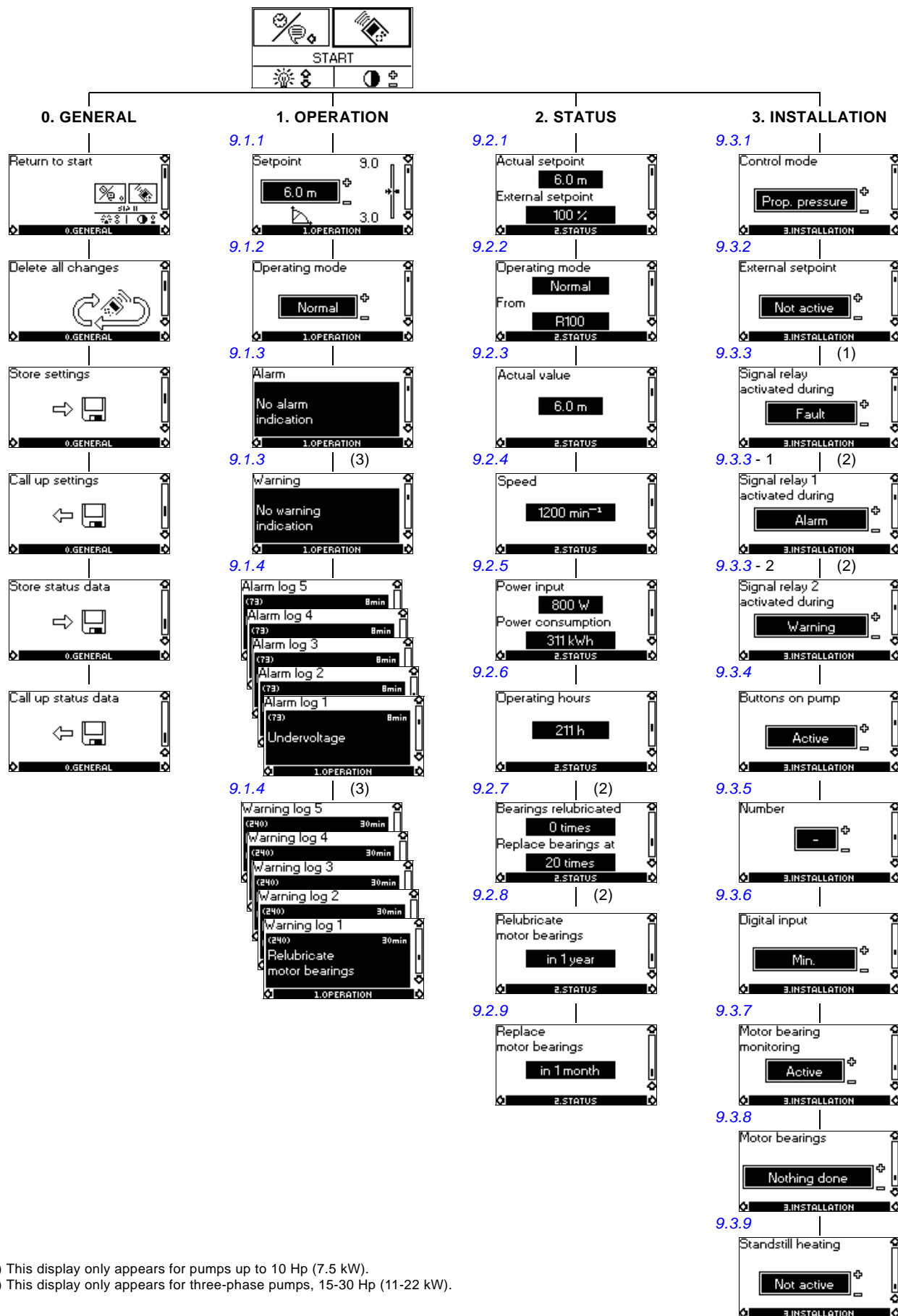
During communication, the R100 must be pointed at the control panel. When the R100 communicates with the pump, the red indicator light will flash rapidly. Keep pointing the R100 at the control panel until the red LED diode stops flashing.

The R100 offers setting and status displays for the pump.

The displays are divided into four parallel menus, see fig. 20:

- 0. GENERAL (see operating instructions for the R100)
- 1. OPERATION
- 2. STATUS
- 3. INSTALLATION

The figure above each individual display in fig. 20 refers to the section in which the display is described.

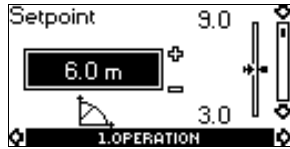


(1) This display only appears for pumps up to 10 Hp (7.5 kW).
 (2) This display only appears for three-phase pumps, 15-30 Hp (11-22 kW).

9.1 Menu OPERATION

The first display in this menu is this:

9.1.1 Setpoint



- ▶ Setpoint set
- ▶ Actual setpoint
- Actual value

Set the desired setpoint in [m] in this display.

In control mode **proportional pressure**, the setting range is from 1/4 to 3/4 of maximum head.

In control mode **constant pressure**, the setting range is from 1/8 of maximum head to maximum head.

In control mode **constant curve**, the setpoint is set in % of the maximum curve. The curve can be set within the range from min. curve to max. curve.

Select one of the following operating modes:

- Stop
- Min. (min. curve)
- Max. (max. curve).

If the pump is connected to an external setpoint signal, the value in this display will be the maximum value of the external setpoint signal. See section 13. [External setpoint signal](#).

Setpoint and external signal

The setpoint cannot be set if the pump is controlled via external signals (*Stop*, *Min. curve* or *Max. curve*). The R100 will give this warning: *External control!*

Check if the pump is stopped via terminals 2-3 (open circuit) or set to min. or max. via terminals 1-3 (closed circuit).

See section 11. [Priority of settings](#).

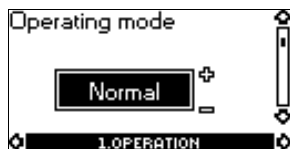
Setpoint and bus communication

The setpoint cannot be set either if the pump is controlled from an external control system via bus communication. The R100 will give this warning: *Bus control!*

To override bus communication, disconnect the bus connection.

See section 11. [Priority of settings](#).

9.1.2 Operating mode



Select one of the following operating modes:

- **Normal** (duty)
- Stop
- Min.
- Max.

The operating modes can be selected without changing the setpoint setting.

9.1.3 Fault indications

In E-pumps, faults may result in two types of indication: alarm or warning.

An "alarm" fault will activate an alarm indication in the R100 and cause the pump to change operating mode, typically to stop. However, for some faults resulting in alarm, the pump is set to continue operating even if there is an alarm.

A "warning" fault will activate a warning indication in the R100, but the pump will not change operating or control mode.

Note

The indication "Warning" only applies to three-phase pumps.

Alarm



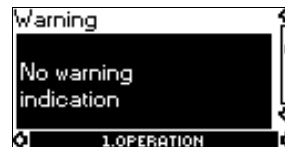
In case of alarm, the cause will appear in this display.

Possible causes:

- No alarm indication
- Too high motor temperature
- Undervoltage
- Mains voltage asymmetry 15-30 Hp (11-22 kW)
- Overvoltage
- Too many restarts (after faults)
- Overload
- Underload 15-30 Hp (11-22 kW)
- Sensor signal outside signal range
- Setpoint signal outside signal range
- External fault
- Other fault.

If the pump has been set up to manual restart, an alarm indication can be reset in this display if the cause of the fault has disappeared.

Warning (only three-phase pumps)



In case of warning, the cause will appear in this display.

Possible causes:

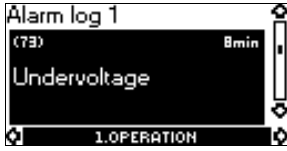
- No warning indication
- Sensor signal outside signal range
- Relubricate motor bearings [only 15-30 Hp (11-22 kW)], see section 19.2 [Relubrication of motor bearings](#)
- Replace motor bearings, see section 19.3 [Replacement of motor bearings](#)
- Replace varistor [only 15-30 Hp (11-22 kW)], see section 19.4 [Replacement of varistor \[only 15-30 Hp \(11-22 kW\)\]](#).

A warning indication will disappear automatically once the fault has been remedied.

9.1.4 Fault log

For both fault types, alarm and warning, the R100 has a log function.

Alarm log

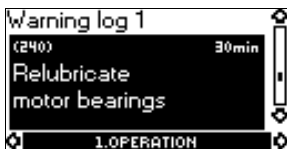


In case of "alarm" faults, the last five alarm indications will appear in the alarm log. "Alarm log 1" shows the latest fault, "Alarm log 2" shows the latest fault but one, etc.

The example above gives this information:

- the alarm indication *Undervoltage*
- the fault code (73)
- the number of minutes the pump has been connected to the power supply after the fault occurred, *8 min.*

Warning log (only three-phase pumps)



In case of "warning" faults, the last five warning indications will appear in the warning log. "Warning log 1" shows the latest fault, "Warning log 2" shows the latest fault but one.

The example above gives this information:

- the warning indication *Relubricate motor bearings*
- the fault code (240)
- the number of minutes the pump has been connected to the power supply since the fault occurred, *30 min.*

9.2 Menu STATUS

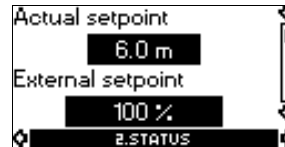
The displays appearing in this menu are status displays only. It is not possible to change or set values.

The displayed values are the values that applied when the last communication between the pump and the R100 took place. If a status value is to be updated, point the R100 at the control panel and press "OK".

If a parameter, e.g. speed, should be called up continuously, press "OK" constantly during the period in which the parameter in question should be monitored.

The tolerance of the displayed value is stated under each display. The tolerances are stated as a guide in % of the maximum values of the parameters.

9.2.1 Actual setpoint



Tolerance: $\pm 2\%$

This display shows the actual setpoint and the external setpoint in % of the range from minimum value to the setpoint set.

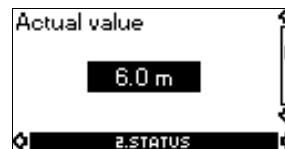
See section [13. External setpoint signal](#).

9.2.2 Operating mode



This display shows the actual operating mode (*Normal* (duty), *Stop*, *Min.* or *Max.*). Furthermore, it shows where this operating mode was selected (*R100*, *Pump*, *Bus* or *External*).

9.2.3 Actual value



This display shows the value actually measured by a connected sensor.

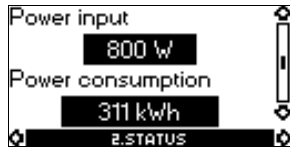
9.2.4 Speed



Tolerance: $\pm 5\%$

The actual pump speed will appear in this display.

9.2.5 Power input and power consumption



Tolerance: $\pm 10\%$

This display shows the actual pump input power from the mains supply. The power is displayed in W or kW.

The pump power consumption can also be read from this display. The value of power consumption is an accumulated value calculated from the pump's birth and it cannot be reset.

9.2.6 Operating hours



Tolerance: $\pm 2\%$

The value of operating hours is an accumulated value and cannot be reset.

9.2.7 Lubrication status of motor bearings [only 15-30 Hp (11-22 kW)]



This display shows how many times the motor bearings have been relubricated and when to replace the motor bearings.

When the motor bearings have been relubricated, confirm this action in the INSTALLATION menu. See section [9.3.8 Confirming relubrication/replacement of motor bearings \(only three-phase pumps\)](#). When relubrication is confirmed, the figure in the above display will be increased by one.

9.2.8 Time till relubrication of motor bearings [only 15-30 Hp (11-22 kW)]



This display shows when to relubricate the motor bearings. The controller monitors the operating pattern of the pump and calculates the period between bearing relubrications. If the operating pattern changes, the calculated time till relubrication may change as well.

The displayable values are these:

- in 2 years
- *in 1 year*
- *in 6 months*
- *in 3 months*
- *in 1 month*
- *in 1 week*
- *Now!*

9.2.9 Time till replacement of motor bearings (only three-phase pumps)

When the motor bearings have been relubricated, a prescribed number of times stored in the controller, the display in section [9.2.8 Time till relubrication of motor bearings \[only 15-30 Hp \(11-22 kW\)\]](#) will be replaced by the display below.



This display shows when to replace the motor bearings.

The controller monitors the operating pattern of the pump and calculates the period between bearing replacements.

The displayable values are these:

- in 2 years
- *in 1 year*
- *in 6 months*
- *in 3 months*
- *in 1 month*
- *in 1 week*
- *Now!*

9.3 Menu INSTALLATION

9.3.1 Control mode



Select one of the following control modes (see fig. 14):

- **Prop. pressure** (proportional pressure)
- *Const. pressure* (constant pressure)
- *Const. curve* (constant curve).

How to set the desired performance, see section 9.1.1 [Setpoint](#).

Note

If the pump is connected to a bus, the control mode cannot be selected via the R100. See section 14. [Bus signal](#).

9.3.2 External setpoint



The input for external setpoint signal can be set to different signal types.

Select one of the following types:

- 0-10 V
- 0-20 mA
- 4-20 mA
- **Not active.**

If *Not active* is selected, the setpoint set by means of the R100 or on the control panel will apply.

If one of the signal types is selected, the actual setpoint is influenced by the signal connected to the external setpoint input. See 13. [External setpoint signal](#).

9.3.3 Signal relay

Pumps up to 10 Hp (7.5 kW) have one signal relay. The factory setting of the relay will be *Fault*.

Pumps of 15 Hp (11-22 kW) have two signal relays. Signal relay 1 is factory-set to *Alarm* and signal relay 2 to *Warning*.

In one of the displays below, select in which operating situation the signal relay should be activated.

For further information, see section 16. [Indicator lights and signal relay](#).

Up to 10 Hp (7.5 kW)



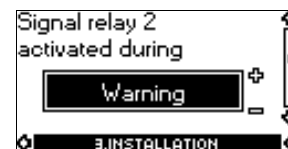
- *Ready*
- **Fault**
- *Operation*
- *Pump running* (only three-phase pumps up to 10 Hp (7.5 kW))
- *Warning* (only three-phase pumps up to 10 Hp (7.5 kW))

15-30 Hp (11-22 kW)



- *Ready*
- **Alarm**
- *Operation*
- *Pump running*
- *Warning*
- *Relubricate.*

15-30 Hp (11-22 kW)



- *Ready*
- **Alarm**
- *Operation*
- *Pump running*
- **Warning**
- *Relubricate.*

Fault and Alarm cover faults resulting in Alarm.

Warning covers faults resulting in Warning.

Relubricate covers only that one individual event.



For distinction between alarm and warning, see section 9.1.3 [Fault indications](#).

Note

For further information, see section 16. [Indicator lights and signal relay](#).

9.3.4 Buttons on pump



The operating buttons  and  on the control panel can be set to these values:

- **Active**
- *Not active.*

When set to *Not active* (locked), the buttons do not function. Set the buttons to *Not active* if the pump should be controlled via an external control system.

9.3.5 Pump number



A number between 1 and 64 can be allocated to the pump. In the case of bus communication, a number must be allocated to each pump.

9.3.6 Digital input



The digital input of the pump (terminal 1, figs 9, 4 and 9) can be set to different functions.

Select one of the following functions:

- **Min.** (min. curve)
- **Max.** (max. curve).

The selected function is activated by closing the contact between terminals 1 and 9 (figs 4 and 9).

See also section [12.2 Digital input](#).

Min.:

When the input is activated, the pump is operating according to the min. curve.

Max.:

When the input is activated, the pump is operating according to the max. curve.

9.3.7 Motor bearing monitoring (only three-phase pumps)



The motor bearing monitoring function can be set to these values:

- **Active**
- *Not active.*

When the function is set to *Active*, a counter in the controller will start counting the mileage of the bearings. See section [9.2.7 Lubrication status of motor bearings \[only 15-30 Hp \(11-22 kW\)\]](#).

The counter will continue counting even if the function is switched to *Not active*, but a warning will not be given when it is time for relubrication. When the function is switched to *Active* again, the accumulated mileage will again be used to calculate the relubrication time.

Note

9.3.8 Confirming relubrication/replacement of motor bearings (only three-phase pumps)



This function can be set to these values:

- *Relubricated* [only 15-30 Hp (11-22 kW)]
- *Replaced*
- **Nothing done.**

When the bearing monitoring function is *Active*, the controller will give a warning indication when the motor bearings are due to be relubricated or replaced. See section [9.1.3 Fault indications](#).

When the motor bearings have been relubricated or replaced, confirm this action in the above display by pressing "OK".

Note

Relubricated cannot be selected for a period of time after confirming relubrication.

9.3.9 Standstill heating (only three-phase pumps)



The standstill heating function can be set to these values:

- *Active*
- **Not active.**

When the function is set to *Active*, a low voltage will be applied to the motor windings. The applied voltage will ensure that sufficient heat is generated to avoid condensation in the motor.

10. Setting by means of PC Tool E-products

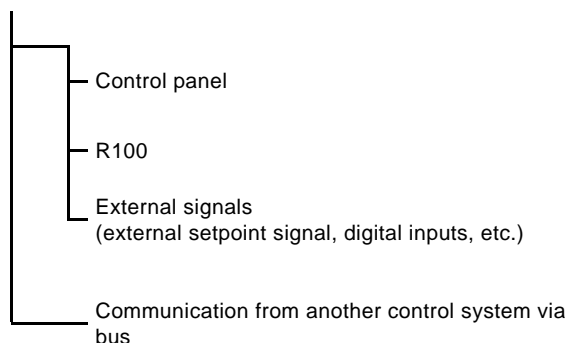
Special setup requirements differing from the settings available via the R100 require the use of Grundfos PC Tool E-products. This again requires the assistance of a Grundfos service technician or engineer. Contact your local Grundfos company for more information.

11. Priority of settings

The priority of settings depends on two factors:

1. control source
2. settings.

1. Control source



2. Settings

- Operating mode *Stop*
- Operating mode *Max.* (max. curve)
- Operating mode *Min.* (min. curve)
- Setpoint setting.

An E-pump can be controlled by different control sources at the same time, and each of these sources can be set differently.

Consequently, it is necessary to set an order of priority of the control sources and the settings.

Note

If two or more settings are activated at the same time, the pump will operate according to the function with the highest priority.

Priority of settings without bus communication

Priority	Control panel or R100	External signals
1	Stop	
2	Max.	
3		Stop
4		Max.
5	Min.	Min.
6	Setpoint setting	Setpoint setting

Example: If the E-pump has been set to operating mode *Max.* (max. frequency) via an external signal, such as digital input, the control panel or R100 can only set the E-pump to operating mode *Stop*.

Priority of settings with bus communication

Priority	Control panel or R100	External signals	Bus communication
1	Stop		
2	Max.		
3		Stop	Stop
4			Max.
5			Min.
6			Setpoint setting

Example: If the E-pump is operating according to a setpoint set via bus communication, the control panel or R100 can set the E-pump to operating mode *Stop* or *Max.*, and the external signal can only set the E-pump to operating mode *Stop*.

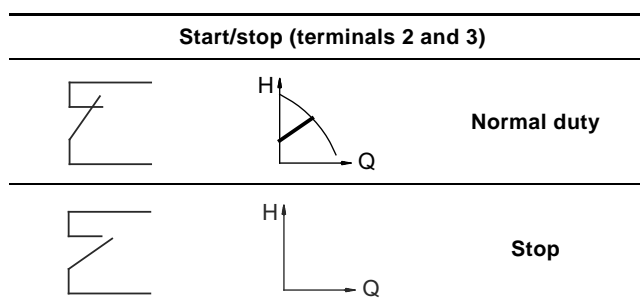
12. External forced-control signals

The pump has inputs for external signals for the forced-control functions:

- Start/stop of pump.
- Digital function.

12.1 Start/stop input

Functional diagram: Start/stop input

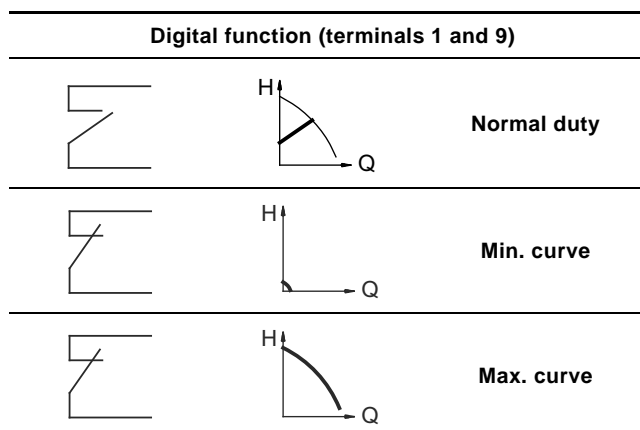


12.2 Digital input

By means of the R100, one of the following functions can be selected for the digital input:

- *Min. curve*
- *Max. curve*.

Functional diagram: Input for digital function



13. External setpoint signal

The setpoint can be remote-set by connecting an analogue signal transmitter to the input for the setpoint signal (terminal 4).

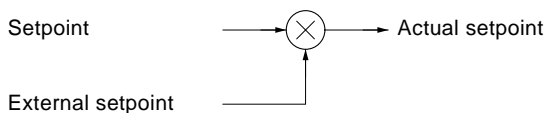


Fig. 21 Actual setpoint as a product (multiplied value) of setpoint and external setpoint

Select the actual external signal, 0-10 V, 0-20 mA, 4-20 mA, via the R100. See section 9.3.2 External setpoint.

Control mode controlled

If control mode controlled, see control hierarchy in section 7.1 Overview of modes, is selected by means of the R100, the pump can be controlled to:

- proportional pressure
- constant pressure.

In control mode **proportional pressure**, the setpoint can be set externally within the range from 25 % of maximum head to the setpoint set on the pump or by means of the R100. See fig. 22.

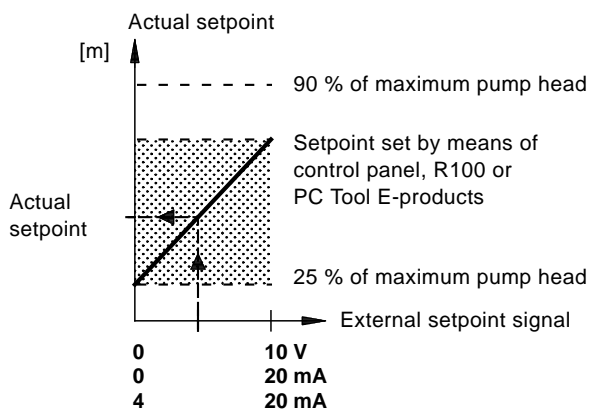


Fig. 22 Relation between the actual setpoint and the external setpoint signal in control mode proportional pressure

Example: At a maximum head of 12 meters, a setpoint of 6 meters and an external setpoint of 40 %, the actual setpoint will be as follows:

$$\begin{aligned}
 H_{\text{actual}} &= (H_{\text{set}} - 1/4 H_{\text{max.}}) \times \%_{\text{external setpoint}} + 1/4 H_{\text{max.}} \\
 &= (6 - 12/4) \times 40\% + 12/4 \\
 &= 4.2 \text{ meters}
 \end{aligned}$$

In control mode **constant pressure**, the setpoint can be set externally within the range from 12.5 % of maximum head to the setpoint set on the pump or by means of the R100. See fig. 23.

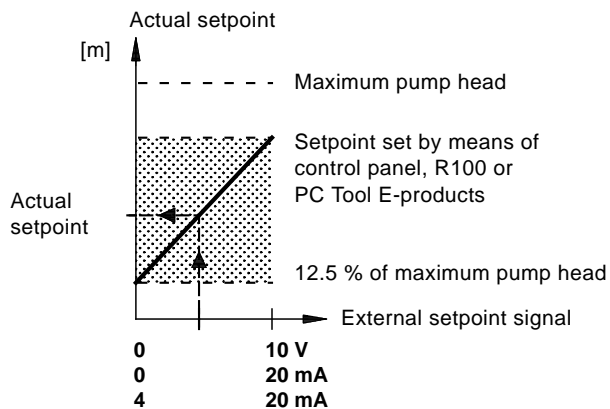


Fig. 23 Relation between the actual setpoint and the external setpoint signal in control mode constant pressure

Example: At a maximum head of 12 meters, a setpoint of 6 meters and an external setpoint of 80 %, the actual setpoint will be as follows:

$$\begin{aligned}
 H_{\text{actual}} &= (H_{\text{set}} - 1/8 H_{\text{max.}}) \times \%_{\text{external setpoint}} + 1/8 H_{\text{max.}} \\
 &= (6 - 12/8) \times 80\% + 12/8 \\
 &= 5.1 \text{ meters}
 \end{aligned}$$

Control mode uncontrolled

If control mode uncontrolled, see control hierarchy in section 7.1 Overview of modes, is selected by means of the R100, the pump is controlled to a constant curve and can be controlled by any (external) controller.

In control mode **constant curve**, the setpoint can be set externally within the range from the min. curve to the setpoint set on the pump or by means of the R100. See fig. 24.

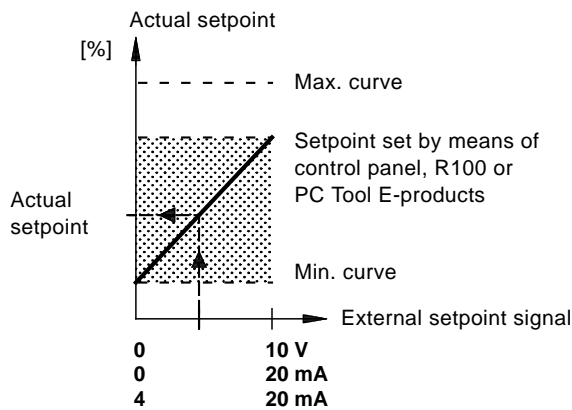


Fig. 24 Relation between the actual setpoint and the external setpoint signal in control mode constant curve

14. Bus signal

The pump supports serial communication via an RS-485 input. The communication is carried out according to the Grundfos bus protocol, GENibus protocol, and enables connection to a building management system or another external control system.

Operating parameters, such as setpoint, operating mode, etc. can be remote-set via the bus signal. At the same time, the pump can provide status information about important parameters, such as actual value of control parameter, input power, fault indications, etc.

Contact Grundfos for further details.

Note *If a bus signal is used, the number of settings available via the R100 will be reduced.*

15. Other bus standards

Grundfos offers various bus solutions with communication according to other standards.

Contact Grundfos for further details.

16. Indicator lights and signal relay

The operating condition of the pump is indicated by the green and red indicator lights fitted on the pump control panel and inside the terminal box. See figs 25 and 26.

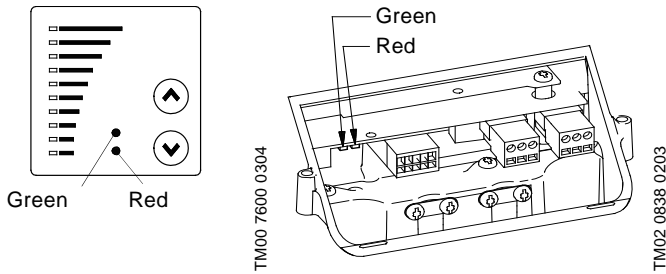


Fig. 25 Position of indicator lights on single-phase pumps

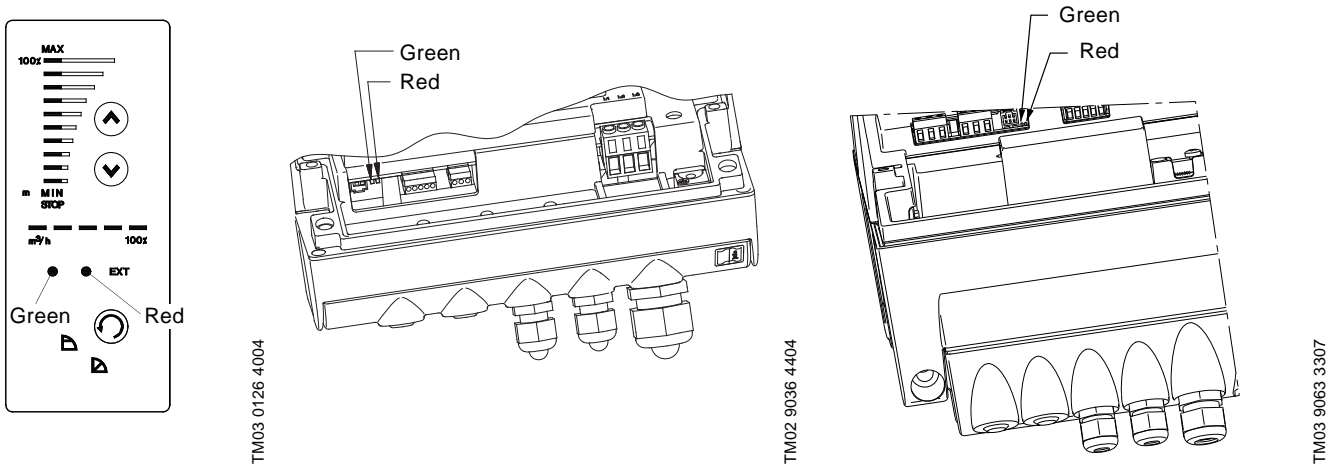


Fig. 26 Position of indicator lights on three-phase pumps

Besides, the pump incorporates an output for a potential-free signal via an internal relay.

For signal relay output values, see section [9.3.3 Signal relay](#).

The functions of the two indicator lights and the signal relay are as shown in the following table:

Indicator lights		Signal relay activated during:				Description
Fault (red)	Operation (green)	Fault/Alarm, Warning and Relubricate	Operating	Ready	Pump running	
Off	Off					The power supply has been switched off.
Off	Permanently on					The pump is operating.
Off	Flashing					The pump has been set to stop.
Permanently on	Off					The pump has stopped because of a <i>Fault/Alarm</i> or is running with a <i>Warning</i> or <i>Relubricate</i> indication. If the pump was stopped, restarting will be attempted (it may be necessary to restart the pump by resetting the <i>Fault</i> indication).
Permanently on	Permanently on					The pump is operating, but it has or has had a <i>Fault/Alarm</i> allowing the pump to continue operation or it is operating with a <i>Warning</i> or <i>Relubricate</i> indication. If the cause is "sensor signal outside signal range", the pump will continue operating according to the max. curve and the fault indication cannot be reset until the signal is inside the signal range. If the cause is "setpoint signal outside signal range", the pump will continue operating according to the min. curve and the fault indication cannot be reset until the signal is inside the signal range.
Permanently on	Flashing					The pump has been set to stop, but it has been stopped because of a <i>Fault</i> .

Resetting of fault indication

A fault indication can be reset in one of the following ways:

- Briefly press the button or on the pump. This will not change the setting of the pump.
A fault indication cannot be reset by means of or if the buttons have been locked.
- Switch off the power supply until the indicator lights are off.
- Switch the external start/stop input off and then on again.
- Use the R100. See section [9.1.3 Fault indications](#).

When the R100 communicates with the pump, the red indicator light will flash rapidly.

17. Insulation resistance

Up to 10 Hp (7.5 kW)

Caution

Do not measure the insulation resistance of motor windings or an installation incorporating E-pumps using high voltage megging equipment, as this may damage the built-in electronics.

15-30 Hp (11-22 kW)

Caution

Do not measure the insulation resistance of an installation incorporating E-pumps using high voltage megging equipment, as this may damage the built-in electronics.

The motor conductors can be disconnected separately and the insulation resistance of the motor windings can be tested.

18. Emergency operation [only 15-30 Hp (11-22 kW)]

Warning



Never make any connections in the pump terminal box unless all electric supply circuits have been switched off for at least 5 minutes.

Note for instance that the signal relay may be connected to an external supply which is still connected when the mains supply is disconnected.

If the pump has stopped and it does not restart after you have gone through normal remedies, the reason could be a faulty frequency converter. If this is the case, it is possible to establish emergency operation of the pump.

But before you change to emergency operation, we recommend you to check these points:

- Check that the mains supply is OK.
- Check that control signals are working (start/stop signals).
- Check that all alarms have been reset.
- Make a resistance test on the motor windings (disconnect the motor conductors from the terminal box).

If the pump still does not start, the frequency converter is faulty.

To establish emergency operation, proceed as follows:

1. Disconnect the three mains conductors, L1, L2, L3, from the terminal box, but leave the protective earth conductor(s) in position on the PE terminal(s).

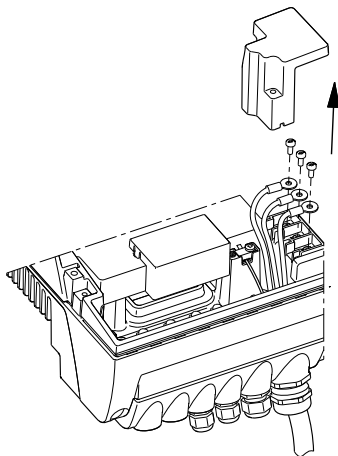


Fig. 27 Disconnecting the mains conductors

TM03 8607 2007

2. Disconnect the motor supply conductors, U/W1, V/U1, W/V1, from the terminal box.

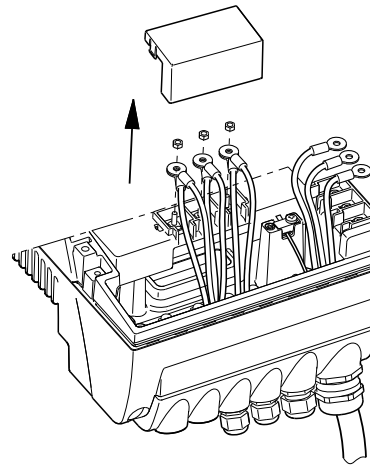


Fig. 28 Disconnecting the motor supply conductors

TM03 9120 3407

3. Connect the conductors as shown in fig. 29.

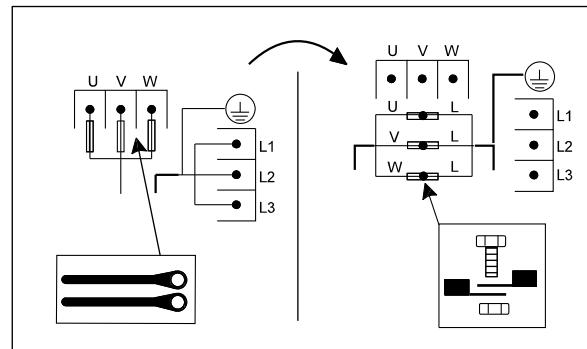


Fig. 29 How to switch an E-pump from normal operation to emergency operation

TM04 0018 4807

Use the screws from the mains terminals and the nuts from the motor terminals.

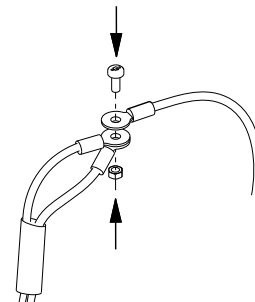


Fig. 30 Connecting the conductors

TM03 9121 3407

4. Insulate the three conductors from each other by means of insulating tape or the like.

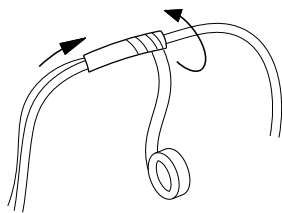


Fig. 31 Insulating the conductors

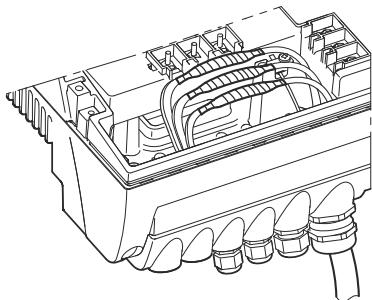


Fig. 32 Insulated conductors

Warning

Do not bypass the frequency converter by connecting the mains conductors to the U, V and W terminals.

This may cause hazardous situations for personnel as the high voltage potential of the mains may be transferred to touchable components in the terminal box.



Caution

Check the direction of rotation when starting up after switching to emergency operation.

19. Maintenance and service

19.1 Cleaning of the motor

Keep the motor cooling fins and fan blades clean to ensure sufficient cooling of the motor and electronics.

19.2 Relubrication of motor bearings

Pumps up to 10 Hp (7.5 kW)

The motor bearings are of the closed type and greased for life. The bearings cannot be relubricated.

Pumps of 15-30 Hp (11-22 kW)

The motor bearings are of the open type and must be relubricated regularly.

The motor bearings are pre-lubricated on delivery. The built-in bearing monitoring function will give a warning indication on the R100 when the motor bearings are due to be relubricated.

Note

Before relubrication, remove the bottom plug in the motor flange and the plug in the bearing cover to ensure that old and excess grease can escape.

Frame size	Quantity of grease [ml]	
	Drive end (DE)	Non-drive end (NDE)
MLE 160	13	13
MLE 180	15	15

When relubricating the first time, use the double quantity of grease as the lubricating channel is still empty.

The recommended grease type is a polycarbamide-based lubricating grease.

19.3 Replacement of motor bearings

Three-phase motors have built-in bearing monitoring function which will give a warning indication on the R100 when the motor bearings are due to be replaced.

19.4 Replacement of varistor [only 15-30 Hp (11-22 kW)]

The varistor protects the pump against mains voltage transients. If voltage transients occur, the varistor will be worn over time and need to be replaced. The more transients, the more quickly the varistor will be worn. When it is time to replace the varistor, R100 and PC Tool E-products will indicate this as a warning.

A Grundfos technician is required for replacement of the varistor. Contact your local Grundfos company for assistance.

19.5 Service parts and service kits

For further information on service parts and service kits, visit www.grundfos.com, select country, select WebCAPS.

TM03 9122 3407

TM03 9123 3407

20. Technical data - three-phase pumps up to 10 Hp (7.5 kW)

20.1 Supply voltage

3 x 460-480 V - 10 %/+ 10 %, 50/60 Hz - 2 %/+ 2 %, PE.

Cable: Max. 10 mm² / 8 AWG.

Use min. [158 °F (70 °C)] copper conductors only.

Recommended fuse sizes

Motor sizes from .75 to 7.5 Hp (0.55 to 5.5 kW): Max. 16 A.

Motor size 10 Hp (7.5 kW): Max. 32 A.

Standard as well as quick-blow or slow-blow fuses may be used.

20.2 Overload protection

The overload protection of the E-motor has the same characteristic as an ordinary motor protector. As an example, the E-motor can stand an overload of 110 % of I_{nom} for 1 min.

20.3 Leakage current

Motor size [Hp (kW)]	Leakage current [mA]
1-3 Hp (0.55 to 3.0) supply voltage < 460 V	< 3.5
1-3 Hp (0.55 to 3.0) supply voltage > 460 V	< 5
5 - 7.5 Hp (4.0 to 5.5)	< 5
10 Hp (7.5)	< 10

The leakage currents are measured in accordance with EN 61800-5-1.

20.4 Inputs/output

Start/stop

External potential-free switch.

Voltage: 5 VDC.

Current: < 5 mA.

Screened cable: 0.5 - 1.5 mm² / 28-16 AWG.

Digital

External potential-free switch.

Voltage: 5 VDC.

Current: < 5 mA.

Screened cable: 0.5 - 1.5 mm² / 28-16 AWG.

Setpoint signals

- Potentiometer
0-10 VDC, 10 k Ω (via internal voltage supply).
Screened cable: 0.5 - 1.5 mm² / 28-16 AWG.
Maximum cable length: 328 ft. (100 m).
- Voltage signal
0-10 VDC, $R_i > 50$ k Ω .
Tolerance: + 0 %/- 3 % at maximum voltage signal.
Screened cable: 0.5 - 1.5 mm² / 28-16 AWG.
Maximum cable length: 1640 ft. (500 m).
- Current signal
DC 0-20 mA/4-20 mA, $R_i = 175$ Ω .
Tolerance: + 0 %/- 3 % at maximum current signal.
Screened cable: 0.5 - 1.5 mm² / 28-16 AWG.
Maximum cable length: 1640 ft. (500 m).

Signal relay output

Potential-free changeover contact.

Maximum contact load: 250 VAC, 2 A, $\cos \varphi$ 0.3 - 1.

Minimum contact load: 5 VDC, 10 mA.

Screened cable: 0.5 - 2.5 mm² / 28-12 AWG.

Maximum cable length: 1640 ft. (500 m).

Bus input

Grundfos bus protocol, GENIbus protocol, RS-485.

Screened 3-core cable: 0.2 - 1.5 mm² / 28-16 AWG.

Maximum cable length: 1640 ft. (500 m).

21. Technical data - three-phase pumps, 15-30 Hp (11-22 kW)

21.1 Supply voltage

3 x 460-480 V - 10 %/+ 10 %, 50/60 Hz - 3 %/+ 3 %, PE.

Cable: Max. 10 mm² / 8 AWG

Use min. 158 °F (70 °C) copper conductors only.

Recommended fuse sizes

Motor size [Hp (kW)]		Max. [A]
2-pole	4-pole	
15 (11)	15 (11)	32
20 (15)	20 (15)	36
25 (18.5)	25 (18.5)	43
30 (22)	30 (22)	51

Standard as well as quick-blow or slow-blow fuses may be used.

21.2 Overload protection

The overload protection of the E-motor has the same characteristic as an ordinary motor protector. As an example, the E-motor can stand an overload of 110 % of I_{nom} for 1 min.

21.3 Leakage current

Earth leakage current > 10 mA.

The leakage currents are measured in accordance with EN 61800-5-1.

21.4 Inputs/output

Start/stop

External potential-free switch.

Voltage: 5 VDC.

Current: < 5 mA.

Screened cable: 0.5 - 1.5 mm² / 28-16 AWG.

Digital

External potential-free switch.

Voltage: 5 VDC.

Current: < 5 mA.

Screened cable: 0.5 - 1.5 mm² / 28-16 AWG.

Setpoint signals

- Potentiometer
0-10 VDC, 10 kΩ (via internal voltage supply).
Screened cable: 0.5 - 1.5 mm² / 28-16 AWG.
Maximum cable length: 328 ft. (100 m).
- Voltage signal
0-10 VDC, R_i > 50 kΩ.
Tolerance: + 0 %/- 3 % at maximum voltage signal.
Screened cable: 0.5 - 1.5 mm² / 28-16 AWG.
Maximum cable length: 1640 ft. (500 m).
- Current signal
DC 0-20 mA/4-20 mA, R_i = 250 Ω.
Tolerance: + 0 %/- 3 % at maximum current signal.
Screened cable: 0.5 - 1.5 mm² / 28-16 AWG.
Maximum cable length: 1640 ft. (500 m).

Signal relay output

Potential-free changeover contact.

Maximum contact load: 250 VAC, 2 A, cos φ 0.3 - 1.

Minimum contact load: 5 VDC, 10 mA.

Screened cable: 0.5 - 2.5 mm² / 28-12 AWG.

Maximum cable length: 1640 ft. (500 m).

Bus input

Grundfos bus protocol, GENIbus protocol, RS-485.

Screened 3-core cable: 0.2 - 1.5 mm² / 28-16 AWG.

Maximum cable length: 1640 ft. (500 m).

22. Other technical data

EMC (electromagnetic compatibility to EN 61800-3)

Motor [Hp (kW)]		Emission/immunity
2-pole	4-pole	
-	0.16 (0.12)	Emission: Motors may be installed in residential areas (first environment), unrestricted distribution, corresponding to CISPR11, group 1, class B.
0.13 (0.17)	0.24 (0.18)	
0.33 (0.25)	0.33 (0.25)	
0.50 (0.37)	0.50 (0.37)	
0.73 (0.55)	0.73 (0.55)	
1 (0.75)	1 (0.75)	
1.47 (1.1)	1.47 (1.1)	
2 (1.5)	2 (1.5)	
3 (2.2)	3 (2.2)	
4 (3.0)	4 (3.0)	
5 (4.0)	5 (4.0)	Immunity: Motors fulfil the requirements for both the first and second environment.
7.5 (5.5)	-	
10 (7.5)	-	

Motor [Hp (kW)]		Emission/immunity
2-pole	4-pole	
-	7.5 (5.5)	Emission: The motors are category C3, corresponding to CISPR11, group 2, class A, and may be installed in industrial areas (second environment). If equipped with an external Grundfos EMC filter, the motors are category C2, corresponding to CISPR11, group 1, class A, and may be installed in residential areas (first environment).
-	10 (7.5)	
15 (11)	15 (11)	
20 (15)	20 (15)	
25 (18.5)	25 (18.5)	
30 (22)	-	

Warning

When the motors are installed in residential areas, supplementary measures may be required as the motors may cause radio interference.



Motor sizes 15-30 Hp (11, 18.5 and 22 kW) comply with EN 61000-3-12 provided that the short-circuit power at the interface point between the user's electrical installation and the public power supply network is greater than or equal to the values stated below.

It is the responsibility of the installer or user to ensure, by consultation with the power supply network operator, if necessary, that the motor is connected to a power supply with a short-circuit power greater than or equal to these values:

Motor size [Hp (kW)]	Short-circuit power [kVA]
15 (11)	1500
20 (15)	-
25 (18.5)	2700
30 (22)	3000

Note

20 Hp (15 kW) motors do not comply with EN 61000-3-12.

By installing an appropriate harmonic filter between the motor and the power supply, the harmonic current content will be reduced. In this way the 20 Hp 20 Hp (15 kW) motor will comply with EN 61000-3-12.

Immunity:

The motors fulfil the requirements for both the first and second environment.

Contact Grundfos for further information.

Enclosure class

- Three-phase pumps, 0.75-10 Hp (0.55 - 7.5 kW): IP55 (IEC 34-5).
- Three-phase pumps, 15-30 Hp (11-22 kW): IP55 (IEC 34-5).

Insulation class

F (IEC 85).

Ambient temperature

During operation:

- 14 °F (-10 °C)
- Max. 104 °F (+40 °C), without derating

During storage/transport:

- -22 °F to +140 °F (-30 °C to +60 °C) up to 10 HP (7.5 kW)
- -13 °F to 158 °F (25 °C to +70 °C), 15 -30 Hp (11-22 kW)

Relative air humidity

Maximum 95 %.

Sound pressure level**Single-phase pumps:**

< 70 dB(A).

Three-phase pumps:

Motor [Hp (kW)]	Speed stated on nameplate [min ⁻¹]	Sound pressure level [dB(A)]
	2-pole	
1.5 (1.1)		49
		53
	2800-3000 3400-3600	60 65
2 (1.5)		53
		57
	2800-3000 3400-3600	65 70
3 (2.2)		50
		52
	2800-3000 3400-3600	65 70
5 (4.0)		58
		63
	2800-3000 3400-3600	70 75
7.5 (5.5)		57
		59
	2800-3000 3400-3600	75 80
10 (7.5)		59
		61
	2800-3000 3400-3600	67 72
15 (11)		63
		64
	2800-3000 3400-3600	64 68
20 (15)		65
		66
	2800-3000 3400-3600	65 68

Motor [Hp (kW)]	Speed stated on nameplate [min ⁻¹]	Sound pressure level [dB(A)]
	2-pole	
25 (18.5)		69
		72
	2800-3000 3400-3600	69 70
30 (22)		-
		-
	2800-3000 3400-3600	67 70

23. Disposal

This product or parts of it must be disposed of in an environmentally sound way:

1. Use the public or private waste collection service.
2. If this is not possible, contact the nearest Grundfos company or service workshop.

Subject to alterations.

Appendix

1. Installation in the USA and Canada

Note

In order to maintain the UL/cURus approval, follow these additional installation instructions. The UL approval is according to UL508C.

1.1 Electrical connection

1.1.1 Conductors

Use 140/167 °F (60/75 °C) copper conductors only.

1.1.2 Torques

Power terminals

Motor size [kW]	Thread size	Torque [Nm]
Up to 10 Hp	M4	2.35
15-30 Hp	M4	Min. 2.2 Max. 2.8

Relay, M2.5: 0.5 Nm.

Input control, M2: 0.2 Nm.

1.1.3 Line reactors

Max line reactor size must not exceed 2 mH.

1.1.4 Fuse size/circuit breaker

If a short circuit happens the pump can be used on a mains supply delivering not more than 5000 RMS symmetrical amperes, 600 V maximum.

Fuses

When the pump is protected by fuses they must be rated for 480 V. Maximum sizes are stated in table below.

Motors up to and including 7.5 kW require class K5 UL-listed fuses. Any UL-listed fuse can be used for motors from 11 to 22 kW.

Circuit breaker

When the pump is protected by a circuit breaker this must be rated for a maximum voltage of 480 V. The circuit breaker must be of the "Inverse time" type.

The interrupting rating (RMS symmetrical amperes) must not be less than the values stated in table below.

USA - Hp

2-pole	4-pole	Fuse size	Circuit breaker type / model
1	1	25 A	25 A / Inverse time
1.5	1.5	25 A	25 A / Inverse time
2	2	25 A	25 A / Inverse time
3	3	25 A	25 A / Inverse time
5	5	40 A	40 A / Inverse time
7.5	-	40 A	40 A / Inverse time
10	7.5	50 A	50 A / Inverse time
15	15	80 A	80 A / Inverse time
20	20	110 A	110 A / Inverse time
25	25	125 A	125 A / Inverse time
30	-	150 A	150 A / Inverse time

1.1.5 Overload protection

Degree of overload protection provided internally by the drive, in percent of full-load current: 102 %.

1.2 General considerations

For installation in humid environment and fluctuating temperatures, it is recommended to keep the pump connected to the power supply continuously. This will prevent moisture and condensation build-up in the terminal box.

Start and stop must be done via the start/stop digital input (terminal 2-3).

Subject to alterations.

GRUNDFOS Kansas City

17100 West 118th Terrace
Olathe, Kansas 66061
Phone: (913) 227-3400
Fax: (913) 227-3500

www.grundfos.us

GRUNDFOS Canada

2941 Brighton Road
Oakville, Ontario L6H 6C9 Canada
Phone: +1-905 829 9533
Telefax: +1-905 829 9512

www.grundfos.ca

GRUNDFOS México

Boulevard TLC No. 15
Parque Industrial Stiva Aeropuerto
C.P. 66600 Apodaca, N.L. México
Phone: 011-52-81-8144 4000
Fax: 011-52-81-8144 4010

www.grundfos.mx

98864399 0615
ECM: 1153148

© Copyright Grundfos Holding A/S

The name Grundfos, the Grundfos logo, and be think innovate are registered trademarks owned by Grundfos Holding A/S or Grundfos A/S, Denmark. All rights reserved worldwide.