

CRT, CRTE

Vertical multistage centrifugal pumps in titanium
60 Hz



1. Product data	3	13. Variants	53
Introduction	3	Lists of variants - on request	53
Applications	3		
Features and benefits	4	14. Quotation text	55
Ambient temperature	8		
Installation altitude	8	15. Grundfos Product Center	56
Performance range	9	Grundfos GO	57
Product range	10		
2. MLE technical data	11		
MLE permanent-magnet motors 1/2 to 2 HP	11		
MLE permanent-magnet motors 1 to 15 HP	12		
MLE permanent-magnet motors 1 1/2 to 7 1/2 HP	13		
MLE asynchronous motors 20 to 30 HP	14		
MLE motors for CRTE	15		
3. Control of E-pumps	16		
E-pumps in the service of industry	16		
E-pumps in commercial building services	16		
Control options	17		
Control modes for E-pumps	18		
4. Advanced use of MLE motors	20		
Bearing monitoring	20		
Standstill heating	20		
Outdoor installation	21		
Stop function	21		
Temperature sensors 1 and 2	22		
Signal relays	23		
Analog sensor inputs 1 and 2	23		
Limit exceeded 1 and 2	24		
5. Application examples of differential pressure in a circulation system²⁸			
Proportional differential pressure, parabolic curve	29		
Constant differential pressure setpoint range	29		
Proportional differential pressure setpoint range	29		
6. Construction	30		
7. Identification	31		
Type key	31		
8. Operation	32		
Operating conditions	32		
9. Selection and sizing	33		
Selection of pumps	33		
10. Performance curves and technical data	38		
11. Electrical data	46		
12. Accessories	50		
Remote controls	50		
CIU communication interface units	51		
CIM communication interface modules	51		

1. Product data

Introduction

The CRT and CRTE pumps are non-self-priming, vertical multistage centrifugal pumps. The pumps are available with Grundfos standard motors (CRT pumps) or frequency-controlled motors (CRTE pumps). Reliable and cost efficient CRT and CRTE pumps handle a variety of liquids from sea water to sodium hypochlorite. In CRT and CRTE pumps, all components in contact with the pumped liquid are constructed of titanium.

Excellent corrosion resistance

Titanium is widely used for many industrial applications due to its high resistance to corrosion.

Titanium is unaffected by corrosive attacks by salt water or marine atmospheres. It also has exceptional resistance to a wide range of acids, alkalies, natural water and industrial chemicals.

The corrosion resistance of titanium is due to a stable, protective and strongly adherent oxide film that forms instantly on the metal when a fresh surface is exposed to air or moisture.



GR7369

Fig. 1 CRT pumps

Applications

Reliable and cost-efficient, CRT and CRTE pumps handle a variety of liquids from sea water to sodium hypochlorite.

CRT and CRTE pumps are suitable for these types of applications:

Marine environment

- Ballast pumps
- washing/cleaning.

Pulp and paper industries

- Bleaching solutions

Offshore industries and refineries

- Fire fighting
- cooling
- metal-finishing industries (electroplating)
- copper chloride etching
- ammonium chloride etching.

Power generation plants

- FGD (Flue Gas Desulphurization)

Food processing, brewing and pharmaceutical industries

- CIP (Clean In Place)
- disinfection.

Desalination industries

- Reverse osmosis
- distillation.

Chemical processing industries

- Chlorine and chlorates
- organic acids
- oxidizing acids (nitric acid, chromic acid)
- chloride-containing salts (ferric chloride)
- inhibited reducing acids.

Other

- Fish farming
- aquariums
- water parks.

Features and benefits

Pump

The pump consists of a base and a pump head. Staybolts secure the chamber stack and sleeve between the pump head and base. The base has inlet and outlet ports on the same level (in-line).




All pumps are equipped with a maintenance-free mechanical shaft seal.

Motor

CRT pumps are supplied with WEG motors as standard. Grundfos ML motors (1/3 to 30 HP, TEFC three-phase) are available on request.

CRT pumps are fitted with a Grundfos specified motor. The motors are all heavy-duty 2-pole, NEMA C-face motors.

Electrical data

Mounting designation	NEMA
Insulation class	F
Efficiency	Premium efficiency - EISA compliant
Enclosure	IP55
	TEFC - Totally Enclosed Fan Cooled (Grundfos standard)
	ODP - Open Drip Proof (on request)
60 Hz standard voltages	1 x 115/208-230 V
	3 x 208-230/460 V
	3 x 575 V
Number of poles	2
Approvals, WEG	 
Approvals, Grundfos ML	

WEG motors 0.25 to 20 HP

- rolled steel construction
- service factor 1.15
- suitable for VFD operation per NEMA MG 1 part 31.4.4.2
- certified Class I Division 2, Groups A, B, C, D
- certified Class II, Division 2, Groups F, G (three phase only).

WEG motors 25 to 300 HP

- cast iron frame
- rated for severe duty
- service factor 1.25 (25 to 100 HP)
- service factor 1.15 (125 to 300 HP)
- Inverter rated per NEMA MG 1 part 31
- certified Class I Division 2, Groups A, B, C, D
- certified Class II, Division 2, Groups F, G (three phase only).

Grundfos E-motors

We also offer frequency-controlled CRTE pumps which are the ideal choice for a number of applications characterized by a demand for variable flow at constant pressure. These pumps are suited for water supply systems and pressure boosting as well as for industrial applications. Depending on the application, the pumps offer energy savings, increased comfort and improved processing.

MLE frequency-controlled motors

CRTE pumps are fitted with totally enclosed, fan-cooled, 2-pole MLE frequency-controlled motors.

Permanent- magnet motors

From 1/2 HP to 2 HP Grundfos offers CRTE pumps fitted with single-phase MLE motors (1 x 200-240 V). From 1 1/2 to 7 1/2 HP Grundfos offers CRTE pumps fitted with three-phase MLE motors (3 x 200-240 V). From 1 HP to 15 HP Grundfos offers CRTE pumps fitted with three-phase MLE motors (3 x 440-480 V).

Asynchronous motors

From 20 HP to 30 HP Grundfos offers CRTE pumps fitted with three-phase MLE motors (3 x 460-480 V).

Optional motors

The Grundfos standard range of motors covers a wide variety of application demands. However, for special applications or operating conditions, custom-built motor solutions can be provided.

For special applications or operating conditions, Grundfos offers custom-built motors such as:

- explosion- proof motors
- motors with anti-condensation heating units
- low-noise motors
- premium efficiency motors
- motors with thermal protection.

Motor protection

Single-phase Grundfos specified motors up to 7 1/2 HP have a built-in thermal overload switch.

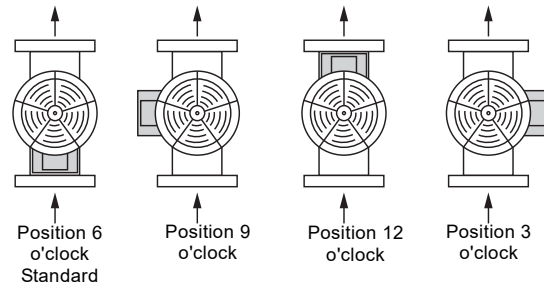
Three-phase motors must be connected to a motor-protective circuit breaker in accordance with local regulations.

Three-phase Grundfos ML motors 5 HP and larger have a built-in thermistor (PTC) according to DIN 44082 (TP 211 according to IEC 34-11).

Single- and three-phase MLE motors have built-in thermal protection.

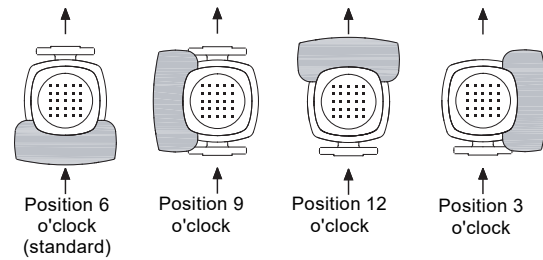
Terminal box positions

As standard the terminal box is mounted on the inlet side of the pump.



TM02 1805 2001

Fig. 2 CRT terminal box positions



TM03 3658 0606

Fig. 3 CRTE terminal box positions

Viscosity

The pumping of liquids with densities or kinematic viscosities higher than those of water will cause a considerable pressure drop, a drop in the hydraulic performance and a rise in the power consumption.

In such situations, fit the pump with a larger motor. If in doubt, contact Grundfos.

MLE 1/2 to 15 HP permanent-magnet motors

Supply voltage:

1/2 to 2 HP (1 x 200-240 V)

1 1/2 to 7 1/2 HP (3 x 200-240 V)

1 to 15 HP (3 x 440-480 V)

Advanced functional module (FM 300)

The FM 300 is the standard functional module in all MLE motors 1/2 to 15 HP.

The module has a number of inputs and outputs enabling the motor to be used in advanced applications where many inputs and outputs are required.

The FM 300 has these connections:

- three analog inputs
- one analog output
- two dedicated digital inputs
- two configurable digital inputs or open-collector outputs
- Grundfos Digital Sensor input and output
- two Pt100/1000 inputs
- two LiqTec sensor inputs
- two signal relay outputs
- GENIbus connection.

Connection terminals

CRTE pumps have a number of inputs and outputs enabling the pumps to be used in advanced applications where many inputs and outputs are required.

Functional module 300 has been selected as standard for CRTE pumps. See fig. 4.

As a precaution, the wires to be connected to the following connection groups must be separated from each other by reinforced insulation in their entire lengths.

Inputs and outputs

- Start/stop (digital input 1) (terminals 2 and 6)
- pressure sensor (analog input 1) (terminals 4 and 8)
- pressure switch (digital input 3) (terminals 10 and 6)
- external analog signal input (analog input 2) (terminals 7 and 23)
- GENIbus (terminals A, Y and B).

All inputs and outputs are internally separated from the power-conducting parts by reinforced insulation and galvanically separated from other circuits.

All control terminals are supplied by protective extra-low voltage (PELV), thus ensuring protection against electric shock.

Signal relay outputs

- Signal relay 1:

LIVE:

Power supply voltages up to 250 VAC can be connected to this output.

PELV:

The output is galvanically separated from other circuits. Therefore, the supply voltage or protective extra-low voltage can be connected to the output as desired.

- Signal relay 2:

PELV:

The output is galvanically separated from other circuits. Therefore, the supply voltage or protective extra-low voltage can be connected to the output as desired.

Power supply (terminals N, PE, L or L1, L2, L3, PE)

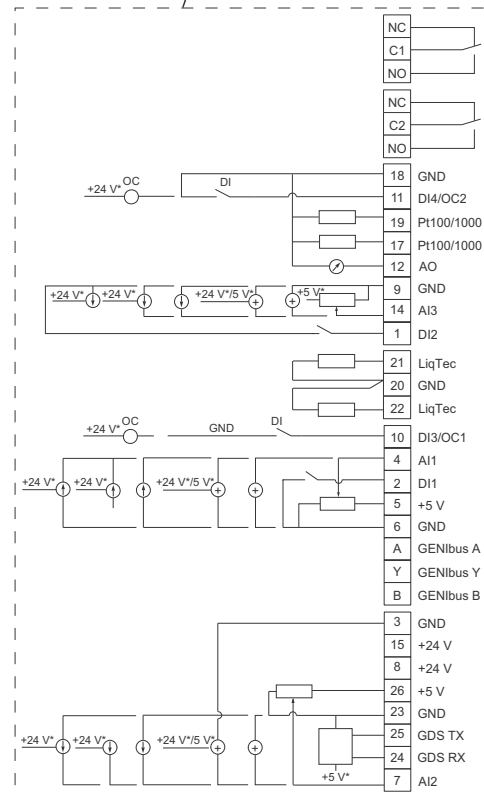
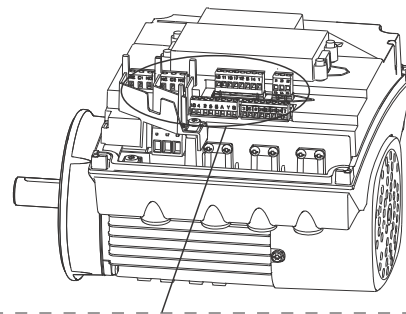


Fig. 4 Connection terminals, FM 300 functional module

TM05 3509 3512

MLE 20 to 30 HP asynchronous motors

Supply voltage:

20 to 30 HP (3 x 460-480 V)

Advanced I/O module

The advanced I/O module is the standard functional module in these MLE motors.

The module has a number of inputs and outputs enabling the motor to be used in advanced applications where many inputs and outputs are required.

The advanced I/O module has these connections:

- start/stop terminals
- three digital inputs
- one setpoint input
- one sensor input (feedback sensor)
- one sensor 2 input
- one analog output
- two Pt100 inputs
- two signal relay outputs
- GENIbus connection.

Connection terminals

As a precaution, the wires to be connected to the following connection groups must be separated from each other by reinforced insulation in their entire lengths.

Inputs and outputs

- Start/stop (terminals 2 and 3)
- digital inputs (terminals 1 and 9, 10 and 9, 11 and 9)
- sensor input 2 (terminals 14 and 15)
- Pt100 sensor inputs (terminals 17, 18, 19 and 20)
- setpoint input (terminals 4, 5 and 6)
- sensor input (terminals 7 and 8)
- GENIbus (terminals B, Y and A).

All inputs are internally separated from the power-conducting parts by reinforced insulation and galvanically separated from other circuits.

All control terminals are supplied with protective extra-low voltage (PELV), thus ensuring protection against electric shock.

Output (relay signal, terminals NC, C, NO)

The output is galvanically separated from other circuits.

Therefore, the supply voltage or protective extra-low voltage can be connected to the output as desired.

- Analog output (terminal 12 and 13).

Power supply (terminals L1, L2, L3)

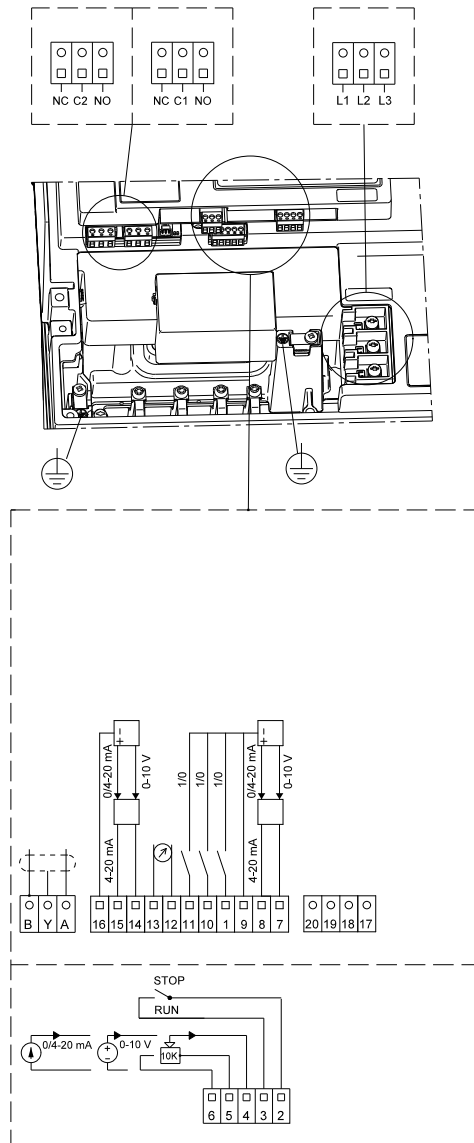


Fig. 5 Connection terminals, Advanced I/O module

TM05 7035 0313

Ambient temperature

MLE motor power [HP]	Motor make	Voltage [V]	Max. ambient temp. [°F (°C)]	Max. altitude above sea level [ft (m)]
1/2 to 2	MLE	1 x 200-240	122 (50)	
1 to 15	MLE	3 x 440-480	122 (50)	3280 (1000)
1 1/2 to 7 1/2	MLE	3 x 200-240	104 (40)	
20 to 30	MLE	3 x 460-480	104 (40)	

If the ambient temperature exceeds the above maximum ambient temperatures or the pump is installed at an altitude exceeding 3280 ft (1000 m), the motor must not be fully loaded due to the risk of overheating. Overheating may result from excessive ambient temperatures or high altitudes.

In such cases, it may be necessary to use a motor with a higher rated output.

Installation altitude

Installation altitude is the height above sea level of the installation site. Motors installed up to 3280 ft (1000 m) above sea level can be loaded 100 %.

Motors installed more than 3280 ft (1000 m) above sea level must not be fully loaded due to the low density and consequently low cooling effect of the air.

MLE permanent-magnet motors

1/2 to 2 HP (1 x 200-240 V)

1 1/2 to 7 1/2 HP (3 x 200-240 V)

1 to 15 HP (3 x 440-480 V)

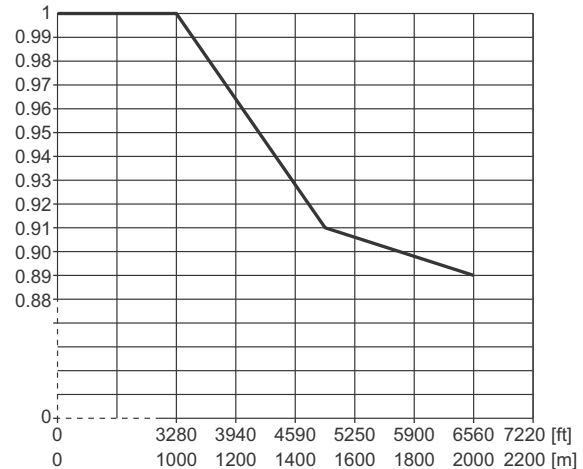


Fig. 6 Derating of motor output (P2) in relation to altitude above sea level

MLE asynchronous motors

20 to 30 HP (3 x 460-480 V)

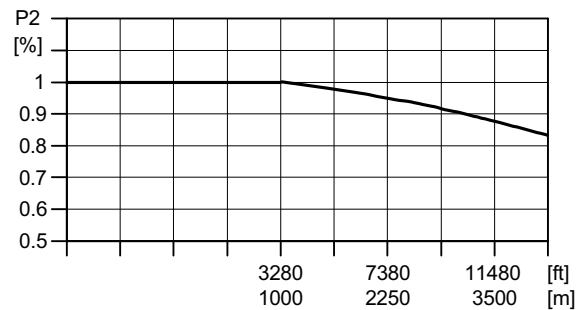
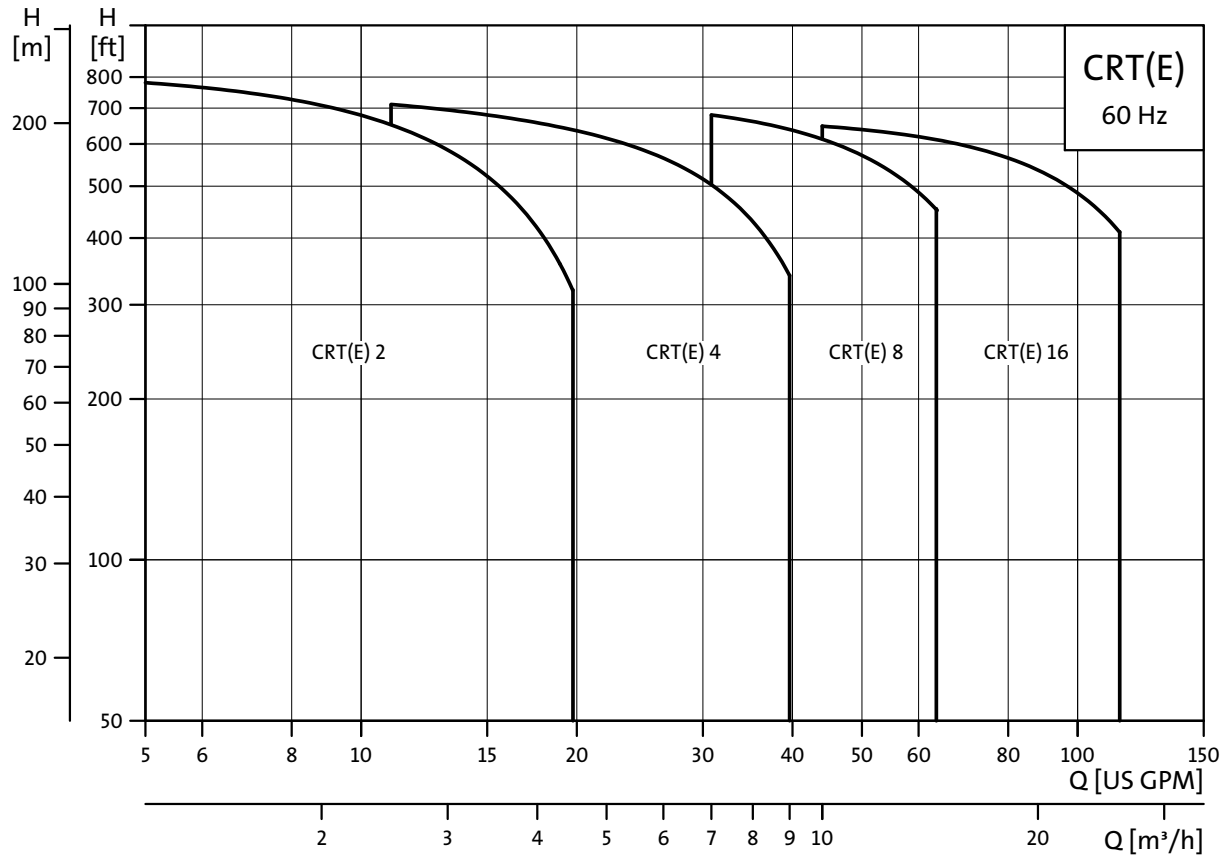


Fig. 7 Derating of motor output (P2) in relation to altitude above sea level

Performance range

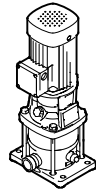
CRT, CRTE



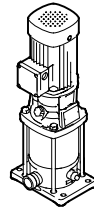
TM02 8328 4903

Product range

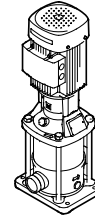
CRT, CRTE



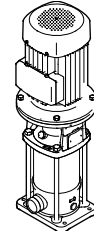
TM02 7184 2703



TM02 7331 3203



TM02 7185 2703



TM02 7195 2803

Description	CRT(E) 2	CRT(E) 4	CRT(E) 8	CRT(E) 16
Range				
Nominal flow rate [US gpm (m ³ h)]	13 (2.9)	30 (6.8)	50 (11.3)	80 (18.1)
Max. operating pressure [psi (bar)]	362 (25)	362 (25)	362 (25)	362 (25)
Temperature range [°F (°C)]	-4 to +248 (-20 to +120)	-4 to +248 (-20 to +120)	-4 to +248 (-20 to +120)	-4 to +248 (-20 to +120)
Maximum efficiency [%]	48	59	64	70
Flow range [US gpm (m ³ h)]	1.3 to 20 (0.3 to 4.5)	3 to 40 (0.7 to 9.0)	5 to 64 (1.1 to 14.5)	8 to 114 (1.8 to 25.9)
Motor power range [HP]	1/2 to 5	1/2 to 7 1/2	3/4 to 15	5 to 25
Pipe connection				
PJE (victaulic type) coupling	1.25"	1.25"	2"	2"
ANSI flange adapter - on request	-	-	2"	2"

2. MLE technical data

Grundfos MLE motors are equipped with NEMA standard C-face flanges.

Grundfos MLE motors are recognized under the Component Recognition Program of Underwriters Laboratories Inc. for the United States and Canada.

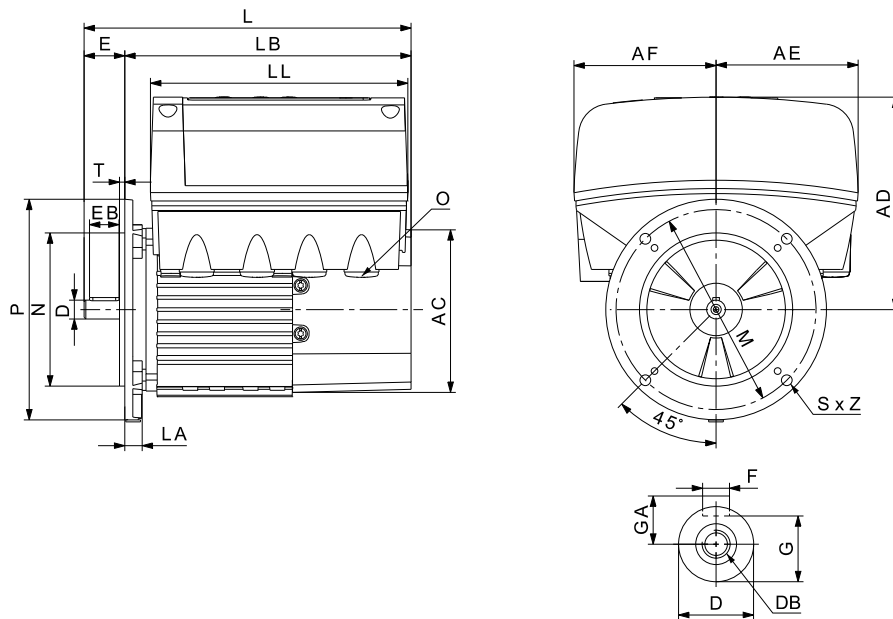
MLE motors are equipped with a reinforced bearing system with locked bearings at the drive end, either a deep-groove ball bearing or an angular-contact bearing depending on the motor model.

This ensures an even uptake of the load in order to maximize the lifetime of the bearings, which are guaranteed for a minimum of 18,000 hours service life. At the non-drive end, the motors are fitted with bearings with axial clearance in order to meet production tolerances while allowing for thermal expansion during motor operation. This ensures trouble-free operation and long life.

See MLE motor data with dimensions on pages 11-14. See electrical data for MLE motors on page 49.

MLE permanent-magnet motors 1/2 to 2 HP

(2-pole) single-phase, 60 Hz, 200-240 V



TM05 6786 5012

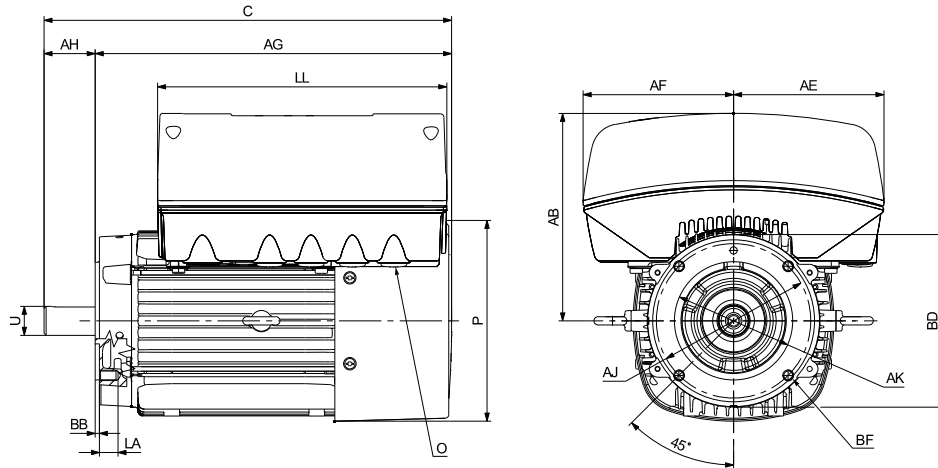
2-pole dimensional data

Power [HP]	NEMA frame	Stator housing [inches (mm)]							Shaft end [inches (mm)]	
		AC	AD	AF	L	LB	LL	D	E	
1/2	56C									
3/4		4.80	6.22	4.17	10.55	8.46	7.56	0.63	2.06(52.3)	
1		(122)	(158)	(106)	(268)	(215)	(192)	(15.9)		
1 1/2										
2		4.80	6.22	4.17	11.34	9.25	7.56	0.63	2.06	
		(122)	(158)	(106)	(288)	(235)	(192)	(15.9)	(52.3)	

Power [HP]	NEMA Frame	Flange [inches (mm)]					Cable entries [mm]	
		LA	M	N	P	S	T	O
1/2	56C							
3/4		0.63	5.87	4.50	6.50	3/8"	0.16	1/2" NPT (4)
1		(16)	(149.2)	(114.3)	(165)		(4)	
1 1/2								
2		1.42	5.87	4.50	6.50	3/8"	0.16	1/2" NPT (4)
		(36)	(149.2)	(114.3)	(165)		(4)	

MLE permanent-magnet motors 1 to 15 HP

(2-pole) three-phase, 60 Hz, 440-480 V



TM06 6518 3316

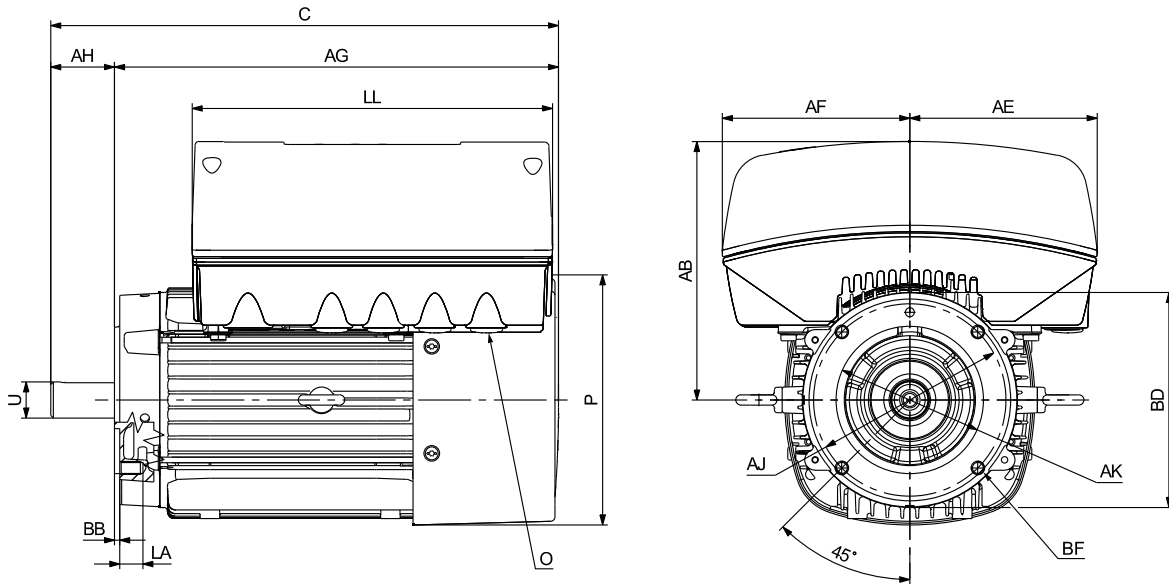
Dimensional data

Power [HP]	NEMA frame	Stator housing [inches (mm)]							Shaft end [inches (mm)]	
		P	AB	AE	AF	C	AG	LL	U	AH
1	56C	4.80 (122)	6.22 (158)	5.28 (134)	5.28 (134)	12.13 (308)	10.04 (255)	9.13 (232)	0.63 (15.9)	2.06 (52.3)
1 1/2		4.80 (122)	6.22 (158)	5.28 (134)	5.28 (134)	12.13 (308)	10.04 (255)	9.13 (232)	0.63 (15.9)	2.06 (52.3)
2		4.80 (122)	6.22 (158)	5.28 (134)	5.28 (134)	12.91 (328)	10.83 (275)	9.13 (232)	0.63 (15.9)	2.06 (52.3)
3	182TC	4.80 (122)	6.22 (158)	5.28 (134)	5.28 (134)	13.46 (342)	10.83 (275)	9.13 (232)	1.13 (28.6)	2.62 (66.6)
5		7.53 (191.3)	7.91 (201)	5.73 (145.5)	5.73 (145.5)	15.89 (403.6)	13.15 (334)	11.02 (280)	1.13 (28.6)	2.74 (69.6)
7 1/2	213TC	7.53 (191.3)	7.91 (201)	5.73 (145.5)	5.73 (145.5)	17.75 (450.9)	14.37 (365)	11.02 (280)	1.37 (34.9)	3.38 (85.9)
10		10.04 (254.9)	9.33 (237)	6.81 (173)	6.81 (173)	18.70 (474.9)	15.31 (389)	12.48 (317)	1.37 (34.9)	3.38 (85.9)
15		10.04 (254.9)	9.33 (237)	6.81 (173)	6.81 (173)	19.74 (501.3)	15.98 (406)	12.48 (317)	1.63 (41.3)	3.75 (95.3)

Power [HP]	NEMA frame	Flange [inches (mm)]						Cable entries [mm]
		LA	AJ	AK	BD	BF	BB	O
1	56C	0.63 (16)	5.87 (149.2)	4.50 (114.3)	6.50 (165)	3/8"	0.16 (4)	1/2" NPT (4)
1 1/2		0.63 (16)	5.87 (149.2)	4.50 (114.3)	6.50 (165)	3/8"	0.16 (4)	1/2" NPT (4)
2		1.42 (36)	5.87 (149.2)	4.50 (114.3)	6.50 (165)	3/8"	0.16 (4)	1/2" NPT (4)
3	182TC	0.51 (13)	7.25 (184.2)	-	8.50 (215.9)	1/2"	-	1/2" NPT (4)
5		0.75 (19)	7.25 (184.5)	8.50 (215.9)	8.50 (215.9)	1/2" - 13	0.25 (6.35)	1/2" NPT (5)
7 1/2	213TC	0.75 (19)	7.25 (184.15)	8.50 (215.9)	8.50 (215.9)	1/2" - 13	0.25 (6.35)	1/2" NPT (5)
10		0.79 (20)	7.25 (184.15)	8.50 (215.9)	8.68 (220.5)	1/2" - 13	0.25 (6.35)	3/4" NPT (1) & 1/2" NPT (5)
15		0.79 (20)	7.25 (184.15)	8.50 (215.9)	8.68 (220.5)	1/2" - 13	0.25 (6.35)	3/4" NPT (1) & 1/2" NPT (5)

MLE permanent-magnet motors 1 1/2 to 7 1/2 HP

1 1/2 to 7 1/2 HP (2-pole) three-phase, 60 Hz, 200-240 V



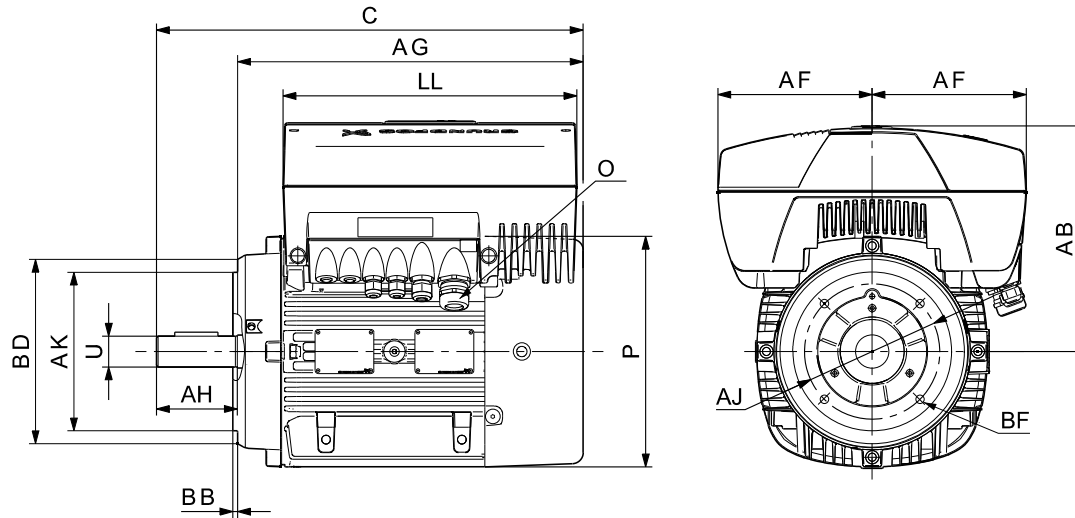
Dimensional data

Power [HP]	NEMA frame	Stator housing [inches (mm)]							Shaft end [inches (mm)]	
		P	AB	AE	AF	C	AG	LL	U	AH
1 1/2	56C	4.80 (122)	6.22 (158)	5.28 (134)	5.28 (134)	12.13 (308)	10.04 (255)	9.13 (232)	0.63 (15.9)	2.06 (52.3)
2		7.53 (191.3)	7.91 (201)	5.73 (145.5)	5.73 (145.5)	15.89 (408)	13.15 (334)	11.02 (280)	1.13 (28.6)	2.74 (69.6)
3	182TC	7.53 (191.3)	7.91 (201)	5.73 (145.5)	5.73 (145.5)	15.89 (464)	13.15 (334)	11.02 (280)	1.13 (28.6)	2.74 (69.6)
5		10.04 (254.9)	9.33 (237)	6.81 (173)	6.81 (173)	18.70 (476)	15.31 (389)	12.48 (317)	1.37 (34.9)	3.38 (85.9)
7 1/2	213TC									

Power [HP]	NEMA frame	Flange [inches (mm)]						Cable entries [mm]
		LA	AJ	AK	BD	BF	BB	O
1 1/2	56C	0.63 (16)	5.87 (149.2)	4.5 (114.3)	6.50 (165)	3/8 "	0.16 (4)	1/2" NPT (4)
2		0.75 (19)	7.25 (184.15)	8.50 (215.9)	8.50 (215.9)	1/2"-13	0.25 (6.35)	1/2" NPT (5)
3	182TC	0.75 (19)	7.25 (184.15)	8.50 (215.9)	8.50 (215.9)	1/2"-13	0.25 (6.35)	1/2" NPT (5)
5		0.79 (20)	7.25 (184.15)	8.50 (215.9)	8.68 (220.5)	1/2"-13	0.25 (6.35)	3/4" NPT (1) & 1/2" NPT (5)
7 1/2	213TC							

MLE asynchronous motors 20 to 30 HP

(2-pole) three-phase, 60 Hz, 460-480 V



TM04 5498 3309

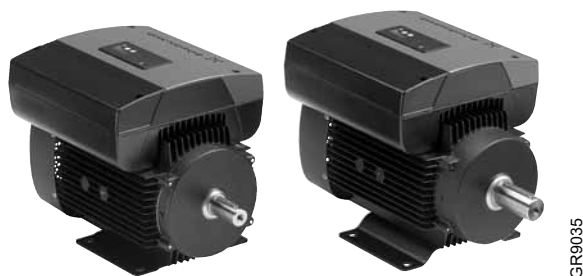
Dimensional data

Power [HP]	Nema frame	Stator housing [inches (mm)]					Shaft end [inches]			
		P	AB	AF	AF	C	AG	LL	U	AH
20	256TC	13.39 (340)	12.13 (308)	8.27 (210)	8.27 (210)	22.56 (573)	18.78 (477)	15.75 (400)	1.62 (41)	3.75 (95)
25	284TC	13.39 (340)	12.13 (308)	8.27 (210)	8.27 (210)	24.53 (623)	22.72 (577)	15.75 (400)	1.62 (41)	3.75 (95)
30	286TC	13.39 (340)	12.13 (308)	8.27 (210)	8.27 (210)	24.53 (623)	22.72 (577)	15.75 (400)	1.62 (41)	3.75 (95)

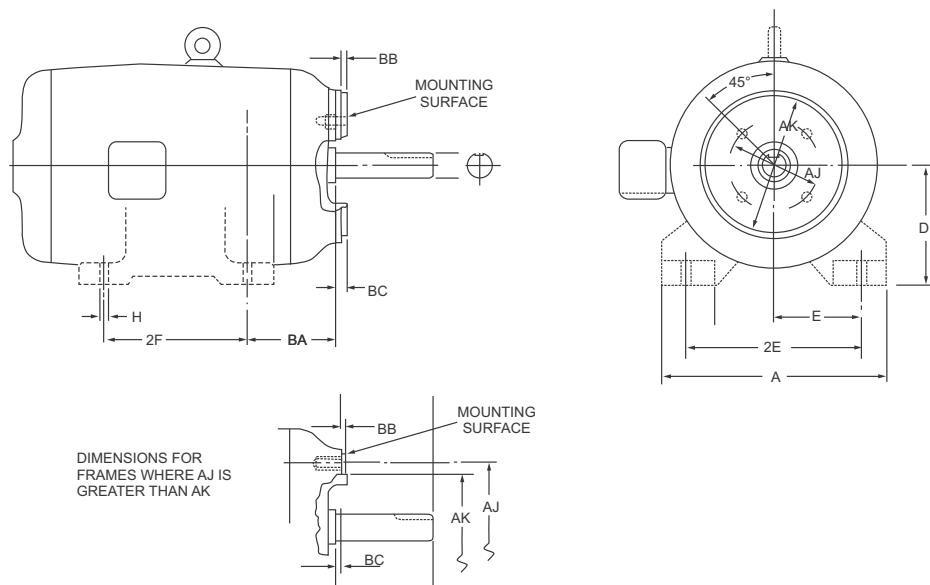
Power [HP]	Nema frame	Flange [inches (mm)]					Cable entries [mm]
		AJ	AK	BD	BF	BB	O
20	256TC	7.25 (184)	8.50 (216)	9.88 (251)	1/2"	0.26 (7)	1 x M40 + 1 x M20 + 2 x M16 + 2 x knock out M16
25	284TC	9.00 (229)	10.50 (267)	10.75 (273)	1/2"	0.32 (8)	1 x M40 + 1 x M20 + 2 x M16 + 2 x knock out M16
30	286TC	9.00 (229)	10.50 (267)	10.75 (273)	1/2"	0.32 (8)	1 x M40 + 1 x M20 + 2 x M16 + 2 x knock out M16

MLE motors for CRTE

(C-Face mounting with foot)



Dimensional sketch



TM05 3012 0812

Dimensional data

Power [HP]	Phase	NEMA frame size	Foot dimensions [inches]							
			A	D	E	2E	2F	BA + BC	H	
Single-phase, 2-pole MLE motor with foot										
1/2	1	56C	6.00	3.50	2.44	4.88	3.00	2.56	0.34	
3/4	1	56C	6.00	3.50	2.44	4.88	3.00	2.56	0.34	
1	1	56C	6.00	3.50	2.44	4.88	3.00	2.56	0.34	
1 1/2	1	56C	6.00	3.50	2.44	4.88	3.00	2.56	0.34	
2	1	56C	6.00	3.50	2.44	4.88	3.00	2.56	0.34	
Three-phase, 2-pole MLE motor with foot										
1	3	56C	6.00	3.50	2.44	4.88	3.00	2.56	0.34	
1 1/2	3	56C	6.00	3.50	2.44	4.88	3.00	2.56	0.34	
2	3	56C	6.00	3.50	2.44	4.88	3.00	2.56	0.34	
3	3	182TC	8.90	4.50	3.75	7.50	4.50	2.87	0.41	
5	3	184TC	8.90	4.50	3.75	7.50	5.50	2.87	0.41	
7 1/2	3	215TC	9.96	5.25	4.25	8.50	7.00	3.75	0.41	
10	3	215TC	9.60	5.25	4.25	8.50	7.00	3.75	0.41	
15	3	254TC	11.30	6.25	5.00	10.00	8.25	4.50	0.53	
20	3	256TC	11.30	6.25	5.00	10.00	10.00	4.50	0.53	
25	3	284TSC	12.30	7.00	5.50	11.00	9.50	5.00	0.53	
30	3	286TSC	12.30	7.00	5.50	11.00	11.00	5.00	0.53	

3. Control of E-pumps

CRTE pumps are the ideal choice for a number of applications characterized by a demand for variable flow rate at constant pressure. The pumps are suited for water supply systems and pressure boosting as well as for industrial applications.

Depending on the application, the pumps offer energy savings, increased comfort and improved processing.

E-pumps in the service of industry

The industry uses a large number of pumps in many different applications. Demands on pumps in terms of pump performance and operating modes make speed control a must in many applications.

E-pumps are ideal for and often used in the situations listed below.

Constant pressure

- Water supply
- washing and cleaning systems
- distribution from waterworks
- humidifying systems
- water treatment systems
- process boosting systems

Example: Within industrial water supply, E-pumps with an integrated pressure sensor are used to ensure a constant pressure in the pipe system. From the sensor, the E-pump receives inputs about changes of pressure as a result of changes in the consumption. The E-pump responds to the input by adjusting the speed until the pressure is equalized. The constant pressure is stabilized once more on the basis of the preset setpoint.

Constant temperature

- Air-conditioning systems in industrial plants
- industrial cooling systems
- industrial freezing systems
- casting and molding tools

Example: In industrial freezing systems, E-pumps with a temperature sensor increase comfort and lower operating costs compared with pumps without a temperature sensor.

An E-pump continuously adapts its performance to the changing demands reflected in the differences in temperature of the liquid circulating in the freezing system. Thus, the lower the demand for cooling, the smaller the quantity of liquid circulated in the system and vice versa.

Constant level

- Boiler feed systems
- condensate systems
- sprinkler irrigation systems
- chemical industry

Example: In a steam boiler, it is important to be able to monitor and control pump operation to maintain a constant level of water in the boiler.

By using an E-pump with a level sensor in the boiler, it is possible to maintain a constant water level.

A constant water level ensures optimum and cost-efficient operation as a result of a stable steam production.

Dosing applications

- Chemical industry, that is control of pH values
- petrochemical industry
- paint industry
- degreasing systems
- bleaching systems

Example: In the petrochemical industry, E-pumps with a pressure sensor are used as dosing pumps.

The E-pumps help to ensure that the correct mixture ratio is achieved when more liquids are combined.

E-pumps functioning as dosing pumps improve processing and offer energy savings.

E-pumps in commercial building services

Commercial building services use E-pumps to maintain a constant pressure or a constant temperature based on a variable flow rate.

Constant pressure

Water supply in high-rise buildings, such as office buildings and hotels.

Example: E-pumps with a pressure sensor are used for water supply in high-rise buildings to ensure a constant pressure even at the highest draw-off point.

As the consumption pattern and thus the pressure change during the day, the E-pump continuously adapts its performance until the pressure is equalized.

Constant temperature

- Air-conditioning systems in, for example, hotels, and schools
- building cooling systems

Example: E-pumps are an excellent choice for buildings where a constant temperature is essential. E-pumps keep the temperature constant in air-conditioned, high-rise glass buildings, irrespective of the seasonal fluctuations of the outdoor temperature and various heat impacts inside the building.

Control options

It is possible to communicate with CRE, CRIE, CRNE pumps via the following platforms:

- the operating panel on the pump
- Grundfos GO Remote
- central management system.

The purpose of controlling an E-pump is to monitor and control the pressure, temperature, flow rate and liquid level of the system.

Operating panel on the pump

The operating panel on the E-pump terminal box makes it possible to change the setpoint settings manually.

MLE permanent-magnet motors

- 1/2 to 2 HP (1 x 200-240 V)
- 1 1/2 to 7 1/2 HP (3 x 200-240 V)
- 1 to 15 HP (3 x 440-480 V)

The operating condition of the pump is indicated by Grundfos Eye on the operating panel. See fig. 8.

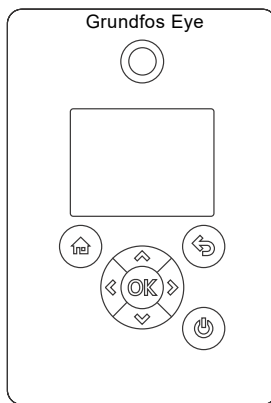


Fig. 8 Operating panel on CRE pump

TM06 9616 2517

MLE asynchronous motors

- 20 to 30 HP (3 x 460-480 V)

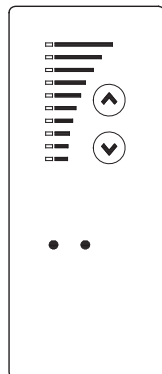


Fig. 9 Operating panel on CRE pump

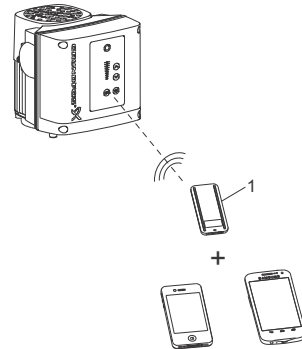
TM02 8513 0304

Grundfos GO Remote

The pump is designed for wireless radio or infrared communication with Grundfos GO Remote.

Grundfos GO Remote enables the setting of functions and gives access to status overviews, technical product information and actual operating parameters.

Grundfos GO Remote offers three different mobile interfaces (MI).



TM06 6256 0916

Fig. 10 Grundfos GO Remote communicating with the pump via radio or infrared connection (IR)

Pos.	Description
1	Grundfos MI 204: Add-on module enabling radio or infrared communication. You can use MI 204 in conjunction with an Apple iPhone or iPod with Lightning connector, for example, fifth generation or later iPhone or iPod. MI 204 is also available together with an Apple iPod touch and a cover.
2	Grundfos MI 301: Separate module enabling radio or infrared communication. You can use MI 301 in conjunction with an Android or an iOS-based smart device with Bluetooth connection.

Central management system

Communication with the E-pump is possible even if the operator is not present near the E-pump. Communication is enabled by connecting the E-pump to a central management system. This allows the operator to monitor the pump and to change control modes and setpoint settings.

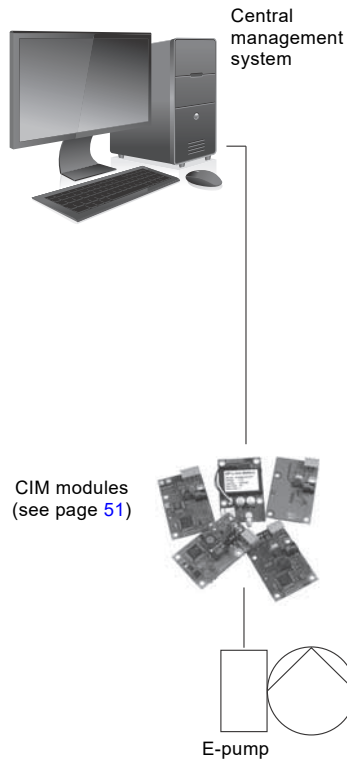


Fig. 11 Structure of a central management system

Control modes for E-pumps

Grundfos CRTE pumps are available in two variants:

- CRTE with integrated pressure sensor
- CRTE without sensor.

CRTE with integrated pressure sensor

Use CRTE pumps with an integrated pressure sensor in applications where you want to control the pressure after the pump, irrespective of the flow rate. For further information, see [Control of E-pumps](#) on page 16.

Signals of pressure changes in the pipe system are transmitted continuously from the sensor to the pump. The pump responds to the signals by adjusting its performance up or down to compensate for the pressure difference between the actual and the desired pressure. As this adjustment is a continuous process, a constant pressure is maintained in the pipe system.



Fig. 12 CRTE pumps

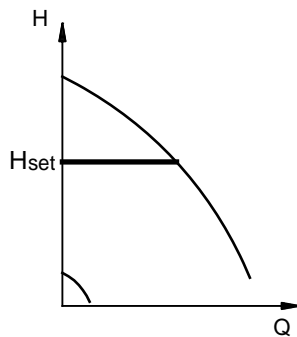
TM06 7627 0118

TM06 9851 0817

CRTE pumps with an integrated pressure sensor facilitates installation and commissioning. CRTE pumps with an integrated pressure sensor can be set to either of these control modes:

- constant pressure (factory setting)
- constant curve.

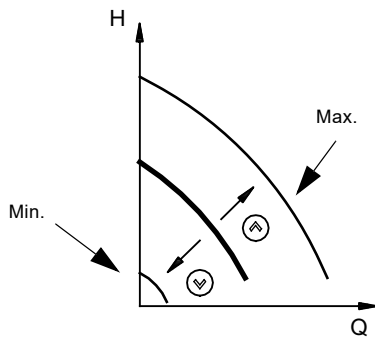
In constant-pressure mode, the pump maintains a preset pressure after the pump, irrespective of the flow rate. See fig. 13.



TM00 9322 4796

Fig. 13 Constant-pressure mode

In constant-curve mode, the pump is not controlled. It can be set to pump according to a preset pump characteristic curve within the range from minimum curve to maximum curve. See fig. 14.



TM00 9323 1204

Fig. 14 Constant-curve mode

CRTE without sensor

CRTE pumps without a sensor are suitable in these situations:

- Uncontrolled operation is required.
- The sensor has been retrofitted in order to control the flow rate, temperature, differential temperature, liquid level, pH value and similar at some arbitrary point in the system.

MLE permanent- magnet motors

- 1/2 to 2 HP (1 x 200-240 V)
- 1 1/2 to 7 1/2 HP (3 x 200-240 V)
- 1 to 15 HP (3 x 440-480 V)

These CRTE pumps without a sensor can be set to either of these control modes:

- constant pressure
- constant differential pressure
- constant temperature
- constant differential temperature
- constant flow rate
- constant level
- constant curve
- constant other value.

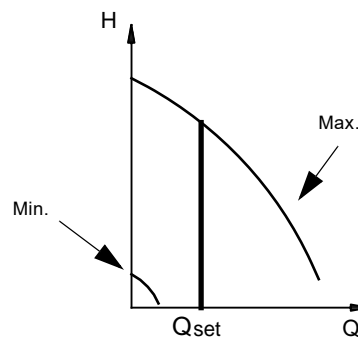
MLE asynchronous motors

- 20 to 30 HP (3 x 460-480 V)

These CRTE pumps without a sensor can be set to either of these control modes:

- controlled operation
- uncontrolled operation (factory setting).

In controlled operating mode, the pump adjusts its performance to the desired setpoint. See fig. 15.



TM02 7264 2803

Fig. 15 Constant-flow mode

In uncontrolled operating mode, the pump operates according to a preset pump characteristic curve. See fig. 14.

4. Advanced use of MLE motors

Grundfos MLE motors have many features for the advanced user.

Grundfos three-phase MLE motors have features such as bearing monitoring, standstill heating, stop function, signal relays, analog sensors and limit exceeded. These features give a unique opportunity to customize the E-pumps.

PC Tool E-products give access to most of the settings available in the products, as well as the possibility of logging and viewing data.

All of these features are described below.

Bearing monitoring

Bearing monitoring is a built-in function indicating the time to relubricate or replace the bearings of the MLE motor. The relubrication feature is only available for three-phase pumps of 15 to 30 HP.

Purpose and benefits

The purpose of this function is to give an indication to the user when it is time to relubricate or replace the motor bearings. This is important information for maintenance planning.

Bearing monitoring provides these benefits:

- The bearing can be relubricated at the right time according to the manufacturer's recommendations.
- Maximum life of the motor bearings is obtained.
- Maintenance intervals are based on the operating conditions of the bearings.
- No worn-down or damaged bearings, and consequently no costly down-time, due to overseen maintenance.

Description

When the bearing monitoring function determines that it is time to relubricate the bearings, the user will receive a warning via PC Tool E-products, a bus or a relay.

When the bearings have been relubricated, a certain number of times, the warning function will inform the user that it is time to replace the bearings.

The number of relubrications before bearing replacement is set by Grundfos.

Technical description

The bearing monitoring function is available on two levels for calculating the relubrication interval, basic and advanced:

Bearing monitoring function						
	<table border="1"> <thead> <tr> <th>Basic level</th> </tr> </thead> <tbody> <tr> <td> <p>Calculation of relubrication intervals based on motor revolutions</p> <p>The basic level is a standard feature of the 15-30 HP basic controller and no special functional module is required.</p> </td> </tr> <tr> <td> <table border="1"> <thead> <tr> <th>Advanced level (only 15-30 HP)</th> </tr> </thead> <tbody> <tr> <td> <p>Calculation of relubrication intervals based on motor revolutions and bearing temperature</p> <p>The advanced-level function requires the following:</p> <ul style="list-style-type: none"> • The extended functional module must be fitted in the MLE motor. • Temperature sensors must be fitted at the drive end and at the non-drive end of the motor. </td> </tr> </tbody> </table> </td> </tr> </tbody> </table>	Basic level	<p>Calculation of relubrication intervals based on motor revolutions</p> <p>The basic level is a standard feature of the 15-30 HP basic controller and no special functional module is required.</p>	<table border="1"> <thead> <tr> <th>Advanced level (only 15-30 HP)</th> </tr> </thead> <tbody> <tr> <td> <p>Calculation of relubrication intervals based on motor revolutions and bearing temperature</p> <p>The advanced-level function requires the following:</p> <ul style="list-style-type: none"> • The extended functional module must be fitted in the MLE motor. • Temperature sensors must be fitted at the drive end and at the non-drive end of the motor. </td> </tr> </tbody> </table>	Advanced level (only 15-30 HP)	<p>Calculation of relubrication intervals based on motor revolutions and bearing temperature</p> <p>The advanced-level function requires the following:</p> <ul style="list-style-type: none"> • The extended functional module must be fitted in the MLE motor. • Temperature sensors must be fitted at the drive end and at the non-drive end of the motor.
Basic level						
<p>Calculation of relubrication intervals based on motor revolutions</p> <p>The basic level is a standard feature of the 15-30 HP basic controller and no special functional module is required.</p>						
<table border="1"> <thead> <tr> <th>Advanced level (only 15-30 HP)</th> </tr> </thead> <tbody> <tr> <td> <p>Calculation of relubrication intervals based on motor revolutions and bearing temperature</p> <p>The advanced-level function requires the following:</p> <ul style="list-style-type: none"> • The extended functional module must be fitted in the MLE motor. • Temperature sensors must be fitted at the drive end and at the non-drive end of the motor. </td> </tr> </tbody> </table>	Advanced level (only 15-30 HP)	<p>Calculation of relubrication intervals based on motor revolutions and bearing temperature</p> <p>The advanced-level function requires the following:</p> <ul style="list-style-type: none"> • The extended functional module must be fitted in the MLE motor. • Temperature sensors must be fitted at the drive end and at the non-drive end of the motor. 				
Advanced level (only 15-30 HP)						
<p>Calculation of relubrication intervals based on motor revolutions and bearing temperature</p> <p>The advanced-level function requires the following:</p> <ul style="list-style-type: none"> • The extended functional module must be fitted in the MLE motor. • Temperature sensors must be fitted at the drive end and at the non-drive end of the motor. 						

Standstill heating

Standstill heating is a feature ensuring that even during standstill periods the motor windings have a certain minimum temperature.

Purpose and benefits

The purpose of this function is to make the MLE motor more suitable for outdoor installation. During standstill periods, there is a need to keep the motor temperature higher than the ambient temperature to avoid condensation in and on the motor.

Traditionally, this issue has been solved by using an anti-condensation heater on the stator coil heads. Now, Grundfos provides this feature by means of a special function within the MLE motor and terminal box.

The MLE motor has standstill heating included. An external heater on the stator coil is not necessary.

Applications

This function is especially suitable in outdoor applications and at installation sites with fluctuating temperatures.

Description

The working principle is that AC voltage is applied to the motor windings. The applied AC voltage will ensure that sufficient heat is generated to avoid condensation in the motor. The terminal box is kept warm and dry by the heat generated via the power supply. However, it is a condition that the terminal box is not exposed to open air. It must be provided with a suitable cover to protect it from rain.

Outdoor installation

According to UL 778 and C22.2 No 108-14, pumps that are intended for outdoor use must be marked enclosure type 3, and the product must be tested at a rated surface temperature down to -31 °F (-35 °C). The MLE enclosure is approved for type 3 or 4 and a rated surface temperature down to 32 °F (0 °C), and thus only for indoor use in UL 778 and C22.2 No 108-14 pump applications. See the installation and operating instructions for additional details.

Stop function

The stop function ensures that the pump is stopped at low or no flow. The function is also called low-flow stop function.

Purpose and benefits

The purpose of the stop function is to stop the pump when a low flow rate is detected.

The stop function provides these benefits:

- The energy consumption is optimized, and the system efficiency is improved.
- Unnecessary heating of the pumped liquid which damages pumps is avoided
- Wear of the shaft seals is reduced.
- Noise from operation is reduced.

Applications

The stop function is used in systems with periodically low or no consumption thus preventing the pump from running against a closed valve.

Operating conditions for the stop function

A pressure sensor, a check valve and a diaphragm tank are required for the stop function to operate properly.

Note that the check valve must always be installed before the pressure sensor. See fig. 16 and fig. 17.

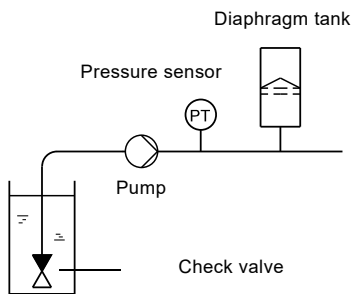


Fig. 16 Position of the check valve and pressure sensor in system with suction lift operation

TM03 8582 1907

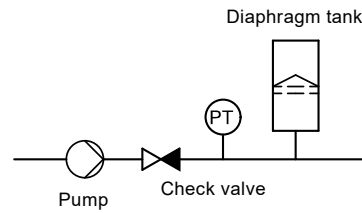


Fig. 17 Position of the check valve and pressure sensor in system with positive inlet pressure

TM03 8583 1907

When a low flow rate is detected, the pump is in start/stop operation. If there is flow, the pump will continue operating according to the setpoint. See fig. 18.

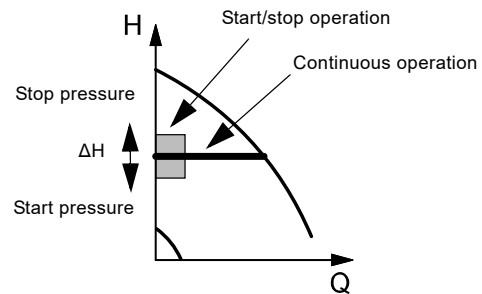


Fig. 18 Constant pressure with stop function. Difference between start and stop pressures (ΔH)

TM03 8477 1607

Diaphragm tank

The stop function requires a diaphragm tank of a certain minimum size. The tank must be installed near the pump outlet, and the precharge air pressure must be 0.7 x setpoint.

Recommended diaphragm tank size:

Rated flow rate of pump [gpm (m ³ h)]	CRE pump	Typical diaphragm tank size [gal (liter)]
0-26 (0 - 5.9)	1s, 1, 3	2 (7.6)
27-105 (6.1 - 23.8)	5, 10, 15	4.4 (16.7)
106-176 (24.2 - 40)	20, 32	14 (53.0)
177-308 (40.2 - 70.0)	45	34 (128.7)
309-500 (70.2 - 113)	64, 95	62 (234.7)
501-821 (114-186)	125, 155	86 (325.5)

If a diaphragm tank of the above size is installed in the system, additional adjustment is unnecessary. If the tank installed is too small, the pump will start and stop often. Tank size will influence at which flow rate the system will go into start/stop operation.

Description

The low-flow stop function can operate in two different ways:

- by means of an integrated low-flow detection function
- by means of an external flow switch connected to the digital input.

Low-flow detection function

- The low-flow detection function will check the flow rate regularly by reducing the speed for a short time. A small change in pressure or no change in pressure means that there is a low flow rate.

Low-flow detection with flow switch

- When a flow switch detects a low flow rate, the digital input will be activated.

Contact Grundfos for further information.

Dry-running protection

This function protects the pump against dry running. When lack of inlet pressure or water shortage is detected, the pump will be stopped before being damaged.

Lack of inlet pressure or water shortage can be detected with a switch connected to a digital input configured to dry-running protection.

The use of a digital input requires an accessory, such as:

- a Grundfos Liqtec® dry-running switch. For more information on LiqTec, see [Accessories](#) on page 50
- a pressure switch installed on the inlet side of the pump
- a float switch installed on the inlet side of the pump.

The pump cannot restart as long as the digital input is activated.

Temperature sensors 1 and 2

One or two Pt100 temperature sensors may be connected to the input terminals 17, 18, 19, and 20.

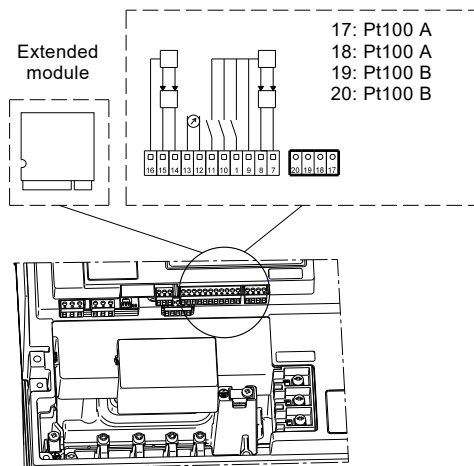


Fig. 19 Temperature sensor connections in the extended functional module

Purpose and benefits

The temperature sensor inputs 1 and 2 provide these benefits:

- The temperature sensor inputs can be used as input to the limit exceeded functions 1 and 2.

- In combination with the bearing monitoring function, the temperature sensors provide optimum monitoring of the motor bearings.
- A bearing warning or a bearing alarm can be indicated as the motor bearing temperature is measured.
- Status readings of the measured temperatures are available via Grundfos GO Remote, PC Tool E-products and a bus.
- The function has a built-in signal fault detection if the temperature sensors fail or a conductor is broken.

Applications

The temperature inputs can be used in all applications where temperatures in the system or in the motor need to be monitored.

Note that the temperature sensor inputs are available on all MLE motors.

Description

The temperature sensor inputs enable several functions.

- The temperature sensor inputs 1 and 2 can be used as input to the limit exceeded functions 1 and 2. If a limit is exceeded, this will be indicated. The indication will be in the form of outputs (relay) or alarms or warnings set or defined in the limit exceeded functions 1 and 2.

The temperature sensor inputs 1 and 2 can be set to measure the bearing temperature. The measured values of temperature sensor 1 and 2 are used in the calculation of relubrication intervals.

Additionally, the measured value can activate the indication of a bearing warning or a bearing alarm. In case of a high bearing temperature, a warning or an alarm can be logged and force the pump to stop.

Signal relays

Signal relays are used to give an output indication of the current operational status of the MLE. The signal relay is a potential-free contact (also called a dry contact). The output signals are typically transmitted to external control systems.

Purpose and benefits

The signal relays offer these features:

- The signal relays can be remotely (via bus) or internally controlled.
- The signal relays can be set to indicate several types of operational status.
- A relay delay can be defined to avoid activating the relay in case of periodic failures.

Applications

Signal relays can be used in all applications involving a need to read out the operational status to, for example, a control room or to a superior control system.

Description

The signal relays can be set with these three parameters:

- relay control
- relay setup
- relay delay.



Fig. 20 Signal relay parameters for 0.5 - 10 HP pumps



Fig. 21 Signal relay parameters for 15-30 HP pumps

Relay control

The relay time is 0 seconds, and the signal relay is internally controlled.

The advanced relay control can only be set via PC Tool E-products.

Relay control has these two setting options:

- **Internally controlled**
The relay is internally controlled by the variable frequency drive software according to the setup of the relay [Ready, Fault, Operation].
- **Remotely controlled**
The relay is controlled via commands from the GENibus.

Analog sensor inputs 1 and 2

The analog sensor inputs 1 and 2 are standardized inputs for measuring all types of analog parameters. Sensor input 1 is the only sensor input set for closed-loop operation. The input will be used as the sensor feedback input.

Sensor input 2 is referred to as the secondary sensor.

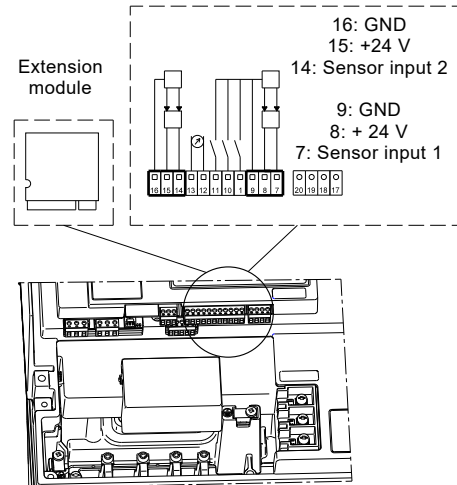


Fig. 22 Sensor inputs 1 and 2 connections

Purpose and benefits

The analog sensor inputs 1 and 2 provide these benefits:

- Sensor input 1 can be feedback input for the built-in PI controller.
- It is possible to monitor secondary parameters in the process, for example, flow rate or liquid temperature.
- The secondary sensor can be set as a redundant sensor.
- The sensors can give input to the limit exceeded functions 1 and 2.
- Status readings of the inputs are available via Grundfos GO Remote and PC Tool E-products.

Applications

Analog sensor inputs 1 and 2 can be used in applications with a need for monitoring essential parameters.

TM03 9214 3607

TM05 0303

Description

The analog sensors 1 and 2 enable several functions.

- When the secondary sensor is set as an input to the limit exceeded functions 1 and 2, defined outputs, warnings, or alarms can be given when system parameters are outside the defined system limits.
- Connecting a flow sensor.
When sensor input 2 is set with a flow sensor, the measured value can be used as input to the proportional-pressure function. The flow rate displayed in Grundfos GO Remote will be the measured flow rate instead of the estimated flow rate.
The flow rate measurement can also be used in the low-flow stop function to detect a low flow rate instead of estimating the flow rate by lowering the speed of the pump.
- Sensor reading via Grundfos GO Remote and PC Tool E-products.
When sensors are set, the user can get a status reading via Grundfos GO Remote and PC Tool E-products.

Analog output

Analog output

The analog output (0-10 mA) can be set via PC Tool E-products to one of these indications:

- feedback value
- speed
- frequency
- motor current
- external setpoint input
- limit exceeded.

The analog output is default set to not active.

Feedback value

The output signal is a function of the actual feedback sensor.

Speed

The output signal is a function of the actual pump speed.

Frequency

The output signal is a function of the actual frequency.

Motor current

The output signal is a function of the actual motor current.

External setpoint input

The output signal is a function of the external setpoint input.

Limit exceeded

The output signal indicates whether the limit is exceeded:

- Minimum output = limit is not exceeded.
- Maximum output = limit is exceeded.

Limit exceeded 1 and 2

Limit exceeded is a monitoring function monitoring one or two values or inputs. The function enables different inputs to activate various outputs, alarms and warnings when the signal input has exceeded pre-determined limits.

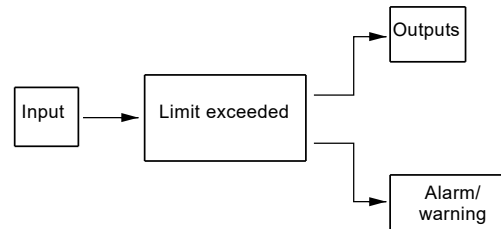


Fig. 23 Example of a limit- exceeded sequence

Purpose and benefits

The purpose of this function is to monitor parameters which are central for the application. This will enable the controller to react to possible, abnormal operating conditions. This makes the E-pump a more important and integrated part of a system, and it can thus replace other existing monitoring units.

The liquid temperature can be monitored, and thus the E-pump can ensure that the system temperature does not exceed a maximum permissible level.

The minimum inlet pressure can be monitored, and thus the E-pump can prevent damage caused by a cavitation or dry run.

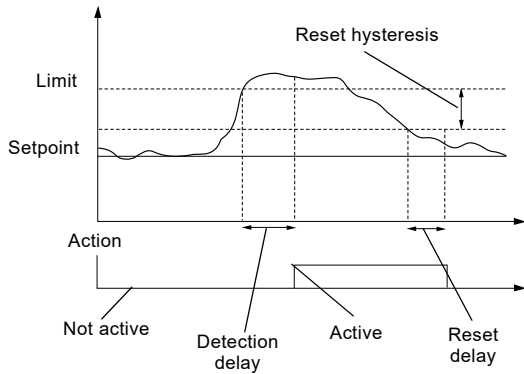
Applications

The limit-exceeded function is typically used for monitoring secondary parameters in the systems.

TM03 9188 3507

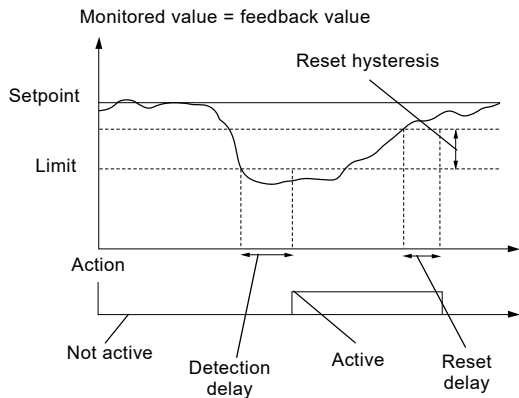
Description

The figures below show two examples of setpoint monitoring by means of the limit-exceeded function.



TM03 9197 3607

Fig. 24 Limit-exceeded sequence with the limit type "max. limit", for example monitoring of bearing temperature



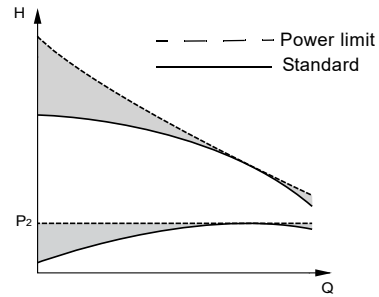
TM03 9196 3607

Fig. 25 Limit-exceeded sequence with the limit type "min. limit"

When the limit is exceeded, the signal input crosses the limit as an increasing or decreasing value, and the function can be set to cover both situations.

Pump operating at power limit

When a pump is operating at the power limit, the MLE motor will deliver an output corresponding to the maximum load stated on the nameplate. The maximum load will never be exceeded. See fig. 26.



TM05 2357 4911

Fig. 26 Curves of a standard E-pump and a pump operating at power limit

Purpose and benefits

When using a standard pump at a low flow rate, the power consumption will drop, and the motor will have excess power available.

By setting the CRE pump to operate at a higher speed, the excess power can be used to provide a higher pressure. The power limit function will make sure that the motor load never exceeds its maximum by decreasing the speed until the motor is at its power limit.

In cases where an undersized motor is used with standard speed, the power limit function will still reduce the speed and protect the motor against overload at a high flow rate. The solution offers the following benefits:

- reduced motor size
- reduced pump size.

Figure 27 shows that a pump operating at low flow rates and relatively high pressures (1) can be fitted with an undersize motor with a rated power that matches this operating range. At higher flow rates and relatively lower pressures (2), the motor will reduce its speed when the power limit is exceeded and follow a steeper curve corresponding to the power available.

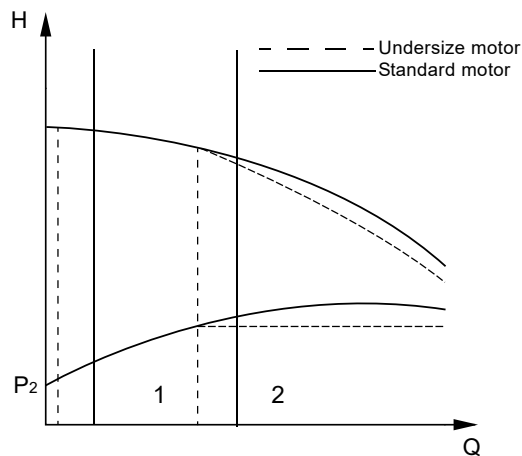


Fig. 27 Standard performance curve compared to a curve for a pump fitted with an undersize MLE motor.

TM05 2359 4911

The MLE motor can be set to a higher speed than a standard motor, enabling the pump to deliver more pressure. The pump will operate at this higher speed until the pump reaches the flow rate where the motor is loaded to its full rated power. If the flow rate is increased further, the motor will reduce its speed so as not to exceed its rated power.

Using this function can, in some instances, enable the use of a smaller pump to reach the desired duty point compared to a pump running with standard maximum speed. See fig. 28.

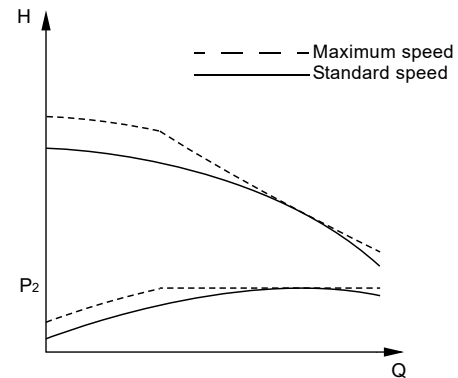


Fig. 28 Standard performance curve (60 Hz) compared to a performance curve for a pump running at maximum speed

TM05 3314 5111

Applications

The power limit function is primarily used in applications where the motor size is dimensioned to be as small as possible to reduce size or cost. It is also used in applications demanding a high maximum speed to achieve a high pressure at a low flow rate. In both cases, the motor is protected by the power limit function at a higher flow rate where a lower speed is needed to prevent the motor from overloading.

Examples of applications:

- Washing and cleaning
- Boiler feed.

Setup

The power limit is always active in CRE pumps to protect the motor against overload. Pumps with an undersize motor and pumps with a higher maximum speed are available as factory-configured products.

Note that running the pump at over-synchronous speed will affect the NPSH value, thus requiring a sufficient inlet pressure to avoid cavitation.

The sound pressure level emitted from the pump and motor may increase at higher speeds.

Furthermore, the differential pressure over the chambers must be taken into consideration.

Stabilizing unstable pump curves

When the pump curve has a shape where it intersects the system curve in two points (A and B) with identical pressure but at different flow rates, the pump curve is defined as unstable. See fig. 29. This is especially problematic in systems with a flat system characteristic as it prevents the pump from being controlled to a flow rate which is lower than the flow rate at point B.

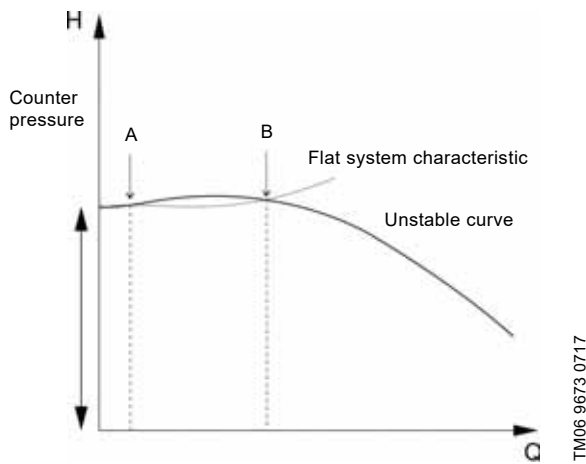


Fig. 29 Unstable pump curve

TM06 9673 0717

The E-motor can stabilize an unstable pump curve in the low-flow- rate area by changing to a higher speed. Figure 30 illustrates how the pump curve is straightened out in this area. As the flow rate increases, the E-motor gradually reduces the speed to normal speed and the pump performance will follow the standard pump curve.

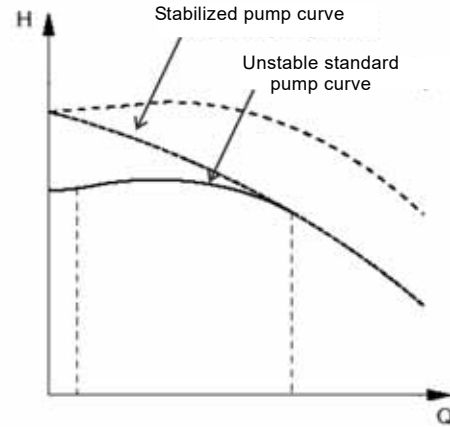


Fig. 30 Pump curve with a stabilized operating range

TM06 9671 0717

Purpose and benefits

The purpose of stabilizing an unstable pump is to enable normal control throughout the entire operating range. Thus fully stable operation is achieved, even in the low-flow-rate range. This enables the use of modern high-efficiency pumps in applications where this would otherwise not be possible.

Applications

As mentioned, unstable operation may occur in applications with a high counterpressure and a flat system characteristic.

Examples of applications:

- pumping of water to a water tower
- boiler feed.

Note that the sound pressure level emitted from the pump and motor may increase at higher speeds.

Setup

This function is available in factory-configured products.

5. Application examples of differential pressure in a circulation system

Circulation systems (closed systems) are well-suited for speed-controlled pump solutions.

It is an advantage that circulation systems with variable system characteristic are fitted with a differential-pressure-controlled circulator pump. See fig. 31.

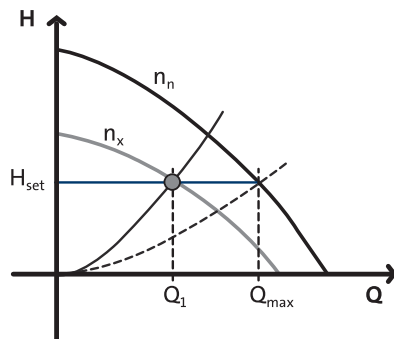
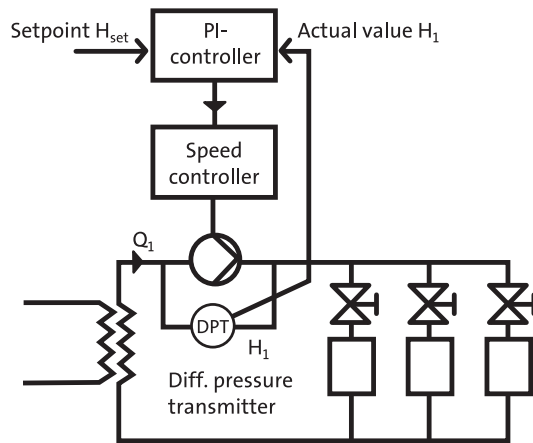


Fig. 31 Constant differential-pressure control

Figure 31 shows a heating system consisting of a heat exchanger where the circulated water is heated and delivered to three radiators by a speed-controlled pump. A control valve is connected in series at each radiator to control the flow rate according to the heat requirement.

The pump is controlled according to a constant differential pressure measured across the pump. This means that the pump system offers constant differential pressure in the Q range of 0 to Q_{max} , represented by the horizontal line in fig. 31.

Constant differential pressure

The differential pressure of the pump is kept constant, independently of the flow rate. See fig. 32.

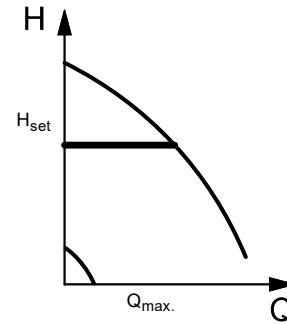


Fig. 32 Constant differential pressure, pump

The pump is controlled according to a constant differential pressure measured across the pump. This means that the pump system offers constant differential pressure in the Q-range of 0 to Q_{max} , represented by the horizontal line in the QH diagram.

Proportional differential pressure

The differential pressure of the pump is reduced at a falling flow rate and increased at a rising flow rate. See fig. 33.

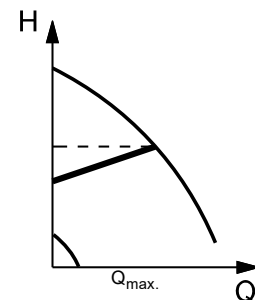


Fig. 33 Proportional differential pressure

The pump is controlled according to a differential pressure measured across the pump. This means that the pump system offers a proportional differential pressure in the Q-range of 0 to Q_{max} , represented by the sloping line in the QH diagram.

Proportional differential pressure, parabolic curve

Available on CRE-DP (differential pressure) only

Setting via PC Tool.

The proportional differential pressure can be selected with one of these flow dependencies:

- linear (setting via PC Tool).
- parabolic (setting via PC Tool).

When the flow dependency is selected as parabolic, the differential pressure of the pump will be reduced with a parabolic curve at a falling flow rate and increased at a rising flow rate. See fig. 34.

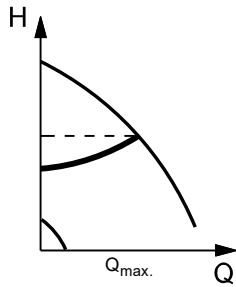


Fig. 34 Proportional differential pressure, parabolic curve

TM04 1695 0908

The pump is controlled according to a differential pressure measured across the pump. This means that the pump system offers a flow-compensated differential pressure in the Q-range of 0 to Q_{max} , represented by the parabolic curve in the QH diagram.

Constant differential pressure setpoint range

The setpoint range is between 12.5 % to 100 % of maximum head.

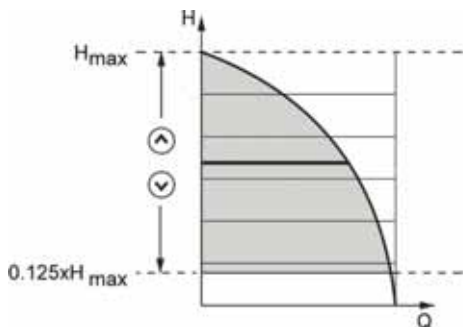
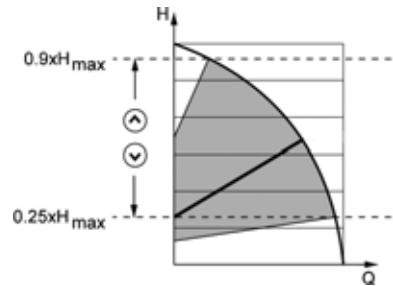


Fig. 35 Constant differential pressure

TM06 2408 1014

Proportional differential pressure setpoint range

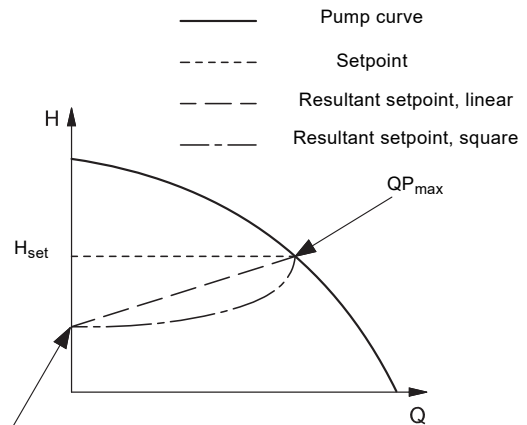
The setpoint range is between 25 % to 90 % of maximum head.



TM06 2479 1014

Fig. 36 Proportional differential pressure

To compensate for this excessive system pressure, the proportional-pressure function automatically adapts the setpoint to the actual flow rate.



TM03 8524 2212

Fig. 37 Proportional-pressure control

The factory-fitted differential-pressure sensor is a variant. Contact Grundfos for additional details.

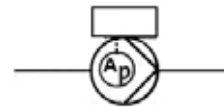
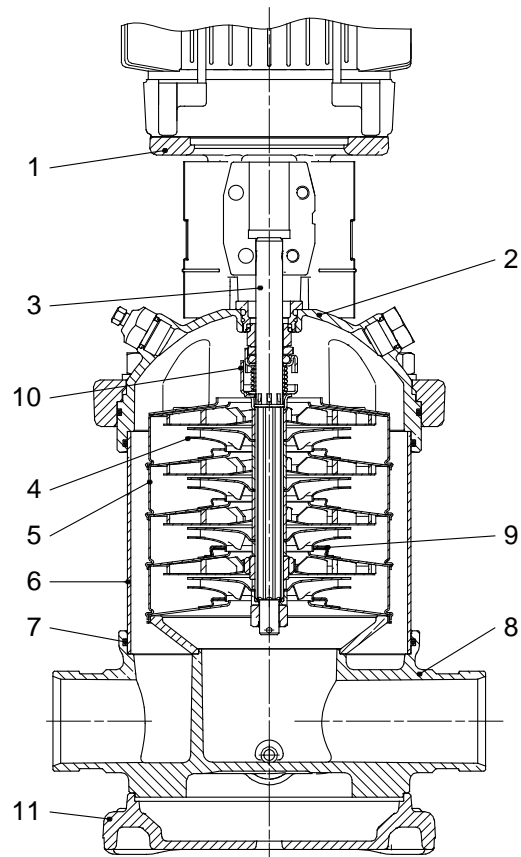


Fig. 38 Proportional pressure

TM06 2478 1014

6. Construction

Sectional drawing



TM02 7196 2803

Materials

Pos.	Description	Materials	AISI/ASTM	EN/DIN
1	Pump head	Stainless steel	1.4308	CF 8 (eq. to AISI 304)
2	Pump head cover	Titanium (cast)	Grade 5	- NA -
3	Shaft	Titanium	Grade 5	3.7165
4	Impeller	Titanium	Grade 1	3.7025
5	Intermediate chamber	Titanium	Grade 1	3.7025
6	Outer sleeve	Titanium	Grade 1	3.7035
7	O-ring for outer sleeve	EPDM or FKM		
8	Base	Titanium (cast)	Grade 5	- NA -
9	Neck ring	PTFE		
10	Shaft seal	AUUE/AUUV		
11	Base plate	Stainless steel	1.4408	CF 8M (eq. to AISI 316)
	Rubber parts in pump	Same as in shaft seal EPDM/FKM		
	Bearing rings	Silicon carbide		
	Plugs	Titanium	Grade 2	3.7165
	Staybolts	Stainless steel	AISI 431	
	Strap (CRT 8/16)	Titanium	Grade 2	3.7035

7. Identification

Type key

Example	C	R	T	E	16	-	3	A	-	P	-	A	-	E	AUUE
Pump range															
Version with vital parts in titanium															
Pump with integrated frequency control															
Nominal flow rate [m ³ /h]															
Number of impellers															
Code for pump version															
Code for pipe connection															
Code for materials, excl. plastic and rubber parts (A = basic version)															
Code for neck ring material															
Code for shaft seal and plastic/rubber parts, excl. neck ring															

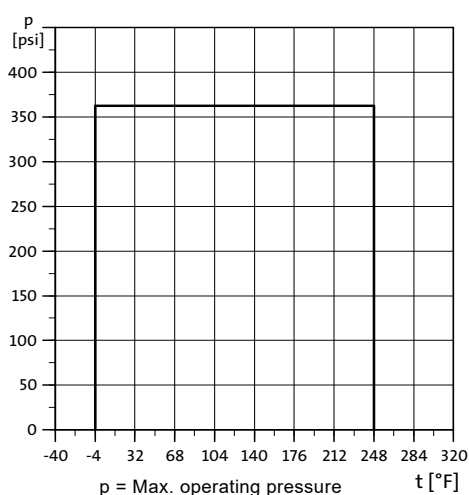
8. Operation

Operating conditions

Temperatures and pressures

Description	Operating conditions
Liquid temperature	EPDM: -4 °F to +248 °F (-20 °C to +120 °C)
	FKM: -4 °F to +194 °F (-20 °C to 90 °C)
Ambient temperature	Maximum +104 °F (40 °C)
Minimum inlet pressure	According to the NPSH _R curve + a safety margin of minimum 2 ft (0.6 m)

Maximum operating pressure



TM02 8329 0105

Fig. 39 Operating pressure and temperature limits

Note that liquid temperatures above +194 °F (90 °C) may involve the risk of periodic noise from the shaft seal.

Maximum inlet pressure

The following table shows the maximum permissible inlet pressure. However, the actual inlet pressure + pressure against a closed valve must always be lower than the maximum permissible operating pressure.

60 Hz		
CRT, CRTE 2-2	→ 2-6	145 psi (10 bar)
CRT, CRTE 2-7	→ 2-18	217 psi (15 bar)
CRT, CRTE 4-1	→ 4-7	145 psi (10 bar)
CRT, CRTE 4-8	→ 4-16	217 psi (15 bar)
CRT, CRTE 8-1	→ 8-16	145 psi (10 bar)
CRT, CRTE 16-2	→ 16-12	145 psi (10 bar)

Pumped liquids

CRT, CRTE pumps are suitable for pumping thin, non-explosive liquids, not containing solid particles or fibers. The liquid must not attack the pump materials chemically.

When pumping liquids with a density or viscosity higher than that of water, motors with correspondingly higher outputs must be used, if required.

CRT pumps can be used for liquid transfer, circulation and pressure boosting.

Corrosion resistance for CRT, CRTE

Media	Conc. [%]	Temp. [°F (°C)]	Seal face		Bearing
			Binderless tungsten carbide (AUUx)	Silicon carbide (AQQx)	Silicon carbide
Demineralized water	-	248 (120)	•	-	•
Ground water	-	248 (120)	•	-	•
Brackish water	-	248 (120)	•	-	•
Seawater	-	176 (80)	•	-	•
Sulfuric acid	3	140 (60)		•**	•
Phosphoric acid	30 10	95 (35) 140 (60)	•	-	•
Formic acid	50	176 (80)		•**	•
Citric acid	50	212 (100)	•	-	•
Oxalic acid	5	68 (20)	•	-	•
Inorganic salts (including FeCl ₃)	-	-	-	•**	•
Sodium hydroxide	10 50	212 (100) 140 (60)	•	-	•
Potassium hydroxide	50	68 (20)	•	-	•
Calcium hydroxide	saturated	212 (100)	•	-	•
Ammonium hydroxide	28	212 (100)	•	-	•
Alcohols (except for methanol*), aldehydes, ketones	-	-	•	-	•

* Titanium is susceptible to stress corrosion cracking (SSC) in methanol and must not be used with methanol.

** Available on request.

9. Selection and sizing

Selection of pumps

Base the selection of the pump on these parameters:

- Duty point of the pump. See page 33.
- Sizing data such as pressure loss as a result of height differences, friction loss in the pipes, and pump efficiency. See page 33.
- Pump materials. See page 35.
- Pump connections. See page 35.
- Shaft seal. See page 35.

Duty point of the pump

From a duty point, you can select a pump on the basis of the curve charts in section 10. *Performance curves and technical data* on page 38.

Ideally, the duty point should match the best efficiency on the pump curve. See the example in fig. 41.

Sizing data

When sizing a pump, take these parameters into account.

- Required flow rate and pressure at the draw-off point.
- Pressure loss as a result of height differences (H_{geo}).
- Friction loss in the pipes (H_f). It may be necessary to account for pressure loss in connection with long pipes, bends, valves, or similar.
- Best efficiency at the estimated duty point.
- NPSH value.

For calculation of the NPSH value, see *Minimum inlet pressure - NPSH* on page 36.

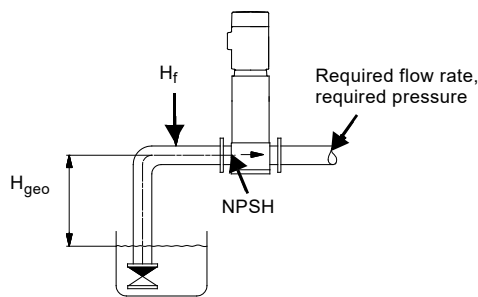
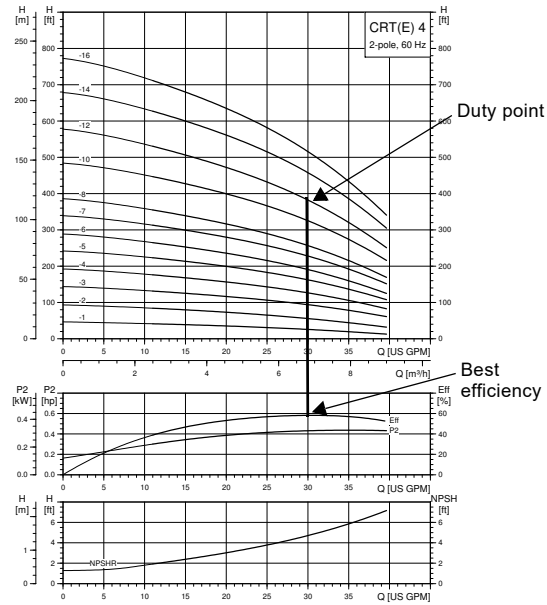


Fig. 40 Sizing data

TM02 6711 1403

Pump efficiency

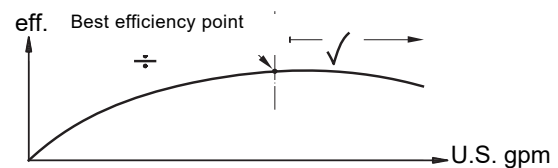
Before determining the best efficiency point, identify the operation pattern of the pump. If the pump is expected to always operate at the same duty point, then select a pump which is operating at a duty point corresponding to the best efficiency of the pump.



TM02 8331 3504

Fig. 41 Example of a CRT, CRTE pump's duty point

As the pump is sized on the basis of the highest possible flow rate, it is important to always have the duty point to the right of the best efficiency point on the efficiency curve (Eff.). This must be considered in order to keep efficiency high when the flow rate drops.



TM02 8579 0504

Fig. 42 Best efficiency

Normally, pumps with an external variable frequency drive (VFD) are used in applications characterized by a variable flow rate. Consequently, it is not possible to select a pump that is constantly operating at its best efficiency.

In order to achieve optimum operating economy, the pump must be selected on the basis of the following criteria:

- The maximum required duty point must be as close as possible to the QH curve of the pump.
- The required duty point must be positioned so that P₂ is close to the maximum point of the 100 % curve.

Between the minimum and maximum performance curves, pumps with VFD have an infinite number of performance curves each representing a specific speed. Therefore, it may not be possible to select a duty point close to the 100 % curve.

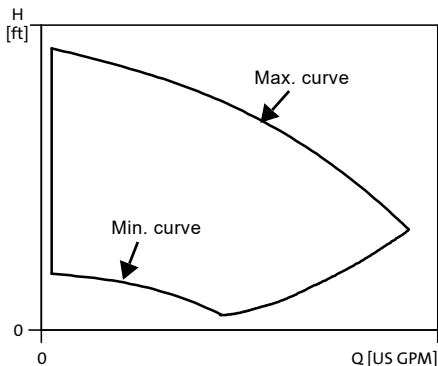


Fig. 43 Minimum and maximum performance curves

In situations where it is not possible to select a duty point close to the 100 % curve, use the affinity equations below. The head (H), the flow rate (Q) and the input power (P) are all the appropriate variables for the motor speed (n). See fig. 44.

Note:

The approximated formulas apply on the condition that the system characteristic remains unchanged for n_n and n_x and that it is based on the formula H = k x Q², where k is a constant.

The power equation implies that the pump efficiency is unchanged at the two speeds. In practice this is not quite correct.

To obtain a precise calculation of the power savings resulting from a reduction of pump speed, take into account the efficiencies of the frequency converter and the motor.

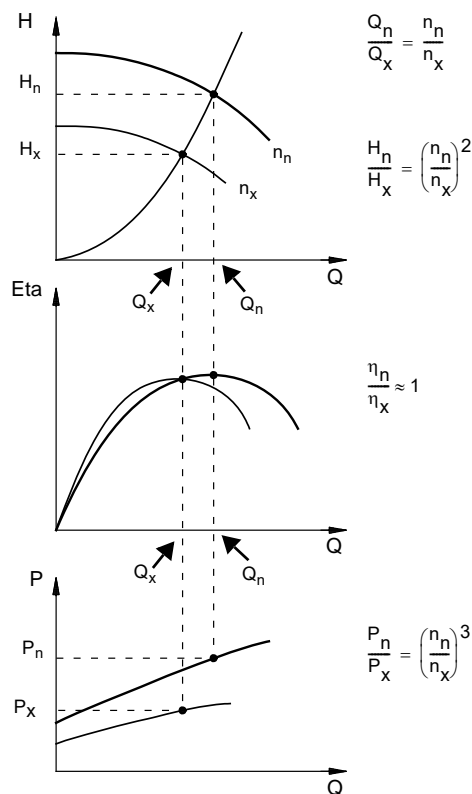


Fig. 44 Affinity equations

Legend

H _n	Rated head in feet
H _x	Current head in feet
Q _n	Rated flow rate in US gpm
Q _x	Current flow rate in US gpm
n _n	Rated motor speed in min ⁻¹ (n _n = 3500 min ⁻¹)
n _x	Current motor speed in min ⁻¹
η _n	Rated efficiency in %
η _x	Current efficiency in %

Grundfos Product Center

We recommend that you size your pump in Grundfos Product Center, which is a selection program offered by Grundfos.

Grundfos Product Center features a user-friendly and easy-to-use virtual guide which leads you through the selection of the pump for the application in question.

For further information see [15. Grundfos Product Center](#) on page 56.

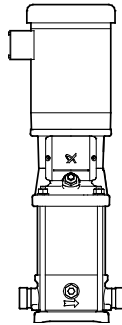
TM02 7572 4803

TM00 8720 3496

Pump material

Select the material variant on the basis of the liquid to be pumped.

- CRT pumps of titanium are suitable for saline or chloride-containing liquids, such as sea water.



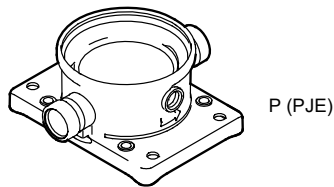
TM02 9594 3404

Fig. 45 CRT pump

Pump connection

Selection of pump connection depends on the rated pressure and the pipes. To meet any requirement, the CRT and CRTE pumps offer the following connections:

- PJE coupling. See fig. 46
- ANSI adapter (CRT 8 and CRT 16 only. Sold separately)



TM02 9593 3404

Fig. 46 Pump connection

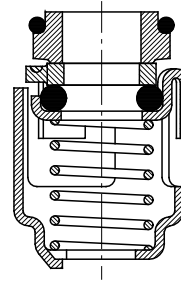
Shaft seal

As standard, the CRT range is fitted with a Grundfos type A shaft seal suitable for the most common applications. See fig. 47.

In service situations Grundfos type A shaft seals can be replaced without dismantling the pump head.

The following three key parameters must be taken into account when selecting the shaft seal:

- Type of pumped liquid
- liquid temperature
- maximum pressure.



TM00 2581 4593

Fig. 47 Shaft seal

Inlet pressure and operating pressure

Do not exceed the limit values stated in section [Operating conditions](#) on page 32 as regards these pressures:

- maximum inlet pressure
- maximum operating pressure.

Minimum inlet pressure - NPSH

We recommend that you calculate the inlet pressure "H" in these situations:

- The liquid temperature is high.
- The flow rate is significantly higher than the rated flow rate.
- Water is drawn from depths.
- Water is drawn through long pipes.
- Inlet conditions are poor.

To avoid cavitation, make sure that there is a minimum pressure on the inlet side of the pump.

Calculate the maximum suction lift "H" in feet of head as follows:

$$H = p_b \times 2.31 - \text{NPSHR} - H_f - H_v$$

p_b = Barometric pressure in psi.

p_b can be set to 14.7 psi at sea level. In closed systems, p_b indicates system pressure in psi.

NPSHR = Net Positive Suction Head Required in feet of head. To be read from the NPSHR curve at the highest flow rate the pump will be delivering.

H_f = Friction loss in the inlet pipe in feet of head at the highest flow rate the pump will be delivering.

H_v = Vapor pressure in feet of head. To be read from the vapor pressure scale. H_v depends on the liquid temperature T_m .

If the "H" calculated is positive, the pump can operate at a suction lift of maximum "H" feet.

If the "H" calculated is negative, an inlet pressure of minimum "H" feet is required.

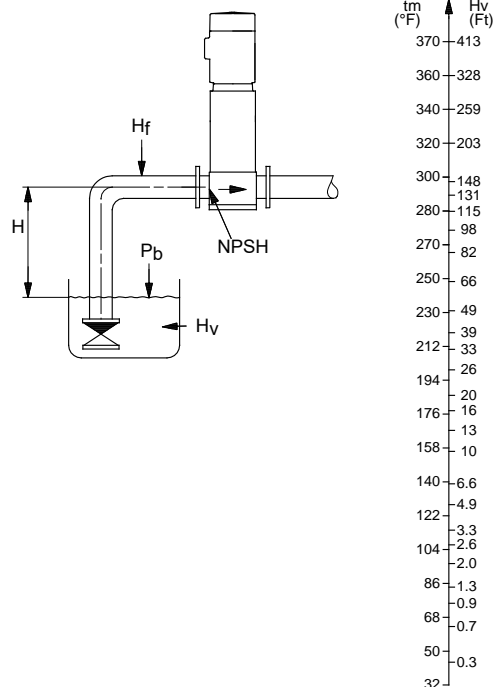


Fig. 48 Minimum inlet pressure - NPSHR

Note:

To avoid cavitation, never select a pump with a duty point too far to the right on the NPSHR curve.

Always check the NPSHR value of the pump at the highest possible flow rate.

TM02 7729 3903

How to read the curve charts

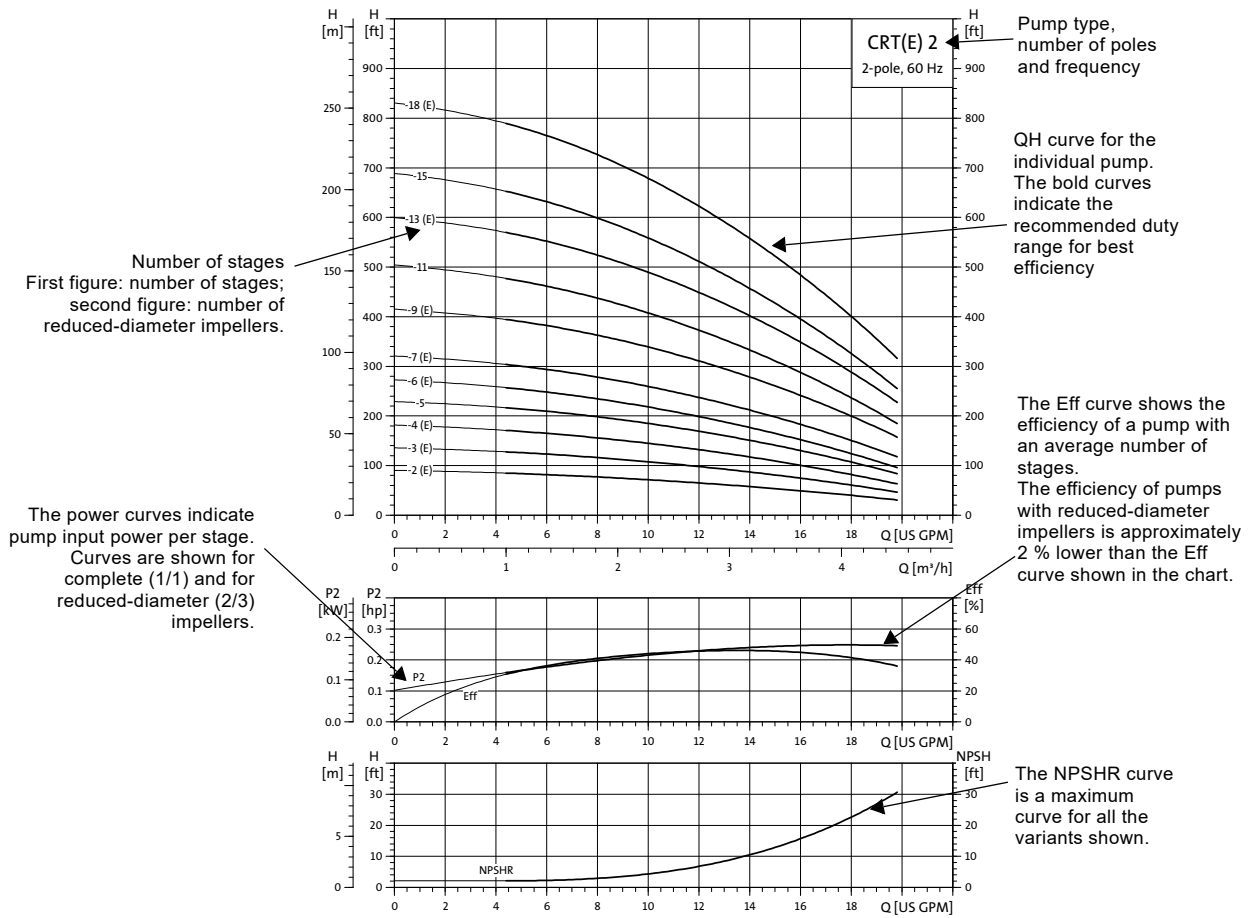


Fig. 49 How to read the curve charts

TM02 0039 1303

Guidelines to performance curves

The guidelines below apply to the curves shown on the following pages:

- Tolerances to ANSI or ISO standards, if indicated on the curve chart.
- The motors used for the measurements are standard motors (TEFC or MLE).
- Measurements have been made with airless water at a temperature of 68 °F (20 °C).
- The curves apply to the following kinematic viscosity $\nu = 1 \text{ mm}^2/\text{s}$ (1 cSt).
- Due to the risk of overheating, the pumps must not be used at a flow rate below the minimum flow rate.
- The QH curves apply to actual speed with the motor types mentioned at 60 Hz.

The curve below shows the minimum flow rate as a percentage of the nominal flow rate in relation to the liquid temperature. The dotted line shows a CR pump fitted with an air-cooled top assembly.

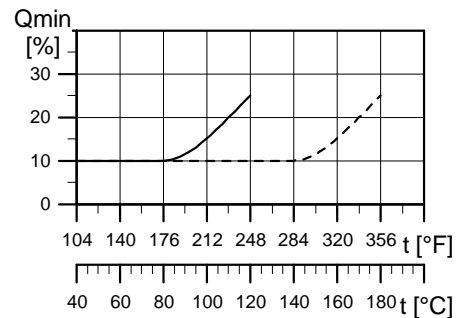
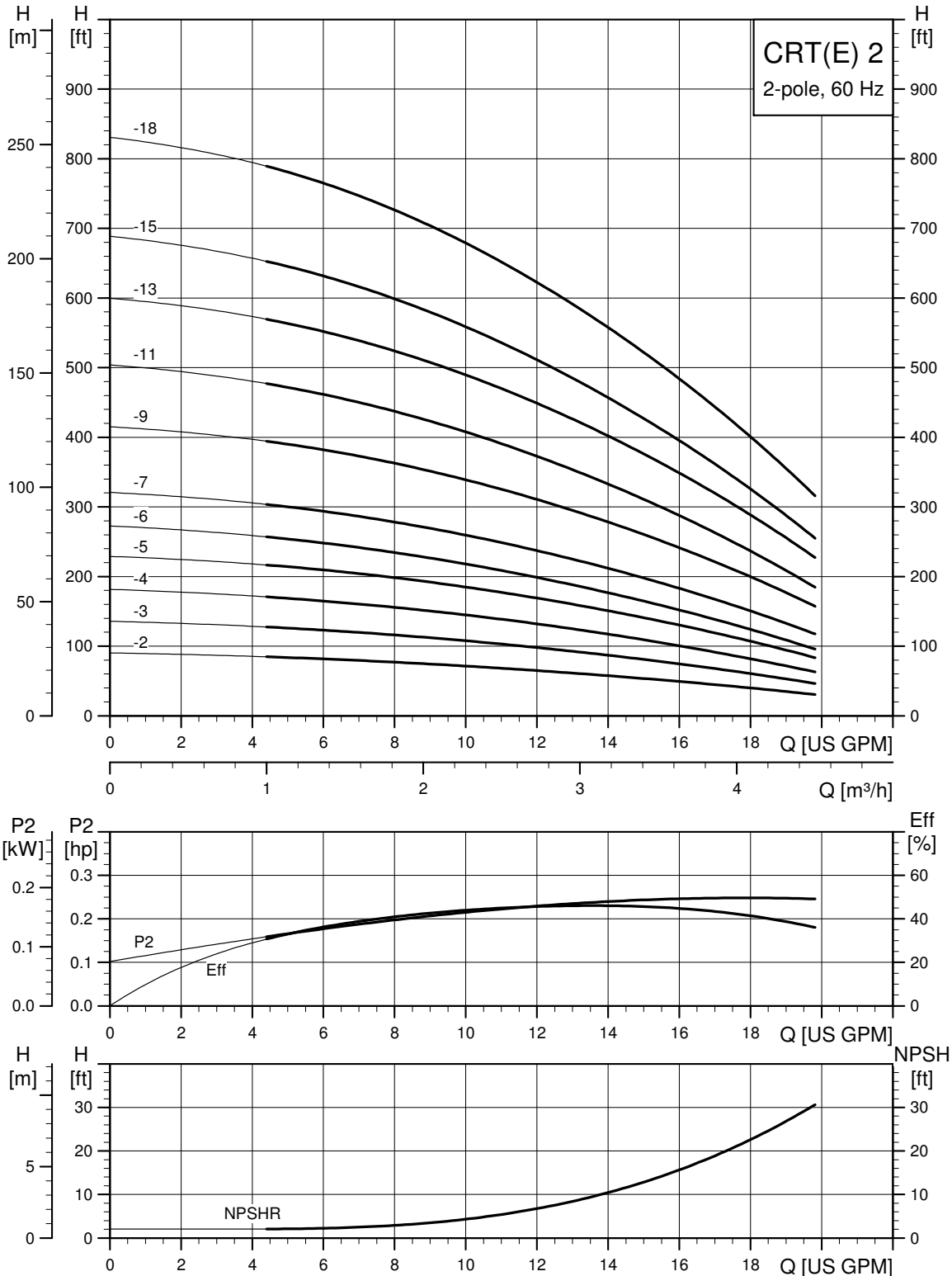


Fig. 50 Minimum flow rate

TM02 7538 1609

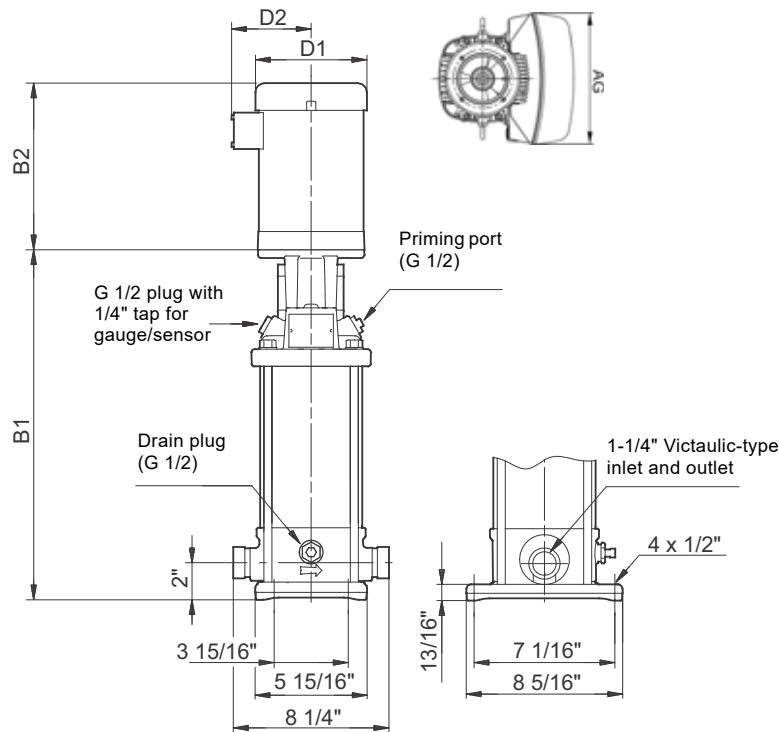
10. Performance curves and technical data

CRT, CRTE 2



TM02 8330 0518

Dimensional sketches



TM02 2149 4604 - TM07 0758 0118

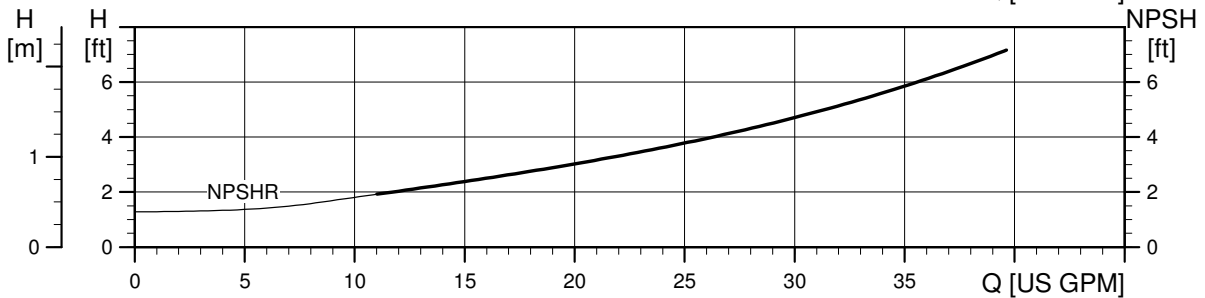
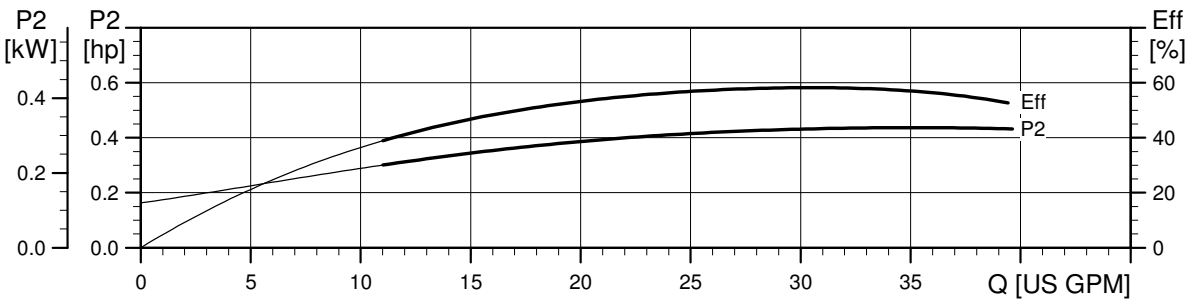
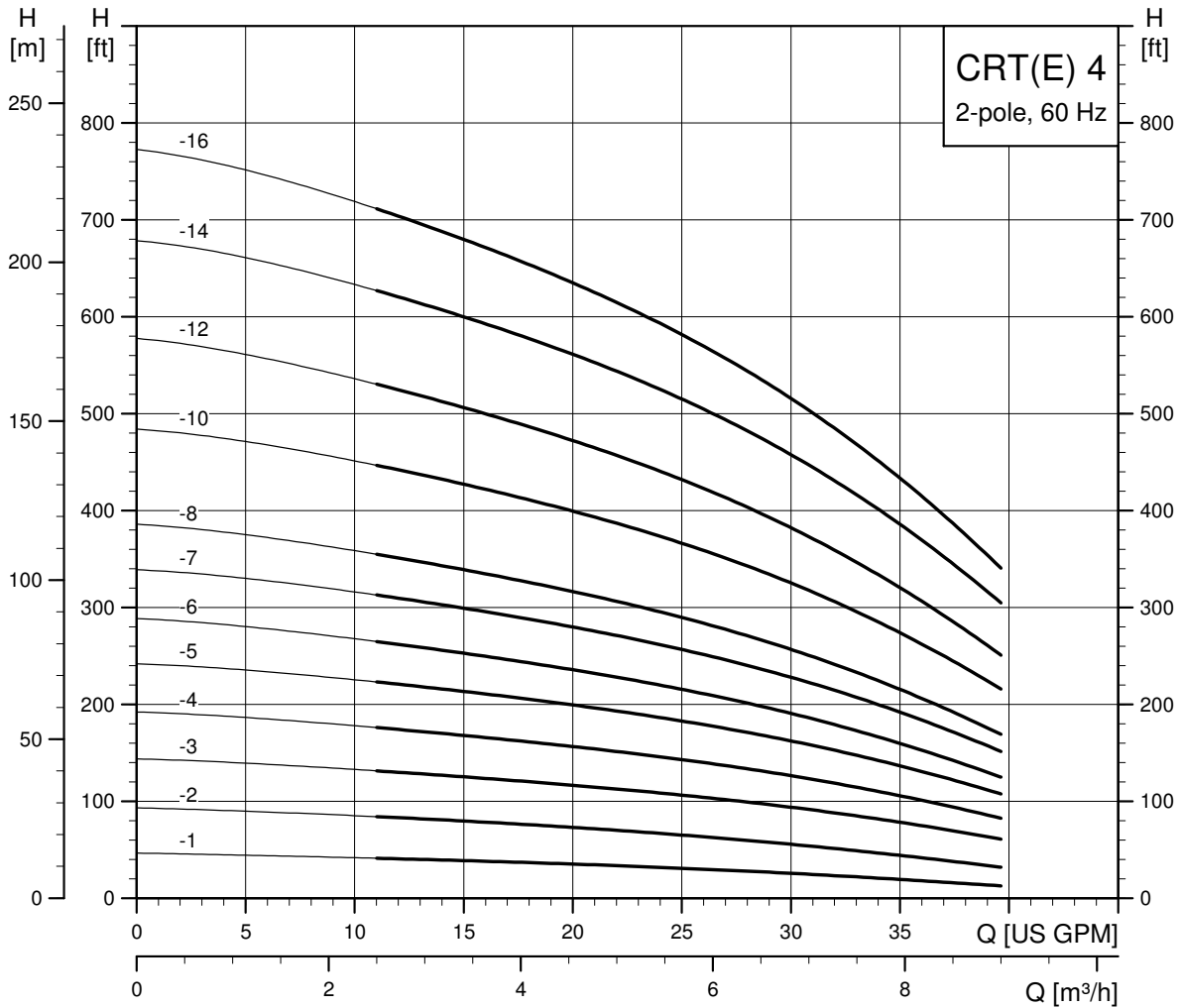
Dimensions and weights

Pump type	HP	Ph	Voltage	Frame size	CRT TEFC					CRTE MLE				
					B1	TEFC D1	D2	B1+B2	Net wt. [lb]	D1	D2	AG	B1+B2	Net wt. [lb]
Dimensions [inches]														
CRT 2-2	1/2	1	115/208-230	56C	9.96	6.64	5.52	19.40	69	4.80	6.22	8.34	18.42	*
		3	208-230/460	56C	9.96	6.69	5.52	18.61	62	-	-	-	-	-
CRT 2-3	3/4	1	115/208-230	56C	9.96	7.64	5.88	21.24	82	4.80	6.22	8.34	18.42	*
		3	208-230/460	56C	9.96	6.69	5.52	18.61	65	-	-	-	-	-
CRT 2-4	1	1	115/208-230	56C	11.61	7.64	5.88	23.29	93	4.80	6.22	8.34	20.07	*
		3	208-230/460	56C	11.61	6.69	5.52	20.65	70	4.80	6.22	10.56	21.65	*
CRT 2-5	1 1/2	1	115/208-230	56C	11.61	7.64	5.88	24.07	100	4.80	6.22	8.34	20.07	*
		3	208-230/460	56C	11.61	7.64	5.88	23.29	94	4.80	6.22	10.56	21.65	*
CRT 2-6	1 1/2	1	115/208-230	56C	13.03	7.64	5.88	25.49	105	4.80	6.22	8.34	21.49	*
		3	208-230/460	56C	13.03	7.64	5.88	24.71	98	4.80	6.22	10.56	23.07	*
CRT 2-7	2	1	115/208-230	56C	13.66	7.64	5.88	26.52	115	4.80	6.22	8.34	22.91	*
		3	208-230/460	56C	13.66	7.64	5.88	26.12	109	4.80	6.22	10.56	24.49	*
CRT 2-9	3	1	115/208-230	182TC	16.50	9.45	8.06	32.97	148	-	-	-	-	-
		3	208-230/460	182TC	16.50	9.45	6.69	30.22	138	4.80	6.22	10.56	27.33	*
CRT 2-11	3	1	115/208-230	182TC	16.50	9.45	8.06	32.97	170	-	-	-	-	-
		3	208-230/460	182TC	16.50	9.45	6.69	30.22	155	4.80	6.22	10.56	27.33	*
CRT 2-13	3	1	115/208-230	182TC	19.53	9.45	8.06	36.00	174	-	-	-	-	-
		3	208-230/460	182TC	19.53	9.45	6.69	33.25	160	4.80	6.22	10.56	30.36	*
CRT, CRTE 2-15	5	1	208-230	213TC	19.53	10.96	8.41	38.84	254	-	-	-	-	-
		3	208-230/460	182TC	19.53	9.45	6.69	34.82	207	7.53	7.91	11.46	32.68	*
CRT, CRTE 2-18	5	1	208-230	213TC	21.65	10.96	8.41	40.96	256	-	-	-	-	-
		3	208-230/460	182TC	21.65	9.45	6.69	36.94	210	7.53	7.91	11.46	34.80	*

Dimensions shown for three-phase MLE motors are for 460 V versions. See page 13 for 200-240 V, three-phase dimensions.

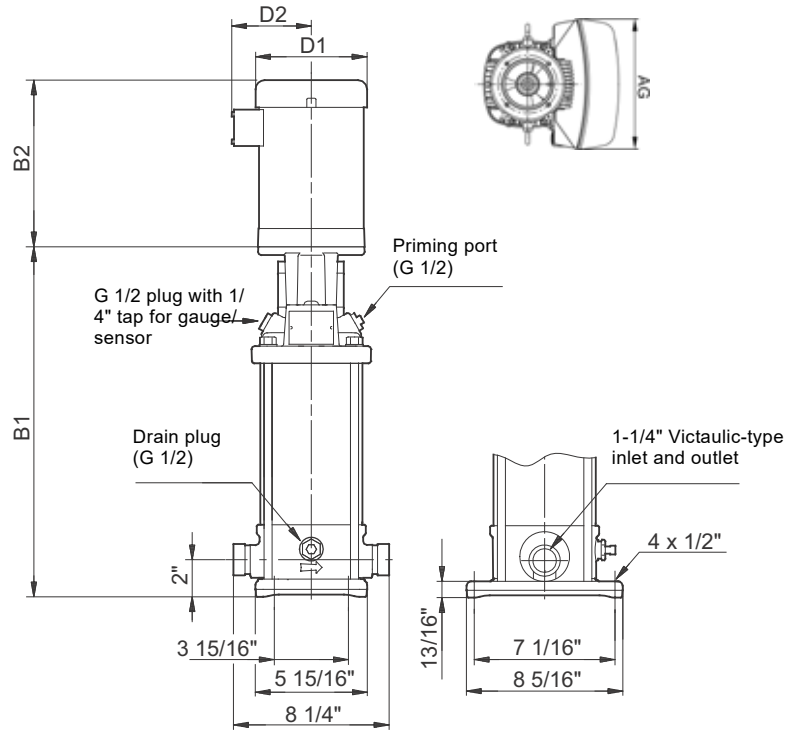
* Contact factory for weights.

CRT, CRTE 4



TM02 8331 0518

Dimensional sketches



TM02 2149 4604 - TM07 0758 0118

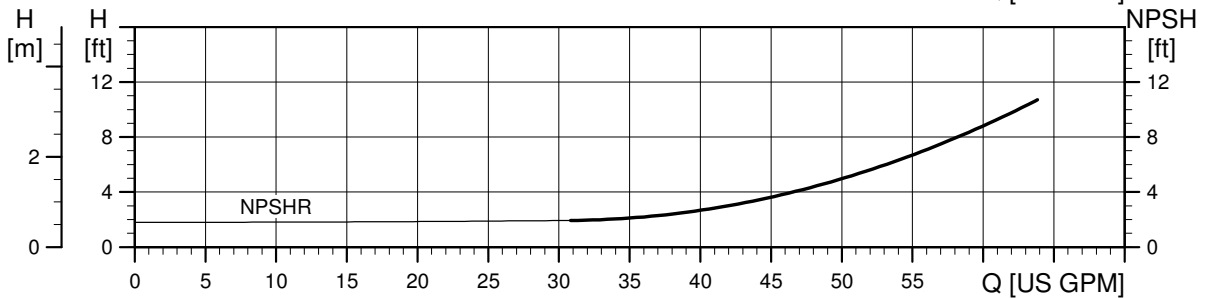
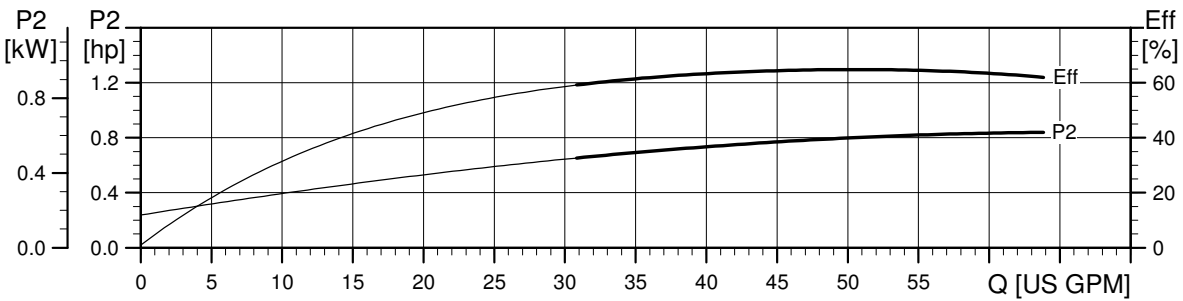
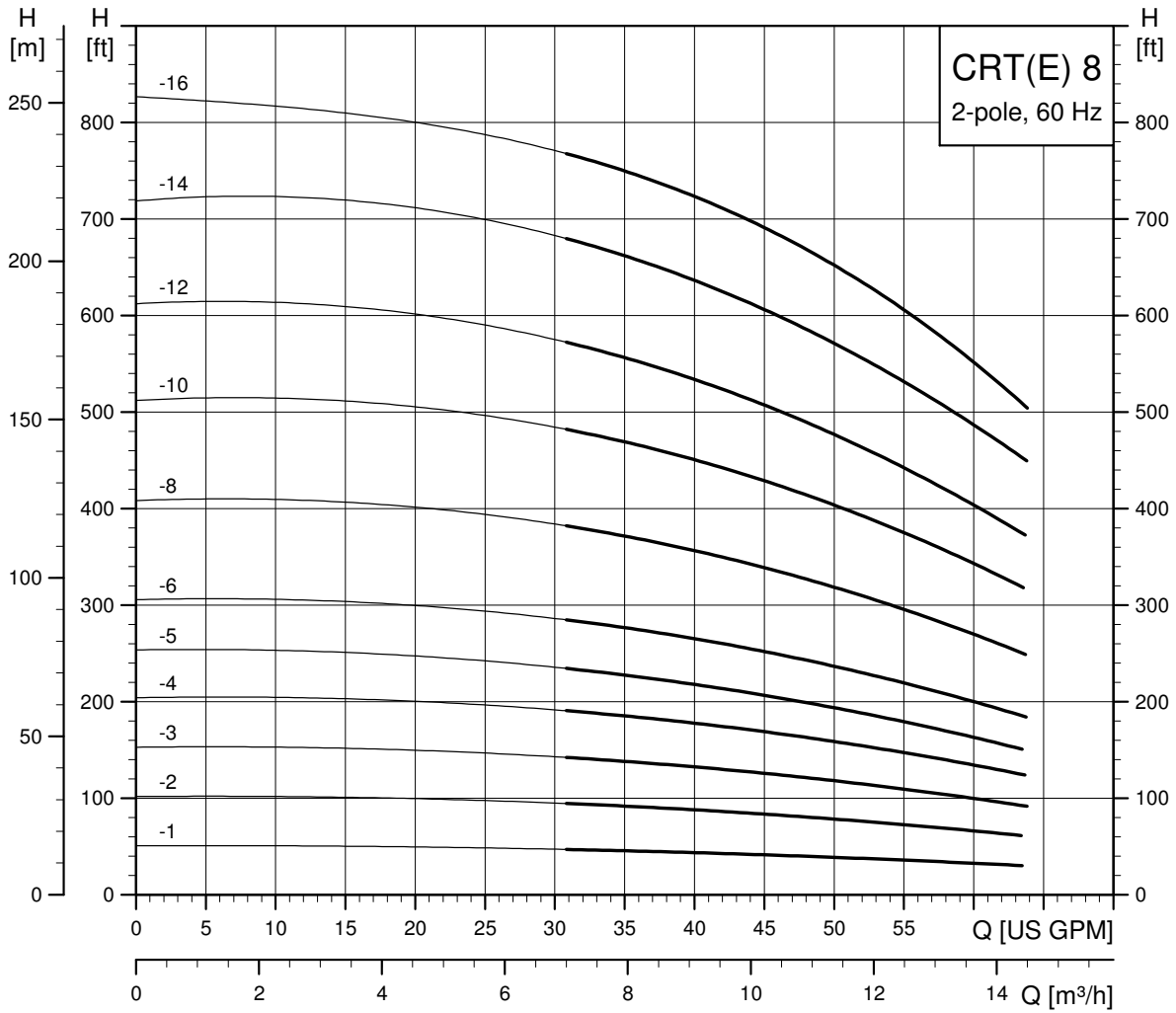
Dimensions and weights

Pump type	HP	Ph	Voltage	Frame size	CRT TEFC					CRTE MLE				
					B1	D1	D2	B1+B2	Net wt. [lb]	D1	D2	AG	B1+B2	Net wt. [lb]
Dimensions [inches]														
CRT, CRTE 4-1	1/2	1	115/208-230	56C	9.96	6.64	5.52	19.40	69	4.80	6.22	8.34	18.42	*
		3	208-230/460	56C	9.96	6.69	5.52	18.61	62	-	-	-	-	-
CRT, CRTE 4-2	3/4	1	115/208-230	56C	9.96	7.64	5.88	21.24	82	4.80	6.22	8.34	18.42	*
		3	208-230/460	56C	9.96	6.69	5.52	18.61	65	-	-	-	-	-
CRT, CRTE 4-3	1 1/2	1	115/208-230	56C	11.26	7.64	5.88	23.72	98	4.80	6.22	8.34	19.72	*
		3	208-230/460	56C	11.26	7.64	5.88	22.94	94	4.80	6.22	10.56	21.30	*
CRT, CRTE 4-4	2	1	115/208-230	56C	12.95	7.64	5.88	25.81	106	4.80	6.22	8.34	22.20	*
		3	208-230/460	56C	12.95	7.64	5.88	25.41	103	4.80	6.22	10.56	23.78	*
CRT, CRTE 4-5	3	1	115/208-230	182TC	15.08	9.45	8.06	31.55	143	-	-	-	-	-
		3	208-230/460	182TC	15.08	9.45	6.69	28.8	133	4.80	6.22	10.56	25.91	*
CRT, CRTE 4-6	3	1	115/208-230	182TC	15.08	9.45	8.06	31.55	168	-	-	-	-	-
		3	208-230/460	182TC	15.08	9.45	6.69	28.80	153	4.80	6.22	10.56	25.91	*
CRT, CRTE 4-7	3	1	115/208-230	182TC	17.40	9.45	8.06	33.87	170	-	-	-	-	-
		3	208-230/460	182TC	17.40	9.45	6.69	31.12	155	4.80	6.22	10.56	28.23	*
CRT, CRTE 4-8	5	1	208-230	213TC	17.40	10.96	8.41	36.71	238	-	-	-	-	-
		3	208-230/460	182TC	17.40	9.45	6.69	31.12	155	7.53	7.91	11.46	30.55	*
CRT, CRTE 4-10	5	1	208-230	213TC	21.65	10.96	8.41	40.96	249	-	-	-	-	-
		3	208-230/460	182TC	21.65	9.45	6.69	36.94	203	7.53	7.91	11.46	34.80	*
CRT, CRTE 4-12	5	1	208-230	213TC	21.65	10.96	8.41	40.96	249	-	-	-	-	-
		3	208-230/460	182TC	21.65	9.45	6.69	36.94	207	7.53	7.91	11.46	34.80	*
CRT, CRTE 4-14	7 1/2	1	208-230	213TC	27.05	10.96	8.41	46.36	276	-	-	-	-	-
		3	208-230/460	213TC	27.05	10.96	7.97	44.00	258	7.53	7.91	11.46	41.42	*
CRT, CRTE 4-16	7 1/2	1	208-230	213TC	27.05	10.96	8.41	46.36	280	-	-	-	-	-
		3	208-230/460	213TC	27.05	10.96	7.97	44	263	7.53	7.91	11.46	41.42	*

Dimensions shown for three-phase MLE motors are for 460 V versions. See page 13 for 200-240 V, three-phase dimensions.

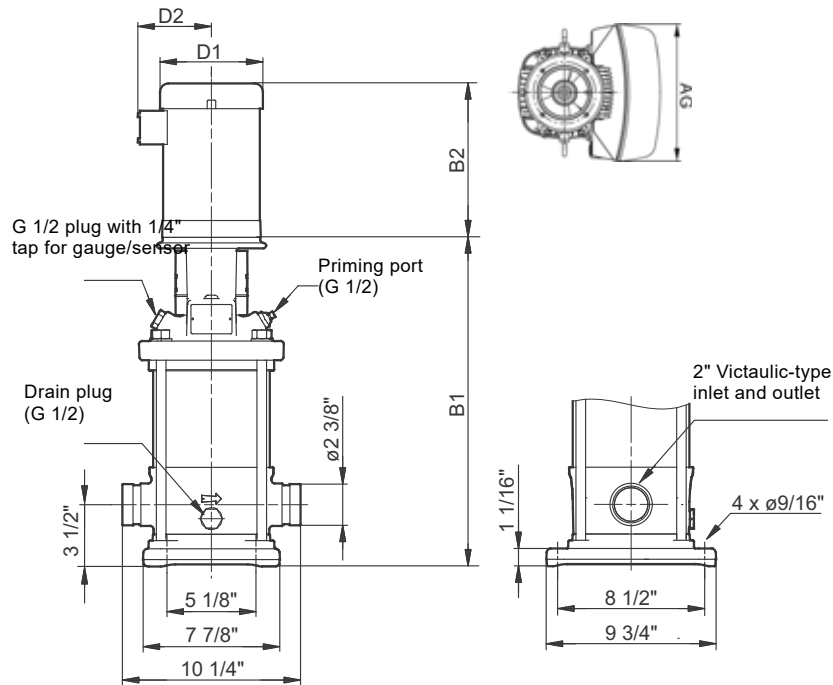
* Contact factory for weights.

CRT, CRTE 8



TM02 8332 0518

Dimensional sketches



TM07 0779 0518 - TM07 0758 0118

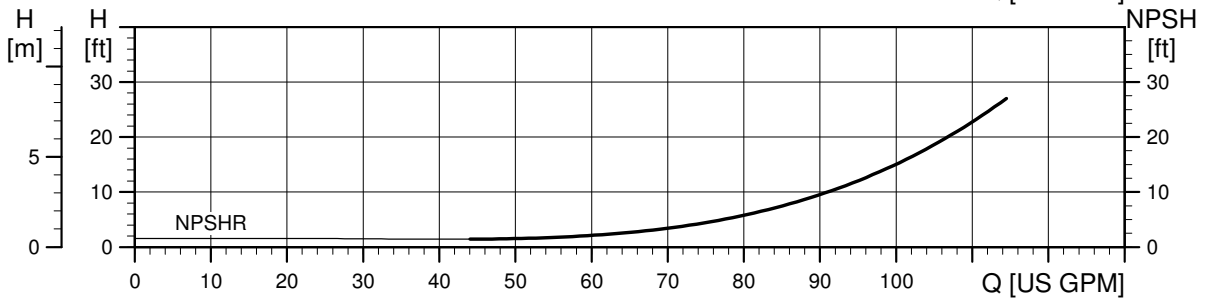
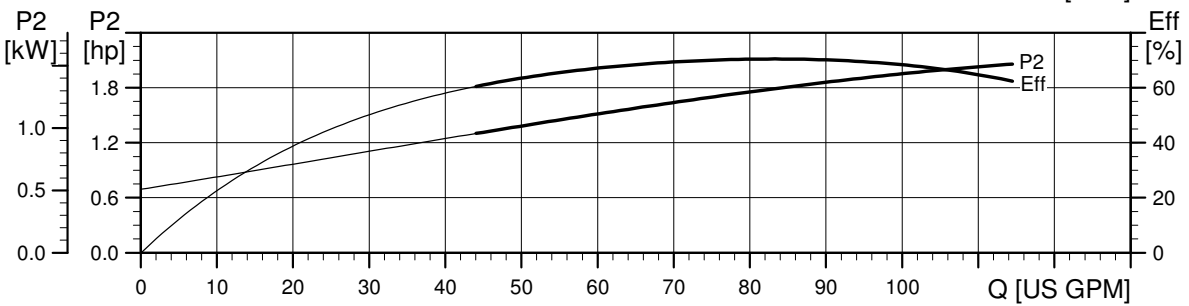
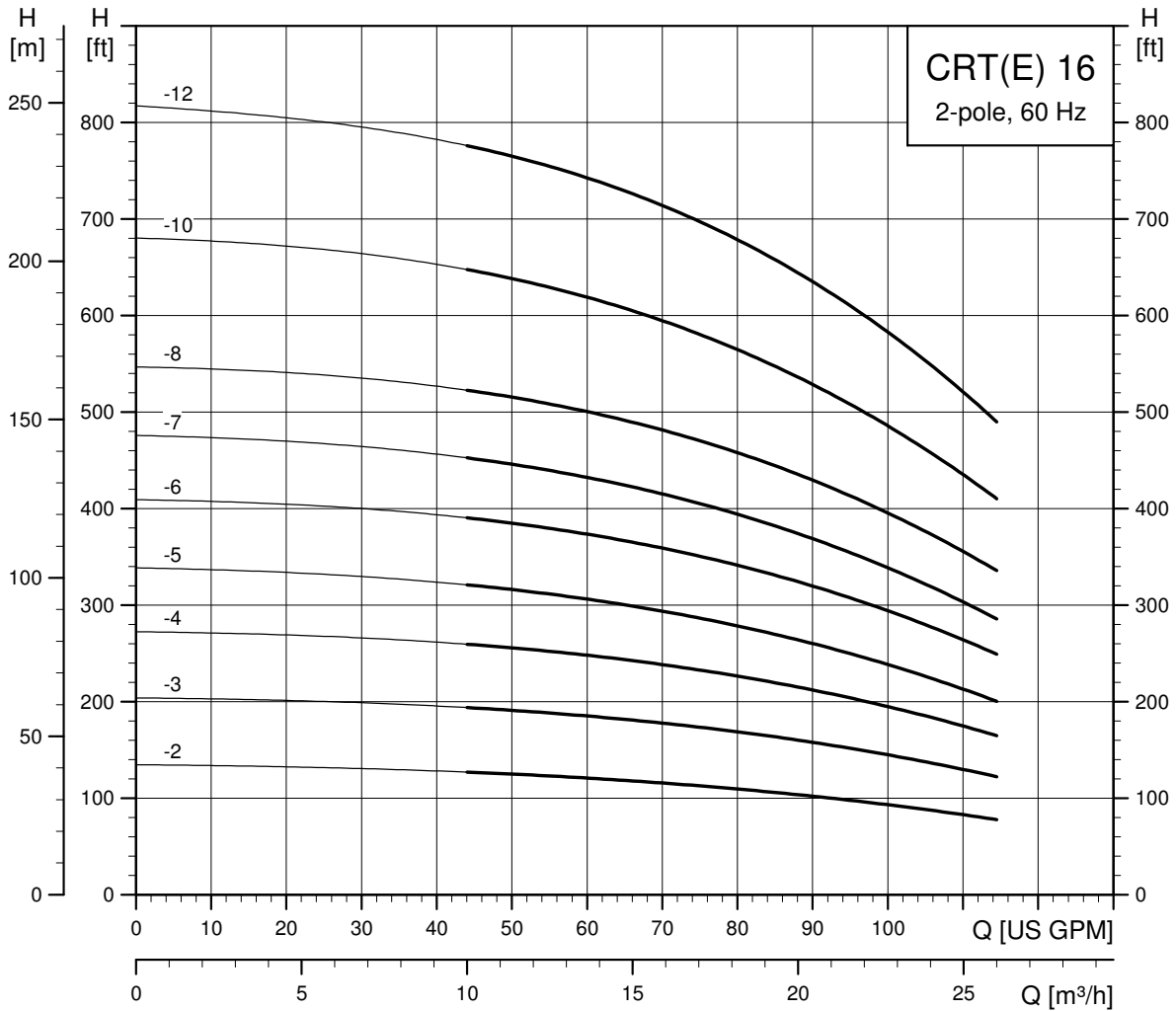
Dimensions and weights

Pump type	HP	Ph	Voltage	Frame size	CRT TEFC					CRTE MLE				
					B1	D1	D2	B1+B2	Net wt. [lb]	D1	D2	AG	B1+B2	Netwt. [lb]
Dimensions [inches]														
CRT, CRTE 8-1	3/4	1	115/208-230	56C	14.06	7.64	5.88	25.34	88	4.80	6.22	8.34	22.52	*
		3	208-230/460	56C	14.06	6.69	5.52	22.71	71	-	-	-	-	-
CRT, CRTE 8-2	2	1	115/208-230	56C	14.69	7.64	5.88	27.55	119	4.80	6.22	8.34	23.94	*
		3	208-230/460	56C	14.69	7.64	5.88	27.15	114	4.80	6.22	10.56	14.69	-
CRT, CRTE 8-3	3	1	115/208-230	182TC	17.05	9.45	8.06	33.52	174	-	-	-	-	-
		3	208-230/460	182TC	17.05	9.45	6.69	30.77	160	4.80	6.22	10.56	27.88	*
CRT, CRTE 8-4	5	1	115/208-230	182TC	17.24	9.45	8.06	33.71	176	-	-	-	-	-
		3	208-230/460	182TC	17.24	9.45	6.69	30.96	162	7.53	7.91	11.46	30.39	*
CRT, CRTE 8-5	5	1	208-230	213TC	19.61	10.96	8.41	38.92	256	-	-	-	-	-
		3	208-230/460	182TC	19.61	9.45	6.69	34.90	210	7.53	7.91	11.46	32.76	*
CRT, CRTE 8-6	5	1	208-230	213TC	19.61	10.96	8.41	38.92	260	-	-	-	-	-
		3	208-230/460	182TC	19.61	9.45	6.69	34.90	214	7.53	7.91	11.46	32.76	*
CRT, CRTE 8-8	7 1/2	1	208-230	213TC	25.59	10.96	8.41	44.90	278	-	-	-	-	-
		3	208-230/460	213TC	25.59	10.96	7.97	42.54	300	7.53	7.91	11.46	39.96	*
CRT, CRTE 8-10	10	1	208-230	213TC	25.59	10.96	8.41	44.90	137	-	-	-	-	-
		3	208-230/460	213TC	25.59	10.96	7.97	44.42	444	10.04	9.33	13.62	40.90	*
CRT, CRTE 8-12	10	1	208-230	213TC	30.31	10.96	8.41	49.62	364	-	-	-	-	-
		3	208-230/460	213TC	30.31	10.96	7.97	49.14	358	10.04	9.33	13.62	45.62	*
CRT, CRTE 8-14	15	3	208-230/460	254TC	31.50	13.18	9.45	50.31	531	10.04	9.33	13.62	47.48	*
CRT, CRTE 8-16		3	208-230/460	254TC	35.59	13.18	9.45	54.40	531	10.04	9.33	13.62	51.57	*

Dimensions shown for three-phase MLE motors are for 460 V versions. See page 13 for 200-240 V, three-phase dimensions.

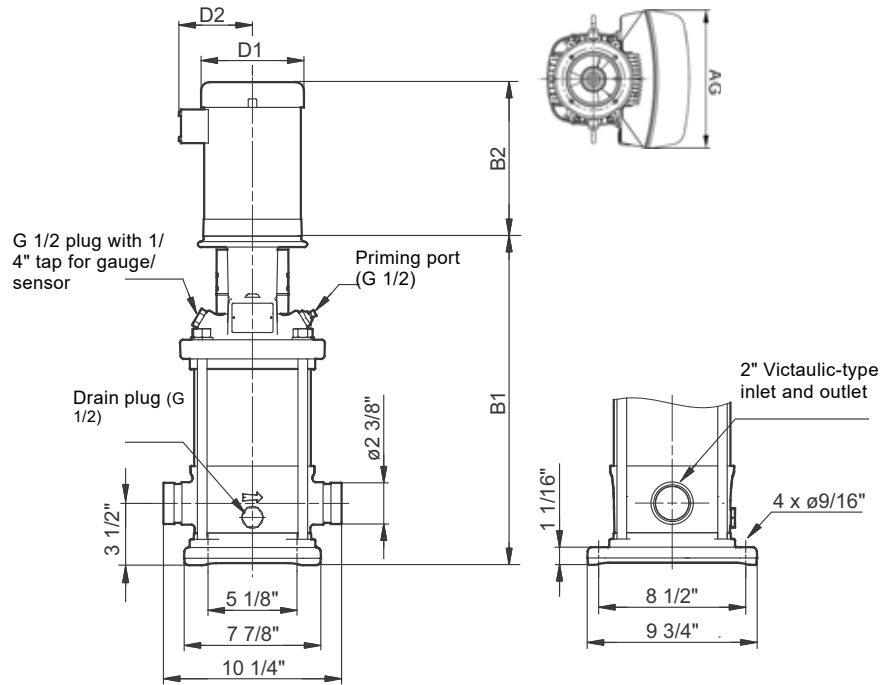
* Contact factory for weights.

CRT, CRTE 16



TM02 8333 0518

Dimensional sketches



TM07 0779 0518 - TM07 0758 0118

Dimensions and weights

Pump type	HP	Ph	Voltage	Frame size	CRT TEFC					CRTE MLE				
					Dimensions [inches]					Dimensions [inches]				
					B1	D1	D2	B1+B2	Net wt. [lb]	D1	D2	AG	B1+B2	Net wt. [lb]
CRT, CRTE 16-2	5	1	208-230	213TC	18.23	10.96	8.41	37.54	249	-	-	-	-	-
		3	208-230/460	182TC	18.23	9.45	6.69	33.52	234	7.53	7.91	11.46	31.38	*
CRT, CRTE 16-3	7 1/2	1	208-230	213TC	19.49	10.96	8.41	38.80	280	-	-	-	-	-
		3	208-230/460	213TC	19.49	10.96	7.97	36.44	265	7.53	7.91	11.46	33.86	*
CRT, CRTE 16-4	7 1/2	1	208-230	213TC	23.03	10.96	8.41	42.34	284	-	-	-	-	-
		3	208-230/460	213TC	23.03	10.96	7.97	39.98	269	7.53	7.91	11.46	37.40	*
CRT, CRTE 16-5	10	1	208-230	213TC	23.03	10.96	8.41	42.34	346	-	-	-	-	-
		3	208-230/460	213TC	23.03	10.96	7.97	41.86	340	10.04	9.33	13.62	38.34	*
CRT, CRTE 16-6	15	3	208-230/460	254TC	27.76	13.18	9.45	46.57	454	10.04	9.33	13.62	43.74	*
CRT, CRTE 16-7	15	3	208-230/460	254TC	27.76	13.18	9.45	46.57	459	10.04	9.33	13.62	43.74	*
CRT, CRTE 16-8	15	3	208-230/460	254TC	33.07	13.18	9.45	51.88	564	10.04	9.33	13.62	49.05	*
CRT, CRTE 16-10	20	3	208-230/460	182TC	33.07	9.45	6.69	48.36	498	13.39	12.13	16.54	51.85	*
CRT, CRTE 16-12	25	3	208-230/460	284TSC	40.55	14.17	11.08	64.13	758	13.39	12.13	16.54	63.27	*

Dimensions shown for three-phase MLE motors are for 460 V versions. See page 13 for 200-240 V, three-phase dimensions.

* Contact factory for weights.

11. Electrical data

Standard motors

Motors used in the CR pump range are:

- Grundfos-specified WEG motors
- Grundfos ML motors.

The information in the tables below applies to the following motor types and sizes:

Type	Phase	Motor range [HP]	Cooling method
WEG	1	1/3 - 10	TEFC
	3	1/3 - 30	TEFC
	3	15 - 30	ODP
ML	3	1/3 - 30	TEFC
MLE	1	1/2 - 2	TEFC
	3	1-30	TEFC

WEG motors 0.25 to 20 HP

- rolled steel construction
- service factor 1.15
- suitable for VFD operation per NEMA MG 1 part 31.4.4.2
- certified Class I Division 2, Groups A, B, C, D
- certified Class II, Division 2, Groups F, G (three phase only).

WEG motors 25 to 300 HP

- cast iron frame
- rated for severe duty
- service factor 1.25 (25 to 100 HP)
- service factor 1.15 (125 to 300 HP)
- Inverter rated per NEMA MG 1 part 31
- certified Class I Division 2, Groups A, B, C, D
- certified Class II, Division 2, Groups F, G (three phase only).

ODP motors

Open Drip Proof, constant speed

WEG motors

HP (kW)	Ph	Frame	Service factor	Voltage [V]	Motor eff. η [%]	Full-load current $I_{1/1}$ [A]	Service-factor current [A]	Starting current I_{start} [A]	Power factor $\cos \phi_{1/1}$	Speed [rpm]
15 (11)	3	254TC	1.15	208-230/460	90.2	38.0-34.4 / 17.2	38.0-39.6 / 19.8	258-234 / 117	0.89	3545
	3	254TC	1.15	575	90.2	14.1	16.2	106	0.87	3545
20 (15)	3	256TC	1.15	208-230/460	91.0	52.6-47.6 / 23.8	52.6-54.7 / 27.4	316-286 / 143	0.87	3525
	3	256TC	1.15	575	91.0	19	21.9	114	0.87	3525
25 (18.5)	3	284TSC	1.25	208-230/460	91.7	63.7-57.6 / 28.8	63.7-72 / 36	414-374 / 187	0.88	3535
	3	284TSC	1.25	575	91.7	23.3	29.1	154	0.87	3544
30 (22)	3	284TSC	1.25	208-230/460	91.7	77.4-70.0 / 35	77.4-87.5 / 43.8	488-441 / 221	0.86	3545
	3	284TSC	1.25	575	91.7	28	35.0	176	0.86	3550

Note: Motors with a nameplate stating 230/460 V are suitable for operation at 208 V.

Grundfos CR pumps are supplied with heavy-duty 2-pole, NEMA energy efficient C-frame motors built or selected to rigid Grundfos specifications. All CR pump motors have heavy-duty bearings for maximum thrust requirements.

We do not recommend to use an off-the-shelf standard WEG motor on a Grundfos pump. Ideally, the best motor choice would be the Grundfos specified motor. Three-phase Grundfos-specified motors are NEMA Premium Efficiency (EISA compliant).

Single-phase Grundfos specified motors up to 7 1/2 HP have a built-in thermal overload switch.

Other motor types are available, such as Explosion-proof, inverter-duty, IEEE 841, and more. Contact your local Grundfos company for more information.

Motor dimensions and data on pumps supplied by Grundfos Canada may vary. Contact your local Grundfos company for more information.

All values are subject to change without notice.

TEFC motors

Totally Enclosed Fan Cooled, constant speed

WEG motors



TM07 7440 3820

HP (kW)	Ph	Frame	Service factor	Voltage [V]	Motor eff. η [%]	Full-load current $I_{1/1}$ [A]	Service-factor current [A]	Starting current I_{start} [A]	Power factor $\cos \phi_{1/1}$	Speed [rpm]
1/3 (0.25)	1	56C	1.15	115/208-230	54.0	5.2 / 2.87-2.6	5.98 / 2.87-2.99	36.4 / 20.1-18.2	0.76	3490
	3	56C	1.15	208-230/460	72.0	1.31-1.15 / 0.57	1.31-1.32 / 0.66	9.30-8.17 / 4.05	0.70	3450
	3	56C	1.15	575	72.0	0.458	0.53	3.25	0.76	3450
1/2 (0.37)	1	56C	1.15	115/208-230	60.0	7 / 3.87-3.5	8.05 / 3.87-4.03	56 / 31.0-28	0.76	3490
	3	56C	1.15	208-230/460	74.0	1.73-1.57 / 0.78	1.73-1.81 / 0.9	13.3-12.1 / 6.01	0.80	3435
	3	56C	1.15	575	74.0	0.627	0.72	4.83	0.80	3435
3/4 (0.55)	1	56C	1.15	115/208-230	66.0	8 / 4.42-4	9.2 / 4.42-4.6	64 / 35.4-32	0.91	3500
	3	56C	1.15	208-230/460	77.0	2.48-2.24 / 1.12	2.48-2.58 / 1.29	20.1-18.1 / 9.07	0.80	3440
	3	56C	1.15	575	77.0	0.896	1.03	7.26	0.80	3440
1 (0.75)	1	56C	1.15	115/208-230	70.0	10.1 / 5.64-5.06	11.6 / 5.64-5.82	84.8 / 47.4-42.5	0.92	3500
	3	56C	1.15	208-230/460	78.5	3.32-3.0 / 1.5	3.32-3.45 / 1.73	29.2-26.4 / 13.2	0.80	3435
	3	56C	1.15	575	78.5	1.2	1.38	10.6	0.80	3435
1 1/2 (1.1)	1	56C	1.15	115/208-230	75.0	13.2 / 7.3-6.6	15.2 / 7.3-7.59	106 / 58.4-52.8	0.97	3500
	3	56C	1.15	208-230/460	84.0	4.14-3.74 / 1.87	4.14-4.3 / 2.15	37.7-34.0 / 17.0	0.88	3520
	3	56C	1.15	575	84.0	1.5	1.73	13.7	0.88	3520
2 (1.5)	1	56C	1.15	115/208-230	77.0	17.5 / 9.62-8.73	20.1 / 9.62-10	137 / 75.0-68.1	0.97	3495
	3	56C	1.15	208-230/460	85.5	5.46-4.94 / 2.47	5.46-5.68 / 2.84	54.1-48.9 / 24.5	0.89	3520
	3	56C	1.15	575	85.5	1.98	2.28	19.6	0.89	3520
3 (2.2)	1	182TC	1.15	115/208-230	80.0	24.2 / 19.7-12.1	27.8 / 19.7-13.9	169 / 138-84.7	0.99	3510
	3	182TC	1.15	208-230/460	86.5	8.12-7.34 / 3.67	8.12-8.44 / 4.22	71.5-64.6 / 32.3	0.87	3515
	3	182TC	1.15	575	86.5	2.94	3.38	25.9	0.87	3515
5 (4)	1	184TC	1.15	208-230	84.0	31.7-19.5	31.7-22.4	254-156	0.98	3515
	3	184TC	1.15	208-230/460	88.5	13.1-11.8 / 5.9	13.1-13.6 / 6.79	102-92.0 / 46.0	0.89	3500
	3	184TC	1.15	575	88.5	4.72	5.43	36.8	0.89	3500
7 1/2 (5.5)	1	213TC	1.15	208-230	84.0	31.7-38.8	31.7-44.6	225-275	0.99	3515
	3	213TC	1.15	208-230/460	89.5	19.2-17.3 / 8.67	19.2-19.9 / 9.97	33.3-131 / 65.9	0.89	3530
	3	213TC	1.15	575	89.5	6.94	7.98	52.7	0.89	3530
10 (7.5)	1	215TC	1.15	208-230	86.5	42.5-38.1	42.5-43.8	306-274	0.99	3510
	3	215TC	1.15	208-230/460	90.2	25.4-23.0 / 11.5	25.4-26.5 / 13.2	191-173 / 86.3	0.91	3530
	3	215TC	1.15	575	90.2	9.2	10.6	69	0.91	3530
15 (11)	3	254TC	1.15	208-230/460	91.0	37.6-34.0 / 17	37.6-39.1 / 19.6	308-279 / 139	0.89	3520
	3	254TC	1.15	575	91.0	13.9	16.0	114	0.89	3520
	3	256TC	1.15	208-230/460	91.0	50.2-45.4 / 22.7	50.2-52.2 / 26.1	331-300 / 150	0.91	3515
20 (15)	3	256TC	1.15	575	91.0	18.2	20.9	120	0.91	3515
	3	284TSC	1.25	208-230/460	91.7	63-57.0 / 28.5	63-71.3 / 35.6	397-359 / 180	0.89	3535
	3	284TSC	1.25	575	91.7	23	28.8	145	0.88	3545
25 (18.5)	3	286TSC	1.25	208-230/460	91.7	73.8-67.6 / 33.8	73.8-84.5 / 42.3	465-426 / 213	0.89	3535
	3	286TSC	1.25	575	91.7	27	33.8	170	0.89	3540
	3	286TSC	1.25	575	91.7	27	33.8	170	0.89	3540

Note: Motors with a nameplate stating 230/460 V are suitable for operation at 208 V.

Totally Enclosed Fan Cooled, constant speed

Grundfos ML motors



Gr7848sh



GR 7845



TM04 2512 2708

HP (kW)	Ph	Frame	Service factor	Voltage[V]	Motor eff. η [%]	Full-load current $I_{1/1}$ [A]	Service-factor current [A]	Starting current I_{start} [A]
1/3 (0.25)	3	56C	1.35	208-230/460	78.5	1.12 - 1.1 / 0.55	1.5 - 1.45 / 0.75	7.1 - 7.7 / 3.9
1/2 (0.37)	3	56C	1.25	208-230/460	78.5	1.64 - 1.55 / 0.78	2.0 - 1.9 / 0.95	9.7 - 10.1 / 5.1
3/4 (0.55)	3	56C	1.25	208-230/460	79.0	2.4 - 2.3 / 1.2	2.9 - 2.75 / 1.4	14.2 - 15 / 7.8
1 (0.75)	3	56C	1.25	208-230/460	80.0	3.25 - 3.35 / 1.68	4.0 - 3.9 / 1.95	19.2 - 21.8 / 10.9
1 1/2 (1.1)	3	56C	1.15	208-230/460	84.0	4.7 - 4.6 / 2.3	5.2 - 5.1 / 2.55	33.8 - 36.8 / 18.4
2 (1.5)	3	56C	1.15	208-230/460	85.5	5.7 - 5.4 / 2.7	6.55 - 6.1 / 3.05	46.2 - 48.6 / 24.3
3 (2.2)	3	182TC	1.15	208-230/460	86.5	8.35 - 7.50 / 3.75	9.10 - 8.15 / 4.10	86.8 - 78.0 / 39.0
5 (4)	3	182TC	1.15	208-230/460	88.5	14.1 - 13.1 / 7.29	16.2 - 15.0 / 8.4	207 - 193 / 107
7 1/2 (5.5)	3	213TC	1.15	208-230/460	89.5	19.5 - 18.1 / 9.09	22.4 - 20.8 / 10.4	289 - 267 / 135
10 (7.5)	3	215TC	1.15	208-230/460	90.2	26.5 - 24.6 / 12.4	29.0 - 27.0 / 13.6	261-243 / 123
15 (11)	3	254TC	1.15	208-230/460	91.0	37.5 - 34 / 17	41.0 - 37.5 / 18.6	369-338 / 168
20 (15)	3	254TC	1.15	208-230/460	91.0	50.5 - 46 / 23	55.5 - 50.5 / 25.5	450-410 / 207
25 (18.5)	3	284TSC	1.15	230/460	91.7	62.0 - 56 / 28	68.0 - 61.5 / 31.0	510-462 / 233
30 (22)	3	286TSC	1.15	230/460	91.7	74.0 - 67.0 / 33.5	81.5 - 73.5 / 37.0	595-537 / 271

Note: Motors with a nameplate stating 230/460 V are suitable for operation at 208 V.

MLE motors



TM06 9830 0817

2 pole

HP	Voltage [V]	Phase	NEMA frame size	Service Factor	Motor full-load efficiency [%]	Full-load current amps** [A]	Service-factor current amps [A]	Power factor	Full-load speed [rpm]	Sound pressure level [dB(A)]
1/2 ¹⁾	200-240	1	56C	1	84*	2.40 - 2.10	-	0.96	3400	58
3/4 ¹⁾	200-240	1	56C	1	85.3*	3.45 - 2.90	-	0.98	3400	58
1 ¹⁾	200-240	1	56C	1	85.2*	4.70 - 3.90	-	0.99	3400	58
	440-480	3	56C	1.25	86.4*	1.65	2.10	0.73	3480	58
1 1/2 ¹⁾	200-240	1	56C	1	86.9*	6.70 - 5.60	-	0.99	3400	58
	200-240	3	56C	1.15	89.3*	4.00 - 3.40	4.60 - 3.90	0.91	3480	55
	440-480	3	56C	1.15	89.6*	2.05	2.40	0.84	3480	58
2 ¹⁾	200-240	1	56C	1	87.4*	9.10 - 7.60	-	0.99	3400	64
	200-240	3	56C	1.00	88.90*	5.40 - 4.50	-	0.92	3480	55
	440-480	3	56C	1.15	89.4*	2.65	3.00	0.87	3480	64
3 ¹⁾	200-240	3	182TC	1.15	88.70*	7.90 - 6.60	9.10 - 7.60	0.94	3480	62
	440-480	3	182TC	1.15	90.7*	3.8	4.30	0.89	3480	64
5 ¹⁾	200-240	3	182TC	1.15	90.90*	13.2 - 10.9	14.90 - 12.40	0.94	3480	66
	440-480	3	182TC	1.15	92.5*	6.20 - 5.80	7.00 - 6.60	0.90	3500	60
7 1/2 ¹⁾	200-240	3	213TC	1.15	90.20*	20.0 - 16.6	23.0 - 19.3	0.94	3480	70
	440-480	3	213TC	1.15	92.4*	9.10 - 8.50	10.4 - 9.70	0.91	3500	60
10 ¹⁾	440-480	3	213TC	1.15	92.5*	12.4 - 11.5	14.2 - 13.0	0.91	3500	65
15 ¹⁾	440-480	3	254TC	1.15	93.2*	17.9 - 16.6	20.5 - 19.0	0.92	3500	65
20 ²⁾	460-480	3	256TC	1.15	91	24.00	27.50	0.89	3540	68
25 ²⁾	460-480	3	284TC	1.15	91.7	30.50	35.00	0.88	3540	70
30 ²⁾	460-480	3	286TC	1.15	91.7	36.50	42.00	0.88	3540	70

1) Permanent-magnet motor
 2) Asynchronous motor
 * Efficiency of motor and VFD
 ** At 460 V for 460-480 V motors

12. Accessories

Remote controls

Grundfos GO Remote

Grundfos GO Remote is used for wireless infrared or radio communication with the pumps.

Various Grundfos GO Remote variants are available. The variants are described in the following.

MI 204

MI 204 is an add-on module with built-in infrared and radio communication. MI 204 can be used in conjunction with an Apple iPhone or iPod with Lightning connector, such as fifth generation iPhone or iPod.

(MI 204 is also available together with an Apple iPod touch and a cover.)



Fig. 51 MI 204

Supplied with the product:

- Grundfos MI 204
- sleeve
- quick guide
- charger cable.

TM05 7704 1513

MI 301

MI 301 is a module with built-in infrared and radio communication. MI 301 can be used in conjunction with Android or iOS-based smart devices with Bluetooth connection. MI 301 has a rechargeable Li-ion battery and must be charged separately.



TM05 3890 1712

Fig. 52 MI 301

Supplied with the product:

- Grundfos MI 301
- sleeve
- battery charger
- quick guide.

Product numbers

Grundfos GO Remote variant	Product number
Grundfos MI 204	98424092
Grundfos MI 204 including iPod touch	98612711
Grundfos MI 301	98046408

CIU communication interface units



GrA 6118

Fig. 53 Grundfos CIU communication interface unit

The CIU units enable communication of operating data, such as measured values and setpoints, between CRE, CRIE, CRNE pumps and a building management system. The CIU unit incorporates a 24-240 VAC/VDC power supply module and a CIM module. It can either be mounted on a DIN rail or on a wall.

We offer the following CIU units:

CIU 100

For communication via LonWorks.

CIU 150

For communication via PROFIBUS DP.

CIU 200

For communication via Modbus RTU.

CIU 250

For wireless communication via GSM/GPRS.

CIU 271

For communication via Grundfos Remote Management (GRM).

CIU 300

For communication via BACnet MS/TP.

Description	Fieldbus protocol	Product number
CIU 100	LonWorks	96753735
CIU 150	PROFIBUS DP	96753081
CIU 200	Modbus RTU	96753082
CIU 250*	GSM/GPRS	96787106
CIU 271*	GRM	96898819
CIU 300	BACnet MS/TP	Contact Grundfos

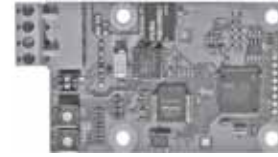
* Antenna is not included. See below.

Antennas for CIU 250 and 270

Description	Product number
Antenna for roof	97631956
Antenna for desk	97631957

For further information about data communication via CIU units and fieldbus protocols, see the CIU documentation available on www.grundfos.com (Grundfos Product Center).

CIM communication interface modules



GrA 6121

Fig. 54 Grundfos CIM communication interface module

The CIM modules enable communication of operating data, such as measured values and setpoints, between CRE, CRIE or CRNE pumps of 11-22 kW and a building management system. The CIM modules are add-on communication modules which are fitted in the terminal box of CRE, CRIE, CRNE pumps of 11-22 kW. Note that CIM modules must be fitted by authorised persons.

We offer the following CIM modules:

CIM 100

For communication via LonWorks.

CIM 150

For communication via PROFIBUS DP.

CIM 200

For communication via Modbus RTU.

CIM 250

For wireless communication via GSM/GPRS.

CIM 271

For communication via Grundfos Remote Management (GRM).

CIM 300

For communication via BACnet MS/TP.

Description	Fieldbus protocol	Product number
CIM 100	LonWorks	96824797
CIM 150	PROFIBUS DP	96824793
CIM 200	Modbus RTU	96824796
CIM 250*	GSM/GPRS	96824795
CIM 271*	GRM	96898815
CIM 300	BACnet MS/TP	Contact Grundfos

* Antenna is not included. See below.

Antennas for CIM 250 and 270

Description	Product number
Antenna for roof	97631956
Antenna for desk	97631957

For further information about data communication via CIM modules and fieldbus protocols, see the CIM documentation available on www.grundfos.com (Grundfos Product Center).

Pipe connection

PJE couplings for CRT, CRTE

A set includes one coupling, one gasket, one pipe stub and bolts and nuts.

Pump type	Pipe stub	Pressure rating [psi (bar)]	Pipe connection	Number of coupling sets needed	Material number	
					EPDM	FKM
CRT, CRTE 2 and 4	Threaded	1015 (70)	1.25" NPT	2	415522	91134571
	For welding	1015 (70)	1.25"	2	415521	415539
CRT, CRTE 8 and 16	Threaded	1015 (70)	2" NPT	2	336924	91134572
	For welding	1015 (70)	2"	2	425934	425952

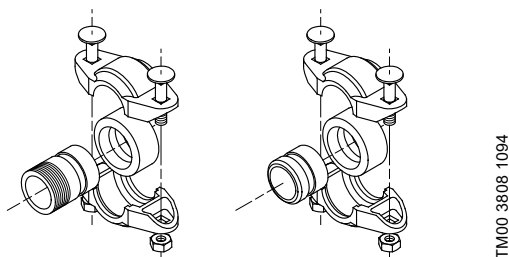


Fig. 55 PJE couplings

ANSI flange adapter for CRT, CRTE

For pipe connection, Grundfos can offer an ANSI flange adapter set.

A set includes one flange adapter and one gasket, two sets are normally required. The set does not include connection nuts and bolts. Four 5/8 x 3" bolts and nuts are required for each adapter set.

Pump type	Pipe connection	EPDM
CRT, CRTE 8 and 16	ANSI 2" 150 lb	91122697

13. Variants

Lists of variants - on request

Although the Grundfos CRT, CRTE product range offers a number of pumps for different applications, customers require specific pump solutions to satisfy their needs.

Below please find the range of options available for customizing the CRT, CRTE pumps to meet the customers' demands.

Contact Grundfos for further information or for requests other than the ones mentioned below.

Motors

Variant	Description
Explosion-proof (including ATEX approved)	For operation in hazardous atmospheres, explosion-proof or dust-ignition-proof motors may be required.
Motors with anti-condensation heating unit	For operation in humid environments motors with built-in anti-condensation heating may be required.
Efficiency class	Premium efficiency
Integrated variable speed drive	All Grundfos CRT pumps 30 HP and below are available as standard with integrated variable speed drive (type MLE) motors.
Oversized motors	Ambient temperatures above +104 °F (+40 °C) or installation at altitudes of more than 3,300 ft (1005 m) above sea level require the use of oversized motors (that is derating).
4-pole motors	Grundfos offers standard motors fitted with 4-poles.
Different enclosure class	As standard, Grundfos can supply: <ul style="list-style-type: none"> • ODP: open drip-proof • TEFC: total-enclosed fan-cooled On request, we can supply: <ul style="list-style-type: none"> • Chemical processing/mill and chem duty • Washdown duty (Up through 10 HP only)

Shaft seals

Variant	Description
Shaft seal with FKM or FFKM O-ring material	Shaft seals with FKM or FFKM o-ring material are recommended for applications where the pumped liquid may damage the standard O-ring material.
Shaft seal with SiC/ SiC	Grundfos offers shaft seals with silicon carbide/ silicon carbide (SiC/SiC).

Pumps

Variant	Description
Horizontally mounted pumps	For safety or height reasons, certain applications, for instance on ships, require the pumps to be mounted in the horizontal position. For easy installation, the pumps are equipped with brackets that support the motor and pump.
Belt-driven pumps	Belt-driven pumps designed to operate in places with limited space or where no electrical power is available.

CRT, CRTE

Vertical multistage centrifugal pumps

Company name: _____
 Prepared by: _____
 Phone number: () _____
 Fax number: () _____
 Date: _____ Page 1 of: _____
 Quote number: _____

Client information

Project title: _____ Client name: _____
 Reference number: _____ Client number: _____
 Client contact: _____ Client phone number: () _____

Location information

For: _____ Unit: _____
 Site: _____ Service: _____
 Address: _____ City: _____ State: _____ Zip code: _____

Application information

Operating conditions			Pumped fluid			
	Max.	Norm.	Min.	Fluid type:		
				Rated	Max.	Norm.
Capacity (gpm)				Fluid temperature (°F)		
Inlet (suction) pressure (psig)				at designated temperature		
Outlet (discharge) pressure (psig)				Specific gravity		
Differential head (ft)				Vapor pressure (psia)		
Hydraulic power (HP) at designated capacity				Viscosity (cp)		
NPSH available (ft)				Fluid ph:	Chlorides (ppm):	

Service

Continuous _____ Hazardous: _____ Corrosion/Erosion caused by: _____
 Intermittent (starts/day): _____ Flammable: _____
 Other: _____

Pump information

Model Information from type key and codes: -----> (Example: CR 5-10 A-FGJ-A-E-HQQE)
 Quantity required: _____
 Minimum required flow rate: _____ NPSH required at duty point: _____

Data booklet additional information pages

Materials page number: _____ Performance curve page number: _____
 Technical data page number: _____ Motor data page number: _____

Motor Information

HP: _____ Phase: _____ Voltage: _____ Enclosure: _____

Custom-built pump information (optional):

Additional information

14. Quotation text

CRT, CRTE

Vertical, non-self-priming, multistage, in-line, centrifugal pump for installation in pipe systems and mounting on a foundation.

The pump has the following characteristics:

- impellers and intermediate chambers are made of AISI _____ Stainless Steel
 - Pump head and base are made of _____
 - Power transmission is via cast iron split coupling.
 - pipe connections is via _____
- The motor is a _____-phase AC motor.

Technical

Rated flow rate: _____ GPM
 Rated head: _____ Feet
 Minimum liquid temperature: _____ °F
 Maximum liquid temperature: _____ °F
 Type of shaft seal: _____

Materials

Material, pump housing: _____
 Material, shaft: AISI _____ Stainless Steel
 Material, impeller: AISI _____ Stainless Steel
 Material, sleeve: AISI _____ Stainless Steel
 Material, seal metal: AISI _____ Stainless Steel

- seal face: _____
- seal face: _____
- seal elastomer: _____

Installation

Maximum ambient temperature: _____ °F
 Max. pressure at stated temp: _____ PSI/ °F
 Standard, pipe connection: _____
 Size, pipe connection: _____
 Rated pressure, pipe connection: _____ PSI
 Frame size for motor: _____ NEMA

Electrical data

Motor type: _____
 Rated power (P2): _____ HP
 Frequency: _____ Hz
 Rated voltage: _____ V
 Rated current: _____ A
 Service factor: _____
 Starting current: _____ A
 Rated speed: _____ RPM
 Full-load motor efficiency: _____ %
 Insulation class: _____

Additional

Gross weight: _____ l.bs.
 Shipping volume: _____
 Model: _____

15. Grundfos Product Center

Online search and sizing tool to help you make the right choice.
<http://product-selection.grundfos.com>

All the information you need in one place

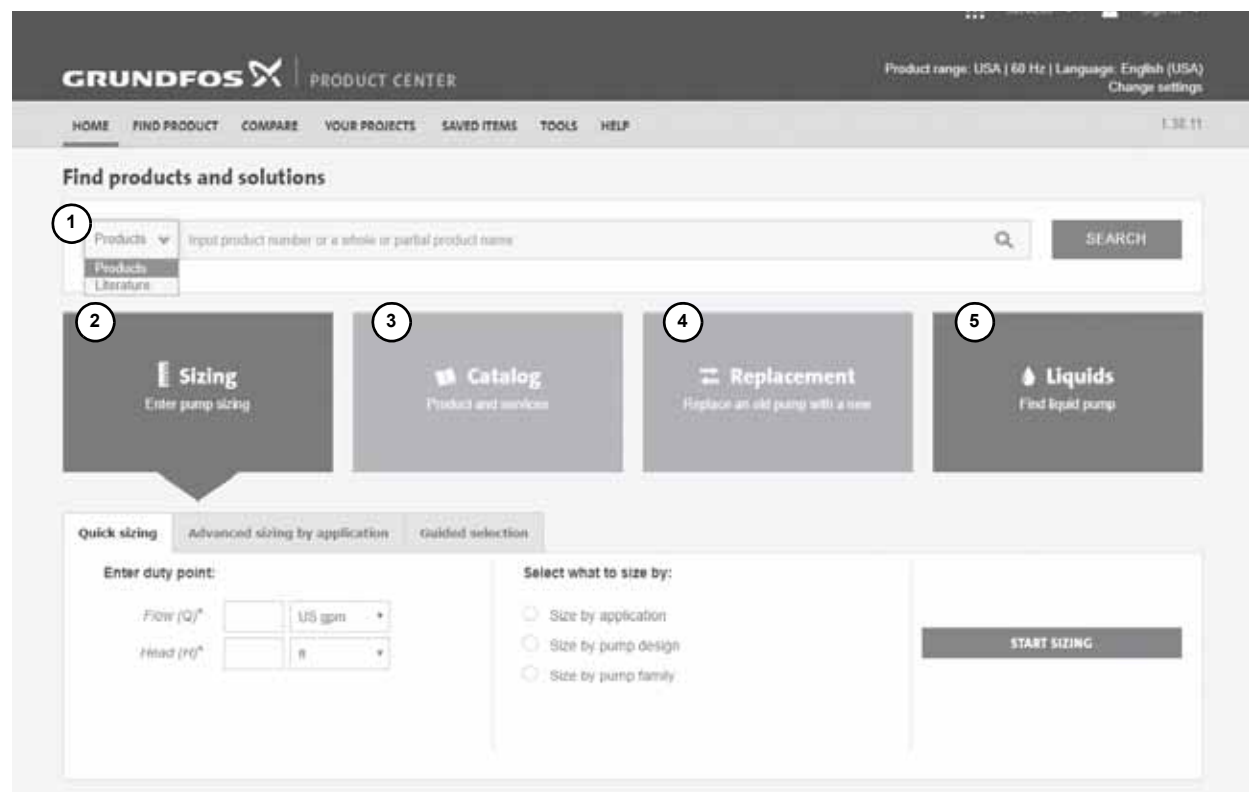
Performance curves, technical specifications, pictures, dimensional drawings, motor curves, wiring diagrams, spare parts, service kits, 3D drawings, documents, system parts. The Product Center displays any recent and saved items - including complete projects - right on the main page.



TM07 2384

Downloads

On the product pages, you can download installation and operating instructions, data booklets, service instructions, etc. in PDF format.



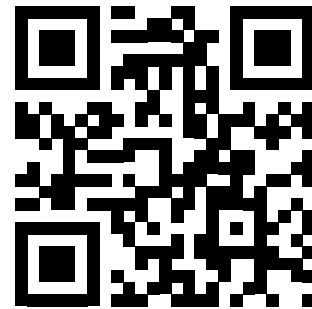
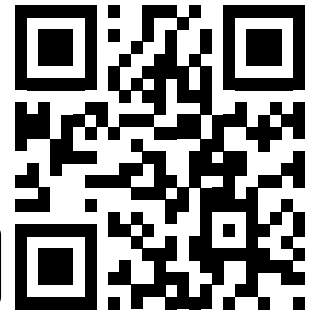
TM07 2383

Pos.	Description
1	This drop-down menu enables you to set the search function to "Products" or "Literature".
2	SIZING enables you to size a pump based on entered data and selection choices.
3	CATALOGUE gives you access to the Grundfos product catalogue. REPLACEMENT enables you to find a replacement product. Search results will include information on
4	<ul style="list-style-type: none"> the lowest purchase price the lowest energy consumption the lowest total life cycle cost.
5	LIQUIDS enables you to find pumps designed for aggressive, flammable or other special liquids.

Grundfos GO

Mobile solution for professionals on the GO!

Grundfos GO is the mobile tool box for professional users on the go. It is the most comprehensive platform for mobile pump control and pump selection including sizing, replacement and documentation. It offers intuitive, handheld assistance and access to Grundfos online tools, and it saves valuable time for reporting and data collection.



99401478 10.2020

ECM: 1296139

Grundfos Kansas City

9300 Loiret Boulevard
Lenexa, Kansas 66219
Phone: 913-227-3400
Fax: 913-227-3500
www.grundfos.us

Grundfos Canada

2941 Brighton Road
Oakville, Ontario L6H 6C9 Canada
Phone: +1-905-829-9533
Fax: +1-905-829-9512
www.grundfos.ca

Grundfos México

Boulevard TLC No. 15
Parque Industrial Stiva Aeropuerto
C.P. 66600 Apodaca, N.L. Mexico
Phone: 011-52-81-8144 4000
Fax: 011-52-81-8144 4010
www.grundfos.mx