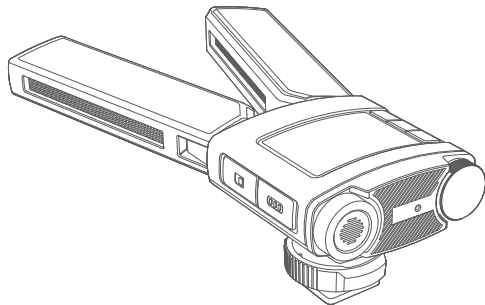


合格证  
QC PASS

Godox



Wechat  
Official Account  
神牛微信公众号

**深圳市神牛摄影器材有限公司**

地址: 深圳市宝安区福海街道塘尾社区福川工业区厂房2栋 电话: 0755-29609320(8062)  
传真: 0755-25723423 邮箱: godox@godox.com

**GODOX Photo Equipment Co., Ltd.**

Add.: Building 2, Yaochuan Industrial Zone, Tangwei Community, Fuhai Street, Bao'an District,  
Shenzhen 518103, China Tel: +86-755-29609320(8062) Fax: +86-755-25723423  
E-mail: godox@godox.com

[www.godox.com](http://www.godox.com)

Made in China | 705-YVMS30-00



**IVM-S3**

**立体声机顶麦克风**  
Stereo On-camera Microphone

**使用手册**  
Instruction Manual

## 前言

感谢购买神牛产品！

IVM-S3 是一款可固定在手机和相机上录音的麦克风，适用于摄影、采访、派对、音乐现场、小视频拍摄等场景。使用本产品之前，请仔细阅读说明书，以便正确操作及使用。

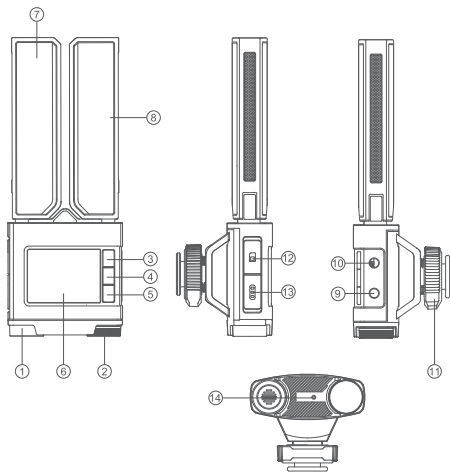
## 主要特点：

- ① 心型指向，有效降低周围环境噪音；
- ② 拾音角度灵活可调：0°/30°/90°，支持前后180°拾音；
- ③ 一键即可开启低切功能；
- ④ 增益旋钮，方便快捷调节拾音灵敏度；
- ⑤ 内置锂电池，长效续航；
- ⑥ 1/4"通用冷靴接口；
- ⑦ 支持实时监听；

## 警告

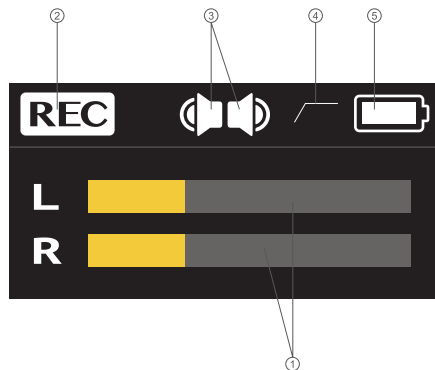
- ⚠ 麦克风是精密设备。请勿使其掉落或受到撞击，以避免发生故障。
- ⚠ 请勿私自拆卸、改装或尝试维修本产品。产品如出现故障须由本公司或授权的维修人员进行检查维修。
- ⚠ 请保持干燥，请勿用湿手握持本产品，亦不可将产品浸入水中或暴露于雨中。
- ⚠ 请勿将本产品存放在阳光直射的地方、加热装置附近或者炎热、潮湿或多尘的地方。
- ⚠ 请勿让儿童接触本产品，以避免发生意外。
- ⚠ 请勿在易燃易爆环境使用。在这些场合下，请注意相关警告标识。
- ⚠ 请勿放置在超过45度的高温环境中。
- ⚠ 请仔细阅读并遵守由厂商提供的警告或指示。

## 产品结构



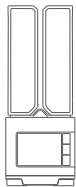
1. 内置咪头 1
2. 增益旋钮
3. 开关/低切键
4. 前后音键
5. 录音键
6. OLED显示屏
7. 内置咪头 2
8. 内置咪头 3
9. 3.5mm音频输出接口
10. 3.5mm耳机监听孔
11. 1/4" 冷靴
12. TF卡槽
13. Type-C充电接口
14. 复位孔

## OLED显示屏

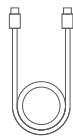


1. LR声纹条（随着声音大小而变化，黄色区域为正常拾音大小，红色区域为声音过载）
2. 录音图标
3. 前后音模式图标
4. 低切图标
5. 电量图标

## 标配物品



麦克风 ×1



Type-C充电线 ×1



3.5mm TRS 转 TRS 音频连接线 ×1



3.5mm TRS 转 TRRS 音频连接线 ×1



防风兔毛 ×3



说明书 ×1

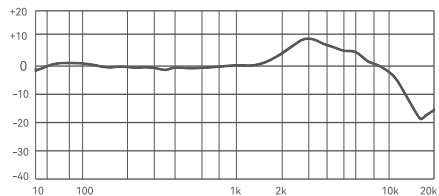
### 温馨提示:

说明书中的图片均为示意图, 仅供参考。由于产品不断更新与升级, 产品实物与图片可能存在差异, 请以实物为准。

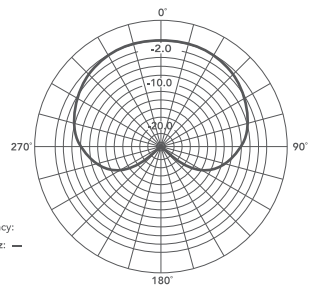
## 频率响应及指向性

### 频率响应

[dB/1V/Pa]



### 指向性



## 使用说明

### 1. 开关/低切键

长按3秒开/关机，显示屏亮起/熄灭，短按开启/关闭低切功能。

### 2. 前后音键

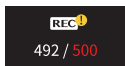
短按一次前后音键，开启前后拾音，再次短按关闭前后拾音。

### 3. 录音键

短按开启/关闭录音功能，文件结束存储。音频文件默认30分钟时长为一个文件，没有30分钟按30分钟文件存储，超过30分钟文件自动跳转到下个文件内存储。当开始录制到结束录制以30分钟的倍数叠加存储。

注：

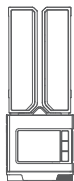
1. 此产品最多只能录制500个文件，满490个文件后主界面会提示491/500，当到达500/500时停止录制，需要依次删除排序最大的文件才能继续录制，即先删除第500个，再删除第499个，以此类推。
2. 内存卡小于1G后主界面会弹窗提示，间隔10mins/次，小于500M后如在录制中则会自动停止录制文件。
3. 单次可录制100个文件，显示1-100，超过变为2-1。
4. 使用内录时增益为默认值，无低切效果，黄色感叹号表示将满500个文件/内存不足1G，红色感叹号表示内存已满，无法继续录制。



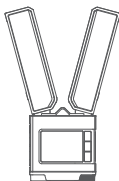
### 4. 增益旋钮

向左旋转增益逐渐减小，向右旋转增益逐渐增大，增益调节范围1-10。

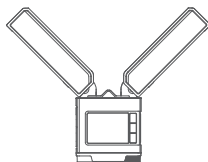
### 5. 拾音角度说明



0°立体声心形指向  
(支持打开前后拾音)  
180°前后拾音



30°立体声心形指向  
(支持打开前后拾音)



90°立体声心形指向  
(支持打开前后拾音)

### 6. Type-C接口充电

通过Type-C接口连接数据线，默认进入充电模式。

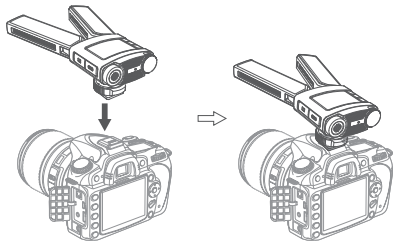
注：

在充电期间机器可以正常工作，录音备份受影响。机器中插入TF卡，连接电脑后短按开关键可弹出U盘；但倘若机器正在录音，连接电脑后再短按开关键，则无法弹出U盘。

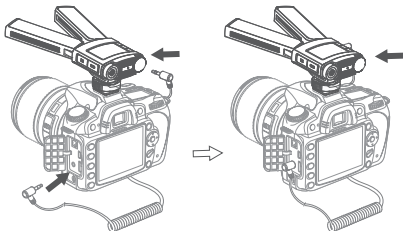
## 安装说明

### 1. 连接相机

- 1.1 先将麦克风风冷靴接口的固定环顺时针拧松，然后插入相机冷靴座中，再逆时针拧紧固定环。

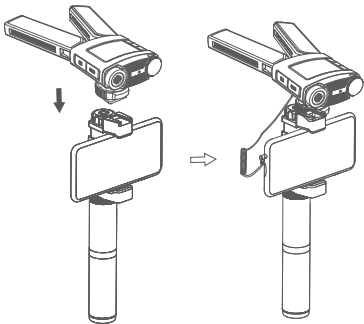


- 1.2 将3.5mm TRS-TRS音频连接线的一端连接到麦克风机身的接口上, 另一端连接到相机的麦克风输入接口。



## 2. 连接手机

- 2.1 先将麦克风冷靴接口的固定环顺时针拧松, 然后插入手机支架的冷靴座中, 再逆时针拧紧固定环。
- 2.2 将3.5mm TRS-TRRS音频连接线的一端连接到麦克风机身的接口上, 另一端连接到手机的麦克风输入接口。



## 规格参数

型号	IVM-S3
指向性	心型指向
频率范围	50Hz-20KHz
灵敏度	-38dB±2dB
最大SPL	>100dB
信噪比	>70dB
输出阻抗	600Ω
锂电池参数	3.8V, 470mAh, 1.786Wh
Type-C输入参数	5.0V/0.3A
拾音距离	2m
续航时间	录音状态约12小时, 正常工作状态约15小时
工作环境温度	-10°C~+45°C
尺寸	139x53x45mm
净重	103g

\* 规格和参数如有变更, 恕不另行通知。

## 维护保养

**避免跌落:** 如果受到强烈碰撞或振动, 设备可能会发生故障。

**保持干燥:** 本产品是非防水产品, 如果将其浸入水中或放置于高湿度的环境中将可能发生故障。内部构造生锈可能会导致无法修理的损害。

**避免温度骤变:** 温度的突变, 诸如在寒冷天进出温暖的大楼将可能会使产品内部结露。为避免结露, 请将本产品事先装入手提袋或塑料包内, 以防温度突变。

**远离强磁场:** 无线电广播发射机等设备产生的强静电或强磁场可能会干扰本产品正常工作。

如有技术更改, 恕不另行通知。

## Foreword

Thank you for purchasing!

I VM-S3 is a microphone mountable on smartphones and cameras for recording in various scenes such as shooting, interview, party, music show, small video recording etc.

Please read this manual carefully before using to make sure the correct operation and exert the optimum function.

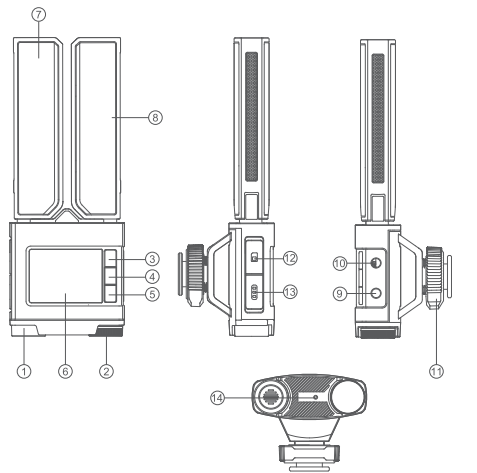
## Main Features

- ① Cardioid directivity, effectively reduce the surrounding noise.
- ② Adjustable pickup angles: 0°/30°/90°, support 180° pickup from both front and back microphones.
- ③ Equipped with low cut function.
- ④ Gain adjustment dial conveniently adjust pick up sensitivity.
- ⑤ Built-in lithium battery provides long run time.
- ⑥ 1/4" universal cold shoe port.
- ⑦ Support real-time monitoring.

## Warning

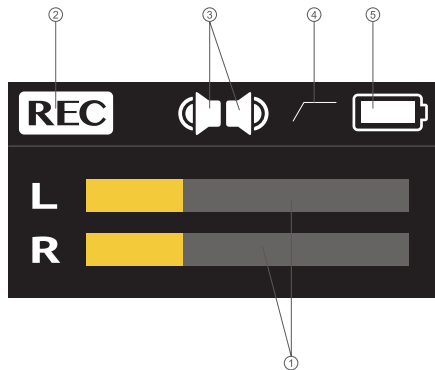
- ⚠ This product is high-precision instrument, please avoid falling, collision or pounding.
- ⚠ Do not disassemble. Should repairs become necessary, this product must be sent to our Company or an authorized maintenance center.
- ⚠ Always keep this product dry. Do not use in rain or damp conditions.
- ⚠ Do not leave or store this product in the environment of direct sunlight, near heating devices, or in hot, humid or dusty.
- ⚠ Keep out of reach of children.
- ⚠ Do not use in flammable and explosive environments. Pay attention to the relevant warning signs.
- ⚠ Do not leave or store the product if the ambient temperature reads over 45°C.
- ⚠ Please read carefully and follow the warnings or instructions provided by the manufacturer.

## Name of Parts



- |                                 |                                    |
|---------------------------------|------------------------------------|
| 1. Built-in Mic 1               | 9. 3.5mm Audio Output Port         |
| 2. Gain Adjustment Dial         | 10. 3.5mm Earphone Monitoring Port |
| 3. Power Switch/Low Cut Button  | 11. 1/4" Cold Shoe                 |
| 4. Bi-directional Pickup Button | 12. TF Card Slot                   |
| 5. Recording Button             | 13. Type-C Charging Port           |
| 6. OLED Display                 | 14. Reset Hole                     |
| 7. Built-in Mic 2               |                                    |
| 8. Built-in Mic 3               |                                    |

## OLED Display

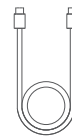


1. LR Soundbyte Icon (varies with sound volume, the yellow area means normal pickup and the red area means sound overload)
2. Recording Icon
3. Bi-directional Pickup Icon
4. Low Cut Icon
5. Battery Level Icon

## What's Inside



Microphone x1



Type-C Charging Cable x1



3.5mm TRS-TRS Audio  
Connect Cable x1



3.5mm TRS-TRRS Audio  
Connect Cable x1



Furry Windscreen x3



Instruction Manual x1

### Note:

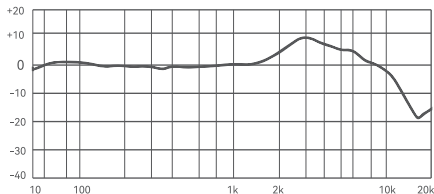
Due to continuous updates and upgrades of the products, there may be differences between the actual products and the pictures. Therefore, the pictures are for reference only, products to prevail in kind.



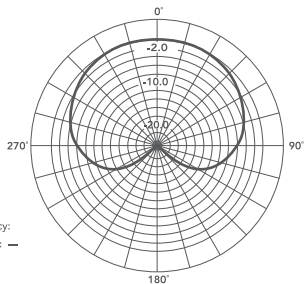
## Frequency Response and Directivity

### Frequency Response

[dB/1V/Pa]



### Directivity



Frequency:  
1000 Hz: —

## Operation Instruction

### 1. Power Switch/Low Cut Button

Long press the power switch/lowcut button for 3s to power on or off the microphone, and the OLED display will be lightened on or off respectively. Short press it to turn on or off low cut function.

### 2. Bi-directional Pickup Button

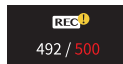
Short press the bi-directional pickup button once to turn on bi-directional pickup mode, both the front and back microphones will pick up, short press again to turn off bi-directional pickup mode.

### 3. Recording Button

Short press the recording button to turn on or off recording function. The default duration of an audio files is 30 minutes. In case of less than 30 minutes, it will still be stored as one file. If it exceeds 30 minutes, the exceeded part will automatically be stored as another file.

Note:

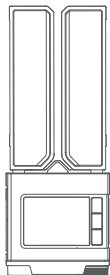
1. This product can only record up to 500 files, the main interface will prompt 491/500 after 490 files have been saved. It will stop recording when reaching 500/500, you have to delete the largest file in order to resume recording, i.e. delete the 500th first, then the 499th, and so on.
2. When the TF card is less than 1G, the main interface will pop up a window prompt with an interval of 10mins/time, then when it is less than 500M, it will automatically stop recording files even if it is recording.
3. 100 files can be recorded in a single session, displaying 1-100 and then changing to 2-1 thereafter.
4. The gain is the default value when recording with built-in microphones, and there is no low-cut effect. Yellow exclamation mark means that nearly 500 files will be saved or memory is less than 1G, red exclamation mark means that the memory is full and cannot continue recording.



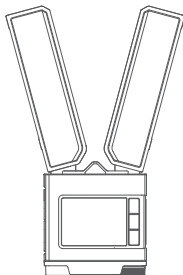
#### 4. Gain Adjustment Dial

Rotate the gain adjustment dial leftward to reduce the gain value, while rotate it rightward to increase the gain value, with an adjustable range from 1 to 10.

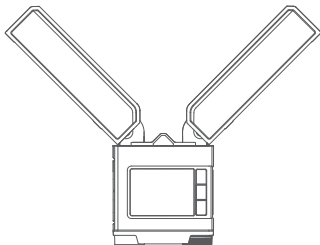
#### 5. Pickup Angle Instruction



0° Stereo Cardioid Mode  
(support bi-directional pickup)  
180°Bi-directional Pickup Mode



30° Stereo Cardioid Mode  
(support bi-directional pickup)



90° Stereo Cardioid Mode  
(support bi-directional pickup)

#### 6. Charging through Type-C port

Connect the microphone to power source with Type-C charging cable, it will enter charging mode automatically.

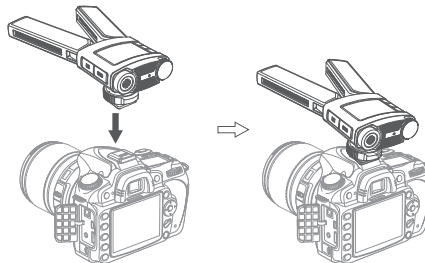
Note:

The microphone works normally during charging without affecting the recording backup. Insert the TF card into the device, then short press the power switch button can eject the U disk after connecting it to the computer. However, if the device is recording, connect it to the computer and then short press the power switch button, the U disk won't be ejected.

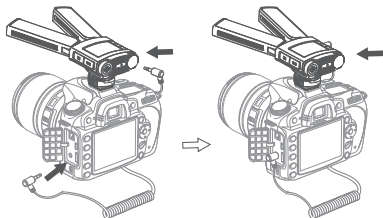
### Installation Instruction

#### 1. Attach to a Camera

1.1 Before attaching to the camera, please turn the microphone's fixing ring clockwise to loosen the cold shoe port until the microphone can be fully inserted into the camera's cold shoe, then tighten it by turning counterclockwise.



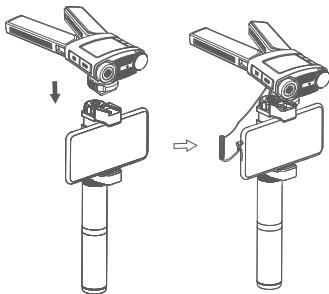
1.2 Connect one end of 3.5mm TRS-TRS audio connect cable to the microphone output port and the other end to the camera's microphone input port.



## 2. Attach to a Smartphone

2.1 Before attaching to the smartphone, please turn the microphone's fixing ring clockwise to loosen the cold shoe port until the microphone can be fully inserted into the smartphone's bracket cold shoe, then tighten it by turning counterclockwise.

2.2 Connect one end of 3.5mm TRS-TRRS audio connect cable to the microphone output port and the other end to the smartphone's microphone input port.



## Technical Data

Model	IVM-S3
Directivity	Cardioid
Frequency Range	50Hz~20KHz
Sensitivity	-38dB±2dB
Max. SPL	>100dB
SNR	>70dB
Output Impedance	600Ω
Lithium Battery Parameters	3.8V, 470mAh, 1.786Wh
Type-C Input	5.0V/0.3A
Pickup Distance	2m
Battery Life	Approx. 12h in recording status, approx. 15h in normal working status
Working Environment Temperature	-10°C~+45°C
Dimension	139x53x45mm
Net Weight	103g

\* Specifications and data may subject to changes without notice.

## Maintenance

Avoid sudden drops. The device may fail to work after strong shocks, impacts, or excess stress.

Keep dry. The product isn't water-proof. Malfunction, rust, and corrosion may occur and go beyond repair if soaked in water or exposed to high humidity.

Avoid sudden temperature changes. Condensation happens if sudden temperature changes such as the circumstance when taking the transmitter and receiver out of a building with higher temperature to outside in winter. Please put the transmitter and receiver in a handbag or plastic bag beforehand.

Keep away from strong magnetic field. The strong static or magnetic field produced by devices such as radio transmitters leads to malfunction.

Unauthorized service will void the warranty.

If the product had failures or was wetted, do not use it until it is repaired by professionals.

## FCC Statement

This device complies with part 15 of the FCC Rules. Operation is subject to the following two conditions:

- (1) This device may not cause harmful interference, and
- (2) this device must accept any interference received, including interference that may cause undesired operation.

Any Changes or modifications not expressly approved by the party responsible for compliance could void the user's authority to operate the equipment.

Note:

This equipment has been tested and found to comply with the limits for a Class B digital device, pursuant to part 15 of the FCC Rules. These limits are designed to provide reasonable protection against harmful interference in a residential installation. This equipment generates uses and can radiate radio frequency energy and, if not installed and used in accordance with the instructions, may cause harmful interference to radio communications. However, there is no guarantee that interference will not occur in a particular installation. If this equipment does cause harmful interference to radio or television reception, which can be determined by turning the equipment off and on, the user is encouraged to try to correct the interference by one or more of the following measures:

- Reorient or relocate the receiving antenna.
- Increase the separation between the equipment and receiver.
- Connect the equipment into an outlet on a circuit different from that to which the receiver is connected.
- Consult the dealer or an experienced radio/TV technician for help.

## Declaration of Conformity:

GODOX Photo Equipment Co.,Ltd. hereby declares that this equipment are in compliance with the essential requirements and other relevant provisions of Directive2014/35/EU,2014/30/EU. They are allowed to be used in all EU member states.

For more information of DoC, Please click this web link:

<https://www.godox.com/eu-declaration-of-conformity>

## 产品保修

尊敬的用户，本保修卡是申请保修服务的重要凭证，请您配合销售商填写并妥善保管，谢谢！

产品信息	型号	产品条码
用户信息	姓名	联系电话
	通信地址	
销售商信息	名称	
	联系电话	
	通信地址	
	销售日期	
备注		

注：此表应由销售商盖章确认。

### 产品信息

本文件适用于相关《产品保修信息》(见后面说明)所列产品，其他非属此范围的产品或部件(如促销品、赠品及其他出厂后附加的部件等)不在此保修承诺内。

### 保修期

产品及部件的相应保修期按相关的《产品保修信息》执行。保修期自产品首次购买日起算，购买日以购买产品时保修卡登记日期为准。

### 如何获得保修服务

要保修服务，您可直接与产品销售商或授权服务机构联系，也可拨打神牛产品售后服务电话，与我们联系，由我们的服务人员为您安排服务。申请保修时，您应提供有效的保修卡作为保修凭证，方可获得保修。如您不能提供有效的保修卡，则在我们可确认产品或部件属于保修范围的情况下，也可以为您提供保修，但这不作为我们的义务。

### 不适用保修的情况

如产品存在下列情况，本文件项下的保证和服务将不适用 ① 产品或部件超过相应保修期；② 错误或不当使用、维护或保管导致的故障或损坏，如：不当搬运；非按产品合理预期用途使用；不当插拔外接设备；跌落或外力挤压；接触或暴露于不当温度、溶剂、酸碱、水浸或潮湿环境；③ 由非神牛授权机构或人员安装、修理、更改、添加或拆卸造成的故障或损坏；④ 产品或部件原有识别信息被修改变更或删除；⑤ 无有效保修卡；⑥ 使用非合法授权、非标准或非公开发行的软件造成的故障或损坏；⑦ 因不可抗力或意外事件造成的故障或损坏；⑧ 其他非因产品本身质量问题导致的故障或损坏。遇上述情况，您应向相关责任方寻求解决，神牛对此不承担任何责任。因非在保修期或保修范围内的部件、附件或软件导致产品不能正常使用的，不是保修范围内的故障。产品使用过程中正常的褪色、磨损和消耗，不是保修范围内的故障。

### 产品保修和服务支持信息

产品的保修期和服务类型按以下《产品保修信息》执行：

产品类别	选件名称	保修期(月)	保修服务类型
部件	电路板	12	客户送修
	电池	3	客户送修
	充电器等带电性能的部件	12	客户送修
其他	如电池盒、防风棉、防风毛罩、锁紧装置、手提绳、扎带、魔术贴、领夹、便携袋、包装等	无	无保修

神牛产品售后服务电话 0755-29609320-8062

## Warranty

Dear customers, as this warranty card is an important certificate to apply for our maintenance service, please fill in the following form in coordination with the seller and safe-keep it. Thank you!

Product Information	Model	Product Code Number
Customer Information	Name	Contact Number
	Address	
Seller Information	Name	
	Contact Number	
	Address	
	Date of Sale	
Note		

Note: This form shall be sealed by the seller.

### Inapplicable Cases

The guarantee and service offered by this document are not applicable in the following cases: ①. **The product or accessory has expired its warranty period;** ②. **Breakage or damage caused by inappropriate usage, maintenance or preservation, such as improper packing, improper usage, improper plugging in/out external equipment, falling off or squeezing by external force, contacting or exposing to the improper temperature, solvent, acid, base, flooding and damp environments, etc;** ③. **Breakage or damage caused by non-authorized institution or staff in the process of installation, maintenance, alternation, addition and detachment;** ④. **The original identifying information of product or accessory is modified, alternated, or removed;** ⑤. **No valid warranty card;** ⑥. **Breakage or damage caused by using illegally authorized, nonstandard or non-public released software;** ⑦. **Breakage or damage caused by force majeure or accident;** ⑧. **Breakage or damage that could not be attributed to the product itself.** Once met these situations above, you should seek solutions from the related responsible parties and Godox assumes no responsibility. The damage caused by parts, accessories and software that beyond the warranty period or scope is not included in our maintenance scope. The normal discoloration, abrasion and consumption are not the breakage within the maintenance scope.

### Applicable Products

The document applies to the products listed on the Product Maintenance Information (see below for further information). Other products or accessories (e.g. promotional items, giveaways and additional accessories attached, etc.) are not included in this warranty scope.

### Warranty Period

The warranty period of products and accessories is implemented according to the relevant Product Maintenance Information. The warranty period is calculated from the day (purchase date) when the product is bought for the first time, and the purchase date is considered as the date registered on the warranty card when buying the product.

### How to Get the Maintenance Service

If maintenance service is needed, you can directly contact the product distributor or authorized service institutions. You can also contact the Godox after-sale service call and we will offer you service. When applying for maintenance service, you should provide valid warranty card. If you cannot provide valid warranty card, we may offer you maintenance service once confirmed that the product or accessory is involved in the maintenance scope, but that shall not be considered as our obligation.

### Maintenance and Service Support Information

The warranty period and service types of products are implemented according to the following Product Maintenance Information:

Product Type	Name	Maintenance Period(month)	Warranty Service Type
Parts	Product Main Body	12	Customer sends the product to designated site
	Battery	3	Customer sends the product to designated site
	Charger, Electrical Parts etc.	12	Customer sends the product to designated site
Other Items	Battery Case, Windscreen Foam, Wind Cap, Locking Device, Lanyard, Tie, Velcro Tape, Clip, Bag, Package etc.	No	Without warranty

Godox After-sale Service Call 0755-29609320-8062