



SMART Digital S

DDE

≤ 15 l/h

Installation and
operating instructions DDE



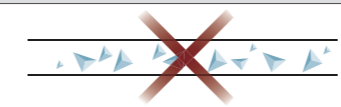
net.grundfos.com/qr/i/95725839

be
think
innovate

GRUNDFOS



Min./Max.
-10 °C / +45 °C
14 °F / 113 °F



Min./Max.
0 °C / +45 °C
32 °F / 113 °F

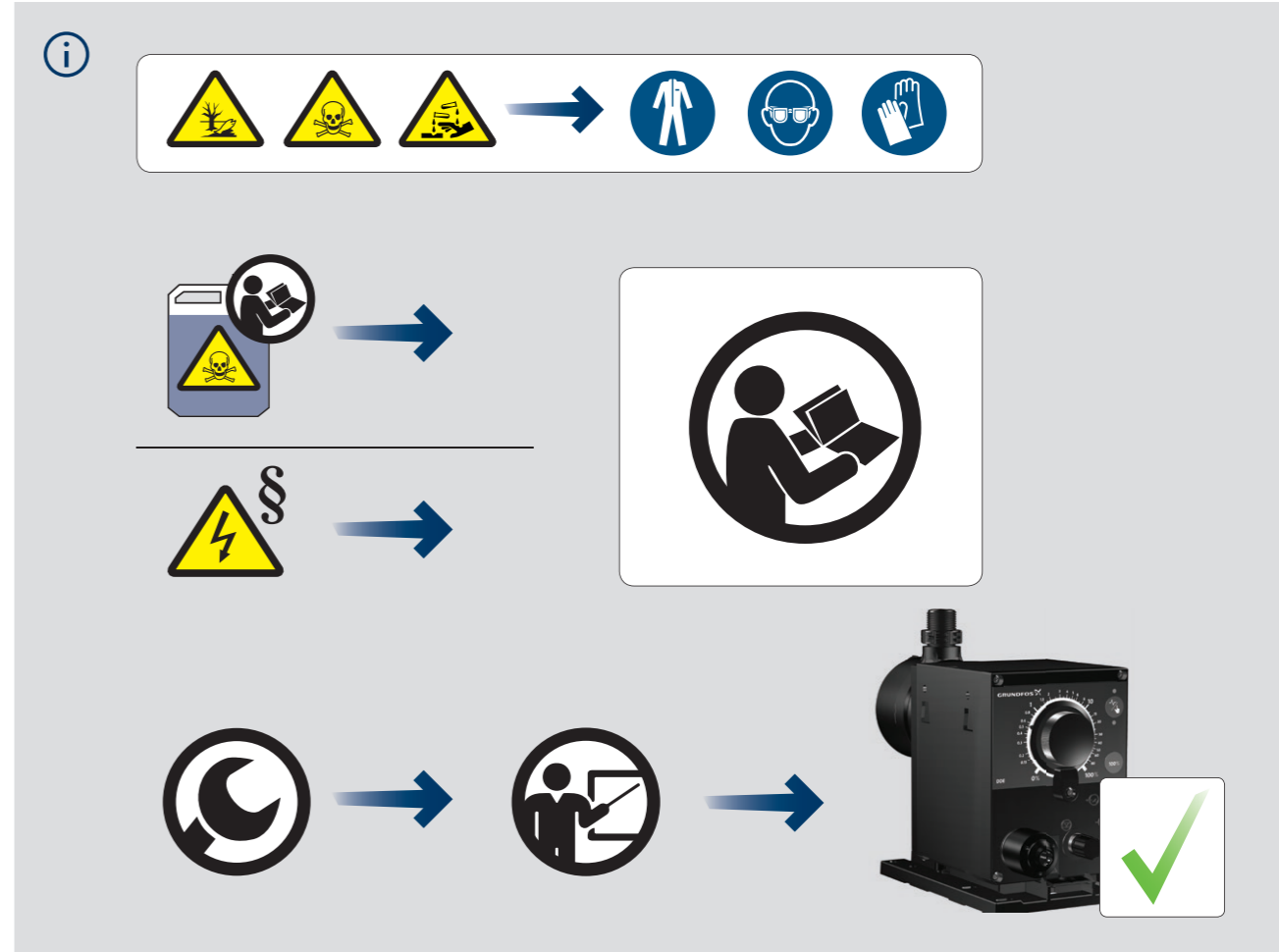
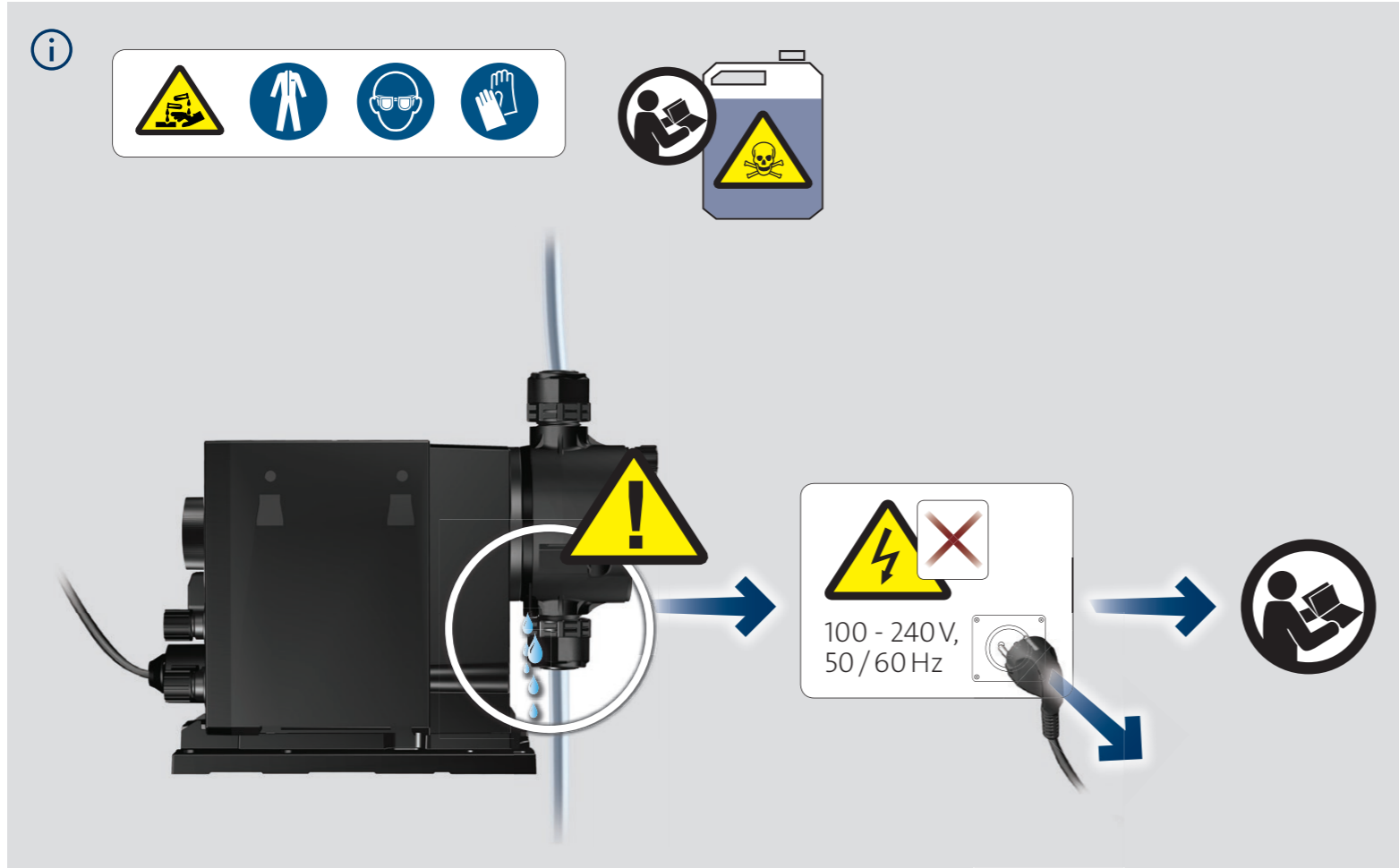
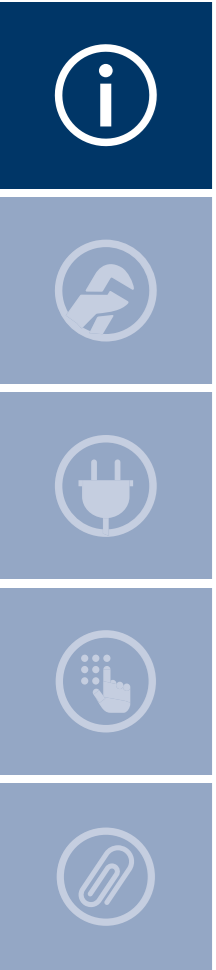


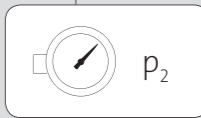
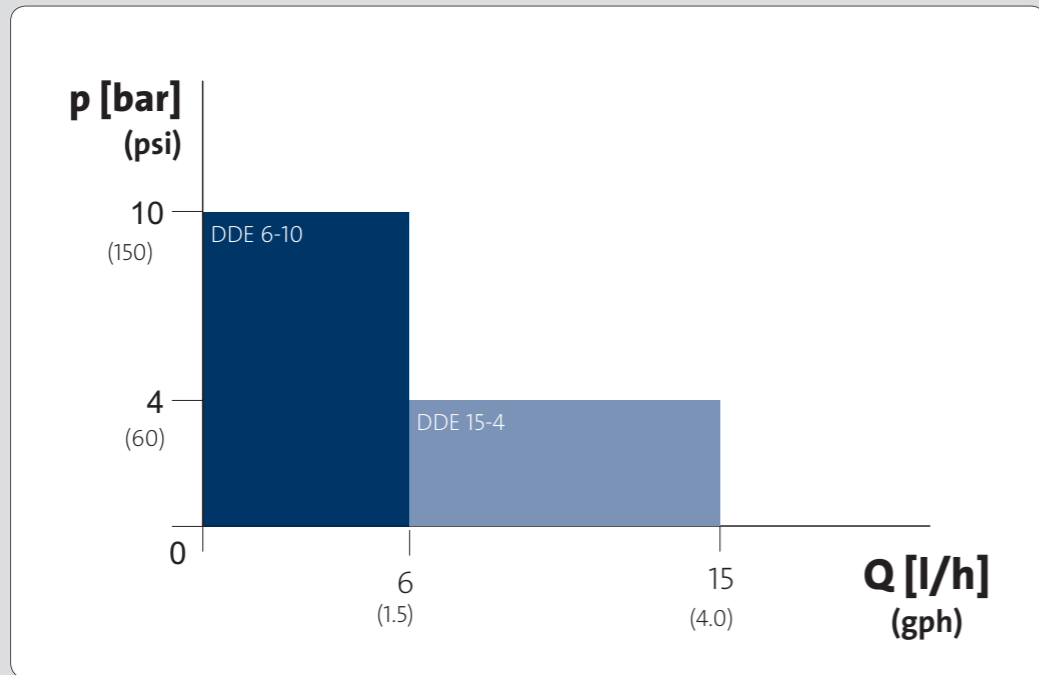
≤ 60 dB(A)



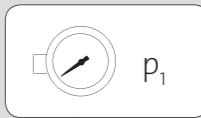
IP 65
(Nema 4x)







$p_2 - p_1 \geq 1 \text{ bar (15 psi)}$



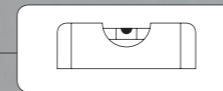
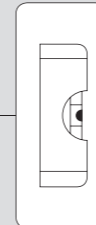


100 - 240V,
50/60Hz



Max.
1.5 m/59"

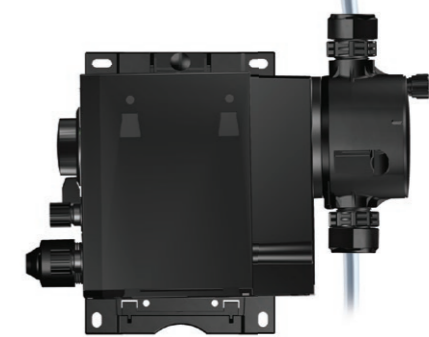
Min.
100 mm/4"

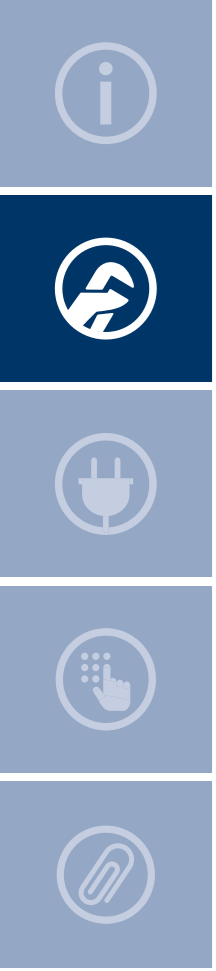


Min.
100 mm/4"

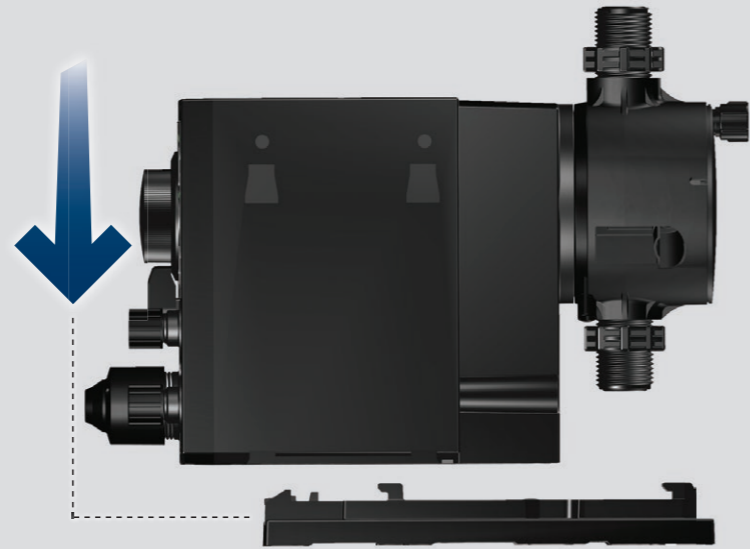
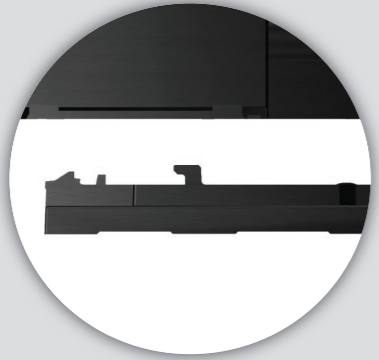
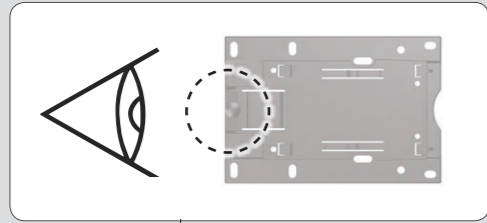


Max.
4 kg/8.8 lb



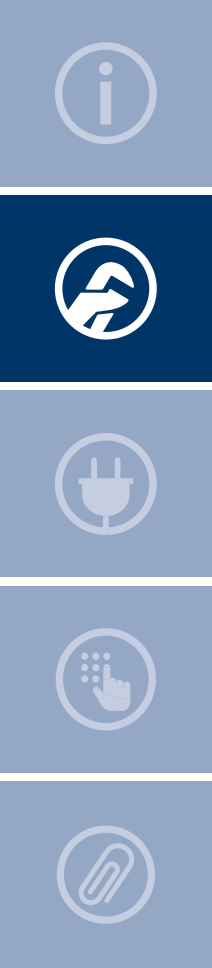


1a

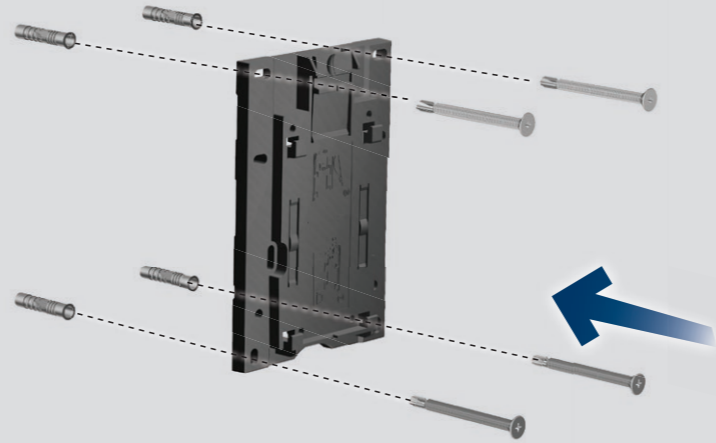
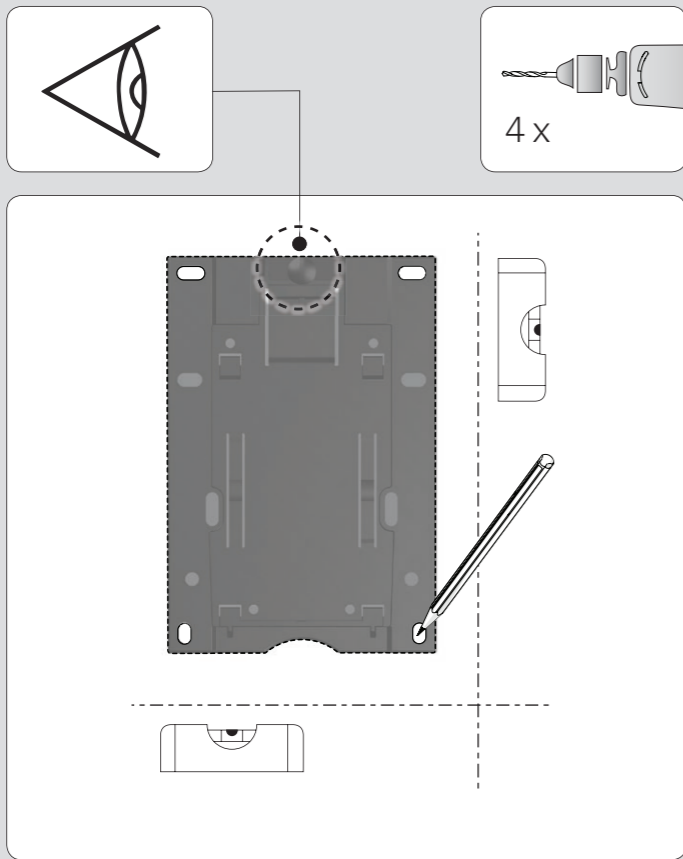


2a



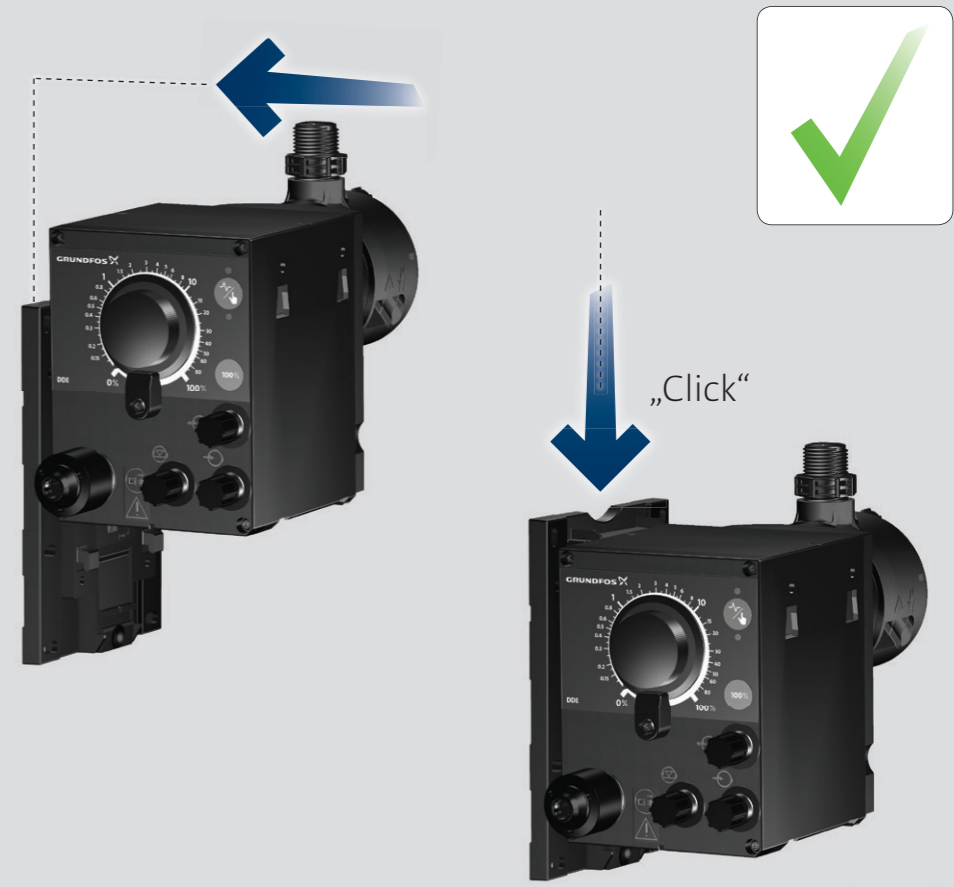


1b



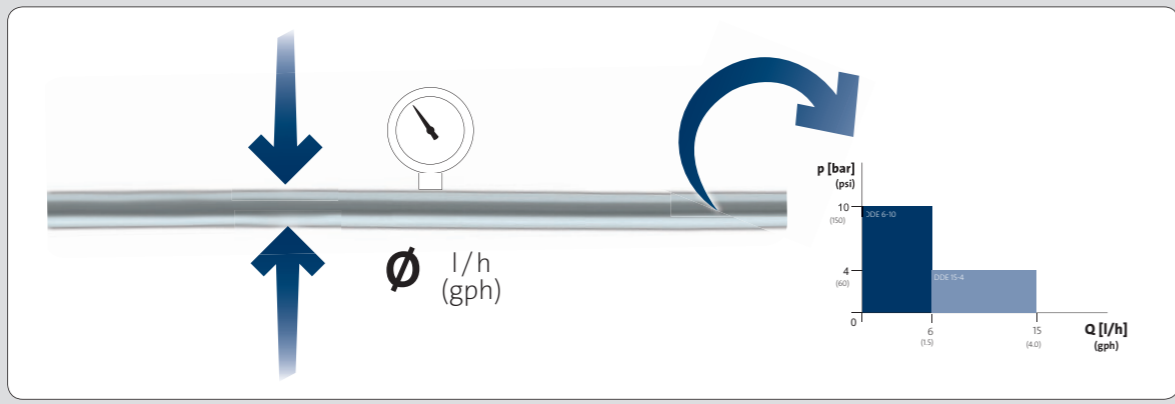
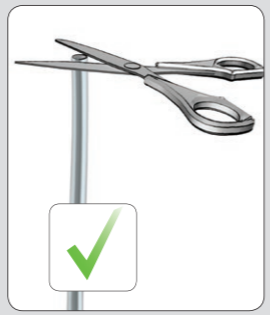
Ø 5 mm (0.2")

2b

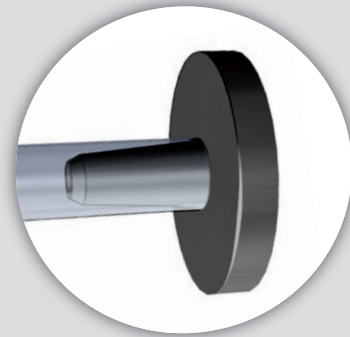
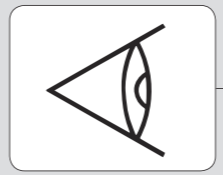


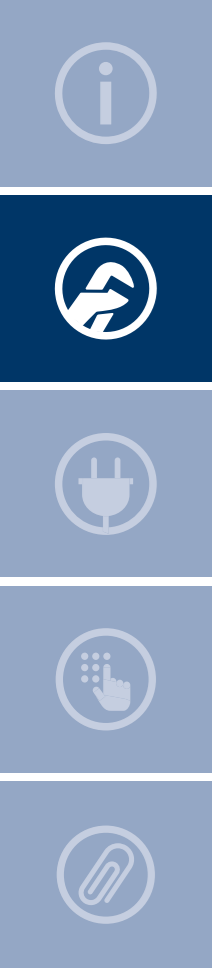


3

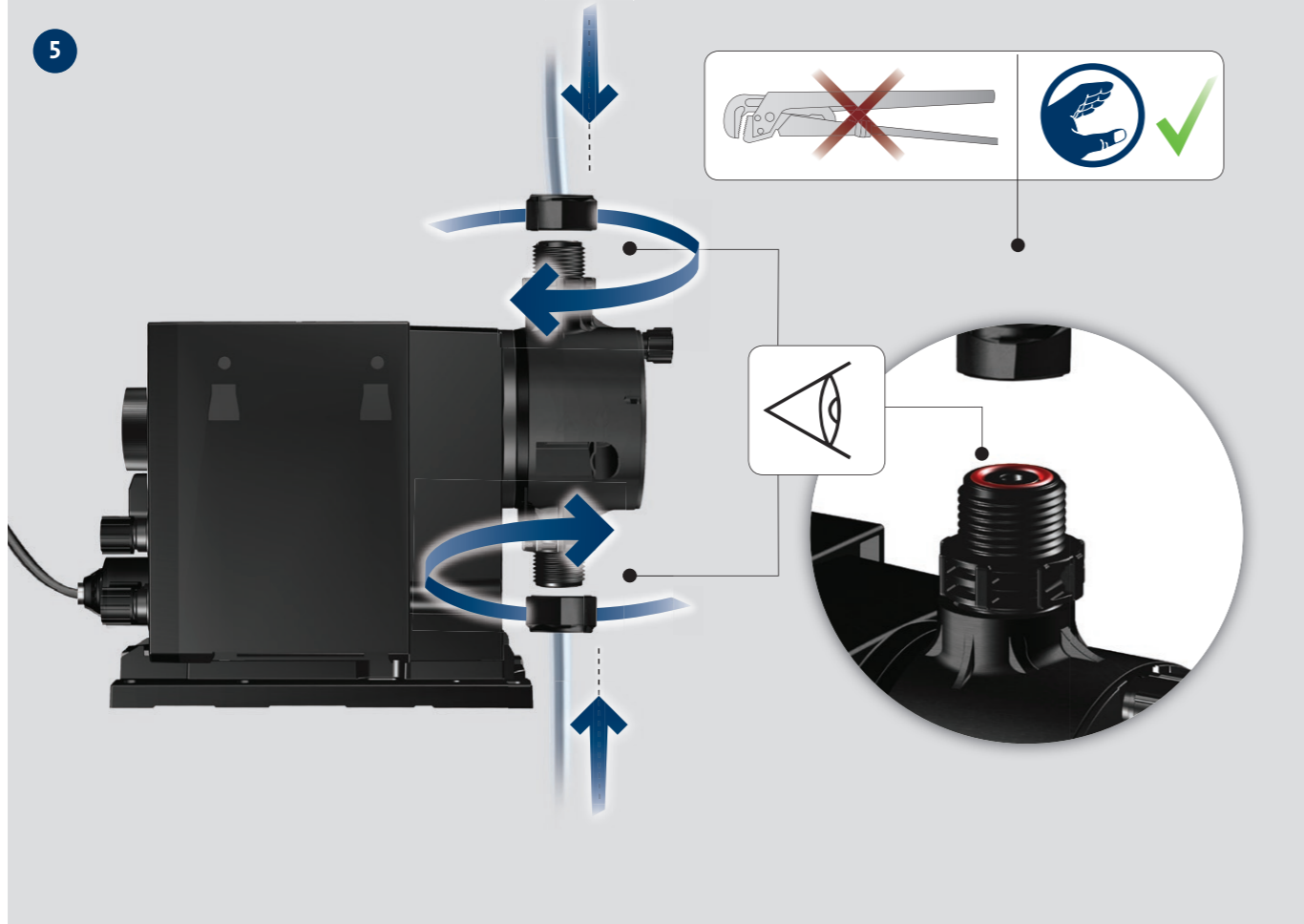


4

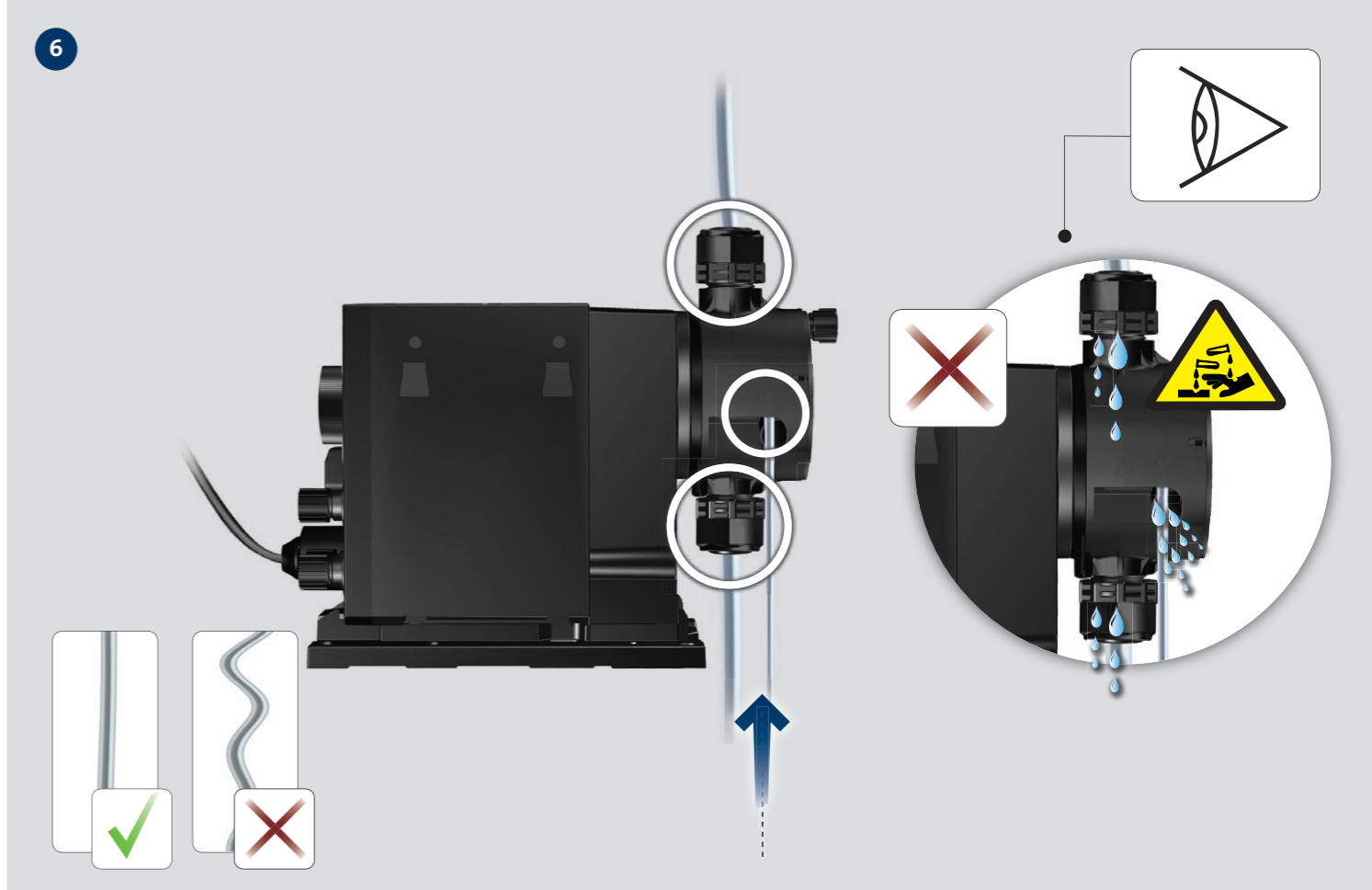


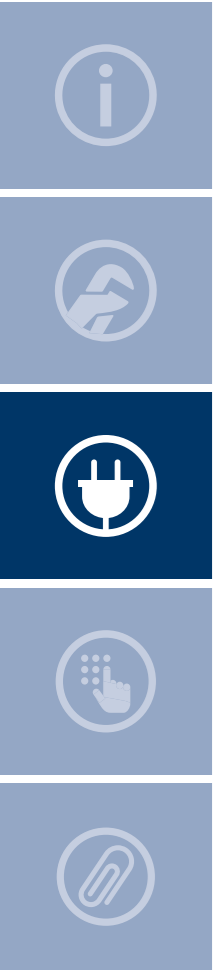


5



6





7

⚡
100 - 240V,
50/60 Hz

DDE-P / DDE-PR





8

DDE-P / DDE-PR



DDE-P / DDE-PR



Min. 5 sec.



DDE-P / DDE-PR



Min. 5 sec.

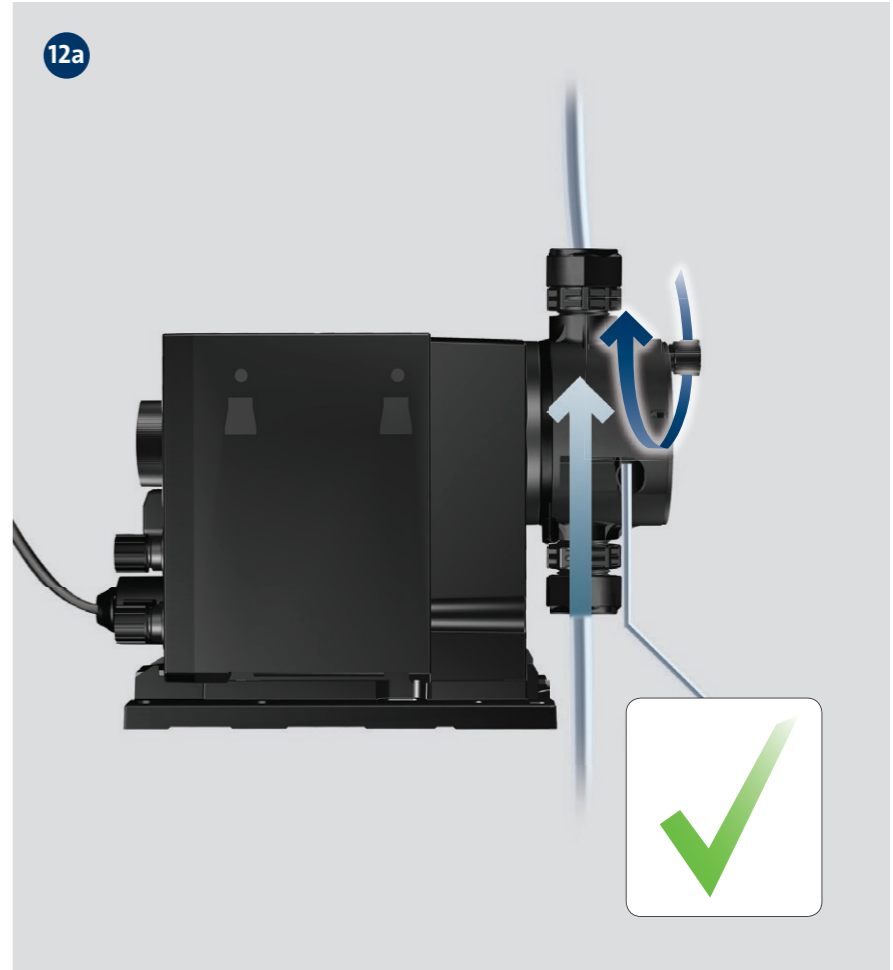
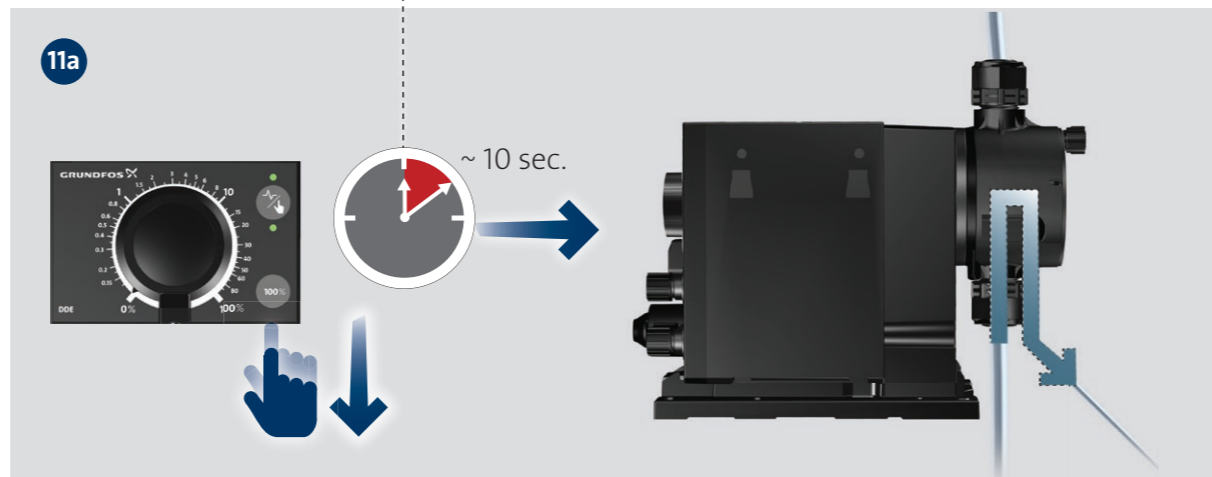
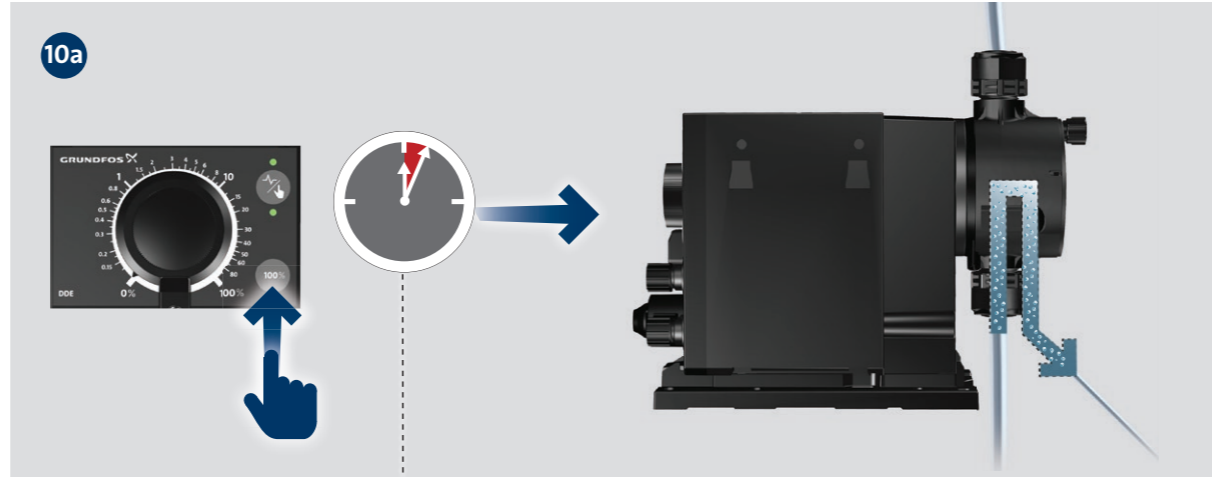
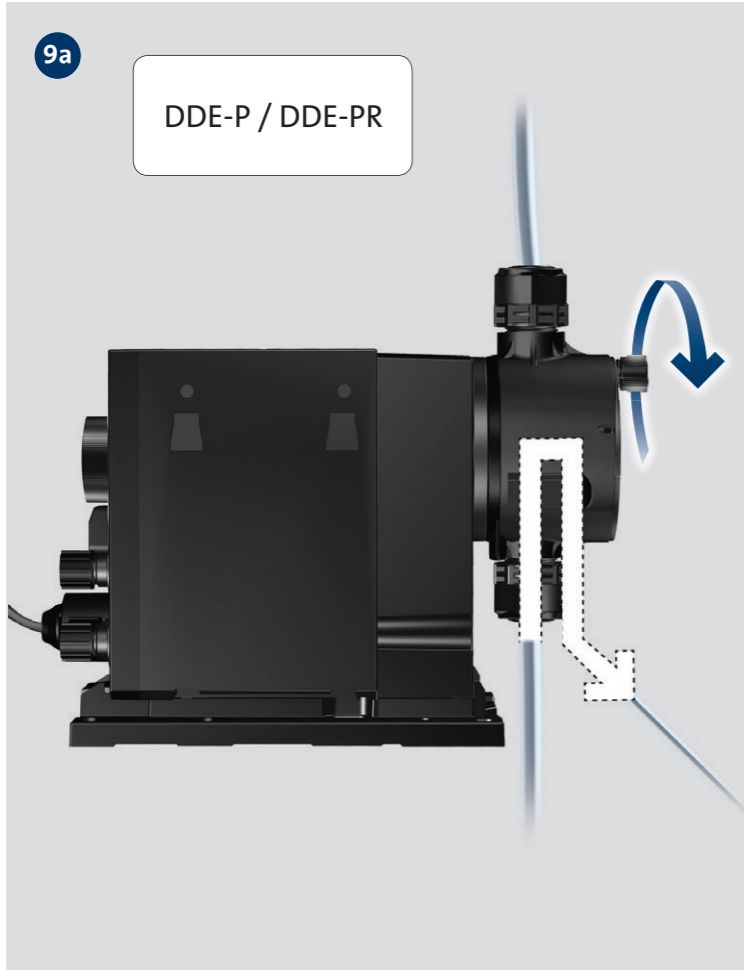
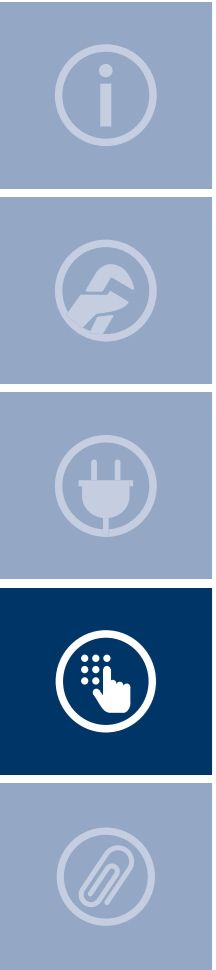


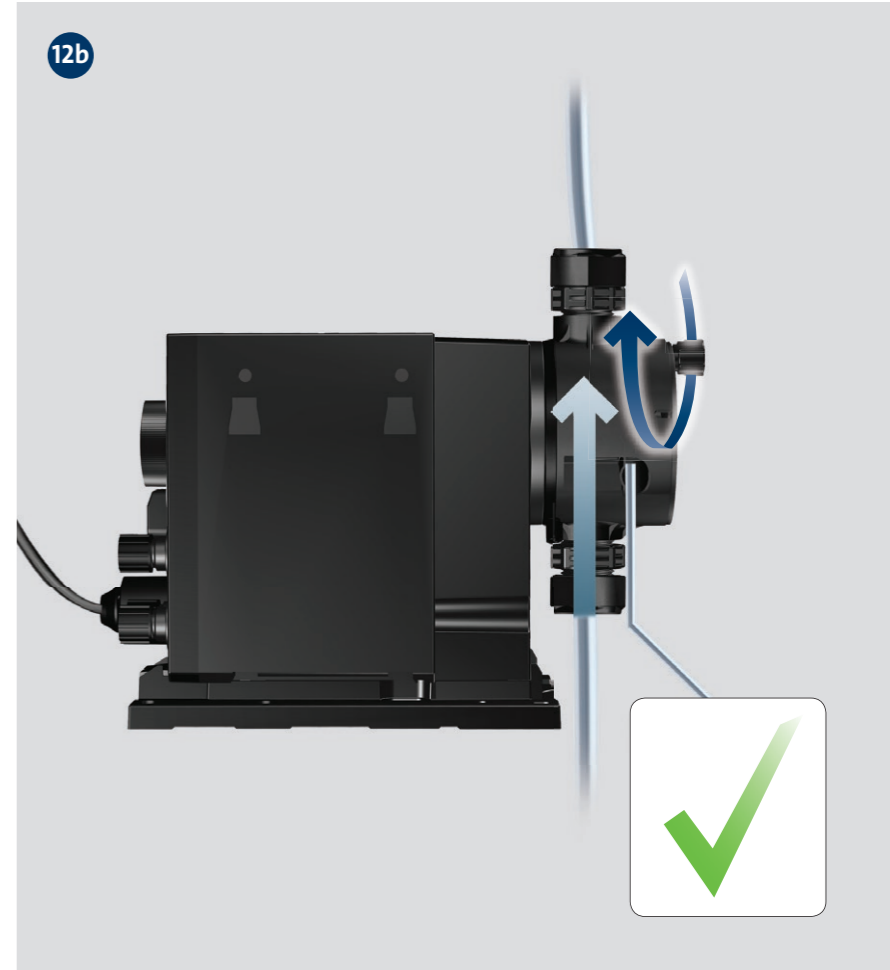
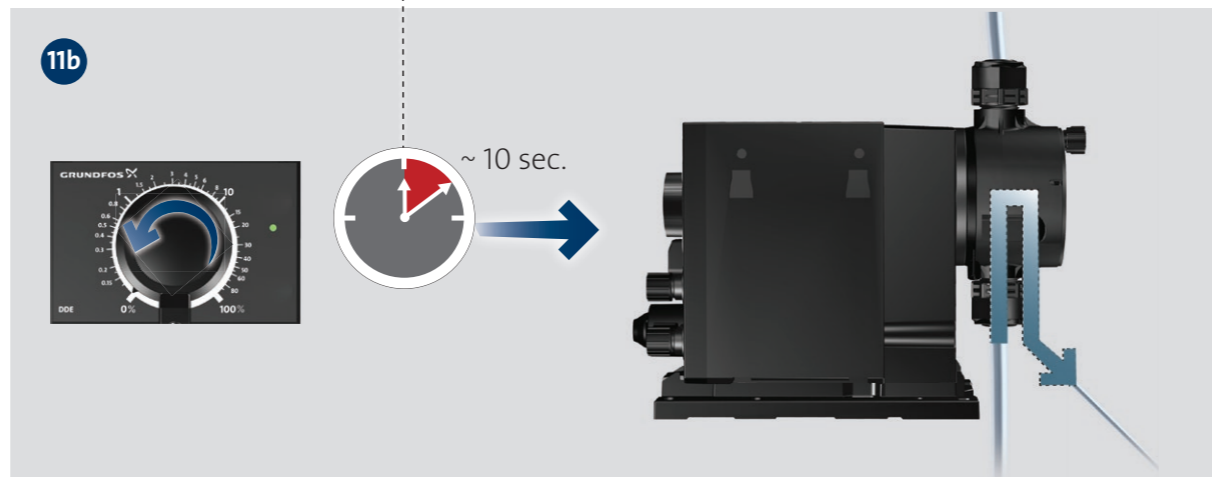
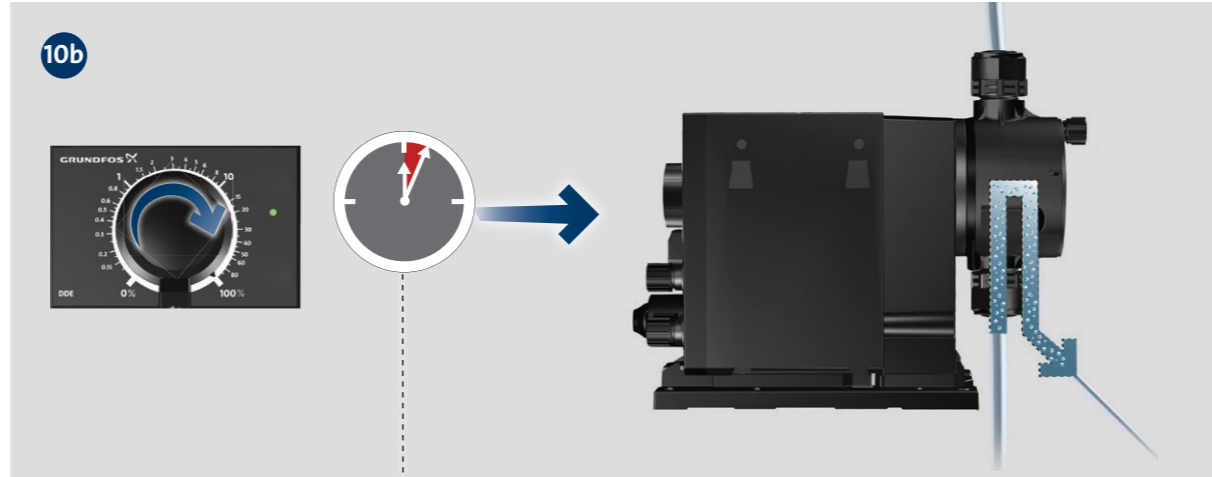
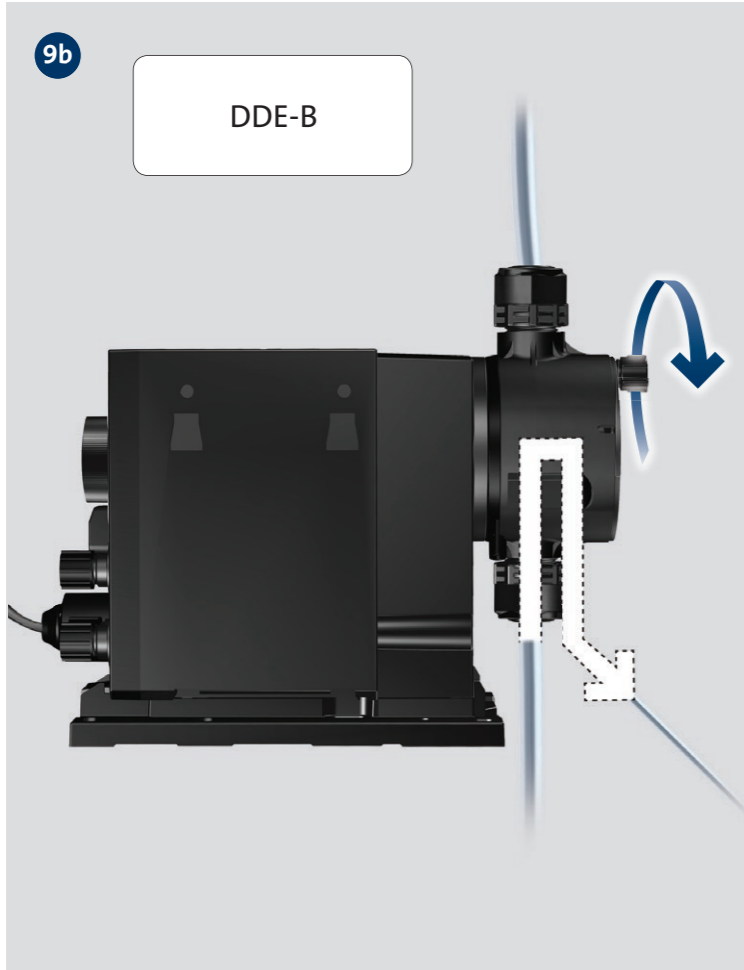
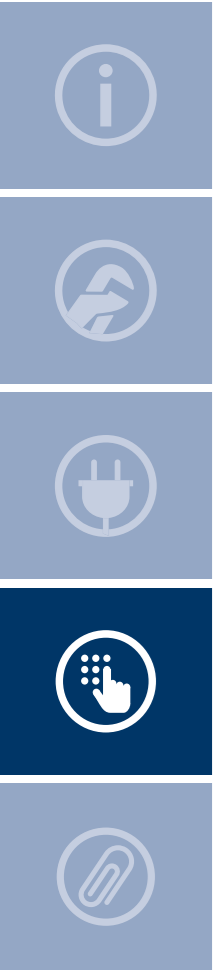
DDE-P / DDE-PR



DDE-B



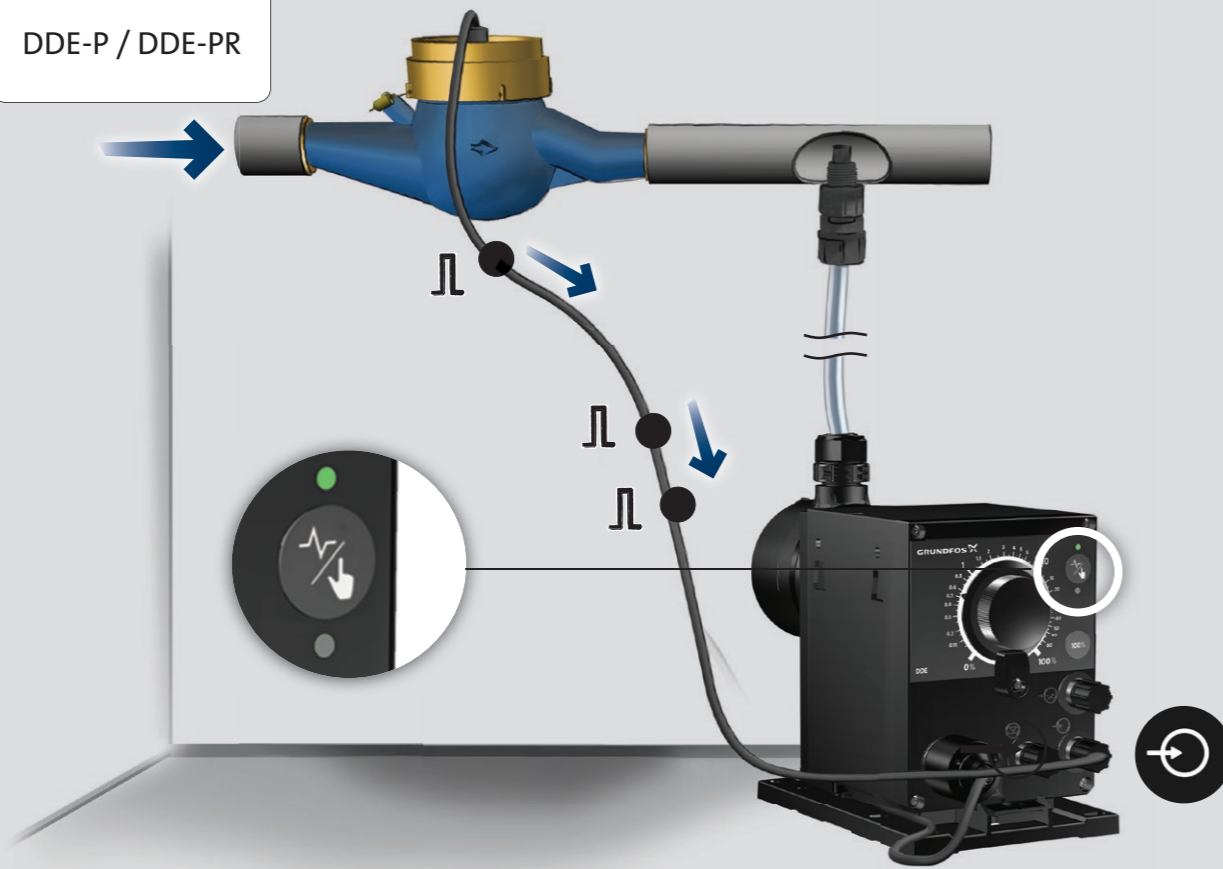






13

DDE-P / DDE-PR



DDE 6-10	<p>approx. 0.81 ml / \perp</p>	<p>approx. 0.41 ml / \perp</p>	<p>approx. 0.08 ml / \perp</p>
DDE 15-4	<p>approx. 1.58 ml / \perp</p>	<p>approx. 0.79 ml / \perp</p>	<p>approx. 0.16 ml / \perp</p>



14

Ok



Ok



DDE-P / DDE-PR

Warning



DDE-P / DDE-PR

Alarm

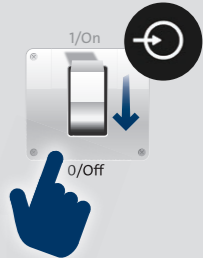


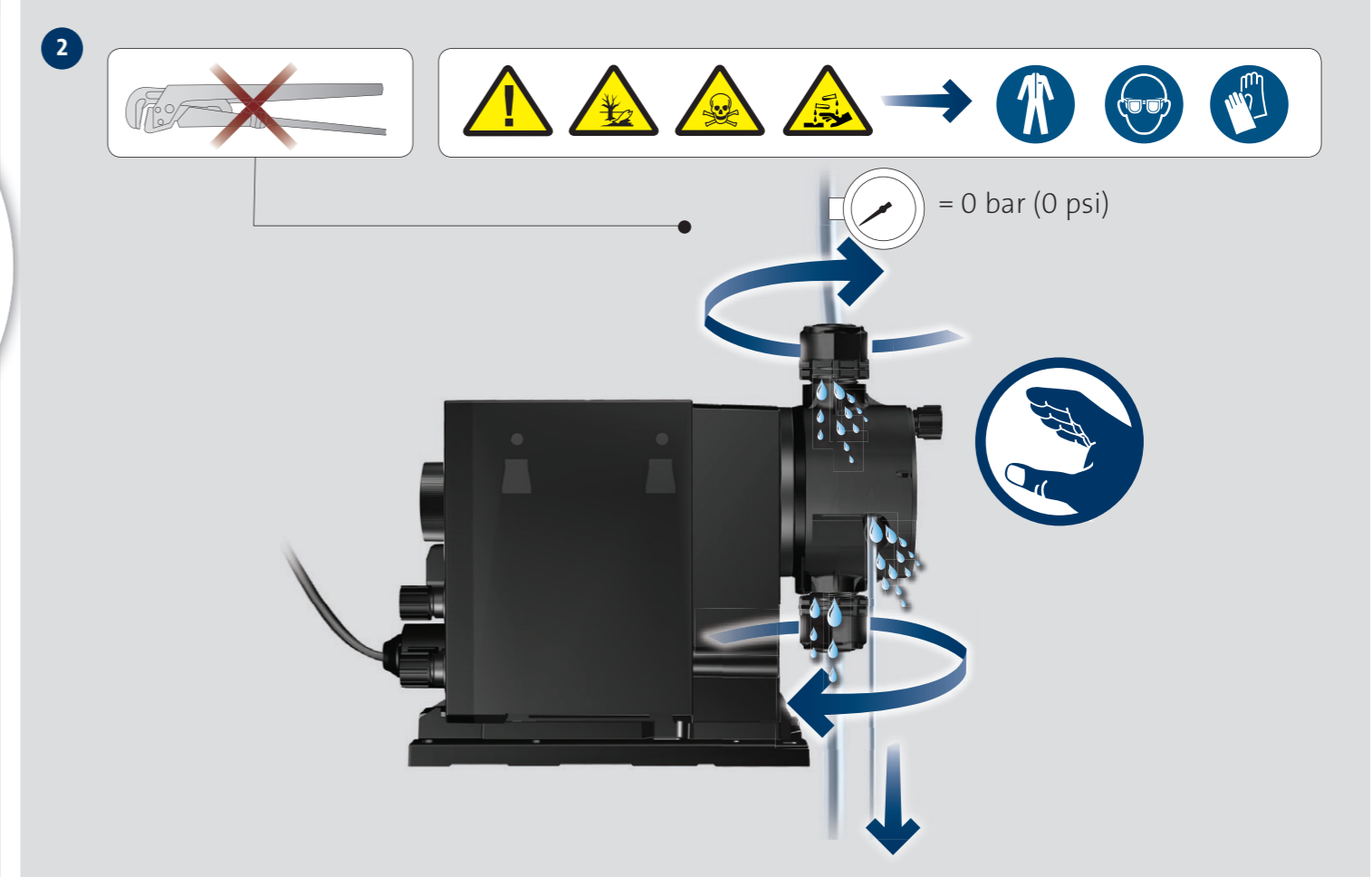
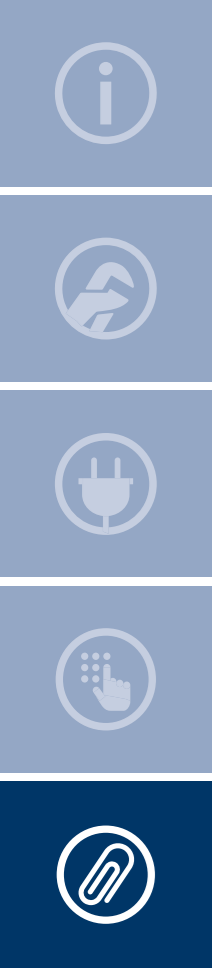
DDE-P / DDE-PR

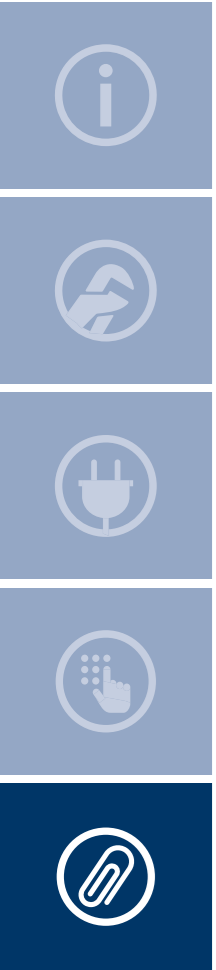
Standby



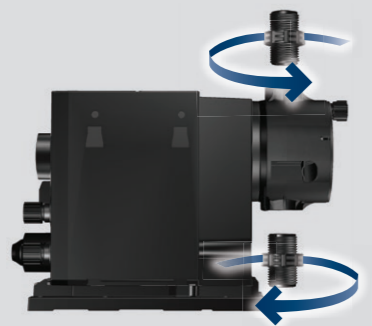
e.g.



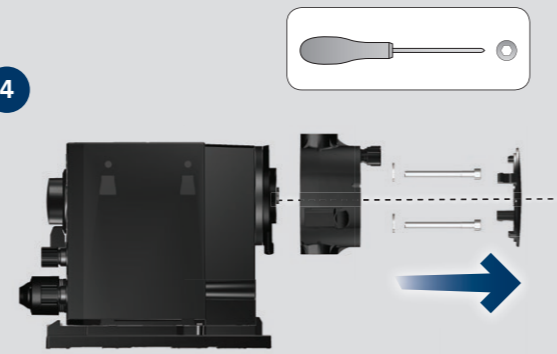




3



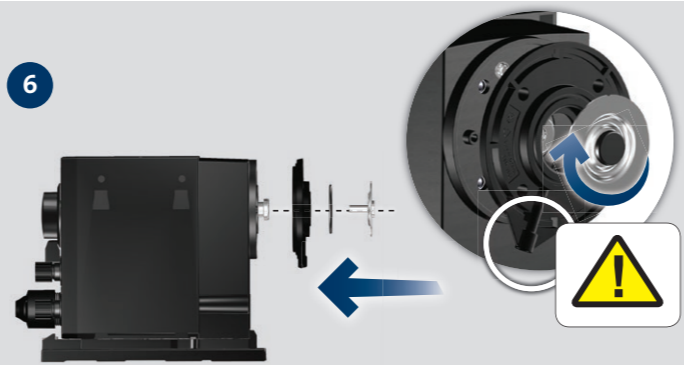
4



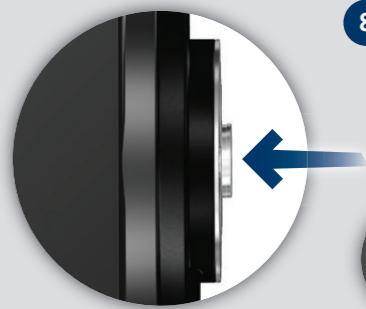
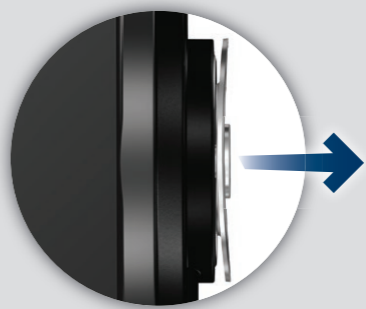
5



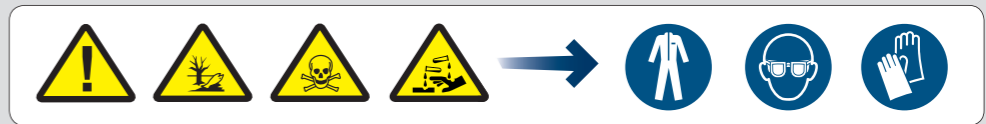
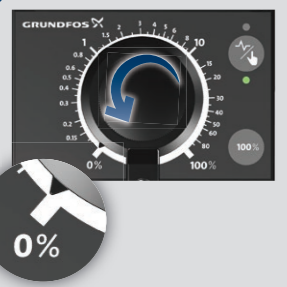
6



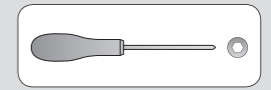
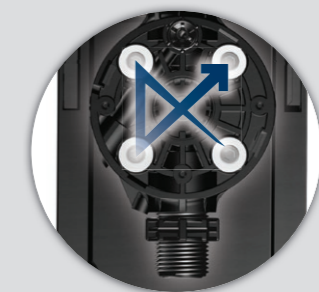
7



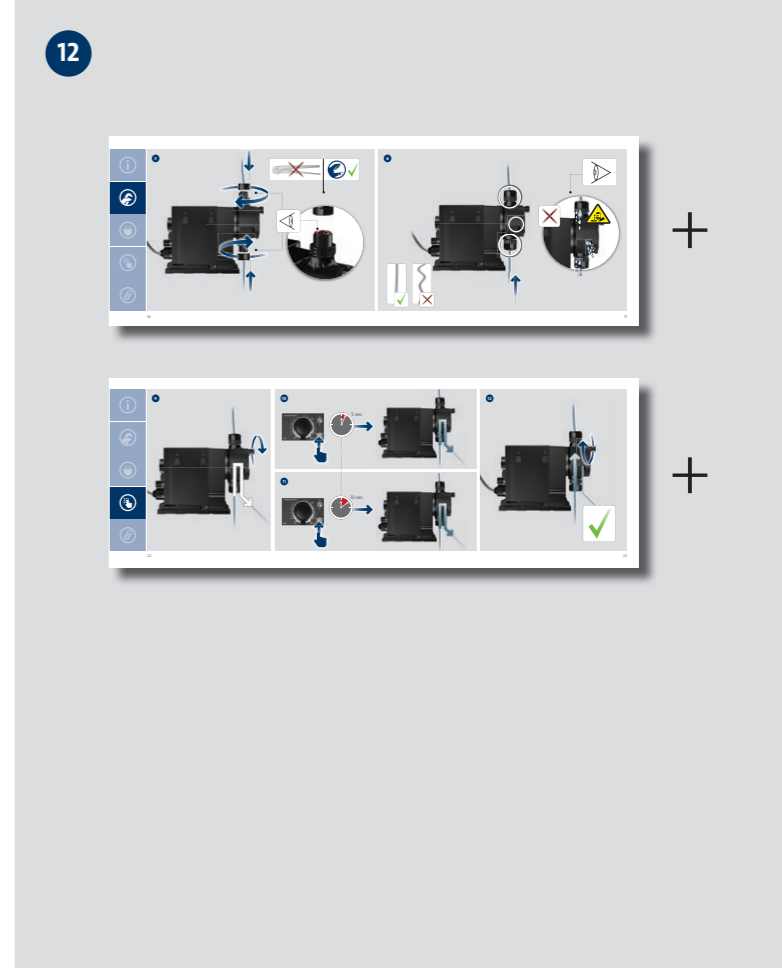
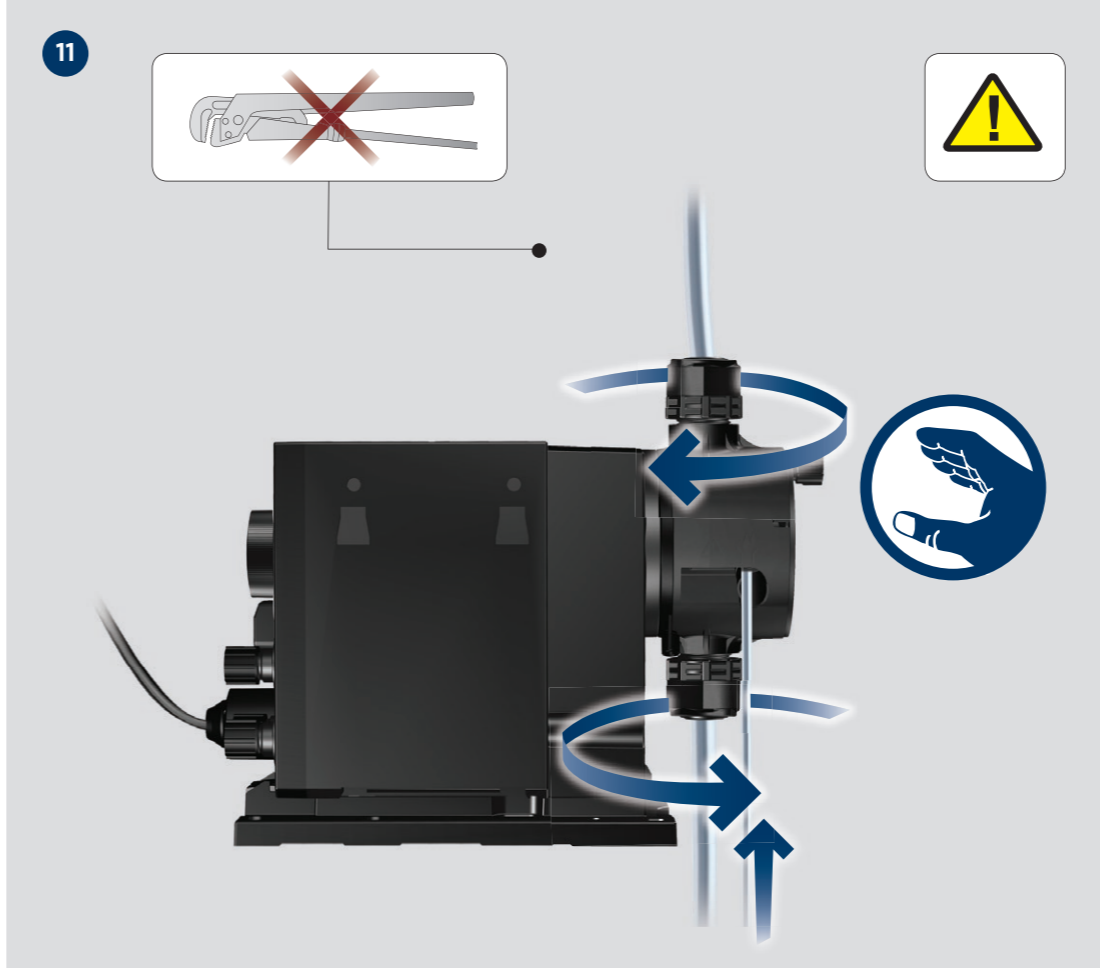
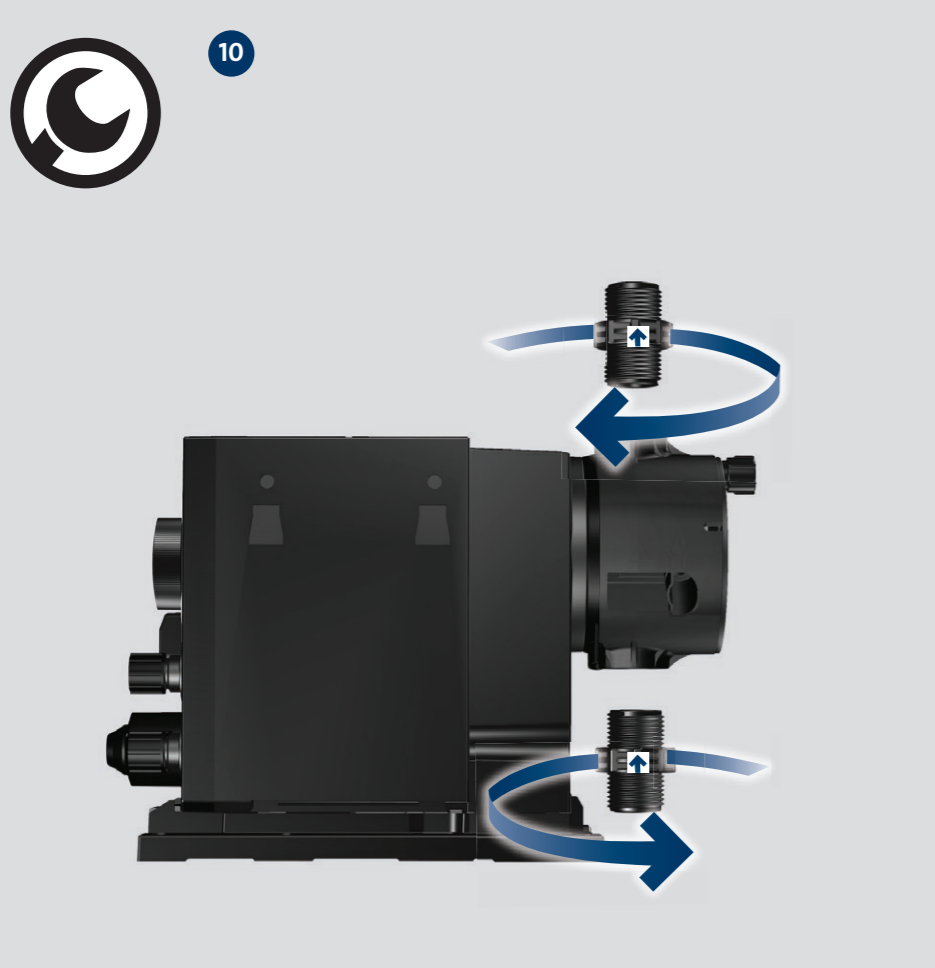
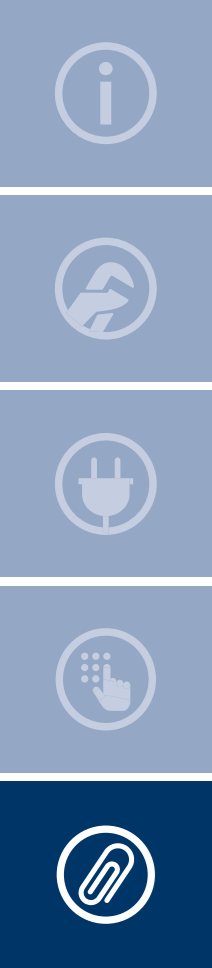
8



9



4 Nm (2.95 lb/ft)



be think innovate

95725551 1216

ECM: 1198146

GRUNDFOS Holding A/S
Poul Due Jensens Vej 7
DK-8850 Bjerringbro
Tel: +45 87 50 14 00
www.grundfos.com

GRUNDFOS 

The name Grundfos, the Grundfos logo, and be think innovate are registered trademarks owned by Grundfos Holding A/S or Grundfos A/S, Denmark. All rights reserved worldwide.