

SMART Digital XL - DDE

From 60 to 200 l/h

Installation and operating instructions



Further languages

<http://net.grundfos.com/qr/i/98767824>

be
think
innovate

GRUNDFOS 

English (GB) Installation and operating instructions

Original installation and operating instructions

CONTENTS

	Page		Page
1. General information	3	8. Service	22
1.1 Symbols used in this document	3	8.1 Regular maintenance	22
1.2 Qualification and training	3	8.2 Cleaning	22
1.3 Safety instructions for the operator/user	3	8.3 Perform service	22
1.4 Safety of the system in the event of a failure in the dosing pump	4	8.3.1 Service overview	23
1.5 Dosing chemicals	4	8.3.2 Dismantling the dosing head, diaphragm and valves	24
1.6 Diaphragm leakage	4	8.3.3 Reassembling the dosing head, diaphragm and valves	24
2. Storage and handling	5	8.3.4 Replacing the deaeration valve	25
2.1 Storage	5	8.3.5 Replacing the mains cable	25
2.2 Unpacking	5	8.4 Diaphragm leakage	26
2.3 Transport	5	8.4.1 Dismantling the dosing head, diaphragm and valves in case of diaphragm leakage	26
3. Product introduction	5	8.4.2 Dosing liquid in the pump housing	26
3.1 Applications	5	8.5 Repairs	27
3.2 Improper operating methods	5	9. Faults	28
3.3 Symbols on the pump	6	9.1 Indicated faults for DDE-B	28
3.4 Nameplate	6	9.2 Indicated faults for DDE-AR	29
3.5 Type key	7	9.3 General faults	30
3.6 Product overview	8	10. Disposal	30
4. Technical data / Dimensions	9		
4.1 Technical data	9		
4.2 Technical data for CIP (Clean-In-Place) applications	11		
4.3 Dimensions	11		
5. Assembly and installation	12		
5.1 Pump assembly	12		
5.1.1 Requirements	12		
5.1.2 Aligning and installing the mounting plate	12		
5.1.3 Installing the pump on the mounting plate	12		
5.1.4 Adjusting the control cube position	13		
5.2 Hydraulic connection	13		
5.3 Electrical connection	15		
6. Startup	17		
6.1 Preparing the pump for startup	17		
6.2 Starting up and deaerating the pump	17		
7. Operation	18		
7.1 Operating elements	18		
7.1.1 Capacity adjusting knob	18		
7.1.2 LEDs (DDE-B)	18		
7.1.3 Keys and LEDs (DDE-AR)	19		
7.2 Operation modes	19		
7.2.1 Manual	19		
7.2.2 Pulse	19		
7.2.3 Analog	20		
7.2.4 Changing the operation mode	20		
7.3 Inputs/outputs	20		
7.3.1 External stop	20		
7.3.2 Empty and low-level signals	20		
7.3.3 Relay outputs	21		
7.3.4 Change settings	21		



Read this document before installing the product. Installation and operation must comply with local regulations and accepted codes of good practice.

1. General information

These installation and operating instructions contain general instructions that must be observed during installation, operation and maintenance of the pump. It must therefore be read by the installation engineer and the relevant qualified operator prior to installation and startup, and must be available at the installation location at all times.

1.1 Symbols used in this document

WARNING



Indicates a hazardous situation which, if not avoided, could result in death or serious personal injury.

CAUTION



Indicates a hazardous situation which, if not avoided, could result in minor or moderate personal injury.

The text accompanying the hazard symbols is structured in the following way:

SIGNAL WORD



Description of hazard

Consequence of ignoring the warning.
- Action to avoid the hazard.



A blue or grey circle with a white graphical symbol indicates that an action must be taken.



If these instructions are not observed, it may result in malfunction or damage to the equipment.



Tips and advice that make the work easier.

1.2 Qualification and training

The persons responsible for the installation, operation and service must be appropriately qualified for these tasks. Areas of responsibility, levels of authority and the supervision of the persons must be precisely defined by the operator. If necessary, the persons must be trained appropriately.

Risks of not observing the safety instructions

Non-observance of the safety instructions may have dangerous consequences for persons, the environment and the pump and may result in the loss of any claims for damages.

It may lead to the following hazards:

- Personal injury from exposure to electrical, mechanical and chemical influences.
- Damage to humans, animals and the environment from leakage of harmful substances.

1.3 Safety instructions for the operator/user

The safety instructions described in these instructions, existing national regulations on health protection, environmental protection and for accident prevention and any internal working, operating and safety regulations of the operator must be observed. Information attached to the pump must be observed.

Leakages of dangerous substances must be disposed of in a way that is not harmful to humans, animals and the environment.

Damage caused by electrical energy must be prevented, see the regulations of the local electricity supply company.

WARNING



Electric shock

Death or serious personal injury
- Keep liquids away from the power supply and electrical components.



Before starting work on the pump, the pump must be disconnected from the power supply. The system must be pressureless.



The mains plug is the separator separating the pump from the mains.

Only original accessories and original spare parts should be used.

1.4 Safety of the system in the event of a failure in the dosing pump

The dosing pump was designed according to the latest technologies and is carefully manufactured and tested.

If it fails regardless of this, the safety of the overall system must be ensured. Use the relevant monitoring and control functions for this.



Make sure that any chemicals that are released from the pump or any damaged lines do not cause damage to system parts and buildings.

The installation of leak monitoring solutions and drip trays is recommended.

1.5 Dosing chemicals

Before switching the supply voltage back on, the dosing lines must be connected in such a way that any chemicals in the dosing head cannot spray out and put people at risk.

The dosing medium is pressurised and can be harmful to health and the environment.

When working with chemicals, the accident prevention regulations applicable at the installation site should be applied (e.g. wearing protective clothing and safety goggles).

Observe the chemical manufacturer's safety data sheets and safety instructions when handling chemicals!

A deaeration hose, which is routed into a container, e.g. a drip tray, must be connected to the deaeration valve.

1.6 Diaphragm leakage

If the diaphragm leaks or is broken, dosing liquid escapes from the drain opening on the dosing head. See fig. 3, pos. 14. Observe section [8.4 Diaphragm leakage](#).

WARNING

Danger of explosion, if dosing liquid has entered the pump housing!

Death or serious personal injury
Operation with damaged diaphragm can lead to dosing liquid entering the pump housing.



- In case of diaphragm leakage, immediately separate the pump from the power supply!
- Make sure the pump cannot be put back into operation by accident!
- Dismantle the dosing head without connecting the pump to the power supply and make sure no dosing liquid has entered the pump housing. Proceed as described in section [8.4.1 Dismantling the dosing head, diaphragm and valves in case of diaphragm leakage](#).

To avoid any danger resulting from diaphragm leakage, observe the following:

- Perform regular maintenance. See section [8.1 Regular maintenance](#).
- Never operate the pump with blocked or soiled drain opening.
 - If the drain opening is blocked or soiled, proceed as described in section [8.4.1 Dismantling the dosing head, diaphragm and valves in case of diaphragm leakage](#).
- Take suitable precautions to prevent harm to health and damage to property from escaping dosing liquid.
- Never operate the pump with damaged or loose dosing head screws.

2. Storage and handling

2.1 Storage

- Observe the permissible ambient conditions. See section [4. Technical data / Dimensions](#).
- The storage location must be protected from rain, humidity, condensation, direct sunlight and dust.
- The product must be drained completely.
- The product must be cleaned.

2.2 Unpacking

- Mount as soon as possible after unpacking.
- Observe the permissible ambient conditions. See section [4. Technical data / Dimensions](#).

2.3 Transport

- The product must only be transported by trained persons.
- Wear personal protective equipment.
- Observe the permissible ambient conditions. See section [4. Technical data / Dimensions](#).
- The product must be drained completely.
- The product must be cleaned.
- Use the original packaging or equivalent to protect the product during transport.
- Use appropriate lifting and transporting devices.
- Secure the product during transport to prevent it from tilting and moving.
- Avoid strong impact loads.
- If the pump is installed in a system during transport, make sure it is secured on the mounting plate with the 6 vertical safety screws. See section [5.1.3 Installing the pump on the mounting plate](#).

3. Product introduction

The DDE dosing pump is a self-priming diaphragm pump. It consists of a housing with PMS (Permanent Magnet Synchronous) motor and electronics, a dosing head with double PTFE diaphragm and valves and the control cube.

Excellent dosing features of the pump:

- Optimal intake even with degassing media, as the pump always works at full suction stroke volume.
- Continuous dosing, as the medium is sucked up with a short suction stroke, regardless of the current dosing flow, and dosed with the longest possible dosing stroke.

3.1 Applications

The pump is suitable for liquid, non-abrasive, non-flammable and non-combustible media. Observe the technical data of the product. See section [4.1 Technical data](#).

Observe the freezing and boiling points of the dosing medium.

Make sure that parts in contact with the dosing medium are resistant to the dosing medium under operating conditions. See data booklet:

- <http://net.grundfos.com/qr/i/99021865>.

Should you have any questions regarding the material resistance and suitability of the pump for specific dosing media, please contact Grundfos.

A sunscreen is required for outdoor installation.

Areas of application

- Drinking water treatment
- Wastewater treatment
- Boiler water treatment
- Cooling water treatment
- Process water treatment
- CIP (Clean-In-Place). Observe section [4.2 Technical data for CIP \(Clean-In-Place\) applications](#).
- Swimming pool water treatment
- Chemical industry
- Ultrafiltration process and reverse osmosis
- Food and beverage industry
- Paper and pulp industry
- Irrigation.

3.2 Improper operating methods

The operational safety of the pump is only guaranteed if it is used in accordance with section [3.1 Applications](#).

Other applications or the operation of pumps in ambient and operating conditions, which are not approved, are considered improper and are not permitted. Grundfos cannot be held liable for any damage resulting from incorrect use.






The pump is NOT approved for operation in potentially explosive areas, automotive applications or marine applications.



Only use the deaeration valve for deaerating the pump. Make sure the deaeration valve is closed during normal operation.

3.3 Symbols on the pump

Symbol	Description
	Indication of universally dangerous spot.
	In case of emergency and prior to all maintenance work and repairs, take the mains plug out of the power supply!
	The device complies with electrical safety class I.

3.4 Nameplate

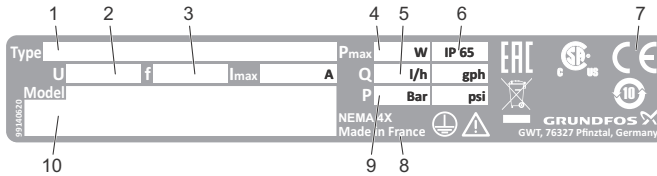


Fig. 1 Nameplate

Pos.	Description	Pos.	Description
1	Type designation	6	Enclosure class
2	Voltage	7	Marks of approval
3	Frequency	8	Country of origin
4	Power consumption	9	Max. operating pressure
5	Max. dosing flow	10	Model

TMM06 7308 3418

3.5 Type key

The type key is used to identify the precise pump and is not used for configuration purposes.

Example: **DDE 60-10 AR-PVC/V/C-F-31U3U3FG**

Type	
DDE 60-10 AR-PVC/V/C-F-31U3U3FG	
Max. flow [l/h]	
DDE 60-10 AR-PVC/V/C-F-31U3U3FG	
Max. pressure [bar]	
DDE 60-10 AR-PVC/V/C-F-31U3U3FG	
Control variant	
DDE 60-10 AR-PVC/V/C-F-31U3U3FG	
B	Basic
AR	B with pulse mode, analog mode and alarm relay
Dosing head variant	
DDE 60-10 AR-PVC/V/C-F-31U3U3FG	
PVC	Polyvinyl chloride
PV	PVDF
SS	Stainless steel 1.4401
Gasket material	
DDE 60-10 AR-PVC/V/C-F-31U3U3FG	
E	EPDM
V	FKM
T	PTFE
Valve ball material	
DDE 60-10 AR-PVC/V/C-F-31U3U3FG	
C	Ceramics
SS	Stainless steel 1.4401
Control cube	
DDE 60-10 AR-PVC/V/C-F-31U3U3FG	
F	Front mounted (change to left or right is possible)
Supply voltage	
DDE 60-10 AR-PVC/V/C-F-31U3U3FG	
3	100-240 V 50/60 Hz single phase
Valve type	
DDE 60-10 AR-PVC/V/C-F-31U3U3FG	
1	Standard
2	Spring-loaded

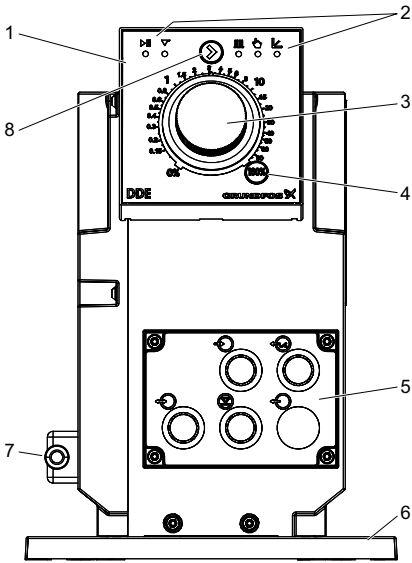
Connection, inlet / outlet	
DDE 60-10 AR-PVC/V/C-F-31U3U3FG	
U3U3	2x Union nut G5/4
	2x Hose connector 19/20 mm
	2x Hose clamp
	2x Pipe connector 25 mm
A7A7	2x Union nut G5/4
	2x Inlay external thread 3/4 NPT
A1A1	2x Union nut G5/4 (SS)
	2x Inlay internal thread Rp 3/4 (SS)
A3A3	2x Union nut G5/4 (SS)
	2x Inlay internal thread 3/4 NPT (SS)

Mains plug	
DDE 60-10 AR-PVC/V/C-F-31U3U3FG	
F	EU (Schuko)
B	USA, Canada
G	UK
I	Australia, New Zealand, Taiwan
E	Switzerland
J	Japan
L	Argentina

Design	
DDE 60-10 AR-PVC/V/C-F-31U3U3FG	
G	Grundfos red
A	Grundfos green
B	Grundfos black
X	Neutral / black

Special variant	
DDE 60-10 AR-PVC/V/C-F-31U3U3FG C3	
Standard	
C3	Inspection certificate 3.1 (EN 10204)

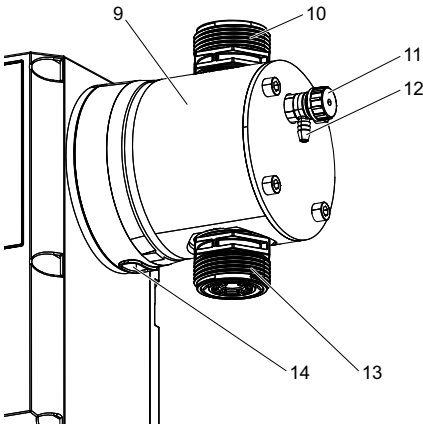
3.6 Product overview



TM06 7310 2916

Fig. 2 Front view of the pump

Pos.	Description	See section
1	Control cube	
2	LEDs for status and operation mode	7.1
3	Capacity adjusting knob	7.1
4	[100%] key	7.1
5	Signal inputs/outputs	5.3
6	Mounting plate	
7	Mains connection	
8	[Operation mode] key	7.1
9	Dosing head	
10	Valve, outlet side	
11	Deaeration valve	
12	Connection, deaeration hose	
13	Valve, inlet side	
14	Drain opening in case of diaphragm leakage	



TM06 7311 2916

Fig. 3 Dosing head

4. Technical data / Dimensions

4.1 Technical data

Data		60-10	120-7	200-4	
Mechanical data	Turn-down ratio (setting range)	[1:X]	800	800	800
	Max. dosing capacity	[l/h]	60	120	200
		[gph]	15.8	32	52.8
	Min. dosing capacity	[l/h]	0.075	0.15	0.25
		[gph]	0.0197	0.04	0.066
	Max. operating pressure	[bar]	10	7	4
		[psi]	145	101	58
	Max. stroke frequency	[strokes/min]	196	188	188
	Stroke volume	[ml]	5.56	11.58	19.3
	Accuracy of repeatability ⁴⁾	[%]	5 SP + 0.1 FS		
	Max. suction lift during operation ¹⁾	[m]	3		
	Max. suction lift when priming with wet valves ¹⁾	[m]	1.5		
	Min. pressure difference between inlet and outlet side	[bar]	1		
		[psi]	14.5		
	Max. inlet pressure, inlet side	[bar]	2		
		[psi]	29		
	Max. viscosity with spring-loaded valves ²⁾	[mPas] (= cP)	1000	1000	500
	Max. viscosity without spring-loaded valves ²⁾	[mPas] (= cP)	100		
	Min. internal hose/pipe diameter inlet/outlet side ^{1), 3)}	[mm]	19		
	Min. internal hose/pipe diameter inlet/outlet side (high viscosity) ³⁾	[mm]	19		
	Min. / Max. liquid temperature (PVDF, SS)	[°C]	0 / 50		
	Min. / Max. liquid temperature (PVC)	[°C]	0 / 40		
	Min. / Max. ambient temperature	[°C]	0 / 45		
	Min. / Max. storage temperature (PVDF, SS)	[°C]	-20 / 70		
	Min. / Max. storage temperature (PVC)	[°C]	-20 / 45		
	Max. relative humidity (non-condensing)	[%]	90		
	Max. altitude above sea level	[m]	2000		
Electrical data	Voltage	[V]	100-240 V ± 10 %, 50/60 Hz		
	Length of mains cable	[m]	1.5		
	Max. inrush current for 2 ms (100 V)	[A]	35		
	Max. inrush current for 2 ms (240 V)	[A]	70		
	Max. power consumption P ₁	[W]	62		
	Enclosure class		IP65, Nema 4X		
	Electrical safety class		I		
	Pollution degree		2		

Data		60-10	120-7	200-4	
Signal input	Max. load for level input	12 V, 5 mA			
	Max. load for pulse input	12 V, 5 mA			
	Max. load for external stop input	12 V, 5 mA			
	Min. pulse length	[ms]	5		
	Max. pulse frequency	[Hz]	100		
	Max. loop resistance in external circuit	[Ω]	150		
	Impedance at 4-20 mA analog input	[Ω]	15		
	Accuracy of analog input (full-scale value)	[%]	± 0.5		
Signal output	Min. resolution of analog input	[mA]	0.02		
	Max. resistive load on relay output	[A]	0.5		
	Max. voltage on relay output	[V]	30 VDC / 30 VAC		
Weight/size	Weight (PVC, PVDF)	[kg]	6.7	7.9	8.9
	Weight (stainless steel)	[kg]	7.2	8.3	9.1
	Diaphragm diameter	[mm]	74	97	117
Sound pressure	Max. sound pressure level	[dB(A)]	80		
Approvals		CE, CSA-US, NSF61, EAC, ACS, RCM			

- 1) Data is based on measurements with water
- 2) Maximum suction lift: 1 m, dosing capacity reduced (approx. 30 %)
- 3) Length of inlet line: 1.5 m, length of outlet line: 10 m (at max. viscosity)
- 4) FS = Full-scale, SP = Setpoint

4.2 Technical data for CIP (Clean-In-Place) applications

Short-term temperature limits for max. 40 minutes at max. 2 bar operating pressure:

Max. liquid temperature for dosing head material PVDF	[°C]	85
Max. liquid temperature for dosing head material stainless steel	[°C]	120



The dosing head material Polyvinyl chloride (PVC) must not be used in CIP applications.

4.3 Dimensions

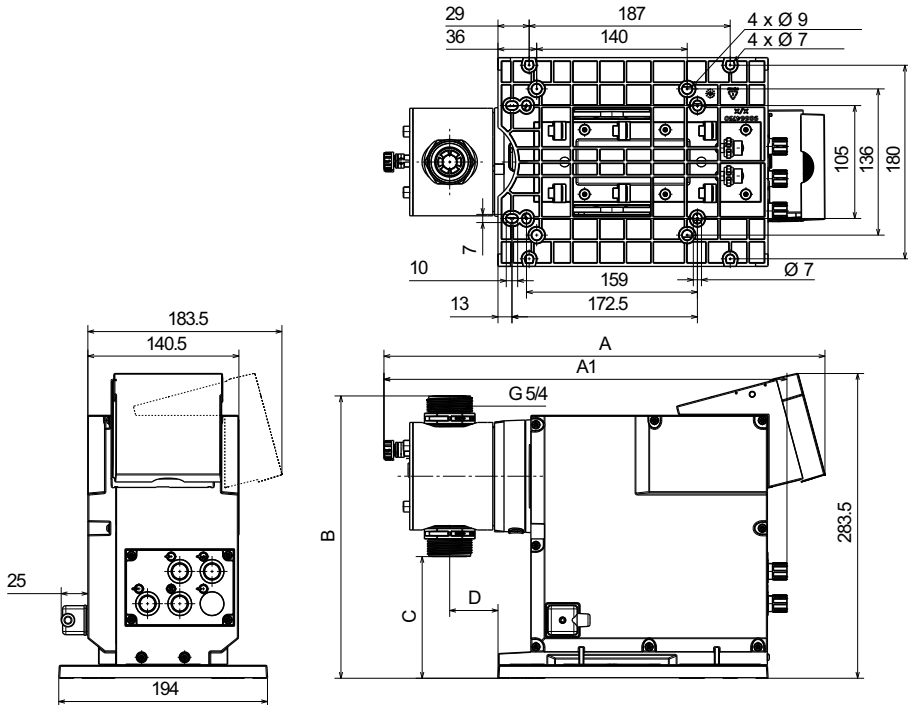


Fig. 4 Dimensional sketch

Pump type	Dosing head material	A [mm]	A1 [mm]	B [mm]	C [mm]	D [mm]
DDE 60-10	PVC/PV	410	374	263	112	45
DDE 60-10	SS	405	364	263	112	45
DDE 120-7	PVC/PV	410	374	276.5	97	45
DDE 120-7	SS	405	364	276.5	97	45
DDE 200-4	PVC/PV	410	374	287.5	88	45
DDE 200-4	SS	405	364	287.5	88	45

TM06 7312 4218

5. Assembly and installation

5.1 Pump assembly



Install the pump in such a way that the plug can easily be reached by the operator during operation. This will enable the operator to separate the pump from the power supply quickly in case of emergency.

5.1.1 Requirements

- The installation location must be protected from rain, humidity, condensation, direct sunlight and dust.
- The installation location must have sufficient lighting to ensure safe operation.
- Observe the permissible ambient conditions. See section [4.1 Technical data](#).
- The mounting surface must be stable.
- The mounting plate must be mounted horizontally e.g. on a tank.
- Dosing must flow upwards vertically.

5.1.2 Aligning and installing the mounting plate

The mounting plate can be used as a drill template, please see [fig. 4](#) for drill hole distances.

1. Indicate drill holes.
2. Drill holes.
3. Secure mounting plate using four screws on a bracket or a tank.

5.1.3 Installing the pump on the mounting plate

1. Remove the locking screws from their transport position on the mounting plate.
2. Place the pump on the mounting plate support clamps and slide it in as far as possible.
 - The mounting plate moves into the final position when you tighten the locking screws.
3. Carefully screw in and tighten the 2 horizontal locking screws using a torque wrench.
 - Wrench size: TORX PLUS 15 IP
 - Torque [Nm]: 1.7 (+/- 0.2)

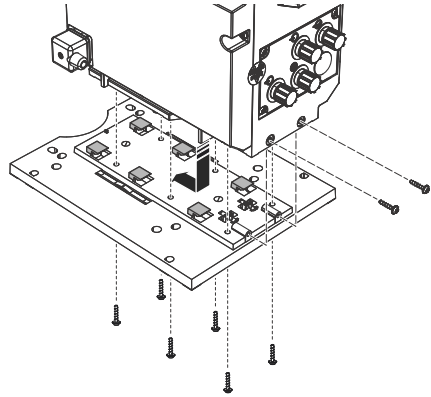


Fig. 5 Installing the pump on the mounting plate

4. For applications where the mounting surface vibrates, or if the pump is installed in a system during transport, secure the pump on the mounting plate with the 6 vertical safety screws using a torque wrench.
 - Wrench size: TORX PLUS 15 IP
 - Torque [Nm]: 1.7 (+/- 0.2)

TM06 7313 4218

5.1.4 Adjusting the control cube position

The control cube is fitted to the front of the pump on delivery. It can be turned by 90 ° so that the user can select to operate the pump from the right or left side.



Install the control cube correctly to ensure the enclosure class (IP65 / Nema 4X) and shock protection.

1. Switch off the power supply.
2. Carefully remove both protective caps on the control cube using a thin screwdriver.
3. Remove the screws.
 - Wrench size: TORX PLUS 15 IP
4. Carefully lift off the control cube only so far from the pump housing that no tensile stress is produced on the flat band cable.
 - Make sure no liquid enters the housing.
5. Turn the control cube by 90 ° and re-attach.
 - Make sure the O-ring is placed correctly.
6. Push down the cube and tighten the screws using a torque wrench.
 - Torque [Nm]: 1.7 (± 0.2)
7. Attach the protective caps observing the correct orientation.

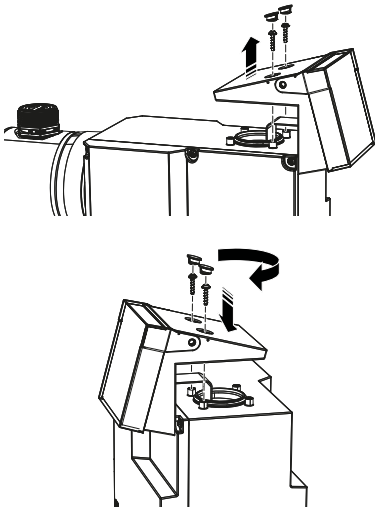


Fig. 6 Adjusting control cube

TM06 7314 2916

5.2 Hydraulic connection

WARNING

Chemical hazard



Death or serious personal injury

- Observe the material safety data sheet of the dosing medium.
- Wear protective clothing (gloves and goggles) when working on the dosing head, connections or lines.

The dosing head may contain water from the factory check. When dosing media which should not come into contact with water, another medium must be dosed beforehand.

Faultless function can only be guaranteed in conjunction with lines supplied by Grundfos.

The lines used must comply with the pressure limits as per section [4.1 Technical data](#).

Important information on installation

- Observe suction lift and line diameter. See section [4.1 Technical data](#).
- Shorten hoses and pipes at right angles.
- Ensure that there are no loops or kinks in the hoses.
- Keep inlet line as short as possible.
- Route inlet line up towards the inlet valve.
- Installing a strainer in the inlet line protects the entire installation against dirt and reduces the risk of leakage.
- Install a pressure-relief valve in the outlet line to provide protection against impermissibly high pressure.
- We recommend the installation of a pulsation damper downstream the pump:
 - for pipe installations.
 - for hose installations where the pump is operated with ≥ 75 % of its dosing capacity.



Pressure differential between inlet and outlet side must be at least 1 bar / 14.5 psi.

Hose connection, type U3U3

For details on connection types, see section [3.5 Type key](#).

1. Make sure the system is pressureless.
2. Push union nut (2) and hose clamp (3) across hose (4).
3. Push hose (4) completely onto hose connector (1) and tighten hose clamp (3).
4. Install hose connector (1) with union nut (2) at inlet and outlet valve.
 - Make sure the gasket at the valve is placed correctly.
 - Tighten union nuts manually. Do not use tools.
 - If using PTFE gaskets, retighten union nuts after 2-5 operating hours.
5. Attach a deaeration hose to the corresponding connection (see fig. 3, pos. 12) and run it into a suitable container or collecting tray.

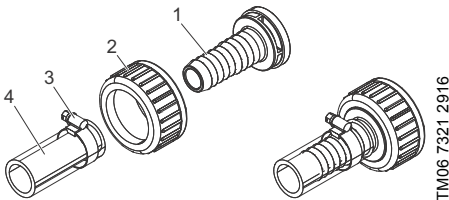


Fig. 7 Hydraulic connection

Pipe connection, type U3U3

For details on connection types, see section [3.5 Type key](#).

1. Make sure the system is pressureless.
2. Push union nut (2) across pipe (3).
3. For PVC pipe:
Glue inlay (1) to end of pipe (3) according to pipe manufacturer's specification.
4. For PVDF pipe:
Weld inlay (1) to end of pipe (3) according to pipe manufacturer's specification.
5. Install pipe with union nut (2) at inlet and outlet valve.
 - Make sure the gasket at the valve is placed correctly.
 - Tighten union nuts manually. Do not use tools.
 - If using PTFE gaskets, retighten union nuts after 2-5 operating hours.
6. Attach a deaeration hose to the corresponding connection (see fig. 3, pos. 12) and run it into a suitable container or collecting tray.

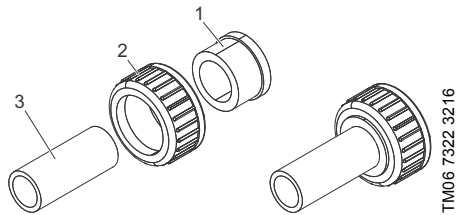
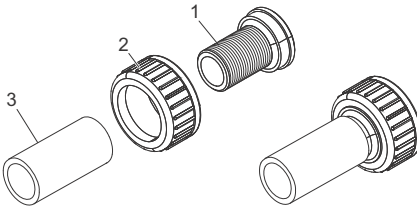


Fig. 8 Hydraulic connection

Pipe connection, types A1A1, A3A3, A7A7

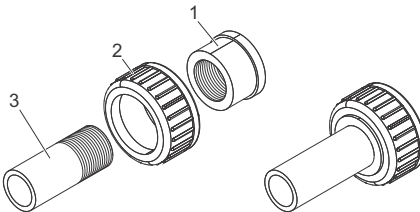
For details on connection types, see section [3.5 Type key](#).

1. Make sure the system is pressureless.
2. Push union nut (2) across pipe (3).
3. Apply appropriate sealing material to thread of inlay (1).
4. Screw inlay (1) to end of pipe (3).
5. Install pipe with union nut (2) at inlet and outlet valve.
 - Make sure the gasket at the valve is placed correctly.
 - Tighten union nuts manually. Do not use tools.
 - If using PTFE gaskets, retighten union nuts after 2-5 operating hours.
6. Attach a deaeration hose to the corresponding connection (see fig. 3, pos. 12) and run it into a suitable container or collecting tray.



TM06 7323 3216

Fig. 9 Hydraulic connection, type A7A7



TM06 7324 3216

Fig. 10 Hydraulic connection, type A1A1, A3A3

5.3 Electrical connection

Mains connection

The mains plug is the separator separating the pump from the mains.

All electrical connections must be carried out by a qualified electrician in accordance with local regulations.

The pump can start automatically when the power supply is switched on.

CAUTION



Automatic startup

Minor or moderate personal injury

- Make sure the pump has been correctly installed and is ready to be started before you switch on the power supply.

The enclosure class (IP65 / Nema 4X) is only guaranteed if plugs or protective caps are correctly installed.

Do not manipulate mains plug or cable.

The rated voltage of the pump must conform to local conditions. See section [3.4 Nameplate](#).

The pump is supplied with assembled mains cable and plug.

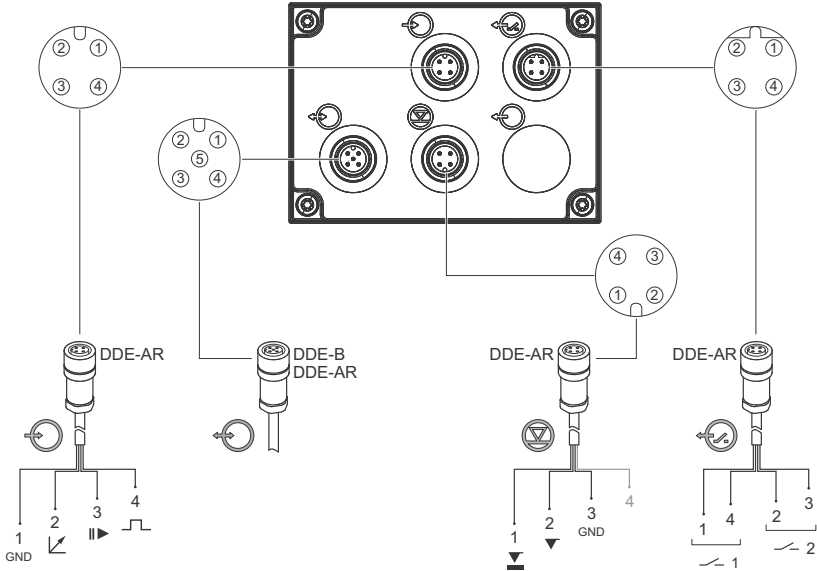
1. Set capacity adjusting knob to 0 % (see [7.1 Operating elements](#)).
2. Connect the mains plug with the mains socket.

Signal connections

WARNING

Electric shock

- Death or serious personal injury
- Electric circuits of external devices connected to the pump inputs must be separated from dangerous voltage by means of double or reinforced insulation!



TM06 7315 3216

Fig. 11 Wiring diagram of the electrical connections

Symbol	Function	Pin assignment			
		1/brown	2/white	3/blue	4/black
	Analog	GND/(-) mA	(+) mA		
	External stop	GND		X	
	Pulse	GND			X
	Low-level signal	X		GND	
	Empty signal		X	GND	
	Service connection (only for Grundfos service)				
		1/brown	2/white	3/blue	4/black
	Relay 1	X			X
	Relay 2		X	X	

6. Startup

6.1 Preparing the pump for startup

CAUTION

Chemical hazard

- Minor or moderate personal injury
- Observe the material safety data sheet of the dosing medium.
 - Wear protective clothing (gloves and goggles) when working on the dosing head, connections or lines.
 - Collect and dispose of all chemicals in a way that is not harmful to humans, animals and the environment.



The pump can start automatically when the power supply is switched on.

CAUTION

Automatic startup

- Minor or moderate personal injury
- Make sure the pump has been correctly installed and is ready to be started before you switch on the power supply.



Tighten the dosing head screws with a torque wrench before startup and every time the dosing head has been opened. After 48 operating hours, retighten the dosing head screws using a torque wrench. Torque [Nm]: 6 (+ 1).



- Make sure the pump has been connected electrically by a qualified person.
- Make sure the power supply specified on the nameplate matches the local conditions.
- Check that all pipe or hose connections have been tightened properly and tighten them, if necessary. See section [5.2 Hydraulic connection](#).

6.2 Starting up and deaerating the pump

1. Read section [6.1 Preparing the pump for startup](#).
2. Set the capacity adjusting knob to 0 %.
3. Switch on the power supply.
4. Open the deaeration valve by approximately half a turn.

WARNING

Pressurised dosing medium

- Death or serious personal injury
- Do not open the deaeration valve by more than one full turn.



5. DDE-AR control variant:
Press the [100%] key and hold it down until liquid flows out of the deaeration hose continuously and without any bubbles.
 6. DDE-B control variant:
Turn the capacity adjusting knob to 100 % and wait, until liquid flows out of the deaeration hose continuously and without any bubbles. Then set the capacity adjusting knob back to 0 %.
 7. Close the deaeration valve.
- The pump is deaerated.

7. Operation

7.1 Operating elements

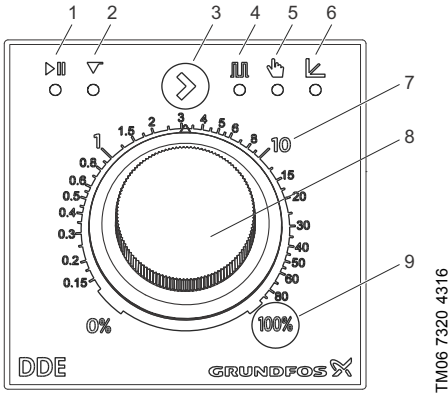


Fig. 12 Operating elements

TM06 7320 4316

7.1.1 Capacity adjusting knob

The capacity adjusting knob is used to set the capacity in percent of the maximum dosing flow of the pump. Due to the logarithmic increase of the percent values, even small dosing capacities can be set accurately.

7.1.2 LEDs (DDE-B)

The LEDs indicate the following operating statuses and faults:

LED status		Pump status	Description
▶	👉		
	●	Running	
	○	Stop	Capacity adjusted to 0 %
○		Standby*	An alarm is active. See section 9. Faults .

● = LED on

○ = LED flashing

empty table cell = LED off

* For some alarms the pump tries to restart periodically. Observe section 9. [Faults](#).

Pos.	Description	Control variant	
		B	AR
<i>Status LEDs:</i>			
1	An alarm is active. See section 9. Faults . (red)	●	●
	External stop (red)		●
2	Tank level (yellow)		●
3	[Operation mode] key		●
<i>Operation mode LEDs (green):</i>			
4	Pulse		●
5	Manual	●	●
6	Analog		●
7	Logarithmic scale	●	●
8	Capacity adjusting knob	●	●
9	[100%] key		●

7.1.3 Keys and LEDs (DDE-AR)

When pressing and holding down the [100%] key, the pump doses at 100 % for a certain time. The [100%] key can be used e.g. for deaeration.

The [Operation mode] key is used to change the operation mode. See section [7.2.4 Changing the operation mode](#).

The operation mode LEDs indicate the active operation mode. Only one operation mode can be active at a time. Together with the status LEDs, the operation mode LEDs indicate the following statuses and faults:

LED status					Pump status	Description
▶	▽		☞	⏴		
			●		Running	
			○		Stop	Capacity adjusted to 0 %
	●				Running	
		○			Standby	No incoming pulses
			●		Running	
				○	Standby	Analog signal < 4.1 mA
	○		●		Running	Low-level in tank
	●		○		Standby	Tank empty
	●		○		Standby	External stop activated
○					Standby*	An alarm is active. See section 9. Faults .

● = LED on

○ = LED flashing

empty table cell = LED off

* For some alarms the pump tries to restart periodically. Observe section [9. Faults](#).

7.2 Operation modes

Following operation modes are available:

- **Manual**, see section [7.2.1 Manual](#)
- **Pulse (DDE-AR)**, see section [7.2.2 Pulse](#)
- **Analog (DDE-AR)**, see section [7.2.3 Analog](#)

7.2.1 Manual

In this operation mode, the pump doses constantly the dosing quantity set by the adjusting knob.

The setting range depends on the pump type:

Type	Setting range	
	[l/h]	[gph]
DDE 60-10	0.075 - 60	0.0197 - 15.8
DDE 120-7	0.15 - 120	0.04 - 32
DDE 200-4	0.25 - 200	0.066 - 52.8

7.2.2 Pulse

Applies to DDE-AR control variant.

In this operation mode, the pump doses the set dosing volume for each incoming (potential-free) pulse, e.g. from a water meter. The pump automatically calculates the optimum stroke frequency for dosing the set volume per pulse.

The calculation is based on:

- the frequency of external pulses
- the set stroke volume in percent.

The dosing quantity per pulse is set to a value between 0.125 % and 100 % of the stroke volume using the adjusting knob.

The setting range depends on the pump type:

Type	Setting range [ml/pulse]
DDE 60-10	0.0070 - 5.56
DDE 120-7	0.0145 - 11.58
DDE 200-4	0.0242 - 19.3

The frequency of incoming pulses is multiplied by the set dosing volume. If the pump receives more pulses than it can process at the maximum dosing flow, it runs at the maximum stroke frequency in continuous operation. Excess pulses will be ignored.

7.2.3 Analog

Applies to DDE-AR control variant.

In this operation mode, the pump doses according to the external analog signal. The dosing volume is proportional to the signal input value in mA. The input signal must be 4-20 mA.

The maximum dosing volume can be changed via the capacity adjusting knob.

Example:

Set capacity [%]	Input signal [mA]	Dosing flow [%]
100	≤ 4.1	0
	≥ 19.8	100
50	≤ 4.1	0
	≥ 19.8	50
1	≤ 4.1	0
	≥ 19.8	1

7.2.4 Changing the operation mode

Applies to DDE-AR control variant.

1. Set adjusting knob to 0 %.
2. Connect power supply. See section [5.3 Electrical connection](#).
3. Hold down the [Operation mode] key until the next operation mode is activated.
 - The operation mode LED indicates the active operation mode.
 - Repeat until the desired operation mode is active.

7.3 Inputs/outputs

Applies to DDE-AR control variant.

7.3.1 External stop



The pump can be stopped via an external contact, e.g. from a control room.



Frequent disengagement from the mains voltage, e.g. via a relay, can result in damage to the pump electronics and reduces the dosing accuracy.

We strongly recommend only to use the external stop signal to start and stop the pump.

When activating the external stop signal, the pump switches to operating state "Standby". The active operation mode LED flashes green and the red external stop LED is on.

The contact type can be changed. See section [7.3.4 Change settings](#).

7.3.2 Empty and low-level signals



In order to monitor the filling level in the tank, a dual-level sensor can be connected to the pump. The pump responds to the signals as follows:

Sensor signal	Pump status
Low level	<ul style="list-style-type: none"> • LED flashes • Pump continues running
Empty	<ul style="list-style-type: none"> • LED on • Pump stops dosing

The contact type can be changed. See section [7.3.4 Change settings](#).

CAUTION



Automatic startup

- Minor or moderate personal injury
- When the tank is filled up again, the pump restarts automatically.

7.3.3 Relay outputs

Applies to DDE-AR control variant.

The pump can switch two external signals using internal relays. The relay outputs are potential-free. The connection diagram of the relays is shown in section [5.3 Electrical connection](#).

Relay 1 is allocated with the alarm signals (see section [9. Faults](#)) as standard. Relay 2 can be allocated with the following signals:

Relay 2 signal	Description
Low-level signal*	low level in tank
Stroke signal	each full stroke
Pulse input**	each incoming pulse from pulse input

* Default setting

** The correct transmission of incoming pulses can only be guaranteed up to a pulse frequency of 5 Hz.














Continuous operation of the relays on a high frequency reduces the relay lifetime significantly.

7.3.4 Change settings

The signal inputs (level signals, external stop) and the relay outputs are configured at the factory as normally open (NO) contacts. They can be re-configured as normally closed (NC) contacts. Relay 2 can be allocated with different signals.

The activated settings are indicated by the status LEDs when the pump is in the setup mode. For entering the setup mode and changing settings, proceed as follows:

1. Set adjusting knob to 0 %.
2. Connect power supply. See section [5.3 Electrical connection](#).
3. Press [100%] key and [Operation mode] key simultaneously and hold them down for at least 5 seconds.
 - The pump switches into setup mode 1. The active setup mode is indicated by the operation mode LEDs.
 - The current setting is indicated by the status LEDs.
4. Make the desired settings according to the following table:

		Switch setup modes with [Operation mode] key: 		
		Setup mode 1    ● ●	Setup mode 2    ● ●	Setup mode 3    ● ●
Change setting with [100%] key: 	LED status ▷ ▮ ▽ ●	NO*	NO*	Low-level signal
	▷ ▮ ▽ ●	NC	NC	Stroke signal
	▷ ▮ ▽ ● ●	-	-	Pulse input
LED status		Contact type of signal inputs (low-level, empty and external stop)	Contact type of relay outputs	Allocated signal of Relay 2
setup mode description				

* Default setting.

5. To exit setup mode, keep [100%] key and [Operation mode] key simultaneously pressed for at least 1 second.

8. Service

In order to ensure a long service life and dosing accuracy, wearing parts such as diaphragms and valves must be regularly checked for signs of wear. Where necessary, replace worn parts with original spare parts made from suitable materials.

For the full range of service kits and spare parts see the service kit catalogue:

- http://net.grundfos.com/qr/li/96488862_23

or the Grundfos Product Center:

- <https://product-selection.grundfos.com>

Should you have any questions, please contact your Grundfos service partner.



Maintenance work must only be carried out by qualified persons.

The pump housing must only be opened by persons authorised by Grundfos. Observe section [8.5 Repairs](#).

8.1 Regular maintenance

Interval	Task
	Check, if liquid leaks from the drain opening on the dosing head and if the drain opening is blocked or soiled. See fig. 13-14 , pos. 8. If so, follow the instructions given in section 8.4 Diaphragm leakage .
Daily	Check, if liquid leaks from the dosing head or valves. If necessary, tighten dosing head screws with a torque wrench. Torque [Nm]: 6 (+ 1). If necessary, tighten valves and cap nuts, or perform service (see 8.3 Perform service).
Weekly	Clean all pump surfaces with a dry and clean cloth.
Every 3 months	Check dosing head screws. If necessary, tighten dosing head screws with a torque wrench. Torque [Nm]: 6 (+ 1). Replace damaged screws immediately.
Every 2 years or 8000 operating hours*	Replace diaphragm and valves (see 8.3 Perform service)

- * For media which result in increased wear, the service interval must be shortened.

8.2 Cleaning

If necessary, clean all pump surfaces with a dry and clean cloth.

8.3 Perform service

Only spare parts and accessories from Grundfos should be used for maintenance. The usage of non-original spare parts and accessories renders any liability for resulting damages null and void.

CAUTION

Chemical hazard

Minor or moderate personal injury

- Observe the material safety data sheet of the dosing medium.
- Wear protective clothing (gloves and goggles) when working on the dosing head, connections or lines.
- Collect and dispose of all chemicals in a way that is not harmful to humans, animals and the environment.



Before starting work on the pump, the pump must be disconnected from the power supply. The system must be pressureless.

8.3.1 Service overview

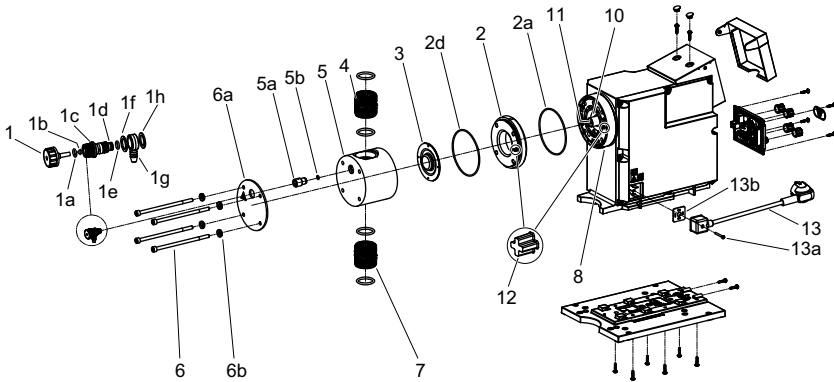


Fig. 13 DDE 60-10

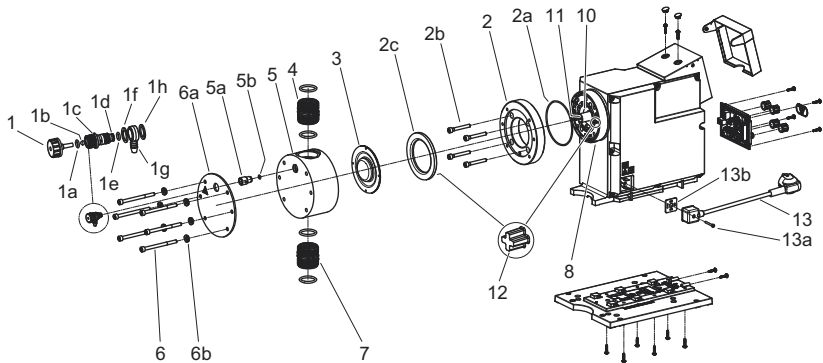


Fig. 14 DDE 120-7 / DDE 200-4

Pos.	Components
1	Deaeration screw
1a, 1e	O-ring
1b	Valve ball
1c	Valve housing
1d	Groove for O-ring
1f, 1h	Flat gasket
1g	Hose nipple
2	Flange
2a, 2d	O-ring
2b	Screws
2c	Intermediate ring
3	Diaphragm
4	Valve on outlet side
5	Dosing head
5a	Double nipple
5b	O-ring
6	Screws

Pos.	Components
6a	Cover plate (plastic dosing heads only)
6b	Washers (stainless steel dosing heads only)
7	Valve on inlet side
8	Drain opening
10	Safety diaphragm
11	Extension piece
12	Alignment pin
13	Mains cable
13a	Safety screw
13b	Gasket

TM07 2436 4718

TM07 2471 4718

8.3.2 Dismantling the dosing head, diaphragm and valves



If the diaphragm is possibly damaged, don't connect the pump to the power supply! Proceed as described in section [8.4 Diaphragm leakage](#).

This section refers to fig. [13-14](#).

1. Put on the stipulated personal protective equipment.
2. Set adjusting knob to 0 %.
3. Switch off the power supply.
4. Make system pressureless.
5. Take suitable steps to ensure that the returning liquid is safely collected.
6. Empty dosing head and flush it if necessary.
7. Dismantle inlet, outlet and deaeration lines.
8. Unscrew valves on inlet and outlet side (4, 7).
9. For plastic dosing head:
 - Remove screws (6).
 - Remove dosing head (5) together with cover plate (6a).
10. For stainless steel dosing head:
 - Remove screws (6) together with washers (6b).
 - Remove dosing head (5).
11. Unscrew diaphragm (3) counter-clockwise and remove it.
12. DDE 60-10:
 - Remove flange (2) together with O-rings (2a, 2d).
13. DDE 120-7 / DDE 200-4:
 - Remove intermediate ring (2c).
 - Remove screws (2b) together with flange (2) and O-ring (2a).
14. Make sure the drain opening (8) is not blocked or soiled. Clean if necessary.
15. Check the safety diaphragm (10) for wear and damage. If the safety diaphragm is damaged, send the pump to Grundfos for repair. See section [8.5 Repairs](#).

If nothing indicates that dosing liquid has entered the pump housing, go on as described in section [8.3.3 Reassembling the dosing head, diaphragm and valves](#). Otherwise proceed as described in section [8.4.2 Dosing liquid in the pump housing](#).

8.3.3 Reassembling the dosing head, diaphragm and valves

The pump must only be reassembled, if nothing indicates that dosing liquid has entered the pump housing. Otherwise proceed as described in section [8.4.2 Dosing liquid in the pump housing](#).

This section refers to fig. [13-14](#).

1. DDE 60-10:
 - Place new O-rings (2a, 2d) in the grooves at flange (2) and make sure they are seated correctly.
 - Attach flange (2) observing alignment pin (12).
2. DDE 120-7 / DDE 200-4:
 - Install flange (2) and new O-ring (2a) with screws (2b) observing alignment pin (12). Make sure the O-ring is seated correctly.
 - Cross-tighten screws (2b) with a torque wrench. Torque [Nm]: 6 (+ 1).
 - Attach intermediate ring (2c) to flange (2) observing alignment pin (12).
3. Screw on the new diaphragm (3) clockwise.
 - Make sure the diaphragm is screwed on completely and fully resting on extension piece (11).
4. Switch on the power supply.
5. Turn the adjusting knob slowly to bring the diaphragm into its service position "inside" (end of suction phase, diaphragm retracted). Set adjusting knob back to 0 %.
6. Close the cover to avoid unintended manipulation of the adjusting knob.
7. Attach dosing head (5).
 - DDE 60-10: Observe alignment pin (12).
8. For plastic dosing head:
 - Install screws (6) through cover plate (6a).
9. For stainless steel dosing head:
 - Install screws (6) with washers (6b).
10. Cross-tighten screws (6) with a torque wrench.
 - Torque [Nm]: 6 (+ 1).
11. Install new valves (4, 7).
 - Pay attention to the flow direction arrow.
 - Make sure the O-rings are seated correctly.
12. Perform hydraulic connection. See section [5.2 Hydraulic connection](#).



Tighten the dosing head screws with a torque wrench before startup and every time the dosing head has been opened. After 48 operating hours, retighten the dosing head screws using a torque wrench. Torque [Nm]: 6 (+ 1).

13. Deaerate dosing pump. See section [6.2 Starting up and deaerating the pump](#).
14. Observe the notes on commissioning in section [6. Startup](#).

8.3.4 Replacing the deaeration valve

This procedure requires a special tool kit. See service kit catalogue:

- http://net.grundfos.com/qr/li/96488862_23

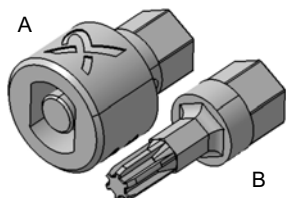


Fig. 15 Special tool kit

TM07 2852 4218

Pos.	Description
A	Special tool for valve housing
B	Special tool for double nipple

This section refers to fig. 13-14.

- Put on the stipulated personal protective equipment.
- Switch off the power supply.
- Make system pressureless.
- Take suitable steps to ensure that the returning liquid is safely collected.
- Empty dosing head and flush it if necessary.
- Dismantle deaeration line.
- Manually unscrew deaeration screw (1).
 - Do not use any tools, otherwise deaeration valve parts can break.
 - O-ring (1a) normally remains on the deaeration screw.
 - Valve ball (1b) normally remains in valve housing (1c).
- Use special tool (A) to unscrew valve housing (1c) from double nipple (5a).
- Remove hose nipple (1g) and flat gaskets (1f, 1h).
- Use special tool (B) to unscrew double nipple (5a).

Reassemble the deaeration valve with new parts as follows:

- Put in O-ring (5b).
- Use special tool (B) to screw in the new double nipple (5a) carefully with a torque wrench.
 - Torque [Nm]: 3 (+/- 0.2).
- Make sure that O-ring (1e) is seated correctly in groove (1d).
- Put flat gasket (1f) followed by hose nipple (1g) and flat gasket (1h) onto valve housing (1c).
- Use special tool (A) to screw in valve housing (1c) into double nipple (5a) carefully with a torque wrench.
 - Torque [Nm]: 2 (+/- 0.2).
- Make sure that O-ring (1a) is placed correctly on deaeration screw (1).
- Check that valve ball (1b) is correctly pre-assembled in valve housing (1c).
- Manually screw in deaeration screw (1).
- Deaerate the dosing pump. See section [6.2 Starting up and deaerating the pump](#).
- Observe the notes on commissioning in section [6. Startup](#).

8.3.5 Replacing the mains cable

All electrical connections must be carried out by a qualified electrician in accordance with local regulations.

- Switch off the power supply.
- Unscrew safety screw (13a).
- Replace mains cable (13) and gasket (13b).
- Carefully screw in safety screw (13a) with a torque wrench.
 - Torque [Nm]: 0.4 (+/- 0.1)

The pump can start automatically when the power supply is switched on.

CAUTION

Automatic startup



- Minor or moderate personal injury
- Make sure the pump has been correctly installed and is ready to be started before you switch on the power supply.

The enclosure class (IP65 / Nema 4X) is only guaranteed if plugs or protective caps are correctly installed.

Do not manipulate mains plug or cable.

8.4 Diaphragm leakage

If the diaphragm leaks or is broken, dosing liquid escapes from the drain opening on the dosing head. See fig. 3, pos. 16.

In case of diaphragm leakage, the safety diaphragm (fig. 13-14, pos. 10) protects the pump housing against ingress of dosing liquid.

When dosing crystallising liquids the drain opening can be blocked by crystallisation. If the pump is not taken out of operation immediately, a pressure can build up between the diaphragm (fig. 13-14, pos. 3) and the safety diaphragm. The pressure can press dosing liquid through the safety diaphragm into the pump housing.

Most dosing liquids don't cause any danger when entering the pump housing. However a few liquids can cause a chemical reaction with inner parts of the pump. In the worst case, this reaction can produce explosive gases in the pump housing.

WARNING

Danger of explosion, if dosing liquid has entered the pump housing!

Death or serious personal injury
Operation with damaged diaphragm can lead to dosing liquid entering the pump housing.

- In case of diaphragm leakage, immediately separate the pump from the power supply!
- Make sure the pump cannot be put back into operation by accident!
- Dismantle the dosing head without connecting the pump to the power supply and make sure no dosing liquid has entered the pump housing. Proceed as described in section [8.4.1 Dismantling the dosing head, diaphragm and valves in case of diaphragm leakage](#).



To avoid any danger resulting from diaphragm leakage, observe the following:

- Perform regular maintenance. See section [8.1 Regular maintenance](#).
- Never operate the pump with blocked or soiled drain opening.
 - If the drain opening is blocked or soiled, proceed as described in section [8.4.1 Dismantling the dosing head, diaphragm and valves in case of diaphragm leakage](#).
- Take suitable precautions to prevent harm to health and damage to property from escaping dosing liquid.
- Never operate the pump with damaged or loose dosing head screws.

8.4.1 Dismantling the dosing head, diaphragm and valves in case of diaphragm leakage



Do not connect the pump to the power supply!

This section refers to fig. 13-14.

1. Put on the stipulated personal protective equipment.
2. Make system pressureless.
3. Take suitable steps to ensure that the returning liquid is safely collected.
4. Empty dosing head and flush it if necessary.
5. Dismantle inlet, outlet and deaeration lines.
6. Unscrew valves on inlet and outlet side (4, 7).
7. For plastic dosing head:
 - Remove screws (6).
 - Remove dosing head (5) together with cover plate (6a).
8. For stainless steel dosing head:
 - Remove screws (6) together with washers (6b).
 - Remove dosing head (5).
9. Unscrew diaphragm (3) counter-clockwise and remove it.
10. DDE 60-10:
 - Remove flange (2) together with O-rings (2a, 2d).
11. DDE 120-7 / DDE 200-4:
 - Remove intermediate ring (2c).
 - Remove screws (2b) together with flange (2) and O-ring (2a).
12. Make sure the drain opening (8) is not blocked or soiled. Clean if necessary.
13. Check the safety diaphragm (10) for wear and damage. If the safety diaphragm is damaged, send the pump to Grundfos for repair. See section [8.5 Repairs](#).

If nothing indicates that dosing liquid has entered the pump housing, go on as described in section [8.3.3 Reassembling the dosing head, diaphragm and valves](#). Otherwise proceed as described in section [8.4.2 Dosing liquid in the pump housing](#).

8.4.2 Dosing liquid in the pump housing



Immediately separate the pump from the power supply!

Make sure the pump cannot be put back into operation by accident!

If dosing liquid has entered the pump housing:

- Send the pump to Grundfos for repair, following the instructions given in section [8.5 Repairs](#).
- If a repair isn't economically reasonable, dispose of the pump observing the information in section [10. Disposal](#).

8.5 Repairs



The pump housing must only be opened by persons authorised by Grundfos.

Repairs must only be carried out by authorised and qualified persons.

For pump repair contact your local Grundfos supplier. If your local Grundfos supplier asks you to send the pump to Grundfos for repair, fill in the safety declaration in English and attach it to the pump for shipping. The safety declaration can be found at the end of these instructions.



The pump must be cleaned prior to dispatch!

If dosing liquid has possibly entered the pump housing, state that explicitly in the safety declaration! Observe section [8.4 Diaphragm leakage](#).

If the above requirements are not met, Grundfos may refuse to accept delivery of the pump. The shipping costs will be charged to the sender.

Observe section [2.3 Transport](#).

9. Faults

In the event of faults, a warning or an alarm is triggered. Active faults are indicated by the LEDs.

In case of a warning the pump continues running.

In case of an alarm the pump stops dosing.

For some alarms the pump tries to restart periodically. To initiate a restart attempt manually, set the adjusting knob to 0 % for 2 seconds. When the cause of the alarm has been remedied, the pump starts automatically and switches back to normal operation.

CAUTION



Automatic startup

Minor or moderate personal injury



- Before remedying the cause of the fault, make sure the pump is ready to be started.
- Before starting work on the pump, the pump must be disconnected from the power supply. The system must be pressureless.

9.1 Indicated faults for DDE-B

LED status		Pump status	Fault	Possible cause	Possible remedy
					
○		Standby*	Motor blocked (Alarm)	• Backpressure greater than nominal pressure	• Reduce backpressure. Observe section 4.1 Technical data .
				• Incorrectly installed diaphragm	• Install the diaphragm correctly.
				• Damage to gears • Hall sensor failure • Motor failure	• Contact your Grundfos service partner.
				• Leaky/dirty outlet valve. Dosing medium flows back from the outlet line into the dosing head and moves the motor. • Inlet pressure too high. Dosing medium flows from the inlet line into the dosing head and moves the motor.	• Replace valve if necessary. See section 8.3 Perform service . • Install screen in inlet line. • Reduce inlet pressure. Observe section 4.1 Technical data .
			Cavitation (Alarm)	• Blocked / constricted / squeezed inlet line • Blocked/constricted inlet valve • Suction lift too high • Viscosity too high • Cavitation moves the motor	• Reduce suction lift. • Increase inlet line diameter. • Check inlet line and open isolating valve if necessary.
			Motor overheated (Alarm)	• Ambient temperature to high	• Reduce ambient temperature. • Stop pump until motor cools down.

○ = LED flashing

empty table cell = LED off

* For some alarms the pump tries to restart periodically.

9.2 Indicated faults for DDE-AR

LED status					Pump status	Fault	Possible cause	Possible remedy
▶	▽	▮	✎	⏏				
	○		●		Running	Low-level in tank (Warning)	<ul style="list-style-type: none"> Dosing medium tank almost empty 	<ul style="list-style-type: none"> Fill tank. Check contact setting (NO/NC).
	●		○		Standby	Tank empty (Alarm)	<ul style="list-style-type: none"> Dosing medium tank empty 	
				○	Standby	External stop activated (Status message)	<ul style="list-style-type: none"> External stop signal is activated 	<ul style="list-style-type: none"> Deactivate external stop signal to start the pump again. Check contact setting (NO/NC).
	○				Standby*	Motor blocked (Alarm)	<ul style="list-style-type: none"> Backpressure greater than nominal pressure 	<ul style="list-style-type: none"> Reduce backpressure. Observe section 4.1 Technical data.
							<ul style="list-style-type: none"> Incorrectly installed diaphragm 	<ul style="list-style-type: none"> Install the diaphragm correctly.
							<ul style="list-style-type: none"> Damage to gears Hall sensor failure Motor failure 	<ul style="list-style-type: none"> Contact your Grundfos service partner.
							<ul style="list-style-type: none"> Leaky/dirty outlet valve. Dosing medium flows back from the outlet line into the dosing head and moves the motor. Inlet pressure too high. Dosing medium flows from the inlet side into the dosing head and moves the motor. 	<ul style="list-style-type: none"> Replace valve if necessary. See section 8.3 Perform service. Install screen in inlet line. Reduce inlet pressure. Observe section 4.1 Technical data.
					Motor overheated (Alarm)	<ul style="list-style-type: none"> Ambient temperature to high 	<ul style="list-style-type: none"> Reduce ambient temperature. Stop pump until motor cools down. 	
					Cavitation (Alarm)	<ul style="list-style-type: none"> Blocked / constricted / squeezed inlet line Blocked/constricted inlet valve Suction lift too high Viscosity too high Cavitation moves the motor 	<ul style="list-style-type: none"> Reduce suction lift. Increase inlet line diameter. Check inlet line and open isolating valve if necessary. 	

● = LED on

○ = LED flashing

empty table cell = LED off

* For some alarms the pump tries to restart periodically.

9.3 General faults

Fault	Possible cause	Possible remedy	
Dosing flow too high	Inlet pressure greater than backpressure	Install additional spring-loaded valve (approx. 2 bar) on the outlet side. Check settings.	
		Increase pressure differential.	
No dosing flow or dosing flow too low	Air in dosing head	Deaerate the pump.	
	Faulty diaphragm	Change the diaphragm. See section 8.3 Perform service .	
	Leakage/fracture in lines	Check and repair lines.	
	Valves leaking or blocked	Check and clean valves.	
	Valves installed incorrectly	Blocked inlet line	Check that the arrow on the valve housing is pointing in the direction of flow. Check whether all O-rings are installed correctly.
			Clean inlet line/install strainer.
	Suction lift too high	Viscosity too high	Reduce suction lift.
			Install priming aid.
	Deaeration valve open	Deaeration valve open	Use lines with larger diameter.
			Install spring-loaded inlet and outlet valve.
Irregular dosing	Valves leaking or blocked	Tighten up valves, replace valves if necessary. See section 8.3 Perform service .	
	Backpressure fluctuations	Keep backpressure constant.	
Liquid escaping from the drain opening on the dosing head	Faulty diaphragm	Immediately separate the pump from the power supply! Observe section 8. Service and especially section 8.4 Diaphragm leakage .	
Liquid escaping	Dosing head screws not tightened	Tighten up screws. See section 5.2 Hydraulic connection .	
	Valves not tightened	Tighten up valves/union nuts. See section 5.2 Hydraulic connection .	
Pump not sucking in	Suction lift too high	Reduce suction lift; if necessary, provide positive inlet pressure.	
	Backpressure too high	Open the deaeration valve.	
	Soiled valves	Flush system, replace valves if necessary. See section 8.3 Perform service .	

10. Disposal

This product or parts of it must be disposed of in an environmentally sound way. Use appropriate waste collection services. If this is not possible, contact the nearest Grundfos company or service workshop.

See also end-of-life information at www.grundfos.com/product-recycling.

Safety declaration

Please copy, fill in and sign this sheet and attach it to the pump returned for service.



Fill in this document using English or German language.

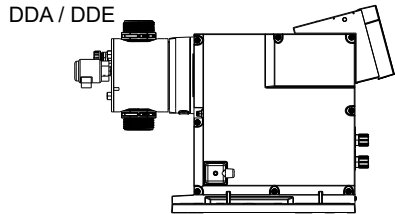
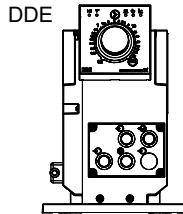
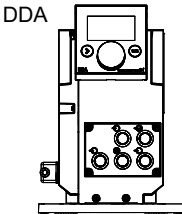
Product type (nameplate) _____

Model number (nameplate) _____

Dosing medium _____

Fault description

Please make a circle around the damaged parts.
In the case of an electrical or functional fault, please mark the cabinet.



TM06 7265 3918

Please describe the error/cause of the error in brief.

Dosing liquid has possibly entered the pump housing.
The pump must not be connected to the power supply! Danger of explosion!

We hereby declare that the pump has been cleaned and is completely free from chemical, biological and radioactive substances.

Date and signature

Company stamp

Argentina

Bombas GRUNDFOS de Argentina S.A.
Ruta Panamericana km. 37.500 Centro
Industrial Garin
1619 - Garin Pcia. de B.A.
Phone: +54-3327 414 444
Telefax: +54-3327 45 3190

Australia

GRUNDFOS Pumps Pty. Ltd.
P.O. Box 2040
Regency Park
South Australia 5942
Phone: +61-8-8461-4611
Telefax: +61-8-8340 0155

Austria

GRUNDFOS Pumpen Vertrieb
Ges. m.b.H.
Grundfosstraße 2
A-5082 Grödig/Salzburg
Tel.: +43-6246-883-0
Telefax: +43-6246-883-30

Belgium

N.V. GRUNDFOS Bellux S.A.
Boomsesteenweg 81-83
B-2630 Aartselaar
Tél.: +32-3-870 7300
Télécopie: +32-3-870 7301

Belarus

Представительство ГРУНДФОС в
Минске
220125, Минск
ул. Шафарнянская, 11, оф. 56, БЦ
«Порт»
Тел.: +7 (375 17) 286 39 72/73
Факс: +7 (375 17) 286 39 71
E-mail: minsk@grundfos.com

Bosnia and Herzegovina

GRUNDFOS Sarajevo
Zmaja od Bosne 7-7A,
BH-71000 Sarajevo
Phone: +387 33 592 480
Telefax: +387 33 590 465
www.ba.grundfos.com
e-mail: grundfos@bih.net.ba

Brazil

BOMBAS GRUNDFOS DO BRASIL
Av. Humberto de Alencar Castelo
Branco, 630
CEP 09850 - 300
São Bernardo do Campo - SP
Phone: +55-11 4393 5533
Telefax: +55-11 4343 5015

Bulgaria

Grundfos Bulgaria EOOD
Slatina District
Iztochna Tangenta street no. 100
BG - 1592 Sofia
Tel. +359 2 49 22 200
Fax. +359 2 49 22 201
email: bulgaria@grundfos.bg

Canada

GRUNDFOS Canada Inc.
2941 Brighton Road
Oakville, Ontario
L6H 6C9
Phone: +1-905 829 9533
Telefax: +1-905 829 9512

China

**Grundfos Alldos
Dosing & Disinfection**
ALLDOS (Shanghai) Water Technology
Co. Ltd.
West Unit, 1 Floor, No. 2 Building (T 4-2)
278 Jinhui Road, Jin Qiao Export
Processing Zone
Pudong New Area
Shanghai, 201206
Phone: +86 21 5055 1012
Telefax: +86 21 5032 0596
E-mail: grundfosalldos-
CN@grundfos.com

China

GRUNDFOS Pumps (Shanghai) Co. Ltd.
10F The Hub, No. 33 Suhong Road
Minhang District
Shanghai 201106
PRC
Phone: +86-21 6122 5222
Telefax: +86-21 6122 5333

COLOMBIA

GRUNDFOS Colombia S.A.S.
Km 1.5 vía Siberia-Cota Conj. Potrero
Chico,
Parque Empresarial Arcos de Cota Bod.
1A,
Cota, Cundinamarca
Phone: +57(1)-2913444
Telefax: +57(1)-8764586

Croatia

GRUNDFOS CROATIA d.o.o.
Buzinski prilaz 38, Buzin
HR-10010 Zagreb
Phone: +385 1 6595 400
Telefax: +385 1 6595 499
www.hr.grundfos.com

**GRUNDFOS Sales Czechia and
Slovakia s.r.o.**

Čapkovského 21
779 00 Olomouc
Phone: +420-585-716 111

Denmark

GRUNDFOS DK A/S
Martin Bachs Vej 3
DK-8850 Bjerringbro
Tlf.: +45-87 50 50 50
Telefax: +45-87 50 51 51
E-mail: info_GDK@grundfos.com
www.grundfos.com/DK

Estonia

GRUNDFOS Pumps Eesti OÜ
Peterburi tee 92G
11415 Tallinn
Tel: + 372 606 1690
Fax: + 372 606 1691

Finland

OY GRUNDFOS Pumput AB
Trukkikuja 1
FI-01360 Vantaa
Phone: +358-(0)207 889 500

France

Pompes GRUNDFOS Distribution S.A.
Parc d'Activités de Chesnes
57, rue de Malacombe
F-38290 St. Quentin Fallavier (Lyon)
Tél.: +33-4 74 82 15 15
Télécopie: +33-4 74 94 10 51

Germany

GRUNDFOS Water Treatment GmbH
Reetzstraße 85
D-76327 Pfinztal (Söllingen)
Tel.: +49 7240 61-0
Telefax: +49 7240 61-177
E-mail: gwt@grundfos.com

Germany

GRUNDFOS GMBH
Schlüterstr. 33
40699 Erkrath
Tel.: +49-(0) 211 929 69-0
Telefax: +49-(0) 211 929 69-3799
E-mail: infoservice@grundfos.de
Service in Deutschland:
E-mail: kundendienst@grundfos.de

Greece

GRUNDFOS Hellas A.E.B.E.
20th km. Athinon-Markopoulou Av.
P.O. Box 71
GR-19002 Peania
Phone: +0030-210-66 83 400
Telefax: +0030-210-66 46 273

Hong Kong

GRUNDFOS Pumps (Hong Kong) Ltd.
Unit 1, Ground floor
Siu Wai Industrial Centre
29-33 Wing Hong Street &
68 King Lam Street, Cheung Sha Wan
Kowloon
Phone: +852-27861706 / 27861741
Telefax: +852-27858664

Hungary

GRUNDFOS Hungária Kft.
Tópark u. 8
H-2045 Törökbálint,
Phone: +36-23 511 110
Telefax: +36-23 511 111

India

GRUNDFOS Pumps India Private
Limited
118 Old Mahabalipuram Road
Thoraiakkam
Chennai 600 097
Phone: +91-44 4596 6800

Indonesia

PT. GRUNDFOS POMPA
Graha Intirub Lt. 2 & 3
Jln. Cillilitan Besar No.454. Makasar,
Jakarta Timur
ID-Jakarta 13650
Phone: +62 21-469-51900
Telefax: +62 21-460 6910 / 460 6901

Ireland

GRUNDFOS (Ireland) Ltd.
Unit A, Merrywell Business Park
Ballymount Road Lower
Dublin 12
Phone: +353-1-4089 800
Telefax: +353-1-4089 830

Italy

GRUNDFOS Pompe Italia S.r.l.
Via Gran Sasso 4
I-20060 Truccazzano (Milano)
Tel.: +39-02-95838112
Telefax: +39-02-95309290 / 95838461

Japan

GRUNDFOS Pumps K.K.
1-2-3. Shin-Miyakoda, Kita-ku
Hamamatsu
431-2103 Japan
Phone: +81 53 428 4760
Telefax: +81 53 428 5005

Korea

GRUNDFOS Pumps Korea Ltd.
6th Floor, Aju Building 679-5
Yeoksam-dong, Kangnam-ku, 135-916
Seoul, Korea
Phone: +82-2-5317 600
Telefax: +82-2-5633 725

Latvia

SIA GRUNDFOS Pumps Latvia
Deglava biznesa centrs
Augusta Deglava ielā 60, LV-1035, Rīga,
Tālr.: + 371 714 9640, 7 149 641
Fakss: + 371 914 9646

Lithuania

GRUNDFOS Pumps UAB
Smolensko g. 6
LT-03201 Vilnius
Tel: + 370 52 395 430
Fax: + 370 52 395 431

Malaysia

GRUNDFOS Pumps Sdn. Bhd.
7 Jalan Peguam U1/25
Glenmarie Industrial Park
40150 Shah Alam
Selangor
Phone: +60-3-5569 2922
Telefax: +60-3-5569 2866

Mexico

Bombas GRUNDFOS de México S.A. de
C.V.
Boulevard TLC No. 15
Parque Industrial Stiva Aeropuerto
Apodaca, N.L. 66600
Phone: +52-81-8144 4000
Telefax: +52-81-8144 4010

Netherlands

GRUNDFOS Netherlands
Veluwezoom 35
1326 AE Almere
Postbus 22015
1302 CA ALMERE
Tel.: +31-88-478 6336
Telefax: +31-88-478 6332
E-mail: info_gnl@grundfos.com

New Zealand

GRUNDFOS Pumps NZ Ltd.
17 Beatrice Tinsley Crescent
North Harbour Industrial Estate
Albany, Auckland
Phone: +64-9-415 3240
Telefax: +64-9-415 3250

Norway

GRUNDFOS Pumper A/S
Strømsveien 344
Postboks 235, Leirdal
N-1011 Oslo
Tlf.: +47-22 90 47 00
Telefax: +47-22 32 21 50

Poland

GRUNDFOS Pompy Sp. z o.o.
ul. Klonowa 23
Baranowo k. Poznania
PL-62-081 Przechmirowo
Tel: (+48-61) 650 13 00
Fax: (+48-61) 650 13 50

Portugal

Bombas GRUNDFOS Portugal, S.A.
Rua Calvet de Magalhães, 241
Apartado 1079
P-2770-153 Paço de Arcos
Tel.: +351-21-440 76 00
Telefax: +351-21-440 76 90

Romania

GRUNDFOS Pompe România SRL
Bd. Biruintei, nr 103
Pantelimon county Ilfov
Phone: +40 21 200 4100
Telefax: +40 21 200 4101
E-mail: romania@grundfos.ro

Russia

ООО Грундфос Россия
ул. Школьная, 39-41
Москва, RU-109544, Russia
Тел. (+7) 495 564-88-00 (495) 737-30-00
Факс (+7) 495 564 8811
E-mail grundfos.moscow@grundfos.com

Serbia

Grundfos Srbija d.o.o.
Omladinskih brigada 90b
11070 Novi Beograd
Phone: +381 11 2258 740
Telefax: +381 11 2281 769
www.rs.grundfos.com

Singapore

GRUNDFOS (Singapore) Pte. Ltd.
25 Jalan Tukang
Singapore 619264
Phone: +65-6681 9688
Telefax: +65-6681 9689

Slovakia

GRUNDFOS s.r.o.
Prievozská 4D
821 09 BRATISLAVA
Phona: +421 2 5020 1426
sk.grundfos.com

Slovenia

GRUNDFOS LJUBLJANA, d.o.o.
Leskoškova 9e, 1122 Ljubljana
Phone: +386 (0) 1 568 06 10
Telefax: +386 (0)1 568 0619
E-mail: tehnika-si@grundfos.com

South Africa

Grundfos (PTY) Ltd.
16 Lascelles Drive, Meadowbrook Estate
1609 Germiston, Johannesburg
Tel.: (+27) 10 248 6000
Fax: (+27) 10 248 6002
E-mail: Igradidge@grundfos.com

Spain

Bombas GRUNDFOS España S.A.
Camino de la Fuentequilla, s/n
E-28110 Algete (Madrid)
Tel.: +34-91-848 8800
Telefax: +34-91-628 0465

Sweden

GRUNDFOS AB
Box 333 (Lunnagårdsgatan 6)
431 24 Mölndal
Tel.: +46 31 332 23 000
Telefax: +46 31 331 94 60

Switzerland

GRUNDFOS Pumpen AG
Bruggacherstrasse 10
CH-8117 Fällanden/ZH
Tel.: +41-44-806 8111
Telefax: +41-44-806 8115

Taiwan

GRUNDFOS Pumps (Taiwan) Ltd.
7 Floor, 219 Min-Chuan Road
Taichung, Taiwan, R.O.C.
Phone: +886-4-2305 0868
Telefax: +886-4-2305 0878

Thailand

GRUNDFOS (Thailand) Ltd.
92 Chaloein Phrakiat Rama 9 Road,
Dokmai, Pravej, Bangkok 10250
Phone: +66-2-725 8999
Telefax: +66-2-725 8998

Turkey

GRUNDFOS POMPA San. ve Tic. Ltd.
Sti.
Gebze Organize Sanayi Bölgesi
İhsan dede Caddesi,
2. yol 200. Sokak No. 204
41490 Gebze/Kocaeli
Phone: +90 - 262-679 7979
Telefax: +90 - 262-679 7905
E-mail: satis@grundfos.com

Ukraine

Бізнес Центр Європа
Столичне шосе, 103
м. Київ, 03131, Україна
Телефон: (+38 044) 237 04 00
Факс.: (+38 044) 237 04 01
E-mail: ukraine@grundfos.com

United Arab Emirates

GRUNDFOS Gulf Distribution
P.O. Box 16768
Jebel Ali Free Zone
Dubai
Phone: +971-4- 8815 166
Telefax: +971-4-8815 136

United Kingdom

GRUNDFOS Pumps Ltd.
Grovebury Road
Leighton Buzzard/Beds. LU7 4TL
Phone: +44-1525-850000
Telefax: +44-1525-850011

U.S.A.

GRUNDFOS Pumps Corporation
9300 Loiret Blvd.
Lenexa, Kansas 66219
Phone: +1-913-227-3400
Telefax: +1-913-227-3500

Uzbekistan

Grundfos Tashkent, Uzbekistan The
Representative Office of Grundfos
Kazakhstan in Uzbekistan
38a, Oybek street, Tashkent
Телефон: (+998) 71 150 3290 / 71 150
3291
Факс: (+998) 71 150 3292

Addresses revised 15.01.2019

98767824 0219

ECM: 1246835

Trademarks displayed in this material, including but not limited to Grundfos, the Grundfos logo and "be think innovate" are registered trademarks owned by The Grundfos Group. All rights reserved. © 2019 Grundfos Holding A/S, all rights reserved.