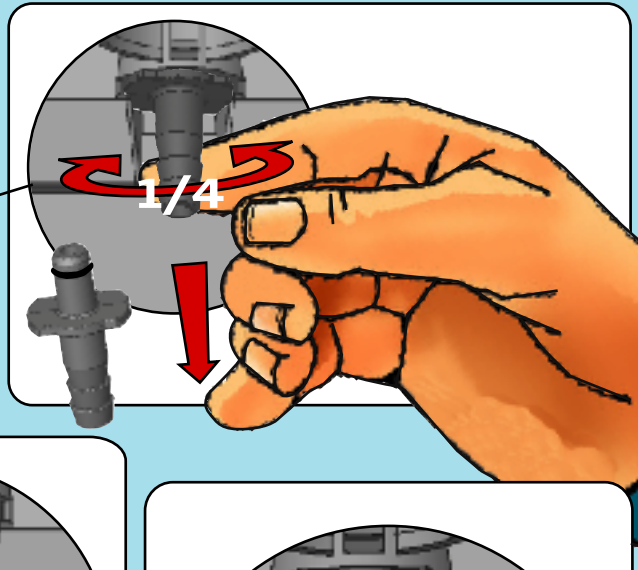
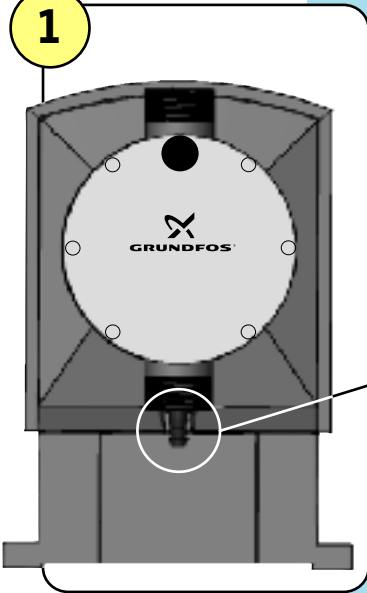
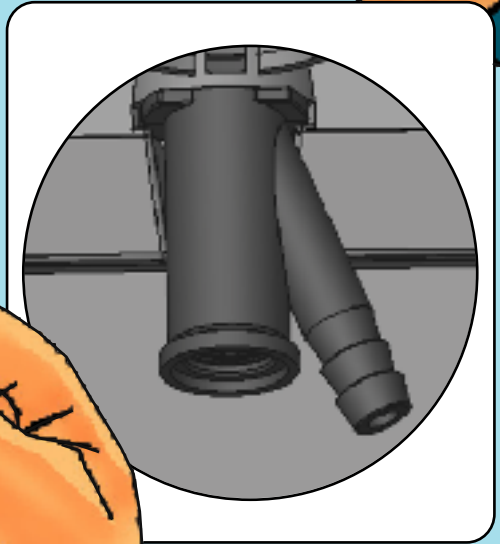
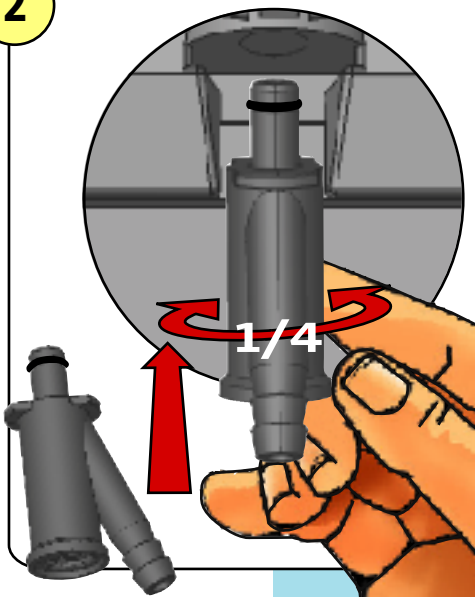


Diaphragm leakage detector (60-940 l/h)

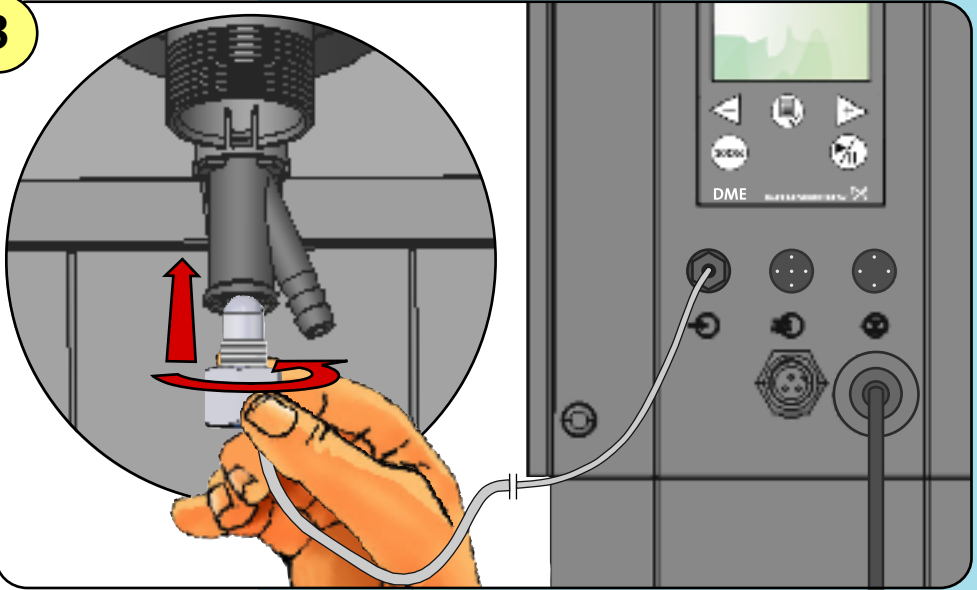
1



2



3



4

