

Rigid suction lances RSL Foot valves FV

Installation and operating instructions



Other languages

<http://net.grundfos.com/qr/i/98131771>

English (GB) Installation and operating instructions

Original installation and operating instructions

These installation and operating instructions describe the Grundfos rigid suction lance RSL and the Grundfos foot valve FV. Sections 1-3 give the information necessary to be able to install the product in a safe way.

Sections 4-9 give important information about the product as well as information on service and disposal of the product.

CONTENTS

	Page
1. General information	2
1.1 Target group	2
1.2 Symbols used in this document	2
1.3 Safe operation	3
2. Installing the product	3
2.1 Safety instructions	3
2.2 Location	3
2.3 Hydraulic connection	3
2.4 Electrical connection of level indication	4
2.5 Container connection for RSL and FV up to 460 l/h	6
2.6 Container connection for RSL up to 1150 l/h	7
3. Handling and storing the product	8
3.1 Handling the product	8
3.2 Storing the product	8
4. Product introduction	8
4.1 Intended use	8
4.2 Function	8
4.3 Product description	9
4.4 Identification	11
5. Maintaining the product	13
5.1 Safety instructions	13
5.2 Maintenance	13
5.3 Repair	15
6. Fault finding	16
7. Technical data	16
7.1 Mechanical data	16
7.2 Electrical data (for products with two-step level indication)	16
7.3 Dimensions	17
7.4 Required immersion depth for Grundfos tanks without threaded connection	19
7.5 Required immersion depth for exchangeable containers	19
8. Accessories	20
8.1 Adapters for exchangeable containers	20
8.2 Counter nut for container connection diameter 60 mm	20
8.3 Emission protection kits	21
9. Disposing of the product	21



Read this document before installing the product. Installation and operation must comply with local regulations and accepted codes of good practice.

1. General information

1.1 Target group

This document is intended for the operating company and the users. It contains general instructions that must be observed before installation and during operation and maintenance of the product. The responsible staff must read these instructions prior to any work on the product.

1.1.1 Qualification and training

The persons responsible for the tasks described in this document must be appropriately qualified.

1.1.2 Obligations of the operating company

- Observe the local safety regulations.
- Keep the installation and operating instructions available at the installation location at all times.
- Coordinate the preparation of the installation location observing section 7. *Technical data*.
- Ensure that the users are trained for their tasks.
- Provide the stipulated safety equipment and personal protective equipment.
- Arrange regular maintenance.

1.1.3 Obligations of the user

- Observe the recognised health and safety regulations as well as the local accident prevention regulations.
- Wear protective equipment in accordance with local health and safety regulations when working on the product and handling chemicals.
- Read and understand this document.

1.2 Symbols used in this document



A blue or grey circle with a white graphical symbol indicates that an action must be taken.



A red or grey circle with a diagonal bar, possibly with a black graphical symbol, indicates that an action must not be taken or must be stopped.



If these instructions are not observed, it may result in malfunction or damage to the equipment.



Tips and advice that make the work easier.

1.3 Safe operation

When working with chemicals, the accident prevention regulations applicable at the installation site must be applied.



Observe the chemical manufacturer's safety data sheets when handling chemicals.

When working on the product or connections and lines, always wear protective clothing (e.g. safety goggles and gloves). The system must be pressureless.

Only operate the system if all lines are connected correctly.

If safe operation is no longer possible, the product must be taken out of operation and secured against unintentional operation.

This is the case in the following situations:

- If the product is visibly damaged.
- If the product does not seem operational.
- After long periods of storage under unfavourable conditions.

2. Installing the product

2.1 Safety instructions

The product must only be installed by authorised and qualified persons.

When working with chemicals, the accident prevention regulations applicable at the installation site must be applied.



Observe the chemical manufacturer's safety data sheets when handling chemicals.

When working on the product or connections and lines, always wear protective clothing (e.g. safety goggles and gloves). The system must be pressureless.

Observe section [3.1 Handling the product](#).

Wipe up spilled liquid immediately to avoid slipping hazard.

2.2 Location

- The installation location must be protected from rain, humidity, condensation, direct sunlight and dust.
- The installation location must have sufficient lighting to ensure safe operation.
- Observe the permissible ambient conditions. See section [7.1 Mechanical data](#).

2.3 Hydraulic connection

Read section [2.1 Safety instructions](#).

2.3.1 Conditions for installation

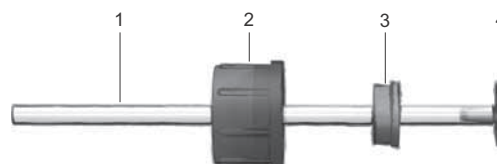
- Proper functioning can only be guaranteed when using Grundfos accessories.
- For suction height and line diameter, see the technical data of the dosing pump.

2.3.2 Notes for installation

- Shorten hoses and pipes at right angles.
- Make sure that there are no loops or kinks in the hoses.
- Keep the inlet line of the dosing pump as short as possible.
- Route the inlet line up towards the inlet valve of the dosing pump.
- Observe the installation instructions in the manual of the dosing pump.

2.3.3 Connecting the hose (RSL and FV up to 60 l/h)

1. Push union nut (2) and tensioning ring (3) onto hose (1).
2. Insert cone part (4) fully into the hose.
3. Put the cone part with hose onto the threaded connection of the RSL / FV.
4. Tighten the union nut manually. Do not use tools.
 - If using a PTFE gasket, retighten the union nut after 2-5 operating hours.



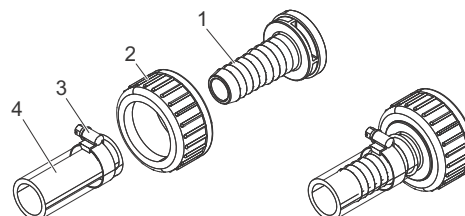
TM04 8559 2212

Fig. 1 Hydraulic connection

2.3.4 Connecting a hose (RSL and FV up to 460 l/h)

For details on connection types, see section [4.4 Identification](#).

1. Make sure that the system is pressureless.
2. Install hose connector (1) with union nut (2) at the threaded connection of the RSL / FV.
 - Make sure that the gasket is placed correctly.
 - Tighten the union nut manually. Do not use tools.
3. If using a PTFE gasket, retighten the union nut after 2-5 operating hours.
4. For RSL:
 - Push hose clamp (3) over hose (4).
 - Push hose (4) completely onto hose connector (1) and tighten hose clamp (3).
5. For FV:
 - Push hose (4) completely onto hose connector (1).
 - Do not use the hose clamp (3). The hose clamp material can react chemically with the dosing medium.



TM06 7052 2916

Fig. 2 Hydraulic connection

2.3.5 Establishing a glued or welded pipe connection (RSL and FV up to 1150 l/h)

For details on connection types, see section 4.4 Identification.

1. Make sure that the system is pressureless.
2. Push union nut (2) over pipe (3).
3. For PVC pipe:
Glue inlay (1) to end of pipe (3) according to the pipe manufacturer's specification.
4. For PVDF pipe:
Weld inlay (1) to end of pipe (3) according to the pipe manufacturer's specification.
5. Install the pipe with union nut (2) at the threaded connection of the RSL / FV.
– Make sure that the gasket is placed correctly.
– Tighten the union nut manually. Do not use tools.
6. If using a PTFE gasket, retighten the union nut after 2-5 operating hours.

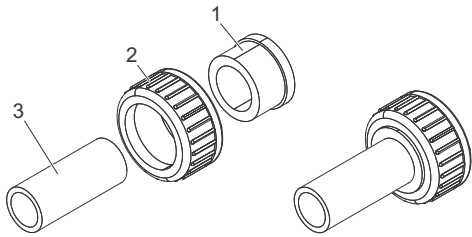


Fig. 3 Hydraulic connection

TM06 7299 3216

2.3.6 Connecting a threaded pipe (RSL and FV up to 1150 l/h)

For details on connection types, see section 4.4 Identification.

1. Make sure that the system is pressureless.
2. Push union nut (2) over pipe (3).
3. Apply appropriate sealing material to thread of inlay (1).
4. Screw inlay (1) on end of pipe (3).
5. Install the pipe with union nut (2) at the threaded connection of the RSL / FV.
– Make sure that the gasket is placed correctly.
– Tighten the union nut manually. Do not use tools.
6. If using a PTFE gasket, retighten the union nut after 2-5 operating hours.

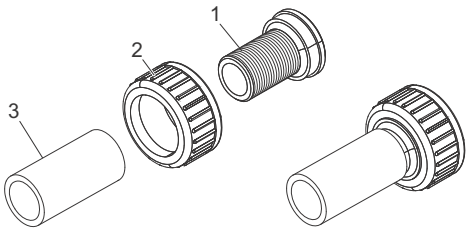


Fig. 4 Hydraulic connection, type A7, A8

TM06 7300 3216

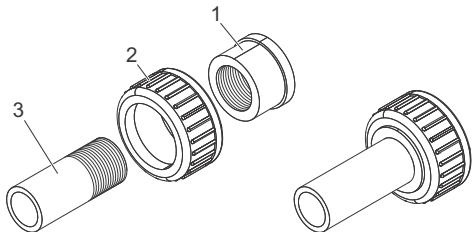


Fig. 5 Hydraulic connection, type A1, A2, A3, A4

TM06 7376 3216

2.4 Electrical connection of level indication

In order to monitor the filling level of the container, a two-step level indication (low-level signal, tank-empty signal) can be connected to the pump or other downstream devices.



Observe the manuals of the downstream devices.

2.4.1 Signal connection with round plug

All SMART Digital pumps and the DDI 222 digital dosing pump are connected with round plugs.

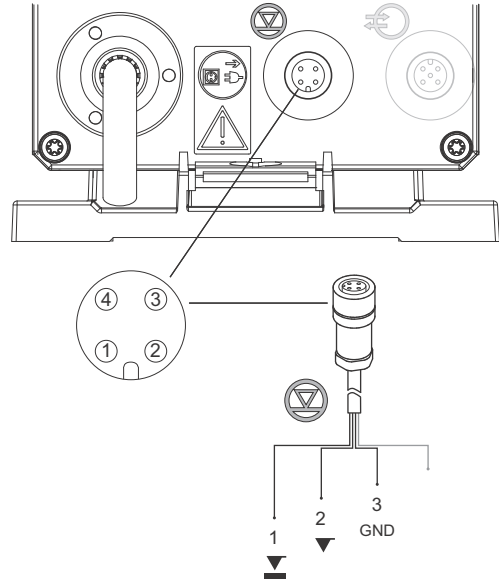


Fig. 6 Signal connection with round plug

TM04 8448 4511

Level signals: low level and tank empty

Function	Pins		
	1/white	2/green	3/brown
Low level	X		GND
Tank empty		X	GND

2.4.2 Signal connection with flat plug

RSL and FV are supplied with round plugs. An adapter is required for connection to the dosing pumps DMX 221 and DMH with AR control.

Product number of the adapter: 96635010

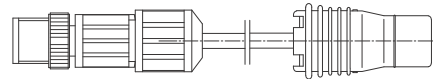




Fig. 7 Flat plug

TM04 8449 4511

2.4.3 Changing the contact type

Rigid suction lances and foot valves with two-step level indication have two signal outputs. Both are factory-set to contact type NO. A symbol on the floater indicates the contact type. The active contact type setting is indicated by the symbol on the current top side of the floater.

Symbol	Description
	Contact type NO (normally open) Closing with falling liquid level
	Contact type NC (normally closed) Opening with falling liquid level

The contact type can be changed by turning the floater upside down (180 °). If the contact type is set to NC, a cable break provokes a tank-empty signal.

Changing the contact type (RSL and FV up to 60 l/h)

1. Remove the floater sideways.
2. Turn the floater upside down (180 °) and attach it again.
 - The active contact type setting is indicated by the symbol on the current top side of the floater.
3. Adjust the signal inputs of the downstream devices (pump) accordingly. Observe the manuals of the downstream devices.

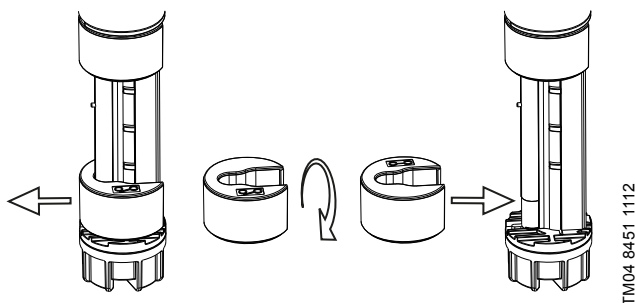


Fig. 8 Changing the contact type (RSL and FV up to 60 l/h)

Changing the contact type (RSL up to 460 l/h)

1. Remove locking ring (1).
2. To remove inlet (2), use a small slotted-screw driver and carefully perform steps (A) to (C).
3. Remove locking rings (4).
4. Remove floaters (3).
5. Turn the floaters upside down (180 °) and insert them again.
 - The active contact type setting is indicated by the symbol on the current top side of the floater.
6. Install locking rings (4) with nipples (5) pointing towards floaters (3).
7. To install inlet (2) again, carefully perform steps (D) and (E).
8. Install locking ring (1) again with nipples (5) pointing down.
9. Adjust the signal inputs of the downstream devices (pump) accordingly. Observe the manuals of the downstream devices.

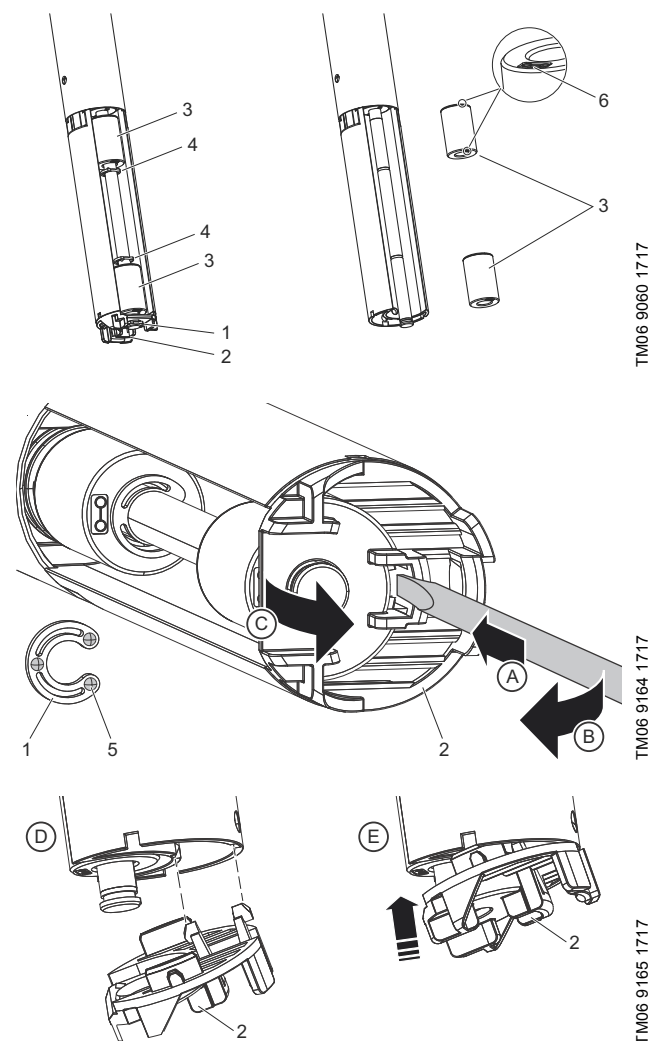


Fig. 9 Changing the contact type (RSL up to 460 l/h)

Pos.	Description
1	Locking ring
2	Inlet with strainer
3	Floater
4	Locking ring
5	Nipple
6	Contact type symbol
A-E	Steps to remove and install the inlet

2.5 Container connection for RSL and FV up to 460 l/h

The following container connection is only possible for RSL and for FV with level indication.

2.5.1 Connecting the suction lance

If not connecting to a Grundfos tank with threaded hole, perform the steps in the respective section:

- [2.5.3 Connecting to an exchangeable container](#)
 - [2.5.4 Connecting the suction lance to a container without opening](#)
1. If present, remove the screw cap from threaded hole (3).
 2. Insert the suction lance into threaded hole (3).
 3. Loosen clamping ring connection (1).
 4. Screw adapter screw (2) into threaded hole (3) and tighten it manually.
 5. Adapt the immersion depth of the suction lance to the container height.
 - Make sure that the suction lance inlet has enough distance to the bottom of the container to avoid suction of sediments.
 6. Tighten clamping ring connection (1) manually.
 7. For dosing pumps up to 60 l/h:
 - If required, remove the blind plugs and use connections (4) and (5) to insert the deaeration line (5) of the pump and the overflow line (4) of the multi-function valve or pressure relief valve into the container.
 8. If required, install an emission protection kit to avoid gas emission. Observe the separate installation instruction delivered with the emission protection kit. See section [8.3 Emission protection kits](#).



Do not immerse the return flow lines into the dosing medium.

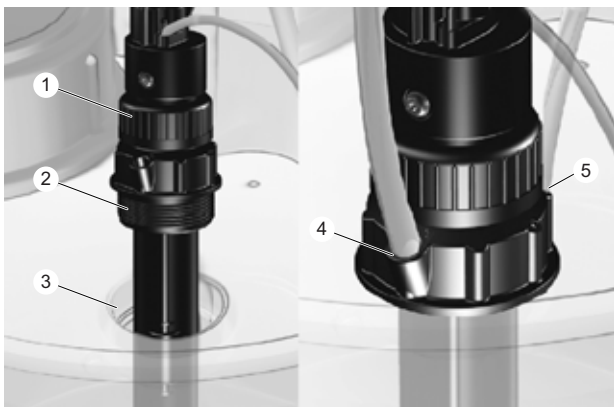


Fig. 10 Inserting the suction lance

Pos.	Description
1	Clamping ring connection
2	Adapter screw
3	Threaded hole
4	Overflow line connection
5	Deaeration line connection

2.5.2 Connecting the foot valve with level indication

If not connecting to a Grundfos tank with threaded hole, perform the steps in the following section:

- [2.5.3 Connecting to an exchangeable container](#)

1. If present, remove the screw cap from threaded hole (3).
2. Insert the dosing line into the appropriate hole in container cap (2).
3. Insert the foot valve into threaded hole (3).
 - Make sure that the weight at the bottom of the foot valve is placed at the bottom of the container.
 - Make sure that the foot valve is in an upright position.
4. If required, use connections (4) and (5) to insert deaeration line (5) of the pump and overflow line (4) of the multi-function valve or pressure relief valve into the container.



Do not immerse the return flow lines into the dosing medium.

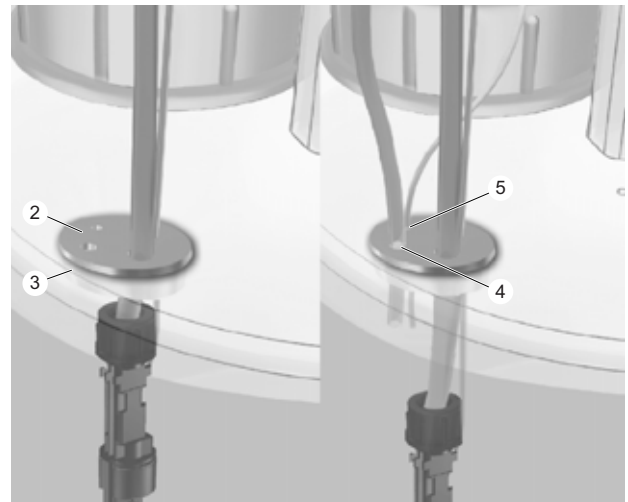


Fig. 11 Inserting the foot valve

Pos.	Description
2	Container cap
3	Threaded hole
4	Overflow line connection
5	Deaeration line connection

2.5.3 Connecting to an exchangeable container

For this kind of installation an adapter is required. See section [8.1 Adapters for exchangeable containers](#).

1. Install the adapter at the container.
2. For suction lance connection, proceed according to section [2.5.1 Connecting the suction lance](#).
3. For foot valve connection, proceed according to section [2.5.2 Connecting the foot valve with level indication](#).

2.5.4 Connecting the suction lance to a container without opening

1. Cut a hole with a diameter of 60 mm into the container top surface and insert the suction lance.
2. Use the counter nut to fix the suction lance in the hole. See section [8.2 Counter nut for container connection diameter 60 mm](#).
3. For suction lance connection, proceed according to section: [2.5.1 Connecting the suction lance](#).

2.6 Container connection for RSL up to 1150 l/h

2.6.1 Connecting to a Grundfos tank with threaded hole

1. If present, remove the screw cap from threaded hole (3).
2. Loosen the clamping ring connection of the foot valve and remove the foot valve from the suction lance.
3. Shorten the suction lance at the lower end to the appropriate length, if necessary.
 - Deburr the shortened pipe end.
4. Insert the suction lance into threaded hole (3).
5. Install the foot valve again.
6. Loosen clamping ring connection (1).
7. Screw adapter screw (2) into threaded hole (3) and tighten it manually.
8. Adapt the immersion depth of the suction lance to the container height.
 - Make sure that the suction lance inlet has enough distance to the bottom of the container to avoid suction of sediments.
9. Tighten clamping ring connection (1) manually.



Do not immerse the return flow lines into the dosing medium.

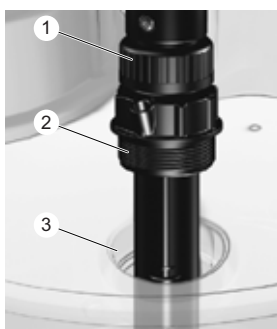


Fig. 12 Inserting the suction lance

Pos.	Description
1	Clamping ring connection
2	Adapter screw
3	Threaded hole

TM07 0606 0418

2.6.2 Connecting to an IBC container

1. Remove the screw cap from the container.
 2. Loosen the clamping ring connection of the foot valve and remove the foot valve from the suction lance.
 3. Insert the suction lance into the hole of the adapter for IBC containers. See section [8.1 Adapters for exchangeable containers](#).
 4. Install the foot valve again.
- For the following steps see fig. 12.
5. Loosen clamping ring connection (1).
 6. Screw adapter screw (2) into the threaded hole of the adapter for IBC containers.
 7. Install the adapter together with the suction lance in the container thread.
 8. Adapt the immersion depth of the suction lance to the container height.
 - Make sure that the suction lance inlet has enough distance to the bottom of the container to avoid suction of sediments.
 9. Tighten clamping ring connection (1) manually.



Do not immerse the return flow lines into the dosing medium.

2.6.3 Connecting to a container without opening

1. Loosen the clamping ring connection of the foot valve and remove the foot valve from the suction lance.
 2. Cut a hole with a diameter of 60 mm into the container top surface.
 3. Shorten the suction lance at the lower end to the appropriate length, if necessary.
 - Deburr the shortened pipe end.
 4. Insert the suction lance into the hole of the container.
 5. Slide the counter nut over the suction lance inlet. See section [8.2 Counter nut for container connection diameter 60 mm](#).
 6. Install the foot valve again.
- For the following steps see fig. 12.
7. Loosen clamping ring connection (1).
 8. Install the suction lance in the container by screwing the counter nut onto adapter screw (2) from the inside of the container.
 - Tighten the counter nut manually.
 9. Adapt the immersion depth of the suction lance to the container height.
 - Make sure that the suction lance inlet has enough distance to the bottom of the container to avoid suction of sediments.
 10. Tighten clamping ring connection (1) manually.



Do not immerse the return flow lines into the dosing medium.

3. Handling and storing the product

3.1 Handling the product

- Make sure that the product is not exposed to any point load during the transport.
- Avoid strong impacts.
- Observe the permissible ambient conditions. See section [7.1 Mechanical data](#).

3.2 Storing the product

- Observe the permissible ambient conditions. See section [7.1 Mechanical data](#).
- The storage location must be protected from rain, humidity, condensation, direct sunlight and dust.

4. Product introduction

4.1 Intended use

The rigid suction lance RSL and the foot valve FV are suitable for the following applications:

- Extraction of chemicals from unpressurised containers.
- Monitoring of liquid level in the chemical container (versions with two-step level indication).

The rigid suction lance RSL and the foot valve FV are suitable for liquid, non-abrasive, non-flammable and non-combustible media.

Observe the freezing point and boiling point of the medium.

Make sure that parts in contact with the medium are resistant to the medium under operating conditions.



The product must not be used for any other purpose than the one mentioned above.

4.1.1 Improper operating methods

The operational safety of the product is only guaranteed, if it is used in accordance with section [4.1 Intended use](#).

The product must not be used for:

- operation in potentially explosive areas
- frozen media or gases
- crystallising media

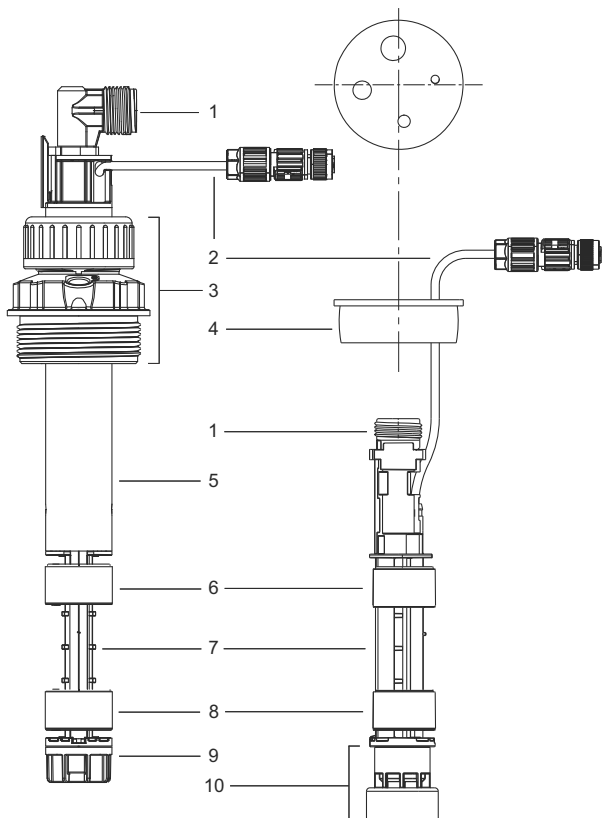
4.2 Function

Rigid suction lances RSL and foot valves FV can have the following functions:

- extracting the dosing medium from a container
- filtering the dosing medium to protect the pump from soiling
- preventing backflow of the dosing medium by means of a non-return valve
- indicating a low level of dosing medium or an empty tank by means of two float switches
- connecting an exchangeable container.

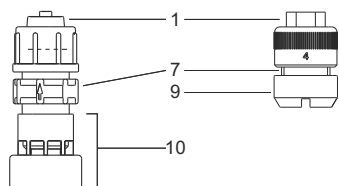
4.3 Product description

4.3.1 RSL and FV up to 60 l/h



TM04 8524 1417

Fig. 13 Left: RSL. Right: FV with level indication

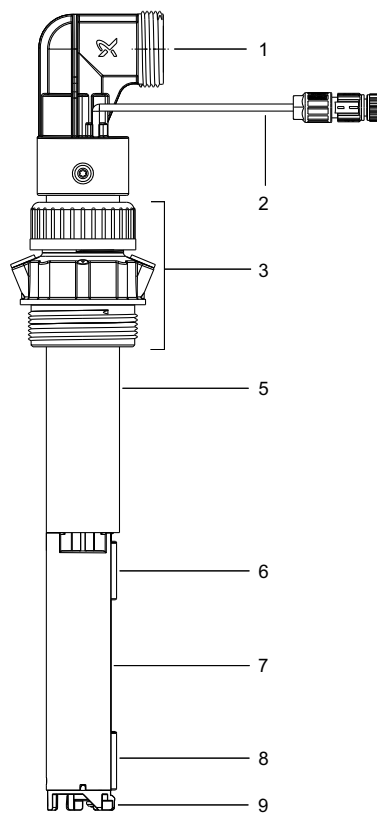


TM04 8513 1417

Fig. 14 FV without level indication, Left: plastic version, Right: stainless steel version

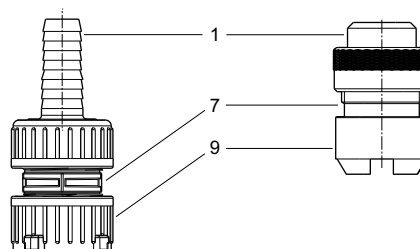
Pos.	Description
1	Dosing line connection
2	Signal cable with plug
3	Tank connection, slidable
4	Tank cap, slidable
5	Protective tube with hose
6	Float switch, low-level
7	Valve body
8	Float switch, empty tank
9	Inlet with strainer
10	Inlet with strainer and weight

4.3.2 RSL and FV up to 460 l/h



TM04 8514 1417

Fig. 15 RSL with level indication



TM06 8911 1717

Fig. 16 FV without level indication, Left: plastic version, Right: stainless steel version

Pos.	Description
1	Dosing line connection
2	Signal cable with plug
3	Tank connection, slidable
5	Protective tube with hose
6	Float switch, low-level
7	Valve body
8	Float switch, empty tank
9	Inlet with strainer

4.3.3 RSL and FV up to 1150 l/h

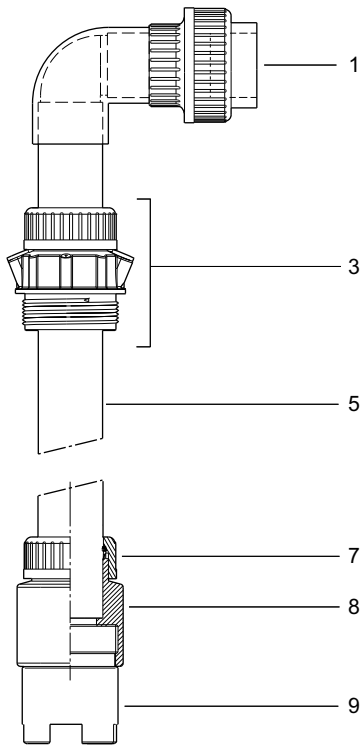


Fig. 17 RSL up to 1150 l/h

TM07 0611 0418

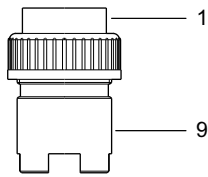


Fig. 18 FV up to 1150 l/h

TM07 0610 0418

Pos.	Description
1	Dosing line connection
3	Tank connection, slidable
5	Suction pipe
7	Clamping ring connection
8	Valve connection
9	Inlet with strainer and valve insert

4.4 Identification

4.4.1 Type key of rigid suction lances RSL

The type key is designed for the precise identification of the product and not for configuration purposes. It can be found on the product packaging.

Example: **RSL-0500-2L-G5/8 PE/V,E/C U2**

Product type	
RSL-0500-2L-G5/8 PE/V,E/C U2	
RSL	Rigid suction lance
Maximum immersion depth [mm]	
RSL-0500-2L-G5/8 PE/V,E/C U2	
Level indication	
RSL-0500-2L-G5/8 PE/V,E/C U2	
NL	Without level indication
2L	Two-step level indication (low-level signal, tank-empty signal)
Connection size	
RSL-0500-2L-G5/8 PE/V,E/C U2	
G5/8	Up to 60 l/h: External thread G 5/8 with groove for O-ring
G5/4	Up to 460 l/h: External thread G 5/4 with groove for O-ring
G2	Up to 1150 l/h: External thread G 2 with groove for O-ring
Material of enclosure, connection, float switch	
RSL-0500-2L-G5/8 PE/V,E/C U2	
PE	High-density polyethylene (HDPE)
PV	Polyvinylidene fluoride (PVDF)
PVC	Polyvinyl chloride (PVC)
Gasket material	
RSL-0500-2L-G5/8 PE/V,E/C U2	
V,E	FKM and EPDM gaskets are enclosed
T	Gasket material PTFE
Valve ball material	
RSL-0500-2L-G5/8 PE/V,E/C U2	
C	Ceramics
G	Glass
T	PTFE
Dosing line connection	
RSL-0500-2L-G5/8 PE/V,E/C U2	
U2	Union nut G 5/8 with parts for hose connection 4/6 mm, 6/9 mm, 6/12 mm, 9/12 mm
U7	Union nut G 5/8 with parts for hose connection 0.17" x 1/4"; 1/4" x 3/8"; 3/8" x 1/2"
U3	Union nut G 5/4 with parts for hose connection 19 mm or 20 mm or glued pipe connection 25 mm
A7	Union nut G 5/4 with threaded connection 3/4 NPT external thread
K	Union nut G 2 with parts for glued pipe connection 40 mm
A8	Union nut G 2 with threaded connection 1 1/4 NPT external thread
X	No connections included

4.4.2 Type key of foot valves FV

The type key is designed for the precise identification of the product and not for configuration purposes. It can be found on the product packaging.

Example: **FV-2L-G5/8 PE/V,E/C U2**

Product type	
FV-2L-G5/8 PE/V,E/C U2	
FV	Foot valve
Level indication	
FV-2L-G5/8 PE/V,E/C U2	
NL	Without level indication
2L	Two-step level indication (low-level signal, tank-empty signal)
Connection size	
FV-2L-G5/8 PE/V,E/C U2	
G5/8	Up to 60 l/h: External thread G 5/8 with groove for O-ring
G5/4	Up to 460 l/h: External thread G 5/4 with groove for O-ring
G2	Up to 1150 l/h: External thread G 2 with groove for O-ring
Material of enclosure, connection, float switch	
FV-2L-G5/8 PE/V,E/C U2	
PE	High-density polyethylene (HDPE)
PV	Polyvinylidene fluoride (PVDF)
PVC	Polyvinyl chloride (PVC)
PP	Polypropylene (PP)
SS	Stainless steel 1.4571, 1.4435, 1.4305
Gasket material	
FV-2L-G5/8 PE/V,E/C U2	
V,E	FKM and EPDM gaskets are enclosed
T	Gasket material PTFE
Valve ball material	
FV-2L-G5/8 PE/V,E/C U2	
C	Ceramics
SS	Stainless steel 1.4401
G	Glass
T	PTFE

Dosing line connection	
FV-2L-G5/8 PE/V,E/C U2	
U2	Union nut G 5/8 with parts for hose connection 4/6 mm, 6/9 mm, 6/12 mm, 9/12 mm
U7	Union nut G 5/8 with parts for hose connection 0.17" x 1/4"; 1/4" x 3/8"; 3/8" x 1/2"
A	Union nut G 5/8 with threaded connection Rp 1/4 internal thread
V	Union nut G 5/8 with threaded connection 1/4 NPT internal thread
U3	Union nut G 5/4 with parts for hose connection 19 mm or 20 mm or glued pipe connection 25 mm
A7	Union nut G 5/4 with threaded connection 3/4 NPT external thread
A1	Union nut G 5/4 with threaded connection Rp 3/4 internal thread
A3	Union nut G 5/4 with threaded connection 3/4 NPT internal thread
K	Union nut G 2 with parts for glued pipe connection 40 mm
B5	Union nut G 2 with parts for welded pipe connection 40 mm
A2	Union nut G 2 with threaded connection Rp 1 1/4 internal thread
A4	Union nut G 2 with threaded connection 1 1/4 NPT internal thread
A8	Union nut G 2 with threaded connection 1 1/4 NPT external thread
X	No connections included

5. Maintaining the product

5.1 Safety instructions

The product must only be serviced by authorised and qualified persons.

When working with chemicals, the accident prevention regulations applicable at the installation site must be applied.



Observe the chemical manufacturer's safety data sheets when handling chemicals.

When working on the product or connections and lines, always wear protective clothing (e.g. safety goggles and gloves). The system must be pressureless.

Observe section [3.1 Handling the product](#).

Wipe up spilled liquid immediately to avoid slipping hazard.



Clean the strainer of the foot valve or suction lance regularly, depending on the degree of pollution.

5.2 Maintenance

Clean the strainer,

- if it is soiled
- if the suction performance drops.

5.2.1 Cleaning the strainer (RSL up to 60 l/h and FV up to 460 l/h)

1. Read section [5.1 Safety instructions](#).
2. Empty the RSL or FV and the complete suction side of the dosing system and flush it with a suitable non-hazardous liquid.
3. Shut down the dosing system.
4. For RSL or FV with level indication:
 - Disconnect the signal line from the pump or downstream device.
5. Take the RSL or FV out of the container.
6. Empty the RSL or FV.
7. Unscrew the inlet (1) and clean it.
8. Flush the strainer from the inside to the outside.
 - Before reassembling make sure, that all parts are clean, dry and undamaged.

9. Reassemble and install the product in reverse order.

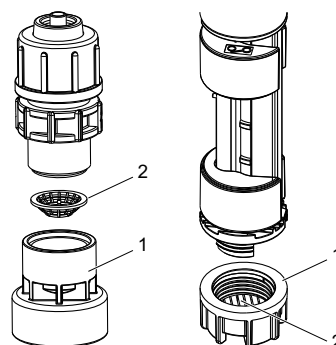


Fig. 19 Left: FV up to 60 l/h. Right: RSL up to 60 l/h

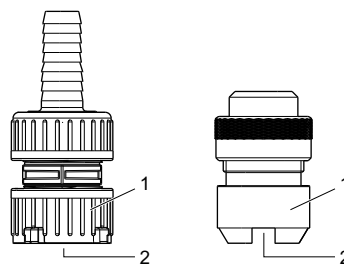


Fig. 20 Left: FV up to 460 l/h, plastic. Right: FV, stainless steel

Pos.	Description
1	Inlet
2	Strainer

TM04 8522 1617

TM06 9154 1617

5.2.2 Cleaning the strainer (RSL up to 460 l/h)

1. Read section [5.1 Safety instructions](#).
2. Empty the RSL and the complete suction side of the dosing system and flush it with a suitable non-hazardous liquid.
 - If a deaeration line is installed properly from the pump to the container, you can close the outlet of the pump and open the deaeration valve. Then you can take the inlet of the RSL out of the dosing medium and run the pump with full stroke frequency to remove most of the dosing medium from the RSL and the inlet line of the pump.
3. Shut down the dosing system.
4. Disconnect the signal line from the pump or downstream device.
5. Take the RSL out of the container.
6. Empty the RSL.
7. Remove locking ring (1).
8. To remove inlet (2), use a small slotted-screw driver and carefully perform steps (A) to (C).
9. Leave the floater in position.
 - Observe that the orientation of the floater determines the contact type. See section [2.4.3 Changing the contact type](#).
10. Clean the inlet and the included strainer.
 - Flush the strainer from the inside to the outside.
 - Before reassembling make sure, that all parts are clean, dry and undamaged.
11. To install inlet (2) again, carefully perform steps (D) and (E).

12. Install locking ring (1) again with nipples (5) pointing down.

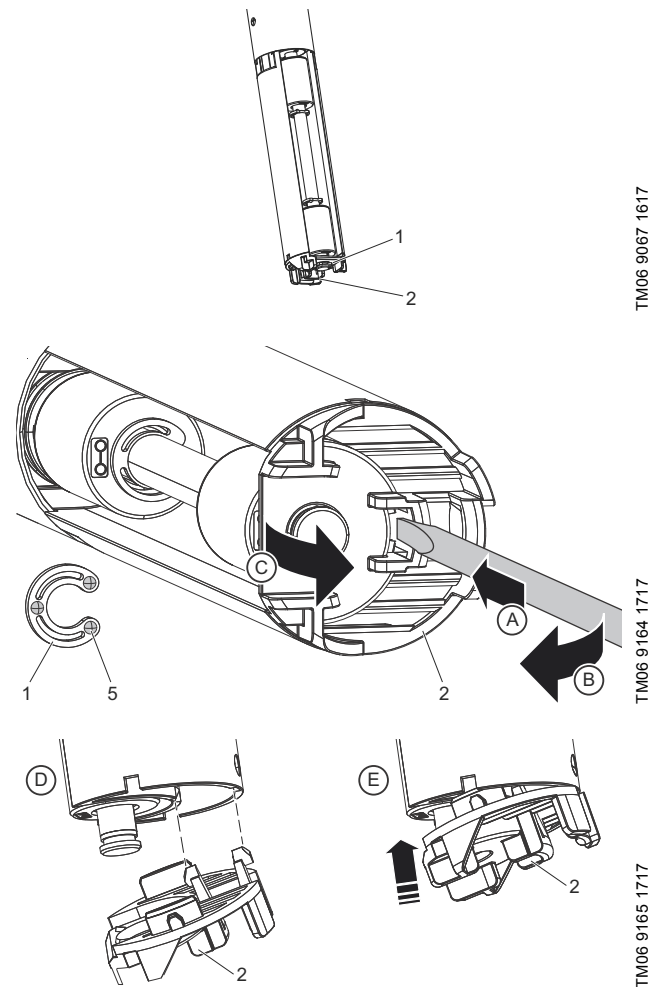


Fig. 21 Cleaning the strainer (RSL up to 460 l/h)

Pos.	Description
1	Locking ring
2	Inlet with strainer
5	Nipple
A-E	Steps to remove and install the inlet

5.2.3 Cleaning the strainer (RSL and FV up to 1150 l/h)

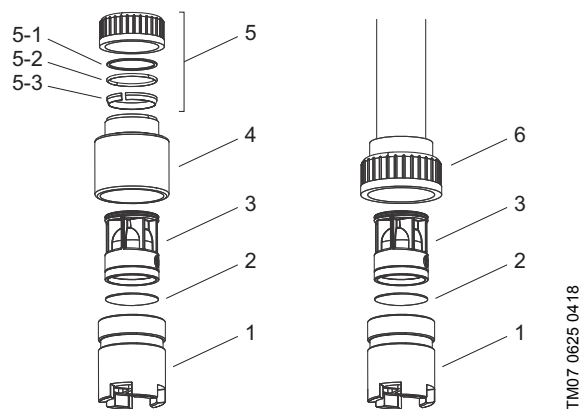


Fig. 22 Left: RSL, Right: FV

Pos.	Description
1	Inlet
2	Strainer
3	Valve insert
4	Valve connection
5	Clamping ring connection of foot valve
5-1	Support ring
5-2	O-ring
5-3	Clamping ring
6	Union nut

1. Read section [5.1 Safety instructions](#).
2. Empty the RSL or FV and the complete suction side of the dosing system and flush with a suitable non-hazardous liquid.
3. Shut down the dosing system.
4. Take the RSL or FV out of the container.
5. Empty the RSL or FV.
6. Unscrew the inlet (1) and clean it.
7. Flush the strainer from the inside to the outside.
 - Before reassembling, make sure that all parts are clean, dry and undamaged.

5.3 Repair

Rigid suction lances and foot valves cannot be repaired.

6. Fault finding

Fault	Possible cause	Possible remedy
Too low flow or no flow	Strainer is soiled.	Clean the strainer.
	Pump is switched off.	Switch on the pump.
	Suction line is installed incorrectly.	Check the suction line and connection. Install correctly.
	Internal diameter of suction line is too small.	Use a suction line with larger internal diameter.
	Suction line is not tight.	Check the suction line and connections. Eliminate any leaks.
Low-level or empty indication does not work	Signal line is not connected to the pump.	Connect the signal line to the pump.
	Contact type is set incorrectly.	Adapt setting of contact type (see section 2.4.3 Changing the contact type).
	Reed switch is defective.	Replace the foot valve or suction lance.

7. Technical data

7.1 Mechanical data

Data		RSL / FV	FV
		PE, PVC, PP, PVDF	SS
Material of enclosure:			
Max. flow rate (connection size G 5/8) ¹⁾	[l/h]	60	60
	[gph]	15.85	15.85
Max. flow rate (connection size G 3/4) ¹⁾	[l/h]	460	460
	[gph]	121.5	121.5
Max. flow rate (connection size G 2) ¹⁾	[l/h]	1150	1150
	[gph]	304	304
Max. pressure ²⁾	[bar]	2	2
	[psi]	29	29
Max. media temperature	[°C]	45	80
Min. media temperature	[°C]	0	-10
Max. ambient temperature	[°C]	45	45
Min. ambient temperature	[°C]	0	-10
Max. storage temperature	[°C]	45	45
Min. storage temperature	[°C]	0	-10

1) Liquids with viscosity similar to water

2) Applies to the inside of the suction installation. The container must be unpressurised.

7.1.1 Weight without packaging

RSL and FV up to 60 l/h

Weight [kg]			
Material of enclosure:	PE	PVDF	SS
RSL	0.28 - 0.4	0.43 - 0.62	-
FV	0.11 - 0.26	0.13 - 0.28	0.18

RSL and FV up to 460 l/h

Weight [kg]			
Material of enclosure:	PE	PVDF	SS
RSL	0.67 - 0.97	-	-
FV	0.15	0.20	0.80

RSL and FV up to 1150 l/h

Weight [kg]				
Material of enclosure:	PVC	PP	PVDF	SS
RSL	1.5	-	-	-
FV	0.27	0.25	0.3	0.65

7.2 Electrical data (for products with two-step level indication)

Data		RSL / FV	
		PE	PVDF
Length of included signal cable ¹⁾	[m]	5	
Type of included signal cable		LIY2Y	
Max. voltage of reed switches	[V]	48	
Max. current of reed switches	[A]	0.5	
Max. load of reed switches	[VA]	10	

1) For suction lances the indicated cable length is measured starting from the valve body

7.3 Dimensions

7.3.1 RSL up to 60 l/h

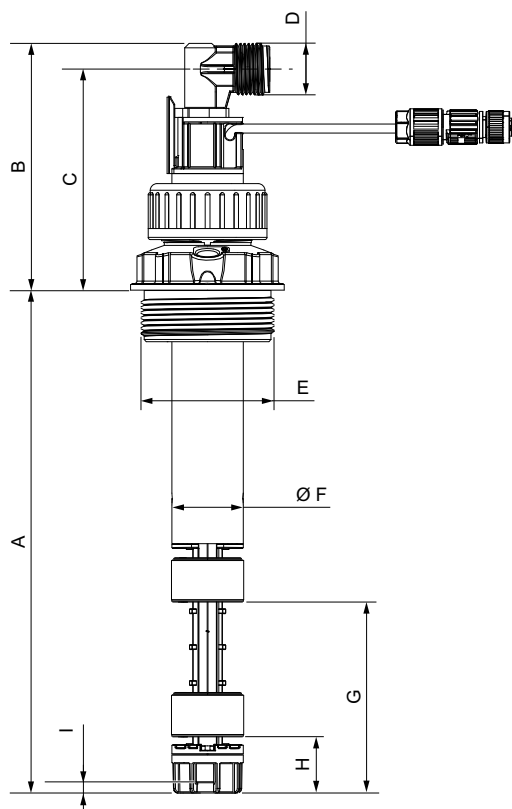


Fig. 23 RSL with / without level indication

A	B	C	D	E	ØF	G	H	I
[mm]	[mm]	[mm]			[mm]	[mm]	[mm]	[mm]
400								
500								
570								
690	110	99	G 5/8	G 2	32	85	25	4.5
820								
980								
1100								
1200								

7.3.2 FV up to 60 l/h

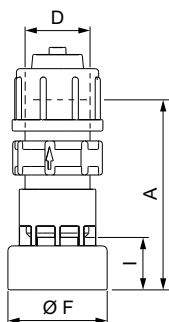


Fig. 24 FV without level indication, PE/PVDF

A	D	ØF	I
[mm]		[mm]	[mm]
67.5	G 5/8	35	19

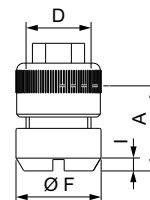


Fig. 25 FV without level indication (stainless-steel version)

A	D	ØF	I
[mm]		[mm]	[mm]
30	G 5/8	30	4

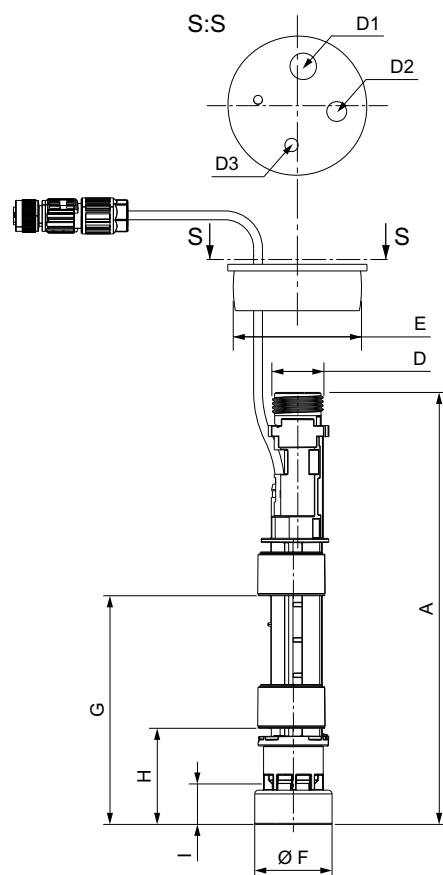


Fig. 26 FV with level indication

A	D	D1/D2/D3	E	ØF	G	H	I
[mm]		[mm]	[mm]	[mm]	[mm]	[mm]	[mm]
196	G 5/8	12/9/6	58	35	103.5	43.5	19

TM04 8494 1617

TM04 8445 1617

TM04 8447 1617

TM04 8446 1617

7.3.3 RSL up to 460 l/h

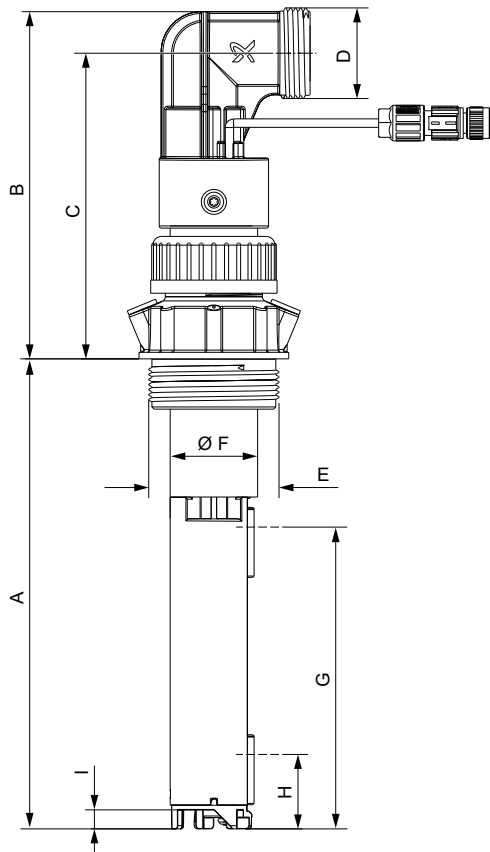


Fig. 27 RSL with / without level indication

A	B	C	D	E	ØF	G*	H*	I
[mm]	[mm]	[mm]			[mm]	[mm]	[mm]	[mm]
500								
690	159	140	G 5/4	G 2	40	138	34	8.7
980								
1200								

* Switching level for water

TM06 9059 1617

7.3.4 FV up to 460 l/h

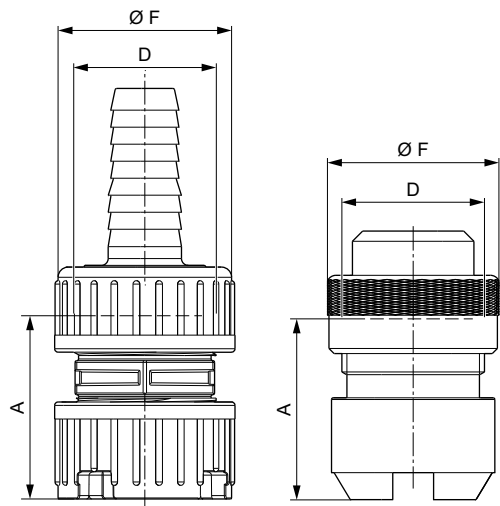


Fig. 28 Left: FV, PE/PVDF. Right: FV, stainless steel.

Material	A	D	ØF
	[mm]		[mm]
PE/PVDF	57	G 5/4	53
SS	57	G 5/4	50

TM06 9058 1617

7.3.5 RSL up to 1150 l/h

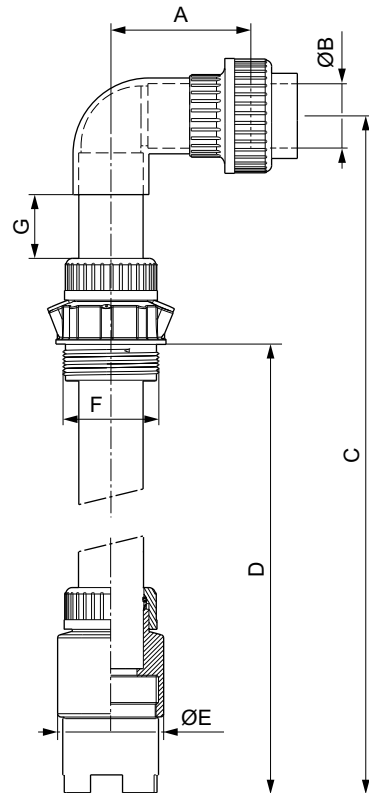
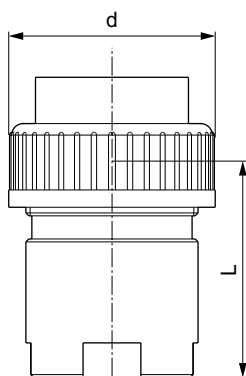


Fig. 29 RSL up to 1150 l/h

A	ØB	C _{max.}	D	ØE	F	G
[mm]	[mm]	[mm]	[mm]	[mm]		[mm]
87	40	1342	1200	66	G 2	40

TM07 0609 0418

7.3.6 FV up to 1150 l/h



TM07 0608 0418

Fig. 30 FV up to 1150 l/h

Material	d	L
	[mm]	[mm]
PVC/PP/PVDF	71.5	75
SS	70	75

7.4 Required immersion depth for Grundfos tanks without threaded connection

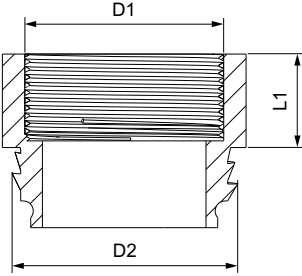
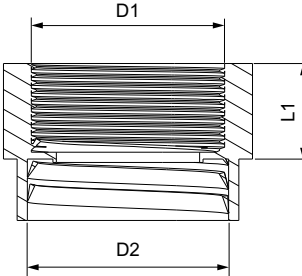
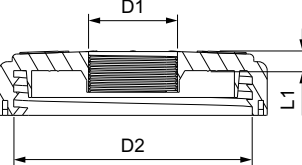
Container type	Volume [l]	Required immersion depth [mm]
Grundfos cylindrical tank	40	400
	1000	1200
Grundfos square tank	100	470

7.5 Required immersion depth for exchangeable containers

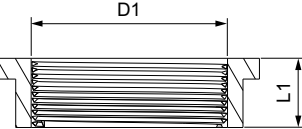
Container type	Volume [l]	Required immersion depth [mm]
L-ring drum (blue)	120	820
	220	980
Steel drum (standard)	216	980
Standard jerrycan according to EN 12712/12713	12, 33 (large opening)	400
	25, 30, 33	500
	60	690
IBC (Intermediate Bulk Container)	all	1200

8. Accessories

8.1 Adapters for exchangeable containers

Dimensional drawing	Dimensions			Description	Material, colour	Product No.
	D1	D2	L1 [mm]			
	G 2	2 NPT	31	Adapter for containers with 2 NPT threaded opening	PVC, grey	98156690
	G 2	S 70 x 6	28	Adapter for drums with S 70 x 6 coarse thread (MAUSER 2")	PE, blue	98071171
	G 2	S 56 x 4	28	Adapter for drums with S 56 x 4 coarse thread (TriSure®)	PE, orange	98071172
	G 2	CCS 46 x 4	28	Adapter for jerrycans with opening of approx. 36 mm, according to EN 12713	PE, green	98071173
	G 2	CCS 60 x 6	28	Adapter for jerrycans with opening of approx. 45 mm, according to EN 12713	PE, yellow	98071174
	G 2	CCS 70 x 6	31	Adapter for jerrycans with opening of approx. 57 mm, according to EN 12713	PE, brown	98071175
	G 2	ASTM 63	28	Adapter for US containers with bung hole of 63 mm (ASTM International)	PE, white	98071176
	G 2	S 160 x 7	12.8	Adapter for IBC (Intermediate Bulk Container) with opening of 150 mm	PE, black	98071177

8.2 Counter nut for container connection diameter 60 mm

Dimensional drawing	Dimensions		Description	Material, colour	Product No.
	D1	L1 [mm]			
	G 2	21	Counter nut for containers with opening of 60 mm (without thread), e.g. 100-litre square tank or 1000-litre cylindrical tank	PVC, grey	98071170

8.3 Emission protection kits

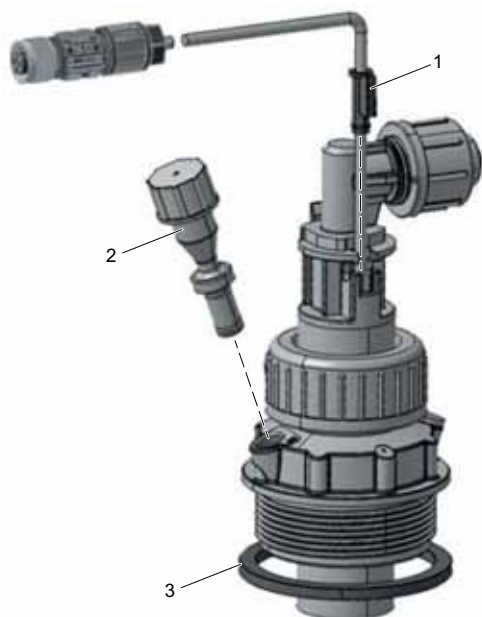
Rigid suction lances can be retrofitted with emission protection kits.

Two variants are available:

- Emission protection kit with snifting valve: no gas can escape from the container, but air can be drawn in.
- Emission protection kit for use with filter: gas can escape from the container and air can be drawn in. The kit can be connected to a filter by means of a 4/6 mm hose.

Emission protection kits include:

- Gasket for the tank adapter
- Snifting valve or hose nipple 4/6 mm (hose is not included)
- Gasket for the cable outlet.



TM06 9068 1617

Fig. 31 Emission protection kit

Pos.	Description
1	Gasket for the cable outlet
2	Air valve
3	Gasket for the tank adapter

8.3.1 Order data

Variant	Product No.
Emission protection kit with snifting valve	98071178
Emission protection kit for use with filter	98071179

9. Disposing of the product

This product or parts of it must be disposed of in an environmentally sound way:

1. Use the public or private waste collection service.
2. If this is not possible, contact the nearest Grundfos company or service workshop.

Argentina

Bombas GRUNDFOS de Argentina S.A.
Ruta Panamericana km. 37.500 Centro
Industrial Garin
1619 - Garin Pcia. de B.A.
Phone: +54-3327 414 444
Telefax: +54-3327 411 111

Australia

GRUNDFOS Pumps Pty. Ltd.
P.O. Box 2040
Regency Park
South Australia 5942
Phone: +61-8-8461-4611
Telefax: +61-8-8340 0155

Austria

GRUNDFOS Pumpen Vertrieb Ges.m.b.H.
Grundfosstraße 2
A-5082 Grödig/Salzburg
Tel.: +43-6246-883-0
Telefax: +43-6246-883-30

Belgium

N.V. GRUNDFOS Bellux S.A.
Boomssesteenweg 81-83
B-2630 Aartselaar
Tel.: +32-3-870 7300
Télécopie: +32-3-870 7301

Belarus

Представительство ГРУНДФОС в
Минске
220125, Минск
ул. Шафарьянская, 11, оф. 56
Тел.: +7 (375 17) 286 39 72, 286 39 73
Факс: +7 (375 17) 286 39 71
E-mail: minsk@grundfos.com

Bosnia/Herzegovina

GRUNDFOS Sarajevo
Trg Heroja 16,
BiH-71000 Sarajevo
Phone: +387 33 713 290
Telefax: +387 33 659 079
e-mail: grundfos@bih.net.ba

Brazil

BOMBAS GRUNDFOS DO BRASIL
Av. Humberto de Alencar Castelo Branco,
630
CEP 09850 - 300
São Bernardo do Campo - SP
Phone: +55-11 4393 5533
Telefax: +55-11 4343 5015

Bulgaria

GRUNDFOS Bulgaria EOOD
Slatina District
Iztochna Tangenta street no. 100
BG - 1592 Sofia
Tel. +359 2 49 22 200
Fax. +359 2 49 22 201
email: bulgaria@grundfos.bg

Canada

GRUNDFOS Canada Inc.
2941 Brighton Road
Oakville, Ontario
L6H 6C9
Phone: +1-905 829 9533
Telefax: +1-905 829 9512

China

Grundfos Alldos
Dosing & Disinfection
ALLDOS (Shanghai) Water Technology
Co. Ltd.
West Unit, 1 Floor, No. 2 Building (T 4-2)
278 Jinhua Road, Jin Qiao Export
Processing Zone
Pudong New Area
Shanghai, 201206
Phone: +86 21 5055 1012
Telefax: +86 21 5032 0596
E-mail: grundfosalldos-CN@grundfos.com

China

GRUNDFOS Pumps (Shanghai) Co. Ltd.
10F The Hub, No. 33 Suhong Road
Minhang District
Shanghai 201106
PRC
Phone: +86-21 6122 5222
Telefax: +86-21 6122 5333

COLOMBIA

GRUNDFOS Colombia S.A.S.
Km 1.5 vía Siberia-Cota Conj. Potrero
Chico,
Parque Empresarial Arcos de Cota Bod.
1A.

Cota, Cundinamarca
Phone: +57(1)-2913444
Telefax: +57(1)-8764586

Croatia

GRUNDFOS CROATIA d.o.o.
Cebini 37, Buzin
HR-10010 Zagreb
Phone: +385 1 6595 400
Telefax: +385 1 6595 499
www.hr.grundfos.com

GRUNDFOS Sales Czechia and**Slovakia s.r.o.**

Čapkovského 21
779 00 Olomouc
Phone: +420-585-716 111

Denmark

GRUNDFOS DK A/S
Martin Bachs Vej 3
DK-8850 Bjerringbro
Tlf.: +45-87 50 50 50
Telefax: +45-87 50 51 51
E-mail: info_GDK@grundfos.com
www.grundfos.com/DK

Estonia

GRUNDFOS Pumps Eesti OÜ
Peterburi tee 92G
11415 Tallinn
Tel: + 372 606 1690
Fax: + 372 606 1691

Finland

OY GRUNDFOS Pumput AB
Trukkikuja 1
FI-01360 Vantaa
Phone: +358-(0)207 889 500

France

Pompes GRUNDFOS Distribution S.A.
Parc d'Activités de Chesnes
57, rue de Malacombe
F-38290 St. Quentin Fallavier (Lyon)
Tél.: +33-4 74 82 15 15
Télécopie: +33-4 74 94 10 51

Germany

GRUNDFOS Water Treatment GmbH
Reetzstraße 85
D-76327 Pfinztal (Söllingen)
Tel.: +49 7240 61-0
Telefax: +49 7240 61-177
E-mail: gwt@grundfos.com

Germany

GRUNDFOS GMBH
Schlüterstr. 33
40699 Erkrath
Tel.: +49-(0) 211 929 69-0
Telefax: +49-(0) 211 929 69-3799
E-mail: infoservice@grundfos.de
Service in Deutschland:
E-mail: kundendienst@grundfos.de

Greece

GRUNDFOS Hellas A.E.B.E.
20th km. Athinon-Markopoulou Av.
P.O. Box 71
GR-19002 Peania
Phone: +0030-210-66 83 400
Telefax: +0030-210-66 46 273

Hong Kong

GRUNDFOS Pumps (Hong Kong) Ltd.
Unit 1, Ground floor
Siu Wai Industrial Centre
29-33 Wing Hong Street &
68 King Lam Street, Cheung Sha Wan
Kowloon
Phone: +852-27861706 / 27861741
Telefax: +852-27858664

Hungary

GRUNDFOS Hungária Kft.
Tópark u. 8
H-2045 Törökbálint,
Phone: +36-23 511 110
Telefax: +36-23 511 111

India

GRUNDFOS Pumps India Private Limited
118 Old Mahabalipuram Road
Thoraiakkam
Chennai 600 097
Phone: +91-44 4596 6800

Indonesia

PT. GRUNDFOS POMPA
Graha Intirub Lt. 2 & 3
Jln. Cililitan Besar No.454. Makasar,
Jakarta Timur
ID-Jakarta 13650
Phone: +62 21-469-51900
Telefax: +62 21-460 6910 / 460 6901

Ireland

GRUNDFOS (Ireland) Ltd.
Unit A, Merrywell Business Park
Ballymount Road Lower
Dublin 12
Phone: +353-1-4089 800
Telefax: +353-1-4089 830

Italy

GRUNDFOS Pompe Italia S.r.l.
Via Gran Sasso 4
I-20060 Truccazzano (Milano)
Tel.: +39-02-95838112
Telefax: +39-02-95309290 / 95838461

Japan

GRUNDFOS Pumps K.K.
1-2-3, Shin-Miyakoda, Kita-ku
Hamamatsu
431-2103 Japan
Phone: +81 53 428 4760
Telefax: +81 53 428 5005

Korea

GRUNDFOS Pumps Korea Ltd.
6th Floor, Aju Building 679-5
Yeoksam-dong, Kangnam-ku, 135-916
Seoul, Korea
Phone: +82-2-5317 600
Telefax: +82-2-5633 725

Latvia

SIA GRUNDFOS Pumps Latvia
Deglava biznesa centrs
Augusta Deglava ielā 60, LV-1035, Rīga,
Tālr.: + 371 714 9640, 7 149 641
Fakss: + 371 914 9646

Lithuania

GRUNDFOS Pumps UAB
Smolensko g. 6
LT-03201 Vilnius
Tel: + 370 52 395 430
Fax: + 370 52 395 431

Malaysia

GRUNDFOS Pumps Sdn. Bhd.
7 Jalan Peguam U1/25
Glenmarie Industrial Park
40150 Shah Alam
Selangor
Phone: +60-3-5569 2922
Telefax: +60-3-5569 2866

Mexico

Bombas GRUNDFOS de México S.A. de
C.V.
Boulevard TLC No. 15
Parque Industrial Stiva Aeropuerto
Apodaca, N.L. 66600
Phone: +52-81-8144 4000
Telefax: +52-81-8144 4010

Netherlands

GRUNDFOS Netherlands
Veluwezoom 35
1326 AE Almere
Postbus 22015
1302 CA ALMERE
Tel.: +31-88-478 6336
Telefax: +31-88-478 6332
E-mail: info_gnl@grundfos.com

New Zealand

GRUNDFOS Pumps NZ Ltd.
17 Beatrice Tinsley Crescent
North Harbour Industrial Estate
Albany, Auckland
Phone: +64-9-415 3240
Telefax: +64-9-415 3250

Norway

GRUNDFOS Pumper A/S
Strømsveien 344
Postboks 235, Leirdal
N-1011 Oslo
Tlf.: +47-22 90 47 00
Telefax: +47-22 32 21 50

Poland

GRUNDFOS Pompy Sp. z o.o.
ul. Klonowa 23
Baranowo k. Poznania
PL-62-081 Przeźmierowo
Tel: (+48-61) 650 13 00
Fax: (+48-61) 650 13 50

Portugal

Bombas GRUNDFOS Portugal, S.A.
Rua Calvet de Magalhães, 241
Apartado 1079
P-2770-153 Paço de Arcos
Tel.: +351-21-440 76 00
Telefax: +351-21-440 76 90

Romania

GRUNDFOS Pompe România SRL
Bd. Biruintei, nr 103
Pantelimon county Ilfov
Phone: +40 21 200 4100
Telefax: +40 21 200 4101
E-mail: romania@grundfos.ro

Russia

ООО Грундфос
ул. Школьная, 39-41
Москва, RU-109544, Russia
Тел. (+7) 495 737 30 00, 564 8800
Факс (+7) 495 737 75 36, 564 8811
E-mail grundfos.moscow@grundfos.com

Serbia

GRUNDFOS Predstavništvo Beograd
Dr. Milutina Ivkovića 2a/29
Yu-11000 Beograd
Phone: +381 11 26 47 877 / 11 26 47 496
Telefax: +381 11 26 48 340

Singapore

GRUNDFOS (Singapore) Pte. Ltd.
25 Jalan Tukang
Singapore 619264
Phone: +65-6681 9688
Telefax: +65-6681 9689

Slovakia

GRUNDFOS s.r.o.
Prievorská 4D
821 09 BRATISLAVA
Phona: +421 2 5020 1426
sk.grundfos.com

Slovenia

GRUNDFOS LJUBLJANA, d.o.o.
Leskoskova 9e, 1122 Ljubljana
Phone: +386 (0) 1 568 06 10
Telefax: +386 (0) 1 568 06 19
E-mail: tehnika-si@grundfos.com

South Africa

Grundfos (PTY) Ltd.
Corner Mountjoy and George Allen Roads
Wilbart Ext. 2
Bedfordview 2008
Phone: (+27) 11 579 4800
Fax: (+27) 11 455 6066
E-mail: lsmart@grundfos.com

Spain

Bombas GRUNDFOS España S.A.
Camino de la Fuentecilla, s/n
E-28110 Algete (Madrid)
Tel.: +34-91-848 8800
Telefax: +34-91-628 0465

Sweden

GRUNDFOS AB
(Box 333) Lunnagårdsgatan 6
431 24 Mölndal
Tel.: +46 31 332 23 000
Telefax: +46 31-331 94 60

Switzerland

GRUNDFOS ALLDOS International AG
Schönmattdorferstrasse 4
CH-4153 Reinach
Tel.: +41-61-717 5555
Telefax: +41-61-717 5500
E-mail: grundfosalldos-CH@grundfos.com

Switzerland

GRUNDFOS Pumpen AG
Bruggacherstrasse 10
CH-8117 Fällanden/ZH
Tel.: +41-44-806 8111
Telefax: +41-44-806 8115

Taiwan

GRUNDFOS Pumps (Taiwan) Ltd.
7 Floor, 219 Min-Chuan Road
Taichung, Taiwan, R.O.C.
Phone: +886-4-2305 0868
Telefax: +886-4-2305 0878

Thailand

GRUNDFOS (Thailand) Ltd.
92 Chaloein Phrakiat Rama 9 Road,
Dokmai, Pravej, Bangkok 10250
Phone: +66-2-725 8999
Telefax: +66-2-725 8998

Turkey

GRUNDFOS POMPA San. ve Tic. Ltd. Sti.
Gebze Organize Sanayi Bölgesi
İhsan dede Caddesi,
2. yol 200. Sokak No. 204
41490 Gebze/ Kocaeli
Phone: +90 - 262-679 7979
Telefax: +90 - 262-679 7905
E-mail: satis@grundfos.com

Ukraine

Бізнес Центр Європа
Столицне шосе, 103
м. Київ, 03131, Україна
Телефон: (+38 044) 237 04 00
Факс: (+38 044) 237 04 01
E-mail: ukraine@grundfos.com

United Arab Emirates

GRUNDFOS Gulf Distribution
P.O. Box 16768
Jebel Ali Free Zone
Dubai
Phone: +971-4- 8815 166
Telefax: +971-4-8815 136

United Kingdom

GRUNDFOS Pumps Ltd.
Grovebury Road
Leighton Buzzard/Beds. LU7 4TL
Phone: +44-1525-850000
Telefax: +44-1525-850011

U.S.A.

GRUNDFOS Pumps Corporation
17100 West 118th Terrace
Olathe, Kansas 66061
Phone: +1-913-227-3400
Telefax: +1-913-227-3500

Uzbekistan

Grundfos Tashkent, Uzbekistan The
Representative Office of Grundfos
Kazakhstan in Uzbekistan
38a, Oybek street, Tashkent
Телефон: (+998) 71 150 3290 / 71 150
3291
Факс: (+998) 71 150 3292

Addresses revised 14.03.2018

98131771 0318

ECM: 1230218
