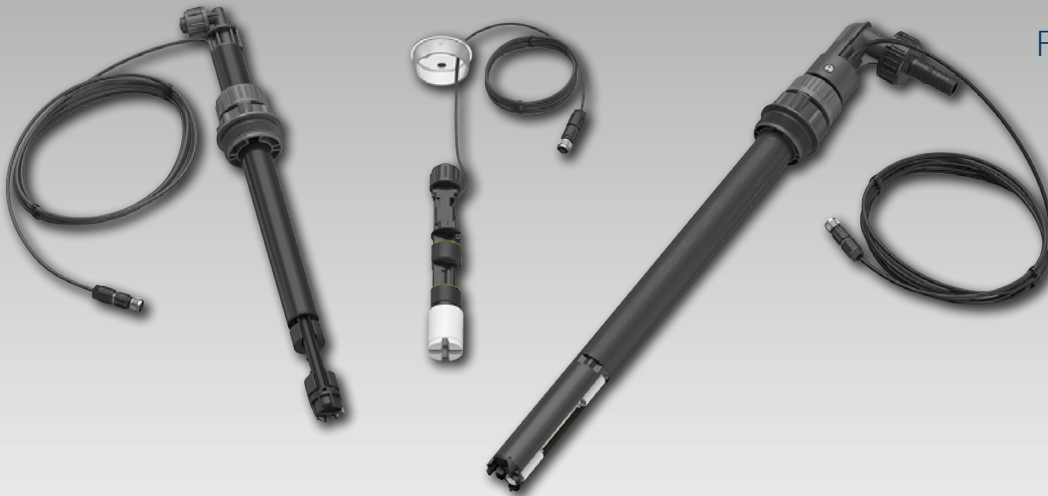


RSL/FV-2L

RIGID SUCTION LANCE
FOOT VALVE WITH LEVEL
INDICATION



Installation and
operating instructions



net.grundfos.com/qr/i/98131771

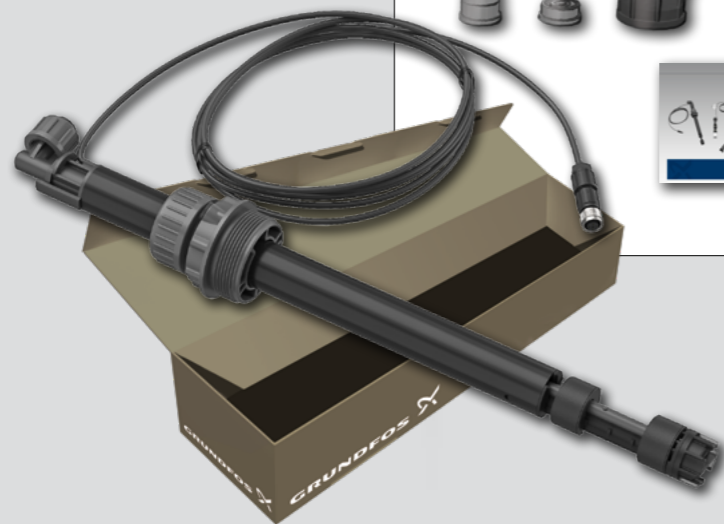
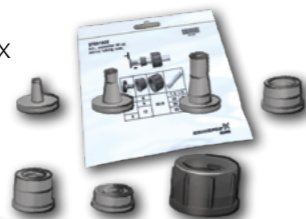


RSL - G 5/8

1x FKM +
1x EPDM/
1x PTFE



1x

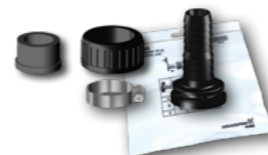


RSL - G 5/4

1x FKM +
1x EPDM/
1x PTFE



1x

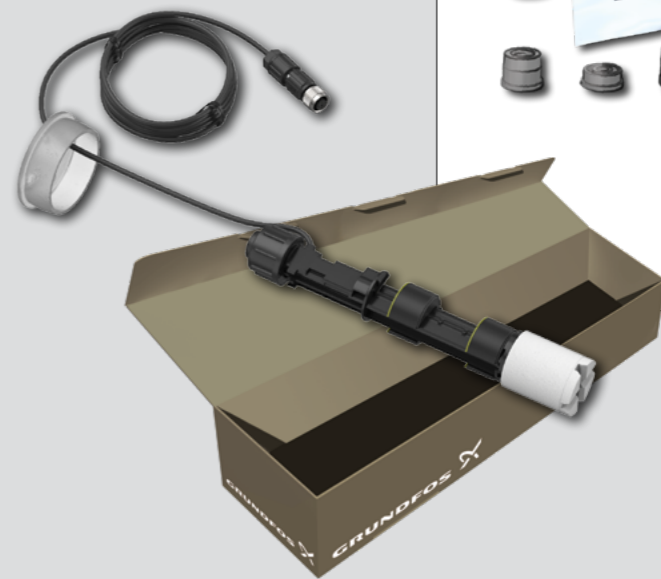
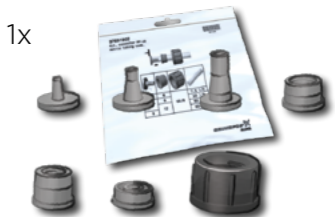


FV-2L

1x FKM +
1x EPDM/
1x PTFE

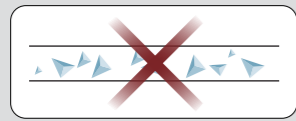


1x

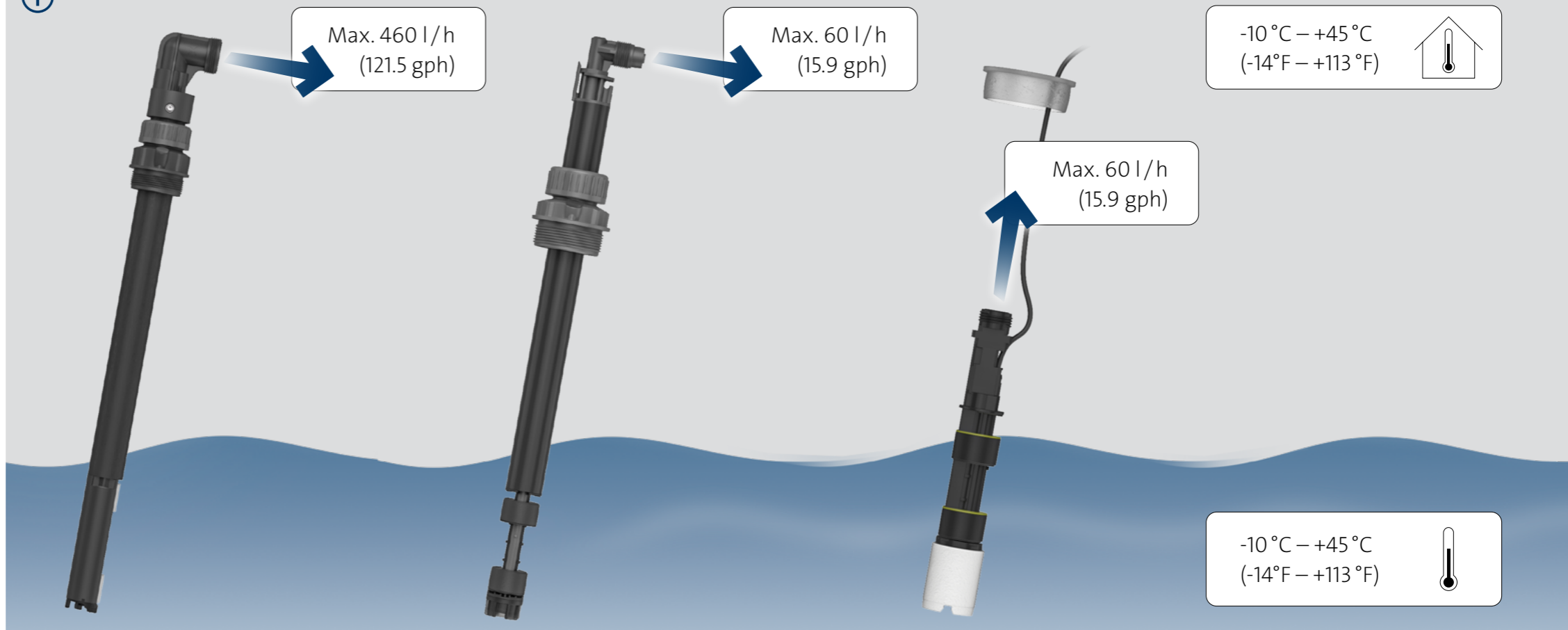




i

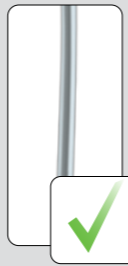
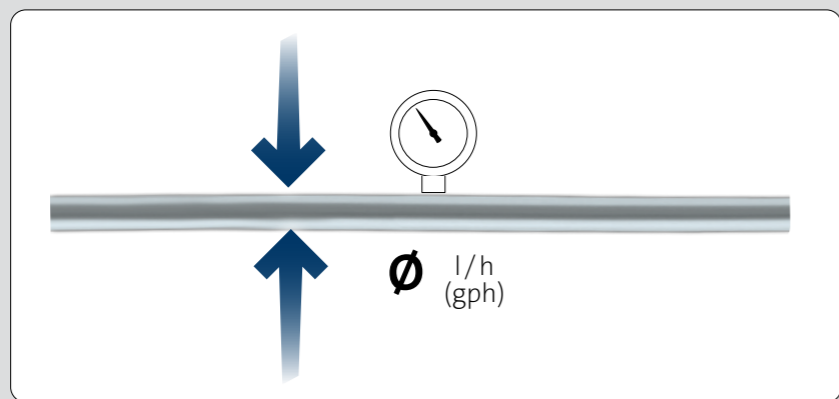
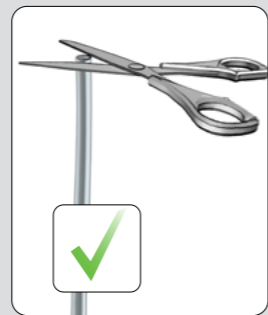
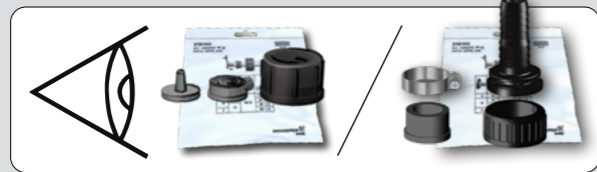


i



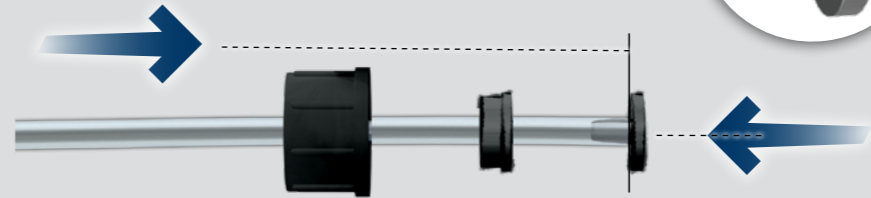
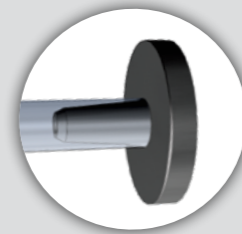
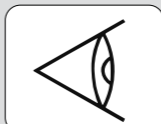


1



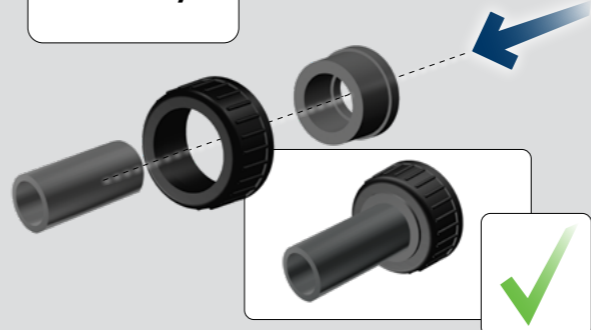
2a

RSL - G 5/8
FV-2L



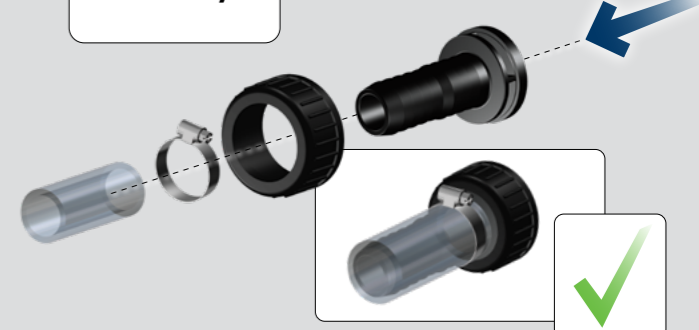
2b

RSL - G 5/4



2c

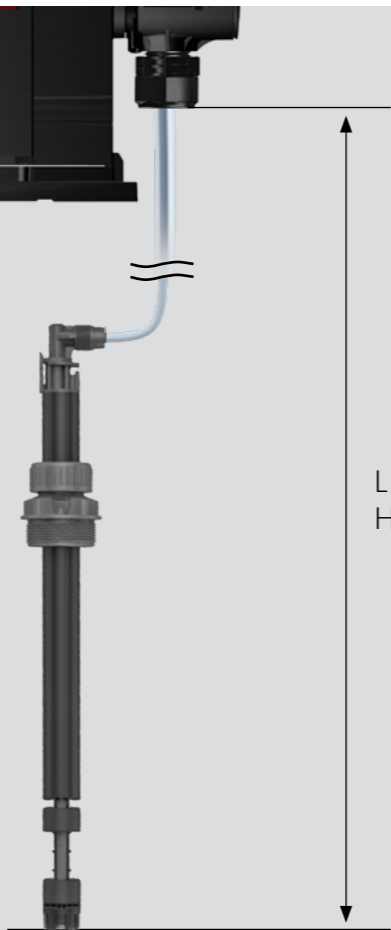
RSL - G 5/4





3a

RSL

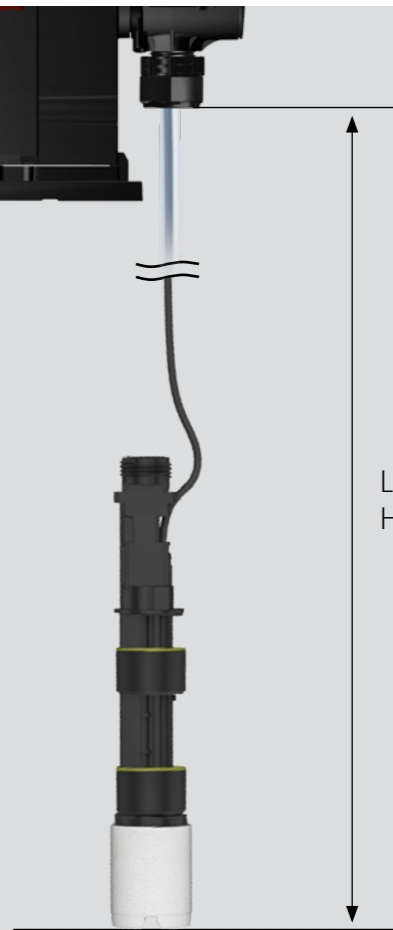


L max. /
H max. =



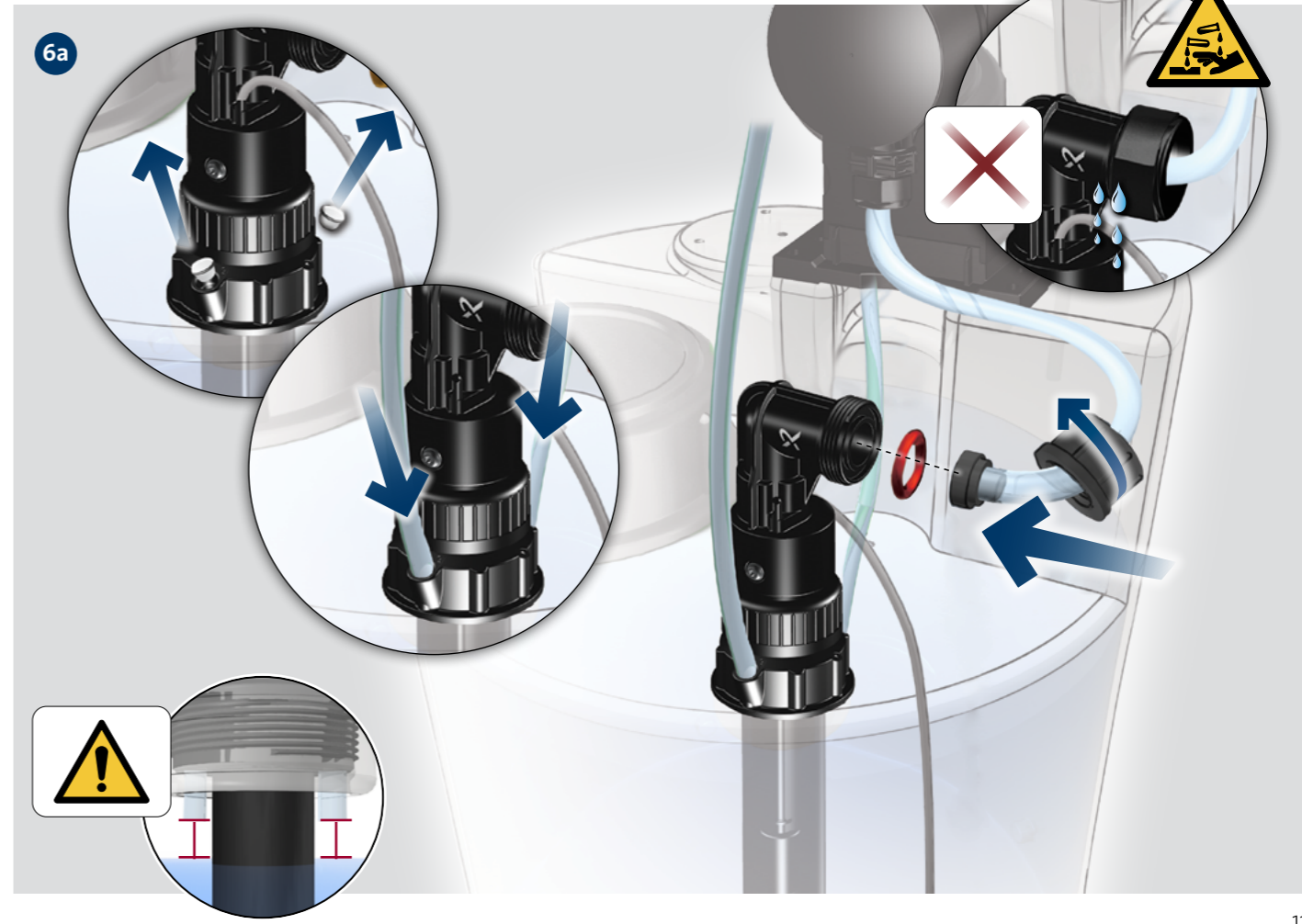
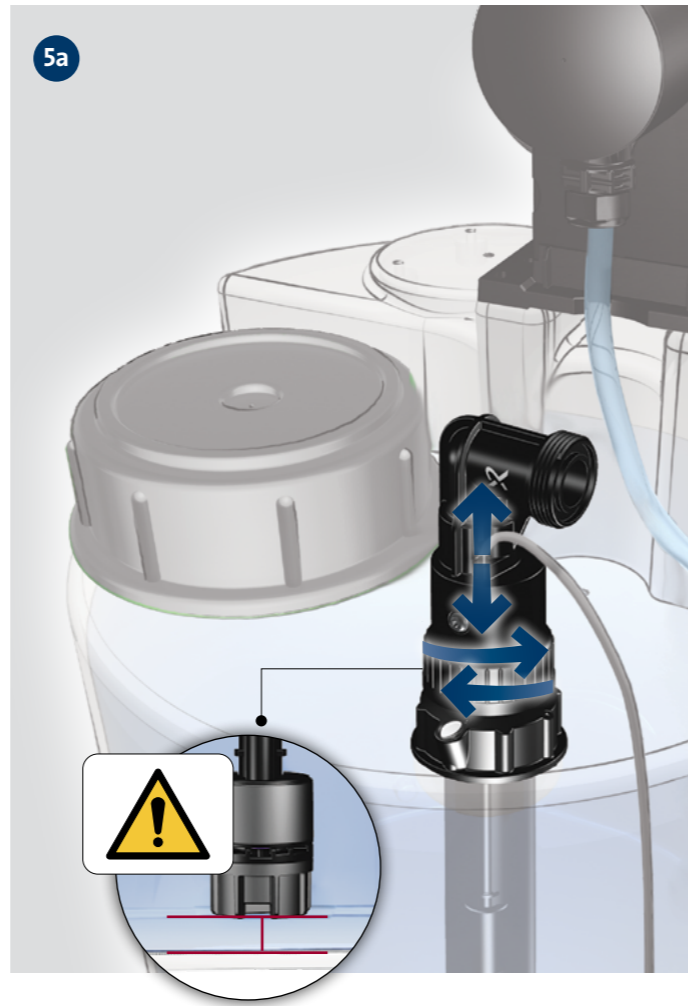
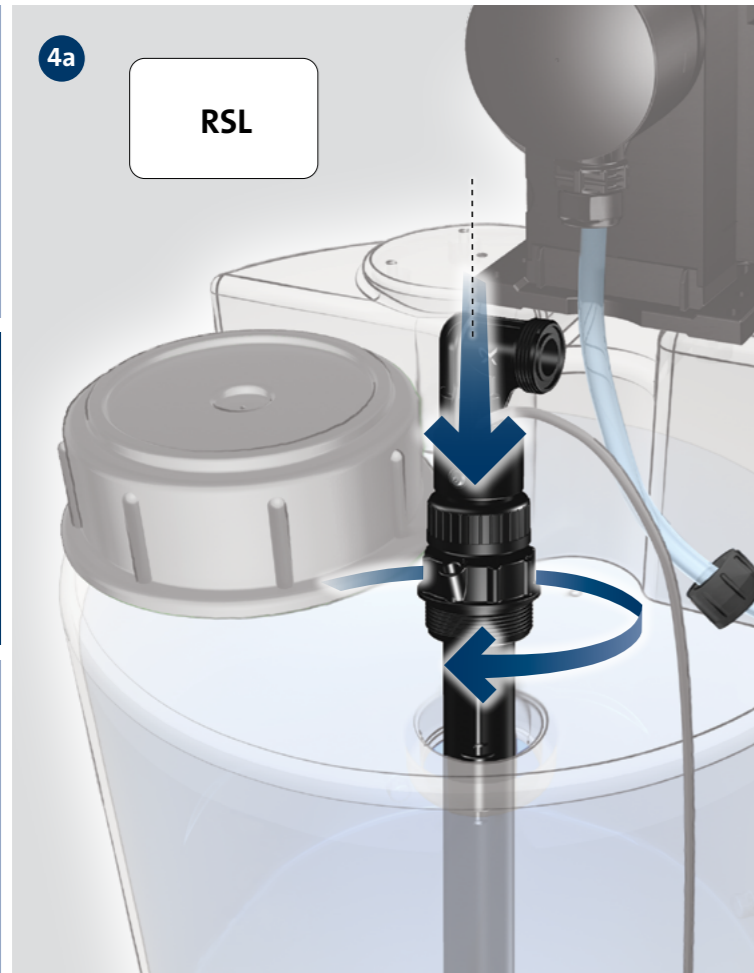
3b

FV-2L



L max. /
H max. =

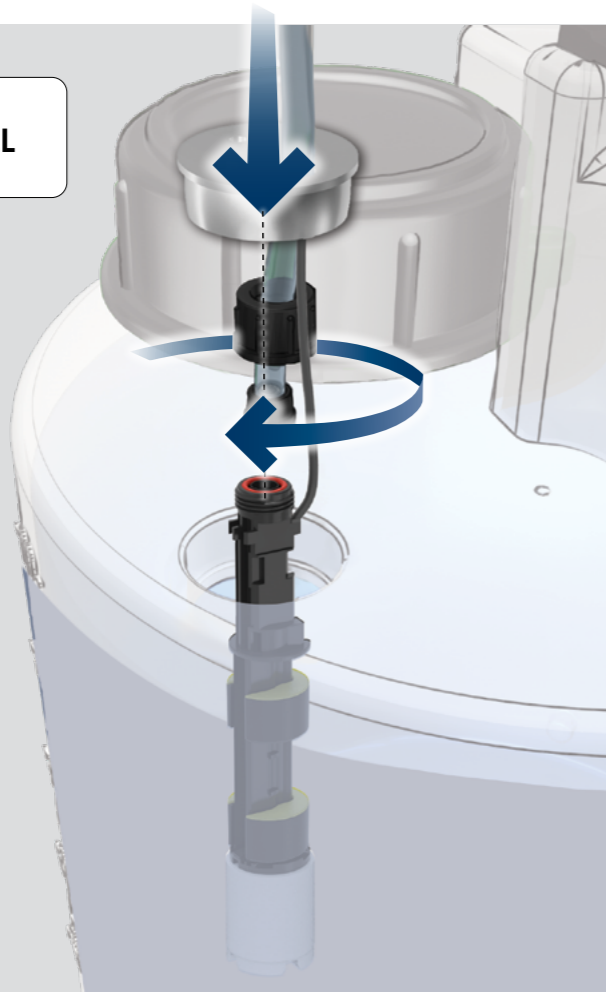




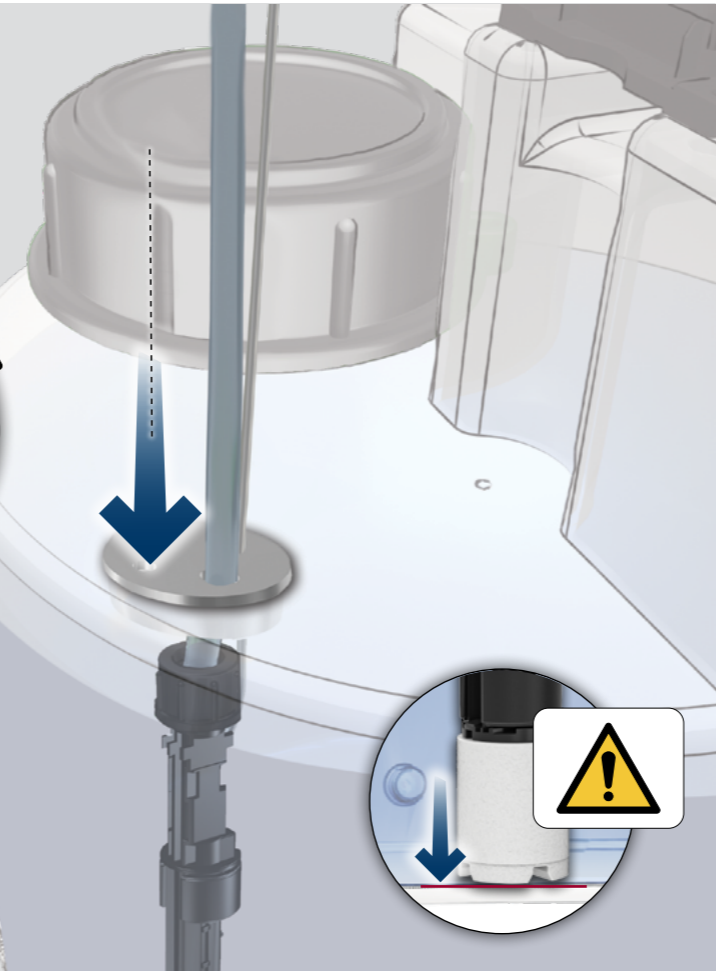


4b

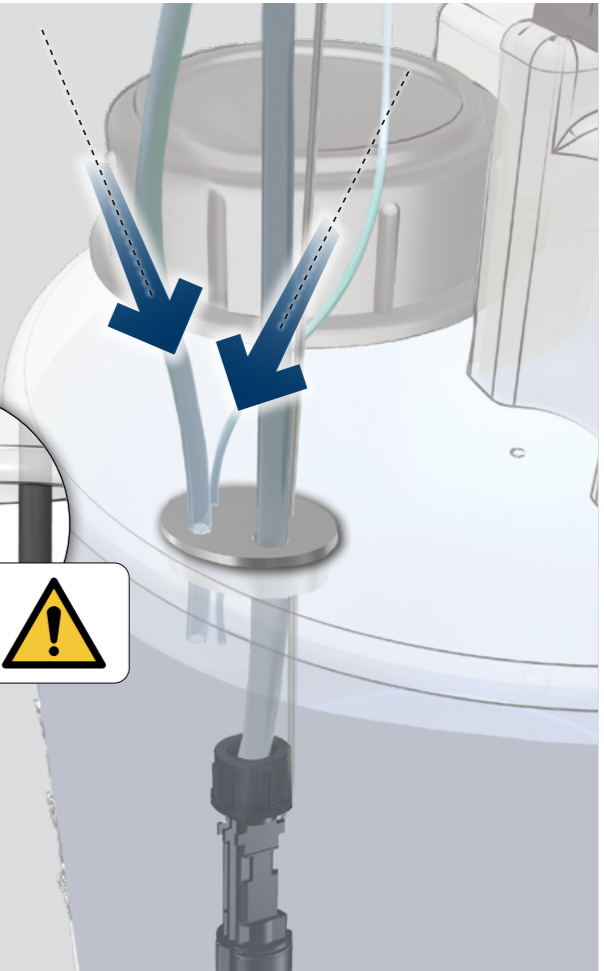
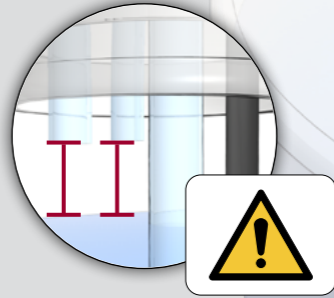
FV-2L



5b



6b

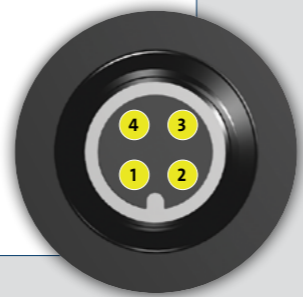
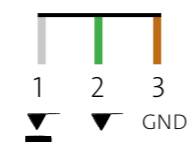




7

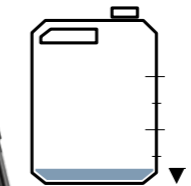
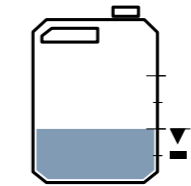
RSL / FV-2L

$\leq 48\text{ V}$
 $\leq 0.5\text{ A}$
 $\leq 10\text{ VA}$



8

RSL / FV-2L



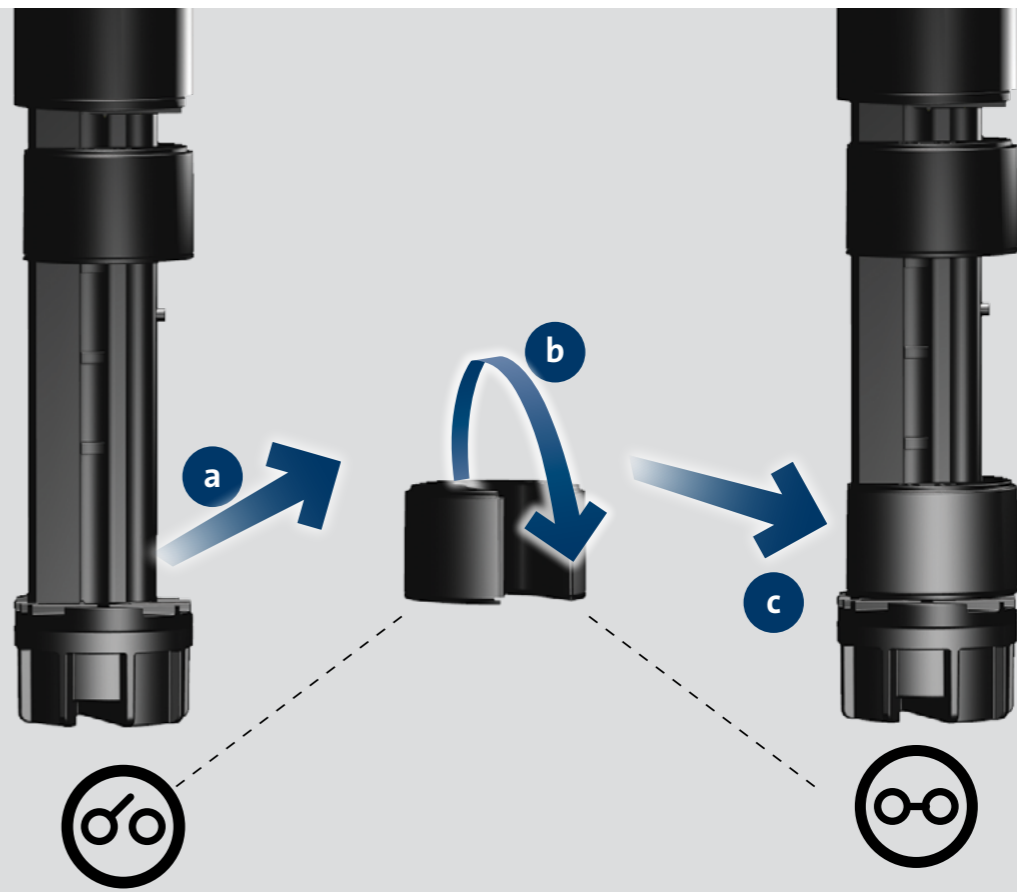
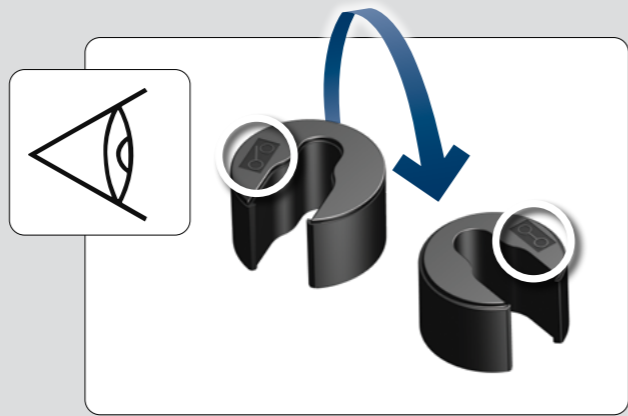


RSL - G 5/8 / FV-2L

NO → NC

∞ = NO
(normally open)
(default)

∞ = NC
(normally closed)



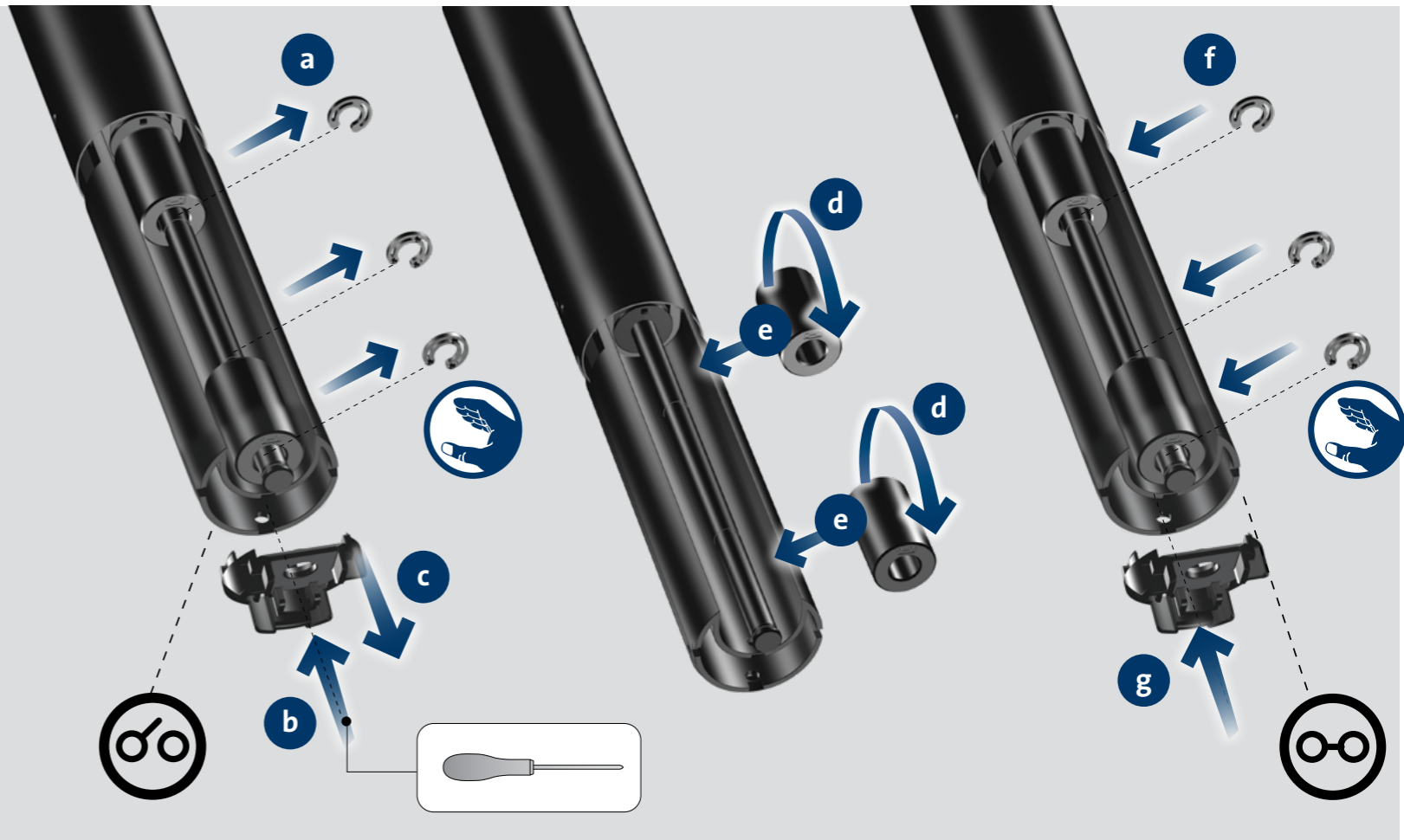
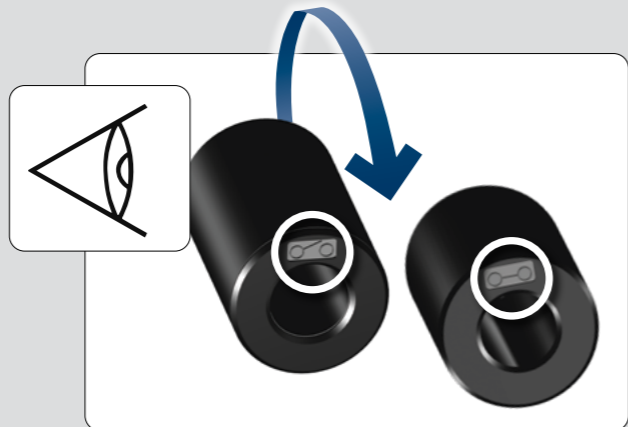


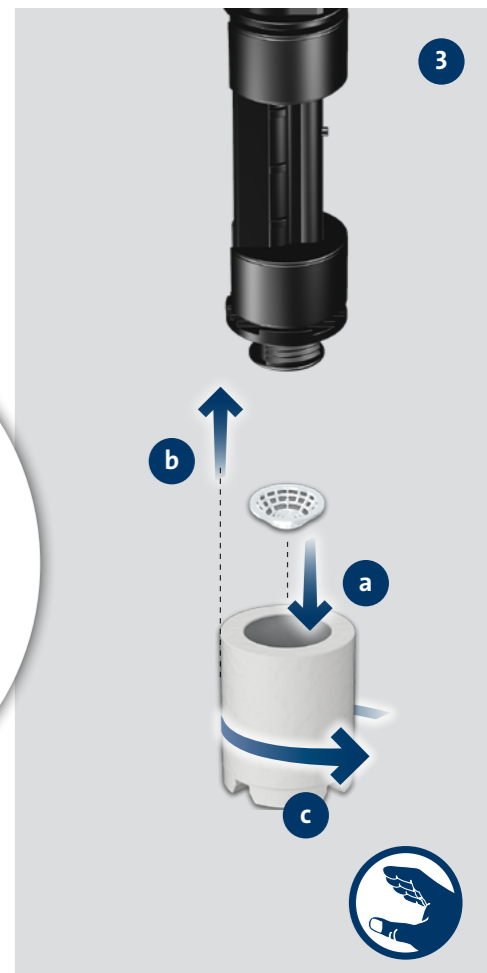
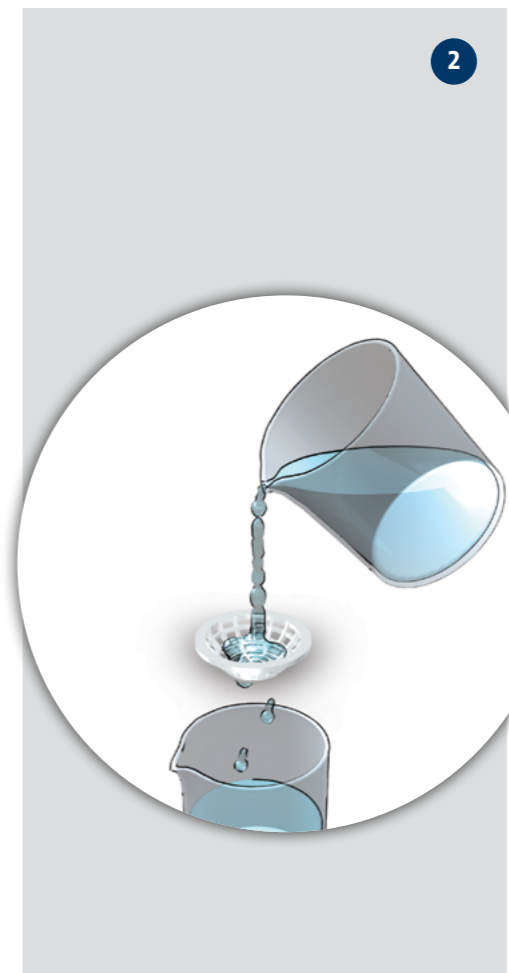
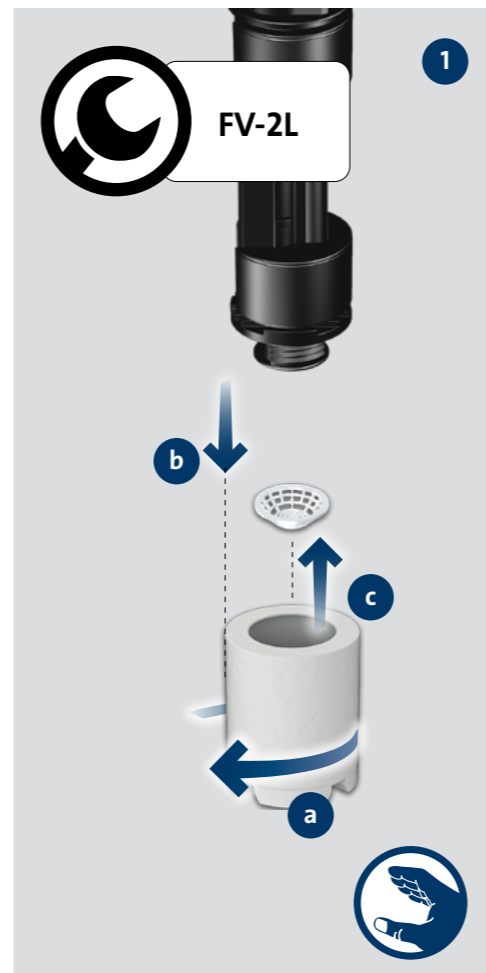
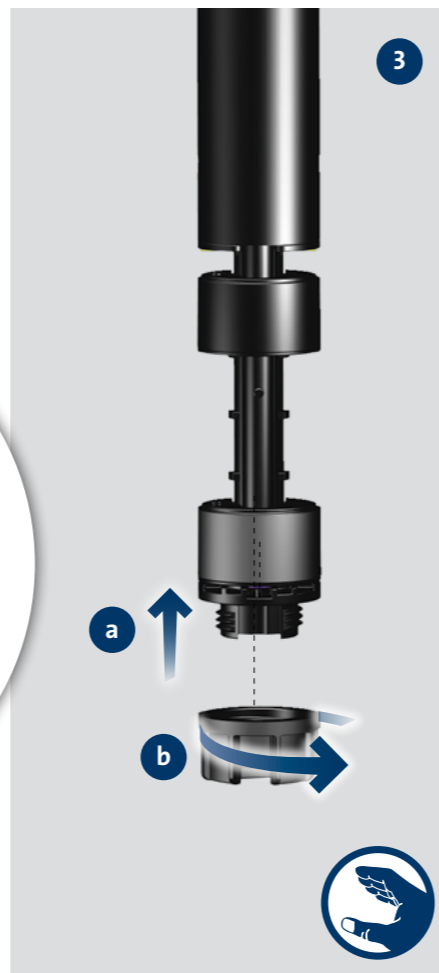
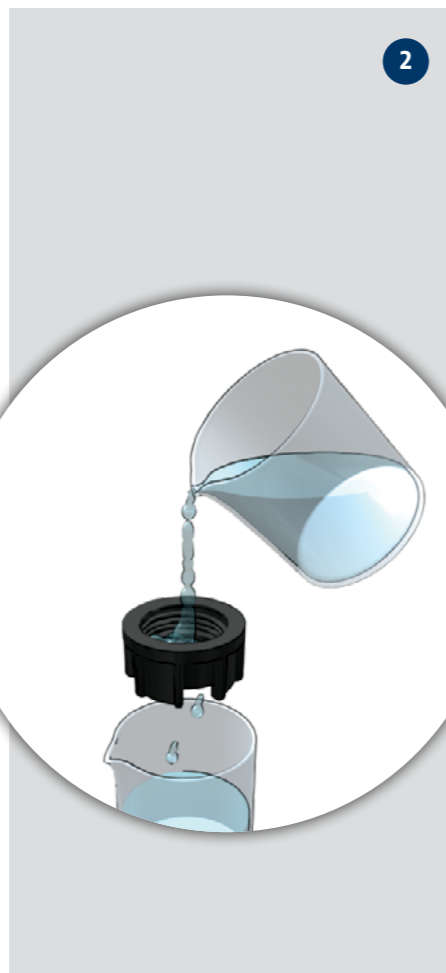
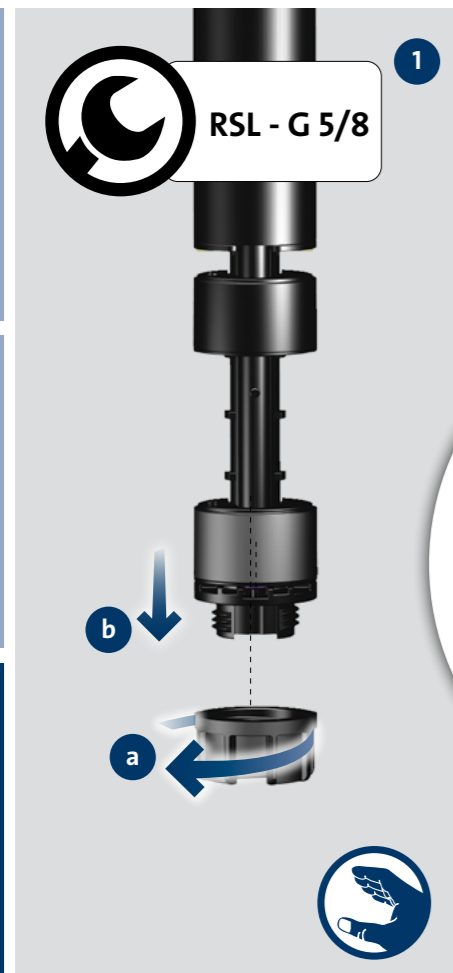
i

RSL - G 5/4

NO → NC

⊙ = NO (normally open) (default)
⊘ = NC (normally closed)

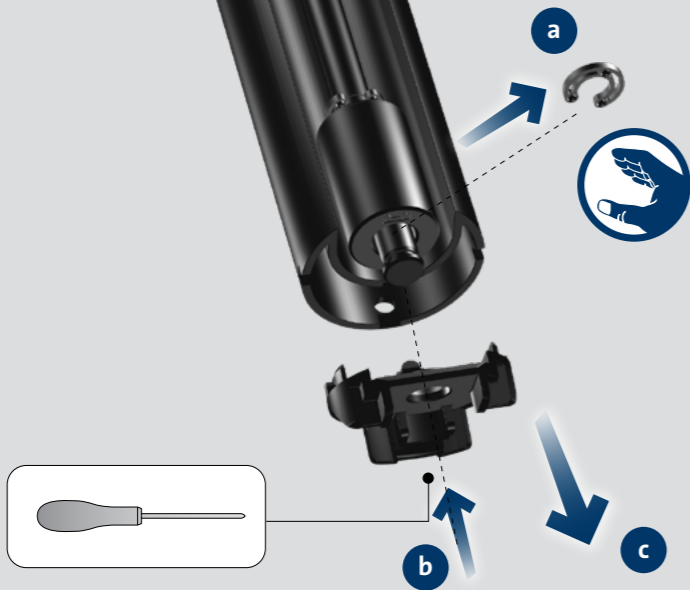




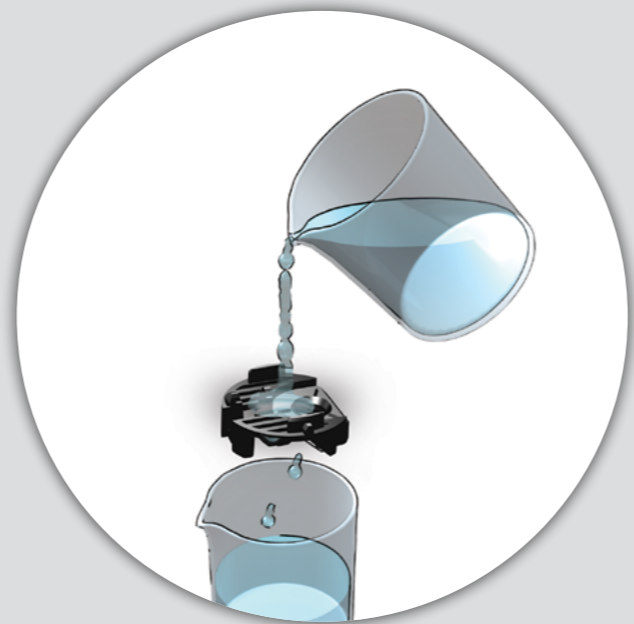


RSL - G 5/4

1



2



3



98099949 07.2022

ECM: 1347679

GRUNDFOS Holding A/S
Poul Due Jensens Vej 7
DK-8850 Bjerringbro
Tel: +45 87 50 14 00
www.grundfos.com

GRUNDFOS 