

JP-PS

JP pumps with pressure switch, 115/230 V, 60 Hz

Service kit instructions



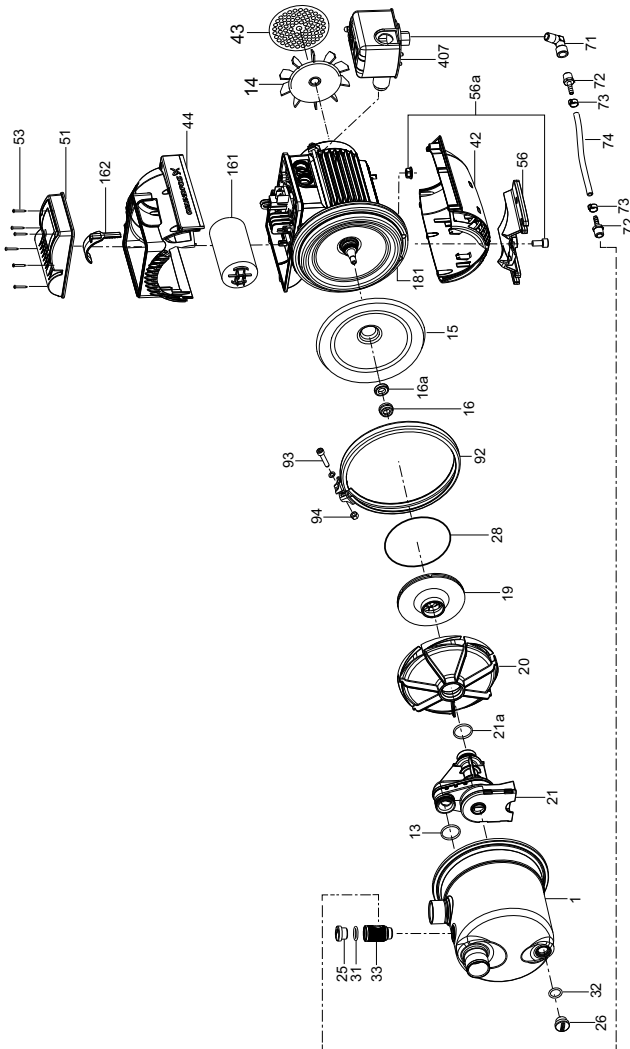
English (US) Service kit instructions

1. Models

JP-PS

Name	Product number
JP PS 13 03 137	99463938
JP PS 18 05 154	99463939
JP PS 18 07 177	99463940
JP PS 22 10 157	99463941

2. JP-PS



Pos.	Component	Material
1	Pump housing	Stainless steel AISI 304 (EN 1.4301)
13	O-ring	NBR
14	Motor fan	Composite
15	Seal disc	Stainless steel AISI 304 (EN 1.4301)
16	Shaft seal, rotary part	Carbon + NBR + AISI 304
16a	Shaft seal, stationary part	Alox + NBR
19	Impeller	Composite
20	Diffuser	Composite
21	Venturi tube	Composite
21a	O-ring	NBR
25	Plug (fill)	Composite
26	Plug (drain)	Composite
31	O-ring	NBR
32	O-ring	NBR
33	Connection extension	Stainless steel AISI 304 (EN 1.4301)
42	Lower motor housing	Composite
43	Motor housing grid	Stainless steel AISI 304 (EN 1.4301)
44	Upper motor housing	Composite
51	Terminal box cover	Composite
53	Screws	
56	Base plate	Aluminium
71	Clip	
72	Fitting 1/4 NPT	
73	Cable clamp	
74	Tubing	Polyurethane
92	Pump house ring	Stainless steel AISI 304 (EN 1.4301)
93	Screw	
94	Nut	
161	Capacitor	Composite
181	Motor flange	Aluminium
407	Pressure switch	Composite

GRUNDFOS Kansas City

9300 Loiret Blvd.
Lenexa, Kansas 66219
Phone: (913) 227-3400
Fax: (913) 227-3500

www.grundfos.us

GRUNDFOS Canada

2941 Brighton Road
Oakville, Ontario L6H 6C9 Canada
Phone: +1-905 829 9533
Telefax: +1-905 829 9512

www.grundfos.ca

GRUNDFOS México

Boulevard TLC No. 15
Parque Industrial Stiva Aeropuerto
C.P. 66600 Apodaca, N.L. México
Phone: 011-52-81-8144 4000
Fax: 011-52-81-8144 4010

www.grundfos.mx

99612574 0619

ECM: 1264076

Trademarks displayed in this material, including but not limited to Grundfos, the Grundfos logo and "be think innovate" are registered trademarks owned by The Grundfos Group. All rights reserved. © 2019 Grundfos Holding A/S, all rights reserved.