



## PL-12230

Vortex Series  
Smart Toilet

### Features

- Sleek One-Piece Smart Toilet with Integrated Personal Cleansing System
- High-Efficiency Touchless Flush
- Heated Seat
- Rear and Front Wash Nozzles
- Warm Air Dryer
- LED Night Light
- Soft-Close Seat and Easy Clean Sides
- Wireless Remote Control Included



### Material

- Vitreous China

### Available Color/Finishes

Intended for reference only

Color	Description
-------	-------------



### Installation

- Floor Mount

---

6140 Ulmerton Road Clearwater, FL 33760

Phone: (727) 388-9895

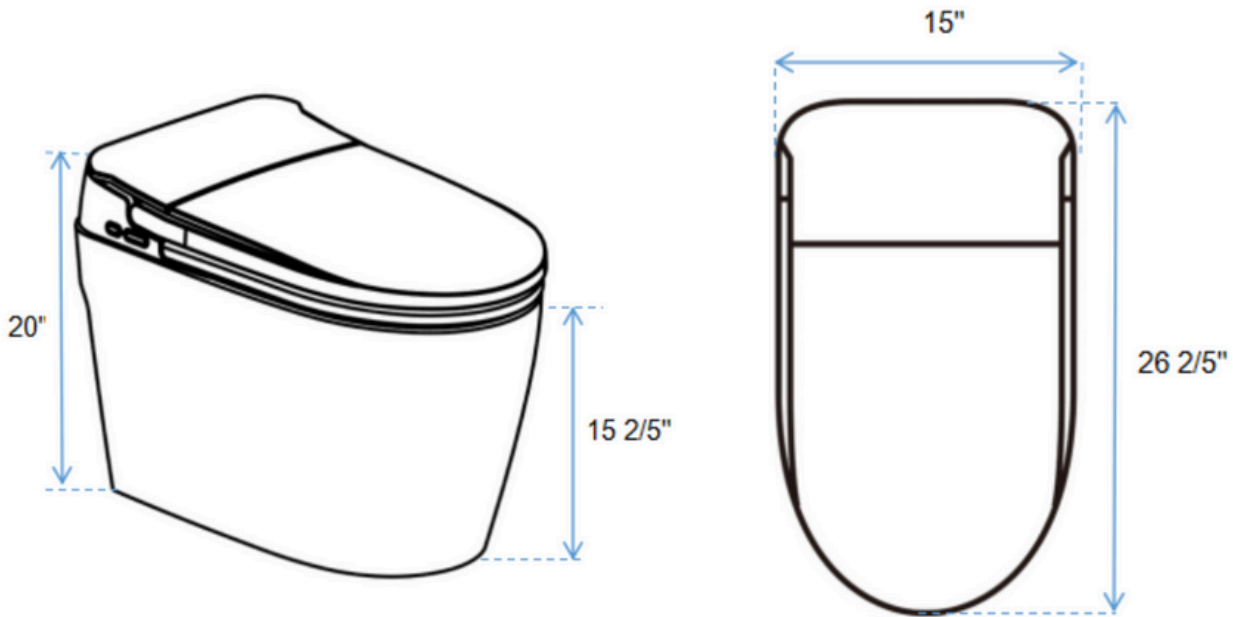
Fax: (727) 362-1281

For the most current Specification Sheet, go to [www.buildpelican.com](http://www.buildpelican.com)





**PL-12230**  
*Vortex Series*  
Smart Toilet



**Technical Information**

All product dimensions are nominal

Size: 26 2/5" x 15" x 20"

Seat Height: 15 2/5"

Trapway: 2" Fully Glazed

Rough-In: 12"

**Installation Information**

Install this product according to the installation instructions.  
*Includes all hardware for installation.*

**Limited Lifetime Warranty**

See website for detailed warranty information.

---

6140 Ulmerton Road Clearwater, FL 33760

Phone: (727) 388-9895

Fax: (727) 362-1281

For the most current Specification Sheet, go to [www.buildpelican.com](http://www.buildpelican.com)

