



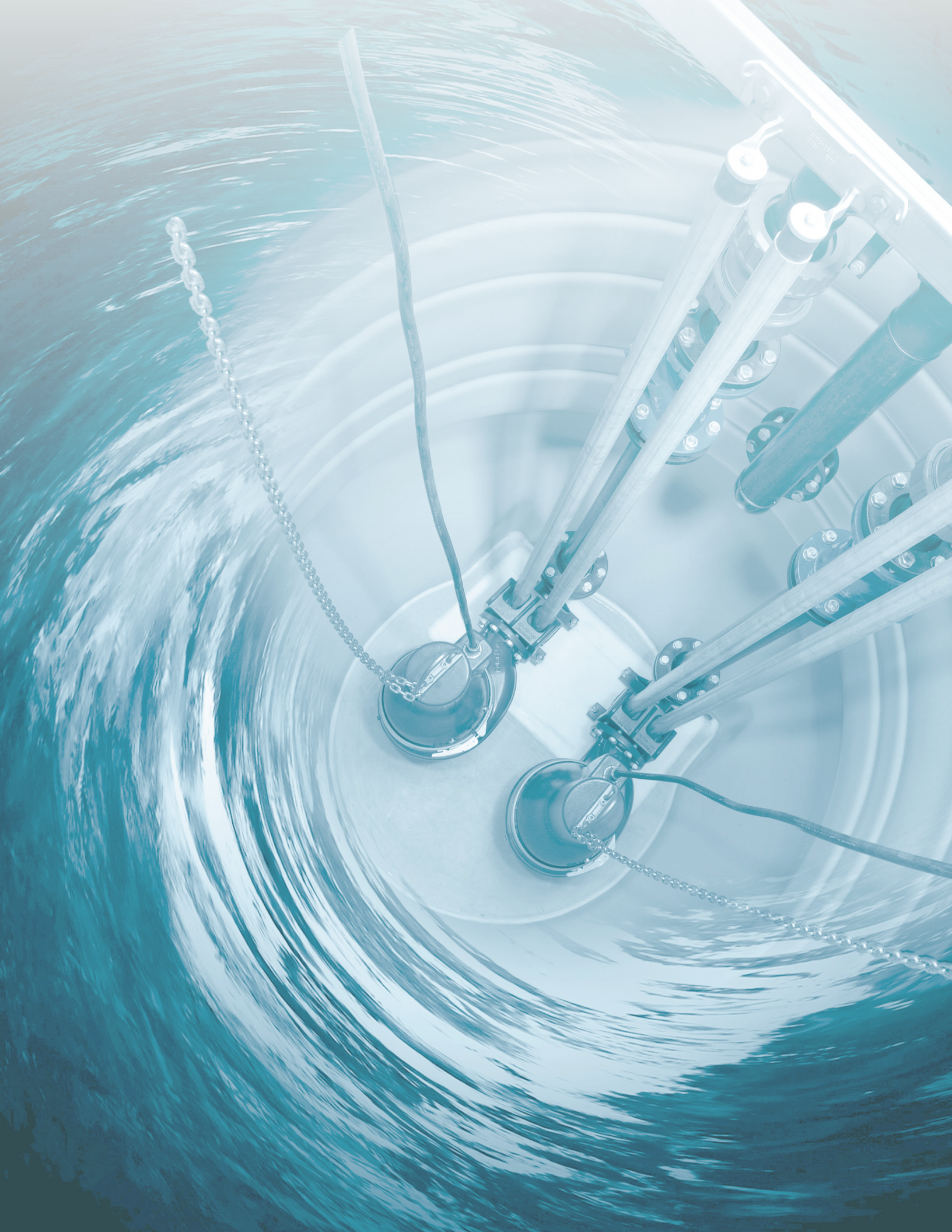
GRUNDFOS WASTEWATER

# Accessory catalog ANSI

**GRUNDFOS** 

Possibility in every drop





# Content

## Submerged installation

4

Auto coupling installation // Transportable stand // Lifting equipment

## Dry installation

10

Vertical stands // Base plates // Horizontal stand

## Fittings

16

Elbow kits and adapters

## Controls

18

LC level controllers // Dedicated controller

### Use Grundfos-approved accessories

This Accessory catalog guides you through the Grundfos-approved accessories available for wastewater installations. By using Grundfos-approved accessories, you always get the highest standards of build quality and functionality. Installation equipment developed by Grundfos is engineered with robustness, reliability and compatibility as the highest priority.

Furthermore, design and engineering manuals for wastewater installations and applications are available from [grundfos.com](http://grundfos.com)

If you cannot find what you are looking for in this accessory catalog, please contact your local Grundfos office for further support.



# Auto coupling Installation

● Guide rails are not shipped from Grundfos central distribution center. Please contact your local Grundfos office for support.

● **Adaptor claws product numbers contain:**

- Adaptor claw
- Gasket
- Fastner set

● **Auto coupling sets contain:**

Set < ANSI 10":

- Base unit
- Guide claw
- Upper guide rail holder
- Gasket
- Fastner set

Set = ANSI 10" and above:

- Base unit
- Upper guide rail holder
- Gasket
- Fastner set

For pumps with outlet flanges size ANSI 10" and above, the guide claw is fitted to the pump from the factory.

● Consider using intermediate guide rail holders to ensure the stability. Upper guide rail holders are included in the auto-coupling set.

**It is recommended to use intermediate guide rail holders if:**

Guide rail ≤ 2" dia. exceeds 4 meters (13 ft) in length.  
 Guide rail ≥ 3" dia. exceeds 6 meters (20 ft) in length.

Upper guide rail holders are included in the auto-coupling set.



Adaptor claws	SE/SL -> Xylem Flygt
Pump / stand Adaption	Cast iron
ANSI 2½"	<a href="#">97900341</a>
ANSI 3"	<a href="#">97900652</a>
ANSI 3" / 4"	<a href="#">97903560</a>
ANSI 4"	97905213
ANSI 4" / 6"	<a href="#">97903622</a>
ANSI 6" - 2" guide rails	<a href="#">98061131</a>
ANSI 6" - 3" guide rails	<a href="#">96003403</a>
ANSI 8"	<a href="#">98377111</a>
ANSI 10"	<a href="#">98377112</a>
ANSI 12"	<a href="#">98419130</a>

Grundfos installation Suction/Discharge	Grundfos Auto coupling set			Guide rail holders	
	Cast iron	Stainless steel (EN 1.4408)	Duplex stainless steel (EN 1.4517)	Guide rail size	Intermediate holder Stainless steel (EN 1.4408)
ANSI 1½"/1½" NPT	<a href="#">98257507</a>			1"	<a href="#">96825111</a>
ANSI 2"/2" NPT	<a href="#">98245790</a>			1"	<a href="#">96825111</a>
ANSI 2½"	<a href="#">97626234</a>	<a href="#">98166056</a>	<a href="#">98166085</a>	1½"	<a href="#">96825119</a>
ANSI 2½"/3"	<a href="#">97626237</a>			1½"	<a href="#">96825119</a>
ANSI 3"	<a href="#">97626236</a>	<a href="#">98166057</a>	<a href="#">98166086</a>	1½"	<a href="#">96825142</a>
ANSI 3"/4"	<a href="#">97626239</a>			1½"	<a href="#">96825142</a>
ANSI 4"	<a href="#">97626238</a>	<a href="#">98166059</a>	<a href="#">98166087</a>	2"	<a href="#">96825161</a>
ANSI 4"/6"	<a href="#">97626241</a>			2"	<a href="#">96825161</a>
ANSI 5"/6"	<a href="#">97626242</a>	98166077	<a href="#">98166092</a>	3"	<a href="#">96829331</a>
ANSI 6" (SE/SL)	<a href="#">97626240</a>	<a href="#">98166073</a>	<a href="#">98166089</a>	2"	<a href="#">96887674</a>
ANSI 6" (S-range)	<a href="#">97703094</a>	<a href="#">98166076</a>	<a href="#">98166091</a>	3"	<a href="#">96887674</a>
ANSI 8"	<a href="#">97506541</a>			3"	<a href="#">97918997</a>
ANSI 10"	<a href="#">97510048</a>			3"	<a href="#">97918997</a>
ANSI 12"	<a href="#">97510049</a>			3"	<a href="#">97918997</a>
ANSI 20"	<a href="#">97510050</a>			3"	<a href="#">97918997</a>
ANSI 24"	<a href="#">97510081</a>			3"	<a href="#">97918997</a>

# Transportable stand

**Set contains:**

- Ring stand
- Bend w. hose connection
- O-ring
- Fastner set



**Set contains:**

- Ring stand
- Bend w. thread
- O-ring
- Fastner set

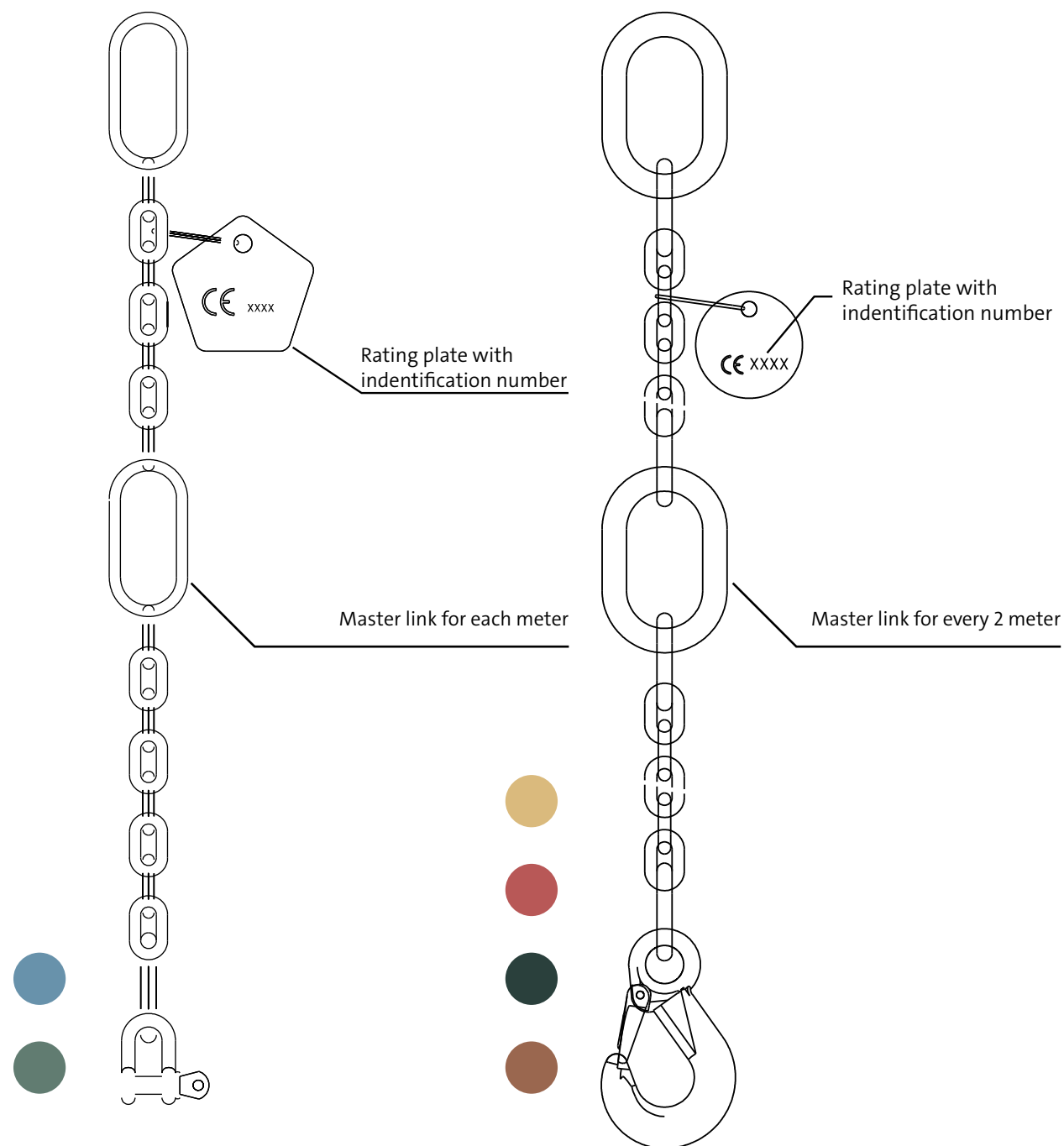


**Note:** Grundfos does not recommend using ring stands for pumps above 11 kW/15 hp.

Grundfos pump Suction/discharge	Hose connection			Thread connection	
	Cast iron	Galvanized	"Stainless (EN 1.4404)"	Cast iron	Galvanized
ANSI 2½" - 2½"	97632115			97632119	
ANSI 2½" - 3"	97632165			97632166	
ANSI 3" - 2½"	97632219			97632226	
ANSI 3" - 3"	97632227			97632228	
ANSI 3" - 4"	97632281			97632283	
ANSI 4" - 3"	<a href="#">97632229</a>			<a href="#">97632241</a>	
ANSI 4" - 4"	<a href="#">97632278</a>			<a href="#">97632280</a>	
ANSI 6" - 3"		97683543			
ANSI 6" - 4"		97632370			97632371
ANSI 5" - 6"*		97683544			
ANSI 6" - 6"		<a href="#">97632372</a>			<a href="#">97632373</a>

\* (5" - 6") = Fits pump discharge 5" and hose size 6"

# Lifting equipment



For safety reasons, Grundfos recommends the use of certified lifting equipment only.

Certified lifting weight	WWL = 320 kg (705 lbs)		WWL = 500 kg (1,102 lbs)	
	Hot galvanised	EN1.4571/AISI316Ti	Hot galvanised	EN1.4571/AISI316Ti
2 m (6.5 ft)		<a href="#">98989662</a>		<a href="#">98538174</a>
3 m (10 ft)		<a href="#">98989664</a>		<a href="#">98538175</a>
4 m (13 ft)		<a href="#">98989666</a>		<a href="#">98538176</a>
6 m (20 ft)		<a href="#">98989668</a>		<a href="#">98538177</a>
8 m (26 ft)		<a href="#">98989670</a>		<a href="#">98538178</a>
10 m (33 ft)		<a href="#">98989672</a>		<a href="#">98538179</a>

Certified lifting weight	WWL = 800 kg (1,764 lbs)		WWL = 2,000 kg (4,409 lbs)	
	Hot galvanised	EN1.4571/AISI316Ti	Hot galvanised	EN1.4571/AISI316Ti
2 m (6.5 ft)	<a href="#">98425759</a>	<a href="#">98425796</a>		
4 m (13 ft)	<a href="#">98425760</a>	<a href="#">98425797</a>	<a href="#">98425784</a>	<a href="#">98425801</a>
6 m (20 ft)	<a href="#">98425781</a>	<a href="#">98425798</a>	<a href="#">98425785</a>	<a href="#">98425802</a>
8 m (26 ft)	<a href="#">98425782</a>	<a href="#">98425799</a>	<a href="#">98425786</a>	<a href="#">98425803</a>
10 m (33 ft)	<a href="#">98425783</a>	<a href="#">98425800</a>	<a href="#">98425787</a>	<a href="#">98425804</a>

Certified lifting weight	WWL = 3,200 kg (7,055 lbs)		WWL = 8,000 kg (17,637 lbs)	
	Hot galvanised	EN1.4571/AISI316Ti	Hot galvanised	EN1.4404/AISI316L
4 m (13 ft)	<a href="#">98425788</a>	<a href="#">98425805</a>	<a href="#">98425792</a>	<a href="#">98425809</a>
6 m (20 ft)	<a href="#">98425789</a>	<a href="#">98425806</a>	<a href="#">98425793</a>	<a href="#">98425810</a>
8 m (26 ft)	<a href="#">98425790</a>	<a href="#">98425807</a>	<a href="#">98425794</a>	<a href="#">98425811</a>
10 m (33 ft)	<a href="#">98425791</a>	<a href="#">98425808</a>	<a href="#">98425795</a>	<a href="#">98425812</a>

# Vertical stands for dry-installed pumps

**Set contains:**

- Vertical stand with bend welded on
- Gaskets
- Fastner set
- Anchor set



**Set contains:**

- Vertical stand
- 90 Bend
- Gaskets
- Fastner set
- Anchor set



**Set contains:**

- Vertical stand
- Gaskets
- Fastner set



Grundfos Pump suction/Bend flange	Vertical stand w. bend	
	Stainless (EN1.4404)	Stainless (EN1.4539)
ANSI 2½"	98420446	98471637
ANSI 3"	98420447	98471638
ANSI 3" - 4"	98420450	98471653
ANSI 4"	98420448	98471639
ANSI 4" - 6"	98420451	98471657
ANSI 6"	98420449	98471649
ANSI 6" - 8"	98420452	98471661

Grundfos Pump suction/Bend flange	Vertical stand with adapter flange seal and screws
	Stainless (EN1.4404)
4"	92553597
6"	92553598
8"	92553599
10"	92553620
12"	92630134



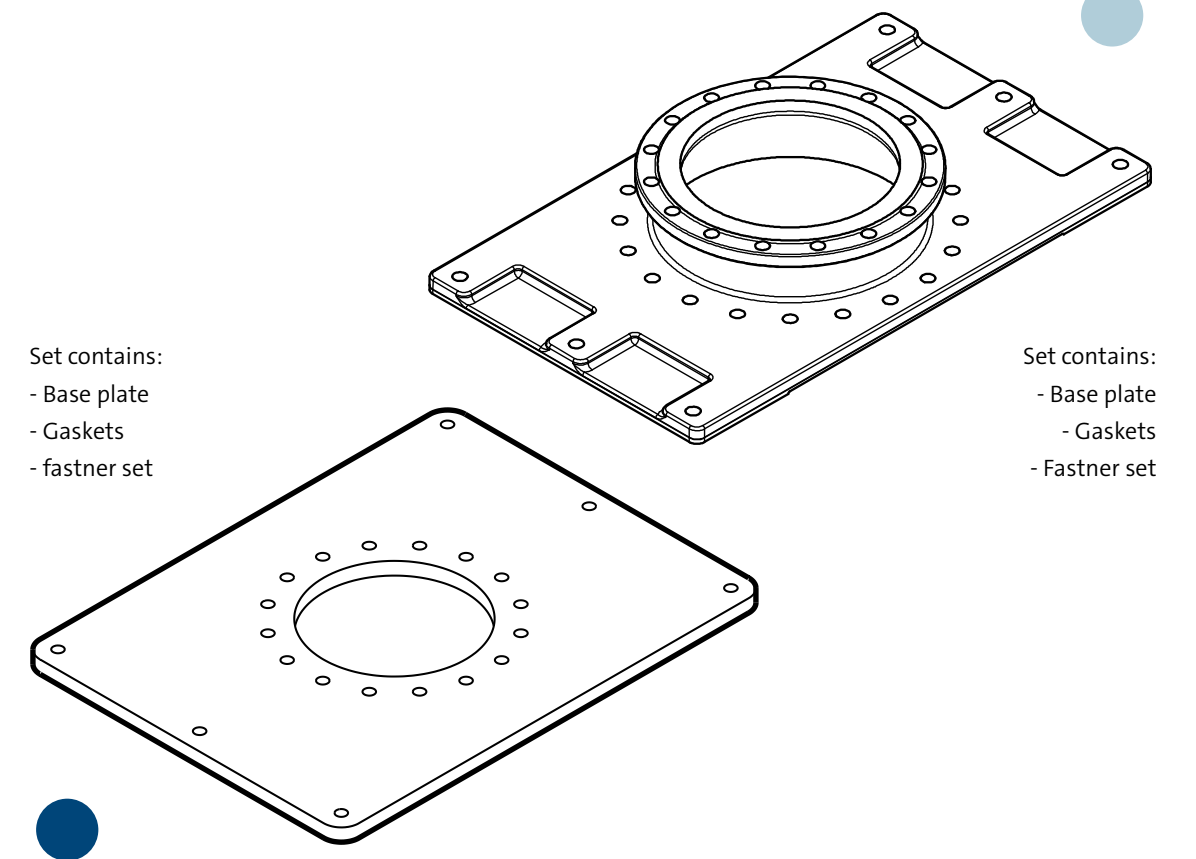
# Base plates



## DESIGN RECOMMENDATIONS FOR CONCRETE FOUNDATION

To ensure optimal performance, please refer to the 'Wastewater engineering manual 2,' section 3.4.2 Foundation for vertical submersible dry-pit sewage pumps, available from:

<https://www.grundfos.com/solutions/learn/research-and-insights/get-the-wastewater-engineering-manual-2-for-large-pumping-stations>



Grundfos pump	Base plate for dry vertical installation		
	Standard Steelplate version	For Fr 72-74	For Fr 78
ANSI 10"	<a href="#">96308240</a>		
ANSI 12"	<a href="#">96308241</a>		
ANSI 16"		<a href="#">96256023</a>	
ANSI 20"	<a href="#">96308245</a>	96256024	97500283
ANSI 24"	<a href="#">96256025</a>		
ANSI 32"			97500287
	<b>Expanding cast iron version</b>		
ANSI 16"*	<a href="#">96308244</a>		

\*Expanding pipe connection 20" (S-range fr. 70 only)

For suction Bends, please see page 19

# Horizontal stand

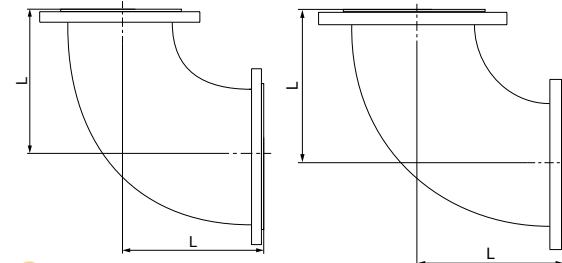
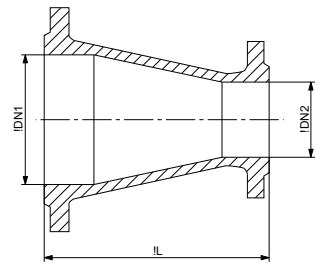


Grundfos pump	Horizontal stand for SE/SL 12-42 Hp	S-range up to frame 78	
Suction flange	Epoxy-coated steel stand	Coated steel	Stainless/special
ANSI 4"	99867046	Included in H version	On request
ANSI 6"	99867050	Included in H version	On request
ANSI 8"	99867461	Included in H version	On request
ANSI 10"	99867462	Included in H version	On request
ANSI 12"	99867474	Included in H version	On request
ANSI 16"		Included in H version	On request
ANSI 20"		Included in H version	On request
ANSI 24"		Included in H version	On request
ANSI 32"		Included in H version	On request

All sets contain fastner set and gaskets.



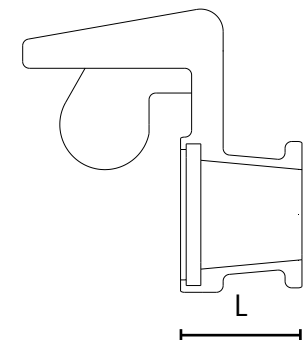
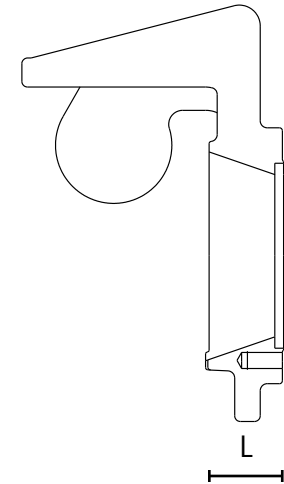
# Elbow kits and adapters



Description	Product no.
4" QL to 4" EL Kit	97870264
4" QL to 6" EL Kit	97858295
2.5" SL/SLV to 3" QL Kit	98159126
3" SL/SLV to 3" QL Kit	98055239
3" SL/SLV to 4" QL Kit	98159124
4" SL/SLV to 4" QL Kit	98055188
3" SL/SLV to 4" EL Kit	97980137
4" SL/SLV to 4" EL Kit	98055186
4" SL/SLV to 6" EL Kit	98159096
6" SL/SLV to 6" EL Kit	98055225

Description	Product no.
4 x 4 SR X Long Radius (LR) 3"	92654455
4 x 4 SR 3.88"	92663125
4 x 4 Long Radius (LR) NONE	92663146
4 x 6 SR X Long Radius (LR) 3"	92663148
6 x 6 SR X Long Radius (LR) 3"	99703473
6 x 6 SR 4"X6"	92663152
6 x 6 Long Radius (LR) 5"	92663151
6 x 8 SR X Long Radius (LR) 4" x 6"	92663156
8 x 8 SR X Long Radius (LR) 5"	92663170
8 x 8 Long Radius (LR) 6"	92663173
8 x 10 SR X Long Radius (LR) 5"	92663176
8 x 10 Long Radius (LR) 8"	92666156
8 x 12 Long Radius (LR) 8"	92663178
10 x 10 SR X Long Radius (LR) 5"	92663180
10 x 10 Long Radius (LR) 8"	98132070
10 x 12 SR X Long Radius (LR) 5"	92663185
10 x 12 Long Radius (LR) 10"	92666158
12 x 12 SR X Long Radius (LR) 5"	92663187

Description	Product no.
Hydromatic/Myers MTM Adapter kit, SL, 3"	98708358
Hydromatic/Myers MTM Adapter kit, SL, 4"	98705922
Hydromatic/Myers MTM Adapter kit, SL, 6"	98708351
PACO (QDSC only) Adapter kit, SL, 6"	98709605
Barnes Adapter kit, SL, 3"	98772465
Barnes Adapter kit, SL, 4"	98726728
Flygt Lift Bracket Adaptor 3"	<a href="#">96105762</a>
Flygt Lift Bracket Adaptor 3"outlet/4"inlet	<a href="#">96105793</a>
Flygt Lift Bracket Adaptor 4"	<a href="#">96105763</a>
Flygt Lift Bracket Adaptor 5"outlet/4"inlet	<a href="#">96105796</a>
Flygt Lift Bracket Adaptor 5"outlet/6"inlet	<a href="#">96105764</a>
Xylem Flygt adaptor 2 1/2"	<a href="#">97900341</a>
Xylem Flygt adaptor 3"/3" (not for 3057/3067)	<a href="#">97900652</a>
Xylem Flygt adaptor 3"/4"	<a href="#">97903560</a>
Xylem Flygt adaptor 4"/4"	97905213
Xylem Flygt adaptor 4"/6"	<a href="#">97903622</a>
Xylem Flygt adaptor 5"/6"	99305039
Xylem Flygt adaptor 6"/6" for 2" rails (not for 3231)	<a href="#">98061131</a>
Xylem Flygt adaptor 6"/6" for 3" rails (not for 3231)	<a href="#">96003403</a>
Xylem Flygt adaptor 8" for 3" rails (not for 3231)	<a href="#">98377111</a>
Xylem Flygt adaptor 10"	<a href="#">98377112</a>
Xylem Flygt adaptor 12"	<a href="#">98419130</a>
Xylem Flygt grommet Adaptor 3"/3"	92507512
Xylem Flygt grommet Adaptor 3"/4"	92507513
Xylem Flygt grommet Adaptor 4"/4"	97905213
Xylem Flygt grommet Adaptor 6"/6" for 2" rails	<a href="#">98061131</a>



All guide claw set contain fasten set and gasket



# Grundfos LC level controllers



**LC 231**  
A compact solution complete with certified motor protection

**EASY TO SET-UP, CONFIGURE AND CONNECT FOR SMART LEVEL CONTROL OF YOUR WASTEWATER, BUILDING OR TANK APPLICATION**

Designed for installations with one or two pumps, the Grundfos LC level controller is ideal for emptying and filling related to small wastewater transport, commercial buildings and tank-filling applications.

The controller is equipped with predefined settings to fit these applications for an easier and quicker start-up in the specific application. The controller can support up to five control levels for both analogue level transmitter or float switch operation.

Start and stop signals are used for normal operation, and the optional dry-run signal will protect the pumps from dry running. The controller can run in two modes: EMPTYING or FILLING. For emptying applications, if the tank or pit is completely filled, the controller will run all pumps to empty. For filling applications, the opposite applies; if the tank is full, the pumps will not run.

Grundfos LC level controllers are available in two variants:  
LC 231 – a compact solution complete with certified motor protection  
LC 241 – a cabinet solution offering modularity and customization.



**LC 241**  
A cabinet solution offering modularity and customisation

**UNIQUELY CONFIGURABLE INPUT/OUTPUT TERMINALS AND HIGHLY INTUITIVE USER INTERFACE**

The controller is equipped with Grundfos configurable input/output terminals, giving full flexibility for all applications. Daily control, supervision and commissioning is straightforward with the intuitive and easy-to-use user interface. This saves you valuable time when getting started, and in your daily interaction with pumps and the controller.

The controller integrates seamlessly into the Grundfos range of communication modules, ensuring an easy fit into any supervisory system such as SCADA or Grundfos CLOUD Solution.

Find the LC controller for your need on [Grundfos.com](http://Grundfos.com)

# Grundfos Dedicated controller



**CU 362 - Dedicated Controls.**  
Advanced wastewater control made easy, solving complex challenges

## FULL CONTROL FROM ANYWHERE.

Dedicated Controls is an intelligent monitoring and control solution developed specifically for network pumping stations and commercial buildings.

They are designed to control up to six pumps in sewage pumping stations. This makes them an excellent choice for mains systems, commercial buildings, and similar applications.

**Dedicated Controls at a glance**  
With their integrated control and communication options, the Dedicated Controls solutions expand the scope of the Grundfos controls range. Here are some of the main features:

**ENERGY REDUCING**

To ensure the lowest possible specific energy consumption (kwh/m<sup>3</sup>), Dedicated Controls continuously learns and adapts to duty conditions in the specific pumping system. The controller immediately adapts pump speed in response to data from the frequency drive (Grundfos CUE) and a flowmeter. Specific energy consumption can also be provided by the electronic motor protection (Grundfos MP 204). This gives a continuous overview of pumping efficiency, enabling timely service and maintenance of pumps and mains.

**ANTI-BLOCKING**

The “Flush and reverse” function prevents clogging caused by the increasing amounts of the fibrous component and solids in sewage today. The anti-blocking function acts on any abnormal events to stop pumps from blocking, avoiding costly downtime.

**FLEXIBILITY FOR LOCAL ADAPTION**

Dedicated Controls has a number of free input/outputs for extra sensor inputs (e.g. temperature sensors) or extra relay outputs (e.g. valve operation). Set-up is highly intuitive via the large display or via Grundfos pc tool, and no extra program-ming is required.

Find the DC controller for your need on [Grundfos.com](http://Grundfos.com)



**Grundfos Holding A/S**  
Poul Due Jensens Vej 7  
DK-8850 Bjerringbro  
Tel: +45 87 50 14 00  
[www.grundfos.com](http://www.grundfos.com)

**GRUNDFOS** 