

SL1, SLV pumps

Generation C

1.5 to 15 hp (1.1 to 11 kW)

60 Hz



1. Introduction	3	11. Dimensions	90
Introduction	3	Auto-coupling installation	90
Applications	3	Free standing installation (without ring stand)	92
Grundfos blueflux®	4	Free standing installation (with ring stand)	94
smartdesign	4		
2. Performance range	5	12. Dimensions	96
Performance range for SL1, SLV pumps	5	Auto-coupling installation	96
		Free standing installation (without ring stand)	98
		Free standing installation (with ring stand)	100
3. Identification	6	13. Accessories	102
Type key	6	Installation systems	102
Nameplate	6	Other accessories	103
		Level controllers	104
4. Selection of product	7	14. Grundfos Product Center	110
Ordering a pump	7	Grundfos GO	111
5. Variants	8		
List of variants	8		
6. Construction	9		
SL1	9		
SLV	13		
Material specification, SL1 and SLV standard	17		
Material specification, SLV Q variants	18		
7. Product description	19		
Features	19		
Operating conditions	21		
Motor range	22		
Pump controllers	22		
Variable-speed operation	22		
SL 61 R voltage variant	23		
Wiring diagrams	24		
8. Product range	26		
SL1 pump range	26		
SLV pump range	28		
9. Curve charts and technical data	33		
How to read the curve charts	34		
Curve conditions	35		
Performance tests	35		
Certificates	35		
Witness test	35		
10. Performance curves and technical data	36		
SL1.20.A25	36		
SL1.20.A30	39		
SL1.30.A30	42		
SL1.30.A40	48		
SL1.40.A40	54		
SL1.40.A60	57		
SLV.25.A25	60		
SLV.25.A30	63		
SLV.30.A30	66		
SLV.30.A40	76		
SLV.40.A40	86		

1. Introduction

Introduction

This data booklet deals with Grundfos submersible wastewater and sewage pumps, types SL1 and SLV.

Two types of pumps are available:

SL1 pumps with S-tube® impeller

- SLV pumps with SuperVortex (free-flow) impeller.



TMD04 3597 4708 - TMD04 3598 4708

Fig. 1 SL1 (S-tube®) and SLV (SuperVortex) pumps



The S-tube® impeller is the only impeller available in the wastewater market that compromises neither efficiency nor free passage through the pump.

The pumps are SuperVortex or S-tube® impeller pumps specifically designed for pumping sewage and wastewater in a wide range of municipal, private and industrial applications.

The pumps are made of resistant materials, such as cast iron and stainless steel. These materials ensure long and reliable operation.

The pumps are fitted with motors from 1.5 hp up to and including 15 hp (1.1 to 11 kW). The motors are either 2- or 4-pole motors, depending on the motor size. The free passage in the pumps is 2-4" (50-100 mm)

The pumps are available for:

- submerged installation on auto-coupling system
- submerged installation, free-standing.

Applications

Typical applications are transfer of liquids, such as:

- municipal wastewater
- wastewater with a high content of fibers (SuperVortex impeller)
- drainage and surface water
- domestic wastewater
- industrial wastewater
- process and cooling water.

The pumps are ideal for pumping the above liquids from for instance:

- municipal network pumping stations
- inlet pumping stations in wastewater treatment plants
- primary clarification in wastewater treatment plants
- secondary clarification in wastewater treatment plants
- stormwater pumping stations
- public buildings
- residential buildings
- factories/industry.

Grundfos blueflux®



Grundfos blueflux® guarantees the highest motor efficiency from Grundfos. Every aspect of the technology driving a Grundfos blueflux® motor has been developed to meet the actual needs of the application for which the pump system or solution is installed - and always with an emphasis on reliability and efficiency.

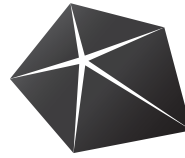
A pump system or solution with a Grundfos blueflux® motor has a considerably higher total efficiency than comparable solutions and reduces life cycle costs substantially. The combination of motor technology, advanced pump design and speed control ensures superior system control, reduced day-to-day service costs and lower environmental impact.

Grundfos blueflux® represents a range of skills and innovative processes that Grundfos brings to motor technology development. Grundfos was instrumental in the drafting and passing of the EuP Directive, setting the ecodesign requirements for electric motors in the European Union.

As a technological leader within high-efficiency motors, Grundfos was invited to help with the technical aspects of the legislation. Grundfos was able to create political awareness of the huge savings potential of variable speed motors and, at a later stage, influence the decision-makers to include variable-frequency drives in the new legislation. As a consequence, Europe's annual power consumption will be reduced by 5 % by 2020 - about ten times more than originally planned before Grundfos intervened.

The Grundfos blueflux® label guarantees that the motor technology used is ahead of current market standards and either meets or exceeds legislative requirements for motor efficiency, where these apply.

smartdesign



smartdesign

smartdesign describes the functional design of our products that combines elegant appearance with smart features, created with customer needs in mind. smartdesign does not only look good; the design also makes installation, operation and maintenance of the product easier and more user-friendly.

The smartdesign features of our SL1 and SLV pumps include:

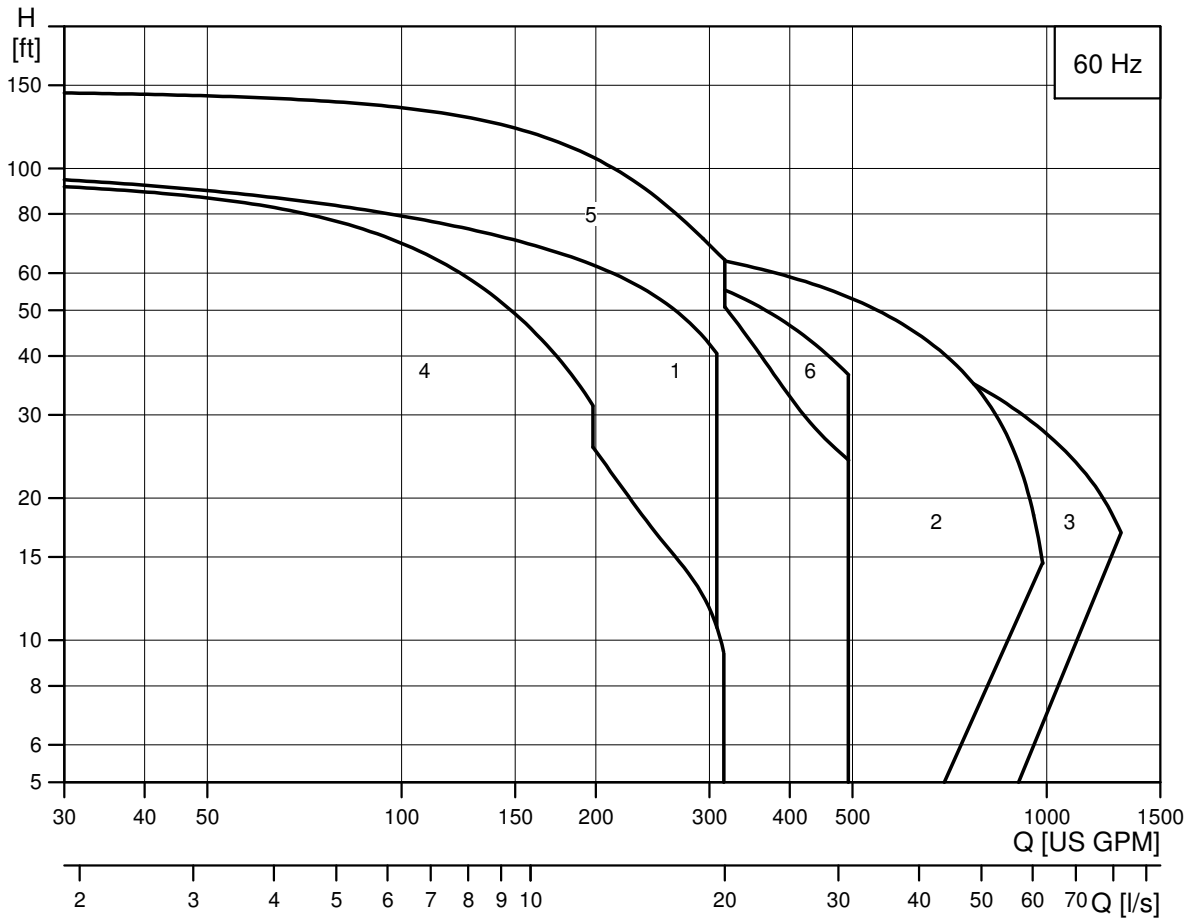
- moisture-proof cable plug connection made of corrosion-resistant stainless steel with conductors embedded in polyurethane sealant
- stainless steel clamp connection between motor housing and pump housing for easy service.
- power cable incorporating wires for thermal sensors in the motor windings
- no extra cable required for sensors in pumps with sensors
- monitoring of operating conditions for pumps with sensors
- moisture detector for continuous monitoring of motor enclosure and automatic cut-out in case of leakage
- heavy-duty bearings greased for life
- built for variable-frequency operation
- smooth pump surface prevents dirt and impurities from sticking to the pump
- self-cleaning S-tube® impeller with a long vane reducing the risk of jamming or clogging, or Super-Vortex impeller with high pumping efficiency and less downtime
- explosion-proof motors for potentially explosive environments (FM-approved pumps)
- motor in insulation class H (356 °F (180 °C)), enclosure class IP68 with one thermal sensor in each phase
- temperature rise class A
- service-friendly design:
 - clamp connection between motor and pump housing
 - double mechanical cartridge shaft seal
 - cable connection to motor via plug.
- motor built of highly efficient components, offering lower motor temperature and longer life.

2. Performance range

Performance range for SL1, SLV pumps

The figure below shows the performance range of SL1 and SLV sewage and wastewater pumps. It gives an overview of the various sizes and impeller types.

Note: For information about the performance range of each individual pump, see pages 36 to 89.



TM04 7578 2014

Pump type	Curve no.
SL1.20.A25.30	1
SL1.20.A25.40	
SL1.20.A25.55	
SL1.20.A30.30	
SL1.20.A30.40	
SL1.20.A30.55	2
SL1.30	
SL1.40	
	3

Pump type	Curve no.
SLV.25.A25.30	4
SLV.25.A25.40	
SLV.25.A25.55	
SLV.25.A30.30	
SLV.25.A30.40	
SLV.25.A30.55	5
SLV.30	
SLV.40	
	6

If your required duty point exceeds the performance range above, please see the Grundfos SE, SL or S range data booklets available online via Grundfos Product Center.

3. Identification

Type key

The pump can be identified by means of the type designation. The type designation is stated on the nameplate of the pump.

Example **SL1.30.A30.55.A.Ex.4.6.0D.A.Q.Z**

Code	Explanation	Designation
SL	Grundfos sewage/wastewater pump	Pump type
1	S-tube [®] impeller	Impeller type
V	SuperVortex (free-flow) impeller	
20	2" (50 mm)	Free spherical passage
25	2.5" (65 mm)	
30	3" (80 mm)	
40	4" (100 mm)	
A25	ANSI 2.5" (DN 65)	Pump outlet
A30	ANSI 3" (DN 80)	
A40	ANSI 4" (DN 100)	
A60	ANSI 6" (DN 150)	
55	Output power, P2 / 10 55 = 5.5 hp (4.0 kW)	Power [kW]
[]	Standard	Sensor version
A	Sensor version	
2	2-pole	Number of poles
4	4-pole	
[]	Non-explosion-proof pump, standard	Pump version
Ex	Explosion-proof pump	
6	60 Hz	Frequency [Hz]
0J	3 x 208 V Δ, direct-on-line starting	Voltage code and starting method
1H	3 x 460 V Δ standard, star-delta starting	
0L	3 x 575 V Δ, direct-on-line starting	
1L	3 x 575 V Δ, star-delta starting	
1R	3 x 230 V Δ / 460 V Y, direct-on-line starting	Generation
[]	1st generation	
A	2nd generation	
B	3rd generation	
[]	Complete pump in cast iron	Pump material
Q	Cast iron pump with stainless steel impeller	
[]	Pump in standard range	Customization
Z	Custom-built pump	

Note: The pump types are not available in all variants.

Nameplate

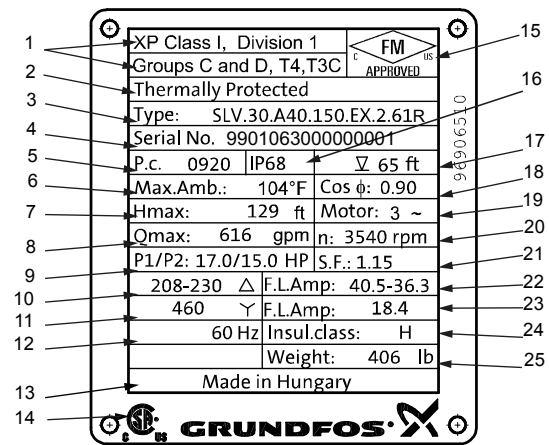


Fig. 2 Nameplate

Pos.	Description
1	Explosion protection classification
2	Thermally protected
3	Type designation
4	Serial number
5	Production code (year and week)
6	Maximum ambient temperature
7	Maximum head
8	Maximum flow rate
9	Rated input/output power
10	Rated voltage, D
11	Rated voltage, Y
12	Frequency
13	Country of production
14	CSA mark
15	FM mark
16	Enclosure class to IEC
17	Maximum installation depth
18	Power factor
19	Number of phases
20	Rated speed
21	Service factor
22	Full load current, D
23	Full load current, Y
24	Insulation class
25	Weight without cable

TM04 4187 0909

4. Selection of product

Ordering a pump

When ordering a pump, you need to take the following five aspects into consideration:

1. pump type
2. custom-built variation (option)
3. explosion-proof version
4. accessories
5. pump controller.

Pump type

Use the following table to identify the type of pump that best meets your needs. The table is for guidance only.

Description	SL1	SLV
Liquid and operation characteristics		
Dry solids content up to 3 %	X	X
Dry solids content up to 5 %		X
Relatively low content of fibres and solids	X	X
Relatively high content of fibres and solids		X
Relatively low number of operating hours	X	X
Relatively high number of operating hours	X	
Applications		
Stormwater	X	X
Groundwater	X	X
Drainage and surface water	X	X
Drainage and surface water with small impurities	X	X
Abrasive surface water	X	X
Wastewater with long fibres, e.g. from laundries	X	X
Domestic wastewater with discharge from toilets	X	X
Municipal sewage	X	X
Sewage from commercial buildings	X	X
Industrial process water with fibres/solids		X
Industrial process water with solids	X	X
Industrial process water without solids and fibres	X	

When you have selected the pump type, you can identify the specific pump that best meets your needs in [Dimensions](#) on page 96 and [Type key](#) on page 6. The list below is a detailed description of the product you get if you order the following pump:

Pump	Product no
SLV.25.A25.30.2.61H.C	98634243

- pump as specified in the type key
- 49 ft (15 m) cable
- paint: NCS 9000N black (RAL 9005), gloss code 30, thickness 100 µm
- thermal switch in stator windings
- tested according to Hydraulic Institute Centrifugal pump test ANSI/HI 11.6:2012 Grade 3B.

See [Performance curves and technical data](#) for selection of a standard pump.

Note: Product-specific data for the pump can also be found in online via Grundfos Product Center using the product number 98634243.

Custom-built variants

The pumps can be customized to meet individual requirements. Many pump features and options are available for customization, such as explosion-proof versions, various cable lengths or special materials. Variants can be seen in the table in [List of variants](#) on page 8. For requirements or designs outside not included in this table, please contact Grundfos.

Explosion-proof version

The entire range is available in explosion-proof versions.

The SL1 and SLV pumps have the following explosion protection classification: Class I, Division 1, Groups C and D, T4, T3, IP68.

Accessories

Depending on the installation type, accessories may be required. See [Installation systems](#) on page 102 for selection of the correct accessories.

Note: Ordered accessories are not fitted from factory, but need to be fitted on site.

Pump controller



Fig. 3 Grundfos Dedicated Controls

Grundfos Dedicated Controls is a control system designed for installation in either commercial buildings or network pumping stations with one to six pumps. As standard, the system comes with application-optimized software and can be configured to meet your specific pumping needs.

For further information about Grundfos Dedicated Controls, see page 22.

TM06 09/18 1214

5. Variants

List of variants

Motor

Various cable lengths	Note: When using a different cable length than the standard lengths (i.e. 33 ft and 49 ft), a new cable cross section must be calculated	33 ft (10 m)
		65 ft (20 m)
		80 ft (25 m)
		100 ft (30 m)
		130 ft (40 m)
EMC power cables	Screened power cables for variable-speed drives	33 ft (10 m)
		50 ft (15 m)
		65 ft (20 m)
		80 ft (25 m)
		100 ft (30 m)
		130 ft (40 m)

Tests

Test at specified duty on standard impeller curve		
Trimmed impeller for specified duty test*		
Additional test of entire QH curve (including report)	Duty points from pump performance curve	
Different test standard	Efficiency guaranteed by Grundfos	ANSI/HI 11.6:2012 grade 1B tolerance ANSI/HI 11.6:2012 grade 1U tolerance ANSI/HI 11.6:2012 grade 2B tolerance ANSI/HI 11.6:2012 grade 2U tolerance
Customer-specified duty point	Test according to customer-specified duty point on standard pump curve	Contact Grundfos
Vibration test (including report)	According to Grundfos factory quality standard	
String test	Contact Grundfos	
Witness test	Contact Grundfos	

Certificates

FM-approved pump report	Special Grundfos report. Contact Grundfos	
Certificate of compliance with order	According to EN10204 2.1	According to ANSI/HI 11.6:2012 grade 3B and 2 and 1
Pump certificate	According to EN10204 2.2	
Inspection certificate	According to EN10204 3.1	
Material specification report	According to EN10204 3.1B	
Material report with certificate	According to EN10204 3.2	Material supplier information
Inspection certificate, Lloyd's Register	According to EN10204 3.2	
Inspection certificate, DNV (Det Norske Veritas)	According to EN10204 3.2	
Inspection certificate, Germanischer Lloyd	According to EN10204 3.2	
Inspection certificate, American Bureau of Shipping	According to EN10204 3.2	
Inspection certificate, Bureau Veritas	According to EN10204 3.2	
Registro Italiano Navale Argenteure	According to EN10204 3.2	
Other third-party test certificates	Contact Grundfos	

Miscellaneous

Solution	Customer benefits	
FKM sealing (optional)	<ul style="list-style-type: none"> Resistant to acids Resistant to mineral oils and vegetable oils Resistant to most solvents (toluene, petrol, trichloroethylene etc.) 	Contact Grundfos
	<ul style="list-style-type: none"> Resistant to acids Resistant to most oils Resistant to most solvents etc. 	Contact Grundfos
Stainless steel SuperVortex impeller according to EN AISI 316	Increased wear resistance	Contact Grundfos
Ceramic coating of impeller and pump housing	<ul style="list-style-type: none"> Reduced wear rate of cast iron parts Increased corrosion resistance Beneficial in case of low number of operating hours 	Contact Grundfos
	Extra epoxy coating 300 µm	
Top coating (black RAL9005, red RAL 3000 and other colors)		Contact Grundfos
Special packaging		Contact Grundfos
Special nameplate		Contact Grundfos
Other variants		Contact Grundfos

* SLV impellers can be trimmed on request.

6. Construction

SL1

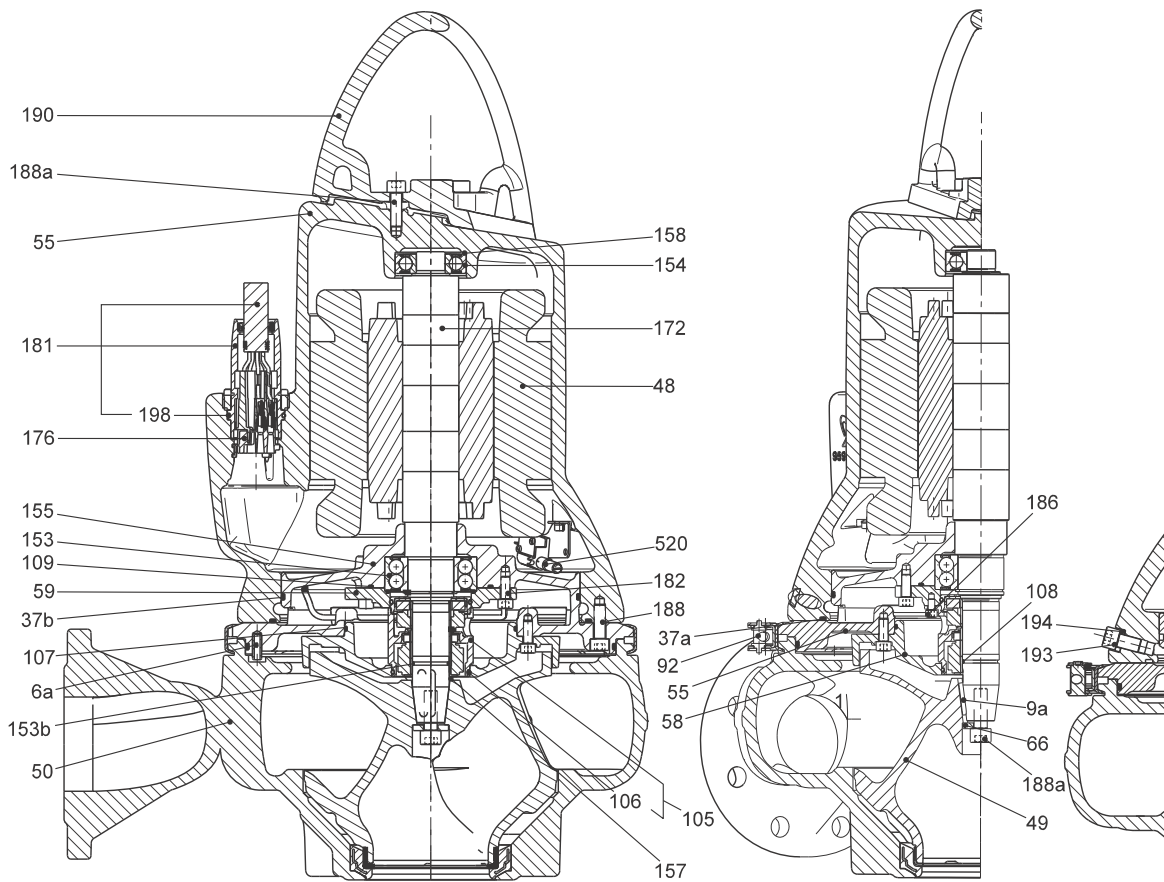


Fig. 4 Sectional drawing, SL1 pump, standard version

TM06 1071 1514

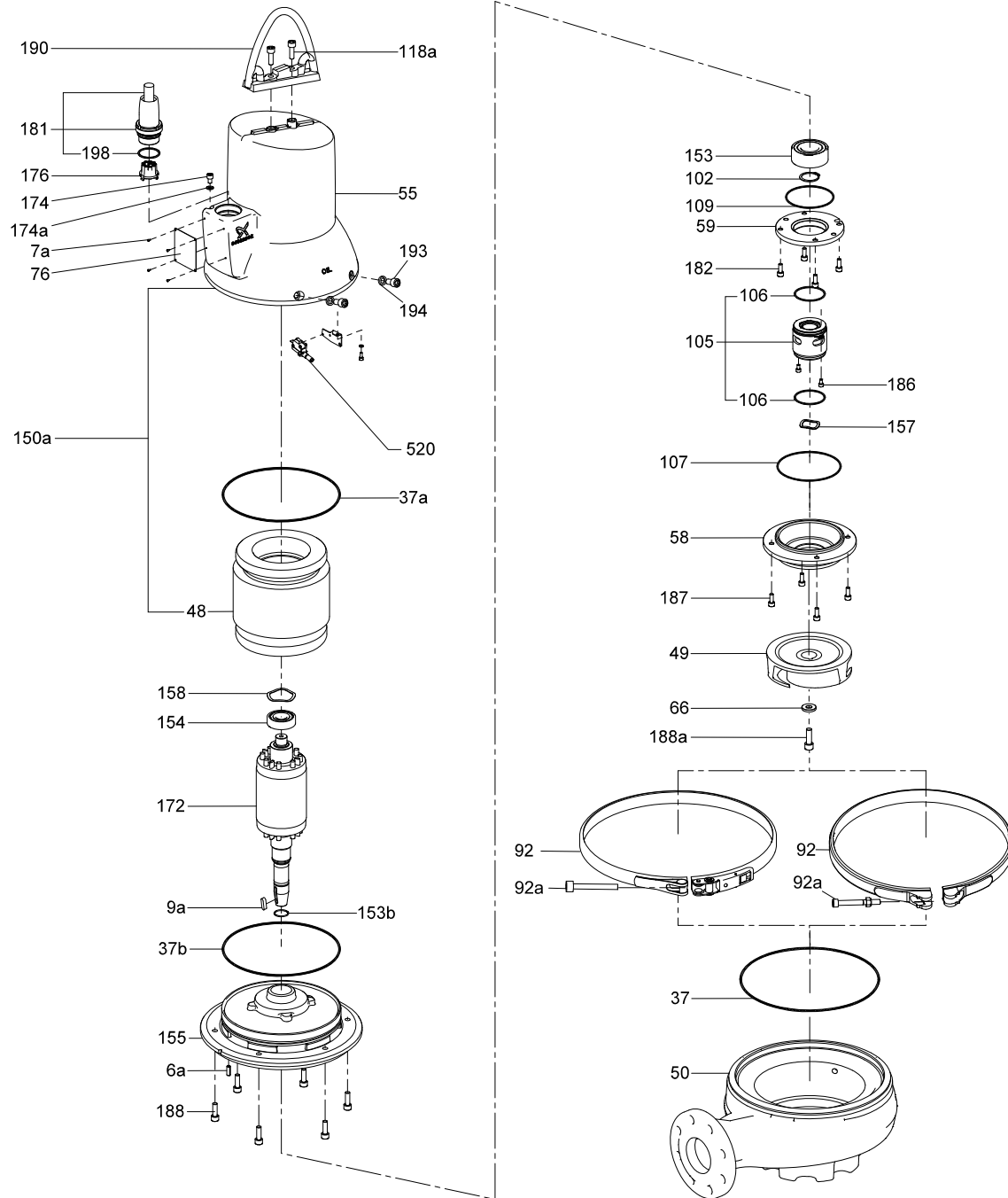


Fig. 5 Exploded view, SL1 pump, standard version

TM06 5983 0216

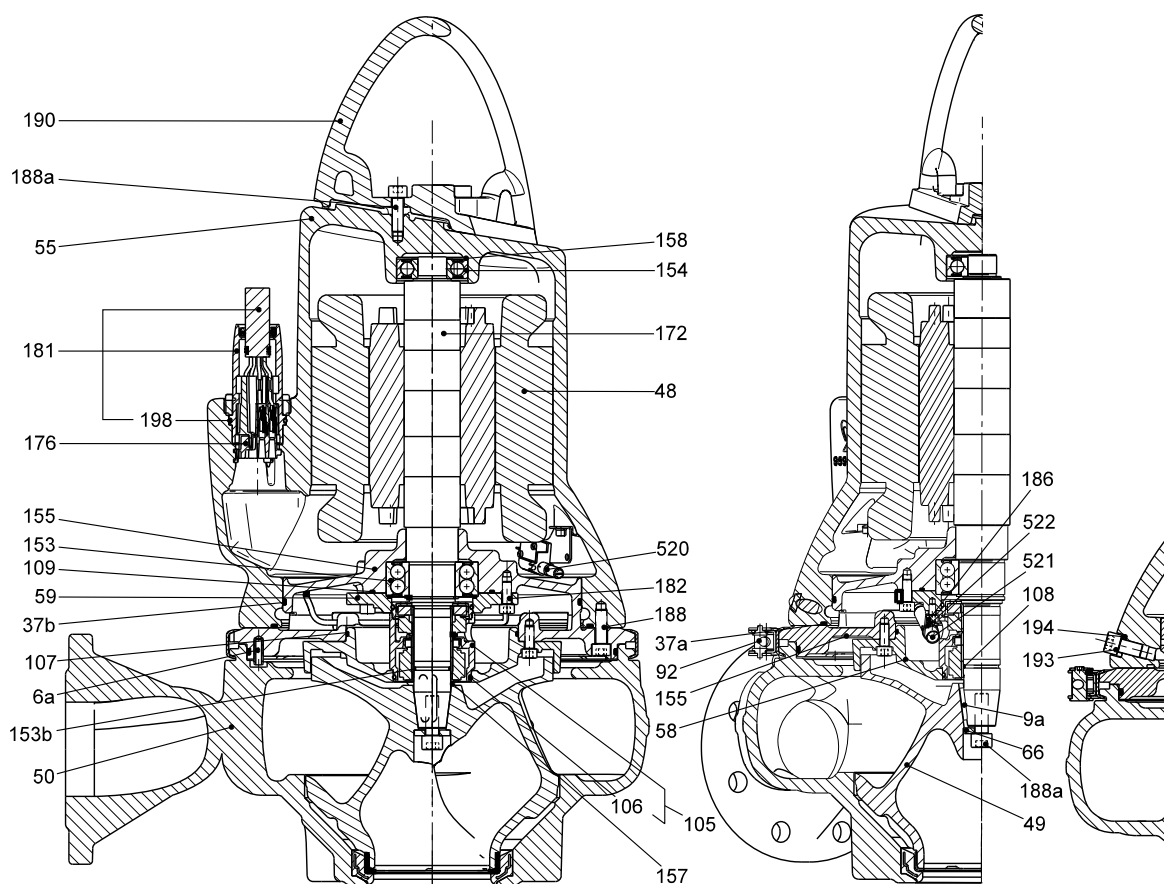


Fig. 6 Sectional drawing, SL1 pump, sensor version

TM04 2788 1009

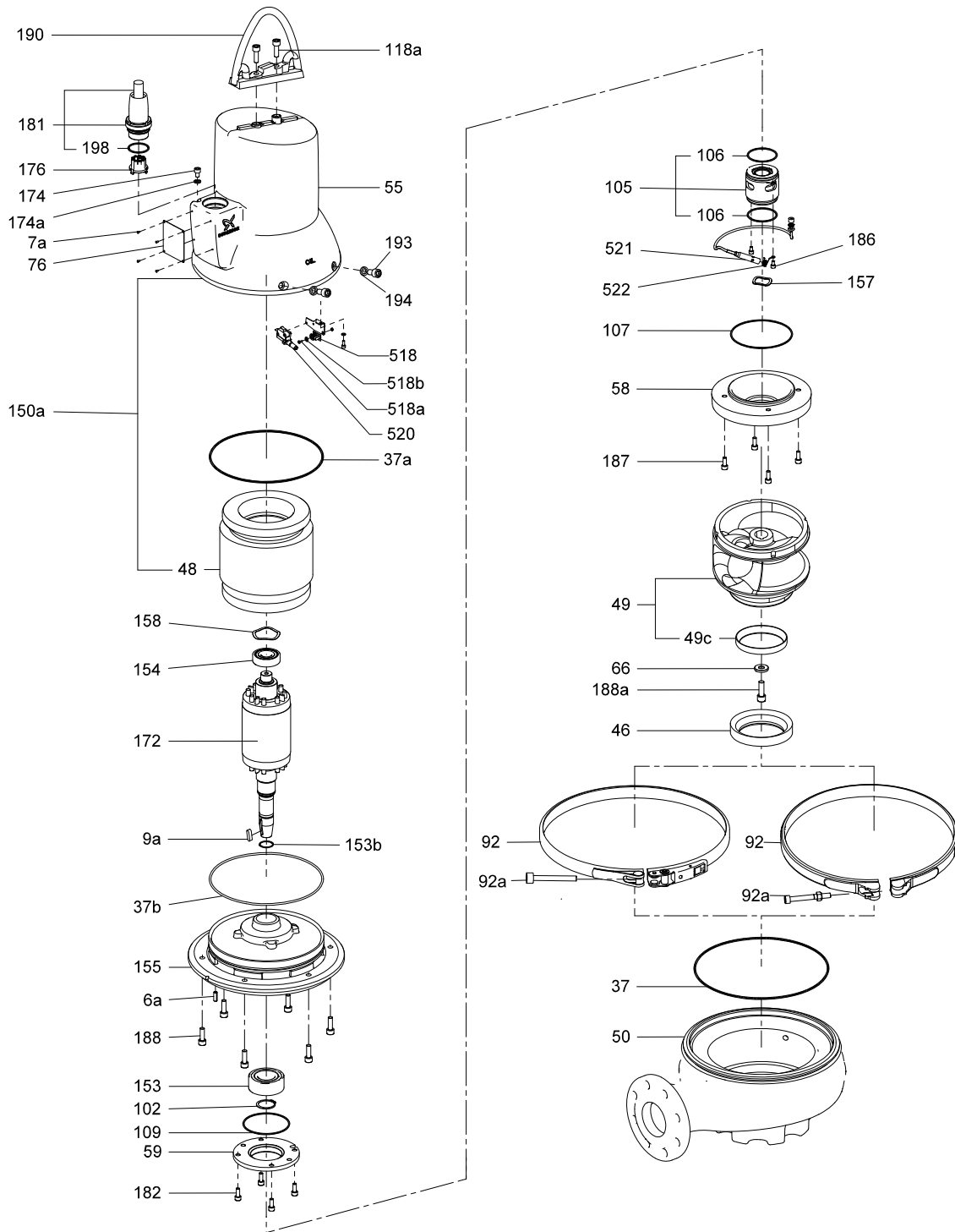


Fig. 7 Exploded view, SL1 pump, sensor version

TM06 5942 0216

SLV

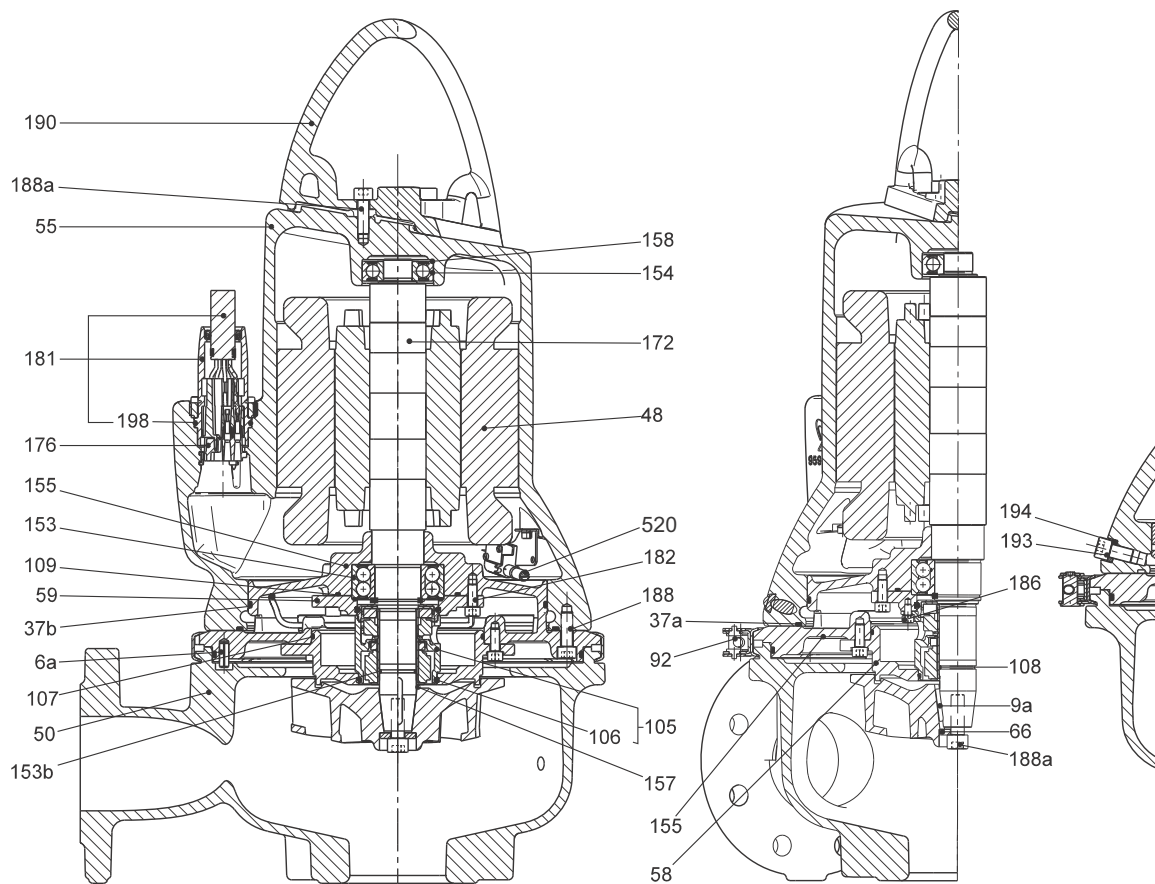


Fig. 8 Sectional drawing, SLV pump, standard version

TM06 1072 1514

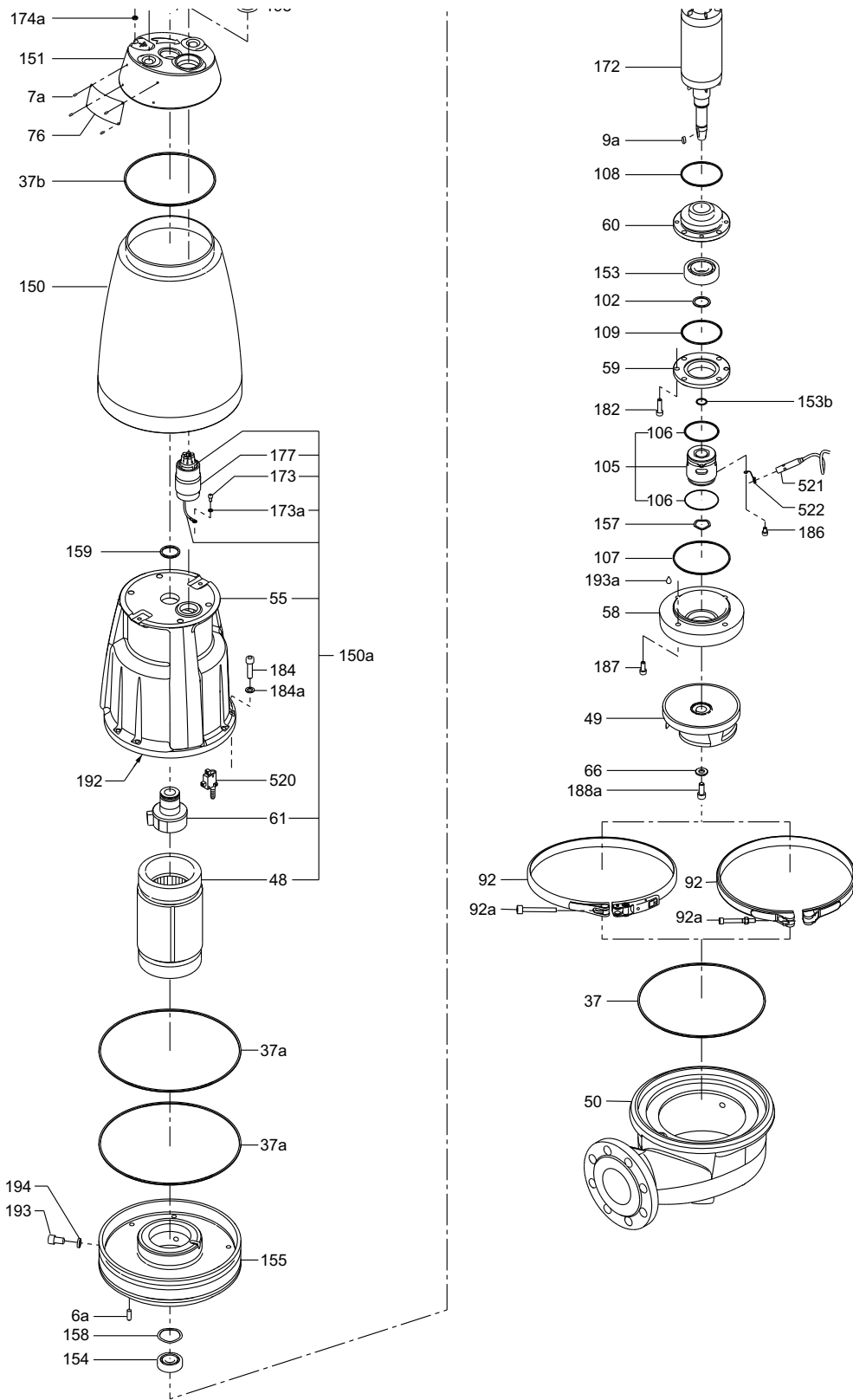


Fig. 9 Exploded view, SLV pump, standard version

TM06 5983 0216

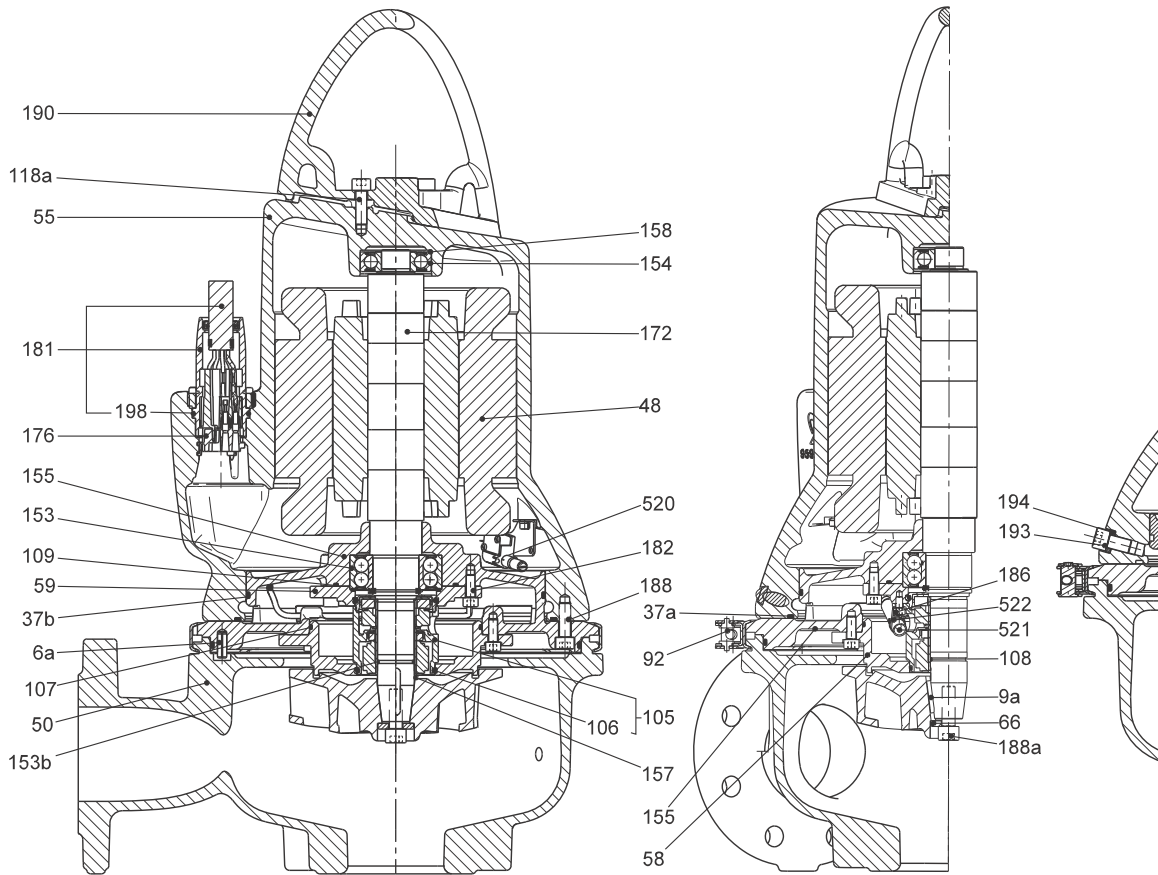


Fig. 10 Sectional drawing, SLV pump, sensor version

TM04 2786 2908

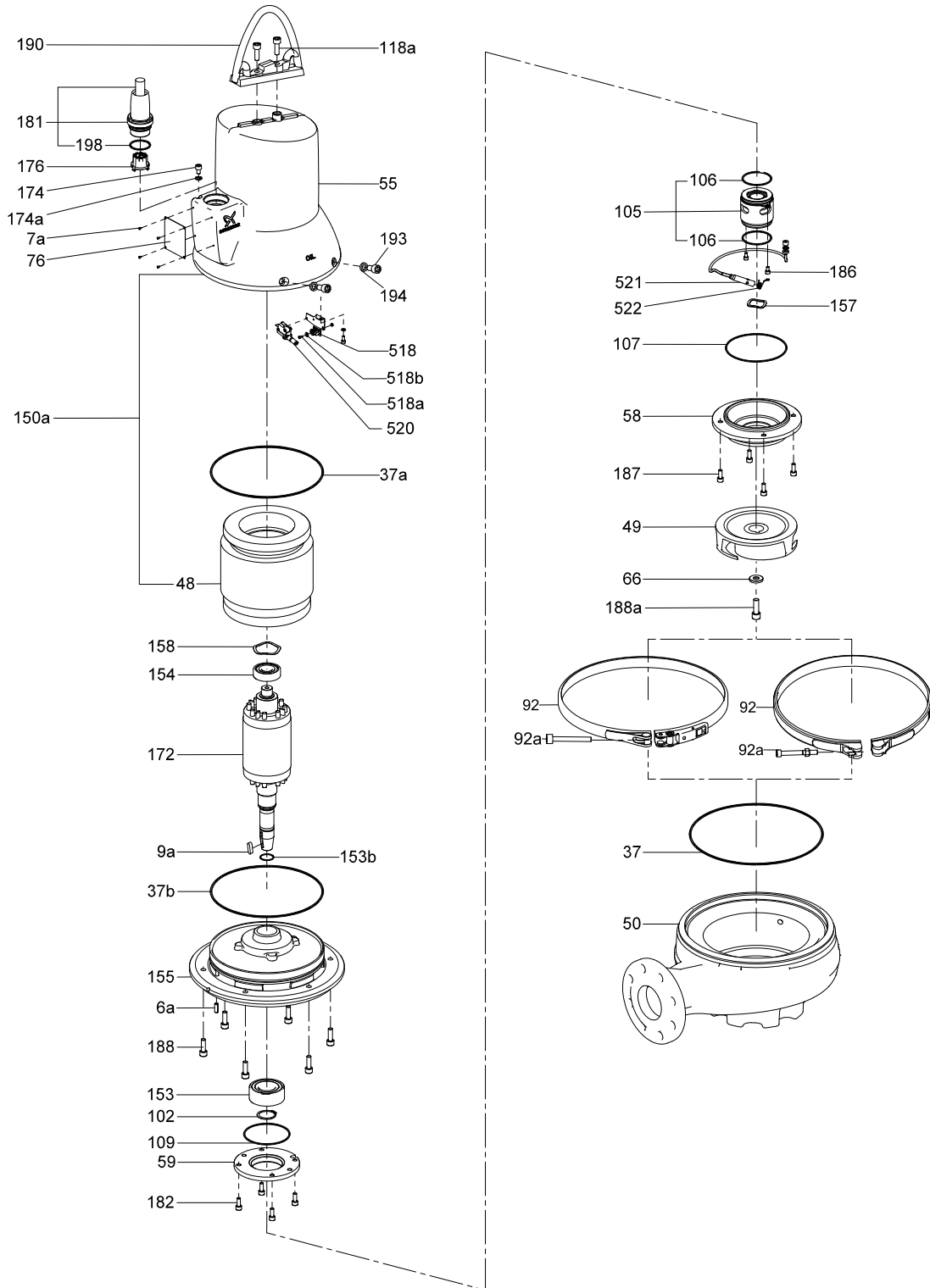


Fig. 11 Exploded view, SLV pump, sensor version

TMM06 5984 0216

Material specification, SL1 and SLV standard

Pos.	Component	Material	DIN W.-Nr. / EN standard	AISI/ASTM
6a	Tubular pin, D8 x 22 A2	Stainless steel	1.4301	304
7a	Blank rivet, 2.4 x 6 A2	Stainless steel	1.4301	304
9a	Key	Stainless steel	1.4301	304
37	O-ring	NBR rubber		
37a	O-ring	NBR rubber		
37b	O-ring	NBR rubber		
46	Seal ring, inlet	NBR rubber/stainless steel	1.4301	304
48	Stator package			
49	SuperVortex impeller	Cast iron EN-GJL-250	5.1301	ASTM A48 Class 35B
	S-tube [®] impeller	Cast iron, EN-GJL-250	5.1301	ASTM A48 Class 35B
49c	Wear ring, impeller	Stainless steel	1.4301	304
50	Pump housing	Cast iron EN-GJL-250	5.1301	ASTM A48 Class 35B
55	Stator housing	Cast iron EN-GJL-250	5.1301	ASTM A48 Class 35B
58	Cover for oil chamber	Cast iron EN-GJL-250	5.1301	ASTM A48 Class 35B
59	Bearing cover	Cast iron EN-GJL-250	5.1301	ASTM A48 Class 35B
66	Washer	Stainless steel	1.4436	316
76	Nameplate	Stainless steel	1.4401	316
92	Clamp	Stainless steel	1.4401	316
92a	Screw	Stainless steel	1.4436	316
102	Circlip			
105	Shaft seal complete (rotating part of MG1/25-G60 Q1Q1PGG, stationary part of MG1/25-G60 Q1Q1PGG; rotating part of BT-AR/25 BXPFF, stationary part of BT-AR/25 BXPFF)	Stainless steel, SiC/SiC		
		Carbon/ceramic		
106	O-ring for shaft seal	NBR rubber		
107	O-ring (cover for oil chamber)	NBR rubber		
108	O-ring for shaft seal	NBR rubber		
109	O-ring for bearing cover D-end	NBR rubber		
118a	Screw	Stainless steel	1.4436	316
150a	Stator housing complete with stator			
153	Bearing, D-end	Stainless steel		
153b	O-ring	NBR rubber		
154	Bearing, N-end	Stainless steel		
155	Oil chamber	Cast iron EN-GJL-250	5.1301	ASTM A48 Class 35B
157	Corrugated spring (bearing D-end)	Stainless steel		
158	Corrugated spring (bearing N-end)	Stainless steel		
172	Shaft with rotor	Regular iron/stainless steel	1.0570 1.4401	316
174	Earth screw, external	Stainless steel		
174a	Washer for external earth screw	Stainless steel		
176	Connector set (internal part)			
181	Cable with outer plug part	7G2.5 + 3 x 1		
182	Screw	Stainless steel	1.4436	316
186	Screw	Stainless steel	1.4436	316
187	Screw	Stainless steel	1.4436	316
188	Screw	Stainless steel	1.4436	316
188a	Screw	Stainless steel	1.4436	316
190	Lifting bracket	Stainless steel	1.4308	CF8M
193	Plug	Stainless steel	1.4436	316
194	Gasket			
198	O-ring	NBR rubber		
518	Transient barrier (only sensor versions)			
520	Moisture switch			
521	WIO sensor (only sensor versions)			
522	Bracket for WIO sensor (only sensor versions)	Stainless steel	1.4310	301

Material declaration:

Grey cast iron is manufactured according to EN 1561:1997.

Cast stainless steel is manufactured according to EN 10283:2010.

Conversion to other standards such as AISI/ASTM is normative, and products are not manufactured according to these.

Material specification, SLV Q variants

Pos.	Component	Material	DIN W.-Nr. / EN standard	AISI/ASTM
6a	Tubular pin, D8 x 22 A2	Stainless steel	1.4301	304
7a	Blank rivet, 2.4 x 6 A2	Stainless steel	1.4301	304
9a	Key	Stainless steel	1.4301	304
37	O-ring	NBR rubber		
37a	O-ring	NBR rubber		
37b	O-ring	NBR rubber		
46	Seal ring, inlet	NBR rubber/stainless steel	1.4301	304
48	Stator package			
49	SuperVortex impeller	Stainless steel	1.4408	316/351 CF8M
49c	Wear ring, impeller	Stainless steel	1.4301	304
50	Pump housing	Cast iron EN-GJL-250	5.1301	
55	Stator housing	Cast iron EN-GJL-250	5.1301	
58	Cover for oil chamber	Cast iron EN-GJL-250	5.1301	
59	Bearing cover	Cast iron EN-GJL-250	5.1301	
66	Washer	Stainless steel	1.4436	316
76	Nameplate	Stainless steel	1.4401	316
92	Clamp	Stainless steel	1.4401	316
92a	Screw	Stainless steel	1.4436	316
102	Circlip			
105	Shaft seal complete (rotating part of MG1/25-G60 Q1Q1PGG, stationary part of MG1/25-G60 Q1Q1PGG; rotating part of BT- AR/25 BXPFF, stationary part of BT-AR/25 BXPFF)	Stainless steel, SiC/SiC Carbon/ceramic		
106	O-ring for shaft seal	NBR rubber		
107	O-ring (cover for oil chamber)	NBR rubber		
108	O-ring for shaft seal	NBR rubber		
109	O-ring for bearing cover D-end	NBR rubber		
118a	Screw	Stainless steel	1.4436	316
150a	Stator housing complete with stator			
153	Bearing, D-end	Stainless steel		
153b	O-ring	NBR rubber		
154	Bearing, N-end	Stainless steel		
155	Oil chamber	Cast iron EN-GJL-250	5.1301	
157	Corrugated spring (bearing D-end)	Stainless steel		
158	Corrugated spring (bearing N-end)	Stainless steel		
172	Shaft with rotor	Regular iron/stainless steel	1.0570 1.4401	316
174	Earth screw, external	Stainless steel		
174a	Washer for external earth screw	Stainless steel		
176	Connector set (internal part)			
181	Cable with outer plug part	7G2.5 + 3 x 1		
182	Screw	Stainless steel	1.4436	316
186	Screw	Stainless steel	1.4436	316
187	Screw	Stainless steel	1.4436	316
188	Screw	Stainless steel	1.4436	316
188a	Screw	Stainless steel	1.4436	316
190	Lifting bracket	Stainless steel	1.4308	CF8
193	Plug	Stainless steel	1.4436	316
194	Gasket			
198	O-ring	NBR rubber		
518	Transient barrier (only sensor versions)			
520	Moisture switch			
521	WIO sensor (only sensor versions)			
522	Bracket for WIO sensor (only sensor versions)	Stainless steel	1.4310	301

Material declaration:

Grey cast iron is manufactured according to EN 1561:1997.

Cast stainless steel is manufactured according to EN 10283:2010.

Conversion to other standards such as AISI/ASTM is normative, and products are not manufactured according to these.

7. Product description

Features

Ball bearings

The bearings are greased for life.

Main bearings:

10 hp (7.5 kW) 4-pole, 12 hp (9.2 kW) 2-pole, 15 hp (11 kW) 2-pole:	Angular contact bearing 3209B.2RS.C3.SYN.
4 hp (3 kW) 4-pole to 10 hp (7.5 kW) 2-pole:	Angular contact bearing 3208B.2RS.C3.SYN.

Support bearings: Single-row deep-groove ball bearing.

Shaft seal



TMO5 0015 0511

Fig. 12 Double mechanical cartridge shaft seal

The shaft seal consists of two mechanical seals and separates the motor from the pumped liquid.

The shaft seal is a cartridge seal that enables easy service.

The combination of the primary and secondary seals in a cartridge results in a shorter assembly length compared to traditional shaft seals. Furthermore, this design minimizes the risk of incorrect fitting.

The primary seal is SiC/SiC and the secondary is carbon/ceramic.

Motor

The motor is a watertight, totally encapsulated motor.

- Insulation class: H (356 °F (180 °C)).
Motor insulation fulfills NEMA MG1 part 31 as regards frequency converter duty.
- Temperature rise class: A.
- Enclosure class: IP68.

For motor protection and sensors, see [Sensors](#), page 20.

Power cables

Standard cable

Cable type	Outer cable diameter [in. (mm)]	Bending radius	
		Fixed [in. (mm)]	Free [in. (mm)]
7 G AWG 16	0.523 (13.3)	1.25 (31.8)	1.875 (47.6)
4 G AWG 14 + 3 G 16 AWG	0.636 (16.2)	1.25 (31.8)	1.875 (47.6)
7 G AWG 14 + 3 G 16 AWG	0.811 (20.6)	1.5 (38.1)	2.25 (57.2)

EMC cable

Cable type [mm ²]	Outer cable diameter [in. (mm)]	Bending radius	
		Fixed	Free
4 G AWG 14 + 3 G 16 AWG screened cable	0.695 (17.7)	1.5 (38.1)	2.25 (57.2)

The standard cable length is 49 ft (15 m). Other cable lengths are available on request. See [Various cable lengths](#), page 8.

The number and dimension of cables depend on the motor size.

Cable entry

TM05 0016 0511

Fig. 13 Moisture-proof cable plug

The stainless steel plug is fastened with a union nut. The nut and O-rings provide sealing against liquid penetration.

The plug is filled with a polyamide material that is cast into the plug around the conductors of the cable to prevent moisture from penetrating into the motor via the cable core.

Surface treatment

Grundfos SL1 and SLV pumps are given the following surface treatment:

Powder painting: NCS 9000N (RAL9005 Black) gloss code 30, thickness 100 µm.

Sensors

TM05 0017 0511

Fig. 14 Analog water-in-oil sensor

As standard, the pump is equipped with thermal switches in the stator windings.

Customized analog sensor options

1. PT1000 sensor in motor windings for stator temperature measurements.
2. WIO (water-in-oil) sensor. The WIO sensor fitted in the oil chamber of the pump monitors whether water enters the pump from the liquid side. The sensor measures the water content (0 to 20 %) in the oil and converts the value into an analog current signal which is sent to an IO 113 sensor module. It also sends a signal if the water content is outside the normal range (warning), or if there is air in the oil chamber (alarm). The sensor is fitted in a stainless steel tube for mechanical protection.
3. Moisture switch. The moisture switch fitted in the motor chamber monitors whether water enters the pump. If moisture is detected in the motor chamber, the moisture switch will trip and send a warning to the IO 113 sensor module.

IO 113 sensor module



Fig. 15 Grundfos IO 113 sensor module

The IO 113 module is a protection module for Grundfos wastewater pumps. It has inputs for digital and analog pump sensors and can stop the pump if a sensor indicates a pump fault. IO 113 can be connected to the Dedicated Controls system offered by Grundfos and provides advanced monitoring functions:

- motor temperature
- moisture in motor
- water in oil
- insulation resistance.

Note: All pump versions with sensor need an IO 113 sensor module to operate properly. Modules are sold separately and can be found in [Accessories](#) on page 102.

Testing

All pumps are tested before leaving the factory. The factory test report is based on HI 1.6 - 2000 acceptance level B. Test reports are delivered with the pump.

Test certificates can be ordered directly with the pump or separately based on the pump serial number.

Other tests or third-party inspection certificates are available on request. See [Variants](#), page 8.

Operating conditions

The SL1 and SLV pumps are **only** for submerged installation.

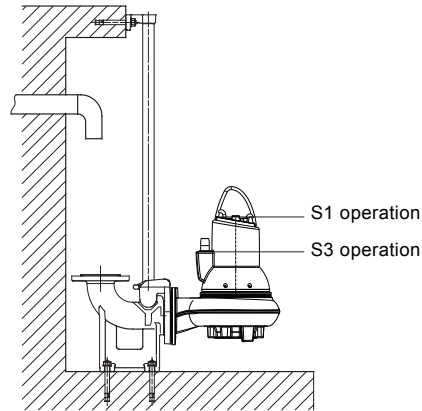


Fig. 16 Operation levels

- Continuous operation S1 when the pump is fully submerged to the top of the motor.

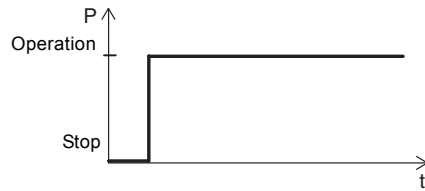


Fig. 17 Continuous operation

- Intermittent operation S3 with maximum 20 starts per hour when the pump is submerged to the bottom of the cable plug. The pump must run for maximum 4 minutes and stop for minimum 6 minutes. See fig. 18.

Note: Explosion-proof pumps **must** always be fully submerged.

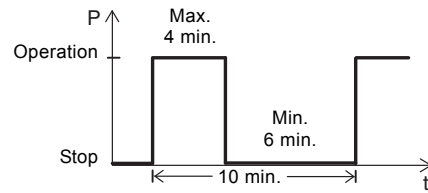


Fig. 18 Intermittent operation

Pumped liquids

Pump type	Material variant	Material	pH value
SL1/SLV	Standard	Cast iron impeller and pump housing	4-10
SLV	Q	Stainless steel impeller and cast iron pump housing	6-14 ¹⁾

¹⁾ For fluctuating pH values the range is pH 4 to 14.

Liquid temperature: 32-104 °F
(0-40 °C)

When pumping liquids with a density and/or a kinematic viscosity higher than that of water, use motors with correspondingly higher outputs.

For short periods (maximum 3 minutes), temperatures up to 140 °F (60 °C) are permissible (non-Ex versions only).

Sound pressure

The sound pressure level of the pump is lower than the limiting values stated in the EC Council directive 2006/42/EC relating to machinery (the EC Machinery Directive).

Motor range

Shaft power [hp (kW)]	No of poles
1.5 (1.1)	4
1.8 (1.3)	4
2 (1.5)	4
3 (2.2)	2/4
4 (3)	2/4
5.5 (4)	2/4
7.5 (5.5)	4
8 (6)	2
10 (7.5)	2
12.5 (9.2)	2
15 (11)	2

Pump controllers

The pumps must be connected to a control box with a motor protection relay with IEC trip class 10 or 15.

Note: Pumps for hazardous locations must be connected to a control box with a motor protection relay with IEC trip class 10.

The pumps can be controlled by the following pump controllers:

- Grundfos Dedicated Controls
- SLC, Simplex Level Controller
- DLC, Duplex Level Controller

For further information about Dedicated Controls and SLC, DLC controllers, please see page 104.

Variable-speed operation

All SL1, SLV pump types are designed for speed-controlled operation to keep the energy consumption at a minimum.

To avoid the risk of sedimentation in the pipes, we recommend that you operate the speed-controlled pump within a speed range of 30 % to 100 % and at a flow rate above 3.3 ft/s (1 m/s).

We recommend that you use EMC cables when using pumps with sensors because it helps prevent interference due to line noise.

For more information, please see the installation and operation instructions of SL1/SLV pumps US-P/N 97640137 at www.grundfos.com.

Approvals

The SL1 and SLV pumps have been approved by CSA and FM, and the explosion-proof versions hold an FM type examination certificate no. 3035318.

Approval standards

The pumps are approved by CSA and FM according to UL778, C22.2 no. 108 and FM 3600, FM3615 and FM3615.80.

Explanation of FM approval

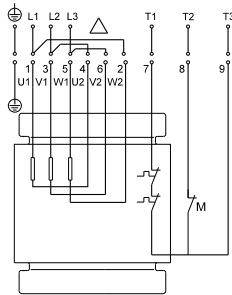
The SL1 and SLV pumps have the following explosion protection classification: Class I, Division 1, Groups C and D, T4, T3, IP68.

Standards	Code	Description
FM3600 FM3615 FM3615.80	Class I	= Explosive atmosphere is caused by gas or vapors
	Division 1	= Area classification
	Groups C and D	= Classification of gases
FM3615.80	T4/T3	= Maximum surface temperatures are 275 °F (135 °C) and 392 °F (200 °C), respectively
	IP68	= Enclosure class according to IEC 60529

SL 61 R voltage variant

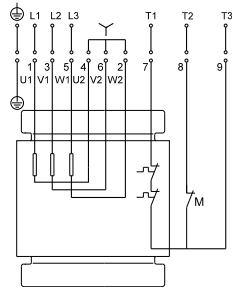
To standardize and help minimize part numbers and pump versions of the SL product portfolio, Grundfos created the 61 R voltage variant. 61 R is a dual-voltage (230 V / 460 V), three-phase, 60 Hz, direct-on-line (DOL) connected motor.

- Connect 230 V pumps using the low-voltage (delta) connection.
- Connect 460 V pumps using the high-voltage (star) connection.



TM05 7155 0613

Fig. 19 61 R, 230 V DOL wired in low-voltage (delta) connection



TM05 7156 0613

Fig. 20 61 R, 460 V DOL wired in high-voltage (star) connection

The 61 R voltage variant provides a large voltage range for supply power.

Stated voltage	Percentage variation	Voltage range
230 V	+/- 10 %	207-253 V
460 V	+/- 10 %	414-506 V

Wiring diagrams

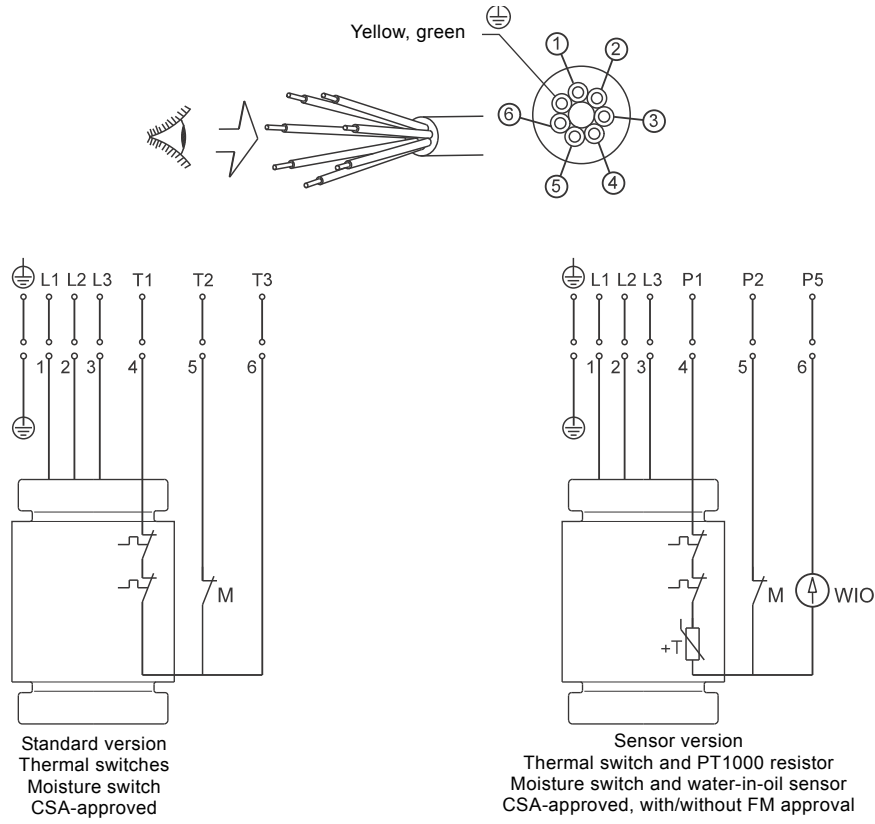


Fig. 21 Wiring diagram, 7-core cable, direct online

TM04 6689 0710

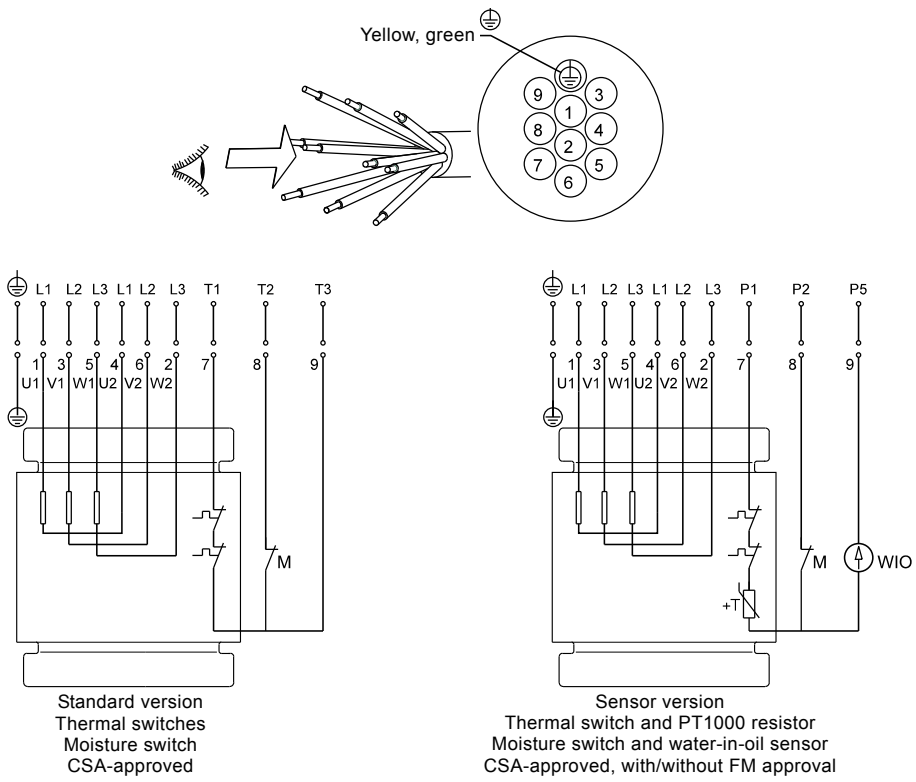


Fig. 22 Wiring diagram, 10-core cable, star/delta (Y/D)

TM04 6690 0710

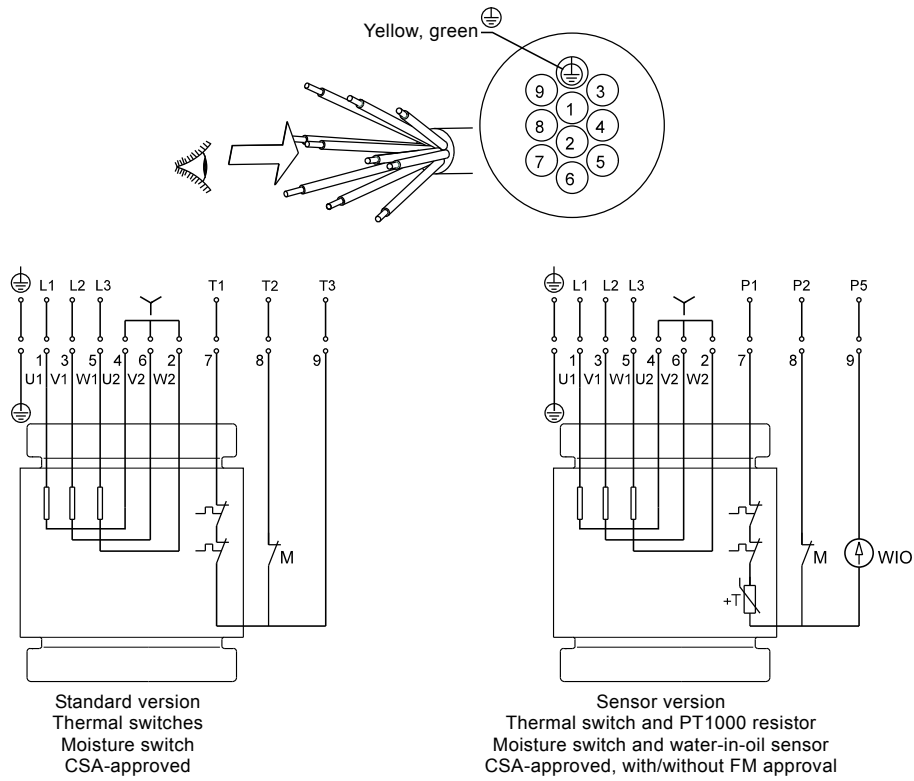


Fig. 23 Wiring diagram, 10-core cable, direct online, star-connected (Y)

TM04 6691 0710

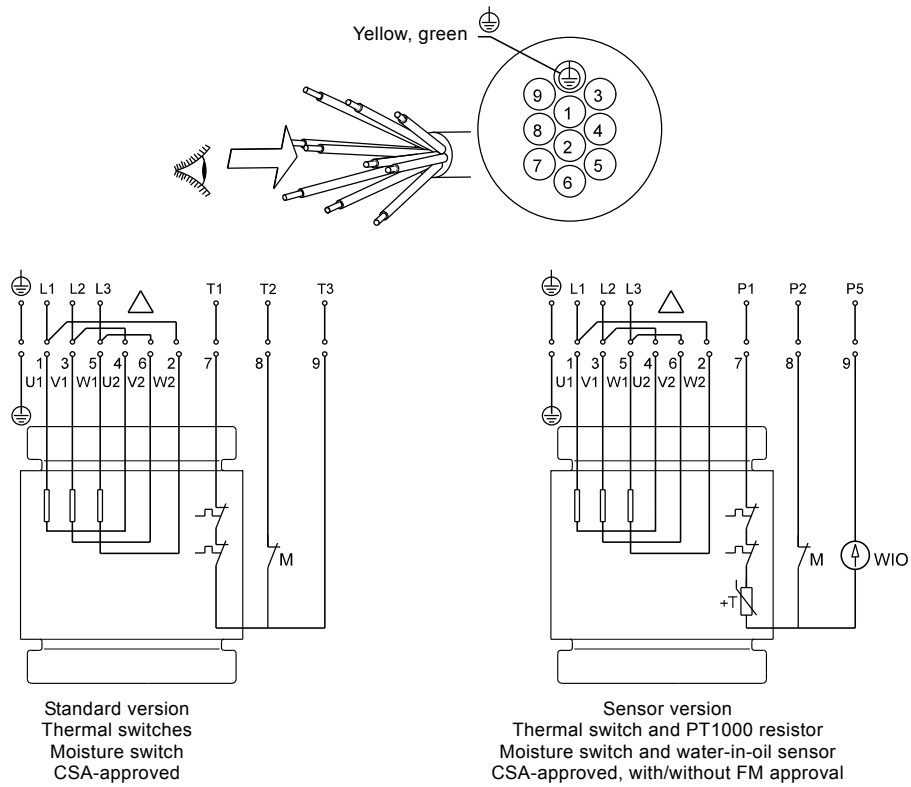


Fig. 24 Wiring diagram, 10-core cable, direct online, delta-connected (D)

TM04 6692 0710

8. Product range

SL1 pump range

With 49-ft cable

Pump type	Sensor*	Explosion-proof	Poles	Hz	Voltage					Stainless steel impeller
					3 x 208 V DOL	3 x 230 V D/ 460 V Y DOL	3 x 460 V Y/ D	3 x 575 V DOL	3 x 575 V Y/ D	
	[.A]	[.EX]	[.2]	[.6]	[0J]	[1R]	[1H]	[0L]	[1L]	[.Q]
SL1.20.A25.30	Yes	Yes	2	60	99034397	99030154			98634793	No
		No	2	60	**	**			**	No
	No	Yes	2	60	99034398	99030117			98634714	No
		No	2	60	99034394	99030073			98634556	No
SL1.20.A25.40	Yes	Yes	2	60	99034401	99030155			98634794	No
		No	2	60	**	**			**	No
	No	Yes	2	60	99034402	99030118			98634715	No
		No	2	60	99034399	99030074			98634557	No
SL1.20.A25.55	Yes	Yes	2	60	99034405	99030156			98634795	No
		No	2	60	**	**			**	No
	No	Yes	2	60	99034707	99030119			98634716	No
		No	2	60	99034403	99030075			98634558	No
SL1.20.A30.30	Yes	Yes	2	60	99034408	99030069			98634796	No
		No	2	60	**	**			**	No
	No	Yes	2	60	99034409	99030067			98634717	No
		No	2	60	99034406	99030066			98634559	No
SL1.20.A30.40	Yes	Yes	2	60	99034412	99030157			98634797	No
		No	2	60	**	**			**	No
	No	Yes	2	60	99034709	99030120			98634718	No
		No	2	60	99034410	99030076			98634560	No
SL1.20.A30.55	Yes	Yes	2	60	99034415	99030158			98634798	No
		No	2	60	**	**			**	No
	No	Yes	2	60	99034711	99030121			98634719	No
		No	2	60	99034413	99030077			98634561	No
SL1.30.A30.20	Yes	Yes	4	60	99034821	99030159			98634799	No
		No	4	60	**	**			**	No
	No	Yes	4	60	99034807	99030122			98634720	No
		No	4	60	99034779	99030078			98634562	No
SL1.30.A30.30	Yes	Yes	4	60	99034724	99030160			98634800	No
		No	4	60	**	**			**	No
	No	Yes	4	60	99034725	99030123			98634721	No
		No	4	60	99034418	99030079			98634563	No
SL1.30.A30.40	Yes	Yes	4	60	99034726	99030162			98634801	No
		No	4	60	**	**			**	No
	No	Yes	4	60	99034727	99030125			98634722	No
		No	4	60	99034420	99030080			98634564	No
SL1.30.A30.55	Yes	Yes	4	60	99034728	99030164			98634803	No
		No	4	60	**	**			**	No
	No	Yes	4	60	99034729	99030127			98634724	No
		No	4	60	99034422	99030082			98634566	No
SL1.30.A30.75	Yes	Yes	4	60	99034730	99030165			98634804	No
		No	4	60	**	**			**	No
	No	Yes	4	60	99034731	99030128			98634725	No
		No	4	60	99034424	99030083			98634567	No
SL1.30.A30.100	Yes	Yes	4	60	99034712	99030163			98634802	No
		No	4	60	**	**			**	No
	No	Yes	4	60	99034723	99030126			98634723	No
		No	4	60	99034416	99030081			98634565	No

* An IO 113 module is required with the sensor model pump. IO modules are not included with the pumps and can be found in [Accessories](#) on page 102.

** Contact Grundfos.

Pump type	Sensor*	Explosion-proof	Poles	Hz	Voltage					Stainless steel impeller
					3 x 208 V DOL	3 x 230 V D/ 460 V Y DOL	3 x 460 V Y/ D	3 x 575 V DOL	3 x 575 V Y/ D	
	[.A]	[.EX]	[.2]	[.6]	[0J]	[1R]	[1H]	[0L]	[1L]	[.Q]
SL1.30.A40.20	Yes	Yes	4	60	99034822	99030166			98634805	No
		No	4	60	**	**			**	No
	No	Yes	4	60	99034808	99030129			98634726	No
		No	4	60	99034780	99030084			98634568	No
SL1.30.A40.30	Yes	Yes	4	60	99034734	99030167			98634806	No
		No	4	60	**	**			**	No
	No	Yes	4	60	99034735	99030130			98634727	No
		No	4	60	99034428	99030071			98634569	No
SL1.30.A40.40	Yes	Yes	4	60	99034736	99030169			98634807	No
		No	4	60	**	**			**	No
	No	Yes	4	60	99034737	99030131			98634728	No
		No	4	60	99034430	99030085			98634570	No
SL1.30.A40.55	Yes	Yes	4	60	99034738	99030171			98634809	No
		No	4	60	**	**			**	No
	No	Yes	4	60	99034739	99030144			98634730	No
		No	4	60	99034432	99030072			98634572	No
SL1.30.A40.75	Yes	Yes	4	60	99034740	99030172			98634810	No
		No	4	60	**	**			**	No
	No	Yes	4	60	99034741	99030145			98634731	No
		No	4	60	99034434	99030086			98634573	No
SL1.30.A40.100	Yes	Yes	4	60	99034732	99030170			98634808	No
		No	4	60	**	**			**	No
	No	Yes	4	60	99034733	99030132			98634729	No
		No	4	60	99034426	99030070			98634571	No
SL1.40.A40.55	Yes	Yes	4	60	99034744	99030174			98634812	No
		No	4	60	**	**			**	No
	No	Yes	4	60	99034440	99030148			98634733	No
		No	4	60	99034438	99030088			98634575	No
SL1.40.A40.75	Yes	Yes	4	60	99034745	99030175			98634813	No
		No	4	60	**	**			**	No
	No	Yes	4	60	99034443	99030149			98634734	No
		No	4	60	99034441	99030089			98634576	No
SL1.40.A40.100	Yes	Yes	4	60	99034742	99030173			98634811	No
		No	4	60	**	**			**	No
	No	Yes	4	60	99034743	99030147			98634732	No
		No	4	60	99034436	99030087			98634574	No
SL1.40.A60.55	Yes	Yes	4	60	99034451	99030177			98634815	No
		No	4	60	**	**			**	No
	No	Yes	4	60	99034452	99030151			98634736	No
		No	4	60	99034449	99030091			98634578	No
SL1.40.A60.75	Yes	Yes	4	60	99034455	99030178			98634816	No
		No	4	60	**	**			**	No
	No	Yes	4	60	99034457	99030153			98634737	No
		No	4	60	**	**			**	No
SL1.40.A60.100	Yes	Yes	4	60	99034746	99030176			98634814	No
		No	4	60	**	**			**	No
	No	Yes	4	60	99034448	99030150			98634735	No
		No	4	60	99034445	99030090			98634577	No

* An IO 113 module is required with the sensor model pump. IO modules are not included with the pumps and can be found in [Accessories](#) on page 102.

** Contact Grundfos.

SLV pump range

With 49-ft cable

Pump type	Sensor*	Explosion-proof	Poles	Hz	Voltage					Stainless steel impeller
					3 x 208 V DOL	3 x 230 V D/ 460 V Y DOL	3 x 460 V Y/D	3 x 575 V DOL	3 x 575 V Y/D	
	[.A]	[.EX]	[.2]	[.6]	[0J]	[1R]	[1H]	[0L]	[1L]	[.Q]
SLV.25.A25.30	Yes	Yes	2	60	**	**			**	Yes
		No	2	60	99034460	99030285			98634817	No
		No	2	60	**	**			**	Yes
	No	Yes	2	60	**	**			**	No
		No	2	60	99034461	99030254			98634738	No
		No	2	60	**	**			**	Yes
SLV.25.A25.40	Yes	Yes	2	60	**	**			**	Yes
		No	2	60	99034463	99030286			98634818	No
		No	2	60	**	**			**	Yes
	No	Yes	2	60	**	**			**	No
		No	2	60	99034464	99030255			98634739	No
		No	2	60	**	**			**	Yes
SLV.25.A25.55	Yes	Yes	2	60	**	**			**	Yes
		No	2	60	99034466	99030287			98634819	No
		No	2	60	**	**			**	Yes
	No	Yes	2	60	**	**			**	No
		No	2	60	99034467	99030256			98634740	No
		No	2	60	**	**			**	Yes
SLV.25.A30.30	Yes	Yes	2	60	**	**			**	Yes
		No	2	60	99034469	99030288			98634820	No
		No	2	60	**	**			**	Yes
	No	Yes	2	60	**	**			**	No
		No	2	60	99034470	99030257			98634741	No
		No	2	60	**	**			**	Yes
SLV.25.A30.40	Yes	Yes	2	60	**	**			**	Yes
		No	2	60	99034473	99030290			98634821	No
		No	2	60	**	**			**	Yes
	No	Yes	2	60	**	**			**	No
		No	2	60	99034474	99030258			98634742	No
		No	2	60	**	**			**	Yes
SLV.25.A30.55	Yes	Yes	2	60	**	**			**	Yes
		No	2	60	99034477	99030291			98634822	No
		No	2	60	**	**			**	Yes
	No	Yes	2	60	**	**			**	No
		No	2	60	99034478	99030259			98634743	No
		No	2	60	**	**			**	Yes
					99030432			**	Yes	
					99030434			**	Yes	
					99034475	99030187			98634585	No

* An IO 113 module is required with the sensor model pump. IO modules are not included with the pumps and can be found in [Accessories](#) on page 102.

** Contact Grundfos.



Pump type	Sensor*	Explosion-proof	Poles	Hz	Voltage					Stainless steel impeller
					3 x 208 V DOL	3 x 230 V D/ 460 V Y DOL	3 x 460 V Y/ D	3 x 575 V DOL	3 x 575 V Y/ D	
	[.A]	[.EX]	[.2]	[.6]	[0J]	[1R]	[1H]	[0L]	[1L]	[.Q]
SLV.30.A30.15	Yes	Yes	4	60	**	99030409			98634834	Yes
					99034498	99030297		98634833	No	
		No	4	60	**	**			**	**
	**				**		**	**	No	
	**				99030384		98634755	Yes		
	No	4	60	**	99034811	99030266		98634754	98634598	No
**				**	99030335	98634598	98634597	Yes		
**				99034781	99030195	98634597	98634597	No		
SLV.30.A30.18	Yes	Yes	4	60	**	99030410			98634836	Yes
					99034500	99030298		98634835	No	
		No	4	60	**	**	**	**	**	**
	**				**	**	**	**	No	
	**				99030385		98634757	98634756	Yes	
	No	4	60	**	99034813	99030267		98634756	98634600	No
**				**	99030336	98634600	98634599	Yes		
**				99034793	99030196	98634599	98634824	No		
SLV.30.A30.20	Yes	Yes	4	60	**	99030404			98634824	Yes
					99034823	99030292		98634823	No	
		No	4	60	**	**	**	**	**	**
	**				**	**	**	**	No	
	**				99030379		98634745	98634744	Yes	
	No	4	60	**	99034809	99030260		98634744	98634587	No
**				**	99030320	98634587	98634586	Yes		
**				99034778	99030188	98634586	98634826	No		
SLV.30.A30.30	Yes	Yes	4	60	**	99030405			98634826	Yes
					99034503	99030293		98634825	No	
		No	4	60	**	**	**	**	**	**
	**				**	**	**	**	No	
	**				99030380		98634747	98634746	Yes	
	SLV.30.A30.55	Yes	Yes	4	60	**	99030321			98634589
99034504						99030261		98634588	98634840	No
No			4	60	**	**	99030412		98634840	98634839
		**			99034509	99030413	98634839	98634842	No	
		**			**	99030300	98634842	98634841	Yes	
SLV.30.A30.80		Yes	Yes	2	60	**	**	**	**	**
	**					**	**	**	**	No
	No		4	60	**	**	**	**	**	**
		**			**	**	**	**	No	
		**			99030387		98634761	98634760	Yes	
	SLV.30.A30.80	Yes	Yes	2	60	**	99034511	99030388		98634760
**						**	99030269	98634763	98634762	Yes
No			4	60	**	99034512	99030270		98634762	98634604
		**			**	99030338	98634604	98634603	Yes	
		**			99034505	99030339	98634603	98634606	No	
SLV.30.A30.80		Yes	Yes	2	60	**	99030198			98634606
	99034752					99030199		98634605	98634828	No
	No		2	60	**	**	99030406		98634828	98634827
		**			**	99030294	98634827	**	No	
		**			**	**	**	**	Yes	
	SLV.30.A30.80	Yes	2	60	**	**	**	**	**	**
**					**	**	**	**	No	
No		2	60	**	99030381			98634749	98634748	Yes
				**	99034517	99030262	98634748	98634591	No	
No	2	60	**	**	99030322		98634591	98634590	Yes	
			**	99034514	99030191	98634590	98634590	No		

* An IO 113 module is required with the sensor model pump. IO modules are not included with the pumps and can be found in [Accessories](#) on page 102.

** Contact Grundfos.

Pump type	Sensor*	Explosion-proof	Poles	Hz	Voltage					Stainless steel impeller
					3 x 208 V DOL	3 x 230 V D/ 460 V Y DOL	3 x 460 V Y/ D	3 x 575 V DOL	3 x 575 V Y/ D	
	[.A]	[.EX]	[.2]	[.6]	[0J]	[1R]	[1H]	[0L]	[1L]	[.Q]
SLV.30.A30.100	Yes	Yes	2	60	**	99030407			98634830	Yes
					99034481	99030295		98634829	No	
		**	**		**	Yes				
	No	Yes	2	60	**	99030382			98634751	Yes
					99034482	99030263		98634750	No	
		**	99030333		98634594	Yes				
SLV.30.A30.125	Yes	Yes	2	60	**	99030411			98634838	Yes
					99034495	99030299		98634837	No	
		**	**		**	Yes				
	No	Yes	2	60	**	99030386			98634759	Yes
					99034496	99030268		98634758	No	
		**	99030337		98634602	Yes				
SLV.30.A30.150	Yes	Yes	2	60	**	99030408			98634832	Yes
					99034662	99030296		98634831	No	
		**	**		**	Yes				
	No	Yes	2	60	**	99030383			98634753	Yes
					99034664	99030265		98634752	No	
		**	99030334		98634596	Yes				
SLV.30.A40.15	Yes	Yes	4	60	**	99030419			98634854	Yes
					99034527	99030307		98634853	No	
		**	**		**	Yes				
	No	Yes	4	60	**	99030394			98634776	Yes
					99034817	99030276		98634775	No	
		**	99030345		98634618	Yes				
SLV.30.A40.18	Yes	Yes	4	60	**	99030420			98634856	Yes
					99034529	99030308		98634855	No	
		**	**		**	Yes				
	No	Yes	4	60	**	99030395			98634778	Yes
					99034819	99030277		98634777	No	
		**	99030346		98634620	Yes				
SLV.30.A40.20	Yes	Yes	4	60	**	99030414			98634844	Yes
					99034825	99030302		98634843	No	
		**	**		**	Yes				
	No	Yes	4	60	**	99030389			98634766	Yes
					99034815	99030271		98634765	No	
		**	99030340		98634608	Yes				
SLV.30.A40.30	Yes	Yes	4	60	**	99030415			98634846	Yes
					99034532	99030303		98634845	No	
		**	**		**	Yes				
	No	Yes	4	60	**	99030390			98634768	Yes
					99034533	99030272		98634767	No	
		**	99030341		98634610	Yes				
No	No	4	60	**	99030301			98634609	No	
				**	**		**	No		

* An IO 113 module is required with the sensor model pump. IO modules are not included with the pumps and can be found in [Accessories](#) on page 102.

** Contact Grundfos.

Pump type	Sensor*	Explosion-proof	Poles	Hz	Voltage					Stainless steel impeller	
					3 x 208 V DOL	3 x 230 V D/ 460 V Y DOL	3 x 460 V Y/ D	3 x 575 V DOL	3 x 575 V Y/ D		
	[.A]	[.EX]	[.2]	[.6]	[0J]	[1R]	[1H]	[0L]	[1L]	[.Q]	
SLV.30.A40.55	Yes	Yes	2	60	**	99030422			98634860	Yes	
					99034537	99030423		98634859	No		
			**	99030310		98634862	Yes				
		No	4	60	99034538	99030311		98634861	No		
					**	**	**	98634861	No		
			2	60	**	**	**	98634861	Yes		
	No	4	60	**	**	**	**	**	98634861	No	
				**	**	**	**	**	98634861	No	
		2	60	**	99030397		98634782	Yes			
				99034539	99030399		98634781	No			
		4	60	**	99030279		98634784	Yes			
				99034759	99030280		98634783	No			
2	60	**	99030348		98634624	Yes					
		99034534	99030349		98634623	No					
4	60	**	99030208		98634626	Yes					
		99034536	99030209		98634625	No					
SLV.30.A40.80	Yes	Yes	2	60	**	99030416		98634848	Yes		
					99034542	99030304		98634847	No		
			**	**	**	98634847	Yes				
		No	2	60	**	**	**	**	**	98634847	No
					**	**	**	**	**	98634847	No
			2	60	**	99030391		98634770	Yes		
	No	2	60	99034543	99030273		98634769	No			
				**	99030342		98634612	Yes			
		2	60	99034540	99030202		98634611	No			
				**	99030417		98634850	Yes			
		2	60	99034520	99030305		98634849	No			
				**	**	**	98634849	No			
SLV.30.A40.100	Yes	Yes	2	60	**	**	**	**	98634850	Yes	
					**	**	**	**	**	98634850	No
			2	60	**	99030392		98634772	Yes		
		No	2	60	99034521	99030274		98634771	No		
					**	99030343		98634614	Yes		
			2	60	99034518	99030203		98634613	No		
	Yes	Yes	2	60	**	99030421		98634858	Yes		
					99034524	99030309		98634857	No		
			**	**	**	98634857	Yes				
		No	2	60	**	**	**	**	**	98634857	No
					**	**	**	**	**	98634857	No
			2	60	**	99030396		98634780	Yes		
No	2	60	99034525	99030278		98634779	No				
			**	99030347		98634622	Yes				
	2	60	99034522	99030207		98634621	No				
			**	99030418		98634852	Yes				
	2	60	99034670	99030306		98634851	No				
			**	**	**	98634851	Yes				
SLV.30.A40.150	Yes	Yes	2	60	**	**	**	**	98634851	Yes	
					**	**	**	**	**	98634851	No
			2	60	**	99030393		98634774	Yes		
		No	2	60	99034672	99030275		98634773	No		
					**	99030344		98634616	Yes		
			2	60	99034666	99030204		98634615	No		
	Yes	Yes	4	60	**	99030424		98634864	Yes		
					99034549	99030312		98634863	No		
			**	**	**	98634863	Yes				
		No	4	60	**	**	**	**	**	98634863	No
					**	**	**	**	**	98634863	No
			4	60	**	99030400		98634786	Yes		
No	4	60	99034765	99030281		98634785	No				
			**	99030350		98634628	Yes				
	4	60	99034548	99030210		98634627	No				

* An IO 113 module is required with the sensor model pump. IO modules are not included with the pumps and can be found in [Accessories](#) on page 102.

** Contact Grundfos.

Pump type	Sensor*	Explosion-proof	Poles	Hz	Voltage					Stainless steel impeller
					3 x 208 V DOL	3 x 230 V D/ 460 V Y DOL	3 x 460 V Y/D	3 x 575 V DOL	3 x 575 V Y/D	
	[.A]	[.EX]	[.2]	[.6]	[0J]	[1R]	[1H]	[0L]	[1L]	[.Q]
SLV.40.A40.55	Yes	Yes	4	60	**	99030426			98634868	Yes
					99034552	99030314		98634867	No	
	No	No	4	60	**	**			**	Yes
					**	**		**	No	
	No	Yes	4	60	**	99030402			98634790	Yes
					99034767	99030283		98634789	No	
	No	No	4	60	**	99030352			98634632	Yes
99034550					99030213		98634631	No		
SLV.40.A40.75	Yes	Yes	4	60	**	99030427			98634870	Yes
					99034565	99030315		98634869	No	
	No	No	4	60	**	**			**	Yes
					**	**		**	No	
	No	Yes	4	60	**	99030403			98634792	Yes
					99034566	99030284		98634791	No	
	No	No	4	60	**	99030353			98634634	Yes
99034563					99030214		98634633	No		
SLV.40.A40.100	Yes	Yes	4	60	**	99030425			98634866	Yes
					99034547	99030313		98634865	No	
	No	No	4	60	**	**			**	Yes
					**	**		**	No	
	No	Yes	4	60	**	99030401			98634788	Yes
					99034761	99030282		98634787	No	
	No	No	4	60	**	99030351			98634630	Yes
99034545					99030212		98634629	No		

* An IO 113 module is required with the sensor model pump. IO modules are not included with the pumps and can be found in [Accessories](#) on page 102.

** Contact Grundfos.

9. Curve charts and technical data

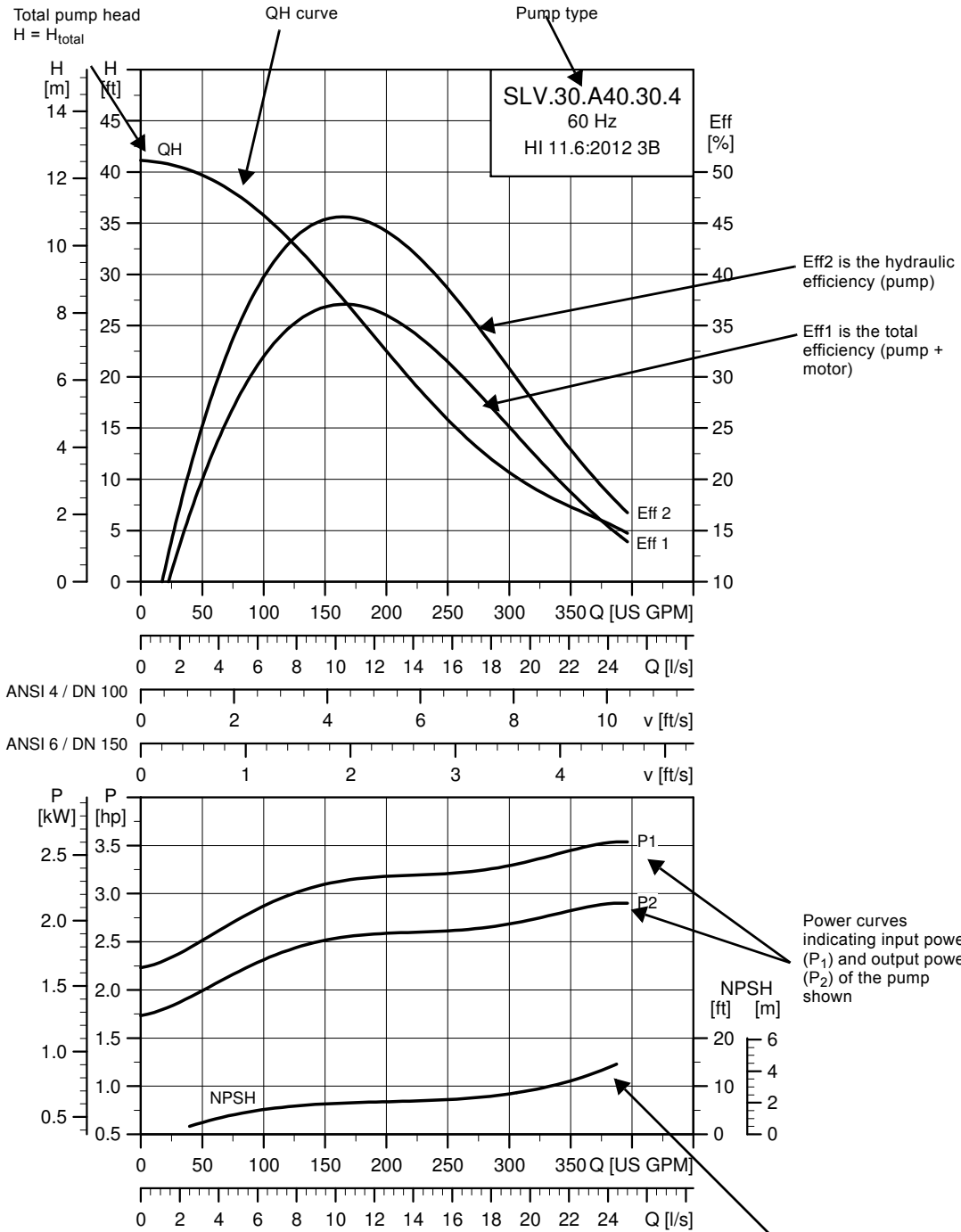
The following pages are divided into sections:
Pages 34 and 35 give a brief explanation of how to read the curve charts and the curve conditions etc.

Pages 36 to 89 gives the pump performance curve, electrical and pump data.

Performance curves and technical data

Page	Pump curves	Page	Pump curves	Page	Pump curves	Page	Pump curves
36	Performance curves: SL1.20.A25.30.2.--.C	50	Performance curves: SL1.30.A40.40.4.--.C	64	Performance curves: SLV.25.A30.40.2.--.C	78	Performance curves: SLV.30.A40.20.4.--.C
37	Performance curves: SL1.20.A25.40.2.--.C	51	Performance curves: SL1.30.A40.55.4.--.C	65	Performance curves: SLV.25.A30.55.2.--.C	79	Performance curves: SLV.30.A40.30.4.--.C
38	Performance curves: SL1.20.A25.55.2.--.C	52	Performance curves: SL1.30.A40.75.4.--.C	66	Performance curves: SLV.30.A30.15.4.--.C	80	Performance curves: SLV.30.A40.55.2.--.C
39	Performance curves: SL1.20.A30.30.2.--.C	53	Performance curves: SL1.30.A40.100.4.--.C	67	Performance curves: SLV.30.A30.18.4.--.C	81	Performance curves: SLV.30.A40.55.4.--.C
40	Performance curves: SL1.20.A30.40.2.--.C	54	Performance curves: SL1.40.A40.55.4.--.C	68	Performance curves: SLV.30.A30.20.4.--.C	82	Performance curves: SLV.30.A40.80.2.--.C
41	Performance curves: SL1.20.A30.55.2.--.C	55	Performance curves: SL1.40.A40.75.4.--.C	69	Performance curves: SLV.30.A30.30.4.--.C	83	Performance curves: SLV.30.A40.100.2.--.C
42	Performance curves: SL1.30.A30.20.4.--.C	56	Performance curves: SL1.40.A40.100.4.--.C	70	Performance curves: SLV.30.A30.55.2.--.C	84	Performance curves: SLV.30.A40.125.2.--.C
43	Performance curves: SL1.30.A30.30.4.--.C	57	Performance curves: SL1.40.A60.55.4.--.C	71	Performance curves: SLV.30.A30.55.4.--.C	85	Performance curves: SLV.30.A40.150.2.--.C
44	Performance curves: SL1.30.A30.40.4.--.C	58	Performance curves: SL1.40.A60.75.4.--.C	72	Performance curves: SLV.30.A30.80.2.--.C	86	Performance curves: SLV.40.A40.40.4.--.C
45	Performance curves: SL1.30.A30.55.4.--.C	59	Performance curves: SL1.40.A60.100.4.--.C	73	Performance curves: SLV.30.A30.100.2.--.C	87	Performance curves: SLV.40.A40.55.4.--.C
46	Performance curves: SL1.30.A30.75.4.--.C	60	Performance curves: SLV.25.A25.30.2.--.C	74	Performance curves: SLV.30.A30.125.2.--.C	88	Performance curves: SLV.40.A40.75.4.--.C
47	Performance curves: SL1.30.A30.100.4.--.C	61	Performance curves: SLV.25.A25.40.2.--.C	75	Performance curves: SLV.30.A30.150.2.--.C	89	Performance curves: SLV.40.A40.100.4.--.C
48	Performance curves: SL1.30.A40.20.4.--.C	62	Performance curves: SLV.25.A25.55.2.--.C	76	Performance curves: SLV.30.A40.15.4.--.C		
49	Performance curves: SL1.30.A40.30.4.--.C	63	Performance curves: SLV.25.A30.30.2.--.C	77	Performance curves: SLV.30.A40.18.4.--.C		

How to read the curve charts



TM04 7268 1910

Curve conditions

The guidelines below apply to the curves shown in the performance charts on pages 36 to 89.

- Tolerances according to HI 11.6 - 2012 acceptance level 3B.
- The curves show pump performance with different impeller diameters at the rated speed.
- The bold part of the curves show the recommended operating range.
- The curves apply to the pumping of airless water at a temperature of 68 °F (20 °C) and a kinematic viscosity of 1 cSt (1.076 (ft²/s) x 10⁻⁵).
- **Eff:** The lines show values of the hydraulic efficiency, i.e. Eff1 is the total efficiency (pump + motor) and Eff2 is the hydraulic efficiency (pump).
- **NPSH:** The curves show average values measured under the same conditions as the performance curves.
When dimensioning the pump, add a safety margin of at least 1.6 ft (0.5 m).
- In case of densities other than 133.5 ounces/gallon (1000 kg/m³), the outlet pressure is proportional to the density.
- When pumping liquids with a density higher than 133.5 ounces/gallon (1000 kg/m³), motors with correspondingly higher outputs must be used.

Calculation of total head

The total pump head consists of the height difference between the measuring points + the differential head + the dynamic head.

$$H_{\text{total}} = H_{\text{geo}} + H_{\text{stat}} + H_{\text{dyn}}$$

H_{geo} : Height difference between measuring points.

H_{stat} : Differential head between the inlet and the outlet side of the pump.

H_{dyn} : Calculated values based on the velocity of the pumped liquid on the inlet and the outlet side of the pump.

Performance tests

All pumps are factory tested to a Grundfos testing standard that is similar to the hydraulic Institute 11.6:2012 grade 3B. These Grundfos standard curves are provided with each pump. For tests according to ANSI/HI 11.6:2012 grade 3B, see [Tests](#) on page 8.

The testing equipment and measuring instruments are designed and calibrated in accordance with the mentioned standards.

For customized duty point or other grades with 5 point test certificate, please contact Grundfos in order to agree on terms before ordering.

Certificates

Certificates have to be confirmed for every order and are available on request. See [Certificates](#) on page 8.

Witness test

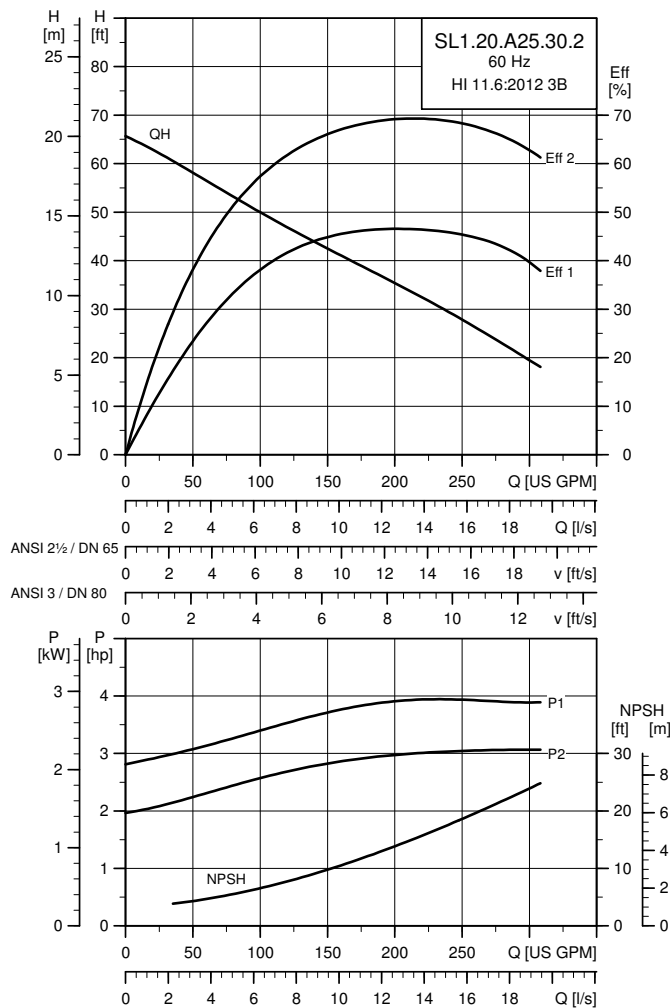
It is possible for the customer to witness the testing procedure according to Hydraulic Institute 11.6 - 2012. The witness test is not a certificate and will not result in a written statement from Grundfos. The witness test only guarantees that everything is carried out as prescribed in the testing procedure.

If the customer wants to witness the pump performance test, such request must be stated on the order.

10. Performance curves and technical data

SL1.20.A25

Performance curves: SL1.20.A25.30.2---.C



TM04 7633 4318

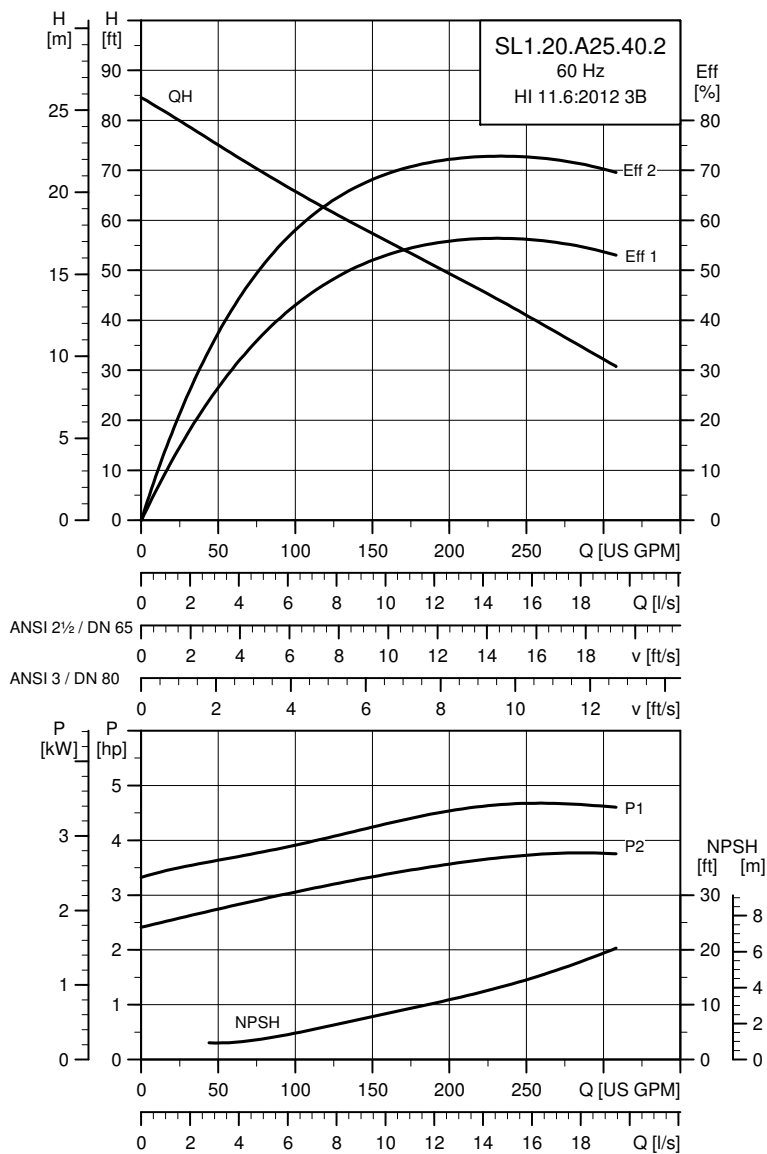
Electrical data

Pump type	Voltage [V]	P1 [hp (kW)]	P2 [hp (kW)]	No. of poles	RPM	Starting method	I _N			I _{start}			η _{motor} [%]			Cos φ			SF	Moment of inertia [lb ² ft ² (kgm ²)]	Breakdown torque M _{max} [lb ² ft (Nm)]
							[A]	[A]	[A]	1/2	3/4	1/1	1/2	3/4	1/1						
60J	3 x 208 V D	4.0 (3.0)	3.0 (2.2)	2	3503	DOL	8.6	68	83.8	85.8	85.0	0.78	0.85	0.89	1.15	0.154 (0.0065)	15.5 (21)				
61R	3 x 230 V D/ 460 V Y	4.0 (3.0)	3.0 (2.2)	2	3503	Y/D	8.2 / 4.2	50 / 40	84	85.2	83.8	0.81	0.87	0.9	1.15	0.154 (0.0065)	12.5 (17)				
61L	3 x 575 V D Y/D	4.0 (3.0)	3.0 (2.2)	2	3503	Y/D	3.5	26	83.8	85.8	85.0	0.78	0.85	0.89	1.15	0.154 (0.0065)	15.5 (21)				

Pump data

Weight [lb. (kg)]	Impeller type	Max. solids size [in. (mm)]	Pump housing pressure PN	Max. number of starts per hour	Enclosure class	Insulation class	Temperature rise class	Max. liquid temperature [°F (°C)]	pH
145 (65.6)	S-tube	2 (50)	10	20	IP68	H	A	104 (40)	4-14

Performance curves: SL1.20.A25.40.2---C



TM04 7634 4318

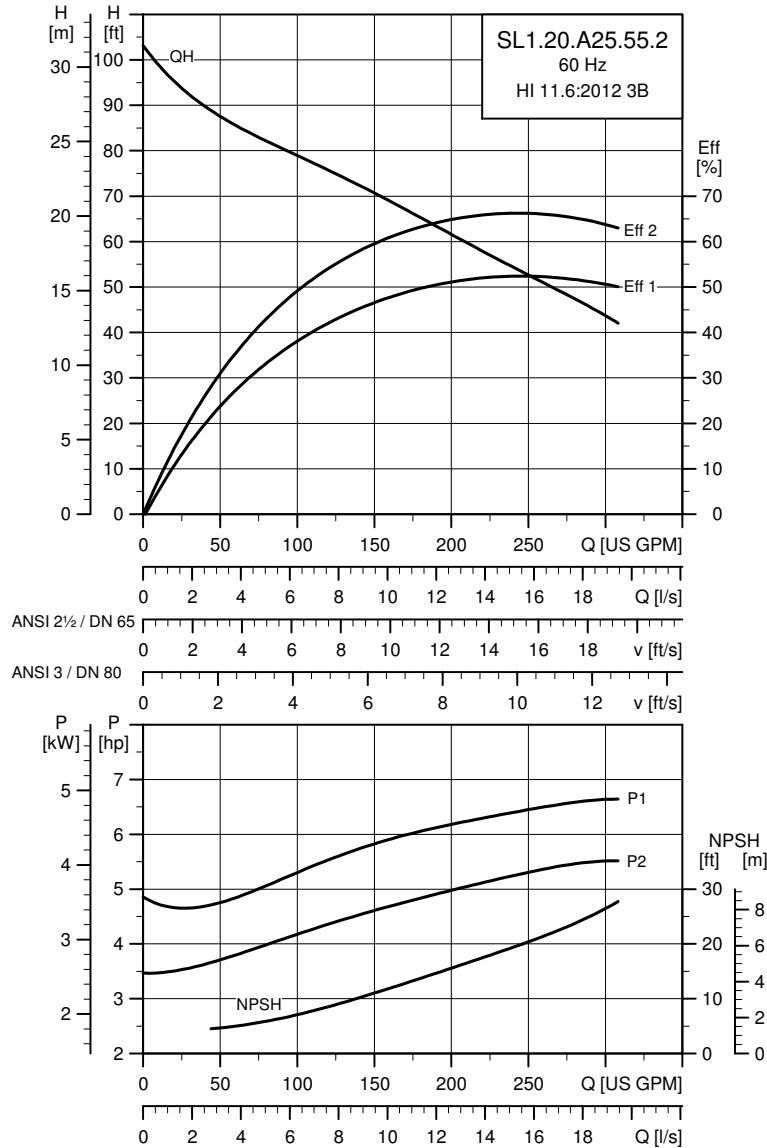
Electrical data

Pump type	Voltage [V]	P1 [hp (kW)]	P2 [hp (kW)]	No. of poles	RPM	Starting method	I _N		η _{motor} [%]			Cos φ			SF	Moment of inertia [lb·ft ² (kgm ²)]	Breakdown torque M _{max} [lb·ft (Nm)]
							[A]	[A]	1/2	3/4	1/1	1/2	3/4	1/1			
60J	3 x 208 V D	5.1 (3.8)	4.0 (3.0)	2	3515	DOL	11.3	98	84.8	86.5	86.5	0.74	0.83	0.87	1.15	0.154 (0.0065)	40.6 (55)
61R	3 x 230 V D/ 460 V Y	5.1 (3.8)	4.0 (3.0)	2	3515	Y/D	10.8 / 5.7	80 / 60	85.3	85.9	85.5	0.8	0.86	0.89	1.15	0.154 (0.0065)	20.6 (28)
61L	3 x 575 V D Y/D	5.1 (3.8)	4.0 (3.0)	2	3515	Y/D	4.3	37	84.8	86.5	86.5	0.74	0.83	0.87	1.15	0.154 (0.0065)	40.6 (55)

Pump data

Weight [lb. (kg)]	Impeller type	Max. solids size [in. (mm)]	Pump housing pressure PN	Max. number of starts per hour	Enclosure class	Insulation class	Temperature rise class	Max. liquid temperature [°F (°C)]	pH
207 (94.0)	S-tube	2 (50)	10	20	IP68	H	A	104 (40)	4-14

Performance curves: SL1.20.A25.55.2---C



TM04 7635 4318

Electrical data

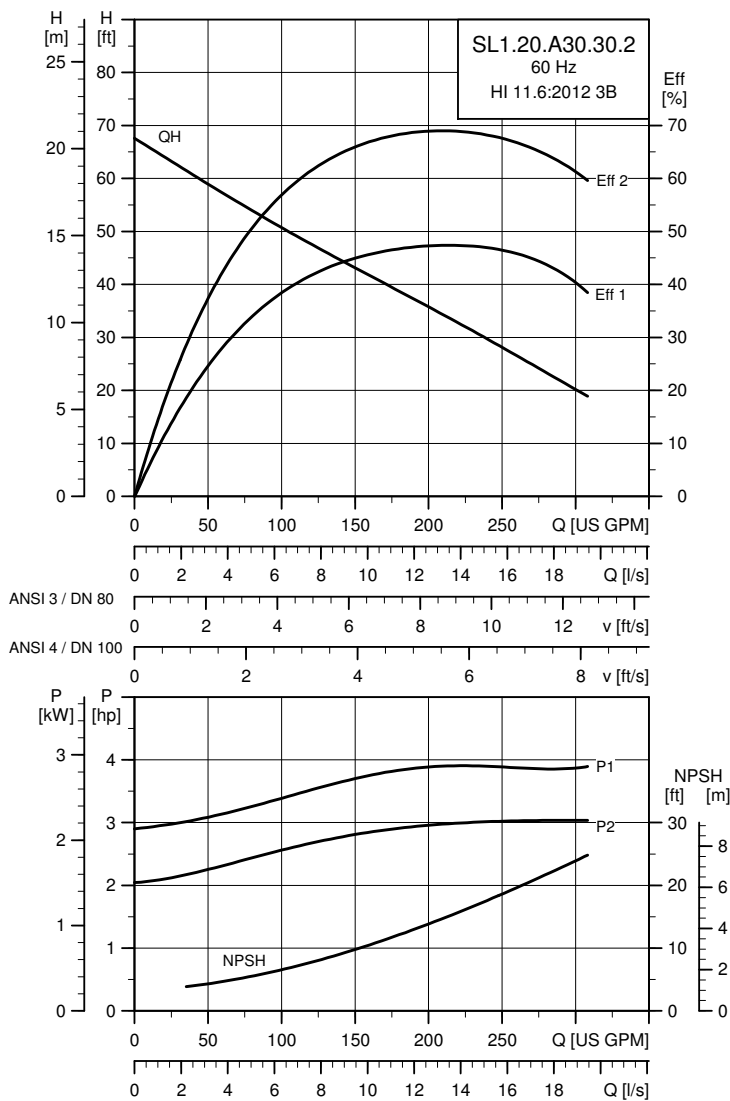
Pump type	Voltage [V]	P1 [hp (kW)]	P2 [hp (kW)]	No. of poles	RPM	Starting method	I_N			I_{start}			$\eta_{motor} [\%]$			$\cos \varphi$			SF	Moment of inertia [lb ² ft ² (kgm ²)]	Breakdown torque M_{max} [lbf ² ft (Nm)]
							[A]	[A]	[A]	1/2	3/4	1/1	1/2	3/4	1/1						
60J	3 x 208 V D	6.7 (5.0)	5.0 (4.0)	2	3535	DOL	15.0	166	82.0	85.0	86.0	0.76	0.84	0.88	1.15	0.119 (0.0050)	41.3 (56)				
61R	3 x 230 V D/ 460 V Y	6.7 (5.0)	5.0 (4.0)	2	3535	Y/D	13.8 / 7.2	120 / 80	82.7	85.4	86.1	0.8	0.87	0.9	1.15	0.119 (0.0050)	28.7 (56)				
61L	3 x 575 V D Y/D	6.8 (5.0)	5.0 (4.0)	2	3535	Y/D	5.7	64	82.0	85.0	86.0	0.76	0.84	0.88	1.15	0.119 (0.0050)	41.3 (56)				

Pump data

Weight [lb. (kg)]	Impeller type	Max. solids size [in. (mm)]	Pump housing pressure PN	Max. number of starts per hour	Enclosure class	Insulation class	Temperature rise class	Max. liquid temperature [°F (°C)]	pH
280 (127)	S-tube	2 (50)	10	20	IP68	H	A	104 (40)	4-14

SL1.20.A30

Performance curves: SL1.20.A30.30.2---C



TM04 7636 4318

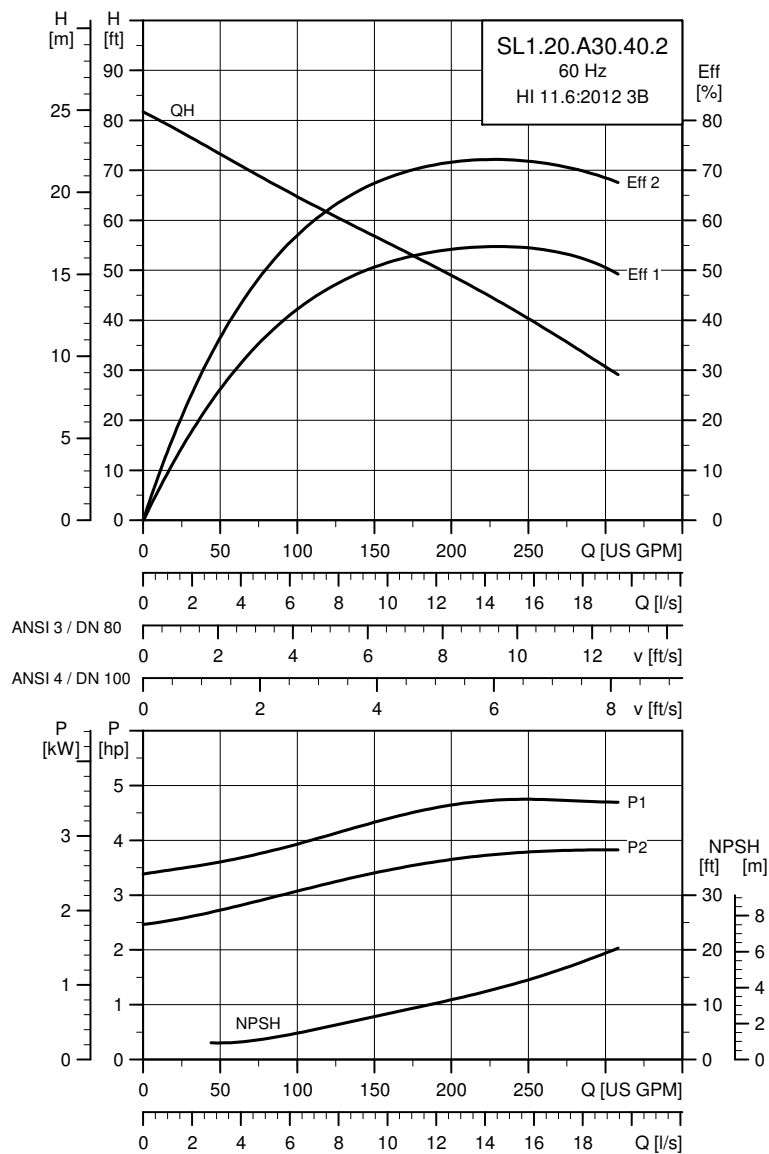
Electrical data

Pump type	Voltage [V]	P1 [hp (kW)]	P2 [hp (kW)]	No. of poles	RPM	Starting method	I_N			I_{start}			$\eta_{motor} [\%]$			$\cos \varphi$			SF	Moment of inertia [lb ² ft ² (kgm ²)]	Breakdown torque M_{max} [lbf ² ft (Nm)]
							[A]	[A]	[A]	1/2	3/4	1/1	1/2	3/4	1/1						
60J	3 x 208 V D	4.0 (3.0)	3.0 (2.2)	2	3503	DOL	8.6	68	83.8	85.8	85.0	0.78	0.85	0.89	1.15	0.119 (0.0050)	15.5 (21)				
61R	3 x 230 V D/ 460 V Y	4.0 (3.0)	3.0 (2.2)	2	3503	Y/D	8.2 / 4.2	50 / 40	84	85.2	83.8	0.81	0.87	0.9	1.15	0.119 (0.0050)	12.5 (17)				
61L	3 x 575 V D Y/D	4.0 (3.0)	3.0 (2.2)	2	3503	Y/D	3.3	26	83.8	85.8	85.0	0.78	0.85	0.89	1.15	0.119 (0.0050)	15.5 (21)				

Pump data

Weight [lb. (kg)]	Impeller type	Max. solids size [in. (mm)]	Pump housing pressure PN	Max. number of starts per hour	Enclosure class	Insulation class	Temperature rise class	Max. liquid temperature [°F (°C)]	pH
146 (66.4)	S-tube	2 (50)	10	20	IP68	H	A	104 (40)	4-14

Performance curves: SL1.20.A30.40.2---C



TM04 7637 4318

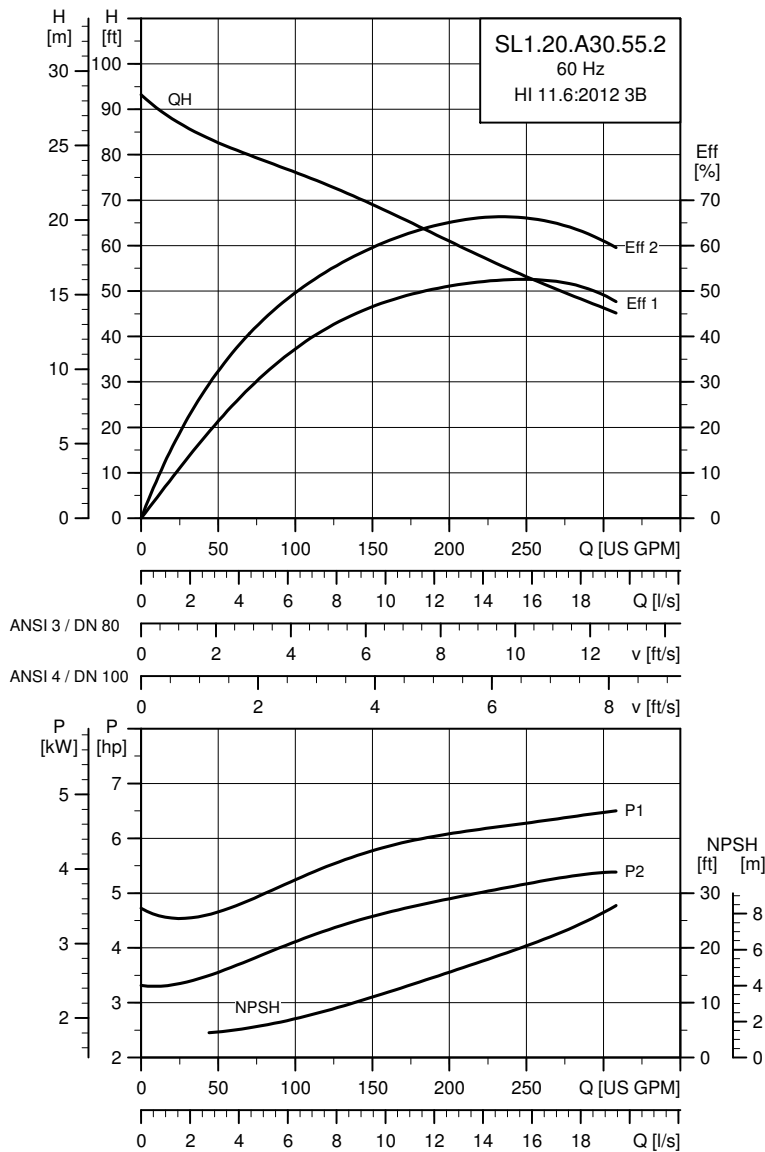
Electrical data

Pump type	Voltage [V]	P1 [hp (kW)]	P2 [hp (kW)]	No. of poles	RPM	Starting method	I_N			I_{start}			$\eta_{motor} [\%]$			$\cos \phi$			SF	Moment of inertia [lb*ft ² (kgm ²)]	Breakdown torque M_{max} [lb*ft (Nm)]
							[A]	[A]	[A]	1/2	3/4	1/1	1/2	3/4	1/1						
60J	3 x 208 V D	5.1 (3.8)	4.0 (3.0)	2	3515	DOL	11.3	98	84.8	86.5	86.5	0.74	0.83	0.87	1.15	0.204 (0.0086)	40.6 (55)				
61R	3 x 230 V D/ 460 V Y	5.1 (3.8)	4.0 (3.0)	2	3515	Y/D	10.8 / 5.7	80 / 60	85.3	85.9	85.5	0.8	0.86	0.89	1.15	0.204 (0.0086)	20.7 (28)				
61L	3 x 575 V D Y/D	5.1 (3.8)	4.0 (3.0)	2	3515	Y/D	4.3	37	84.8	86.5	86.5	0.74	0.83	0.87	1.15	0.204 (0.0086)	40.6 (55)				

Pump data

Weight [lb. (kg)]	Impeller type	Max. solids size [in. (mm)]	Pump housing pressure PN	Max. number of starts per hour	Enclosure class	Insulation class	Temperature rise class	Max. liquid temperature [°F (°C)]	pH
209 (94.8)	S-tube	2 (50)	10	20	IP68	H	A	104 (40)	4-14

Performance curves: SL1.20.A30.55.2---C



TM04 7638 4318

Electrical data

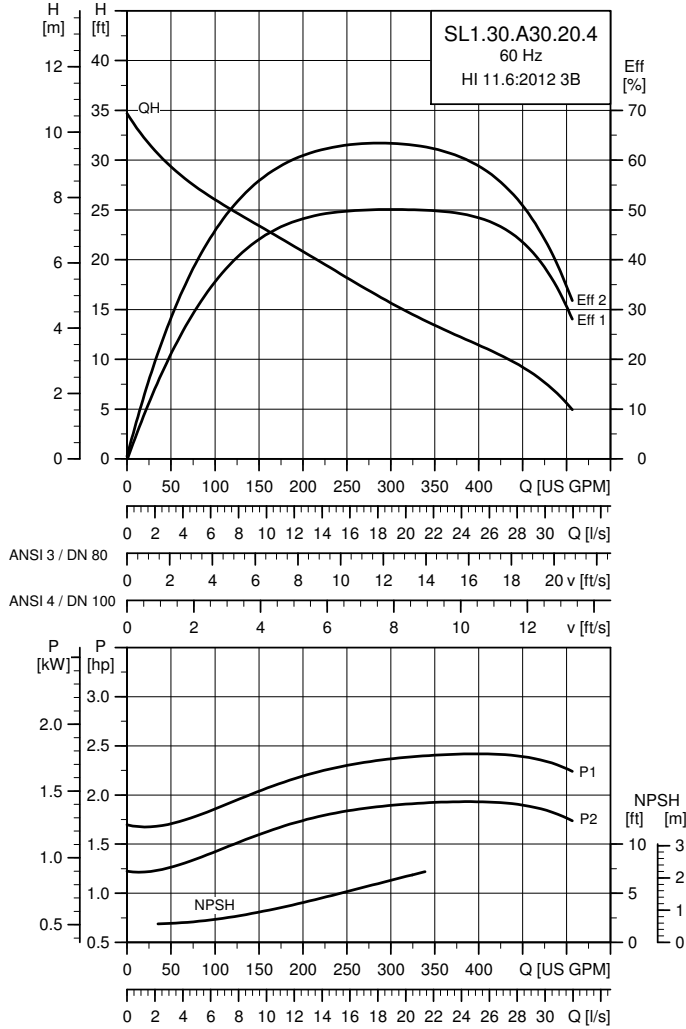
Pump type	Voltage [V]	P1 [hp (kW)]	P2 [hp (kW)]	No. of poles	RPM	Starting method	I_N			I_{start}			$\eta_{motor} [\%]$			$\cos \varphi$			SF	Moment of inertia [lb*ft ² (kgm ²)]	Breakdown torque M_{max} [lb*ft (Nm)]
							[A]	[A]	[A]	1/2	3/4	1/1	1/2	3/4	1/1						
60J	3 x 208 V D	6.7 (5.0)	5.0 (4.0)	2	3535	DOL	15.0	166	82.0	85.0	86.0	0.76	0.84	0.88	1.15	0.204 (0.0086)	41.3 (56)				
61R	3 x 230 V D/ 460 V Y	6.7 (5.0)	5.0 (4.0)	2	3535	Y/D	13.8 / 7.2	120 / 80	82.7	85.4	86.1	0.8	0.87	0.9	1.15	0.204 (0.0086)	28.8 (39)				
61L	3 x 575 V D Y/D	6.8 (5.0)	5.0 (4.0)	2	3535	Y/D	5.7	64	82.0	85.0	86.0	0.76	0.84	0.88	1.15	0.204 (0.0086)	41.3 (56)				

Pump data

Weight [lb. (kg)]	Impeller type	Max. solids size [in. (mm)]	Pump housing pressure PN	Max. number of starts per hour	Enclosure class	Insulation class	Temperature rise class	Max. liquid temperature [°F (°C)]	pH
282 (128)	S-tube	2 (50)	10	20	IP68	H	A	104 (40)	4-14

SL1.30.A30

Performance curves: SL1.30.A30.20.4---C



TM04 7839 4318

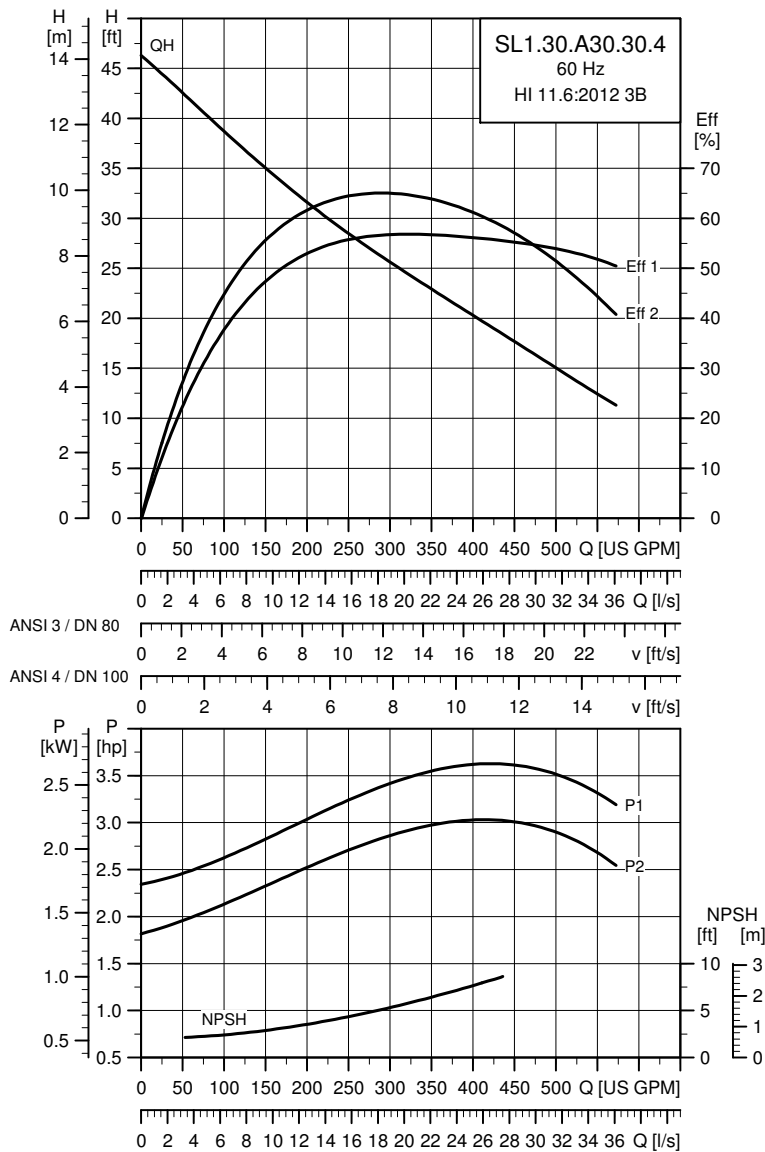
Electrical data

Pump type	Voltage [V]	P1 [hp (kW)]	P2 [hp (kW)]	No. of poles	RPM	Starting method	I _N		η _{motor} [%]			Cos φ			SF	Moment of inertia [lb·ft ² (kgm ²)]	Breakdown torque M _{max} [lb·ft (Nm)]
							[A]	[A]	1/2	3/4	1/1	1/2	3/4	1/1			
60J	3 x 208 V D DOL	2.6 (1.9)	2.0 (1.5)	4	1753	DOL	6.9	53	83.3	85.7	86.0	0.51	0.63	0.72	1.15	0.297 (0.0125)	22.1 (30)
61R	3 x 230 V D/460 V Y	2.6 (1.9)	2.0 (1.5)	4	1753	Y/D	6.3 / 3.6	40 / 30	84.2	85.7	85.4	0.56	0.69	0.76	1.15	0.297 (0.0125)	18.4 (25)
60L	3 x 575 V D DOL	2.6 (1.9)	2.0 (1.5)	4	1753	DOL	2.6	20	83.3	85.7	86.0	0.51	0.63	0.72	1.15	0.297 (0.0125)	22.1 (30)
61L	3 x 575 V D Y/D	2.6 (1.9)	2.0 (1.5)	4	1753	Y/D	2.6	20	83.3	85.7	86.0	0.51	0.63	0.72	1.15	0.297 (0.0125)	22.1 (30)

Pump data

Weight [lb. (kg)]	Impeller type	Max. solids size [in. (mm)]	Pump housing pressure PN	Max. number of starts per hour	Enclosure class	Insulation class	Temperature rise class	Max. liquid temperature [°F (°C)]	pH
220 (99.9)	S-tube	3 (80)	10	20	IP68	H	A	104 (40)	4-14

Performance curves: SL1.30.A30.30.4---C



TM04 7840 4318

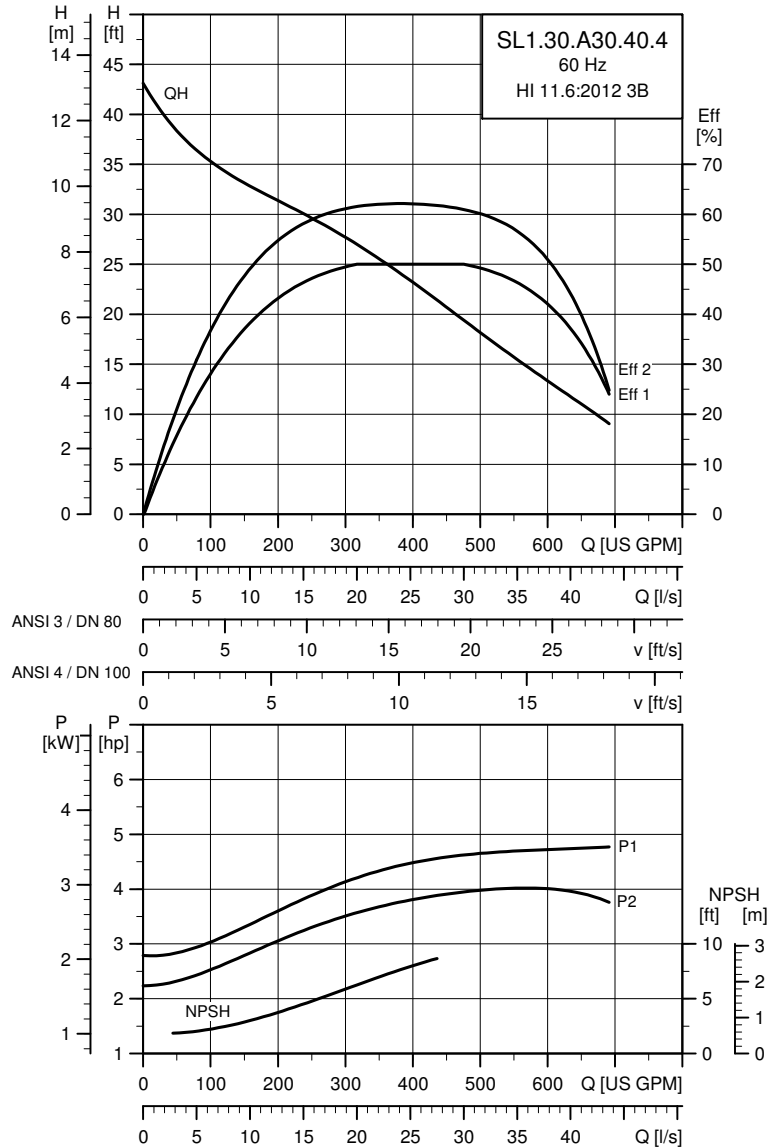
Electrical data

Pump type	Voltage [V]	P1 [hp (kW)]	P2 [hp (kW)]	No. of poles	RPM	Starting method	I_N			I_{start}			$\eta_{motor} [\%]$			$\cos \varphi$			SF	Moment of inertia [lb*ft ² (kgm ²)]	Breakdown torque M_{max} [lb*ft (Nm)]
							[A]	[A]	[A]	1/2	3/4	1/1	1/2	3/4	1/1						
60J	3 x 208 V D	3.7 (2.7)	3.0 (2.2)	4	1763	DOL	9.2	70	84.7	86.6	87.0	0.59	0.70	0.76	1.15	0.297 (0.0125)	26.6 (36)				
61R	3 x 230 V D/ 460 V Y	3.7 (2.7)	3.0 (2.2)	4	1763	Y/D	8.5 / 4.8	40 / 30	85.5	86.6	86.3	0.65	0.75	0.8	1.15	0.297 (0.0125)	26.6 (36)				
61L	3 x 575 V D Y/D	3.7 (2.7)	3.0 (2.2)	4	1763	Y/D	3.5	27	84.7	86.6	87.0	0.59	0.70	0.76	1.15	0.297 (0.0125)	26.6 (36)				

Pump data

Weight [lb. (kg)]	Impeller type	Max. solids size [in. (mm)]	Pump housing pressure PN	Max. number of starts per hour	Enclosure class	Insulation class	Temperature rise class	Max. liquid temperature [°F (°C)]	pH
239 (109)	S-tube	3 (80)	10	20	IP68	H	A	104 (40)	4-14

Performance curves: SL1.30.A30.40.4---C



TM04 7841 4318

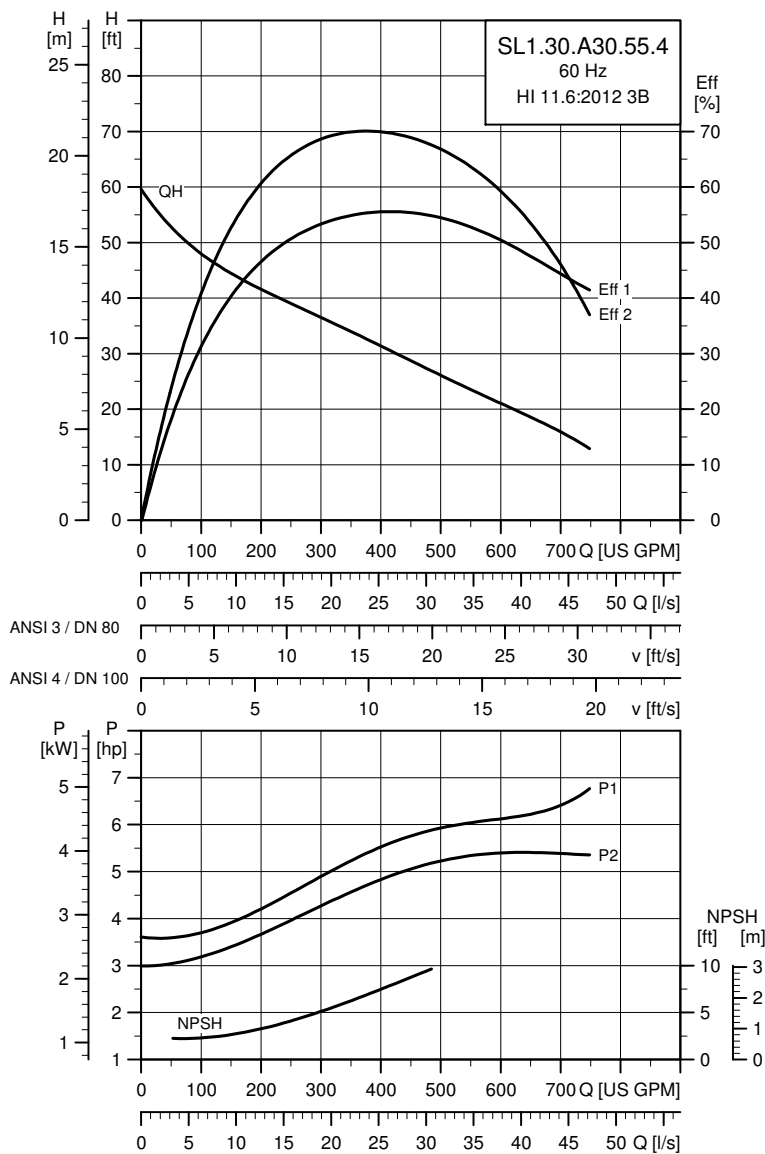
Electrical data

Pump type	Voltage [V]	P1 [hp (kW)]	P2 [hp (kW)]	No. of poles	RPM	Starting method	I_N			I_{start}			$\eta_{motor} [\%]$			$\cos \phi$			SF	Moment of inertia [lb ² ft ² (kgm ²)]	Breakdown torque M_{max} [lbf ² ft (Nm)]
							[A]	[A]	[A]	1/2	3/4	1/1	1/2	3/4	1/1						
60J	3 x 208 D	5.5 (4.0)	4.0 (3.0)	4	1755	DOL	12.2	98	84.6	86.3	86.4	0.63	0.75	0.79	1.15	0.337 (0.0142)	40.6 (55)				
61R	3 x 230 V D/ 460 V Y	5.1 (3.7)	4.0 (3.0)	4	1755	Y/D	11.4 / 6.2	75 / 50	85	86.0	85.6	0.70	0.79	0.82	1.15	0.337 (0.0142)	32.5 (44)				
61L	3 x 575 V D Y/D	5.1 (3.7)	4.0 (3.0)	4	1755	Y/D	4.7	37	84.6	86.3	86.4	0.63	0.75	0.79	1.15	0.337 (0.0142)	40.6 (55)				

Pump data

Weight [lb. (kg)]	Impeller type	Max. solids size [in. (mm)]	Pump housing pressure PN	Max. number of starts per hour	Enclosure class	Insulation class	Temperature rise class	Max. liquid temperature [°F (°C)]	pH
289 (131)	S-tube	3 (80)	10	20	IP68	H	A	104 (40)	4-14

Performance curves: SL1.30.A30.55.4---C



TM04 7842 4318

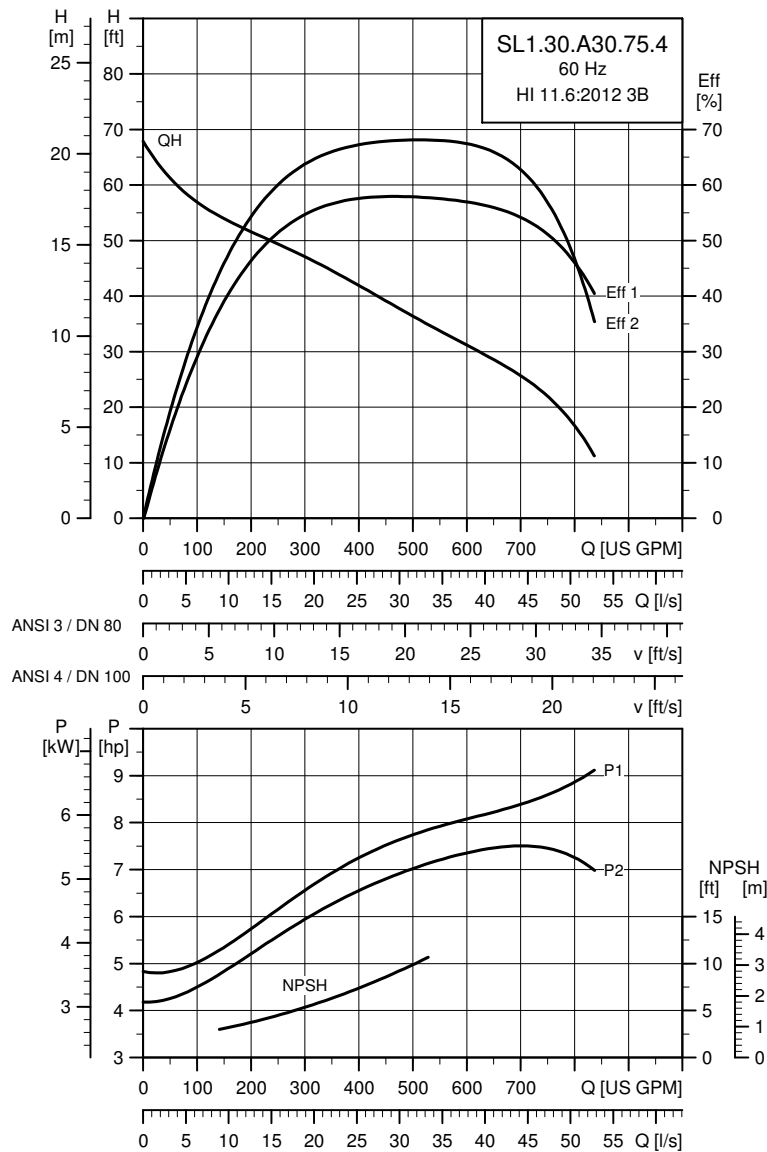
Electrical data

Pump type	Voltage [V]	P1 [hp (kW)]	P2 [hp (kW)]	No. of poles	RPM	Starting method	I_N			I_{start}			$\eta_{motor} [\%]$			$\cos \varphi$			SF	Moment of inertia [lb*ft ² (kgm ²)]	Breakdown torque M_{max} [lb*ft (Nm)]
							[A]	[A]	[A]	1/2	3/4	1/1	1/2	3/4	1/1						
60J	3 x 208 V D	6.5 (4.8)	5.5 (4.0)	4	1767	DOL	16.8	133	85.3	87.4	88.2	0.53	0.66	0.74	1.15	0.337 (0.0142)	61.2 (83)				
61R	3 x 230 V D/ 460 V Y	6.5 (4.8)	5.5 (4.0)	4	1767	Y/D	15.4 / 8.6	120 / 80	86.2	87.8	87.8	0.59	0.70	0.78	1.15	0.337 (0.0142)	48.7 (66)				
61L	3 x 575 V D Y/D	6.5 (4.8)	5.5 (4.0)	4	1767	Y/D	6.4	51	85.3	87.4	88.2	0.53	0.66	0.74	1.15	0.337 (0.0142)	61.2 (83)				

Pump data

Weight [lb. (kg)]	Impeller type	Max. solids size [in. (mm)]	Pump housing pressure PN	Max. number of starts per hour	Enclosure class	Insulation class	Temperature rise class	Max. liquid temperature [°F (°C)]	pH
319 (145)	S-tube	3 (80)	10	20	IP68	H	A	104 (40)	4-14

Performance curves: SL1.30.A30.75.4---C



TM04 7843 4318

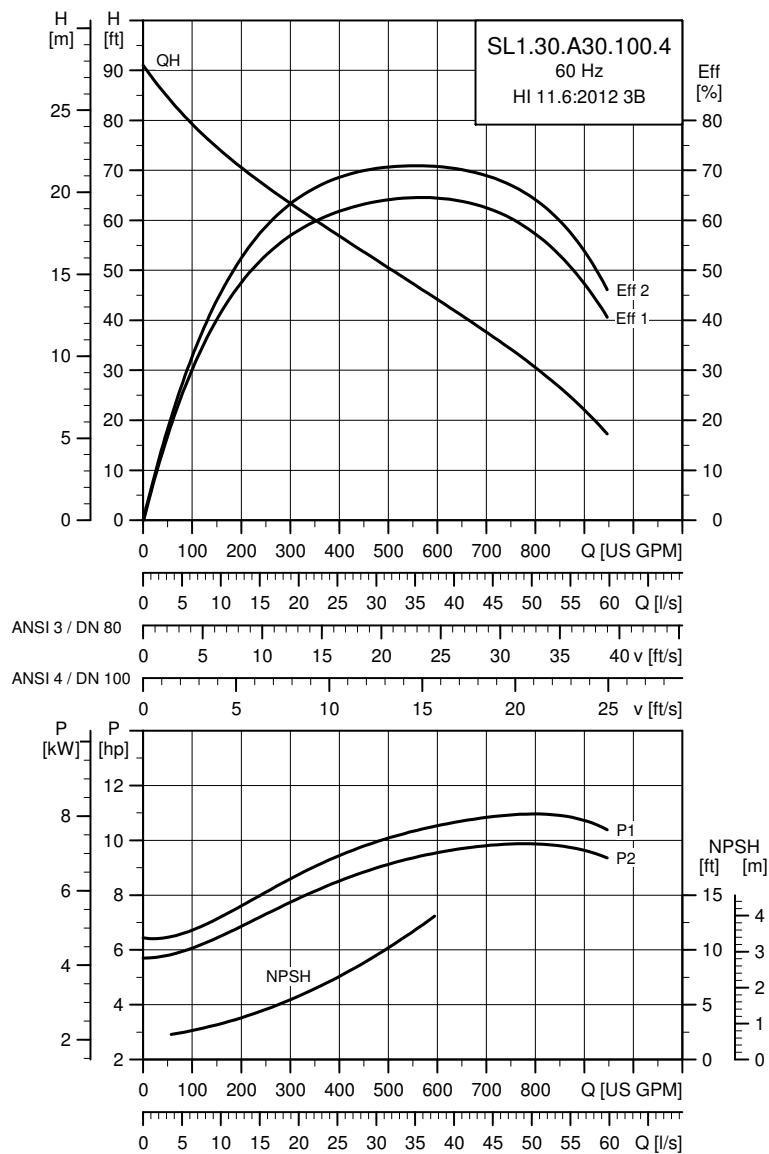
Electrical data

Pump type	Voltage [V]	P1 [hp (kW)]	P2 [hp (kW)]	No. of poles	RPM	Starting method	I_N			I_{start}			$\eta_{motor} [\%]$			$\cos \phi$			SF	Moment of inertia [lb ² ft ² (kgm ²)]	Breakdown torque M_{max} [lbf ² ft (Nm)]
							[A]	[A]	[A]	1/2	3/4	1/1	1/2	3/4	1/1						
60J	3 x 208 V D	8.5 (6.3)	7.4 (5.5)	4	1765	DOL	19.3	149	88.9	90.0	89.6	0.73	0.81	0.86	1.15	0.643 (0.0271)	73.0 (99)				
61R	3 x 230 V D / 460 V Y	8.7 (6.4)	7.4 (5.5)	4	1765	Y/D	18.3 / 9.6	120 / 80	88.2	90.0	88.9	0.77	0.84	0.87	1.15	0.643 (0.0271)	60.5 (82)				
61L	3 x 575 V D Y/D	8.7 (6.4)	7.4 (5.5)	4	1765	Y/D	7.4	57	88.9	90.0	89.6	0.73	0.81	0.86	1.15	0.643 (0.0271)	73.0 (99)				

Pump data

Weight [lb. (kg)]	Impeller type	Max. solids size [in. (mm)]	Pump housing pressure PN	Max. number of starts per hour	Enclosure class	Insulation class	Temperature rise class	Max. liquid temperature [°F (°C)]	pH
342 (155)	S-tube	3 (80)	10	20	IP68	H	A	104 (40)	4-14

Performance curves: SL1.30.A30.100.4---C



TM04 7844 4318

Electrical data

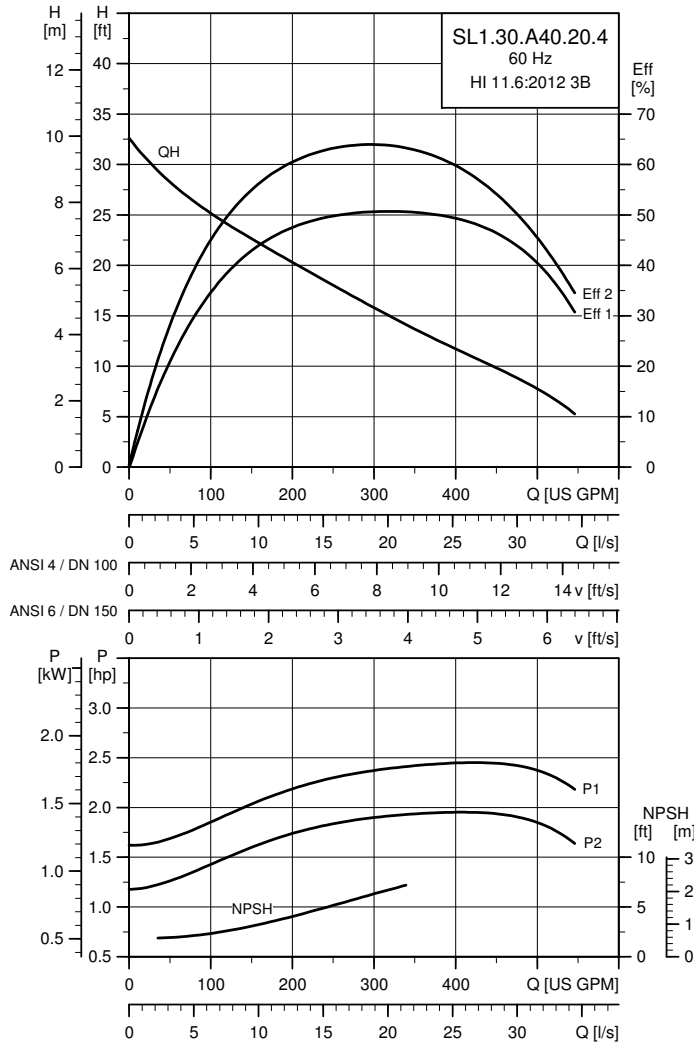
Pump type	Voltage [V]	P1 [Hphp (kW)]	P2 [hp (kW)]	No. of poles	RPM	Starting method	I_N			I_{start}			$\eta_{motor} [\%]$			$\cos \phi$			SF	Moment of inertia [lb*ft ² (kgm ²)]	Breakdown torque M_{max} [lbf*ft (Nm)]
							[A]	[A]	[A]	1/2	3/4	1/1	1/2	3/4	1/1						
60J	3 x 208 V D	11.4 (8.4)	10.0 (7.5)	4	1766	DOL	26.1	205	91.0	91.4	91.0	0.71	0.81	0.85	1.15	0.643 (0.0271)	118 (160)				
61R	3 x 230 V D/ 460 V Y	11.6 (8.6)	10.0 (7.5)	4	1766	Y/D	24.5 / 13.1	160 / 110	90.9	91.1	90.3	0.75	0.84	0.87	1.15	0.643 (0.0271)	81.1 (110)				
61L	3 x 575 V D Y/D	11.6 (8.6)	10.0 (7.5)	4	1766	Y/D	10.0	79	91.0	91.4	91.0	0.71	0.81	0.85	1.15	0.643 (0.0271)	118 (160)				

Pump data

Weight [lb. (kg)]	Impeller type	Max. solids size [in. (mm)]	Pump housing pressure PN	Max. number of starts per hour	Enclosure class	Insulation class	Temperature rise class	Max. liquid temperature [°F (°C)]	pH
419 (190)	S-tube	3 (80)	10	20	IP68	H	A	104 (40)	4-14

SL1.30.A40

Performance curves: SL1.30.A40.20.4---C



TM04 7845 4318

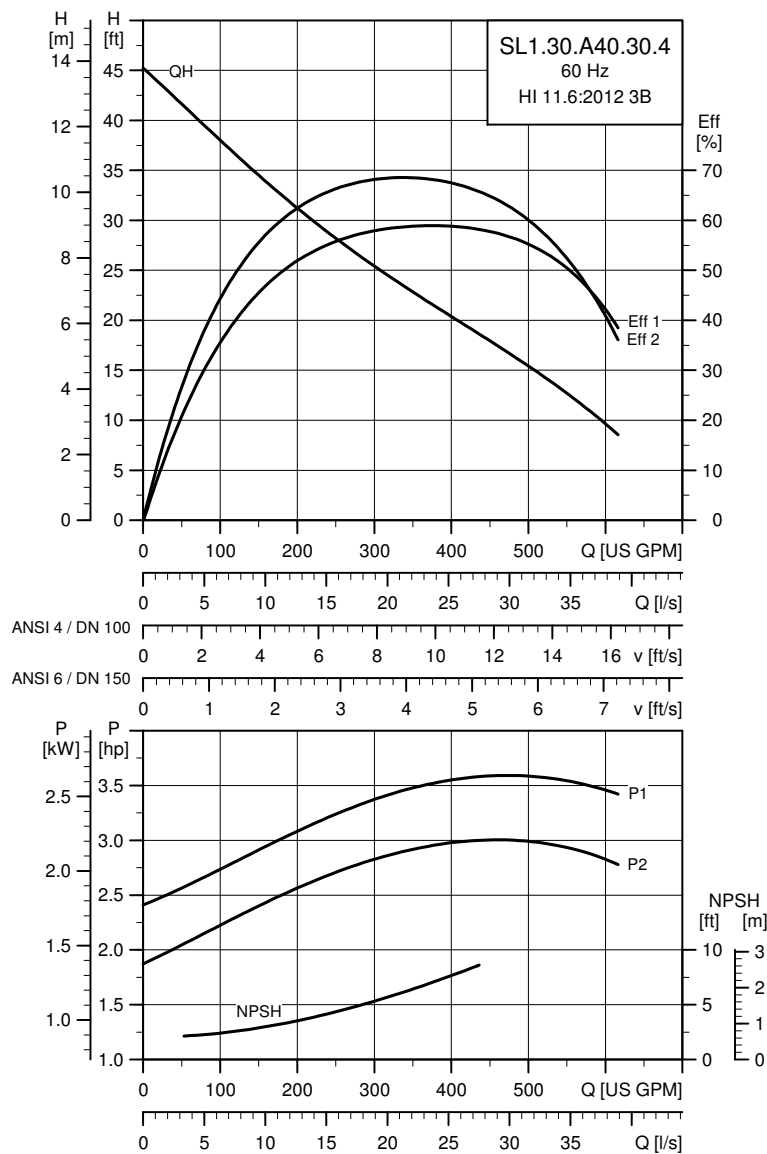
Electrical data

Pump type	Voltage [V]	P1 [hp (kW)]	P2 [hp (kW)]	No. of poles	RPM	Starting method	I_N			I_{start}			$\eta_{motor} [\%]$			$\cos \phi$			SF	Moment of inertia [lb·ft ² (kgm ²)]	Breakdown torque M_{max} [lb·ft (Nm)]
							[A]	[A]	[A]	1/2	3/4	1/1	1/2	3/4	1/1						
60J	3 x 208 V D DOL	2.6 (1.9)	2.0 (1.5)	4	1753	DOL	6.9	53	83.3	85.7	86.0	0.51	0.63	0.72	1.15	0.361 (0.0152)	22.1 (30)				
61R	3 x 230 V D / 460 V Y	2.6 (1.9)	2.0 (1.5)	4	1753	Y/D	6.3 / 3.6	40 / 30	84.2	85.7	85.4	0.56	0.69	0.76	1.15	0.361 (0.0152)	18.4 (25)				
60L	3 x 575 V D DOL	2.6 (1.9)	2.0 (1.5)	4	1753	DOL	2.6	20	83.3	85.7	86.0	0.51	0.63	0.72	1.15	0.361 (0.0152)	22.1 (30)				
61L	3 x 575 V D Y/D	2.6 (1.9)	2.0 (1.5)	4	1753	Y/D	2.6	20	83.3	85.7	86.0	0.51	0.63	0.72	1.15	0.361 (0.0152)	22.1 (30)				

Pump data

Weight [lb. (kg)]	Impeller type	Max. solids size [in. (mm)]	Pump housing pressure PN	Max. number of starts per hour	Enclosure class	Insulation class	Temperature rise class	Max. liquid temperature [°F (°C)]	pH
223 (101)	S-tube	3 (80)	10	20	IP68	H	A	104 (40)	4-14

Performance curves: SL1.30.A40.30.4---C



TM04 7846 4318

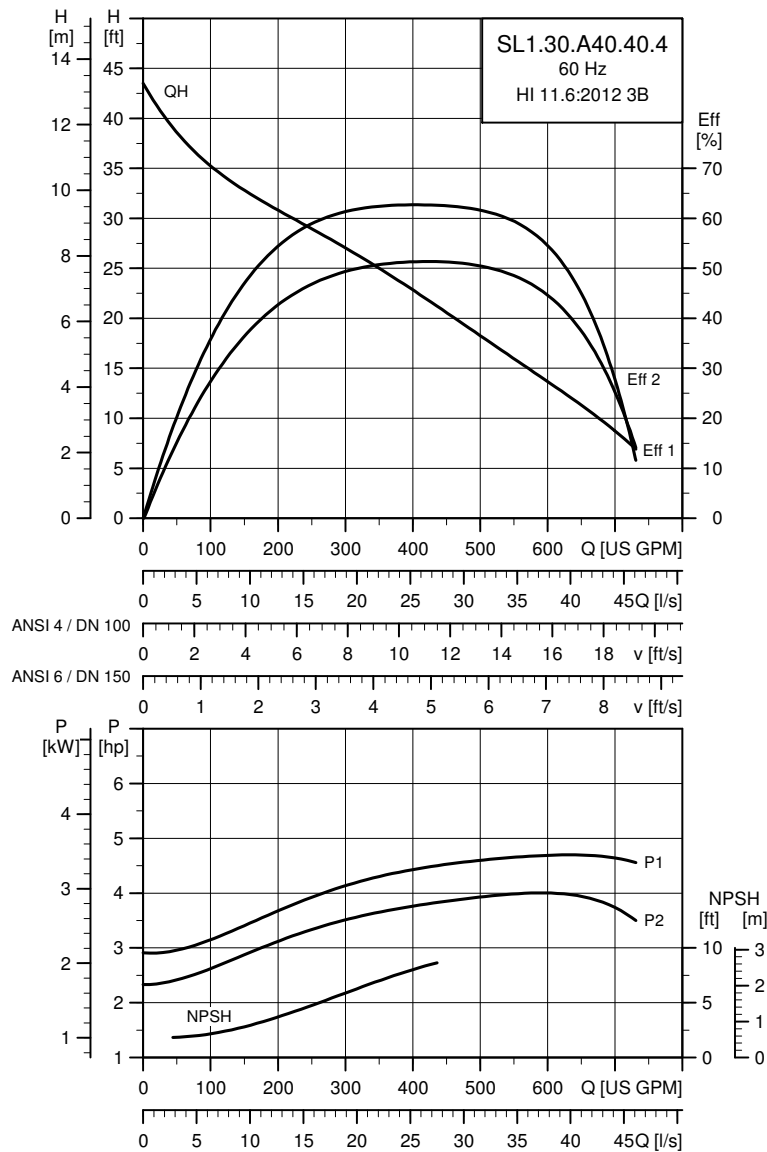
Electrical data

Pump type	Voltage [V]	P1 [hp (kW)]	P2 [hp (kW)]	No. of poles	RPM	Starting method	I_N			I_{start}			$\eta_{motor} [\%]$			$\cos \phi$			SF	Moment of inertia [lb ² ft ² (kgm ²)]	Breakdown torque M_{max} [lbf ² ft (Nm)]
							[A]	[A]	[A]	1/2	3/4	1/1	1/2	3/4	1/1						
60J	3 x 208 V D	3.7 (2.7)	3.0 (2.2)	4	1763	DOL	9.2	70	84.7	86.6	87.0	0.59	0.70	0.76	1.15	0.361 (0.0152)	26.6 (36)				
61R	3 x 230 V D/ 460 V Y	3.7 (2.7)	3.0 (2.2)	4	1763	Y/D	8.5 / 4.8	40 / 30	85.5	86.6	86.3	0.65	0.75	0.80	1.15	0.361 (0.0152)	26.6 (36)				
61L	3 x 575 V D Y/D	3.7 (2.7)	3.0 (2.2)	4	1763	Y/D	3.5	27	84.7	86.6	87.0	0.59	0.70	0.76	1.15	0.361 (0.0152)	26.6 (36)				

Pump data

Weight [lb. (kg)]	Impeller type	Max. solids size [in. (mm)]	Pump housing pressure PN	Max. number of starts per hour	Enclosure class	Insulation class	Temperature rise class	Max. liquid temperature [°F (°C)]	pH
242 (110)	S-tube	3 (80)	10	20	IP68	H	A	104 (40)	4-14

Performance curves: SL1.30.A40.40.4---C



TM04 7847 4318

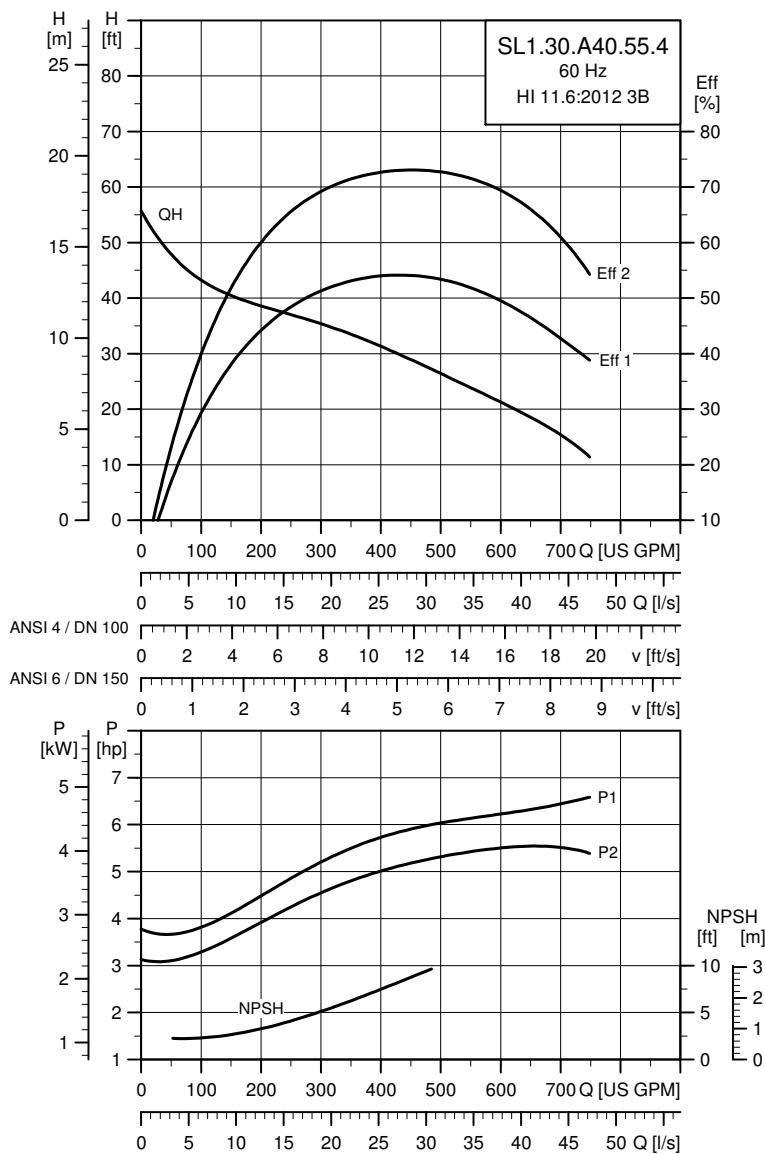
Electrical data

Pump type	Voltage [V]	P1 [hp (kW)]	P2 [hp (kW)]	No. of poles	RPM	Starting method	I_N			I_{start}			$\eta_{motor} [\%]$			$\cos \phi$			SF	Moment of inertia [lb ² ft ² (kgm ²)]	Breakdown torque M_{max} [lbf ² ft (Nm)]
							[A]	[A]	[A]	1/2	3/4	1/1	1/2	3/4	1/1						
60J	3 x 208 V D	5.5 (4.0)	4.0 (3.0)	4	1755	DOL	12.2	98	84.6	86.3	86.4	0.63	0.75	0.79	1.15	0.956 (0.0403)	40.6 (55)				
61R	3 x 230 V D/ 460 V Y	5.1 (3.7)	4.0 (3.0)	4	1755	Y/D	11.4 / 6.2	75 / 50	85.0	86.0	85.6	0.70	0.79	0.82	1.15	0.956 (0.0403)	32.5 (44)				
61L	3 x 575 V D Y/D	5.1 (3.7)	4.0 (3.0)	4	1755	Y/D	4.7	37	84.6	86.3	86.4	0.63	0.75	0.79	1.15	0.956 (0.0403)	40.6 (55)				

Pump data

Weight [lb. (kg)]	Impeller type	Max. solids size [in. (mm)]	Pump housing pressure PN	Max. number of starts per hour	Enclosure class	Insulation class	Temperature rise class	Max. liquid temperature [°F (°C)]	pH
291 (132)	S-tube	3 (80)	10	20	IP68	H	A	104 (40)	4-14

Performance curves: SL1.30.A40.55.4---C



TM04 7848 4318

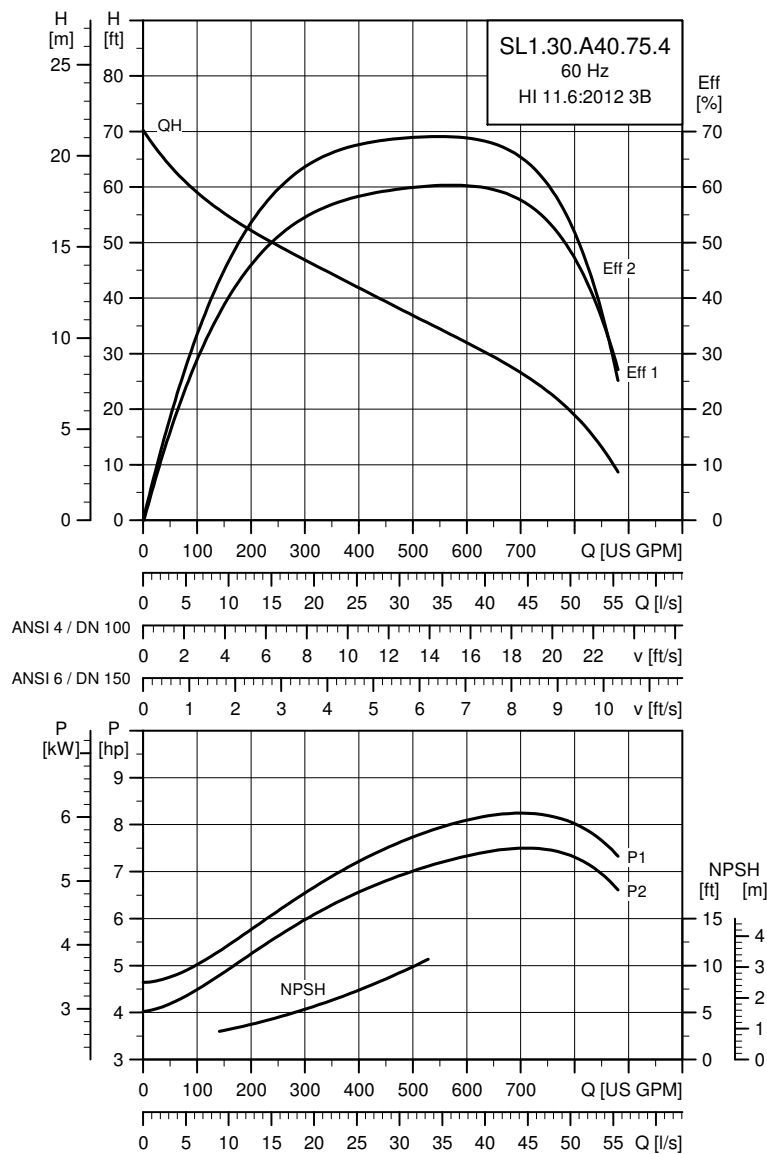
Electrical data

Pump type	Voltage [V]	P1 [hp (kW)]	P2 [hp (kW)]	No. of poles	RPM	Starting method	I_N			I_{start}			$\eta_{motor} [\%]$			$\cos \varphi$			SF	Moment of inertia [lb*ft ² (kgm ²)]	Breakdown torque M_{max} [lb*ft (Nm)]
							[A]	[A]	[A]	1/2	3/4	1/1	1/2	3/4	1/1						
60J	3 x 208 V D	6.5 (4.8)	5.5 (4.0)	4	1767	DOL	16.8	133	85.3	87.4	88.2	0.53	0.66	0.74	1.15	0.956 (0.0403)	61.2 (83)				
61R	3 x 230 V D/ 460 V Y	6.5 (4.8)	5.5 (4.0)	4	1767	Y/D	15.4 / 8.6	120 / 80	86.2	87.8	87.8	0.59	0.70	0.78	1.15	0.956 (0.0403)	48.7 (66)				
61L	3 x 575 V D Y/D	6.5 (4.8)	5.5 (4.0)	4	1767	Y/D	6.4	51	85.3	87.4	88.2	0.53	0.66	0.74	1.15	0.956 (0.0403)	61.2 (83)				

Pump data

Weight [lb. (kg)]	Impeller type	Max. solids size [in. (mm)]	Pump housing pressure PN	Max. number of starts per hour	Enclosure class	Insulation class	Temperature rise class	Max. liquid temperature [°F (°C)]	pH
321 (145)	S-tube	3 (80)	10	20	IP68	H	A	104 (40)	4-14

Performance curves: SL1.30.A40.75.4---C



TM04 7849 4318

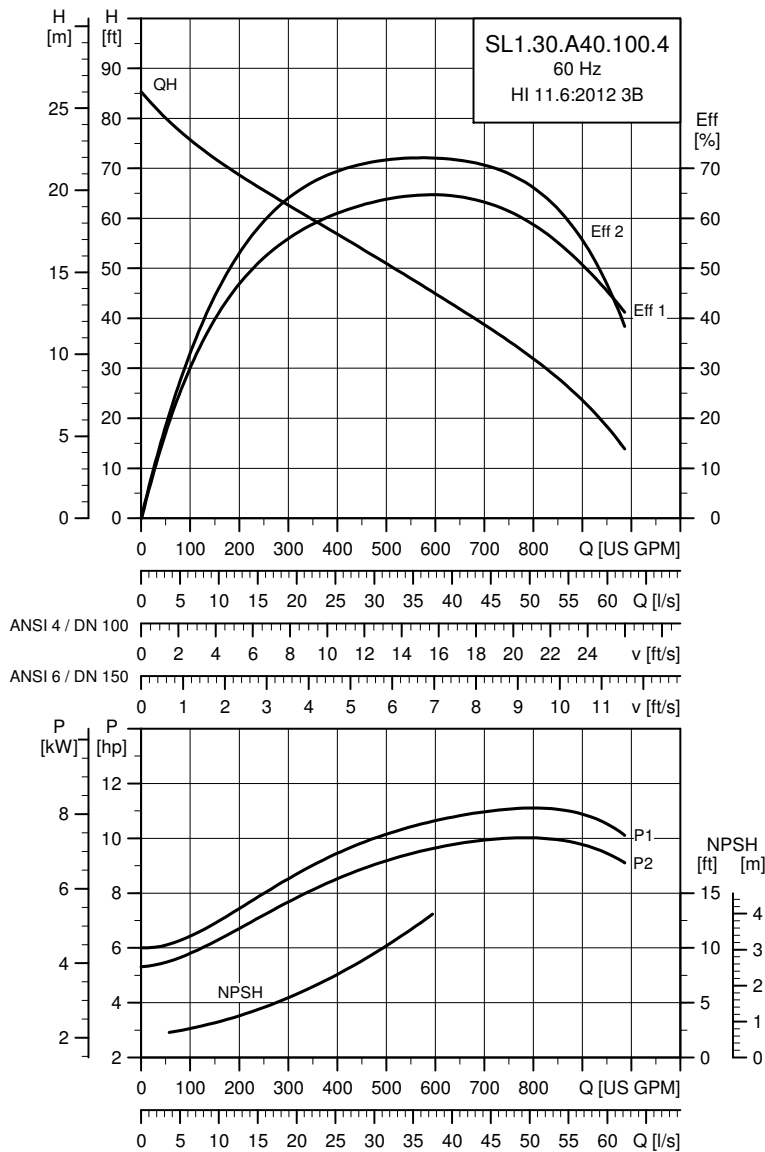
Electrical data

Pump type	Voltage [V]	P1 [hp (kW)]	P2 [hp (kW)]	No. of poles	RPM	Starting method	I_N			I_{start}			$\eta_{motor} [\%]$			$\cos \varphi$			SF	Moment of inertia [lb ² ft ² (kgm ²)]	Breakdown torque M_{max} [lb ² ft (Nm)]
							[A]	[A]	[A]	1/2	3/4	1/1	1/2	3/4	1/1						
60J	3 x 208 V D	8.5 (6.3)	7.5 (5.5)	4	1765	DOL	19.3	149	88.9	90.0	89.6	0.73	0.81	0.86	1.15	0.482 (0.0203)	73 (99)				
61R	3 x 230 V D / 460 V	8.7 (6.4)	7.5 (5.5)	4	1765	Y/D	18.3 / 9.6	120 / 80	89.2	90.0	88.9	0.77	0.84	0.87	1.15	0.482 (0.0203)	60.5 (82)				
61L	3 x 575 V D Y/D	8.7 (6.4)	7.5 (5.5)	4	1765	Y/D	7.4	57	88.9	90.0	89.6	0.73	0.81	0.86	1.15	0.482 (0.0203)	73 (99)				

Pump data

Weight [lb. (kg)]	Impeller type	Max. solids size [in. (mm)]	Pump housing pressure PN	Max. number of starts per hour	Enclosure class	Insulation class	Temperature rise class	Max. liquid temperature [°F (°C)]	pH
344 (156)	S-tube	3 (80)	10	20	IP68	H	A	104 (40)	4-14

Performance curves: SL1.30.A40.100.4---C



TM04 7850 4318

Electrical data

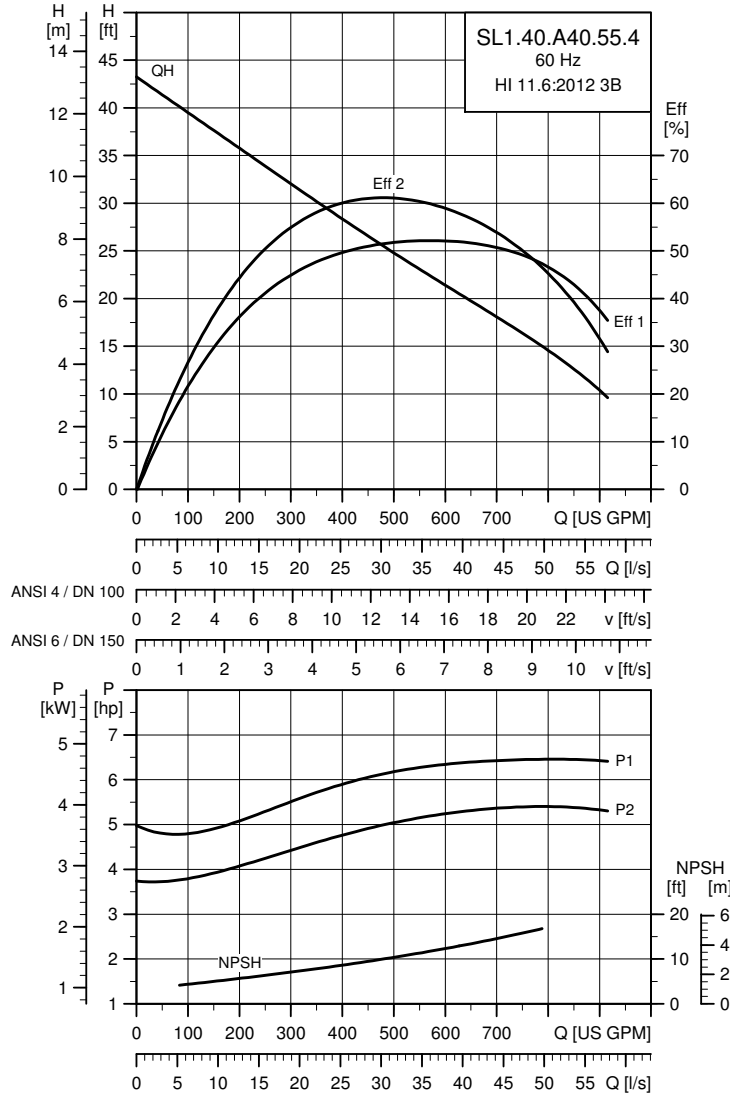
Pump type	Voltage [V]	P1 [hp (kW)]	P2 [hp (kW)]	No. of poles	RPM	Starting method	I_N		η_{motor} [%]			$\cos \phi$			SF	Moment of inertia [lb*ft ² (kgm ²)]	Breakdown torque M_{max} [lb*ft (Nm)]
							[A]	[A]	1/2	3/4	1/1	1/2	3/4	1/1			
60J	3 x 208 V D	11.4 (8.4)	10.0 (7.5)	4	1766	DOL	26.1	205	91.0	91.4	91.0	0.71	0.81	0.85	1.15	0.458 (0.0193)	118 (160)
61R	3 x 230 V D/ 460 V Y	11.6 (8.6)	10.0 (7.5)	4	1766	Y/D	24.5 / 13.1	160 / 110	90.9	91.1	90.3	0.75	0.84	0.87	1.15	0.458 (0.0193)	81.1 (110)
61L	3 x 575 V D Y/D	11.6 (8.6)	10.0 (7.5)	4	1766	Y/D	10.0	79	91.0	91.4	91.0	0.71	0.81	0.85	1.15	0.458 (0.0193)	118 (160)

Pump data

Weight [lb. (kg)]	Impeller type	Max. solids size [in. (mm)]	Pump housing pressure PN	Max. number of starts per hour	Enclosure class	Insulation class	Temperature rise class	Max. liquid temperature [°F (°C)]	pH
421 (191)	S-tube	3 (80)	10	20	IP68	H	A	104 (40)	4-14

SL1.40.A40

Performance curves: SL1.40.A40.55.4---C



TM04 7851 4318

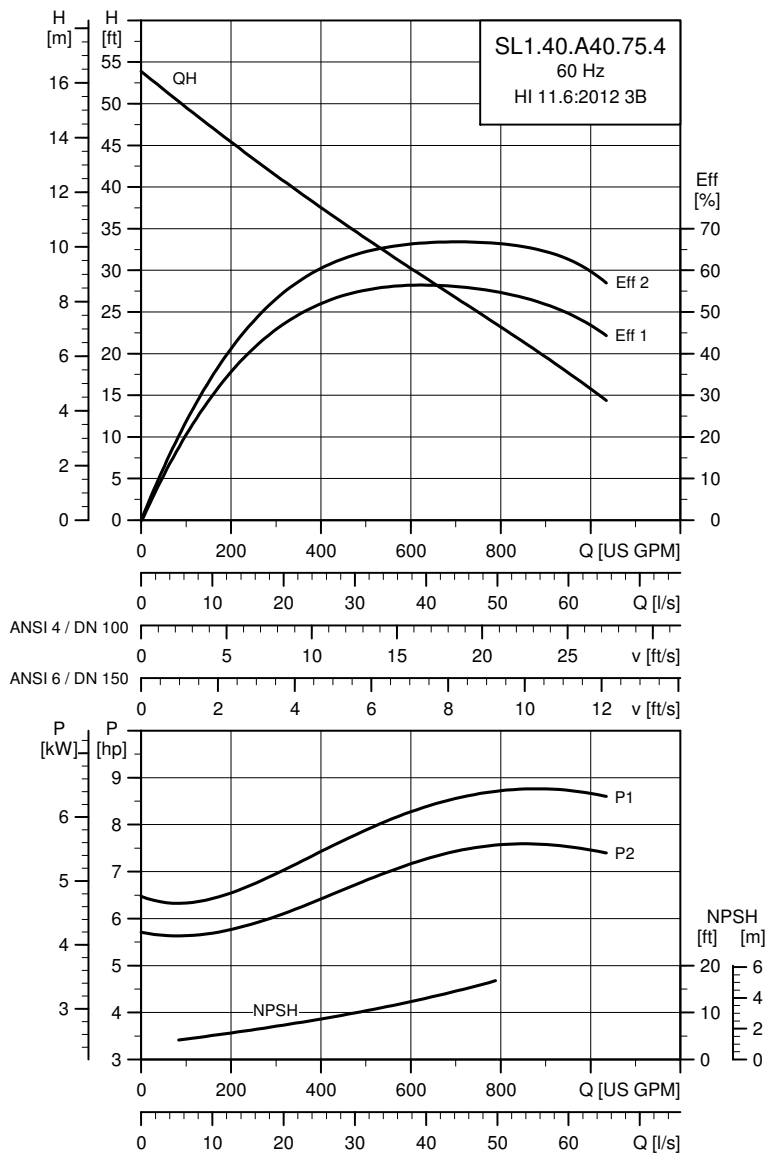
Electrical data

Pump type	Voltage [V]	P1 [hp (kW)]	P2 [hp (kW)]	No. of poles	RPM	Starting method	I_N			I_{start}			$\eta_{motor} [\%]$			$\cos \phi$			SF	Moment of inertia [lb ² ft ² (kgm ²)]	Breakdown torque M_{max} [lb ² ft (Nm)]
							[A]	[A]	[A]	1/2	3/4	1/1	1/2	3/4	1/1						
60J	3 x 208 V D	6.5 (4.8)	5.5 (4.0)	4	1767	DOL	16.8	133	85.3	87.4	88.2	0.53	0.66	0.74	1.15	1.4 (0.0590)	61.2 (83)				
61R	3 x 230 V D/ 460 V Y	6.5 (4.8)	5.5 (4.0)	4	1767	Y/D	15.4 / 8.6	120 / 80	86.2	87.8	87.8	0.59	0.70	0.78	1.15	1.4 (0.0590)	48.7 (66)				
61L	3 x 575 V D Y/D	6.5 (4.8)	5.5 (4.0)	4	1767	Y/D	6.4	51	85.3	87.4	88.2	0.53	0.66	0.74	1.15	1.4 (0.0590)	61.2 (83)				

Pump data

Weight [lb. (kg)]	Impeller type	Max. solids size [in. (mm)]	Pump housing pressure PN	Max. number of starts per hour	Enclosure class	Insulation class	Temperature rise class	Max. liquid temperature [°F (°C)]	pH
332 (151)	S-tube	4 (100)	10	20	IP68	H	A	104 (40)	4-14

Performance curves: SL1.40.A40.75.4---C



TM04 7852 4318

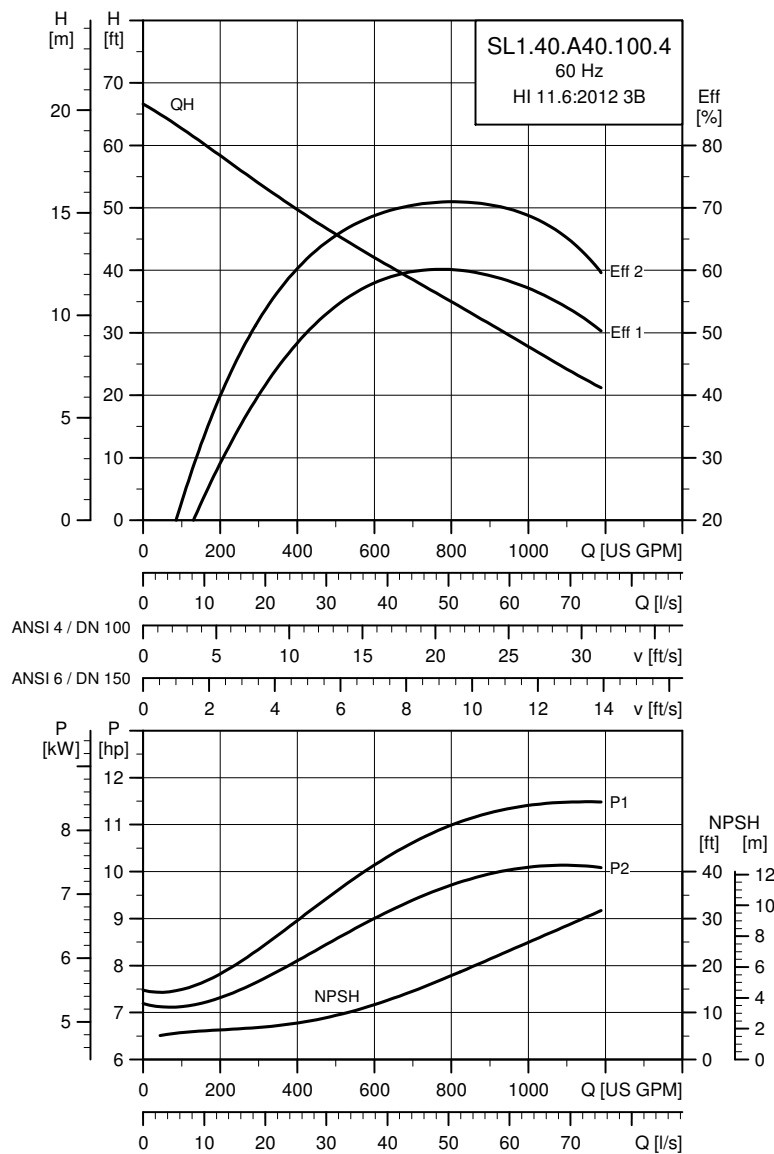
Electrical data

Pump type	Voltage [V]	P1 [hp (kW)]	P2 [hp (kW)]	No. of poles	RPM	Starting method	I_N			I_{start}			$\eta_{motor} [\%]$			$\cos \varphi$			SF	Moment of inertia [lb ² ft ² (kgm ²)]	Breakdown torque M_{max} [lbf ² ft (Nm)]
							[A]	[A]	[A]	[A]	[A]	[A]	[A]	[A]	[A]	[A]	[A]	[A]			
60J	3 x 208 V D	8.5 (6.3)	7.5 (5.5)	4	1765	DOL	19.3	149	88.9	90.0	89.6	0.73	0.81	0.86	1.15	1.4 (0.0590)	73 (99)				
61R	3 x 230 V D/ 460 V Y	8.7 (6.4)	7.5 (5.5)	4	1765	Y/D	18.3 / 9.6	120 / 80	89.2	90.0	88.9	0.77	0.84	0.87	1.15	1.4 (0.0590)	60.5 (82)				
61L	3 x 575 V D Y/D	8.7 (6.4)	7.5 (5.5)	4	1765	Y/D	7.4	57	88.9	90.0	89.6	0.73	0.81	0.86	1.15	1.4 (0.0590)	73 (99)				

Pump data

Weight [lb. (kg)]	Impeller type	Max. solids size [in. (mm)]	Pump housing pressure PN	Max. number of starts per hour	Enclosure class	Insulation class	Temperature rise class	Max. liquid temperature [°F (°C)]	pH
357 (162)	S-tube	4 (100)	10	20	IP68	H	A	104 (40)	4-14

Performance curves: SL1.40.A40.100.4---C



TM04 7853 4318

Electrical data

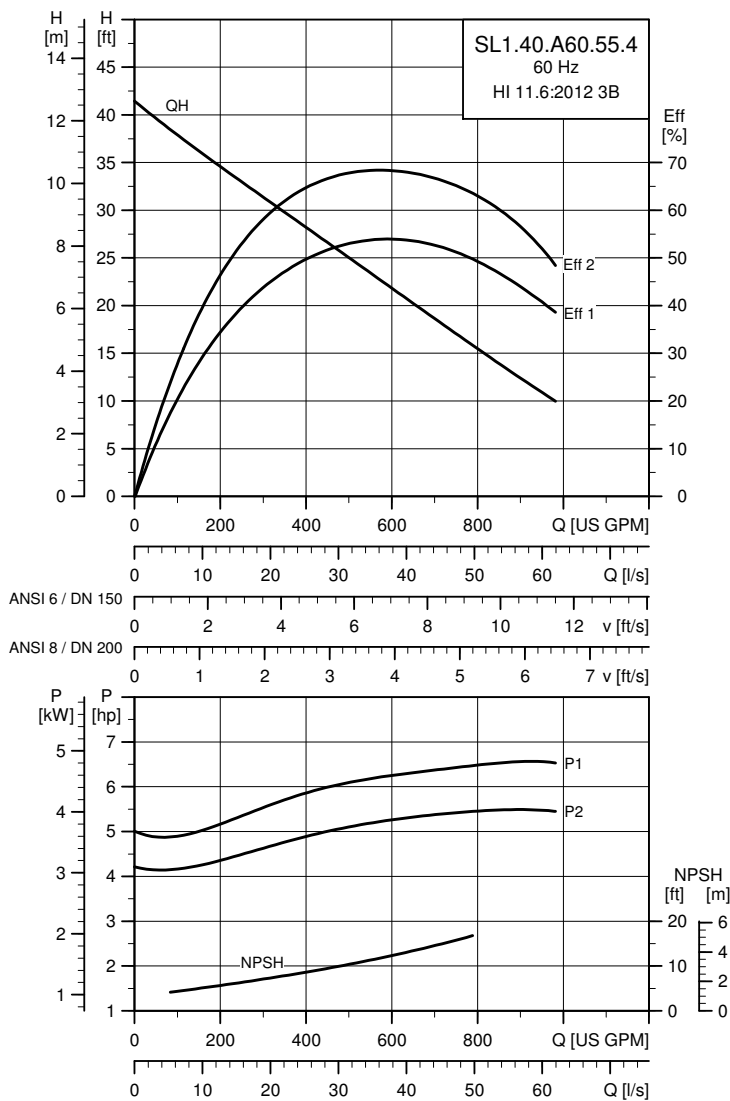
Pump type	Voltage [V]	P1 [hp (kW)]	P2 [hp (kW)]	No. of poles	RPM	Starting method	I_N			I_{start}			$\eta_{motor} [\%]$			$\cos \phi$			SF	Moment of inertia [lb*ft ² (kgm ²)]	Breakdown torque M_{max} [lb*ft (Nm)]
							[A]	[A]	[A]	1/2	3/4	1/1	1/2	3/4	1/1						
60J	3 x 208 V D	11.4 (8.4)	10.0 (7.5)	4	1766	DOL	26.1	205	91.0	91.4	91.0	0.71	0.81	0.85	1.15	1.163 (0.0490)	118 (160)				
61R	3 x 230 V D/ 460 V Y	11.6 (8.6)	10.0 (7.5)	4	1766	Y/D	24.5 / 13.1	160 / 110	90.9	91.1	90.3	0.75	0.84	0.87	1.15	1.163 (0.0490)	81.1 (110)				
61L	3 x 575 V D Y/D	11.6 (8.6)	10.0 (7.5)	4	1766	Y/D	10.0	79	91.0	91.4	91.0	0.71	0.81	0.85	1.15	1.163 (0.0490)	118 (160)				

Pump data

Weight [lb. (kg)]	Impeller type	Max. solids size [in. (mm)]	Pump housing pressure PN	Max. number of starts per hour	Enclosure class	Insulation class	Temperature rise class	Max. liquid temperature [°F (°C)]	pH
416 (189)	S-tube	4 (100)	10	20	IP68	H	A	104 (40)	4-14

SL1.40.A60

Performance curves: SL1.40.A60.55.4---C



TM04 7854 4318

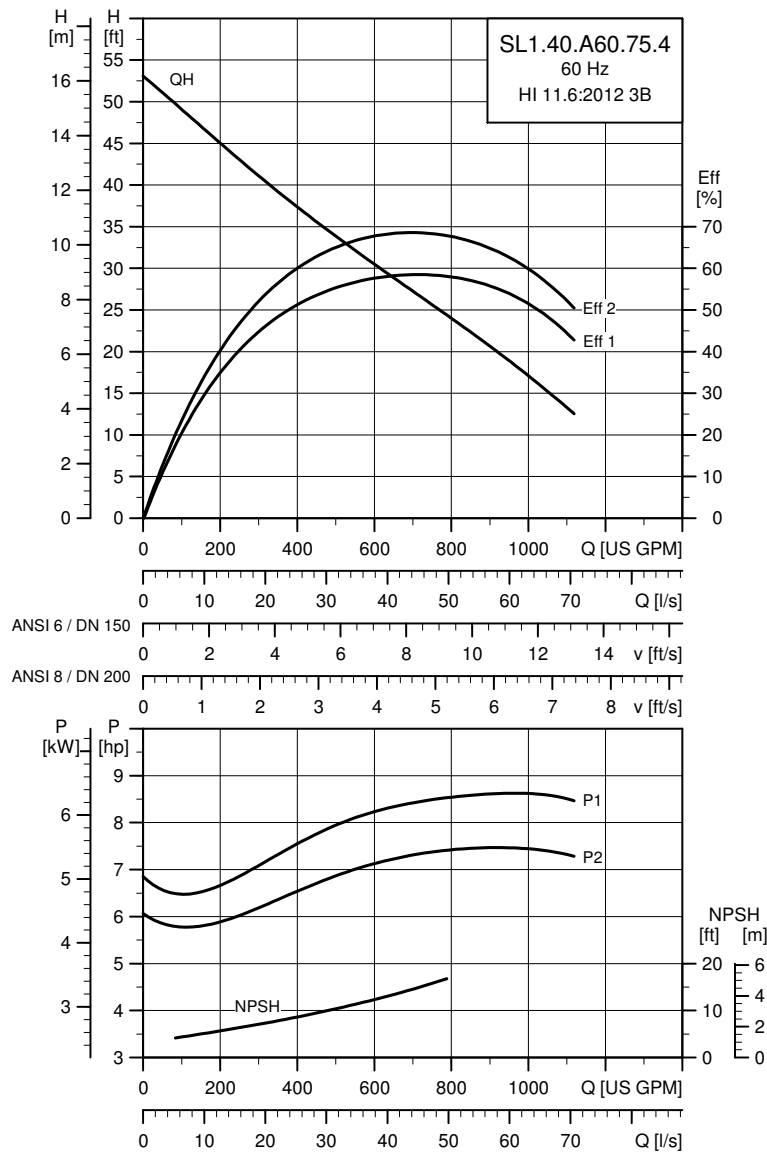
Electrical data

Pump type	Voltage [V]	P1 [hp (kW)]	P2 [hp (kW)]	No. of poles	RPM	Starting method	I_N			I_{start}			$\eta_{motor} [\%]$			$\cos \phi$			SF	Moment of inertia [lb ² ft ² (kgm ²)]	Breakdown torque M_{max} [lbf ² ft (Nm)]
							[A]	[A]	[A]	1/2	3/4	1/1	1/2	3/4	1/1						
60J	3 x 208 V D	6.5 (4.8)	5.5 (4.0)	4	1767	DOL	16.8	133	85.3	87.4	88.2	0.53	0.66	0.74	1.15	1.692 (0.0713)	61.2 (83)				
61R	3 x 230 V D/ 460 V Y	6.5 (4.8)	5.5 (4.0)	4	1767	Y/D	15.4 / 8.6	120 / 80	86.2	87.8	87.8	0.59	0.70	0.78	1.15	1.692 (0.0713)	48.7 (66)				
61L	3 x 575 V D Y/D	6.5 (4.8)	5.5 (4.0)	4	1767	Y/D	6.4	51	85.3	87.4	88.2	0.53	0.66	0.74	1.15	1.692 (0.0713)	61.2 (83)				

Pump data

Weight [lb. (kg)]	Impeller type	Max. solids size [in. (mm)]	Pump housing pressure PN	Max. number of starts per hour	Enclosure class	Insulation class	Temperature rise class	Max. liquid temperature [°F (°C)]	pH
339 (154)	S-tube	4 (100)	10	20	IP68	H	A	104 (40)	4-14

Performance curves: SL1.40.A60.75.4---C



TM04 7855 4318

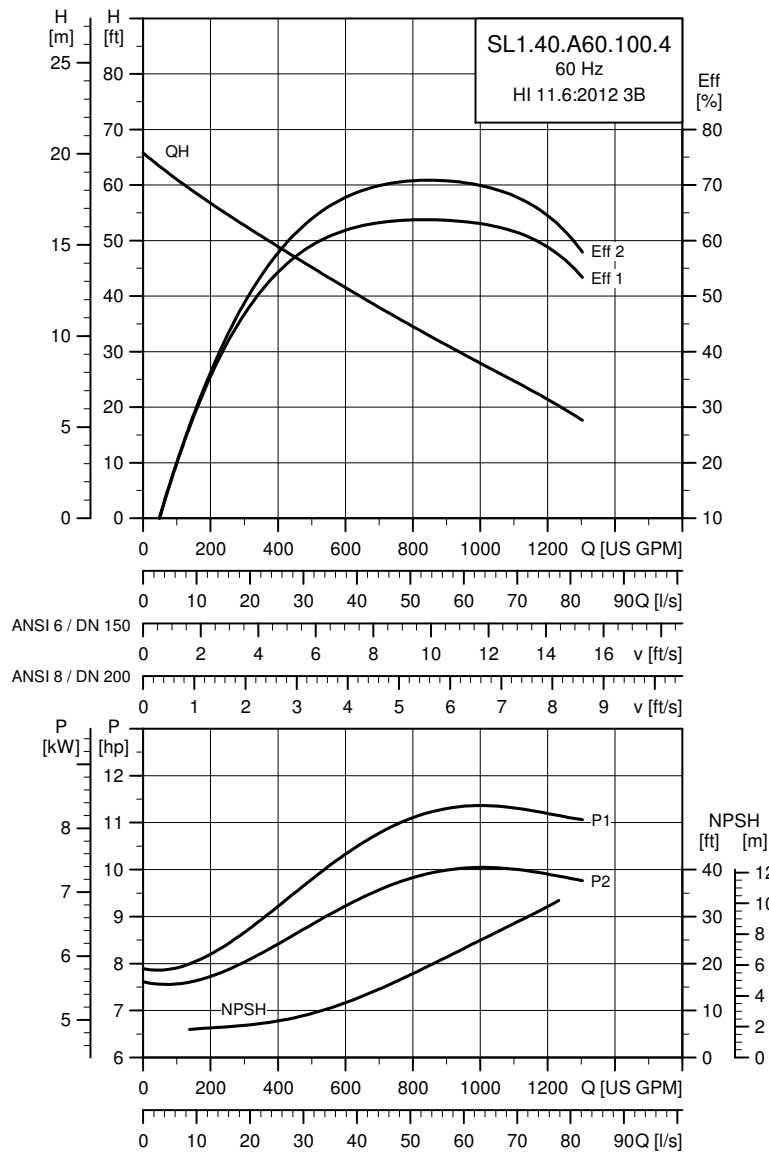
Electrical data

Pump type	Voltage [V]	P1 [hp (kW)]	P2 [hp (kW)]	No. of poles	RPM	Starting method	I_N			I_{start}			$\eta_{motor} [\%]$			$\cos \phi$			SF	Moment of inertia [lb ² ft ² (kgm ²)]	Breakdown torque M_{max} [lb ² ft (Nm)]
							[A]	[A]	[A]	[A]	[A]	[A]	[A]	[A]	[A]	[A]	[A]	[A]			
60J	3 x 208 V D	8.5 (6.3)	7.5 (5.5)	4	1765	DOL	19.3	149	88.9	90.0	89.6	0.73	0.81	0.86	1.15	1.692 (0.0713)	73 (99)				
61R	3 x 230 V D/ 460 V Y	8.7 (6.4)	7.5 (5.5)	4	1765	Y/D	18.3 / 9.6	120 / 80	89.2	90.0	88.9	0.77	0.84	0.87	1.15	1.692 (0.0713)	60.5 (82)				
61L	3 x 575 V D Y/D	8.7 (6.4)	7.5 (5.5)	4	1765	Y/D	7.4	57	88.9	90.0	89.6	0.73	0.81	0.86	1.15	1.692 (0.0713)	73 (99)				

Pump data

Weight [lb. (kg)]	Impeller type	Max. solids size [in. (mm)]	Pump housing pressure PN	Max. number of starts per hour	Enclosure class	Insulation class	Temperature rise class	Max. liquid temperature [°F (°C)]	pH
363 (165)	S-tube	4 (100)	10	20	IP68	H	A	104 (40)	4-14

Performance curves: SL1.40.A60.100.4---C



TM04 7856 4318

Electrical data

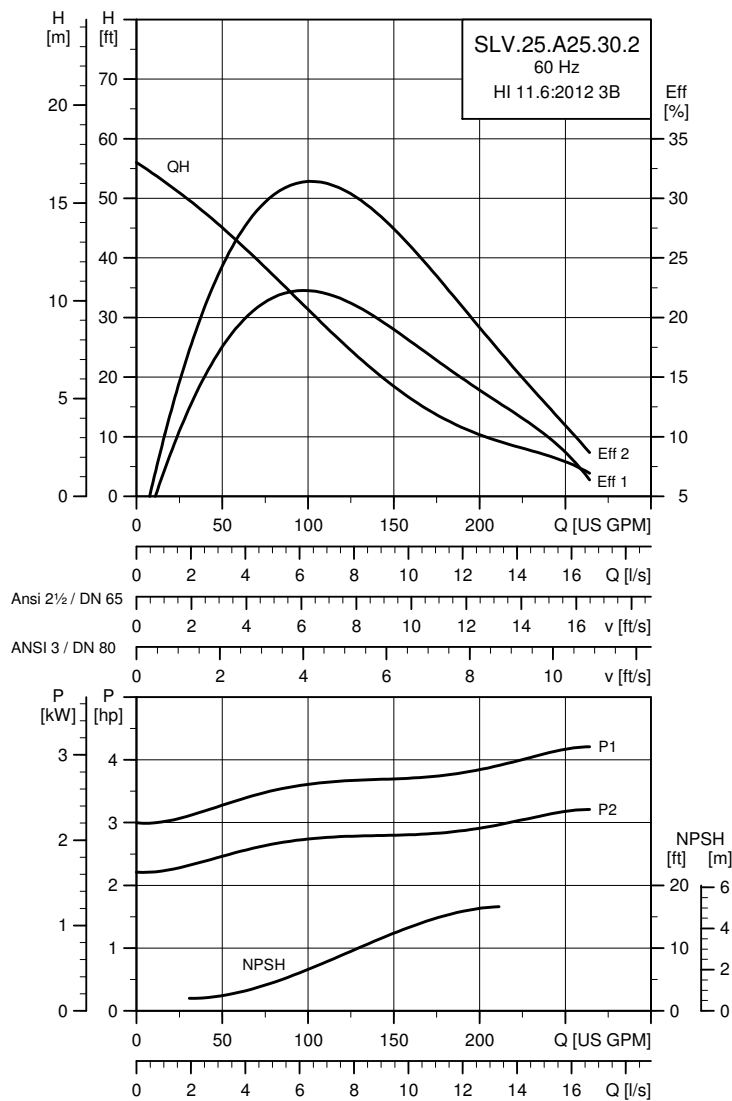
Pump type	Voltage [V]	P1 [hp (kW)]	P2 [hp (kW)]	No. of poles	RPM	Starting method	I_N		η_{motor} [%]			$\cos \phi$			SF	Moment of inertia [lb*ft ² (kgm ²)]	Breakdown torque M_{max} [lbf*ft (Nm)]
							[A]	[A]	1/2	3/4	1/1	1/2	3/4	1/1			
60J	3 x 208 V D	11.4 (8.4)	10.0 (7.5)	4	1766	DOL	26.1	205	91.0	91.4	91.0	0.71	0.81	0.85	1.15	2.143 (0.0903)	118 (160)
61R	3 x 230 V D/ 460 V Y	11.6 (8.6)	10.0 (7.5)	4	1766	Y/D	24.5 / 13.1	160 / 110	90.9	91.1	90.3	0.75	0.84	0.87	1.15	2.143 (0.0903)	81.1 (110)
61L	3 x 575 V D Y/D	11.6 (8.6)	10.0 (7.5)	4	1766	Y/D	10.0	79	91.0	91.4	91.0	0.71	0.81	0.85	1.15	2.143 (0.0903)	118 (160)

Pump data

Weight [lb. (kg)]	Impeller type	Max. solids size [in. (mm)]	Pump housing pressure PN	Max. number of starts per hour	Enclosure class	Insulation class	Temperature rise class	Max. liquid temperature [°F (°C)]	pH
426 (193)	S-tube	4 (100)	10	20	IP68	H	A	104 (40)	4-14

SLV.25.A25

Performance curves: SLV.25.A25.30.2---C



TM04 7249 4318

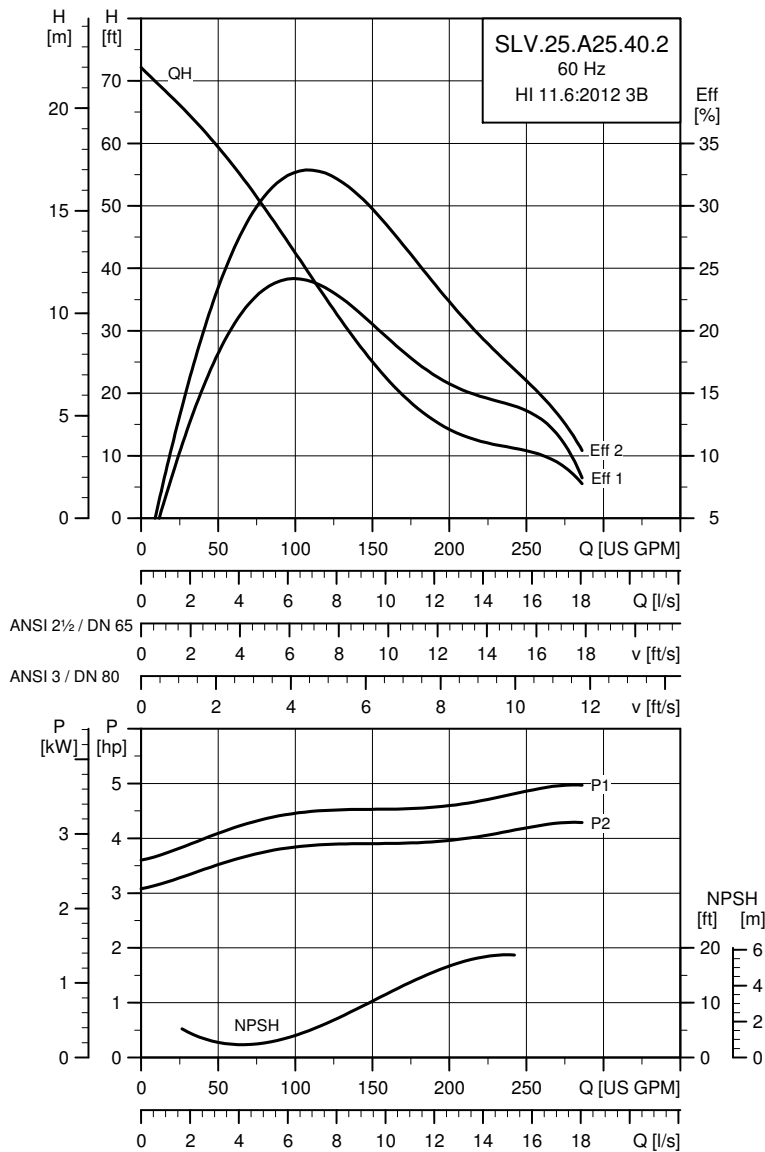
Electrical data

Pump type	Voltage [V]	P1 [hp (kW)]	P2 [hp (kW)]	No. of poles	RPM	Starting method	I_N			I_{start}			$\eta_{motor} [\%]$			$\cos \phi$			SF	Moment of inertia [lb ² ft ² (kgm ²)]	Breakdown torque M_{max} [lb ² ft (Nm)]
							[A]	[A]	[A]	1/2	3/4	1/1	1/2	3/4	1/1						
60J	3 x 208 V D	4.0 (3.0)	3.0 (2.2)	2	3503	DOL	8.6	68	83.8	85.8	85.0	0.78	0.85	0.89	1.15	0.135 (0.0057)	15.5 (21)				
61R	3 x 230 V D/ 460 V Y	4.0 (3.0)	3.0 (2.2)	2	3503	Y/D	8.2 / 4.2	50 / 40	84.0	85.2	83.8	0.81	0.87	0.90	1.15	0.135 (0.0057)	12.5 (17)				
61L	3 x 575 V D Y/D	4.0 (3.0)	3.0 (2.2)	2	3503	Y/D	3.3	26	83.8	85.8	85.0	0.78	0.85	0.89	1.15	0.135 (0.0057)	15.5 (21)				

Pump data

Weight [lb. (kg)]	Impeller type	Max. solids size [in. (mm)]	Pump housing pressure PN	Max. number of starts per hour	Enclosure class	Insulation class	Temperature rise class	Max. liquid temperature [°F (°C)]	pH
144 (65.2)	SuperVortex	2.5 (65)	10	20	IP68	H	A	104 (40)	4-14

Performance curves: SLV.25.A25.40.2---C



TM04 7250 4318

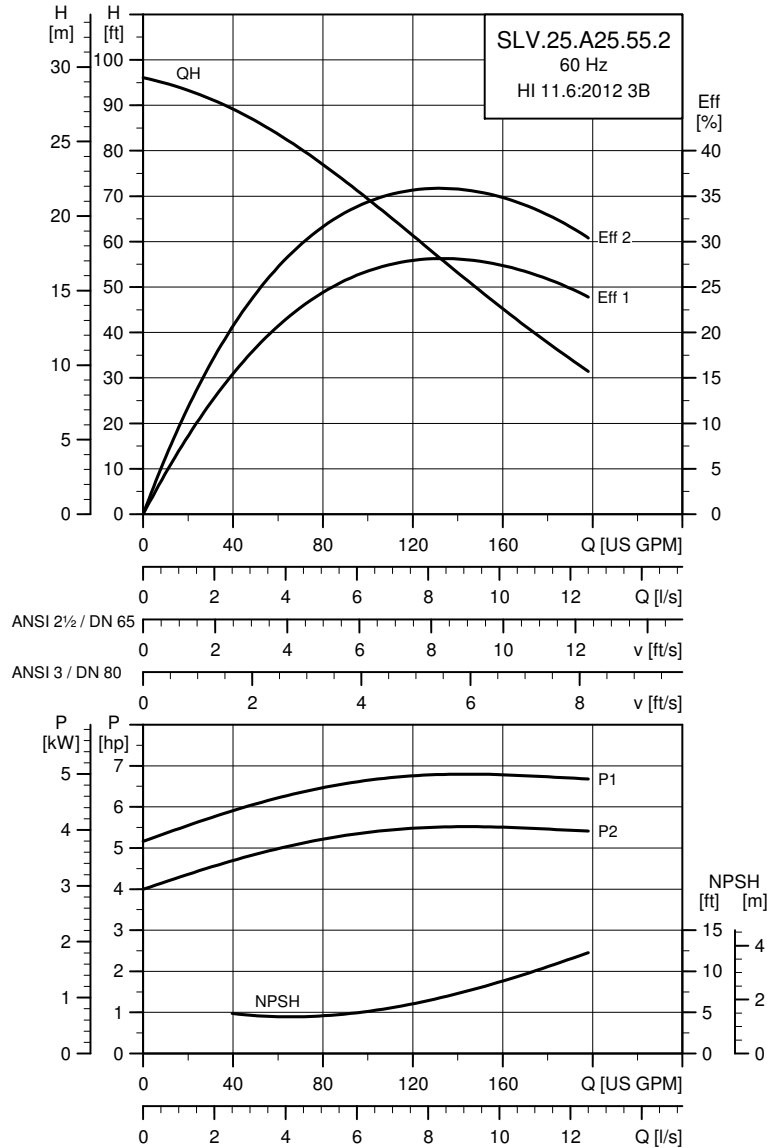
Electrical data

Pump type	Voltage [V]	P1 [hp (kW)]	P2 [hp (kW)]	No. of poles	RPM	Starting method	I_N			I_{start}			$\eta_{motor} [\%]$			$\cos \varphi$			SF	Moment of inertia [lb ² ft ² (kgm ²)]	Breakdown torque M_{max} [lbf ² ft (Nm)]
							[A]	[A]	[A]	1/2	3/4	1/1	1/2	3/4	1/1						
60J	3 x 208-230 V D	5.1 (3.8)	4.0 (3.0)	2	3515	DOL	11.3	98	84.8	86.5	86.5	0.74	0.83	0.87	1.15	0.135 (0.0057)	40.6 (55)				
61R	3 x 230 V D/ 460 V Y	5.1 (3.8)	4.0 (3.0)	2	3515	Y/D	10.8 / 5.7	80 / 60	85.3	85.9	85.5	0.80	0.86	0.89	1.15	0.135 (0.0057)	20.7 (28)				
61L	3 x 575 V D Y/D	5.1 (3.8)	4.0 (3.0)	2	3515	Y/D	4.3	37	84.8	86.5	86.5	0.74	0.83	0.87	1.15	0.135 (0.0057)	40.6 (55)				

Pump data

Weight [lb. (kg)]	Impeller type	Max. solids size [in. (mm)]	Pump housing pressure PN	Max. number of starts per hour	Enclosure class	Insulation class	Temperature rise class	Max. liquid temperature [°F (°C)]	pH
207 (93.7)	SuperVortex	2.5 (65)	10	20	IP68	H	A	104 (40)	4-14

Performance curves: SLV.25.A25.55.2---C



TM04 7251 4318

Electrical data

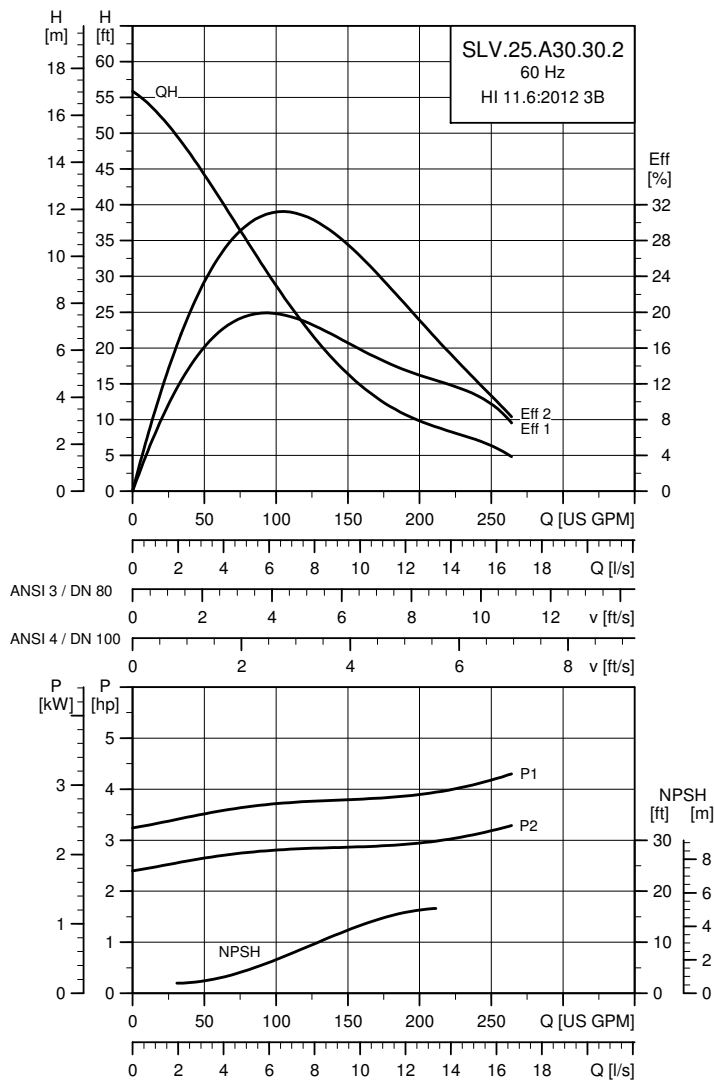
Pump type	Voltage [V]	P1 [hp (kW)]	P2 [hp (kW)]	No. of poles	RPM	Starting method	I _N		η _{motor} [%]			Cos φ			SF	Moment of inertia [lb·ft ² (kgm ²)]	Breakdown torque M _{max} [lbf·ft (Nm)]
							[A]	[A]	1/2	3/4	1/1	1/2	3/4	1/1			
60J	3 x 208 V D	6.7 (5.0)	5.5 (4.0)	2	3535	DOL	15.0	166	82.0	85.0	86.0	0.76	0.84	0.88	1.15	0.342 (0.0144)	41.3 (56)
61R	3 x 230 V D/ 460 V Y	6.7 (5.0)	5.5 (4.0)	2	3535	Y/D	13.8 / 7.2	120 / 80	82.7	85.4	86.1	0.80	0.87	0.90	1.15	0.342 (0.0144)	28.8 (39)
61L	3 x 575 V D Y/D	6.8 (5.0)	5.5 (4.0)	2	3535	Y/D	5.7	64	82.0	85.0	86.0	0.76	0.84	0.88	1.15	0.342 (0.0144)	41.3 (56)

Pump data

Weight [lb. (kg)]	Impeller type	Max. solids size [in. (mm)]	Pump housing pressure PN	Max. number of starts per hour	Enclosure class	Insulation class	Temperature rise class	Max. liquid temperature [°F (°C)]	pH
258 (117)	SuperVortex	2.5 (65)	10	20	IP68	H	A	104 (40)	4-14

SLV.25.A30

Performance curves: SLV.25.A30.30.2---C



TM04 7252 4318

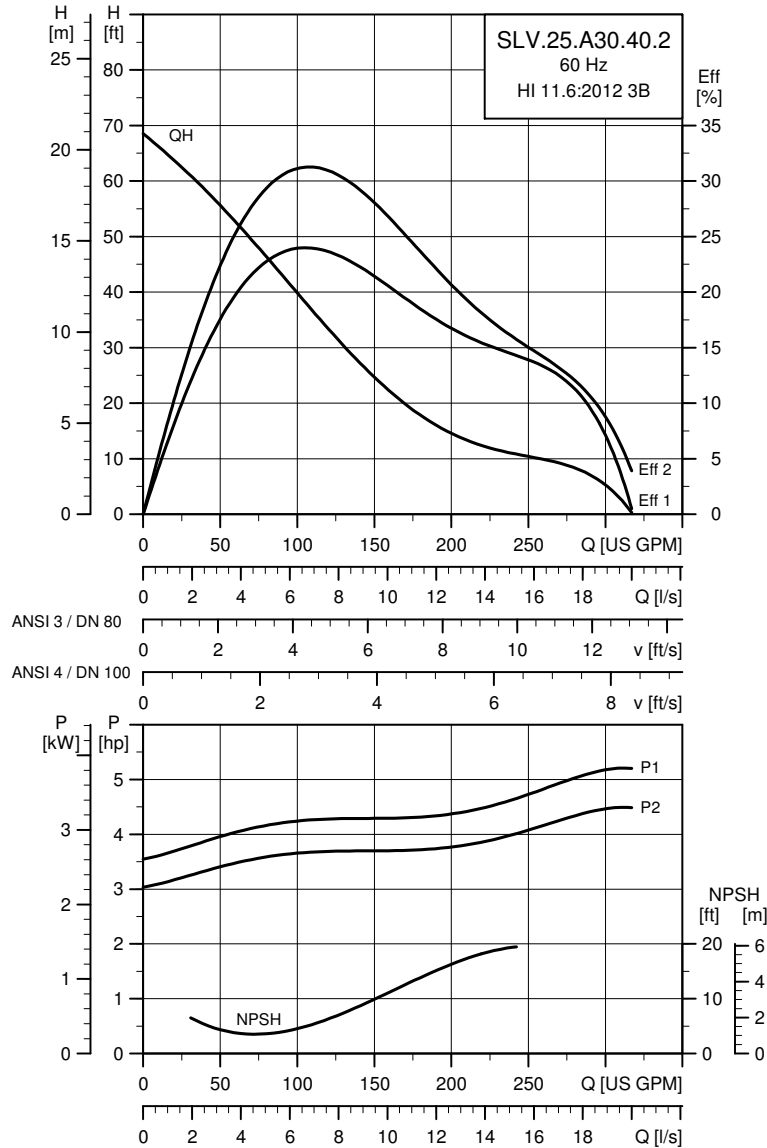
Electrical data

Pump type	Voltage [V]	P1 [hp (kW)]	P2 [hp (kW)]	No. of poles	RPM	Starting method	I_N			I_{start}			$\eta_{motor} [\%]$			$\cos \varphi$			SF	Moment of inertia [lb*ft ² (kgm ²)]	Breakdown torque M_{max} [lbf*ft (Nm)]
							[A]	[A]	[A]	1/2	3/4	1/1	1/2	3/4	1/1						
60J	3 x 208 V D	4.0 (3.0)	3.0 (2.2)	2	3503	DOL	8.6	68	83.8	85.8	85.0	0.78	0.85	0.89	1.15	0.342 (0.0144)	15.5 (21)				
61R	3 x 230 V D/ 460 V Y	4.0 (3.0)	3.0 (2.2)	2	3503	Y/D	8.2 / 4.2	50 / 40	84.0	85.2	83.8	0.81	0.87	0.90	1.15	0.342 (0.0144)	12.5 (17)				
61L	3 x 575 V D Y/D	4.0 (3.0)	3.0 (2.2)	2	3503	Y/D	3.3	26	83.8	85.8	85.0	0.78	0.85	0.89	1.15	0.342 (0.0144)	15.5 (21)				

Pump data

Weight [lb. (kg)]	Impeller type	Max. solids size [in. (mm)]	Pump housing pressure PN	Max. number of starts per hour	Enclosure class	Insulation class	Temperature rise class	Max. liquid temperature [°F (°C)]	pH
146 (66.3)	SuperVortex	2.5 (65)	10	20	IP68	H	A	104 (40)	4-14

Performance curves: SLV.25.A30.40.2---C



TM04 7253 4318

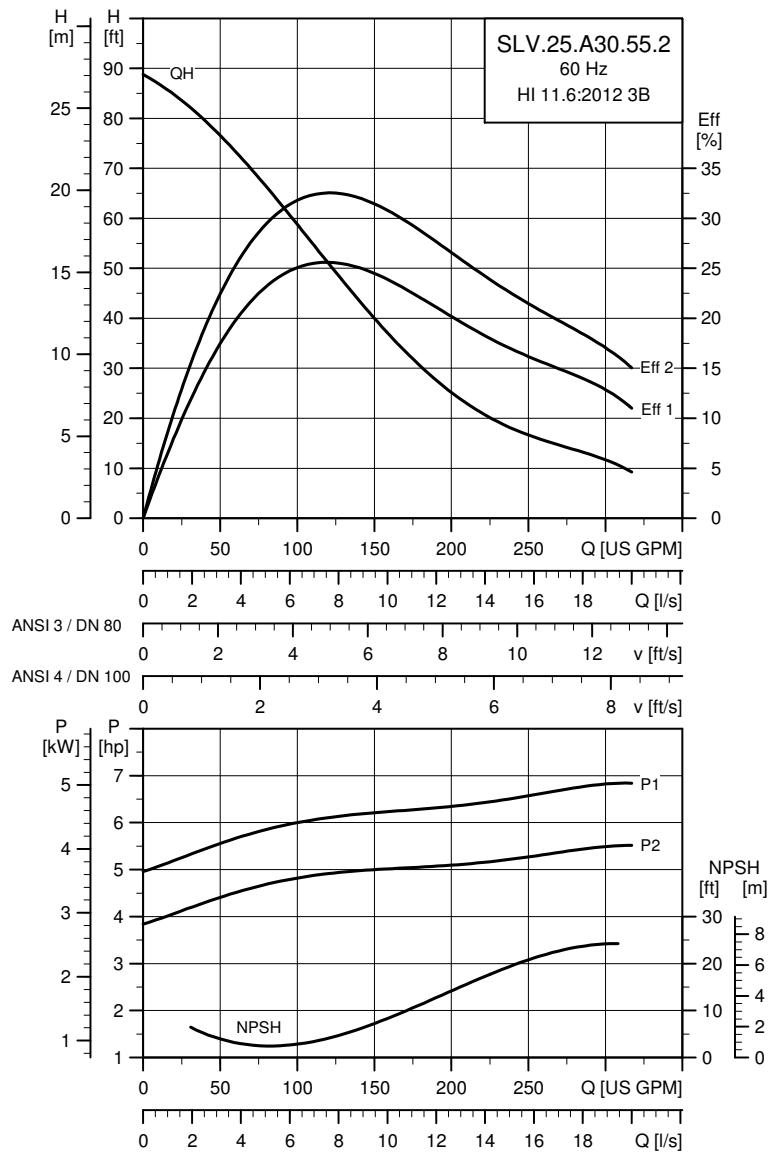
Electrical data

Pump type	Voltage [V]	P1 [hp (kW)]	P2 [hp (kW)]	No. of poles	RPM	Starting method	I_N			I_{start}			$\eta_{motor} [\%]$			$\cos \phi$			SF	Moment of inertia [lb*ft ² (kgm ²)]	Breakdown torque M_{max} [lb*ft (Nm)]
							[A]	[A]	[A]	1/2	3/4	1/1	1/2	3/4	1/1						
60J	3 x 208 V D	5.1 (3.8)	4.0 (3.0)	2	3515	DOL	11.3	98	84.8	86.5	86.5	0.74	0.83	0.87	1.15	0.342 (0.0144)	40.6 (55)				
61R	3 x 230 V D/ 460 V Y	5.1 (3.8)	4.0 (3.0)	2	3515	Y/D	10.8 / 5.7	80 / 60	85.3	85.9	85.5	0.80	0.86	0.89	1.15	0.342 (0.0144)	20.7 (28)				
61L	3 x 575 V D Y/D	5.1 (3.8)	4.0 (3.0)	2	3515	Y/D	4.3	37	84.8	86.5	86.5	0.74	0.83	0.87	1.15	0.342 (0.0144)	40.6 (55)				

Pump data

Weight [lb. (kg)]	Impeller type	Max. solids size [in. (mm)]	Pump housing pressure PN	Max. number of starts per hour	Enclosure class	Insulation class	Temperature rise class	Max. liquid temperature [°F (°C)]	pH
209 (94.8)	SuperVortex	2.5 (65)	10	20	IP68	H	A	104 (40)	4-14

Performance curves: SLV.25.A30.55.2---C



TM04 7254 4318

Electrical data

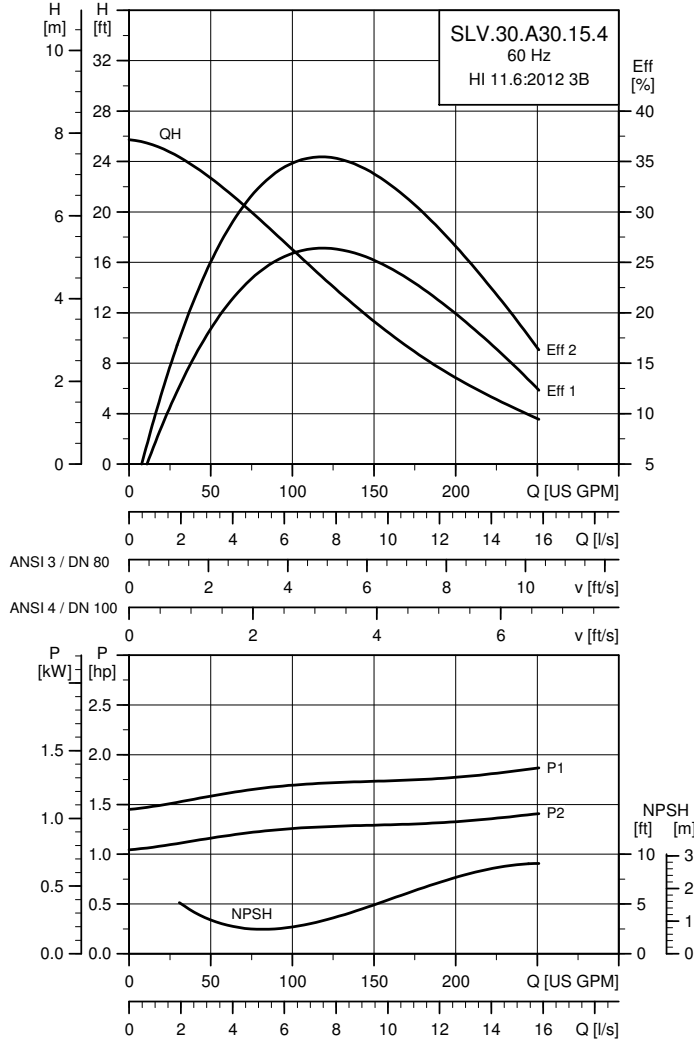
Pump type	Voltage [V]	P1 [hp (kW)]	P2 [hp (kW)]	No. of poles	RPM	Starting method	I_N			I_{start}			$\eta_{motor} [\%]$			$\cos \phi$			SF	Moment of inertia [lb ² ft ² (kgm ²)]	Breakdown torque M_{max} [lbf ² ft (Nm)]
							[A]	[A]	[A]	1/2	3/4	1/1	1/2	3/4	1/1						
60J	3 x 208 V D	6.7 (5.0)	5.5 (4.0)	2	3535	DOL	15.0	166	82.0	85.0	86.0	0.76	0.84	0.88	1.15	0.318 (0.0134)	41.3 (56)				
61R	3 x 230 V D/ 460 V Y	6.7 (5.0)	5.5 (4.0)	2	3535	Y/D	13.8 / 7.2	120 / 80	82.7	85.4	86.1	0.80	0.87	0.90	1.15	0.318 (0.0134)	28.8 (39)				
61L	3 x 575 V D Y/D	6.8 (5.0)	5.5 (4.0)	2	3535	Y/D	5.7	64	82.0	85.0	86.0	0.76	0.84	0.88	1.15	0.318 (0.0134)	41.3 (56)				

Pump data

Weight [lb. (kg)]	Impeller type	Max. solids size [in. (mm)]	Pump housing pressure PN	Max. number of starts per hour	Enclosure class	Insulation class	Temperature rise class	Max. liquid temperature [°F (°C)]	pH
259 (118)	SuperVortex	2.5 (65)	10	20	IP68	H	A	104 (40)	4-14

SLV.30.A30

Performance curves: SLV.30.A30.15.4---C



TM04 7255 4318

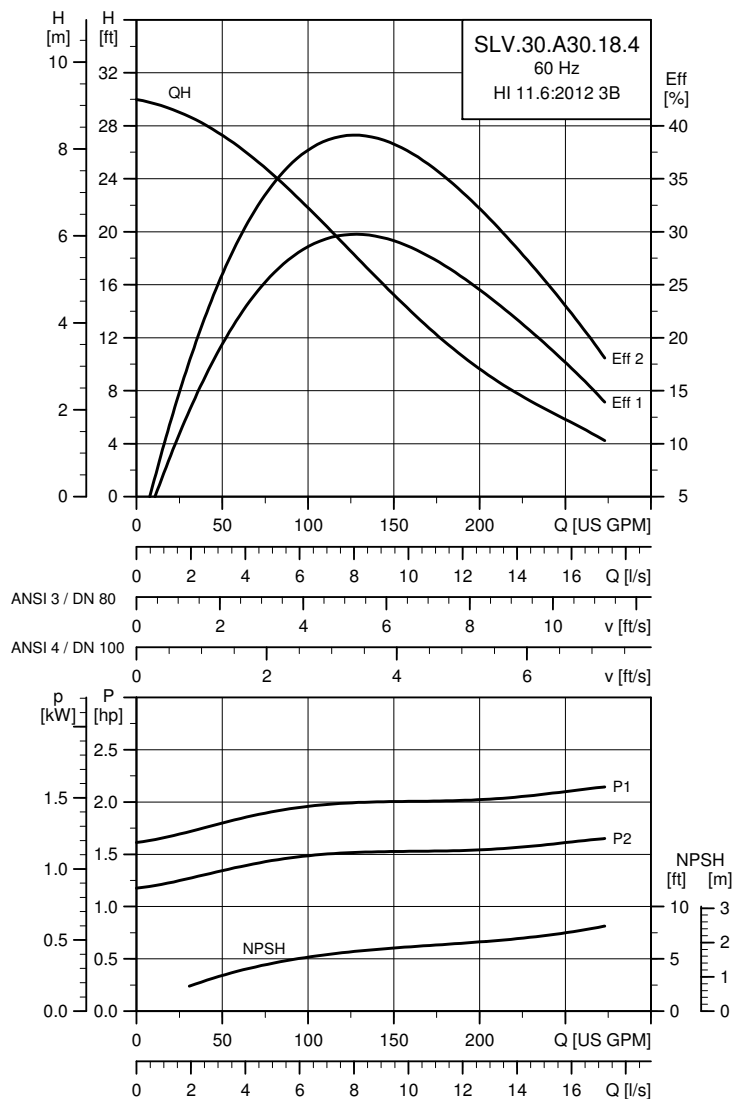
Electrical data

Pump type	Voltage [V]	P1 [hp (kW)]	P2 [hp (kW)]	No. of poles	RPM	Starting method	I_N			I_{start}			$\eta_{motor} [\%]$			$\cos \phi$			SF	Moment of inertia [lb·ft ² (kgm ²)]	Breakdown torque M_{max} [lbf·ft (Nm)]
							[A]	[A]	[A]	1/2	3/4	1/1	1/2	3/4	1/1						
60J	3 x 208 V D DOL	2.0 (1.5)	1.5 (1.1)	4	1754	DOL	5.2	33	81.0	84.2	84.6	0.52	0.65	0.72	1.15	2.143 (0.0903)	17.7 (24)				
61R	3 x 230 V D / 460 V Y	2.0 (1.5)	1.5 (1.1)	4	1754	Y/D	4.8 / 2.7	28 / 20	82.2	84.3	84.0	0.57	0.70	0.76	1.15	2.143 (0.0903)	217.7 (24)				
60L	3 x 575 V D DOL	2.0 (1.5)	1.5 (1.1)	4	1754	DOL	2.0	13	81.0	84.2	84.6	0.52	0.65	0.72	1.15	2.143 (0.0903)	17.7 (24)				
61L	3 x 575 V D Y/D	2.0 (1.5)	1.5 (1.1)	4	1754	Y/D	2.0	13	81.0	84.2	84.6	0.52	0.65	0.72	1.15	2.143 (0.0903)	17.7 (24)				

Pump data

Weight [lb. (kg)]	Impeller type	Max. solids size [in. (mm)]	Pump housing pressure PN	Max. number of starts per hour	Enclosure class	Insulation class	Temperature rise class	Max. liquid temperature [°F (°C)]	pH
204 (92.4)	SuperVortex	3 (80)	10	20	IP68	H	A	104 (40)	4-14

Performance curves: SLV.30.A30.18.4---C



TM04 7256 4318

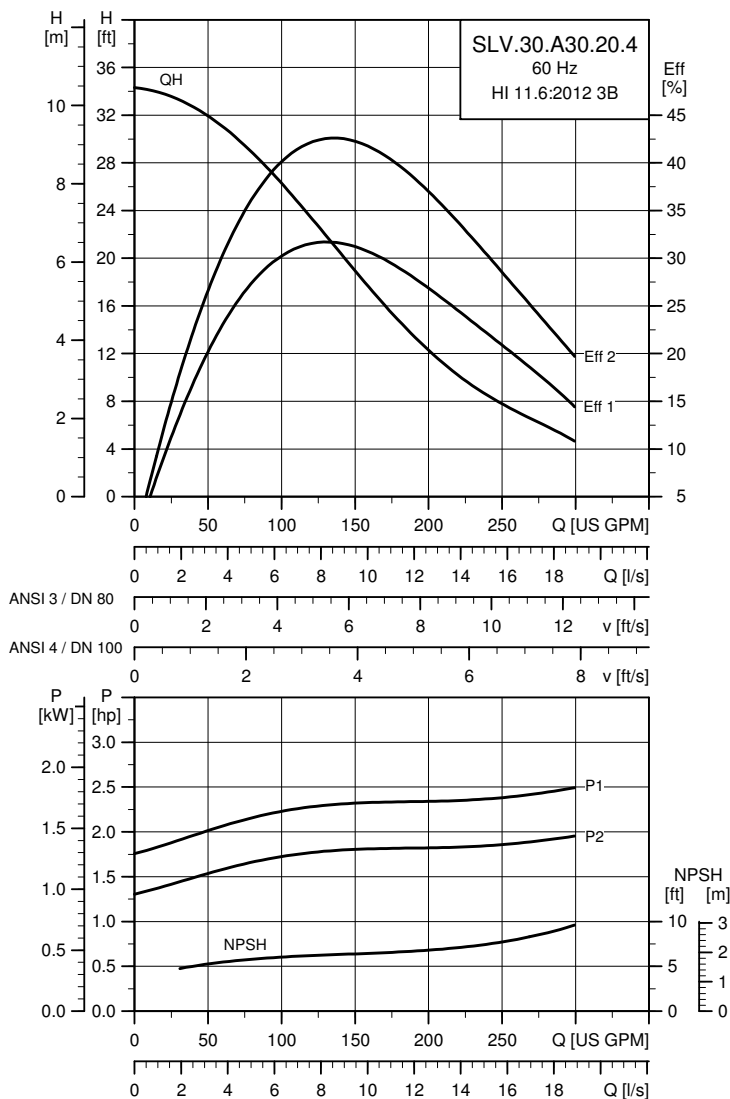
Electrical data

Pump type	Voltage [V]	P1 [hp (kW)]	P2 [hp (kW)]	No. of poles	RPM	Starting method	I_N		$\eta_{\text{motor}} [\%]$			$\text{Cos } \varphi$			SF	Moment of inertia [lb·ft ² (kgm ²)]	Breakdown torque M_{max} [lb·ft (Nm)]
							[A]	[A]	1/2	3/4	1/1	1/2	3/4	1/1			
60J	3 x 208V D DOL	2.4 (1.8)	1.8 (1.3)	4	1753	DOL	6.4	53	82.0	85.2	86.0	0.30	0.39	0.46	1.15	1.241 (0.0523)	22.1 (30)
61R	3 x 230 V D / 460 V Y	2.4 (1.8)	1.8 (1.3)	4	1753	Y/D	5.7 / 3.3	40 / 30	82.8	85.3	85.8	0.52	0.65	0.72	1.15	1.241 (0.0523)	18.4 (25)
60L	3 x 575 V D DOL	2.4 (1.8)	1.8 (1.3)	4	1753	DOL	2.5	20	82.0	85.2	86.0	0.30	0.39	0.46	1.15	1.241 (0.0523)	22.1 (30)
61L	3 x 575 V D Y/D	2.4 (1.8)	1.8 (1.3)	4	1753	Y/D	2.5	20	82.0	85.2	86.0	0.30	0.39	0.46	1.15	1.241 (0.0523)	22.1 (30)

Pump data

Weight [lb. (kg)]	Impeller type	Max. solids size [in. (mm)]	Pump housing pressure PN	Max. number of starts per hour	Enclosure class	Insulation class	Temperature rise class	Max. liquid temperature [°F (°C)]	pH
211 (95.8)	SuperVortex	3 (80)	10	20	IP68	H	A	104 (40)	4-14

Performance curves: SLV.30.A30.20.4---C



TM04 7257 4318

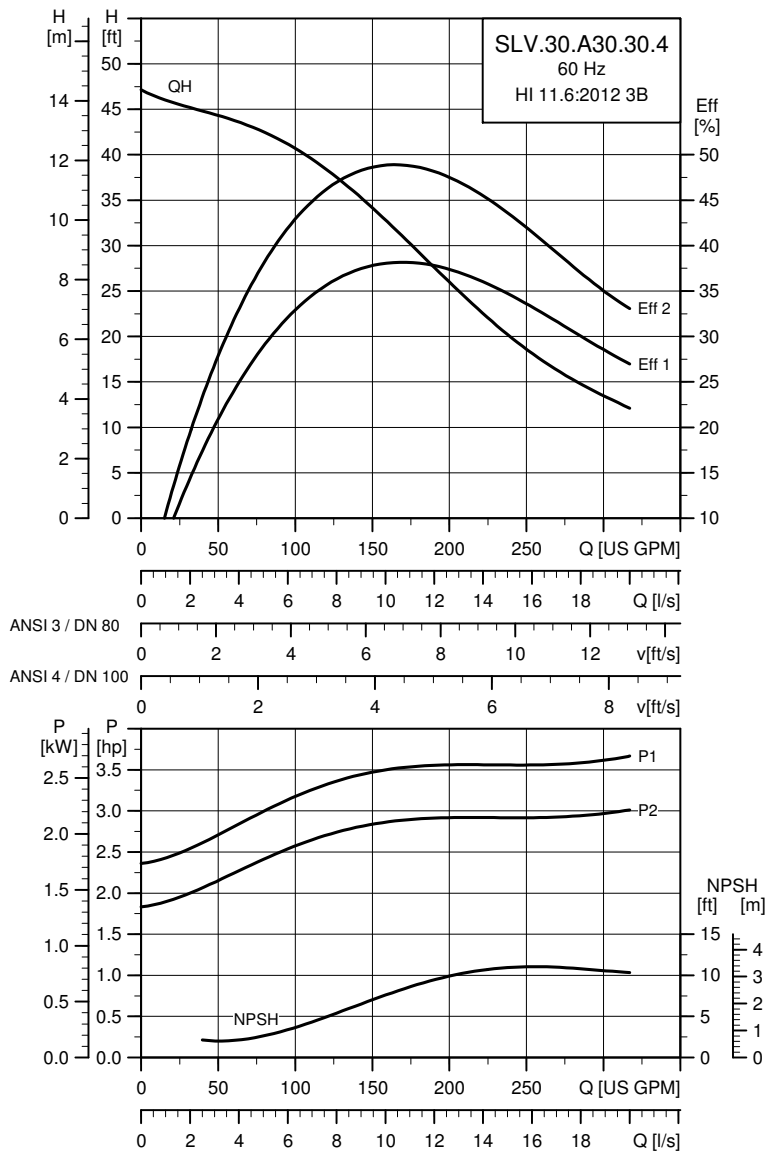
Electrical data

Pump type	Voltage [V]	P1 [hp (kW)]	P2 [hp (kW)]	No. of poles	RPM	Starting method	I _N		η _{motor} [%]			Cos φ			SF	Moment of inertia [lb·ft ² (kgm ²)]	Breakdown torque M _{max} [lb·ft (Nm)]
							[A]	[A]	1/2	3/4	1/1	1/2	3/4	1/1			
60J	3 x 208 V D DOL	2.6 (1.9)	2.0 (1.5)	4	1753	DOL	6.9	53	83.3	85.7	86.0	0.51	0.63	0.72	1.15	1.217 (0.0513)	22.1 (30)
61R	3 x 230 V D/460 V Y	2.6 (1.9)	2.0 (1.5)	4	1753	Y/D	6.3 / 3.6	40	84.2	85.7	85.4	0.56	0.69	0.76	1.15	1.217 (0.0513)	18.4 (25)
60L	3 x 575 V D DOL	2.6 (1.9)	2.0 (1.5)	4	1753	DOL	2.6	20	83.3	85.7	86.0	0.51	0.63	0.72	1.15	1.217 (0.0513)	22.1 (30)
61L	3 x 575 V D Y/D	2.6 (1.9)	2.0 (1.5)	4	1753	Y/D	2.6	20	83.3	85.7	86.0	0.51	0.63	0.72	1.15	1.217 (0.0513)	22.1 (30)

Pump data

Weight [lb. (kg)]	Impeller type	Max. solids size [in. (mm)]	Pump housing pressure PN	Max. number of starts per hour	Enclosure class	Insulation class	Temperature rise class	Max. liquid temperature [°F (°C)]	pH
212 (96)	SuperVortex	3 (80)	10	20	IP68	H	A	104 (40)	4-14

Performance curves: SLV.30.A30.30.4---C



TM04 7258 4318

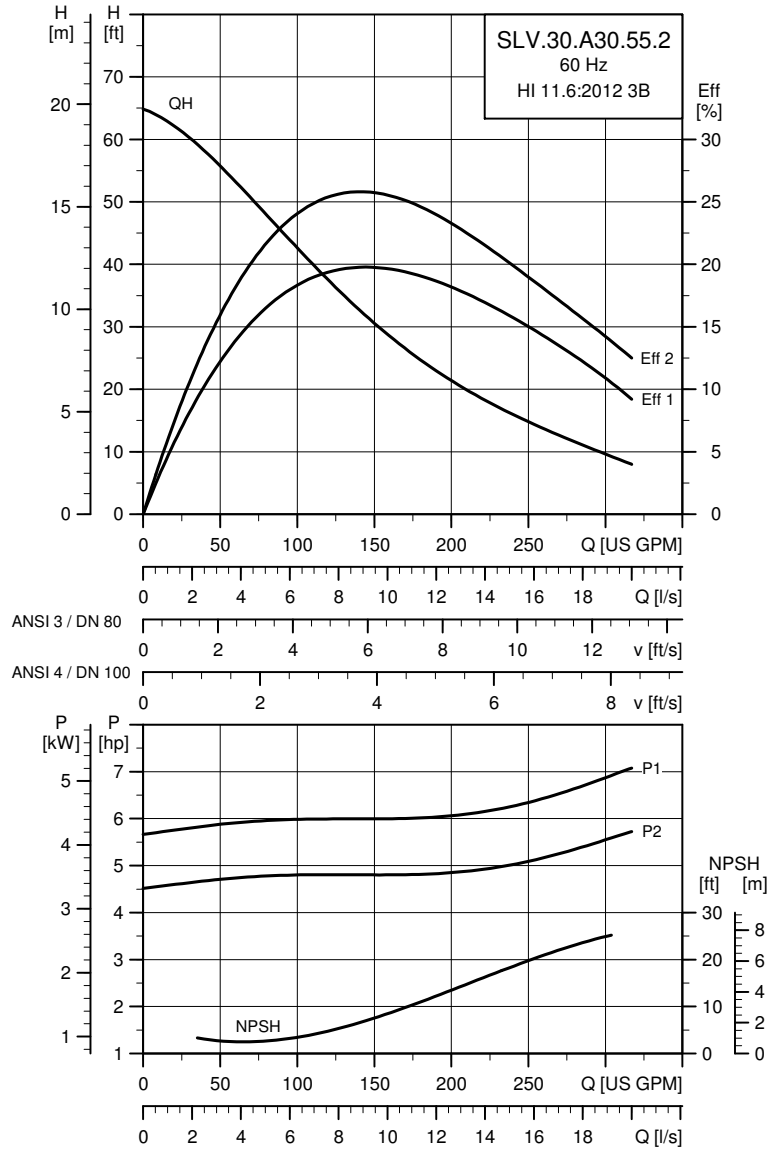
Electrical data

Pump type	Voltage [V]	P1 [hp (kW)]	P2 [hp (kW)]	No. of poles	RPM	Starting method	I_N			I_{start}			$\eta_{motor} [\%]$			$\cos \varphi$			SF	Moment of inertia [lb*ft ² (kgm ²)]	Breakdown torque M_{max} [lbf*ft (Nm)]
							[A]	[A]	[A]	1/2	3/4	1/1	1/2	3/4	1/1						
60J	3 x 208 V D	3.7 (2.7)	3.0 (2.2)	4	1763	DOL	9.28	70	84.7	86.6	87.0	0.59	0.70	0.76	1.15	1.265 (0.0533)	26.6 (36)				
61R	3 x 230 V D/ 460 V Y	3.7 (2.7)	3.0 (2.2)	4	1763	Y/D	8.5 / 4.8	40 / 30	85.5	86.6	86.3	0.65	0.75	0.80	1.15	1.265 (0.0533)	26.6 (36)				
61L	3 x 575 V D Y/D	3.7 (2.7)	3.0 (2.2)	4	1763	Y/D	3.5	27	84.7	86.6	87.0	0.59	0.70	0.76	1.15	1.265 (0.0533)	26.6 (36)				

Pump data

Weight [lb. (kg)]	Impeller type	Max. solids size [in. (mm)]	Pump housing pressure PN	Max. number of starts per hour	Enclosure class	Insulation class	Temperature rise class	Max. liquid temperature [°F (°C)]	pH
228 (103)	SuperVortex	3 (80)	10	20	IP68	H	A	104 (40)	4-14

Performance curves: SLV.30.A30.55.2---C



TM04 7259 4318

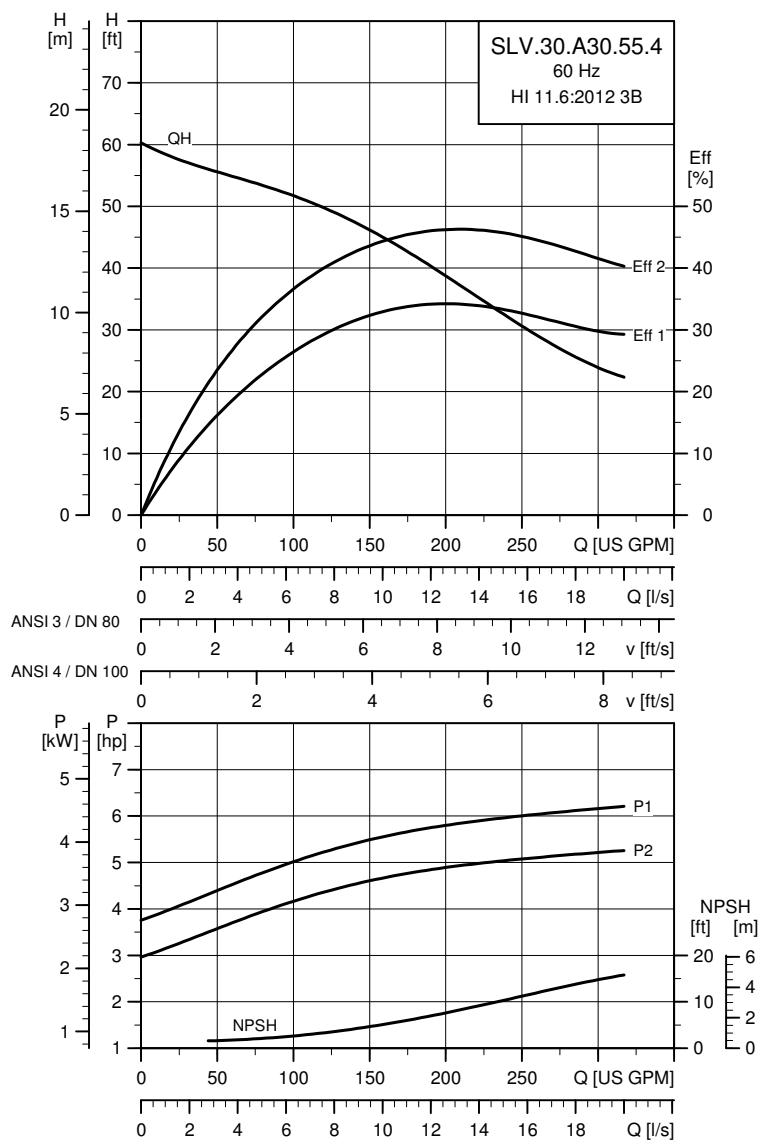
Electrical data

Pump type	Voltage [V]	P1 [hp (kW)]	P2 [hp (kW)]	No. of poles	RPM	Starting method	I_N			I_{start}			$\eta_{motor} [\%]$			$\cos \phi$			SF	Moment of inertia [lb ² ft ² (kgm ²)]	Breakdown torque M_{max} [lbf ² ft (Nm)]
							[A]	[A]	[A]	[A]	[A]	[A]	[A]	[A]	[A]	[A]	[A]	[A]			
61J	3 x 208 V D	6.7 (5.0)	5.5 (4.0)	2	1767	Y/D	15.0	166	85.3	87.4	88.2	0.53	0.66	0.74	1.15	2.176 (0.0917)	61.2 (83)				
61R	3 x 230 V D/ 460 V Y	6.7 (5.0)	5.5 (4.0)	2	1767	Y/D	13.8 / 7.2	120 / 80	86.2	86.2	87.8	0.59	0.70	0.78	1.15	2.176 (0.0917)	48.7 (66)				
61L	3 x 575 V D Y/D	6.8 (5.0)	5.5 (4.0)	2	1767	Y/D	5.7	64	85.3	87.4	88.2	0.53	0.66	0.74	1.15	2.176 (0.0917)	61.2 (83)				

Pump data

Weight [lb. (kg)]	Impeller type	Max. solids size [in. (mm)]	Pump housing pressure PN	Max. number of starts per hour	Enclosure class	Insulation class	Temperature rise class	Max. liquid temperature [°F (°C)]	pH
268 (122)	SuperVortex	3 (80)	10	20	IP68	H	A	104 (40)	4-14

Performance curves: SLV.30.A30.55.4---C



TM04 7260 4318

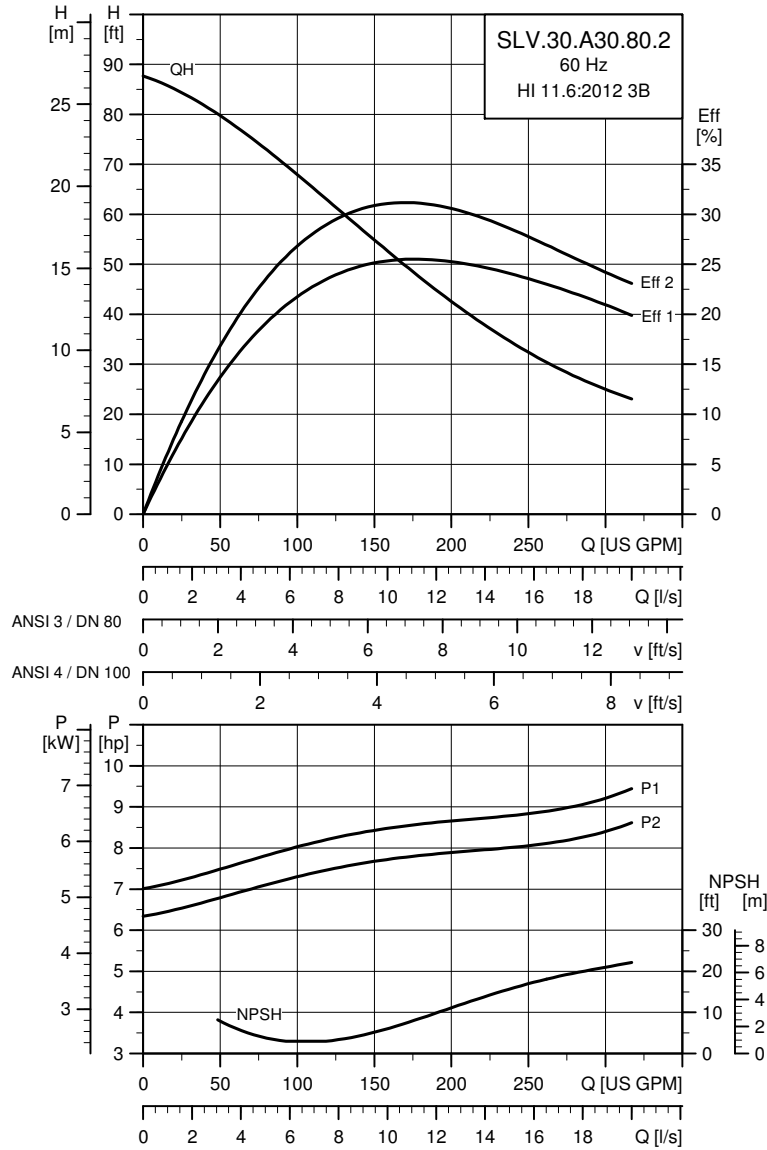
Electrical data

Pump type	Voltage [V]	P1 [hp (kW)]	P2 [hp (kW)]	No. of poles	RPM	Starting method	I_N			I_{start}			$\eta_{motor} [\%]$			$\cos \phi$			SF	Moment of inertia [lb*ft ² (kgm ²)]	Breakdown torque M_{max} [lb*ft (Nm)]
							[A]	[A]	[A]	[A]	[A]	[A]	[A]	[A]	[A]	[A]	[A]	[A]			
61J	3 x 208 V D	6.5 (4.8)	5.5 (4.0)	4	3535	Y/D	16.8	133	85.3	87.4	88.2	0.53	0.66	0.74	1.15	0.318 (0.0134)	83				
61R	3 x 230 V D/ 460 V Y	6.5 (4.8)	5.5 (4.0)	4	3535	Y/D	15.4 / 8.6	120 / 80	85.3	87.4	88.2	0.53	0.66	0.74	1.15	0.318 (0.0134)	83				
61L	3 x 575 V D Y/D	6.5 (4.8)	5.5 (4.0)	4	3535	Y/D	6.4	51	85.3	87.4	88.2	0.53	0.66	0.74	1.15	0.318 (0.0134)	83				

Pump data

Weight [lb. (kg)]	Impeller type	Max. solids size [in. (mm)]	Pump housing pressure PN	Max. number of starts per hour	Enclosure class	Insulation class	Temperature rise class	Max. liquid temperature [°F (°C)]	pH
294 (133)	SuperVortex	3 (80)	10	20	IP68	H	A	104 (40)	4-14

Performance curves: SLV.30.A30.80.2---C



TM04 7261 4318

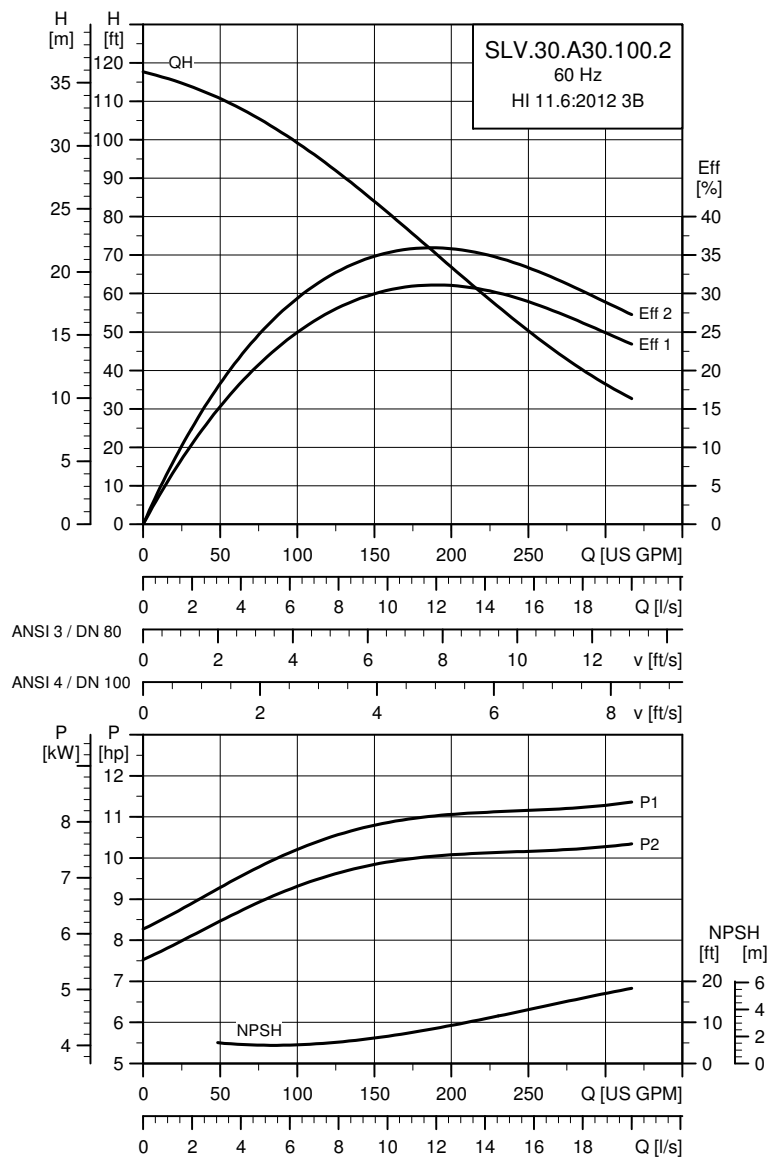
Electrical data

Pump type	Voltage [V]	P1 [hp (kW)]	P2 [hp (kW)]	No. of poles	RPM	Starting method	I _N		η _{motor} [%]			Cos φ			SF	Moment of inertia [lb·ft ² (kgm ²)]	Breakdown torque M _{max} [lb·ft (Nm)]
							[A]	[A]	1/2	3/4	1/1	1/2	3/4	1/1			
60J	3 x 208 V D	9.8 (7.2)	8.0 (6.0)	2	3549	DOL	22.5	215	89.5	89.7	90.2	0.70	0.79	0.83	1.15	0.318 (0.0134)	62.7 (85)
61R	3 x 230 V D/ 460 V Y	9.8 (7.2)	8.0 (6.0)	2	3549	Y/D	20.4 / 10.9	170 / 120	89.8	90.8	90.7	0.75	0.84	0.837	1.15	0.318 (0.0134)	36.9 (50)
61L	3 x 575 V D Y/D	9.8 (7.2)	8.0 (6.0)	2	3549	Y/D	8.6	82	89.5	89.7	90.2	0.70	0.79	0.83	1.15	0.318 (0.0134)	62.7 (85)

Pump data

Weight [lb. (kg)]	Impeller type	Max. solids size [in. (mm)]	Pump housing pressure PN	Max. number of starts per hour	Enclosure class	Insulation class	Temperature rise class	Max. liquid temperature [°F (°C)]	pH
302 (137)	SuperVortex	3 (80)	10	20	IP68	H	A	104 (40)	4-14

Performance curves: SLV.30.A30.100.2---C



TM04 7262 4318

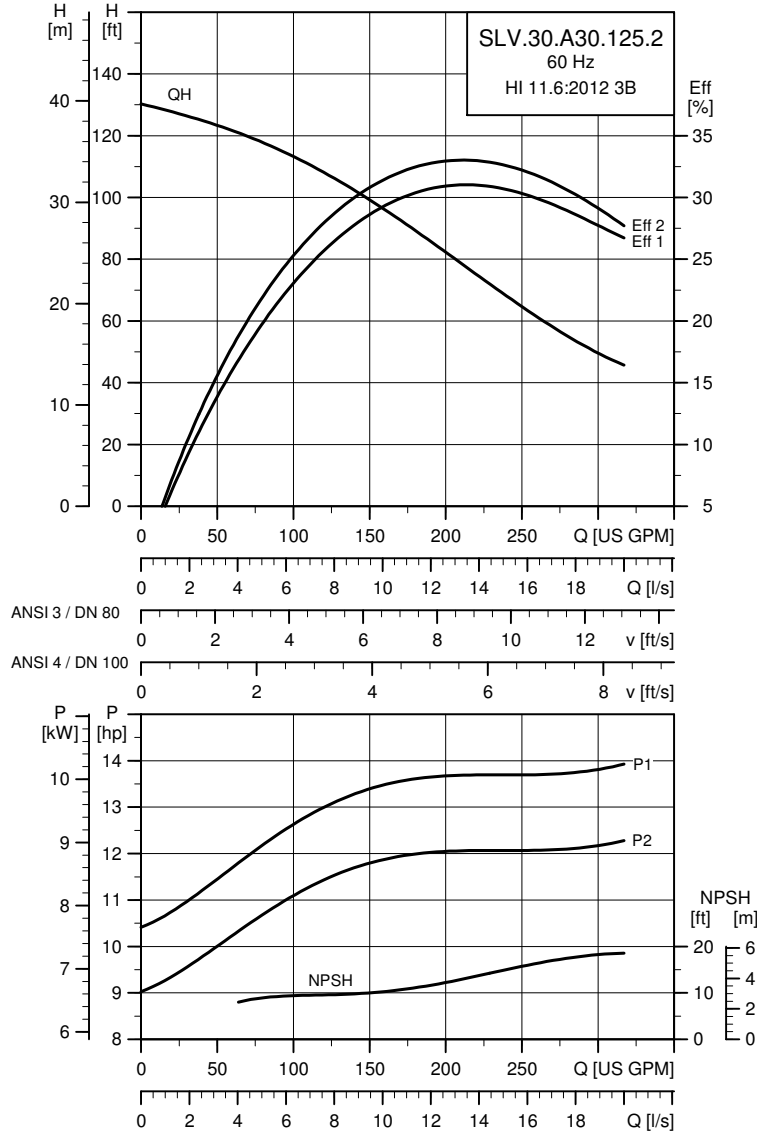
Electrical data

Pump type	Voltage [V]	P1 [hp (kW)]	P2 [hp (kW)]	No. of poles	RPM	Starting method	I_N		$\eta_{motor} [\%]$			$\cos \varphi$			SF	Moment of inertia [lb ² ft ² (kgm ²)]	Breakdown torque M_{max} [lbf ² ft (Nm)]
							[A]	[A]	1/2	3/4	1/1	1/2	3/4	1/1			
60J	3 x 208 V D	11.8 (8.7)	10.0 (7.5)	2	3533	DOL	27.0	215	90.3	90.8	90.1	0.74	0.82	0.86	1.15	0.346 (0.0146)	62.7 (85)
61R	3 x 230 V D/ 460 V Y	12.0 (8.8)	10.0 (7.5)	2	3533	Y/D	25 / 13	170 / 120	90.4	90.6	89.6	0.80	0.86	0.89	1.15	0.346 (0.0146)	36.9 (50)
61L	3 x 575 V D Y/D	12.0 (8.8)	10.0 (7.5)	2	3533	Y/D	10.3	82	90.3	90.8	90.1	0.74	0.82	0.86	1.15	0.346 (0.0146)	62.7 (85)

Pump data

Weight [lb. (kg)]	Impeller type	Max. solids size [in. (mm)]	Pump housing pressure PN	Max. number of starts per hour	Enclosure class	Insulation class	Temperature rise class	Max. liquid temperature [°F (°C)]	pH
303 (137)	SuperVortex	3 (80)	10	20	IP68	H	A	104 (40)	4-14

Performance curves: SLV.30.A30.125.2---C



TM04 7263 4318

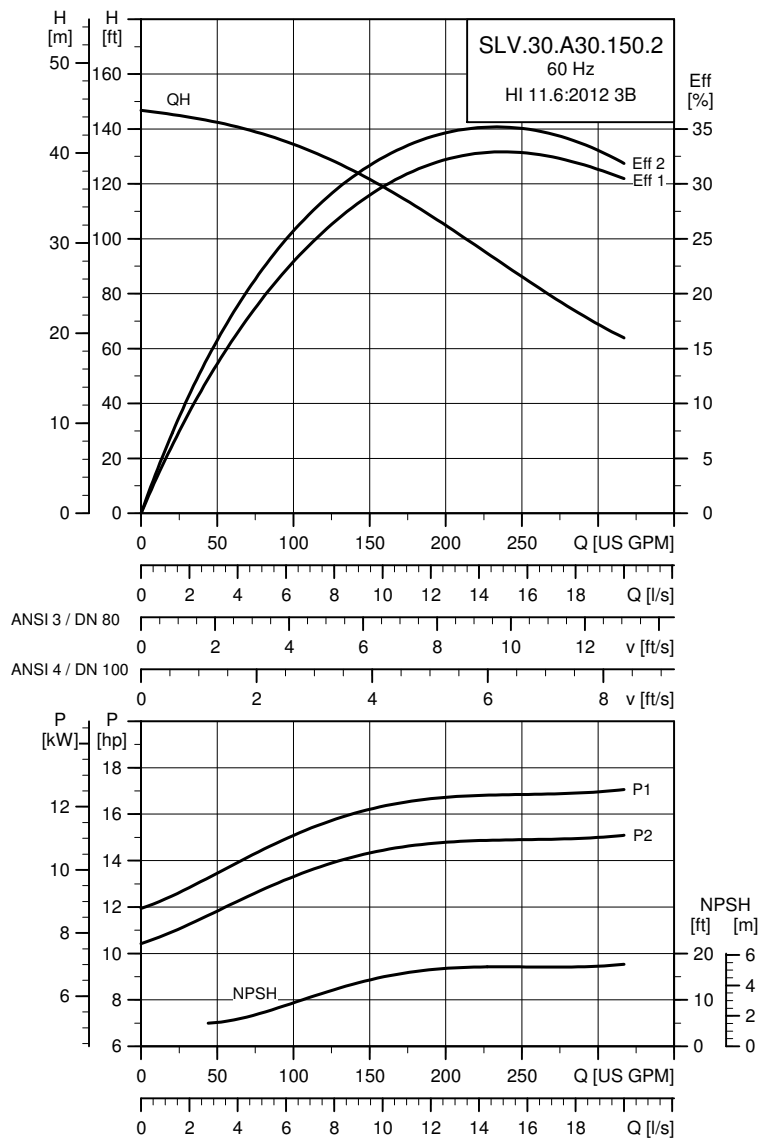
Electrical data

Pump type	Voltage [V]	P1 [hp (kW)]	P2 [hp (kW)]	No. of poles	RPM	Starting method	I _N			I _{start}			η _{motor} [%]			Cos φ			SF	Moment of inertia [lb ² ft ² (kgm ²)]	Breakdown torque M _{max} [lbf ² ft (Nm)]
							[A]	[A]	[A]	1/2	3/4	1/1	1/2	3/4	1/1						
60J	3 x 208 V D	14.4 (10.6)	12.5 (9.2)	2	3551	DOL	31.2	308	91.6	91.6	91.7	0.65	0.78	0.82	1.15	0.323 (0.0136)	81.1 (110)				
61R	3 x 230 V D/ 460 V Y	14.4 (10.6)	12.5 (9.2)	2	3551	Y/D	30.5 / 15.8	240 / 165	89.5	90.8	90.6	0.78	0.87	0.85	1.15	0.323 (0.0136)	81.1 (110)				
61L	3 x 575 V D Y/D	14.4 (10.6)	12.5 (9.2)	2	3551	Y/D	12.0	118	91.6	91.6	91.7	0.65	0.78	0.82	1.15	0.323 (0.0136)	81.1 (110)				

Pump data

Weight [lb. (kg)]	Impeller type	Max. solids size [in. (mm)]	Pump housing pressure PN	Max. number of starts per hour	Enclosure class	Insulation class	Temperature rise class	Max. liquid temperature [°F (°C)]	pH
388 (176)	SuperVortex	3 (80)	10	20	IP68	H	A	104 (40)	4-14

Performance curves: SLV.30.A30.150.2---C



TM04 7264 4318

Electrical data

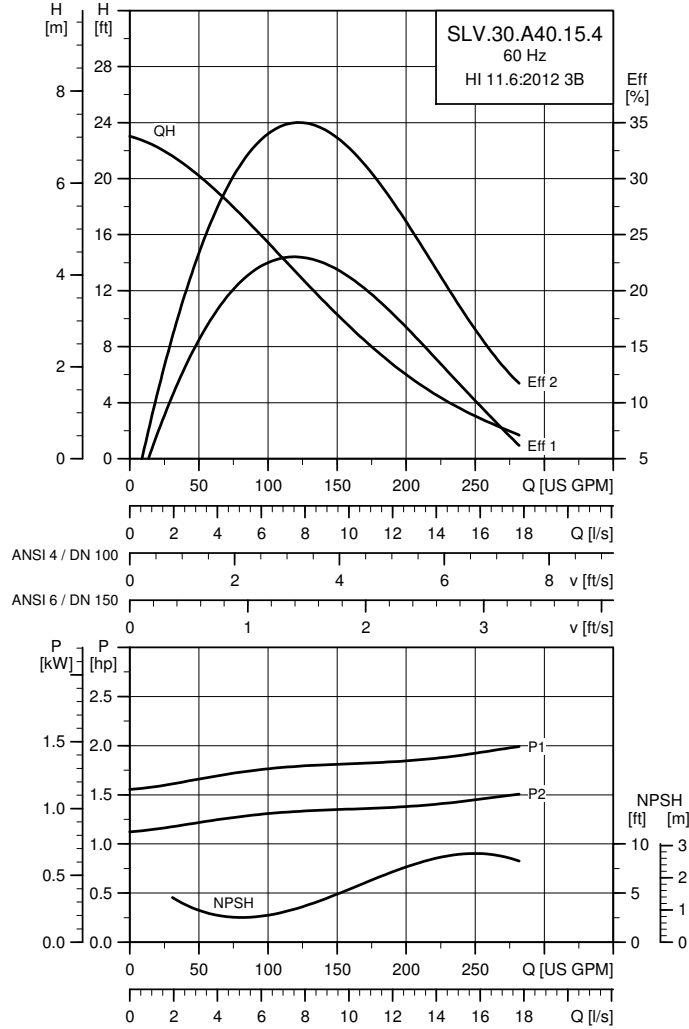
Pump type	Voltage [V]	P1 [hp (kW)]	P2 [hp (kW)]	No. of poles	RPM	Starting method	I_N			I_{start}			$\eta_{motor} [\%]$			$\cos \varphi$			SF	Moment of inertia [lb ² ft ² (kgm ²)]	Breakdown torque M_{max} [lbft (Nm)]
							[A]	[A]	[A]	1/2	3/4	1/1	1/2	3/4	1/1	1/2	3/4	1/1			
60J	3 x 208 V D	17.0 (12.5)	15.0 (11.0)	2	3551	DOL	38.2	308	91.6	91.8	91.6	0.73	0.82	0.86	1.15	0.418 (0.0176)	81.1 (110)				
61R	3 x 230 V D/ 460 V Y	17.1 (12.6)	15.0 (11.0)	2	3551	Y/D	36.5 / 19.0	240 / 165	91.2	91.2	90.7	0.77	0.84	0.87	1.15	0.418 (0.0176)	45.7 (62)				
61L	3 x 575 V D Y/D	17.1 (12.6)	15.0 (11.0)	2	3551	Y/D	14.6	118	91.6	91.8	91.6	0.73	0.82	0.86	1.15	0.418 (0.0176)	81.1 (110)				

Pump data

Weight [lb. (kg)]	Impeller type	Max. solids size [in. (mm)]	Pump housing pressure PN	Max. number of starts per hour	Enclosure class	Insulation class	Temperature rise class	Max. liquid temperature [°F (°C)]	pH
387 (176)	SuperVortex	3 (80)	10	20	IP68	H	A	104 (40)	4-14

SLV.30.A40

Performance curves: SLV.30.A40.15.4---C



TM04 7265 4318

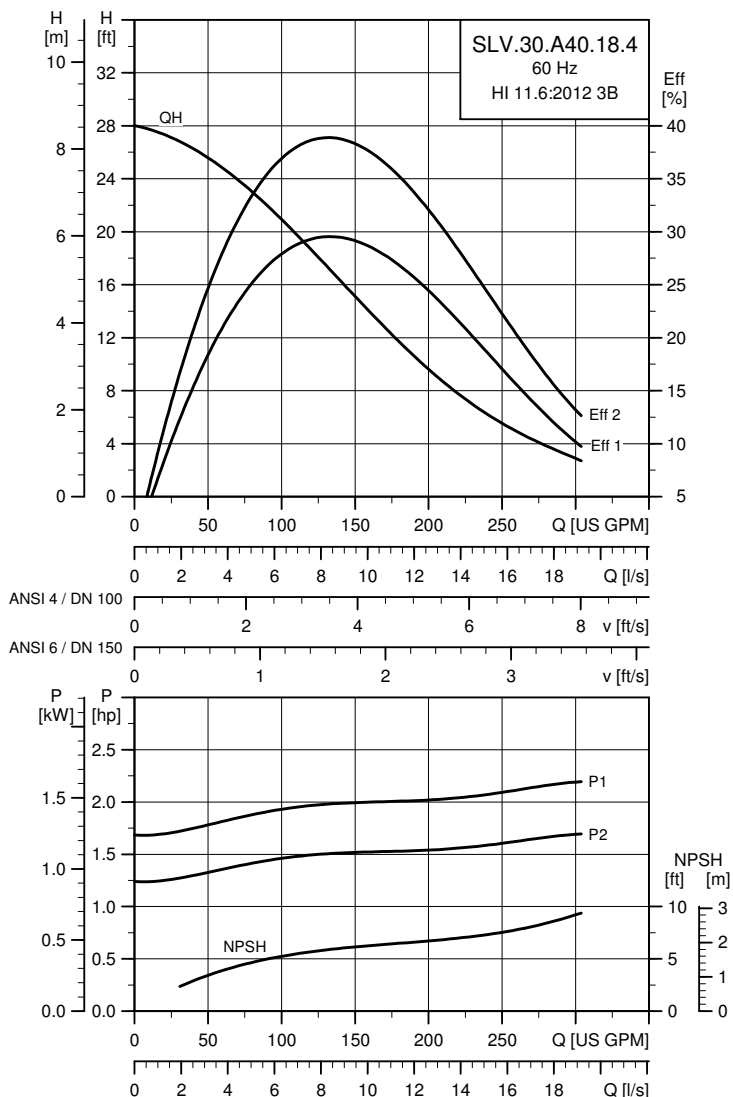
Electrical data

Pump type	Voltage [V]	P1 [hp (kW)]	P2 [hp (kW)]	No. of poles	RPM	Starting method	I _N		η _{motor} [%]			Cos φ			SF	Moment of inertia [lb·ft ² (kgm ²)]	Breakdown torque M _{max} [lbf·ft (Nm)]
							[A]	[A]	1/2	3/4	1/1	1/2	3/4	1/1			
60J	3 x 208 V D DOL	2.0 (1.5)	1.5 (1.1)	4	1754	DOL	5.2	33	81.0	84.2	84.6	0.52	0.65	0.72	1.15	2.176 (0.0917)	17.7 (24)
61R	3 x 230 V D / 460 V Y	2.0 (1.5)	1.5 (1.1)	4	1754	Y/D	4.8 / 2.7	28 / 20	82.2	84.3	84.0	0.57	0.70	0.76	1.15	2.176 (0.0917)	14.8 (20)
60L	3 x 575 V D DOL	2.0 (1.5)	1.5 (1.1)	4	1754	DOL	2.0	13	81.0	84.2	84.6	0.52	0.65	0.72	1.15	2.176 (0.0917)	17.7 (24)
61L	3 x 575 V D Y/D	2.0 (1.5)	1.5 (1.1)	4	1754	Y/D	2.0	13	81.0	84.2	84.6	0.52	0.65	0.72	1.15	2.176 (0.0917)	17.7 (24)

Pump data

Weight [lb. (kg)]	Impeller type	Max. solids size [in. (mm)]	Pump housing pressure PN	Max. number of starts per hour	Enclosure class	Insulation class	Temperature rise class	Max. liquid temperature [°F (°C)]	pH
200 (90.6)	SuperVortex	3 (80)	10	20	IP68	H	A	104 (40)	4-14

Performance curves: SLV.30.A40.18.4---C



TM04 7266 4318

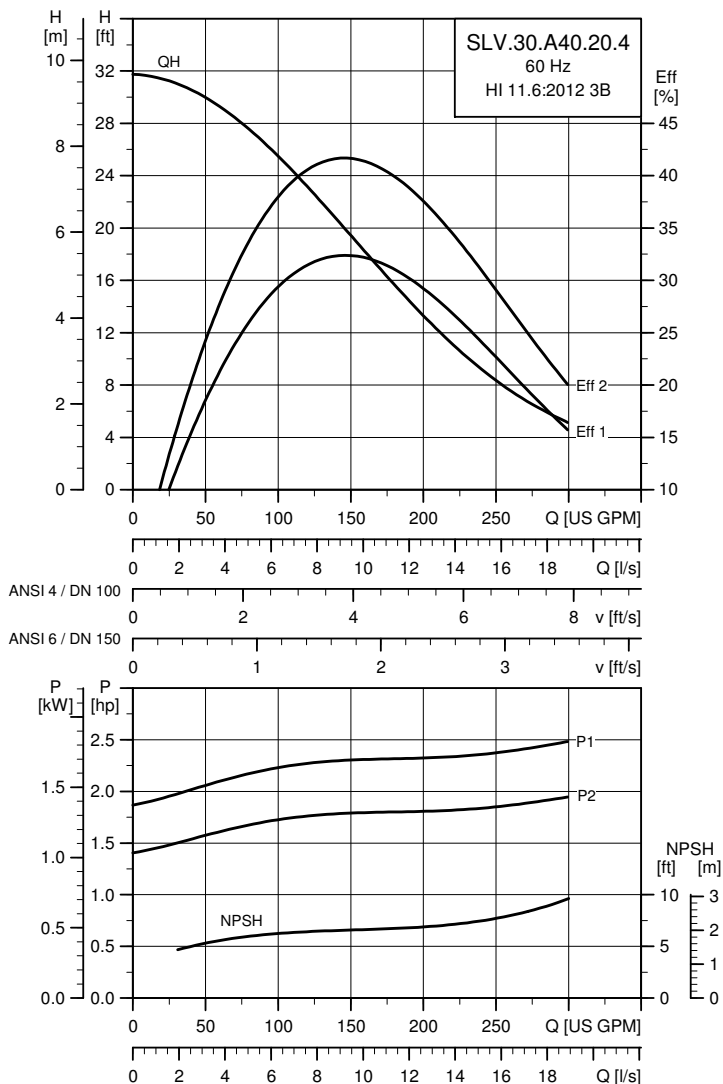
Electrical data

Pump type	Voltage [V]	P1 [hp (kW)]	P2 [hp (kW)]	No. of poles	RPM	Starting method	I_N			I_{start}			$\eta_{motor} [\%]$			$\cos \phi$			SF	Moment of inertia [lb·ft ² (kgm ²)]	Breakdown torque M_{max} [lb·ft (Nm)]
							[A]	[A]	[A]	1/2	3/4	1/1	1/2	3/4	1/1						
60J	3 x 208 V D DOL	2.4 (1.8)	1.8 (1.3)	4	1753	DOL	6.4	53	82.0	85.2	86.0	0.30	0.39	0.46	1.15	2.485 (0.1047)	22.1 (30)				
61R	3 x 230 V D / 460 V Y	2.4 (1.8)	1.8 (1.3)	4	1753	Y/D	5.7 / 3.3	40 / 30	82.8	85.3	85.8	0.52	0.65	0.72	1.15	2.485 (0.1047)	18.4 (25)				
60L	3 x 575 V D DOL	2.4 (1.8)	1.8 (1.3)	4	1753	DOL	2.5	20	82.0	85.2	86.0	0.30	0.39	0.46	1.15	2.485 (0.1047)	22.1 (30)				
61L	3 x 575 V D Y/D	2.4 (1.8)	1.8 (1.3)	4	1753	Y/D	2.5	20	82.0	85.2	86.0	0.30	0.39	0.46	1.15	2.485 (0.1047)	22.1 (30)				

Pump data

Weight [lb. (kg)]	Impeller type	Max. solids size [in. (mm)]	Pump housing pressure PN	Max. number of starts per hour	Enclosure class	Insulation class	Temperature rise class	Max. liquid temperature [°F (°C)]	pH
207 (94)	SuperVortex	3 (80)	10	20	IP68	H	A	104 (40)	4-14

Performance curves: SLV.30.A40.20.4---C



TM04 7267 4318

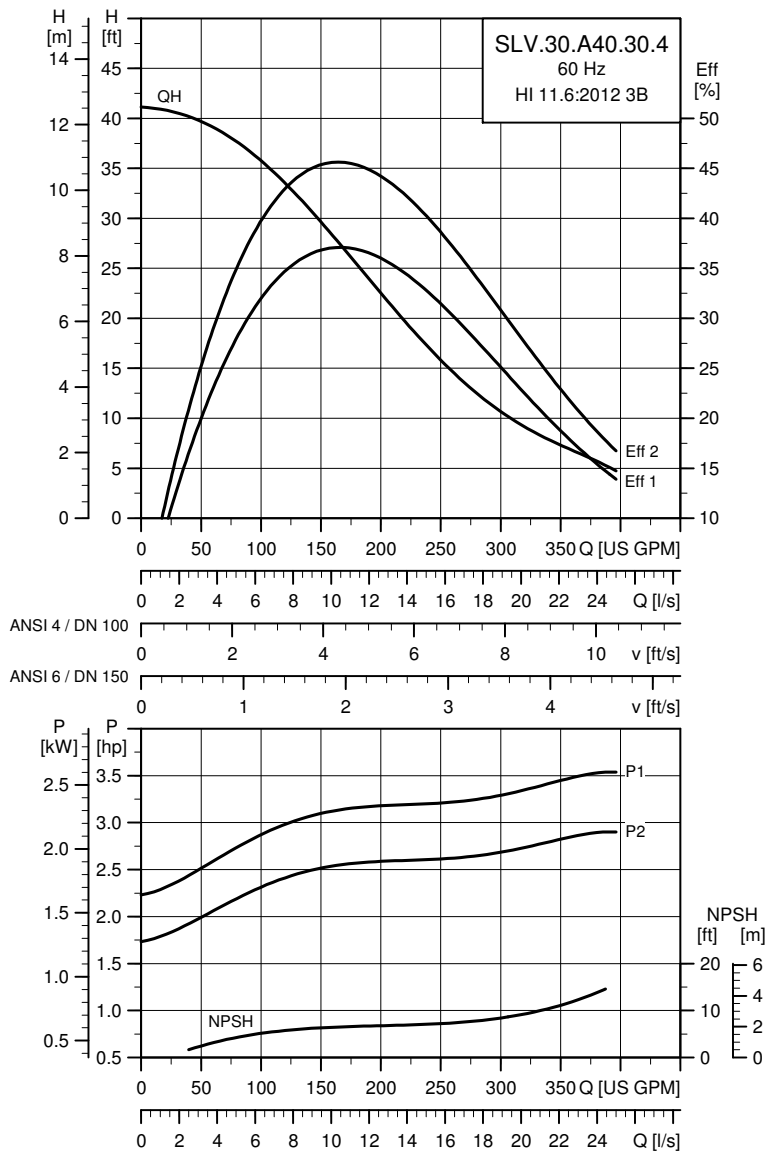
Electrical data

Pump type	Voltage [V]	P1 [hp (kW)]	P2 [hp (kW)]	No. of poles	RPM	Starting method	I_N			I_{start}			$\eta_{motor} [\%]$			$\cos \phi$			SF	Moment of inertia [lb·ft ² (kgm ²)]	Breakdown torque M_{max} [lb·ft (Nm)]
							[A]	[A]	[A]	1/2	3/4	1/1	1/2	3/4	1/1						
60J	3 x 208 V D DOL	2.6 (1.9)	2.0 (1.5)	4	1753	DOL	6.9	53	83.3	85.7	86.0	0.51	0.63	0.72	1.15	2.485 (0.1047)	22.1 (30)				
61R	3 x 230 V D/460 V Y	2.6 (1.9)	2.0 (1.5)	4	1753	Y/D	6.3 / 3.6	40 / 30	84.2	85.7	85.4	0.56	0.69	0.76	1.15	2.485 (0.1047)	18.4 (25)				
60L	3 x 575 V D DOL	2.6 (1.9)	2.0 (1.5)	4	1753	DOL	2.6	20	83.3	85.7	86.0	0.51	0.63	0.72	1.15	2.485 (0.1047)	22.1 (30)				
61L	3 x 575 V D Y/D	2.6 (1.9)	2.0 (1.5)	4	1753	Y/D	2.6	20	83.3	85.7	86.0	0.51	0.63	0.72	1.15	2.485 (0.1047)	22.1 (30)				

Pump data

Weight [lb. (kg)]	Impeller type	Max. solids size [in. (mm)]	Pump housing pressure PN	Max. number of starts per hour	Enclosure class	Insulation class	Temperature rise class	Max. liquid temperature [°F (°C)]	pH
208 (94.2)	SuperVortex	3 (80)	10	20	IP68	H	A	104 (40)	4-14

Performance curves: SLV.30.A40.30.4---C



TM04 7268 4318

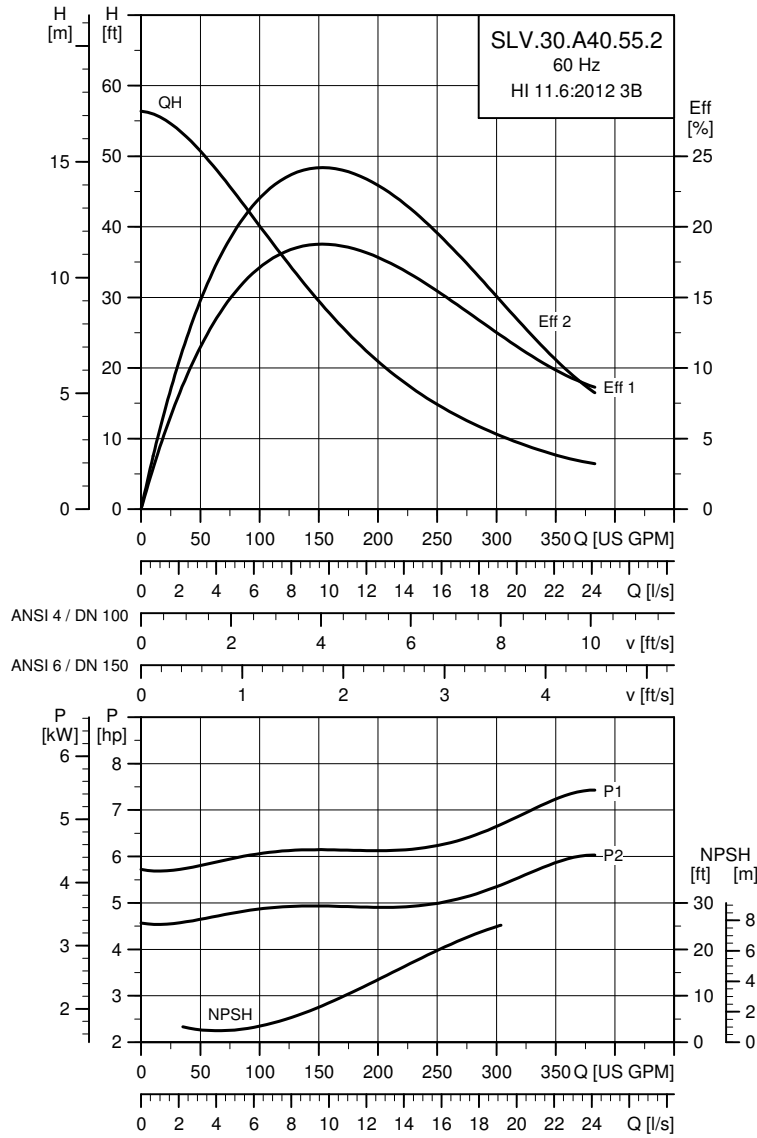
Electrical data

Pump type	Voltage [V]	P1 [hp (kW)]	P2 [hp (kW)]	No. of poles	RPM	Starting method	I_N			I_{start}			$\eta_{motor} [\%]$			$\cos \varphi$			SF	Moment of inertia [lb ² ft ² (kgm ²)]	Breakdown torque M_{max} [lbf ² ft (Nm)]
							[A]	[A]	[A]	1/2	3/4	1/1	1/2	3/4	1/1						
60J	3 x 208 V D	3.7 (2.7)	3.0 (2.2)	4	1763	DOL	9.2	70	84.7	86.6	87.0	0.59	0.70	0.76	1.15	1.369 (0.0577)	26.6 (36)				
61R	3 x 230 V D/ 460 V Y	3.7 (2.7)	3.0 (2.2)	4	1763	Y/D	8.5 / 4.8	40 / 30	85.5	86.6	86.3	0.65	0.75	0.80	1.15	1.369 (0.0577)	26.6 (36)				
61L	3 x 575 V D Y/D	3.7 (2.7)	3.0 (2.2)	4	1763	Y/D	3.5	27	84.7	86.6	87.0	0.59	0.70	0.76	1.15	1.369 (0.0577)	26.6 (36)				

Pump data

Weight [lb. (kg)]	Impeller type	Max. solids size [in. (mm)]	Pump housing pressure PN	Max. number of starts per hour	Enclosure class	Insulation class	Temperature rise class	Max. liquid temperature [°F (°C)]	pH
224 (102)	SuperVortex	3 (80)	10	20	IP68	H	A	104 (40)	4-14

Performance curves: SLV.30.A40.55.2---C



TM04 7269 4318

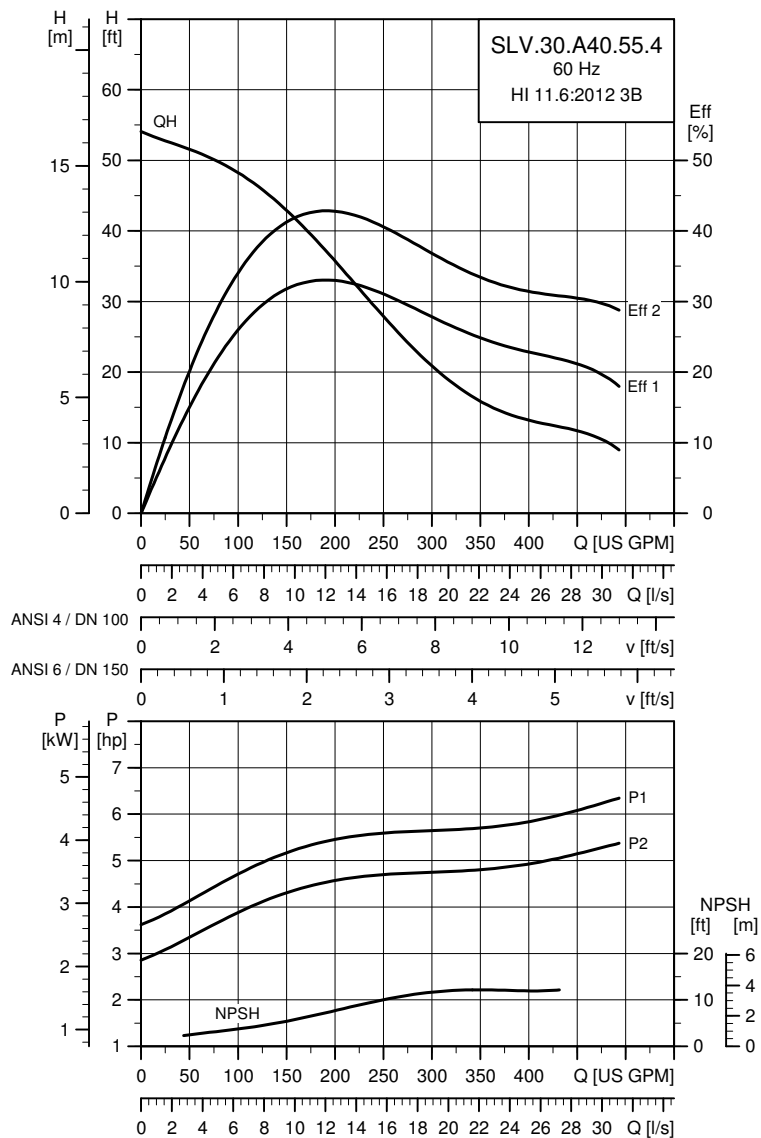
Electrical data

Pump type	Voltage [V]	P1 [hp (kW)]	P2 [hp (kW)]	No. of poles	RPM	Starting method	I_N			I_{start}			$\eta_{motor} [\%]$			$\cos \varphi$			SF	Moment of inertia [lb*ft ² (kgm ²)]	Breakdown torque M_{max} [lb*ft (Nm)]
							[A]	[A]	[A]	1/2	3/4	1/1	1/2	3/4	1/1						
61J	3 x 208 V D	6.7 (5.0)	5.5 (4.0)	2	1767	Y/D	15.0	166	82.0	85.0	86.0	0.76	0.84	0.88	1.15	3.097 (0.1305)	56				
61R	3 x 230 V D/ 460 V Y	6.7 (5.0)	5.5 (4.0)	2	1767	Y/D	13.8 / 7.2	120 / 80	82.0	85.0	86.0	0.76	0.84	0.88	1.15	3.097 (0.1305)	56				
61L	3 x 575 V D Y/D	6.8 (5.0)	5.5 (4.0)	2	1767	Y/D	5.7	64	82.0	85.0	86.0	0.76	0.84	0.88	1.15	3.097 (0.1305)	56				

Pump data

Weight [lb. (kg)]	Impeller type	Max. solids size [in. (mm)]	Pump housing pressure PN	Max. number of starts per hour	Enclosure class	Insulation class	Temperature rise class	Max. liquid temperature [°F (°C)]	pH
273 (124)	SuperVortex	3 (80)	10	20	IP68	H	A	104 (40)	4-14

Performance curves: SLV.30.A40.55.4---C



TM04 7270 4318

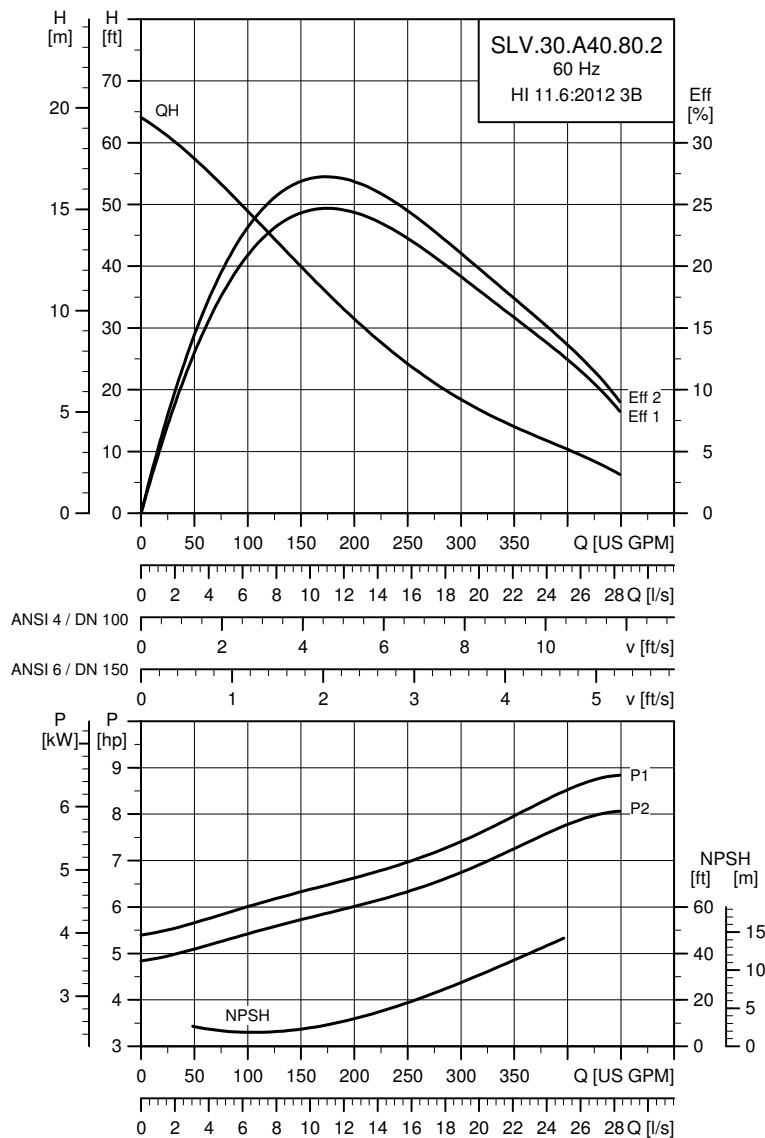
Electrical data

Pump type	Voltage [V]	P1 [hp (kW)]	P2 [hp (kW)]	No. of poles	RPM	Starting method	I_N			I_{start}			$\eta_{motor} [\%]$			$\cos \phi$			SF	Moment of inertia [lb ² ft ² (kgm ²)]	Breakdown torque M_{max} [lbf ² ft (Nm)]
							[A]	[A]	[A]	1/2	3/4	1/1	1/2	3/4	1/1						
60J	3 x 208 V D	6.5 (4.8)	5.5 (4.0)	4	3535	DOL	16.8	133	85.3	87.4	88.2	0.53	0.66	0.74	1.15	0.346 (0.0146)	61.2 (83)				
61R	3 x 230 V D/ 460 V Y	6.5 (4.8)	5.5 (4.0)	4	3535	Y/D	15.4 / 8.6	120 / 80	86.2	87.8	87.8	0.59	0.70	0.78	1.15	0.346 (0.0146)	48.7 (66)				
61L	3 x 575 V D Y/D	6.5 (4.8)	5.5 (4.0)	4	3535	Y/D	6.4	51	85.3	87.4	88.2	0.53	0.66	0.74	1.15	0.346 (0.0146)	61.2 (83)				

Pump data

Weight [lb. (kg)]	Impeller type	Max. solids size [in. (mm)]	Pump housing pressure PN	Max. number of starts per hour	Enclosure class	Insulation class	Temperature rise class	Max. liquid temperature [°F (°C)]	pH
288 (131)	SuperVortex	3 (80)	10	20	IP68	H	A	104 (40)	4-14

Performance curves: SLV.30.A40.80.2---C



TM04 7271 4318

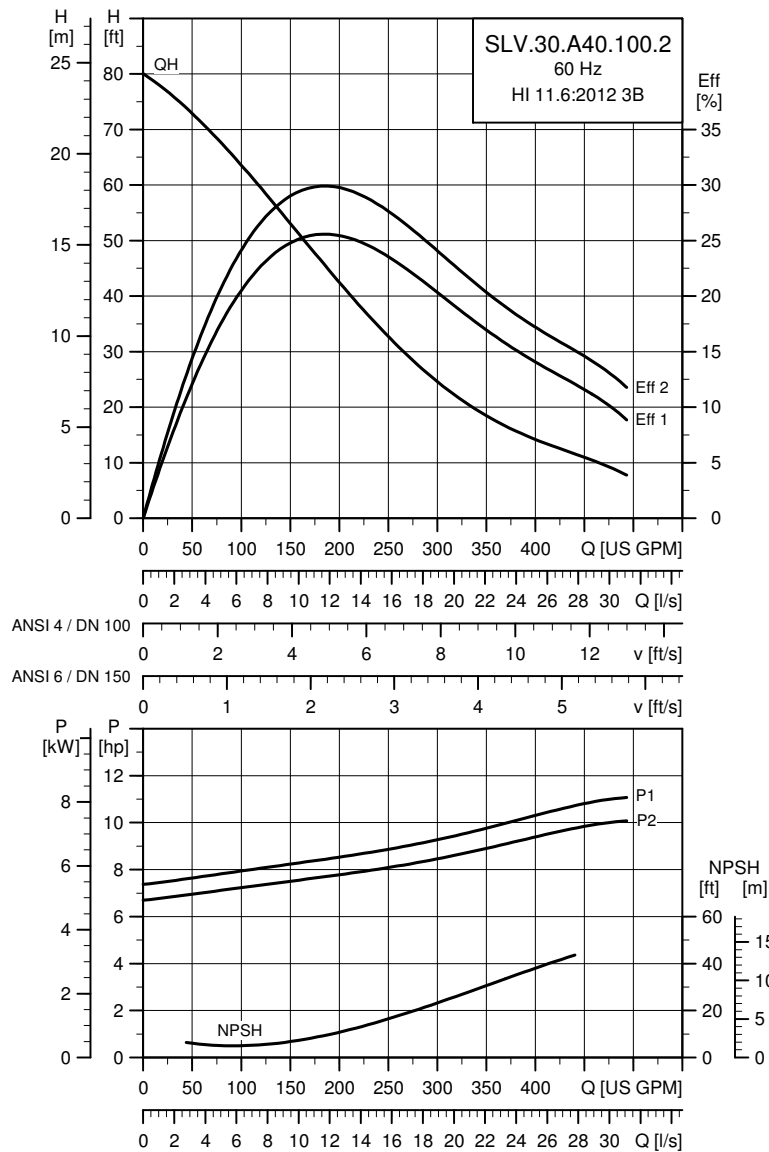
Electrical data

Pump type	Voltage [V]	P1 [hp (kW)]	P2 [hp (kW)]	No. of poles	RPM	Starting method	I_N			I_{start}			$\eta_{motor} [\%]$			$\cos \phi$			SF	Moment of inertia [lb*ft ² (kgm ²)]	Breakdown torque M_{max} [lb*ft (Nm)]
							[A]	[A]	[A]	1/2	3/4	1/1	1/2	3/4	1/1						
60J	3 x 208 V D	9.8 (7.2)	8.0 (6.0)	2	3549	DOL	22.5	215	89.5	89.7	90.2	0.70	0.79	0.83	1.15	0.638 (0.0269)	62.7 (85)				
61R	3 x 230 V D/ 460 V Y	9.8 (7.2)	8.0 (6.0)	2	3549	Y/D	20.4 / 10.9	170 / 120	89.8	90.8	90.7	0.75	0.84	0.87	1.15	0.638 (0.0269)	36.9 (50)				
61L	3 x 575 V D Y/D	9.8 (7.2)	8.0 (6.0)	2	3549	Y/D	8.6	82	89.5	89.7	90.2	0.70	0.79	0.83	1.15	0.638 (0.0269)	62.7 (85)				

Pump data

Weight [lb. (kg)]	Impeller type	Max. solids size [in. (mm)]	Pump housing pressure PN	Max. number of starts per hour	Enclosure class	Insulation class	Temperature rise class	Max. liquid temperature [°F (°C)]	pH
306 (139)	SuperVortex	3 (80)	10	20	IP68	H	A	104 (40)	4-14

Performance curves: SLV.30.A40.100.2---C



TM04 7272 4318

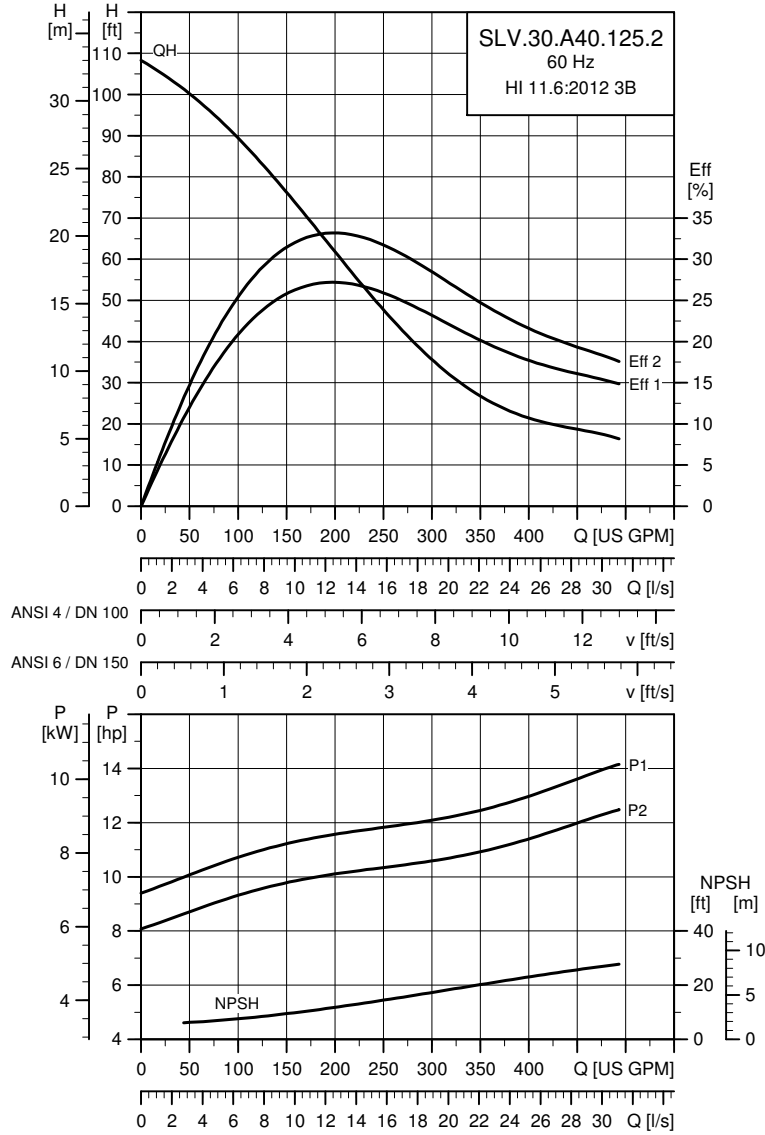
Electrical data

Pump type	Voltage [V]	P1 [hp (kW)]	P2 [hp (kW)]	No. of poles	RPM	Starting method	I_N			I_{start}			$\eta_{motor} [\%]$			$\cos \phi$			SF	Moment of inertia [lb*ft ² (kgm ²)]	Breakdown torque M_{max} [lbf*ft (Nm)]
							[A]	[A]	[A]	1/2	3/4	1/1	1/2	3/4	1/1						
60J	3 x 208 V D	11.8 (8.7)	10.0 (7.5)	2	3533	DOL	27.0	215	90.3	90.8	90.1	0.74	0.82	0.86	1.15	0.589 (0.0248)	62.7 (85)				
61R	3 x 230 V D/ 460 V Y	12.0 (8.8)	10.0 (7.5)	2	3533	Y/D	25.0 / 13.0	170 / 120	90.4	90.6	89.6	0.80	0.86	0.89	1.15	0.589 (0.0248)	36.9 (50)				
61L	3 x 575 V D Y/D	12.0 (8.8)	10.0 (7.5)	2	3533	Y/D	10.3	82	90.3	90.8	90.1	0.74	0.82	0.86	1.15	0.589 (0.0248)	62.7 (85)				

Pump data

Weight [lb. (kg)]	Impeller type	Max. solids size [in. (mm)]	Pump housing pressure PN	Max. number of starts per hour	Enclosure class	Insulation class	Temperature rise class	Max. liquid temperature [°F (°C)]	pH
307 (139)	SuperVortex	3 (80)	10	20	IP68	H	A	104 (40)	4-14

Performance curves: SLV.30.A40.125.2---C



TM04 7273 4318

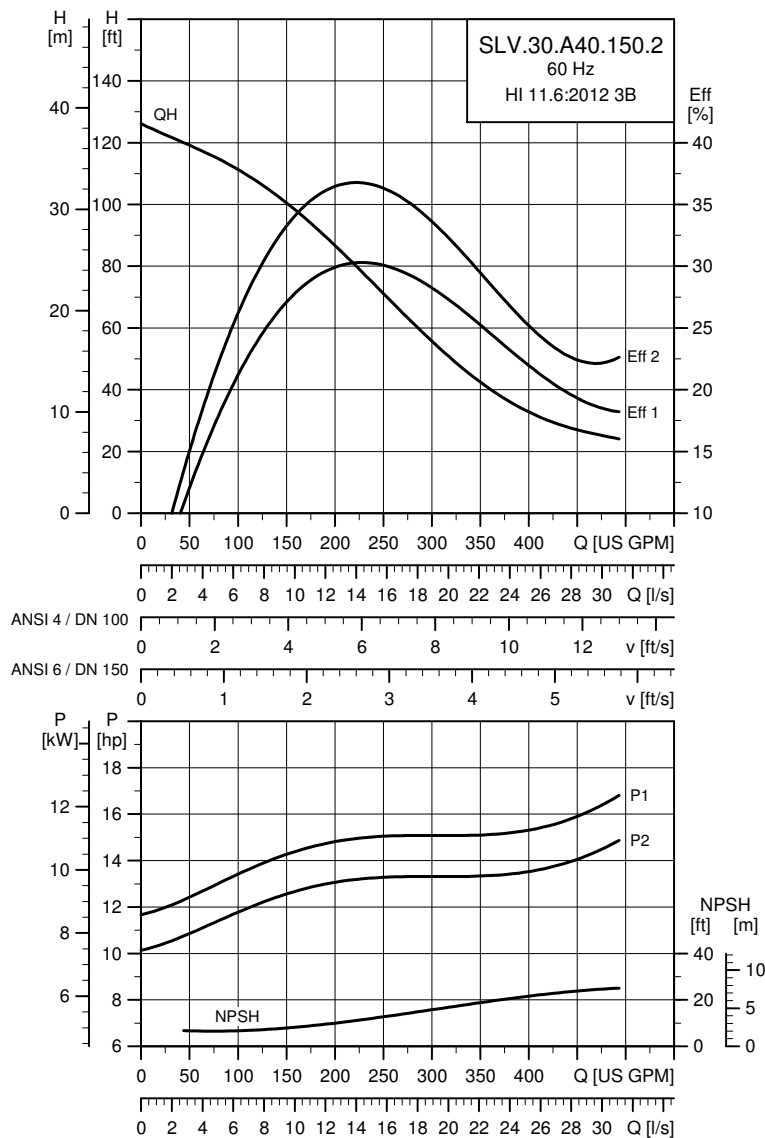
Electrical data

Pump type	Voltage [V]	P1 [hp (kW)]	P2 [hp (kW)]	No. of poles	RPM	Starting method	I _N			I _{start}			η _{motor} [%]			Cos φ			SF	Moment of inertia [lb ² ft ² (kgm ²)]	Breakdown torque M _{max} [lbf ² ft (Nm)]
							[A]	[A]	[A]	1/2	3/4	1/1	1/2	3/4	1/1						
60J	3 x 208 V D	14.4 (10.6)	12.5 (9.2)	2	3551	DOL	31.2	308	91.6	91.6	91.7	0.65	0.78	0.82	1.15	0.686 (0.0289)	81.1 (110)				
61R	3 x 230 V D/ 460 V Y	14.4 (10.6)	12.5 (9.2)	2	3551	Y/D	30.5 / 15.8	240 / 165	89.5	90.8	90.6	0.78	0.87	0.85	1.15	0.686 (0.0289)	45.7 (62)				
61L	3 x 575 V D Y/D	14.4 (10.6)	12.5 (9.2)	2	3551	Y/D	12.0	118	91.6	91.6	91.7	0.65	0.78	0.82	1.15	0.686 (0.0289)	81.1 (110)				

Pump data

Weight [lb. (kg)]	Impeller type	Max. solids size [in. (mm)]	Pump housing pressure PN	Max. number of starts per hour	Enclosure class	Insulation class	Temperature rise class	Max. liquid temperature [°F (°C)]	pH
387 (176)	SuperVortex	3 (80)	10	20	IP68	H	A	104 (40)	4-14

Performance curves: SLV.30.A40.150.2---C



TM04 7274 4318

Electrical data

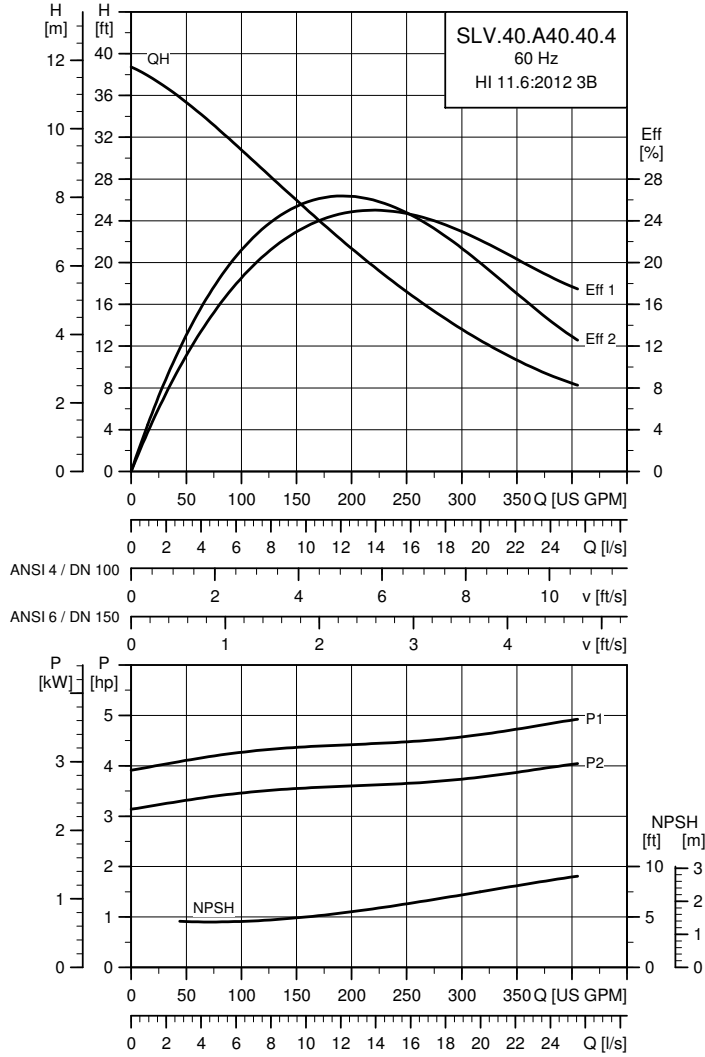
Pump type	Voltage [V]	P1 [hp (kW)]	P2 [hp (kW)]	No. of poles	RPM	Starting method	I _N			I _{start}			η _{motor} [%]			Cos φ			SF	Moment of inertia [lb ² ft ² (kgm ²)]	Breakdown torque M _{max} [lbf ² ft (Nm)]
							[A]	[A]	[A]	1/2	3/4	1/1	1/2	3/4	1/1						
60J	3 x 208 V D	17.0 (12.5)	15.0 (11.0)	2	3551	DOL	38.2	308	91.6	91.8	91.6	0.73	0.82	0.86	1.15	0.638 (0.0269)	81.1 (110)				
61R	3 x 230 V D/ 460 V Y	17.1 (12.6)	15.0 (11.0)	2	3551	Y/D	36.5 / 19.0	240 / 165	91.2	91.2	90.7	0.77	0.84	0.87	1.15	0.638 (0.0269)	81.1 (110)				
61L	3 x 575 V D Y/D	17.1 (12.6)	15.0 (11.0)	2	3551	Y/D	14.6	118	91.6	91.8	91.6	0.73	0.82	0.86	1.15	0.638 (0.0269)	81.1 (110)				

Pump data

Weight [lb. (kg)]	Impeller type	Max. solids size [in. (mm)]	Pump housing pressure PN	Max. number of starts per hour	Enclosure class	Insulation class	Temperature rise class	Max. liquid temperature [°F (°C)]	pH
386 (175)	SuperVortex	3 (80)	10	20	IP68	H	A	104 (40)	4-14

SLV.40.A40

Performance curves: SLV.40.A40.40.4---C



TM04 7275 4318

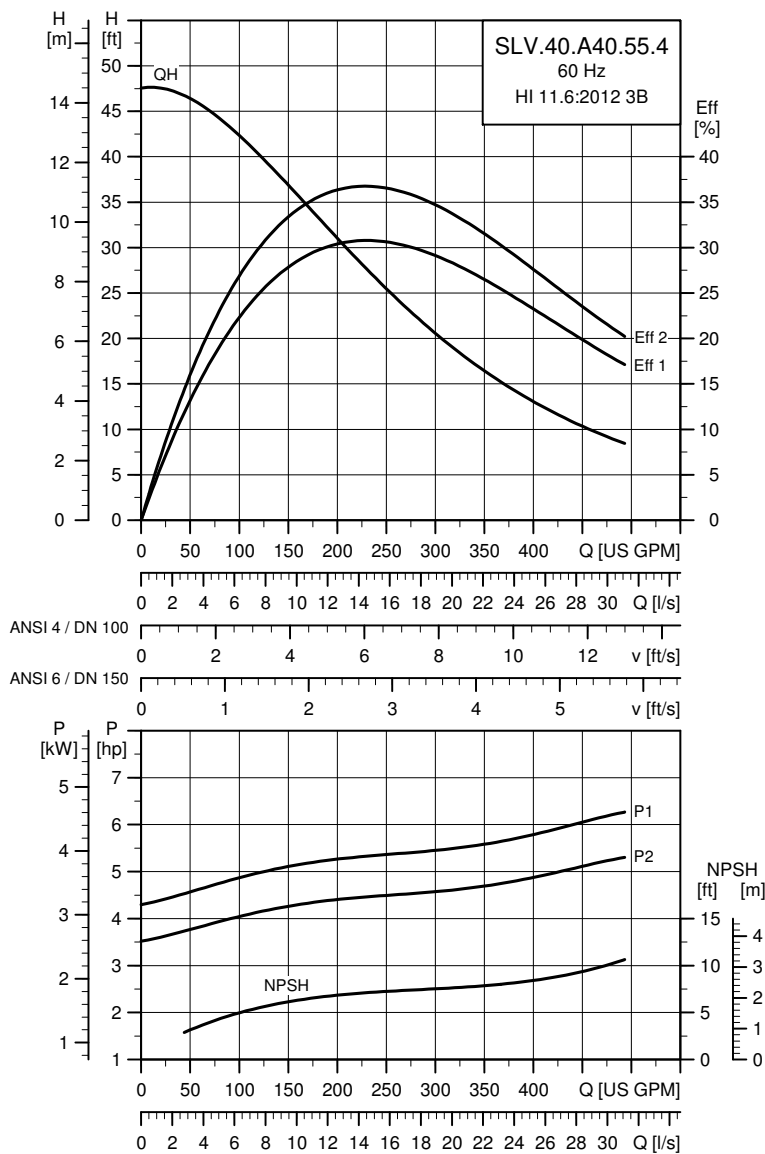
Electrical data

Pump type	Voltage [V]	P1 [hp (kW)]	P2 [hp (kW)]	No. of poles	RPM	Starting method	I_N			I_{start}			$\eta_{motor} [\%]$			$\cos \phi$			SF	Moment of inertia [lb·ft ² (kgm ²)]	Breakdown torque M_{max} [lb·ft (Nm)]
							[A]	[A]	[A]	1/2	3/4	1/1	1/2	3/4	1/1						
60J	3 x 208 V D	5.5 (4.0)	4.0 (3.0)	4	1755	DOL	12.2	98	84.6	86.3	86.4	0.63	0.75	0.79	1.15	3.097 (0.1305)	40.6 (55)				
61R	3 x 230 V D/ 460 V Y	5.1 (3.7)	4.0 (3.0)	4	1755	Y/D	11.4 / 6.2	75 / 50	85.0	86.0	85.6	0.70	0.79	0.82	1.15	3.097 (0.1305)	32.5 (44)				
61L	3 x 575 V D Y/D	5.1 (3.7)	4.0 (3.0)	4	1755	Y/D	10.0	79	84.6	86.3	86.4	0.63	0.75	0.79	1.15	3.097 (0.1305)	40.6 (55)				

Pump data

Weight [lb. (kg)]	Impeller type	Max. solids size [in. (mm)]	Pump housing pressure PN	Max. number of starts per hour	Enclosure class	Insulation class	Temperature rise class	Max. liquid temperature [°F (°C)]	pH
253 (114)	SuperVortex	4 (100)	10	20	IP68	H	A	104 (40)	4-14

Performance curves: SLV.40.A40.55.4---C



TM04 7276 4318

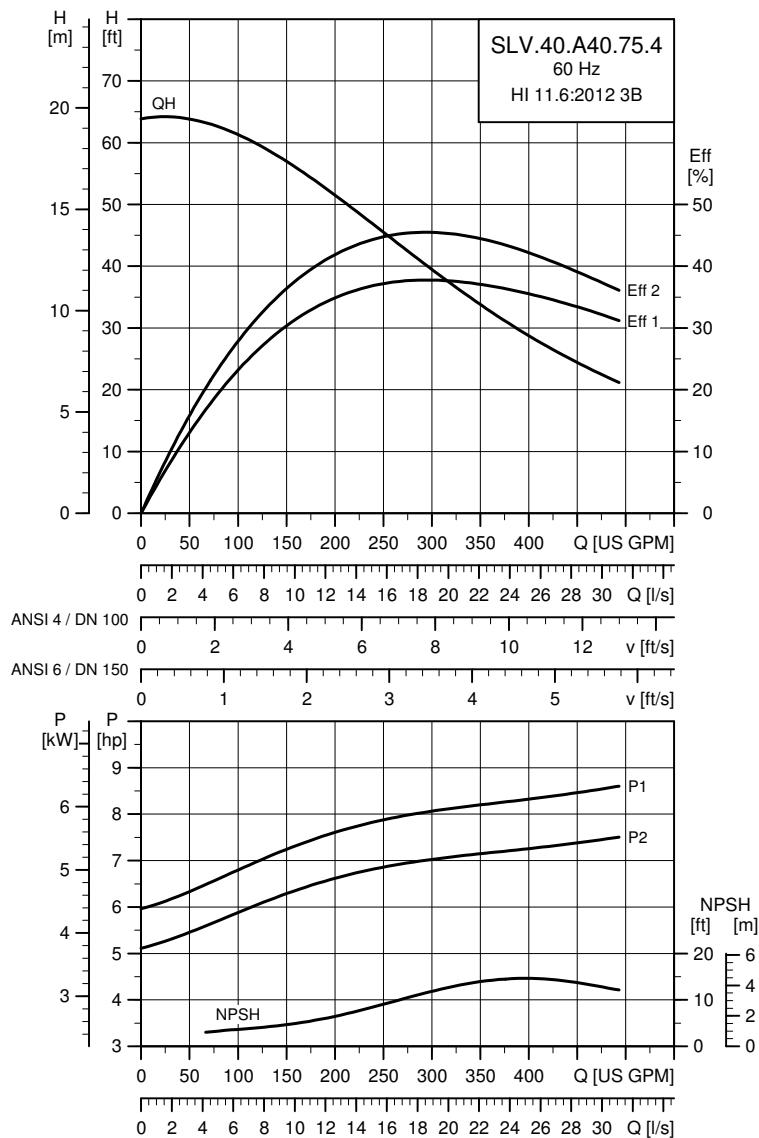
Electrical data

Pump type	Voltage [V]	P1 [hp (kW)]	P2 [hp (kW)]	No. of poles	RPM	Starting method	I_N			I_{start}			$\eta_{motor} [\%]$			$\cos \varphi$			SF	Moment of inertia [lb·ft ² (kgm ²)]	Breakdown torque M_{max} [lbf·ft (Nm)]
							[A]	[A]	[A]	1/2	3/4	1/1	1/2	3/4	1/1						
60J	3 x 208 V D	6.5 (4.8)	5.5 (4.0)	4	1767	DOL	16.8	133	85.3	87.4	88.2	0.53	0.66	0.74	1.15	3.073 (0.1295)	61.2 (83)				
61R	3 x 230 V D/ 460 V Y	6.5 (4.8)	5.5 (4.0)	4	1767	Y/D	15.4 / 8.6	120 / 80	86.2	87.8	87.8	0.59	0.70	0.78	1.15	3.073 (0.1295)	48.7 (66)				
61L	3 x 575 V D Y/D	6.5 (4.8)	5.5 (4.0)	4	1767	Y/D	6.4	51	85.3	87.4	88.2	0.53	0.66	0.74	1.15	3.073 (0.1295)	61.2 (83)				

Pump data

Weight [lb. (kg)]	Impeller type	Max. solids size [in. (mm)]	Pump housing pressure PN	Max. number of starts per hour	Enclosure class	Insulation class	Temperature rise class	Max. liquid temperature [°F (°C)]	pH
282 (128)	SuperVortex	4 (100)	10	20	IP68	H	A	104 (40)	4-14

Performance curves: SLV.40.A40.75.4---C



TM04 7277 4318

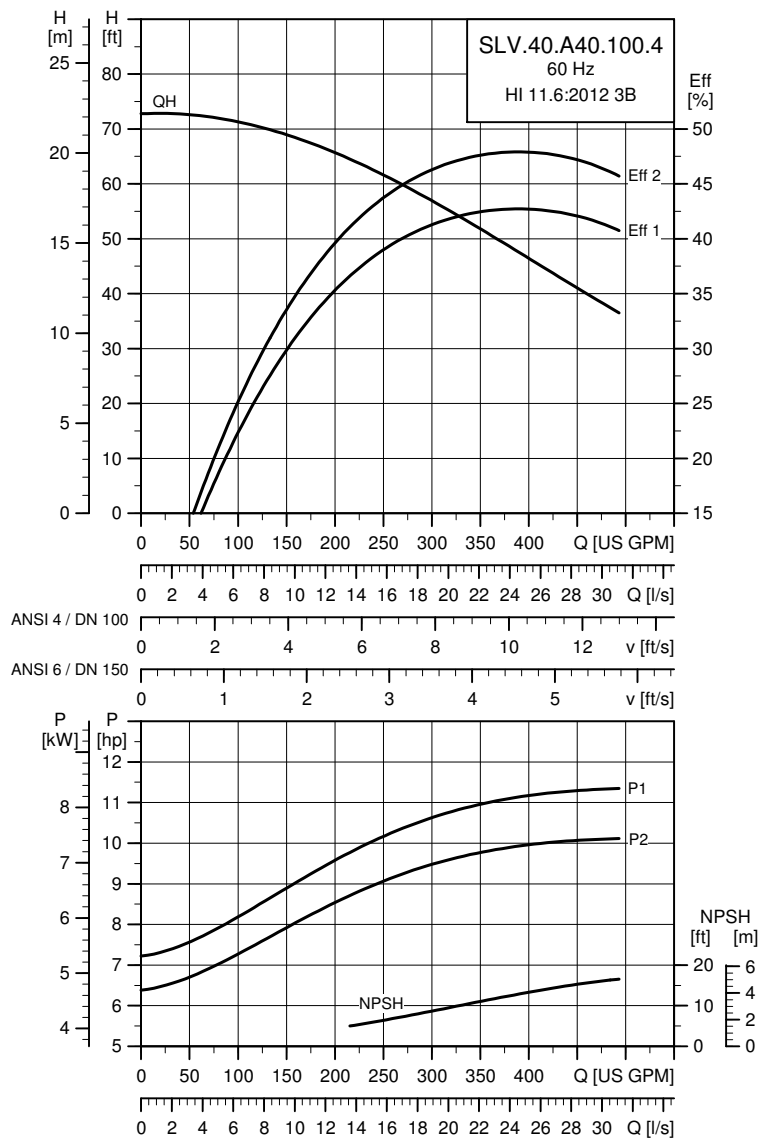
Electrical data

Pump type	Voltage [V]	P1 [hp (kW)]	P2 [hp (kW)]	No. of poles	RPM	Starting method	I_N			I_{start}			$\eta_{motor} [\%]$			$\cos \varphi$			SF	Moment of inertia [lb ² ft ² (kgm ²)]	Breakdown torque M_{max} [lb ² ft (Nm)]
							[A]	[A]	[A]	[A]	[A]	[A]	[A]	[A]	[A]	[A]	[A]	[A]			
60J	3 x 208 V D	8.5 (6.3)	7.5 (5.5)	4	1765	DOL	19.3	149	88.9	90.0	89.6	0.73	0.81	0.86	1.15	3.073 (0.1295)	73 (99)				
61R	3 x 230 V D/ 460 V Y	8.7 (6.4)	7.5 (5.5)	4	1765	Y/D	18.3 / 9.6	120 / 80	89.2	89.7	88.9	0.77	0.84	0.87	1.15	3.073 (0.1295)	60.5 (82)				
61L	3 x 575 V D Y/D	8.7 (6.4)	7.5 (5.5)	4	1765	Y/D	7.4	57	88.9	90.0	89.6	0.73	0.81	0.86	1.15	3.073 (0.1295)	73 (99)				

Pump data

Weight [lb. (kg)]	Impeller type	Max. solids size [in. (mm)]	Pump housing pressure PN	Max. number of starts per hour	Enclosure class	Insulation class	Temperature rise class	Max. liquid temperature [°F (°C)]	pH
305 (138)	SuperVortex	4 (100)	10	20	IP68	H	A	104 (40)	4-14

Performance curves: SLV.40.A40.100.4---C



TM04 7278 4318

Electrical data

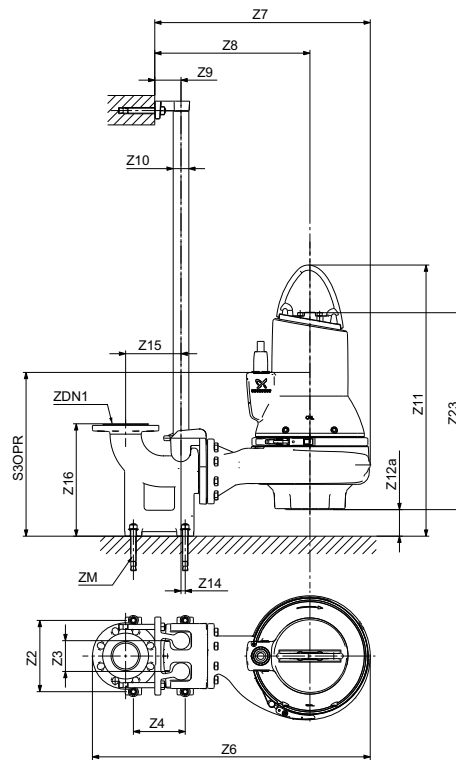
Pump type	Voltage [V]	P1 [hp (kW)]	P2 [hp (kW)]	No. of poles	RPM	Starting method	I _N		η _{motor} [%]			Cos φ			SF	Moment of inertia [lb·ft ² (kgm ²)]	Breakdown torque M _{max} [lbf·ft (Nm)]
							[A]	[A]	1/2	3/4	1/1	1/2	3/4	1/1			
60J	3 x 208 V D	11.4 (8.4)	10.0 (7.5)	4	1766	DOL	26.1	205	91.0	91.4	91.0	0.71	0.81	0.85	1.15	1.839 (0.0775)	118 (160)
61R	3 x 230 V D/ 460 V Y	11.6 (8.6)	10.0 (7.5)	4	1766	Y/D	24.5 / 13.1	160 / 110	90.9	91.1	90.3	0.75	0.84	0.87	1.15	1.839 (0.0775)	81.3 (110)
61L	3 x 575 V D Y/D	11.6 (8.6)	10.0 (7.5)	4	1766	Y/D	10.0	79	91.0	91.4	91.0	0.71	0.81	0.85	1.15	1.839 (0.0775)	118 (160)

Pump data

Weight [lb. (kg)]	Impeller type	Max. solids size [in. (mm)]	Pump housing pressure PN	Max. number of starts per hour	Enclosure class	Insulation class	Temperature rise class	Max. liquid temperature [°F (°C)]	pH
372 (169)	SuperVortex	4 (100)	10	20	IP68	H	A	104 (40)	4-14

11. Dimensions

Auto-coupling installation



TM04 2794 0917

SL1 pumps

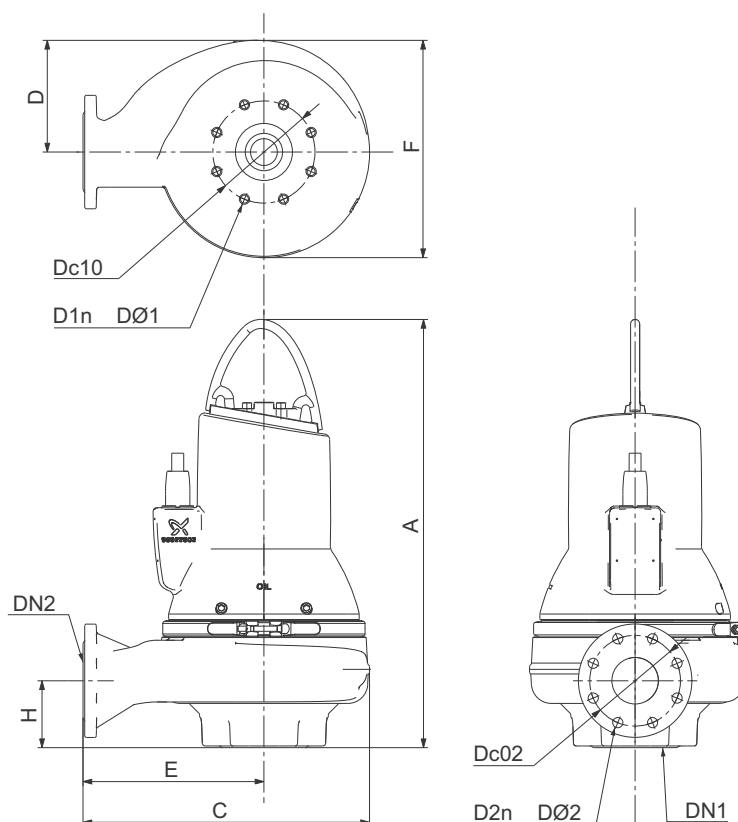
Pump type	Z2 in (mm)	Z3 in (mm)	Z4 in (mm)	Z6 in (mm)	Z7 in (mm)	Z8 in (mm)	Z9 in (mm)	Z10 in (mm)	Z11 in (mm)	Z12a in (mm)	Z14 in (mm)	Z15 in (mm)	Z16 in (mm)	Z23 in (mm)	ZDN1 ANSI (DIN)	S30PR in (mm)	ZM
SL1.20.A25.30.(A).(EX).2.--C	8.3 (210)	3.7 (95)	5.5 (140)	27.6 (700)	20.3 (514)	14.3 (364)	3.2 (81)	1.5 (40)	29.1 (738)	3.8 (97)	0.1 (1)	6.9 (175)	10.5 (266)	20.3 (516)	2.5" (DN 65)	18.2 (463)	4 x M16
SL1.20.A25.40.(A).(EX).2.--C	8.3 (210)	3.7 (95)	5.5 (140)	27.6 (700)	20.3 (514)	14.3 (364)	3.2 (81)	1.5 (40)	29.1 (738)	3.8 (97)	0.1 (1)	6.9 (175)	10.5 (266)	20.3 (516)	2.5" (DN 65)	18.4 (468)	4 x M16
SL1.20.A25.55.(A).(EX).2.--C	8.3 (210)	3.7 (95)	5.5 (140)	29.2 (741)	21.9 (555)	14.8 (375)	3.2 (81)	1.5 (40)	30.5 (774)	3.8 (97)	0.1 (1)	6.9 (175)	10.5 (266)	21.7 (552)	2.5" (DN 65)	18.1 (460)	4 x M16
SL1.20.A30.30.(A).(EX).2.--C	8.7 (220)	3.7 (95)	6.3 (160)	28.3 (719)	20.7 (526)	14.8 (376)	3.2 (81)	1.5 (40)	30.4 (772)	5.2 (131)	0.51 (13)	6.7 (171)	13.6 (345)	20.3 (516)	3" (DN 80)	19.5 (495)	4 x M16
SL1.20.A30.40.(A).(EX).2.--C	8.7 (220)	3.7 (95)	6.3 (160)	28.3 (719)	20.7 (526)	14.8 (376)	3.2 (81)	1.5 (40)	30.4 (772)	5.2 (131)	0.5 (13)	6.7 (171)	13.6 (345)	20.3 (516)	3" (DN 80)	19.7 (500)	4 x M16
SL1.20.A30.55.(A).(EX).2.--C	8.7 (220)	3.7 (95)	6.3 (160)	29.9 (760)	22.4 (567)	15.2 (387)	3.2 (81)	1.5 (40)	31.8 (808)	5.2 (131)	0.5 (13)	6.7 (171)	13.6 (345)	21.7 (552)	3" (DN 80)	19.5 (495)	4 x M16
SL1.30.A30.20.(A).(EX).4.--C	8.7 (220)	3.7 (95)	6.3 (160)	31 (788)	23.5 (595)	17 (432)	3.2 (81)	1.5 (40)	31.3 (793)	4.4 (111)	0.5 (13)	6.7 (171)	13.6 (345)	21.9 (557)	3" (DN 80)	20.2 (513)	4 x M16
SL1.30.A30.30.(A).(EX).4.--C	8.7 (220)	3.7 (95)	6.3 (160)	31 (788)	23.5 (595)	17 (432)	3.2 (81)	1.5 (40)	31.3 (793)	4.4 (111)	0.5 (13)	6.7 (171)	13.6 (345)	21.9 (557)	3" (DN 80)	20.4 (518)	4 x M16
SL1.30.A30.40.(A).(EX).4.--C	8.7 (220)	3.7 (95)	6.3 (160)	33.8 (858)	26.2 (665)	18.9 (479)	3.2 (81)	1.5 (40)	31.3 (793)	3.2 (82)	0.5 (13)	6.7 (171)	13.6 (345)	23.1 (586)	3" (DN 80)	20.2 (512)	4 x M16
SL1.30.A30.55.(A).(EX).4.--C	8.7 (220)	3.7 (95)	6.3 (160)	33.8 (858)	26.2 (665)	18.9 (479)	3.2 (81)	1.5 (40)	32.7 (830)	3.2 (82)	0.5 (13)	6.7 (171)	13.6 (345)	24.5 (623)	3" (DN 80)	20.4 (517)	4 x M16
SL1.30.A30.75.(A).(EX).4.--C	8.7 (220)	3.7 (95)	6.3 (160)	33.8 (858)	26.2 (665)	18.9 (479)	3.2 (81)	1.5 (40)	33 (837)	3.2 (82)	0.5 (13)	6.7 (171)	13.6 (345)	23.4 (595)	3" (DN 80)	20 (507)	4 x M16
SL1.30.A30.100.(A).(EX).4.--C	8.7 (220)	3.7 (95)	6.3 (160)	34.8 (883)	27.2 (690)	19.2 (488)	3.2 (81)	1.5 (40)	35.5 (900)	3.2 (82)	0.5 (13)	6.7 (171)	13.6 (345)	25.9 (658)	3" (DN 80)	20.8 (528)	4 x M16
SL1.30.A40.20.(A).(EX).4.--C	10.2 (260)	4.3 (110)	8.7 (220)	34.6 (878)	25.7 (652)	19.3 (489)	4.3 (110)	2 (50)	32.8 (832)	5.9 (150)	0 (0)	8.7 (220)	16.3 (413)	21.9 (557)	4" (DN 100)	21.8 (553)	4 x M16
SL1.30.A40.30.(A).(EX).4.--C	10.2 (260)	4.3 (110)	8.7 (220)	34.6 (878)	25.7 (652)	19.3 (489)	4.3 (110)	2 (50)	32.8 (832)	5.9 (150)	0 (0)	8.7 (220)	16.3 (413)	21.9 (557)	4" (DN 100)	22 (558)	4 x M16
SL1.30.A40.40.(A).(EX).4.--C	10.2 (260)	4.3 (110)	8.7 (220)	37.3 (948)	28.5 (722)	21.1 (536)	4.3 (110)	2 (50)	33.5 (851)	4.9 (125)	0 (0)	8.7 (220)	16.3 (413)	23.7 (601)	4" (DN 100)	21.9 (555)	4 x M16
SL1.30.A40.55.(A).(EX).4.--C	10.2 (260)	4.3 (110)	8.7 (220)	37.3 (948)	28.5 (722)	21.1 (536)	4.3 (110)	2 (50)	34.37 (873)	4.9 (125)	0 (0)	8.7 (220)	16.3 (413)	24.5 (623)	4" (DN 100)	22 (560)	4 x M16
SL1.30.A40.75.(A).(EX).4.--C	10.2 (260)	4.3 (110)	8.7 (220)	37.3 (948)	28.5 (722)	21.1 (536)	4.3 (110)	2 (50)	34.7 (880)	4.9 (125)	0 (0)	8.7 (220)	16.3 (413)	23.4 (595)	4" (DN 100)	21.7 (550)	4 x M16

Pump type	Z2 in (mm)	Z3 in (mm)	Z4 in (mm)	Z6 in (mm)	Z7 in (mm)	Z8 in (mm)	Z9 in (mm)	Z10 in (mm)	Z11 in (mm)	Z12a in (mm)	Z14 in (mm)	Z15 in (mm)	Z16 in (mm)	Z23 in (mm)	ZDN1 ANSI (DIN)	S30PR in (mm)	ZM
SL1.30.A40.100.(A).(EX).4.--C	10.2 (260)	4.3 (110)	8.7 (220)	38.3 (973)	29.5 (747)	21.5 (545)	4.3 (110)	2 (50)	37.1 (942)	4.9 (124)	0 (0)	8.7 (220)	16.3 (413)	25.9 (658)	4" (DN 100)	22.2 (565)	4 x M16
SL1.40.A40.55.(A).(EX).4.--C	10.2 (260)	4.3 (110)	8.7 (220)	38.7 (984)	29.9 (758)	21.1 (537)	4.3 (110)	2 (50)	34.7 (880)	4.9 (125)	0 (0)	8.7 (220)	16.3 (413)	24.8 (630)	4" (DN 100)	22.5 (572)	4 x M16
SL1.40.A40.75.(A).(EX).4.--C	10.2 (260)	4.3 (110)	8.7 (220)	38.7 (984)	29.9 (758)	21.1 (537)	4.3 (110)	2 (50)	35 (887)	4.9 (125)	0 (0)	8.7 (220)	16.3 (413)	23.7 (602)	4" (DN 100)	22.1 (562)	4 x M16
SL1.40.A40.100.(A).(EX).4.--C	10.2 (260)	4.3 (110)	8.7 (220)	38.7 (984)	29.9 (758)	20.8 (529)	4.3 (110)	2 (50)	37.5 (952)	4.9 (125)	0 (0)	8.7 (220)	16.3 (413)	26.3 (667)	4" (DN 100)	22.7 (576)	4 x M16
SL1.40.A60.55.(A).(EX).4.--C	11.8 (300)	4.3 (110)	11 (280)	43 (1093)	31 (780)	22 (559)	4.3 (110)	2 (50)	36.18 (919)	6.5 (164)	0 (0)	11 (280)	17.7 (450)	24.8 (630)	6" (DN 150)	24.1 (611)	4 x M16
SL1.40.A60.75.(A).(EX).4.--C	11.8 (300)	4.3 (110)	11 (280)	43 (1093)	30.8 (780)	22 (559)	4.3 (110)	2 (50)	36.5 (926)	6.5 (164)	0 (0)	11 (280)	17.7 (450)	23.7 (602)	6" (DN 150)	23.7 (601)	4 x M16
SL1.40.A60.100.(A).(EX).4.--C	11.8 (300)	4.3 (110)	11 (280)	43 (1093)	30.8 (780)	21.5 (545)	4.3 (110)	2 (50)	39.1 (991)	6.5 (164)	0 (0)	11 (280)	17.7 (450)	26.3 (667)	6" (DN 150)	24.2 (615)	4 x M16

SLV pumps

Pump type	Z2 in (mm)	Z3 in (mm)	Z4 in (mm)	Z6 in (mm)	Z7 in (mm)	Z8 in (mm)	Z9 in (mm)	Z10 in (mm)	Z11 in (mm)	Z12a in (mm)	Z14 in (mm)	Z15 in (mm)	Z16 in (mm)	Z23 in (mm)	ZDN1 ANSI (DIN)	S30PR in (mm)	ZM
SLV.25.A25.30.(A).(EX).2.--C	8.3 (210)	3.7 (95)	5.5 (140)	28.7 (730)	21.5 (544)	15.5 (394)	3.2 (81)	1.5 (40)	29.5 (748)	2.5 (64)	0.1 (1)	6.9 (175)	10.5 (266)	22 (559)	2.5" (DN 65)	18.9 (479)	4 x M16
SLV.25.A25.40.(A).(EX).2.--C	8.3 (210)	3.7 (95)	5.5 (140)	28.7 (730)	21.5 (544)	15.5 (394)	3.2 (81)	1.5 (40)	29.5 (748)	2.5 (64)	0.1 (1)	6.9 (175)	10.5 (266)	22 (559)	2.5" (DN 65)	19.1 (485)	4 x M16
SLV.25.A25.55.(A).(EX).2.--C	8.3 (210)	3.7 (95)	5.5 (140)	31.1 (790)	23.8 (604)	16.7 (424)	3.2 (81)	1.5 (40)	30.7 (778)	2.4 (60)	0.1 (1)	6.9 (175)	10.5 (266)	23.3 (593)	2.5" (DN 65)	18.7 (476)	4 x M16
SLV.25.A30.30.(A).(EX).2.--C	8.7 (220)	3.7 (95)	6.3 (160)	29.5 (750)	22 (557)	16 (407)	3.2 (81)	1.5 (40)	30.8 (782)	3.8 (97)	0.51 (13)	6.7 (171)	13.6 (345)	22 (560)	3" (DN 80)	20.2 (513)	4 x M16
SLV.25.A30.40.(A).(EX).2.--C	8.7 (220)	3.7 (95)	6.3 (160)	29.5 (750)	22 (557)	16 (407)	3.2 (81)	1.5 (40)	30.8 (782)	3.8 (97)	0.6 (13)	6.7 (171)	13.6 (345)	22 (560)	3" (DN 80)	20.4 (518)	4 x M16
SLV.25.A30.55.(A).(EX).2.--C	8.7 (220)	3.7 (95)	6.3 (160)	31.8 (808)	24.3 (615)	17.2 (436)	3.2 (81)	1.5 (40)	32 (812)	3.7 (94)	0.6 (13)	6.7 (171)	13.6 (345)	23.3 (593)	3" (DN 80)	20.1 (510)	4 x M16
SLV.30.A30.15.(A).(EX).4.--C	8.7 (220)	3.7 (95)	6.3 (160)	30 (762)	22.4 (569)	15.8 (401)	3.2 (81)	1.5 (40)	31.6 (802)	3.6 (91)	0.6 (13)	6.7 (171)	13.6 (345)	23.1 (586)	3" (DN 80)	20.7 (526)	4 x M16
SLV.30.A30.18.(A).(EX).4.--C	8.7 (220)	3.7 (95)	6.3 (160)	30 (762)	22.4 (569)	15.8 (401)	3.2 (81)	1.5 (40)	31.6 (802)	3.6 (91)	0.6 (13)	6.7 (171)	13.6 (345)	23.1 (586)	3" (DN 80)	20.7 (526)	4 x M16
SLV.30.A30.20.(A).(EX).4.--C	8.7 (220)	3.7 (95)	6.3 (160)	30 (762)	22.4 (569)	15.8 (401)	3.2 (81)	1.5 (40)	31.6 (802)	3.6 (91)	0.6 (13)	6.7 (171)	13.6 (345)	23.1 (586)	3" (DN 80)	20.7 (526)	4 x M16
SLV.30.A30.30.(A).(EX).4.--C	8.7 (220)	3.7 (95)	6.3 (160)	30 (762)	22.4 (569)	15.8 (401)	3.2 (81)	1.5 (40)	31.6 (802)	3.6 (91)	0.6 (13)	6.7 (171)	13.6 (345)	23.1 (586)	3" (DN 80)	20.9 (531)	4 x M16
SLV.30.A30.55.(A).(EX).2.--C	8.7 (220)	3.7 (95)	6.3 (160)	31.9 (809)	24.3 (616)	17.2 (436)	3.2 (81)	1.5 (40)	33.1 (840)	3.8 (96)	0.6 (13)	6.7 (171)	13.6 (345)	24.4 (619)	3" (DN 80)	21.1 (537)	4 x M16
SLV.30.A30.55.(A).(EX).4.--C	8.7 (220)	3.7 (95)	6.3 (160)	32 (813)	24.5 (620)	16.8 (427)	3.2 (81)	1.5 (40)	33.1 (839)	3.6 (91)	0.6 (13)	6.7 (171)	13.6 (345)	24.5 (623)	3" (DN 80)	21.1 (537)	4 x M16
SLV.30.A30.80.(A).(EX).2.--C	8.7 (220)	3.7 (95)	6.3 (160)	31.9 (809)	24.3 (616)	17.2 (436)	3.2 (81)	1.5 (40)	33.4 (847)	3.8 (96)	0.6 (13)	6.7 (171)	13.6 (345)	23.3 (591)	3" (DN 80)	20.7 (527)	4 x M16
SLV.30.A30.100.(A).(EX).2.--C	8.7 (220)	3.7 (95)	6.3 (160)	31.9 (809)	24.3 (616)	17.2 (436)	3.2 (81)	1.5 (40)	33.4 (847)	3.8 (96)	0.6 (13)	6.7 (171)	13.6 (345)	23.3 (591)	3" (DN 80)	20.7 (527)	4 x M16
SLV.30.A30.125.(A).(EX).2.--C	8.7 (220)	3.7 (95)	6.3 (160)	33.2 (842)	25.6 (649)	17.8 (453)	3.2 (81)	1.5 (40)	33.9 (859)	3 (77)	0.6 (13)	6.7 (171)	13.6 (345)	24.5 (622)	3" (DN 80)	21.1 (535)	4 x M16
SLV.30.A30.150.(A).(EX).2.--C	8.7 (220)	3.7 (95)	6.3 (160)	33.2 (842)	25.6 (649)	17.8 (453)	3.2 (81)	1.5 (40)	33.9 (859)	3 (77)	0.6 (13)	6.7 (171)	13.6 (345)	24.5 (622)	3" (DN 80)	21.1 (535)	4 x M16
SLV.30.A40.15.(A).(EX).4.--C	10.3 (260)	4.3 (110)	8.7 (220)	33.5 (850)	24.6 (624)	18 (458)	4.3 (110)	2 (50)	33.2 (842)	5.2 (131)	0 (0)	8.7 (220)	16.3 (413)	23.1 (586)	4" (DN 100)	22.4 (569)	4 x M16
SLV.30.A40.18.(A).(EX).4.--C	10.3 (260)	4.3 (110)	8.7 (220)	33.5 (850)	24.6 (624)	18 (458)	4.3 (110)	2 (50)	33.2 (842)	5.2 (131)	0 (0)	8.7 (220)	16.3 (413)	23.1 (586)	4" (DN 100)	22.4 (569)	4 x M16
SLV.30.A40.20.(A).(EX).4.--C	10.3 (260)	4.3 (110)	8.7 (220)	33.5 (850)	24.6 (624)	18 (458)	4.3 (110)	2 (50)	33.2 (842)	5.2 (131)	0 (0)	8.7 (220)	16.3 (413)	23.1 (586)	4" (DN 100)	22.4 (569)	4 x M16
SLV.30.A40.30.(A).(EX).4.--C	10.3 (260)	4.3 (110)	8.7 (220)	33.5 (850)	24.6 (624)	18 (458)	4.3 (110)	2 (50)	33.2 (842)	5.2 (131)	0 (0)	8.7 (220)	16.3 (413)	23.1 (586)	4" (DN 100)	22.6 (574)	4 x M16
SLV.30.A40.55.(A).(EX).2.--C	10.3 (260)	4.3 (110)	8.7 (220)	35.8 (909)	26.9 (683)	19.8 (503)	4.3 (110)	2 (50)	34.7 (880)	5.4 (136)	0 (0)	8.7 (220)	16.3 (413)	24.4 (619)	4" (DN 100)	22.4 (570)	4 x M16
SLV.30.A40.55.(A).(EX).4.--C	10.3 (260)	4.3 (110)	8.7 (220)	35.5 (901)	26.6 (675)	19.1 (484)	4.3 (110)	2 (50)	34.7 (879)	5.2 (131)	0 (0)	8.7 (220)	16.3 (413)	24.5 (623)	4" (DN 100)	22.4 (570)	4 x M16
SLV.30.A40.80.(A).(EX).2.--C	10.3 (260)	4.3 (110)	8.7 (220)	35.8 (909)	26.9 (683)	19.8 (503)	4.3 (110)	2 (50)	35 (887)	5.4 (136)	0 (0)	8.7 (220)	16.3 (413)	23.3 (591)	4" (DN 100)	22.0 (560)	4 x M16
SLV.30.A40.100.(A).(EX).2.--C	10.3 (260)	4.3 (110)	8.7 (220)	35.8 (909)	26.9 (683)	19.8 (503)	4.3 (110)	2 (50)	35 (887)	5.4 (136)	0 (0)	8.7 (220)	16.3 (413)	23.3 (591)	4" (DN 100)	22.0 (560)	4 x M16
SLV.30.A40.125.(A).(EX).2.--C	10.3 (260)	4.3 (110)	8.7 (220)	37.1 (942)	28.2 (716)	20.5 (520)	4.3 (110)	2 (50)	35.4 (899)	4.6 (117)	0 (0)	8.7 (220)	16.3 (413)	24.5 (622)	4" (DN 100)	22.5 (571)	4 x M16
SLV.30.A40.150.(A).(EX).2.--C	10.3 (260)	4.3 (110)	8.7 (220)	37.1 (942)	28.2 (716)	20.5 (520)	4.3 (110)	2 (50)	35.4 (899)	4.6 (117)	0 (0)	8.7 (220)	16.3 (413)	24.5 (622)	4" (DN 100)	22.5 (571)	4 x M16
SLV.40.A40.40.(A).(EX).4.--C	10.3 (260)	4.3 (110)	8.7 (220)	35.4 (900)	26.6 (674)	19.4 (494)	4.3 (110)	2 (50)	33.2 (843)	4.2 (106)	0 (0)	8.7 (220)	16.3 (413)	24.1 (612)	4" (DN 100)	21.7 (552)	4 x M16
SLV.40.A40.55.(A).(EX).4.--C	10.3 (260)	4.3 (110)	8.7 (220)	35.4 (900)	26.6 (674)	19.4 (494)	4.3 (110)	2 (50)	34.1 (865)	4.2 (106)	0 (0)	8.7 (220)	16.3 (413)	25 (634)	4" (DN 100)	21.9 (557)	4 x M16
SLV.40.A40.75.(A).(EX).4.--C	10.3 (260)	4.3 (110)	8.7 (220)	35.4 (900)	26.6 (674)	19.4 (494)	4.3 (110)	2 (50)	34.33 (872)	4.2 (106)	0 (0)	8.7 (220)	16.3 (413)	23.9 (606)	4" (DN 100)	21.5 (547)	4 x M16
SLV.40.A40.100.(A).(EX).4.--C	10.3 (260)	4.3 (110)	8.7 (220)	36.7 (933)	27.9 (707)	20.1 (511)	4.3 (110)	2 (50)	37 (937)	3.7 (95)	0 (0)	8.7 (220)	16.3 (413)	26.9 (682)	4" (DN 100)	21.9 (555)	4 x M16

Free standing installation (without ring stand)



TM04 2793 5116

SL1 pumps

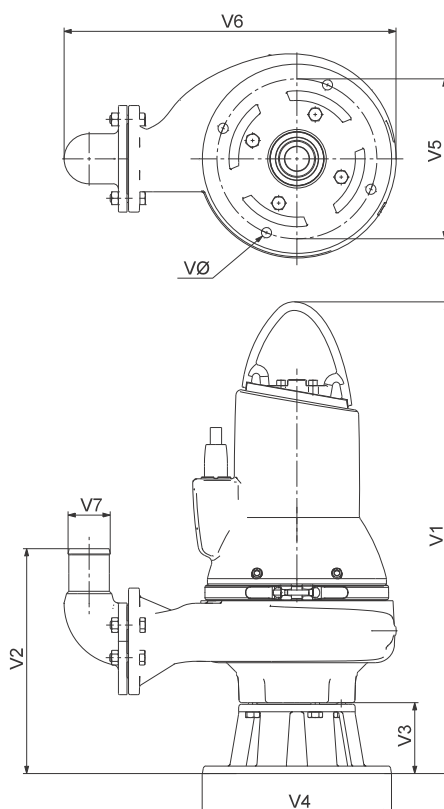
Pump type	A in (mm)	C in (mm)	D in (mm)	E in (mm)	F in (mm)	H in (mm)	DN1 ANSI (DIN)	Dc10 in (mm)	D1n DØ1	DN2 ANSI (DIN)	Dc02 in (mm)	D2n DØ2 in (mm)
SL1.20.A25.30.(A).(EX).2.--C	25.2 (641)	14.4 (366)	6.7 (171)	8.5 (216)	12.6 (321)	3.7 (69)	2.5" (DN 65)	5.5 (140)	4 x M16	2.5" (DN 65)	5.5 (140)	4 x 0.75 (19.1)
SL1.20.A25.40.(A).(EX).2.--C	25.2 (641)	14.4 (366)	6.7 (171)	8.5 (216)	12.6 (321)	3.7 (69)	2.5" (DN 65)	5.5 (140)	4 x M16	2.5" (DN 65)	5.5 (140)	4 x 0.75 (19.1)
SL1.20.A25.55.(A).(EX).2.--C	26.7 (677)	16 (407)	7.9 (200)	8.9 (227)	14.9 (379)	3.7 (69)	2.5" (DN 65)	5.5 (140)	4 x M16	2.5" (DN 65)	5.5 (140)	4 x 0.75 (19.1)
SL1.20.A30.30.(A).(EX).2.--C	25.2 (641)	14.4 (366)	6.7 (171)	8.5 (216)	12.6 (321)	3.9 (69)	2.5" (DN 65)	5.5 (140)	4 x M16	3" (DN 80)	6 (153)	8 x 0.75 (19.1)
SL1.20.A30.40.(A).(EX).2.--C	25.2 (641)	14.4 (366)	6.7 (171)	8.5 (216)	12.6 (321)	3.9 (69)	2.5" (DN 65)	5.5 (140)	4 x M16	3" (DN 80)	6 (153)	8 x 0.75 (19.1)
SL1.20.A30.55.(A).(EX).2.--C	26.7 (677)	16 (407)	7.9 (200)	8.9 (227)	14.9 (379)	3.9 (69)	2.5" (DN 65)	5.5 (140)	4 x M16	3" (DN 80)	6 (153)	8 x 0.75 (19.1)
SL1.30.A30.20.(A).(EX).4.--C	26.9 (682)	17.1 (435)	6.7 (171)	10.7 (272)	13.7 (347)	3.9 (89)	4" (DN 100)	7.5 (191)	8 x M16	3" (DN 80)	6 (153)	8 x 0.75 (19.1)
SL1.30.A30.30.(A).(EX).4.--C	26.9 (682)	17.1 (435)	6.7 (171)	10.7 (272)	13.7 (347)	3.9 (89)	4" (DN 100)	7.5 (191)	8 x M16	3" (DN 80)	6 (153)	8 x 0.75 (19.1)
SL1.30.A30.40.(A).(EX).4.--C	28 (711)	19.9 (505)	7.9 (200)	12.6 (319)	15.6 (397)	4.6 (118)	4" (DN 100)	7.5 (191)	8 x M16	3" (DN 80)	6 (153)	8 x 0.75 (19.1)
SL1.30.A30.55.(A).(EX).4.--C	29.4 (748)	19.9 (505)	7.9 (200)	12.6 (319)	15.6 (397)	4.6 (118)	4" (DN 100)	7.5 (191)	8 x M16	3" (DN 80)	6 (153)	8 x 0.75 (19.1)
SL1.30.A30.75.(A).(EX).4.--C	29.7 (755)	19.9 (505)	7.9 (200)	12.6 (319)	15.6 (397)	4.6 (118)	4" (DN 100)	7.5 (191)	8 x M16	3" (DN 80)	6 (153)	8 x 0.75 (19.1)
SL1.30.A30.100.(A).(EX).4.--C	32.2 (818)	20.9 (530)	8.5 (217)	12.9 (328)	16.7 (423)	4.6 (118)	4" (DN 100)	7.5 (191)	8 x M16	3" (DN 80)	6 (153)	8 x 0.75 (19.1)
SL1.30.A40.20.(A).(EX).4.--C	26.9 (682)	17.1 (435)	6.7 (171)	10.7 (272)	13.7 (347)	4.4 (90)	4" (DN 100)	7.5 (191)	8 x M16	4" (DN 100)	7.5 (191)	8 x 0.75 (19.1)
SL1.30.A40.30.(A).(EX).4.--C	26.9 (682)	17.1 (435)	6.7 (171)	10.7 (272)	13.7 (347)	4.4 (90)	4" (DN 100)	7.5 (191)	8 x M16	4" (DN 100)	7.5 (191)	8 x 0.75 (19.1)
SL1.30.A40.40.(A).(EX).4.--C	28.6 (726)	19.9 (505)	7.9 (200)	12.6 (319)	15.6 (397)	4.6 (115)	4" (DN 100)	7.5 (191)	8 x M16	4" (DN 100)	7.5 (191)	8 x 0.75 (19.1)
SL1.30.A40.55.(A).(EX).4.--C	29.4 (748)	19.9 (505)	7.9 (200)	12.6 (319)	15.6 (397)	4.6 (115)	4" (DN 100)	7.5 (191)	8 x M16	4" (DN 100)	7.5 (191)	8 x 0.75 (19.1)
SL1.30.A40.75.(A).(EX).4.--C	29.7 (755)	19.9 (505)	7.9 (200)	12.6 (319)	15.6 (397)	4.6 (115)	4" (DN 100)	7.5 (191)	8 x M16	4" (DN 100)	7.5 (191)	8 x 0.75 (19.1)
SL1.30.A40.100.(A).(EX).4.--C	32.2 (818)	20.9 (530)	8.5 (217)	12.9 (328)	16.7 (423)	4.6 (116)	4" (DN 100)	7.5 (191)	8 x M16	4" (DN 100)	7.5 (191)	8 x 0.75 (19.1)

Pump type	A in (mm)	C in (mm)	D in (mm)	E in (mm)	F in (mm)	H in (mm)	DN1 ANSI (DIN)	Dc10 in (mm)	D1n DØ1	DN2 ANSI (DIN)	Dc02 in (mm)	D2n DØ2 in (mm)
SL1.40.A40.55.(A).(EX).4.--C	29.7 (755)	21.3 (541)	7.9 (200)	12.6 (320)	17.2 (438)	4.5 (115)	6" (DN 150)	9.5 (242)	8 x M20	4" (DN 100)	7.5 (191)	8 x 0.75 (19.1)
SL1.40.A40.75.(A).(EX).4.--C	30 (762)	21.3 (541)	7.9 (200)	12.6 (320)	17.2 (438)	4.5 (115)	6" (DN 150)	9.5 (242)	8 x M20	4" (DN 100)	7.5 (191)	8 x 0.75 (19.1)
SL1.40.A40.100.(A).(EX).4.--C	32.6 (827)	21.3 (541)	8.5 (217)	12.3 (312)	18.2 (462)	4.5 (115)	6" (DN 150)	9.5 (242)	8 x M20	4" (DN 100)	7.5 (191)	8 x 0.75 (19.1)
SL1.40.A60.55.(A).(EX).4.--C	29.7 (755)	21.3 (541)	7.9 (200)	12.6 (320)	17.3 (440)	4.4 (111)	6" (DN 150)	9.5 (242)	8 x M20	6" (DN 150)	9.5 (242)	8 x 0.88 (22.1)
SL1.40.A60.75.(A).(EX).4.--C	30 (762)	21.3 (541)	7.9 (200)	12.6 (320)	17.3 (440)	4.4 (111)	6" (DN 150)	9.5 (242)	8 x M20	6" (DN 150)	9.5 (242)	8 x 0.88 (22.1)
SL1.40.A60.100.(A).(EX).4.--C	32.6 (827)	21.3 (541)	8.5 (217)	12 (306)	18.6 (472)	4.4 (111)	6" (DN 150)	9.5 (242)	8 x M20	6" (DN 150)	9.5 (242)	8 x 0.88 (22.1)

SLV pumps

Pump type	A in (mm)	C in (mm)	D in (mm)	E in (mm)	F in (mm)	H in (mm)	DN1 ANSI (DIN)	Dc10 in (mm)	D1n DØ1	DN2 ANSI (DIN)	Dc02 in (mm)	D2n DØ2 in (mm)
SLV.25.A25.30.(A).(EX).2.--C	26.9 (684)	15.6 (396)	6.7 (171)	9.7 (246)	12.6 (321)	4 (102)	3" (DN 80)	6 (153)	8 x M16	2.5" (DN 65)	5.5 (140)	4 x 0.75 (19.1)
SLV.25.A25.40.(A).(EX).2.--C	26.9 (684)	15.6 (396)	6.7 (171)	9.7 (246)	12.6 (321)	4 (102)	3" (DN 80)	6 (153)	8 x M16	2.5" (DN 65)	5.5 (140)	4 x 0.75 (19.1)
SLV.25.A25.55.(A).(EX).2.--C	28.3 (718)	18 (456)	7.9 (200)	10.9 (276)	15 (380)	4.2 (106)	3" (DN 80)	6 (153)	8 x M16	2.5" (DN 65)	5.5 (140)	4 x 0.75 (19.1)
SLV.25.A30.30.(A).(EX).2.--C	27 (685)	15.6 (397)	6.7 (171)	9.7 (247)	12.6 (321)	4.1 (103)	3" (DN 80)	6 (153)	8 x M16	3" (DN 80)	6 (153)	8 x 0.75 (19.1)
SLV.25.A30.40.(A).(EX).2.--C	27 (685)	15.6 (397)	6.7 (171)	9.7 (247)	12.6 (321)	4.1 (103)	3" (DN 80)	6 (153)	8 x M16	3" (DN 80)	6 (153)	8 x 0.75 (19.1)
SLV.25.A30.55.(A).(EX).2.--C	28.3 (718)	17.9 (455)	7.9 (200)	10.9 (276)	14.9 (379)	4.2 (106)	3" (DN 80)	6 (153)	8 x M16	3" (DN 80)	6 (153)	8 x 0.75 (19.1)
SLV.30.A30.15.(A).(EX).4.--C	28 (711)	16.1 (409)	6.7 (171)	9.5 (241)	13.4 (339)	4.3 (109)	3" (DN 80)	6 (153)	8 x M16	3" (DN 80)	6 (153)	8 x 0.75 (19.1)
SLV.30.A30.18.(A).(EX).4.--C	28 (711)	16.1 (409)	6.7 (171)	9.5 (241)	13.4 (339)	4.3 (109)	3" (DN 80)	6 (153)	8 x M16	3" (DN 80)	6 (153)	8 x 0.75 (19.1)
SLV.30.A30.20.(A).(EX).4.--C	28 (711)	16.1 (409)	6.7 (171)	9.5 (241)	13.4 (339)	4.3 (109)	3" (DN 80)	6 (153)	8 x M16	3" (DN 80)	6 (153)	8 x 0.75 (19.1)
SLV.30.A30.30.(A).(EX).4.--C	28 (711)	16.1 (409)	6.7 (171)	9.5 (241)	13.4 (339)	4.3 (109)	3" (DN 80)	6 (153)	8 x M16	3" (DN 80)	6 (153)	8 x 0.75 (19.1)
SLV.30.A30.55.(A).(EX).2.--C	29.3 (744)	18 (456)	7.9 (200)	10.9 (276)	15 (380)	4.1 (104)	3" (DN 80)	6 (153)	8 x M16	3" (DN 80)	6 (153)	8 x 0.75 (19.1)
SLV.30.A30.55.(A).(EX).4.--C	29.5 (748)	18.1 (460)	7.9 (200)	10.5 (267)	15.5 (393)	4.3 (109)	3" (DN 80)	6 (153)	8 x M16	3" (DN 80)	6 (153)	8 x 0.75 (19.1)
SLV.30.A30.80.(A).(EX).2.--C	29.6 (751)	18 (456)	7.9 (200)	10.9 (276)	15 (380)	4.1 (104)	3" (DN 80)	6 (153)	8 x M16	3" (DN 80)	6 (153)	8 x 0.75 (19.1)
SLV.30.A30.100.(A).(EX).2.--C	29.6 (751)	18 (456)	7.9 (200)	10.9 (276)	15 (380)	4.1 (104)	3" (DN 80)	6 (153)	8 x M16	3" (DN 80)	6 (153)	8 x 0.75 (19.1)
SLV.30.A30.125.(A).(EX).2.--C	30.8 (782)	19.3 (489)	8.5 (217)	11.5 (293)	16.3 (413)	4.8 (123)	3" (DN 80)	6 (153)	8 x M16	3" (DN 80)	6 (153)	8 x 0.75 (19.1)
SLV.30.A30.150.(A).(EX).2.--C	30.8 (782)	19.3 (489)	8.5 (217)	11.5 (293)	16.3 (413)	4.8 (123)	3" (DN 80)	6 (153)	8 x M16	3" (DN 80)	6 (153)	8 x 0.75 (19.1)
SLV.30.A40.15.(A).(EX).4.--C	28 (711)	16 (407)	6.7 (171)	9.5 (241)	13.3 (337)	4.3 (109)	3" (DN 80)	6 (153)	8 x M16	4" (DN 100)	7.5 (191)	8 x 0.75 (19.1)
SLV.30.A40.18.(A).(EX).4.--C	28 (711)	16 (407)	6.7 (171)	9.5 (241)	13.3 (337)	4.3 (109)	3" (DN 80)	6 (153)	8 x M16	4" (DN 100)	7.5 (191)	8 x 0.75 (19.1)
SLV.30.A40.20.(A).(EX).4.--C	28 (711)	16 (407)	6.7 (171)	9.5 (241)	13.3 (337)	4.3 (109)	3" (DN 80)	6 (153)	8 x M16	4" (DN 100)	7.5 (191)	8 x 0.75 (19.1)
SLV.30.A40.30.(A).(EX).4.--C	28 (711)	16 (407)	6.7 (171)	9.5 (241)	13.3 (337)	4.3 (109)	3" (DN 80)	6 (153)	8 x M16	4" (DN 100)	7.5 (191)	8 x 0.75 (19.1)
SLV.30.A40.55.(A).(EX).2.--C	29.3 (744)	18.4 (466)	7.9 (200)	11.3 (286)	15 (380)	4.1 (104)	3" (DN 80)	6 (153)	8 x M16	4" (DN 100)	7.5 (191)	8 x 0.75 (19.1)
SLV.30.A40.55.(A).(EX).4.--C	29.5 (748)	18 (458)	7.9 (200)	10.5 (267)	15.4 (391)	4.3 (109)	3" (DN 80)	6 (153)	8 x M16	4" (DN 100)	7.5 (191)	8 x 0.75 (19.1)
SLV.30.A40.80.(A).(EX).2.--C	29.6 (751)	18.4 (466)	7.9 (200)	11.3 (286)	15 (380)	4.1 (104)	3" (DN 80)	6 (153)	8 x M16	4" (DN 100)	7.5 (191)	8 x 0.75 (19.1)
SLV.30.A40.100.(A).(EX).2.--C	29.6 (751)	18.4 (466)	7.9 (200)	11.3 (286)	15 (380)	4.1 (104)	3" (DN 80)	6 (153)	8 x M16	4" (DN 100)	7.5 (191)	8 x 0.75 (19.1)
SLV.30.A40.125.(A).(EX).2.--C	30.8 (782)	19.7 (499)	8.5 (217)	11.9 (303)	16.3 (413)	4.8 (123)	3" (DN 80)	6 (153)	8 x M16	4" (DN 100)	7.5 (191)	8 x 0.75 (19.1)
SLV.30.A40.150.(A).(EX).2.--C	30.8 (782)	19.7 (499)	8.5 (217)	11.9 (303)	16.3 (413)	4.8 (123)	3" (DN 80)	6 (153)	8 x M16	4" (DN 100)	7.5 (191)	8 x 0.75 (19.1)
SLV.40.A40.40.(A).(EX).4.--C	29 (737)	18 (457)	7.9 (200)	10.9 (277)	15 (380)	5.3 (134)	4" (DN 100)	7.5 (191)	8 x M16	4" (DN 100)	7.5 (191)	8 x 0.75 (19.1)
SLV.40.A40.55.(A).(EX).4.--C	29.9 (759)	18 (457)	7.9 (200)	10.9 (277)	15 (380)	5.3 (134)	4" (DN 100)	7.5 (191)	8 x M16	4" (DN 100)	7.5 (191)	8 x 0.75 (19.1)
SLV.40.A40.75.(A).(EX).4.--C	30.2 (766)	18 (457)	7.9 (200)	10.9 (277)	15 (380)	5.3 (134)	4" (DN 100)	7.5 (191)	8 x M16	4" (DN 100)	7.5 (191)	8 x 0.75 (19.1)
SLV.40.A40.100.(A).(EX).4.--C	33.2 (842)	19.3 (490)	8.5 (217)	11.6 (294)	16.3 (413)	5.7 (145)	4" (DN 100)	7.5 (191)	8 x M16	4" (DN 100)	7.5 (191)	8 x 0.75 (19.1)

Free standing installation (with ring stand)



TM04 2795 3008

SL1 pumps

Pump type	V1 in (mm)	V2 in (mm)	V3 in (mm)	V4 in (mm)	V5 in (mm)	V6 in (mm)	V7 in (mm)	VØ in (mm)
SL1.20.A25.30.(A).(EX).2.--C	31 (771)	14.1 (358)	5.1 (130)	12.8 (325)	10.6 (270)	18.8 (479)	2.6 (65)	0.7 (19)
SL1.20.A25.40.(A).(EX).2.--C	31 (771)	14.1 (358)	5.1 (130)	12.8 (325)	10.6 (270)	18.8 (479)	2.6 (65)	0.7 (19)
SL1.20.A25.55.(A).(EX).2.--C	31.8 (807)	14.1 (358)	5.1 (130)	12.8 (325)	10.6 (270)	20.5 (520)	2.6 (65)	0.7 (19)
SL1.20.A30.30.(A).(EX).2.--C	31 (771)	14.7 (373)	5.1 (130)	12.8 (325)	10.6 (270)	19 (482)	3.2 (80)	0.7 (19)
SL1.20.A30.40.(A).(EX).2.--C	31 (771)	14.7 (373)	5.1 (130)	12.8 (325)	10.6 (270)	19 (482)	3.2 (80)	0.7 (19)
SL1.20.A30.55.(A).(EX).2.--C	31.8 (807)	14.7 (373)	5.1 (130)	12.8 (325)	10.6 (270)	20.6 (523)	3.2 (80)	0.7 (19)
SL1.30.A30.20.(A).(EX).4.--C	32 (812)	15.5 (393)	5.1 (130)	14 (355)	11.8 (300)	21.7 (551)	3.2 (80)	0.7 (19)
SL1.30.A30.30.(A).(EX).4.--C	32 (812)	15.5 (393)	5.1 (130)	14 (355)	11.8 (300)	21.7 (551)	3.2 (80)	0.7 (19)
SL1.30.A30.40.(A).(EX).4.--C	33.1 (841)	16.6 (422)	5.1 (130)	14 (355)	11.8 (300)	24.4 (621)	3.2 (80)	0.7 (19)
SL1.30.A30.55.(A).(EX).4.--C	34.6 (878)	16.6 (422)	5.1 (130)	14 (355)	11.8 (300)	24.4 (621)	3.2 (80)	0.7 (19)
SL1.30.A30.75.(A).(EX).4.--C	34.9 (885)	16.6 (422)	5.1 (130)	14 (355)	11.8 (300)	24.4 (621)	3.2 (80)	0.7 (19)
SL1.30.A30.100.(A).(EX).4.--C	37.4 (948)	16.6 (422)	5.1 (130)	14 (355)	11.8 (300)	25.4 (646)	3.2 (80)	0.7 (19)
SL1.30.A40.20.(A).(EX).4.--C	32 (812)	14.4 (364)	5.1 (130)	14 (355)	11.8 (300)	23.5 (598)	3.9 (100)	0.7 (19)
SL1.30.A40.30.(A).(EX).4.--C	32 (812)	14.4 (364)	5.1 (130)	14 (355)	11.8 (300)	23.5 (598)	3.9 (100)	0.7 (19)
SL1.30.A40.40.(A).(EX).4.--C	33.7 (856)	15.3 (389)	5.1 (130)	14 (355)	11.8 (300)	26.3 (668)	3.9 (100)	0.7 (19)
SL1.30.A40.55.(A).(EX).4.--C	34.6 (878)	15.3 (389)	5.1 (130)	14 (355)	11.8 (300)	26.3 (668)	3.9 (100)	0.7 (19)
SL1.30.A40.75.(A).(EX).4.--C	34.9 (885)	15.3 (389)	5.1 (130)	14 (355)	11.8 (300)	26.3 (668)	3.9 (100)	0.7 (19)
SL1.30.A40.100.(A).(EX).4.--C	37.4 (948)	15.4 (390)	5.1 (130)	14 (355)	11.8 (300)	27.3 (693)	3.9 (100)	0.7 (19)
SL1.40.A40.55.(A).(EX).4.--C	37.1 (941)	17.5 (445)	7.3 (186)	17.7 (450)	15.7 (400)	27.7 (704)	3.9 (100)	0.9 (22)
SL1.40.A40.75.(A).(EX).4.--C	37.4 (948)	17.5 (445)	7.3 (186)	17.7 (450)	15.7 (400)	27.7 (704)	3.9 (100)	0.9 (22)
SL1.40.A40.100.(A).(EX).4.--C	39.9 (1013)	17.5 (445)	7.3 (186)	17.7 (450)	15.7 (400)	27.7 (704)	3.9 (100)	0.9 (22)
SL1.40.A60.55.(A).(EX).4.--C	37.1 (941)	22.5 (570)	7.3 (186)	17.7 (450)	15.7 (400)	31.6 (803)	5.9 (150)	0.9 (22)
SL1.40.A60.75.(A).(EX).4.--C	37.4 (948)	22.5 (570)	7.3 (186)	17.7 (450)	15.7 (400)	31.6 (803)	5.9 (150)	0.9 (22)
SL1.40.A60.100.(A).(EX).4.--C	39.9 (1.013)	22.5 (570)	7.3 (186)	17.7 (450)	15.7 (400)	31.6 (803)	5.9 (150)	0.9 (22)

SLV pumps

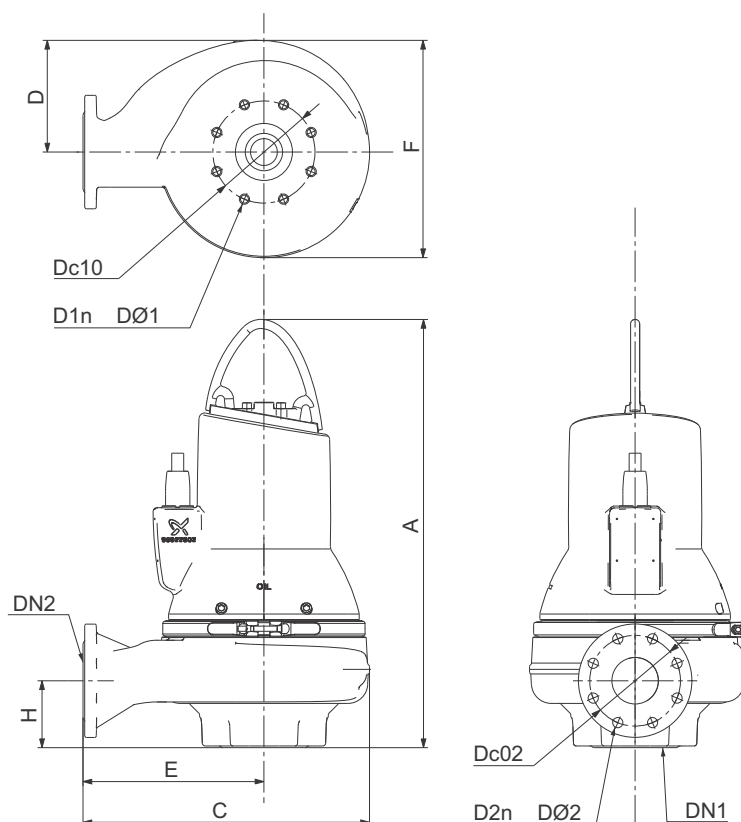
Pump type	V1 in (mm)	V2 in (mm)	V3 in (mm)	V4 in (mm)	V5 in (mm)	V6 in (mm)	V7 in (mm)	VØ in (mm)
SLV.25.A25.30.(A).(EX).2.--.C	32 (812)	15.4 (389)	5 (128)	13 (330)	11 (280)	20 (509)	2.6 (65)	0.7 (18)
SLV.25.A25.40.(A).(EX).2.--.C	32 (812)	15.4 (389)	5 (128)	13 (330)	11 (280)	20 (509)	2.6 (65)	0.7 (18)
SLV.25.A25.55.(A).(EX).2.--.C	33.4 (846)	15.5 (393)	5 (128)	13 (330)	11 (280)	22.4 (569)	2.6 (65)	0.7 (18)
SLV.25.A30.30.(A).(EX).2.--.C	32.1 (813)	16 (405)	5 (128)	13 (330)	11 (280)	20.2 (513)	3.2 (80)	0.7 (18)
SLV.25.A30.40.(A).(EX).2.--.C	32.1 (813)	16 (405)	5 (128)	13 (330)	11 (280)	20.2 (513)	3.2 (80)	0.7 (18)
SLV.25.A30.55.(A).(EX).2.--.C	33.4 (846)	16.1 (408)	5 (128)	13 (330)	11 (280)	22.5 (571)	3.2 (80)	0.7 (18)
SLV.30.A30.15.(A).(EX).4.--.C	33.1 (839)	16.2 (411)	5 (128)	13 (330)	11 (280)	20.7 (525)	3.2 (80)	0.7 (18)
SLV.30.A30.18.(A).(EX).4.--.C	33.1 (839)	16.2 (411)	5 (128)	13 (330)	11 (280)	20.7 (525)	3.2 (80)	0.7 (18)
SLV.30.A30.20.(A).(EX).4.--.C	33.1 (839)	16.2 (411)	5 (128)	13 (330)	11 (280)	20.7 (525)	3.2 (80)	0.7 (18)
SLV.30.A30.30.(A).(EX).4.--.C	33.1 (839)	16.2 (411)	5 (128)	13 (330)	11 (280)	20.7 (525)	3.2 (80)	0.7 (18)
SLV.30.A30.55.(A).(EX).2.--.C	34.4 (872)	16 (406)	5 (128)	13 (330)	11 (280)	22.5 (572)	3.2 (80)	0.7 (18)
SLV.30.A30.55.(A).(EX).4.--.C	34.5 (876)	16.2 (411)	5 (128)	13 (330)	11 (280)	22.7 (576)	3.2 (80)	0.7 (18)
SLV.30.A30.80.(A).(EX).2.--.C	34.7 (879)	16 (406)	5 (128)	13 (330)	11 (280)	22.5 (572)	3.2 (80)	0.7 (18)
SLV.30.A30.100.(A).(EX).2.--.C	34.7 (879)	16 (406)	5 (128)	13 (330)	11 (280)	22.5 (572)	3.2 (80)	0.7 (18)
SLV.30.A30.125.(A).(EX).2.--.C	35.9 (910)	16.8 (425)	5 (128)	13 (330)	11 (280)	23.8 (605)	3.2 (80)	0.7 (18)
SLV.30.A30.150.(A).(EX).2.--.C	35.9 (910)	16.8 (425)	5 (128)	13 (330)	11 (280)	23.8 (605)	3.2 (80)	0.7 (18)
SLV.30.A40.15.(A).(EX).4.--.C	33.1 (839)	15 (381)	5 (128)	13 (330)	11 (280)	22.4 (570)	3.9 (100)	0.7 (18)
SLV.30.A40.18.(A).(EX).4.--.C	33.1 (839)	15 (381)	5 (128)	13 (330)	11 (280)	22.4 (570)	3.9 (100)	0.7 (18)
SLV.30.A40.20.(A).(EX).4.--.C	33.1 (839)	15 (381)	5 (128)	13 (330)	11 (280)	22.4 (570)	3.9 (100)	0.7 (18)
SLV.30.A40.30.(A).(EX).4.--.C	33.1 (839)	15 (381)	5 (128)	13 (330)	11 (280)	22.4 (570)	3.9 (100)	0.7 (18)
SLV.30.A40.55.(A).(EX).2.--.C	34.4 (872)	14.8 (376)	5 (128)	13 (330)	11 (280)	24.8 (629)	3.9 (100)	0.7 (18)
SLV.30.A40.55.(A).(EX).4.--.C	34.5 (876)	14.5 (381)	5 (128)	13 (330)	11 (280)	24.4 (621)	3.9 (100)	0.7 (18)
SLV.30.A40.80.(A).(EX).2.--.C	34.7 (879)	14.8 (376)	5 (128)	13 (330)	11 (280)	24.8 (629)	3.9 (100)	0.7 (18)
SLV.30.A40.100.(A).(EX).2.--.C	34.7 (879)	14.8 (376)	5 (128)	13 (330)	11 (280)	24.8 (629)	3.9 (100)	0.7 (18)
SLV.30.A40.125.(A).(EX).2.--.C	35.9 (910)	15.6 (395)	5 (128)	13 (330)	11 (280)	26.1 (662)	3.9 (100)	0.7 (18)
SLV.30.A40.150.(A).(EX).2.--.C	35.9 (910)	15.6 (395)	5 (128)	13 (330)	11 (280)	26.1 (662)	3.9 (100)	0.7 (18)
SLV.40.A40.40.(A).(EX).4.--.C	34.2 (867)	16.1 (408)	5.1 (130)	14 (355)	11.8 (300)	24.4 (620)	3.9 (100)	0.7 (19)
SLV.40.A40.55.(A).(EX).4.--.C	35 (889)	16.1 (408)	5.1 (130)	14 (355)	11.8 (300)	24.4 (620)	3.9 (100)	0.7 (19)
SLV.40.A40.75.(A).(EX).4.--.C	35.3 (896)	16.1 (408)	5.1 (130)	14 (355)	11.8 (300)	24.4 (620)	3.9 (100)	0.7 (19)
SLV.40.A40.100.(A).(EX).4.--.C	38.3 (972)	16.5 (419)	5.1 (130)	14 (355)	11.8 (300)	25.7 (653)	3.9 (100)	0.7 (19)

Pump type	Z2 [in (mm)]	Z3 [in (mm)]	Z4 [in (mm)]	Z6 [in (mm)]	Z7 [in (mm)]	Z8 [in (mm)]	Z9 [in (mm)]	Z10 [in (mm)]	Z11 [in (mm)]	Z12a [in (mm)]	Z14 [in (mm)]	Z15 [in (mm)]	Z16 [in (mm)]	Z23 [in (mm)]	ZDN1 ANSI (DIN)	S30PR [in (mm)]	ZM
SL1.30.A40.100.(A).(EX).4.--C	10.2 (260)	4.3 (110)	8.7 (220)	38.3 (973)	29.5 (747)	21.5 (545)	4.3 (110)	2 (50)	37.1 (942)	4.9 (124)	0 (0)	8.7 (220)	16.3 (413)	25.9 (658)	4" (DN 100)	22.2 (565)	4 x M16
SL1.40.A40.55.(A).(EX).4.--C	10.2 (260)	4.3 (110)	8.7 (220)	38.7 (984)	29.9 (758)	21.1 (537)	4.3 (110)	2 (50)	34.7 (880)	4.9 (125)	0 (0)	8.7 (220)	16.3 (413)	24.8 (630)	4" (DN 100)	22.5 (572)	4 x M16
SL1.40.A40.75.(A).(EX).4.--C	10.2 (260)	4.3 (110)	8.7 (220)	38.7 (984)	29.9 (758)	21.1 (537)	4.3 (110)	2 (50)	35 (887)	4.9 (125)	0 (0)	8.7 (220)	16.3 (413)	23.7 (602)	4" (DN 100)	22.1 (562)	4 x M16
SL1.40.A40.100.(A).(EX).4.--C	10.2 (260)	4.3 (110)	8.7 (220)	38.7 (984)	29.9 (758)	20.8 (529)	4.3 (110)	2 (50)	37.5 (952)	4.9 (125)	0 (0)	8.7 (220)	16.3 (413)	26.3 (667)	4" (DN 100)	22.7 (576)	4 x M16
SL1.40.A60.55.(A).(EX).4.--C	11.8 (300)	4.3 (110)	11 (280)	43 (1093)	31 (780)	22 (559)	4.3 (110)	2 (50)	36.18 (919)	6.5 (164)	0 (0)	11 (280)	17.7 (450)	24.8 (630)	6" (DN 150)	24.1 (611)	4 x M16
SL1.40.A60.75.(A).(EX).4.--C	11.8 (300)	4.3 (110)	11 (280)	43 (1093)	30.8 (780)	22 (559)	4.3 (110)	2 (50)	36.5 (926)	6.5 (164)	0 (0)	11 (280)	17.7 (450)	23.7 (602)	6" (DN 150)	23.7 (601)	4 x M16
SL1.40.A60.100.(A).(EX).4.--C	11.8 (300)	4.3 (110)	11 (280)	43 (1093)	30.8 (780)	21.5 (545)	4.3 (110)	2 (50)	39.1 (991)	6.5 (164)	0 (0)	11 (280)	17.7 (450)	26.3 (667)	6" (DN 150)	24.2 (615)	4 x M16

SLV pumps

Pump type	Z2 [in (mm)]	Z3 [in (mm)]	Z4 [in (mm)]	Z6 [in (mm)]	Z7 [in (mm)]	Z8 [in (mm)]	Z9 [in (mm)]	Z10 [in (mm)]	Z11 [in (mm)]	Z12a [in (mm)]	Z14 [in (mm)]	Z15 [in (mm)]	Z16 [in (mm)]	Z23 [in (mm)]	ZDN1 ANSI (DIN)	S30PR [in (mm)]	ZM
SLV.25.A25.30.(A).(EX).2.--C	8.3 (210)	3.7 (95)	5.5 (140)	28.7 (730)	21.5 (544)	15.5 (394)	3.2 (81)	1.5 (40)	29.5 (748)	2.5 (64)	0.1 (1)	6.9 (175)	10.5 (266)	22 (559)	2.5" (DN 65)	18.9 (479)	4 x M16
SLV.25.A25.40.(A).(EX).2.--C	8.3 (210)	3.7 (95)	5.5 (140)	28.7 (730)	21.5 (544)	15.5 (394)	3.2 (81)	1.5 (40)	29.5 (748)	2.5 (64)	0.1 (1)	6.9 (175)	10.5 (266)	22 (559)	2.5" (DN 65)	19.1 (485)	4 x M16
SLV.25.A25.55.(A).(EX).2.--C	8.3 (210)	3.7 (95)	5.5 (140)	31.1 (790)	23.8 (604)	16.7 (424)	3.2 (81)	1.5 (40)	30.7 (778)	2.4 (60)	0.1 (1)	6.9 (175)	10.5 (266)	23.3 (593)	2.5" (DN 65)	18.7 (476)	4 x M16
SLV.25.A30.30.(A).(EX).2.--C	8.7 (220)	3.7 (95)	6.3 (160)	29.5 (750)	22 (557)	16 (407)	3.2 (81)	1.5 (40)	30.8 (782)	3.8 (97)	0.51 (13)	6.7 (171)	13.6 (345)	22 (560)	3" (DN 80)	20.2 (513)	4 x M16
SLV.25.A30.40.(A).(EX).2.--C	8.7 (220)	3.7 (95)	6.3 (160)	29.5 (750)	22 (557)	16 (407)	3.2 (81)	1.5 (40)	30.8 (782)	3.8 (97)	0.6 (13)	6.7 (171)	13.6 (345)	22 (560)	3" (DN 80)	20.4 (518)	4 x M16
SLV.25.A30.55.(A).(EX).2.--C	8.7 (220)	3.7 (95)	6.3 (160)	31.8 (808)	24.3 (615)	17.2 (436)	3.2 (81)	1.5 (40)	32 (812)	3.7 (94)	0.6 (13)	6.7 (171)	13.6 (345)	23.3 (593)	3" (DN 80)	20.1 (510)	4 x M16
SLV.30.A30.15.(A).(EX).4.--C	8.7 (220)	3.7 (95)	6.3 (160)	30 (762)	22.4 (569)	15.8 (401)	3.2 (81)	1.5 (40)	31.6 (802)	3.6 (91)	0.6 (13)	6.7 (171)	13.6 (345)	23.1 (586)	3" (DN 80)	20.7 (526)	4 x M16
SLV.30.A30.18.(A).(EX).4.--C	8.7 (220)	3.7 (95)	6.3 (160)	30 (762)	22.4 (569)	15.8 (401)	3.2 (81)	1.5 (40)	31.6 (802)	3.6 (91)	0.6 (13)	6.7 (171)	13.6 (345)	23.1 (586)	3" (DN 80)	20.7 (526)	4 x M16
SLV.30.A30.20.(A).(EX).4.--C	8.7 (220)	3.7 (95)	6.3 (160)	30 (762)	22.4 (569)	15.8 (401)	3.2 (81)	1.5 (40)	31.6 (802)	3.6 (91)	0.6 (13)	6.7 (171)	13.6 (345)	23.1 (586)	3" (DN 80)	20.7 (526)	4 x M16
SLV.30.A30.30.(A).(EX).4.--C	8.7 (220)	3.7 (95)	6.3 (160)	30 (762)	22.4 (569)	15.8 (401)	3.2 (81)	1.5 (40)	31.6 (802)	3.6 (91)	0.6 (13)	6.7 (171)	13.6 (345)	23.1 (586)	3" (DN 80)	20.9 (531)	4 x M16
SLV.30.A30.55.(A).(EX).2.--C	8.7 (220)	3.7 (95)	6.3 (160)	31.9 (809)	24.3 (616)	17.2 (436)	3.2 (81)	1.5 (40)	33.1 (840)	3.8 (96)	0.6 (13)	6.7 (171)	13.6 (345)	24.4 (619)	3" (DN 80)	21.1 (537)	4 x M16
SLV.30.A30.55.(A).(EX).4.--C	8.7 (220)	3.7 (95)	6.3 (160)	32 (813)	24.5 (620)	16.8 (427)	3.2 (81)	1.5 (40)	33.1 (839)	3.6 (91)	0.6 (13)	6.7 (171)	13.6 (345)	24.5 (623)	3" (DN 80)	21.1 (537)	4 x M16
SLV.30.A30.80.(A).(EX).2.--C	8.7 (220)	3.7 (95)	6.3 (160)	31.9 (809)	24.3 (616)	17.2 (436)	3.2 (81)	1.5 (40)	33.4 (847)	3.8 (96)	0.6 (13)	6.7 (171)	13.6 (345)	23.3 (591)	3" (DN 80)	20.7 (527)	4 x M16
SLV.30.A30.100.(A).(EX).2.--C	8.7 (220)	3.7 (95)	6.3 (160)	31.9 (809)	24.3 (616)	17.2 (436)	3.2 (81)	1.5 (40)	33.4 (847)	3.8 (96)	0.6 (13)	6.7 (171)	13.6 (345)	23.3 (591)	3" (DN 80)	20.7 (527)	4 x M16
SLV.30.A30.125.(A).(EX).2.--C	8.7 (220)	3.7 (95)	6.3 (160)	33.2 (842)	25.6 (649)	17.8 (453)	3.2 (81)	1.5 (40)	33.9 (859)	3 (77)	0.6 (13)	6.7 (171)	13.6 (345)	24.5 (622)	3" (DN 80)	21.1 (535)	4 x M16
SLV.30.A30.150.(A).(EX).2.--C	8.7 (220)	3.7 (95)	6.3 (160)	33.2 (842)	25.6 (649)	17.8 (453)	3.2 (81)	1.5 (40)	33.9 (859)	3 (77)	0.6 (13)	6.7 (171)	13.6 (345)	24.5 (622)	3" (DN 80)	21.1 (535)	4 x M16
SLV.30.A40.15.(A).(EX).4.--C	10.3 (260)	4.3 (110)	8.7 (220)	33.5 (850)	24.6 (624)	18 (458)	4.3 (110)	2 (50)	33.2 (842)	5.2 (131)	0 (0)	8.7 (220)	16.3 (413)	23.1 (586)	4" (DN 100)	22.4 (569)	4 x M16
SLV.30.A40.18.(A).(EX).4.--C	10.3 (260)	4.3 (110)	8.7 (220)	33.5 (850)	24.6 (624)	18 (458)	4.3 (110)	2 (50)	33.2 (842)	5.2 (131)	0 (0)	8.7 (220)	16.3 (413)	23.1 (586)	4" (DN 100)	22.4 (569)	4 x M16
SLV.30.A40.20.(A).(EX).4.--C	10.3 (260)	4.3 (110)	8.7 (220)	33.5 (850)	24.6 (624)	18 (458)	4.3 (110)	2 (50)	33.2 (842)	5.2 (131)	0 (0)	8.7 (220)	16.3 (413)	23.1 (586)	4" (DN 100)	22.4 (569)	4 x M16
SLV.30.A40.30.(A).(EX).4.--C	10.3 (260)	4.3 (110)	8.7 (220)	33.5 (850)	24.6 (624)	18 (458)	4.3 (110)	2 (50)	33.2 (842)	5.2 (131)	0 (0)	8.7 (220)	16.3 (413)	23.1 (586)	4" (DN 100)	22.6 (574)	4 x M16
SLV.30.A40.55.(A).(EX).2.--C	10.3 (260)	4.3 (110)	8.7 (220)	35.8 (909)	26.9 (683)	19.8 (503)	4.3 (110)	2 (50)	34.7 (880)	5.4 (136)	0 (0)	8.7 (220)	16.3 (413)	24.4 (619)	4" (DN 100)	22.4 (570)	4 x M16
SLV.30.A40.55.(A).(EX).4.--C	10.3 (260)	4.3 (110)	8.7 (220)	35.5 (901)	26.6 (675)	19.1 (484)	4.3 (110)	2 (50)	34.7 (879)	5.2 (131)	0 (0)	8.7 (220)	16.3 (413)	24.5 (623)	4" (DN 100)	22.4 (570)	4 x M16
SLV.30.A40.80.(A).(EX).2.--C	10.3 (260)	4.3 (110)	8.7 (220)	35.8 (909)	26.9 (683)	19.8 (503)	4.3 (110)	2 (50)	35 (887)	5.4 (136)	0 (0)	8.7 (220)	16.3 (413)	23.3 (591)	4" (DN 100)	22.0 (560)	4 x M16
SLV.30.A40.100.(A).(EX).2.--C	10.3 (260)	4.3 (110)	8.7 (220)	35.8 (909)	26.9 (683)	19.8 (503)	4.3 (110)	2 (50)	35 (887)	5.4 (136)	0 (0)	8.7 (220)	16.3 (413)	23.3 (591)	4" (DN 100)	22.0 (560)	4 x M16
SLV.30.A40.125.(A).(EX).2.--C	10.3 (260)	4.3 (110)	8.7 (220)	37.1 (942)	28.2 (716)	20.5 (520)	4.3 (110)	2 (50)	35.4 (899)	4.6 (117)	0 (0)	8.7 (220)	16.3 (413)	24.5 (622)	4" (DN 100)	22.5 (571)	4 x M16
SLV.30.A40.150.(A).(EX).2.--C	10.3 (260)	4.3 (110)	8.7 (220)	37.1 (942)	28.2 (716)	20.5 (520)	4.3 (110)	2 (50)	35.4 (899)	4.6 (117)	0 (0)	8.7 (220)	16.3 (413)	24.5 (622)	4" (DN 100)	22.5 (571)	4 x M16
SLV.40.A40.40.(A).(EX).4.--C	10.3 (260)	4.3 (110)	8.7 (220)	35.4 (900)	26.6 (674)	19.4 (494)	4.3 (110)	2 (50)	33.2 (843)	4.2 (106)	0 (0)	8.7 (220)	16.3 (413)	24.1 (612)	4" (DN 100)	21.7 (552)	4 x M16
SLV.40.A40.55.(A).(EX).4.--C	10.3 (260)	4.3 (110)	8.7 (220)	35.4 (900)	26.6 (674)	19.4 (494)	4.3 (110)	2 (50)	34.1 (865)	4.2 (106)	0 (0)	8.7 (220)	16.3 (413)	25 (634)	4" (DN 100)	21.9 (557)	4 x M16
SLV.40.A40.75.(A).(EX).4.--C	10.3 (260)	4.3 (110)	8.7 (220)	35.4 (900)	26.6 (674)	19.4 (494)	4.3 (110)	2 (50)	34.33 (872)	4.2 (106)	0 (0)	8.7 (220)	16.3 (413)	23.9 (606)	4" (DN 100)	21.5 (547)	4 x M16
SLV.40.A40.100.(A).(EX).4.--C	10.3 (260)	4.3 (110)	8.7 (220)	36.7 (933)	27.9 (707)	20.1 (511)	4.3 (110)	2 (50)	37 (937)	3.7 (95)	0 (0)	8.7 (220)	16.3 (413)	26.9 (682)	4" (DN 100)	21.9 (555)	4 x M16

Free standing installation (without ring stand)



TM04 2793 5116

SL1 pumps

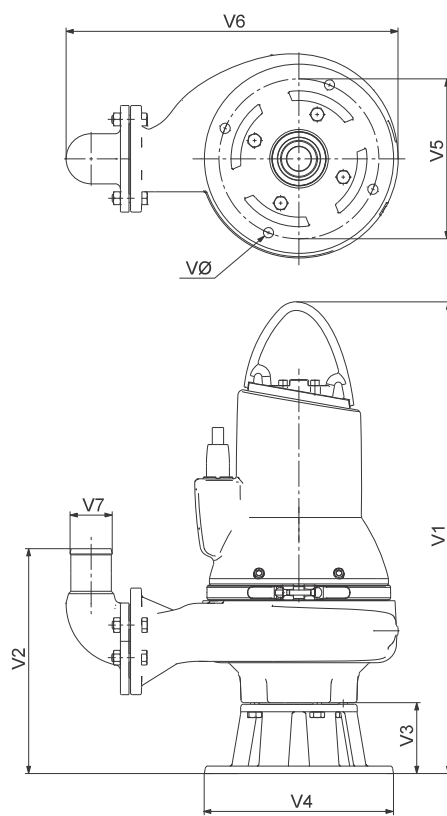
Pump type	A [in (mm)]	C [in (mm)]	D [in (mm)]	E [in (mm)]	F [in (mm)]	H [in (mm)]	DN1 ANSI (DIN)	Dc10 [in (mm)]	D1n DØ1	DN2 ANSI (DIN)	Dc02 [in (mm)]	D2n DØ2 [in (mm)]
SL1.20.A25.30.(A).(EX).2.--C	25.2 (641)	14.4 (366)	6.7 (171)	8.5 (216)	12.6 (321)	3.7 (69)	2.5" (DN 65)	5.5 (140)	4 x M16	2.5" (DN 65)	5.5 (140)	4 x 0.75 (19.1)
SL1.20.A25.40.(A).(EX).2.--C	25.2 (641)	14.4 (366)	6.7 (171)	8.5 (216)	12.6 (321)	3.7 (69)	2.5" (DN 65)	5.5 (140)	4 x M16	2.5" (DN 65)	5.5 (140)	4 x 0.75 (19.1)
SL1.20.A25.55.(A).(EX).2.--C	26.7 (677)	16 (407)	7.9 (200)	8.9 (227)	14.9 (379)	3.7 (69)	2.5" (DN 65)	5.5 (140)	4 x M16	2.5" (DN 65)	5.5 (140)	4 x 0.75 (19.1)
SL1.20.A30.30.(A).(EX).2.--C	25.2 (641)	14.4 (366)	6.7 (171)	8.5 (216)	12.6 (321)	3.9 (69)	2.5" (DN 65)	5.5 (140)	4 x M16	3" (DN 80)	6 (153)	8 x 0.75 (19.1)
SL1.20.A30.40.(A).(EX).2.--C	25.2 (641)	14.4 (366)	6.7 (171)	8.5 (216)	12.6 (321)	3.9 (69)	2.5" (DN 65)	5.5 (140)	4 x M16	3" (DN 80)	6 (153)	8 x 0.75 (19.1)
SL1.20.A30.55.(A).(EX).2.--C	26.7 (677)	16 (407)	7.9 (200)	8.9 (227)	14.9 (379)	3.9 (69)	2.5" (DN 65)	5.5 (140)	4 x M16	3" (DN 80)	6 (153)	8 x 0.75 (19.1)
SL1.30.A30.20.(A).(EX).4.--C	26.9 (682)	17.1 (435)	6.7 (171)	10.7 (272)	13.7 (347)	3.9 (89)	4" (DN 100)	7.5 (191)	8 x M16	3" (DN 80)	6 (153)	8 x 0.75 (19.1)
SL1.30.A30.30.(A).(EX).4.--C	26.9 (682)	17.1 (435)	6.7 (171)	10.7 (272)	13.7 (347)	3.9 (89)	4" (DN 100)	7.5 (191)	8 x M16	3" (DN 80)	6 (153)	8 x 0.75 (19.1)
SL1.30.A30.40.(A).(EX).4.--C	28 (711)	19.9 (505)	7.9 (200)	12.6 (319)	15.6 (397)	4.6 (118)	4" (DN 100)	7.5 (191)	8 x M16	3" (DN 80)	6 (153)	8 x 0.75 (19.1)
SL1.30.A30.55.(A).(EX).4.--C	29.4 (748)	19.9 (505)	7.9 (200)	12.6 (319)	15.6 (397)	4.6 (118)	4" (DN 100)	7.5 (191)	8 x M16	3" (DN 80)	6 (153)	8 x 0.75 (19.1)
SL1.30.A30.75.(A).(EX).4.--C	29.7 (755)	19.9 (505)	7.9 (200)	12.6 (319)	15.6 (397)	4.6 (118)	4" (DN 100)	7.5 (191)	8 x M16	3" (DN 80)	6 (153)	8 x 0.75 (19.1)
SL1.30.A30.100.(A).(EX).4.--C	32.2 (818)	20.9 (530)	8.5 (217)	12.9 (328)	16.7 (423)	4.6 (118)	4" (DN 100)	7.5 (191)	8 x M16	3" (DN 80)	6 (153)	8 x 0.75 (19.1)
SL1.30.A40.20.(A).(EX).4.--C	26.9 (682)	17.1 (435)	6.7 (171)	10.7 (272)	13.7 (347)	4.4 (90)	4" (DN 100)	7.5 (191)	8 x M16	4" (DN 100)	7.5 (191)	8 x 0.75 (19.1)
SL1.30.A40.30.(A).(EX).4.--C	26.9 (682)	17.1 (435)	6.7 (171)	10.7 (272)	13.7 (347)	4.4 (90)	4" (DN 100)	7.5 (191)	8 x M16	4" (DN 100)	7.5 (191)	8 x 0.75 (19.1)
SL1.30.A40.40.(A).(EX).4.--C	28.6 (726)	19.9 (505)	7.9 (200)	12.6 (319)	15.6 (397)	4.6 (115)	4" (DN 100)	7.5 (191)	8 x M16	4" (DN 100)	7.5 (191)	8 x 0.75 (19.1)
SL1.30.A40.55.(A).(EX).4.--C	29.4 (748)	19.9 (505)	7.9 (200)	12.6 (319)	15.6 (397)	4.6 (115)	4" (DN 100)	7.5 (191)	8 x M16	4" (DN 100)	7.5 (191)	8 x 0.75 (19.1)
SL1.30.A40.75.(A).(EX).4.--C	29.7 (755)	19.9 (505)	7.9 (200)	12.6 (319)	15.6 (397)	4.6 (115)	4" (DN 100)	7.5 (191)	8 x M16	4" (DN 100)	7.5 (191)	8 x 0.75 (19.1)

Pump type	A [in (mm)]	C [in (mm)]	D [in (mm)]	E [in (mm)]	F [in (mm)]	H [in (mm)]	DN1 ANSI (DIN)	Dc10 [in (mm)]	D1n DØ1	DN2 ANSI (DIN)	Dc02 [in (mm)]	D2n DØ2 [in (mm)]
SL1.30.A40.100.(A).(EX).4.--C	32.2 (818)	20.9 (530)	8.5 (217)	12.9 (328)	16.7 (423)	4.6 (116)	4" (DN 100)	7.5 (191)	8 x M16	4" (DN 100)	7.5 (191)	8 x 0.75 (19.1)
SL1.40.A40.55.(A).(EX).4.--C	29.7 (755)	21.3 (541)	7.9 (200)	12.6 (320)	17.2 (438)	4.5 (115)	6" (DN 150)	9.5 (242)	8 x M20	4" (DN 100)	7.5 (191)	8 x 0.75 (19.1)
SL1.40.A40.75.(A).(EX).4.--C	30 (762)	21.3 (541)	7.9 (200)	12.6 (320)	17.2 (438)	4.5 (115)	6" (DN 150)	9.5 (242)	8 x M20	4" (DN 100)	7.5 (191)	8 x 0.75 (19.1)
SL1.40.A40.100.(A).(EX).4.--C	32.6 (827)	21.3 (541)	8.5 (217)	12.3 (312)	18.2 (462)	4.5 (115)	6" (DN 150)	9.5 (242)	8 x M20	4" (DN 100)	7.5 (191)	8 x 0.75 (19.1)
SL1.40.A60.55.(A).(EX).4.--C	29.7 (755)	21.3 (541)	7.9 (200)	12.6 (320)	17.3 (440)	4.4 (111)	6" (DN 150)	9.5 (242)	8 x M20	6" (DN 150)	9.5 (242)	8 x 0.88 (22.1)
SL1.40.A60.75.(A).(EX).4.--C	30 (762)	21.3 (541)	7.9 (200)	12.6 (320)	17.3 (440)	4.4 (111)	6" (DN 150)	9.5 (242)	8 x M20	6" (DN 150)	9.5 (242)	8 x 0.88 (22.1)
SL1.40.A60.100.(A).(EX).4.--C	32.6 (827)	21.3 (541)	8.5 (217)	12 (306)	18.6 (472)	4.4 (111)	6" (DN 150)	9.5 (242)	8 x M20	6" (DN 150)	9.5 (242)	8 x 0.88 (22.1)

SLV pumps

Pump type	A [in (mm)]	C [in (mm)]	D [in (mm)]	E [in (mm)]	F [in (mm)]	H [in (mm)]	DN1 ANSI (DIN)	Dc10 [in (mm)]	D1n DØ1	DN2 ANSI (DIN)	Dc02 [in (mm)]	D2n DØ2 [in (mm)]
SLV.25.A25.30.(A).(EX).2.--C	26.9 (684)	15.6 (396)	6.7 (171)	9.7 (246)	12.6 (321)	4 (102)	3" (DN 80)	6 (153)	8 x M16	2.5" (DN 65)	5.5 (140)	4 x 0.75 (19.1)
SLV.25.A25.40.(A).(EX).2.--C	26.9 (684)	15.6 (396)	6.7 (171)	9.7 (246)	12.6 (321)	4 (102)	3" (DN 80)	6 (153)	8 x M16	2.5" (DN 65)	5.5 (140)	4 x 0.75 (19.1)
SLV.25.A25.55.(A).(EX).2.--C	28.3 (718)	18 (456)	7.9 (200)	10.9 (276)	15 (380)	4.2 (106)	3" (DN 80)	6 (153)	8 x M16	2.5" (DN 65)	5.5 (140)	4 x 0.75 (19.1)
SLV.25.A30.30.(A).(EX).2.--C	27 (685)	15.6 (397)	6.7 (171)	9.7 (247)	12.6 (321)	4.1 (103)	3" (DN 80)	6 (153)	8 x M16	3" (DN 80)	6 (153)	8 x 0.75 (19.1)
SLV.25.A30.40.(A).(EX).2.--C	27 (685)	15.6 (397)	6.7 (171)	9.7 (247)	12.6 (321)	4.1 (103)	3" (DN 80)	6 (153)	8 x M16	3" (DN 80)	6 (153)	8 x 0.75 (19.1)
SLV.25.A30.55.(A).(EX).2.--C	28.3 (718)	17.9 (455)	7.9 (200)	10.9 (276)	14.9 (379)	4.2 (106)	3" (DN 80)	6 (153)	8 x M16	3" (DN 80)	6 (153)	8 x 0.75 (19.1)
SLV.30.A30.15.(A).(EX).4.--C	28 (711)	16.1 (409)	6.7 (171)	9.5 (241)	13.4 (339)	4.3 (109)	3" (DN 80)	6 (153)	8 x M16	3" (DN 80)	6 (153)	8 x 0.75 (19.1)
SLV.30.A30.18.(A).(EX).4.--C	28 (711)	16.1 (409)	6.7 (171)	9.5 (241)	13.4 (339)	4.3 (109)	3" (DN 80)	6 (153)	8 x M16	3" (DN 80)	6 (153)	8 x 0.75 (19.1)
SLV.30.A30.20.(A).(EX).4.--C	28 (711)	16.1 (409)	6.7 (171)	9.5 (241)	13.4 (339)	4.3 (109)	3" (DN 80)	6 (153)	8 x M16	3" (DN 80)	6 (153)	8 x 0.75 (19.1)
SLV.30.A30.30.(A).(EX).4.--C	28 (711)	16.1 (409)	6.7 (171)	9.5 (241)	13.4 (339)	4.3 (109)	3" (DN 80)	6 (153)	8 x M16	3" (DN 80)	6 (153)	8 x 0.75 (19.1)
SLV.30.A30.55.(A).(EX).2.--C	29.3 (744)	18 (456)	7.9 (200)	10.9 (276)	15 (380)	4.1 (104)	3" (DN 80)	6 (153)	8 x M16	3" (DN 80)	6 (153)	8 x 0.75 (19.1)
SLV.30.A30.55.(A).(EX).4.--C	29.5 (748)	18.1 (460)	7.9 (200)	10.5 (267)	15.5 (393)	4.3 (109)	3" (DN 80)	6 (153)	8 x M16	3" (DN 80)	6 (153)	8 x 0.75 (19.1)
SLV.30.A30.80.(A).(EX).2.--C	29.6 (751)	18 (456)	7.9 (200)	10.9 (276)	15 (380)	4.1 (104)	3" (DN 80)	6 (153)	8 x M16	3" (DN 80)	6 (153)	8 x 0.75 (19.1)
SLV.30.A30.100.(A).(EX).2.--C	29.6 (751)	18 (456)	7.9 (200)	10.9 (276)	15 (380)	4.1 (104)	3" (DN 80)	6 (153)	8 x M16	3" (DN 80)	6 (153)	8 x 0.75 (19.1)
SLV.30.A30.125.(A).(EX).2.--C	30.8 (782)	19.3 (489)	8.5 (217)	11.5 (293)	16.3 (413)	4.8 (123)	3" (DN 80)	6 (153)	8 x M16	3" (DN 80)	6 (153)	8 x 0.75 (19.1)
SLV.30.A30.150.(A).(EX).2.--C	30.8 (782)	19.3 (489)	8.5 (217)	11.5 (293)	16.3 (413)	4.8 (123)	3" (DN 80)	6 (153)	8 x M16	3" (DN 80)	6 (153)	8 x 0.75 (19.1)
SLV.30.A40.15.(A).(EX).4.--C	28 (711)	16 (407)	6.7 (171)	9.5 (241)	13.3 (337)	4.3 (109)	3" (DN 80)	6 (153)	8 x M16	4" (DN 100)	7.5 (191)	8 x 0.75 (19.1)
SLV.30.A40.18.(A).(EX).4.--C	28 (711)	16 (407)	6.7 (171)	9.5 (241)	13.3 (337)	4.3 (109)	3" (DN 80)	6 (153)	8 x M16	4" (DN 100)	7.5 (191)	8 x 0.75 (19.1)
SLV.30.A40.20.(A).(EX).4.--C	28 (711)	16 (407)	6.7 (171)	9.5 (241)	13.3 (337)	4.3 (109)	3" (DN 80)	6 (153)	8 x M16	4" (DN 100)	7.5 (191)	8 x 0.75 (19.1)
SLV.30.A40.30.(A).(EX).4.--C	28 (711)	16 (407)	6.7 (171)	9.5 (241)	13.3 (337)	4.3 (109)	3" (DN 80)	6 (153)	8 x M16	4" (DN 100)	7.5 (191)	8 x 0.75 (19.1)
SLV.30.A40.55.(A).(EX).2.--C	29.3 (744)	18.4 (466)	7.9 (200)	11.3 (286)	15 (380)	4.1 (104)	3" (DN 80)	6 (153)	8 x M16	4" (DN 100)	7.5 (191)	8 x 0.75 (19.1)
SLV.30.A40.55.(A).(EX).4.--C	29.5 (748)	18 (458)	7.9 (200)	10.5 (267)	15.4 (391)	4.3 (109)	3" (DN 80)	6 (153)	8 x M16	4" (DN 100)	7.5 (191)	8 x 0.75 (19.1)
SLV.30.A40.80.(A).(EX).2.--C	29.6 (751)	18.4 (466)	7.9 (200)	11.3 (286)	15 (380)	4.1 (104)	3" (DN 80)	6 (153)	8 x M16	4" (DN 100)	7.5 (191)	8 x 0.75 (19.1)
SLV.30.A40.100.(A).(EX).2.--C	29.6 (751)	18.4 (466)	7.9 (200)	11.3 (286)	15 (380)	4.1 (104)	3" (DN 80)	6 (153)	8 x M16	4" (DN 100)	7.5 (191)	8 x 0.75 (19.1)
SLV.30.A40.125.(A).(EX).2.--C	30.8 (782)	19.7 (499)	8.5 (217)	11.9 (303)	16.3 (413)	4.8 (123)	3" (DN 80)	6 (153)	8 x M16	4" (DN 100)	7.5 (191)	8 x 0.75 (19.1)
SLV.30.A40.150.(A).(EX).2.--C	30.8 (782)	19.7 (499)	8.5 (217)	11.9 (303)	16.3 (413)	4.8 (123)	3" (DN 80)	6 (153)	8 x M16	4" (DN 100)	7.5 (191)	8 x 0.75 (19.1)
SLV.40.A40.40.(A).(EX).4.--C	29 (737)	18 (457)	7.9 (200)	10.9 (277)	15 (380)	5.3 (134)	4" (DN 100)	7.5 (191)	8 x M16	4" (DN 100)	7.5 (191)	8 x 0.75 (19.1)
SLV.40.A40.55.(A).(EX).4.--C	29.9 (759)	18 (457)	7.9 (200)	10.9 (277)	15 (380)	5.3 (134)	4" (DN 100)	7.5 (191)	8 x M16	4" (DN 100)	7.5 (191)	8 x 0.75 (19.1)
SLV.40.A40.75.(A).(EX).4.--C	30.2 (766)	18 (457)	7.9 (200)	10.9 (277)	15 (380)	5.3 (134)	4" (DN 100)	7.5 (191)	8 x M16	4" (DN 100)	7.5 (191)	8 x 0.75 (19.1)
SLV.40.A40.100.(A).(EX).4.--C	33.2 (842)	19.3 (490)	8.5 (217)	11.6 (294)	16.3 (413)	5.7 (145)	4" (DN 100)	7.5 (191)	8 x M16	4" (DN 100)	7.5 (191)	8 x 0.75 (19.1)

Free standing installation (with ring stand)



TM04 2795 3008

SL1 pumps




Pump type	V1 [in (mm)]	V2 [in (mm)]	V3 [in (mm)]	V4 [in (mm)]	V5 [in (mm)]	V6 [in (mm)]	V7 [in (mm)]	VØ [in (mm)]
SL1.20.A25.30.(A).(EX).2.--C	31 (771)	14.1 (358)	5.1 (130)	12.8 (325)	10.6 (270)	18.8 (479)	2.6 (65)	0.7 (19)
SL1.20.A25.40.(A).(EX).2.--C	31 (771)	14.1 (358)	5.1 (130)	12.8 (325)	10.6 (270)	18.8 (479)	2.6 (65)	0.7 (19)
SL1.20.A25.55.(A).(EX).2.--C	31.8 (807)	14.1 (358)	5.1 (130)	12.8 (325)	10.6 (270)	20.5 (520)	2.6 (65)	0.7 (19)
SL1.20.A30.30.(A).(EX).2.--C	31 (771)	14.7 (373)	5.1 (130)	12.8 (325)	10.6 (270)	19 (482)	3.2 (80)	0.7 (19)
SL1.20.A30.40.(A).(EX).2.--C	31 (771)	14.7 (373)	5.1 (130)	12.8 (325)	10.6 (270)	19 (482)	3.2 (80)	0.7 (19)
SL1.20.A30.55.(A).(EX).2.--C	31.8 (807)	14.7 (373)	5.1 (130)	12.8 (325)	10.6 (270)	20.6 (523)	3.2 (80)	0.7 (19)
SL1.30.A30.20.(A).(EX).4.--C	32 (812)	15.5 (393)	5.1 (130)	14 (355)	11.8 (300)	21.7 (551)	3.2 (80)	0.7 (19)
SL1.30.A30.30.(A).(EX).4.--C	32 (812)	15.5 (393)	5.1 (130)	14 (355)	11.8 (300)	21.7 (551)	3.2 (80)	0.7 (19)
SL1.30.A30.40.(A).(EX).4.--C	33.1 (841)	16.6 (422)	5.1 (130)	14 (355)	11.8 (300)	24.4 (621)	3.2 (80)	0.7 (19)
SL1.30.A30.55.(A).(EX).4.--C	34.6 (878)	16.6 (422)	5.1 (130)	14 (355)	11.8 (300)	24.4 (621)	3.2 (80)	0.7 (19)
SL1.30.A30.75.(A).(EX).4.--C	34.9 (885)	16.6 (422)	5.1 (130)	14 (355)	11.8 (300)	24.4 (621)	3.2 (80)	0.7 (19)
SL1.30.A30.100.(A).(EX).4.--C	37.4 (948)	16.6 (422)	5.1 (130)	14 (355)	11.8 (300)	25.4 (646)	3.2 (80)	0.7 (19)
SL1.30.A40.20.(A).(EX).4.--C	32 (812)	14.4 (364)	5.1 (130)	14 (355)	11.8 (300)	23.5 (598)	3.9 (100)	0.7 (19)
SL1.30.A40.30.(A).(EX).4.--C	32 (812)	14.4 (364)	5.1 (130)	14 (355)	11.8 (300)	23.5 (598)	3.9 (100)	0.7 (19)
SL1.30.A40.40.(A).(EX).4.--C	33.7 (856)	15.3 (389)	5.1 (130)	14 (355)	11.8 (300)	26.3 (668)	3.9 (100)	0.7 (19)
SL1.30.A40.55.(A).(EX).4.--C	34.6 (878)	15.3 (389)	5.1 (130)	14 (355)	11.8 (300)	26.3 (668)	3.9 (100)	0.7 (19)
SL1.30.A40.75.(A).(EX).4.--C	34.9 (885)	15.3 (389)	5.1 (130)	14 (355)	11.8 (300)	26.3 (668)	3.9 (100)	0.7 (19)
SL1.30.A40.100.(A).(EX).4.--C	37.4 (948)	15.4 (390)	5.1 (130)	14 (355)	11.8 (300)	27.3 (693)	3.9 (100)	0.7 (19)
SL1.40.A40.55.(A).(EX).4.--C	37.1 (941)	17.5 (445)	7.3 (186)	17.7 (450)	15.7 (400)	27.7 (704)	3.9 (100)	0.9 (22)
SL1.40.A40.75.(A).(EX).4.--C	37.4 (948)	17.5 (445)	7.3 (186)	17.7 (450)	15.7 (400)	27.7 (704)	3.9 (100)	0.9 (22)
SL1.40.A40.100.(A).(EX).4.--C	39.9 (1013)	17.5 (445)	7.3 (186)	17.7 (450)	15.7 (400)	27.7 (704)	3.9 (100)	0.9 (22)
SL1.40.A60.55.(A).(EX).4.--C	37.1 (941)	22.5 (570)	7.3 (186)	17.7 (450)	15.7 (400)	31.6 (803)	5.9 (150)	0.9 (22)
SL1.40.A60.75.(A).(EX).4.--C	37.4 (948)	22.5 (570)	7.3 (186)	17.7 (450)	15.7 (400)	31.6 (803)	5.9 (150)	0.9 (22)
SL1.40.A60.100.(A).(EX).4.--C	39.9 (1.013)	22.5 (570)	7.3 (186)	17.7 (450)	15.7 (400)	31.6 (803)	5.9 (150)	0.9 (22)

SLV pumps

Pump type	V1 [in (mm)]	V2 [in (mm)]	V3 [in (mm)]	V4 [in (mm)]	V5 [in (mm)]	V6 [in (mm)]	V7 [in (mm)]	V \varnothing [in (mm)]
SLV.25.A25.30.(A).(EX).2.--.C	32 (812)	15.4 (389)	5 (128)	13 (330)	11 (280)	20 (509)	2.6 (65)	0.7 (18)
SLV.25.A25.40.(A).(EX).2.--.C	32 (812)	15.4 (389)	5 (128)	13 (330)	11 (280)	20 (509)	2.6 (65)	0.7 (18)
SLV.25.A25.55.(A).(EX).2.--.C	33.4 (846)	15.5 (393)	5 (128)	13 (330)	11 (280)	22.4 (569)	2.6 (65)	0.7 (18)
SLV.25.A30.30.(A).(EX).2.--.C	32.1 (813)	16 (405)	5 (128)	13 (330)	11 (280)	20.2 (513)	3.2 (80)	0.7 (18)
SLV.25.A30.40.(A).(EX).2.--.C	32.1 (813)	16 (405)	5 (128)	13 (330)	11 (280)	20.2 (513)	3.2 (80)	0.7 (18)
SLV.25.A30.55.(A).(EX).2.--.C	33.4 (846)	16.1 (408)	5 (128)	13 (330)	11 (280)	22.5 (571)	3.2 (80)	0.7 (18)
SLV.30.A30.15.(A).(EX).4.--.C	33.1 (839)	16.2 (411)	5 (128)	13 (330)	11 (280)	20.7 (525)	3.2 (80)	0.7 (18)
SLV.30.A30.18.(A).(EX).4.--.C	33.1 (839)	16.2 (411)	5 (128)	13 (330)	11 (280)	20.7 (525)	3.2 (80)	0.7 (18)
SLV.30.A30.20.(A).(EX).4.--.C	33.1 (839)	16.2 (411)	5 (128)	13 (330)	11 (280)	20.7 (525)	3.2 (80)	0.7 (18)
SLV.30.A30.30.(A).(EX).4.--.C	33.1 (839)	16.2 (411)	5 (128)	13 (330)	11 (280)	20.7 (525)	3.2 (80)	0.7 (18)
SLV.30.A30.55.(A).(EX).2.--.C	34.4 (872)	16 (406)	5 (128)	13 (330)	11 (280)	22.5 (572)	3.2 (80)	0.7 (18)
SLV.30.A30.55.(A).(EX).4.--.C	34.5 (876)	16.2 (411)	5 (128)	13 (330)	11 (280)	22.7 (576)	3.2 (80)	0.7 (18)
SLV.30.A30.80.(A).(EX).2.--.C	34.7 (879)	16 (406)	5 (128)	13 (330)	11 (280)	22.5 (572)	3.2 (80)	0.7 (18)
SLV.30.A30.100.(A).(EX).2.--.C	34.7 (879)	16 (406)	5 (128)	13 (330)	11 (280)	22.5 (572)	3.2 (80)	0.7 (18)
SLV.30.A30.125.(A).(EX).2.--.C	35.9 (910)	16.8 (425)	5 (128)	13 (330)	11 (280)	23.8 (605)	3.2 (80)	0.7 (18)
SLV.30.A30.150.(A).(EX).2.--.C	35.9 (910)	16.8 (425)	5 (128)	13 (330)	11 (280)	23.8 (605)	3.2 (80)	0.7 (18)
SLV.30.A40.15.(A).(EX).4.--.C	33.1 (839)	15 (381)	5 (128)	13 (330)	11 (280)	22.4 (570)	3.9 (100)	0.7 (18)
SLV.30.A40.18.(A).(EX).4.--.C	33.1 (839)	15 (381)	5 (128)	13 (330)	11 (280)	22.4 (570)	3.9 (100)	0.7 (18)
SLV.30.A40.20.(A).(EX).4.--.C	33.1 (839)	15 (381)	5 (128)	13 (330)	11 (280)	22.4 (570)	3.9 (100)	0.7 (18)
SLV.30.A40.30.(A).(EX).4.--.C	33.1 (839)	15 (381)	5 (128)	13 (330)	11 (280)	22.4 (570)	3.9 (100)	0.7 (18)
SLV.30.A40.55.(A).(EX).2.--.C	34.4 (872)	14.8 (376)	5 (128)	13 (330)	11 (280)	24.8 (629)	3.9 (100)	0.7 (18)
SLV.30.A40.55.(A).(EX).4.--.C	34.5 (876)	14.5 (381)	5 (128)	13 (330)	11 (280)	24.4 (621)	3.9 (100)	0.7 (18)
SLV.30.A40.80.(A).(EX).2.--.C	34.7 (879)	14.8 (376)	5 (128)	13 (330)	11 (280)	24.8 (629)	3.9 (100)	0.7 (18)
SLV.30.A40.100.(A).(EX).2.--.C	34.7 (879)	14.8 (376)	5 (128)	13 (330)	11 (280)	24.8 (629)	3.9 (100)	0.7 (18)
SLV.30.A40.125.(A).(EX).2.--.C	35.9 (910)	15.6 (395)	5 (128)	13 (330)	11 (280)	26.1 (662)	3.9 (100)	0.7 (18)
SLV.30.A40.150.(A).(EX).2.--.C	35.9 (910)	15.6 (395)	5 (128)	13 (330)	11 (280)	26.1 (662)	3.9 (100)	0.7 (18)
SLV.40.A40.40.(A).(EX).4.--.C	34.2 (867)	16.1 (408)	5.1 (130)	14 (355)	11.8 (300)	24.4 (620)	3.9 (100)	0.7 (19)
SLV.40.A40.55.(A).(EX).4.--.C	35 (889)	16.1 (408)	5.1 (130)	14 (355)	11.8 (300)	24.4 (620)	3.9 (100)	0.7 (19)
SLV.40.A40.75.(A).(EX).4.--.C	35.3 (896)	16.1 (408)	5.1 (130)	14 (355)	11.8 (300)	24.4 (620)	3.9 (100)	0.7 (19)
SLV.40.A40.100.(A).(EX).4.--.C	38.3 (972)	16.5 (419)	5.1 (130)	14 (355)	11.8 (300)	25.7 (653)	3.9 (100)	0.7 (19)


13. Accessories


Installation systems

Picture	Description	Dimensions	SL1.20.A25	SL1.20.A30	SL1.30.A30	SL1.30.A40	SL1.40.A40	SL1.40.A60	SLV.25.A25	SLV.25.A30	SLV.30.A30	SLV.30.A40	SLV.40.A40	Product number	
	Complete auto-coupling system, including guide claw, base plate and upper guide rail bracket. Cast iron, epoxy-coated. With bolts, nuts and gaskets. Note: If your guide rails exceed 13 feet (4 m), consider the use of intermediate guide rail brackets to support your system.	2.5"	•						•					97626234	
		3"		•	•						•	•			97626236
		3" / 2.5"*	•							•					97626237
		4"				•	•						•	•	97626238
		4" / 3"*		•	•						•	•			97626239
		6"							•						97626240
		6" / 4"*					•	•					•	•	97626241
	Intermediate guide rail brackets of stainless steel (AISI 304). The size of the intermediate guide rail bracket depends on the outlet pipe dimension.	2.5"	•						•					96825119	
		3"		•	•					•	•			96825142	
		4"				•	•					•	•		96825161
		6"							•						96887674
	Ring stand with flanged 90 ° elbow and hose connection. Cast iron, epoxy-coated. With bolts, nuts, gaskets and anchor bolts.	2.5"	•											97632115	
		2.5" / 3"*		•											97632165
		3" / 2.5"*								•					97632219
		3"									•	•			97632227
		3" / 4"										•			97632281
		4" / 3"				•									97632229
		4"					•							•	97632278
		6" / 4", galvanized steel							•						97632370
		6", galvanized steel								•					97632372
		2.5"	•												97632119
		2.5" / 3"		•											97632166
		3" / 2.5"									•				97632226
		3"										•	•		97632228
		3" / 4"											•		97632283
4" / 3"				•									97632241		
4"					•							•	97632280		
6" / 4", galvanized steel								•					97632371		
6", galvanized steel									•				97632373		

* Outlet pipe/guide claw, e.g. 3"/2.5" = 3" outlet pipe and 2.5" guide claw.

Other accessories

Picture	Description	Max. load [lb (kg)]	SL1.20.A25	SL1.20.A30	SL1.30.A30	SL1.30.A40	SL1.40.A40	SL1.40.A60	SLV.25.A25	SLV.25.A30	SLV.30.A30	SLV.30.A40	SLV.40.A40	Product number	
 <p>TM02 6126 5102</p>	13 ft (4 m) hot dip galvanized lifting chain with lifting link and safety hook. With certificates.	1763 (800)	•	•	•	•	•	•	•	•	•	•	•	98425760	
	20 ft (6 m) hot dip galvanized lifting chain with lifting link and safety hook. With certificates.		•	•	•	•	•	•	•	•	•	•	•	•	98425781
	26 ft (8 m) hot dip galvanized lifting chain with lifting link and safety hook. With certificates.		•	•	•	•	•	•	•	•	•	•	•	•	98425782
	33 ft (10 m) hot dip galvanized lifting chain with lifting link and safety hook. With certificates.		•	•	•	•	•	•	•	•	•	•	•	•	98425783
	40 ft (12 m) hot dip galvanized lifting chain with lifting link and safety hook. With certificates.		•	•	•	•	•	•	•	•	•	•	•	•	96735557
	13 ft (4 m) stainless steel lifting chain with lifting link and safety hook. With certificates.	1763 (800)	•	•	•	•	•	•	•	•	•	•	•	•	98425797
	20 ft (6 m) stainless steel lifting chain with lifting link and safety hook. With certificates.		•	•	•	•	•	•	•	•	•	•	•	•	98425798
	26 ft (8 m) stainless steel lifting chain with lifting link and safety hook. With certificates.		•	•	•	•	•	•	•	•	•	•	•	•	98425799
	33 ft (10 m) stainless steel lifting chain with lifting link and safety hook. With certificates.		•	•	•	•	•	•	•	•	•	•	•	•	98425800
	40 ft (12 m) stainless steel lifting chain with lifting link and safety hook. With certificates.		•	•	•	•	•	•	•	•	•	•	•	•	96735569

Picture	Description	Product number
 <p>TM05 6793 5112</p>	IO 113 is an input/output interface between controllers and wastewater pumps equipped with sensors or a sensor board. The most important information is shown on the front panel.	98097391

Level controllers

SLC, float-switch-controlled option

Description	Phase	Voltage [VAC]	Motor shaft power [hp]	Overload range [A]	Main disconnect switch required [A]	Product number
SLC.208/230.B.1-FC	1	208/230	2.0	10.0 - 40.0	15	99165671
SLC.208/230.A.3.A-FC	3	208/230	1.5 - 1.8	2.0 - 6.3	15	99107775
SLC.208/230.B.3.B-FC	3	208/230	2.0 - 3.0	5.7 - 18.9	15	99107776
SLC.208/230.B.3.C-FC	3	208/230	2.0 - 7.5	9.0 - 30	30	99107777
SLC.208/230.C.3.D-FC	3	208/230	8.0 - 10.0	15.0 - 45.0	40	99107778
SLC.208/230.D.3.D-FC	3	208/230	12.5 - 15.0	15.0 - 45.0	60	99107779
SLC.460.E.3.A-FC	3	460	1.5 - 4.0	2.0 - 6.3	15	99107780
SLC.460.F.3.B-FC	3	460	5.5 - 10.0	5.7 - 18.9	20	99107781
SLC.460.D.3.C-FC	3	460	12.5 - 15.0	9.0 - 30.0	25	99107782
SLC.575.G.3.E-FC	3	575	1.5	1.6 - 2.5	15	99153139
SLC.575.H.3.F-FC	3	575	1.8 - 3.0	2.5 - 4.0	15	99153140
SLC.575.I.3.G-FC	3	575	4.0 - 5.5	4.0 - 6.3	15	99153141
SLC.575.J.3.H-FC	3	575	7.5	6.0 - 10.0	20	99153142
SLC.575.C.3.I-FC	3	575	8.0 - 10.0	9.0 - 14.0	20	99153143
SLC.575.D.3.J-FC	3	575	12.5 - 15.0	13.0 - 18.0	25	99153144

SLC, transducer-controlled option

Description	Phase	Voltage [VAC]	Motor shaft power [hp]	Overload range [A]	Main disconnect switch required [A]	Product number
SLC.208/230.B.1-PT	1	208/230	2.0	10.0 - 40.0	15	99165673
SLC.208/230.A.3.A-PT	3	208/230	1.5 - 1.8	2.0 - 6.3	15	99107059
SLC.208/230.B.3.B-PT	3	208/230	2.0 - 3.0	5.7 - 18.9	15	99107060
SLC.208/230.B.3.C-PT	3	208/230	2.0 - 7.5	9.0 - 30.0	30	99107061
SLC.208/230.C.3.D-PT	3	208/230	8.0 - 10.0	15.0 - 45.0	40	99107062
SLC.208/230.D.3.D-PT	3	208/230	12.5 - 15.0	15.0 - 45.0	60	99107063
SLC.460.E.3.A-PT	3	460	1.5 - 4.0	2.0 - 6.3	15	99107064
SLC.460.F.3.B-PT	3	460	5.5 - 10.0	5.7 - 18.9	20	99107065
SLC.460.D.3.C-PT	3	460	12.5 - 15.0	9.0 - 30.0	25	99107066
SLC.575.G.3.E-PT	3	575	1.5	1.6 - 2.5	15	99153151
SLC.575.H.3.F-PT	3	575	1.8 - 3.0	2.5 - 4.0	15	99153152
SLC.575.I.3.G-PT	3	575	4.0 - 5.5	4.0 - 6.3	15	99153153
SLC.575.J.3.H-PT	3	575	7.5	6.0 - 10.0	20	99153154
SLC.575.C.3.I-PT	3	575	8.0 - 10.0	9.0 - 14.0	20	99153155
SLC.575.D.3.J-PT	3	575	12.5 - 15.0	13.0 - 18.0	25	99153156

DLC, float-switch-controlled option

Description	Phase	Voltage [VAC]	Motor shaft power [hp]	Overload range [A]	Main disconnect switch required [A]	Product number
DLC.208/230.B.1-FC	1	208/230	2.0	10.0 - 40.0	25	99165672
DLC.208/230.A.3.A-FC	3	208/230	1.5 - 1.8	2.0 - 6.3	20	99107783
DLC.208/230.B.3.B-FC	3	208/230	2.0 - 3.0	5.7 - 18.9	20	99107784
DLC.208/230.B.3.C-FC	3	208/230	2.0 - 7.5	9.0 - 30.0	50	99107785
DLC.208/230.C.3.D-FC	3	208/230	8.0 - 10.0	15.0 - 45.0	75	99107786
DLC.208/230.D.3.D-FC	3	208/230	12.5 - 15.0	15.0 - 45.0	120	99107787
DLC.460.E.3.A-FC	3	460	1.5 - 4.0	2.0 - 6.3	20	99107788
DLC.460.F.3.B-FC	3	460	5.5 - 10.0	5.7 - 18.9	40	99107789
DLC.460.D.3.C-FC	3	460	12.5 - 15.0	9.0 - 30.0	50	99107790
DLC.575.G.3.E-FC	3	575	1.5	1.6 - 2.5	15	99153145
DLC.575.H.3.F-FC	3	575	1.8 - 3.0	2.5 - 4.0	15	99153146
DLC.575.I.3.G-FC	3	575	4.0 - 5.5	4.0 - 6.3	20	99153147
DLC.575.J.3.H-FC	3	575	7.5	6.0 - 10.0	25	99153148
DLC.575.C.3.I-FC	3	575	8.0 - 10.0	9.0 - 14.0	30	99153149
DLC.575.D.3.J-FC	3	575	12.5 - 15.0	13.0 - 18.0	40	99153150

DLC, transducer-controlled option

Description	Phase	Voltage [VAC]	Motor shaft power [hp]	Overload range [A]	Main disconnect switch required [A]	Product number
DLC.208/230.B.1-PT	1	208/230	2.0	10.0 - 40.0	25	99165674
DLC.208/230.A.3.A-PT	3	208/230	1.5 - 1.8	2.0 - 6.3	20	99107067
DLC.208/230.B.3.B-PT	3	208/230	2.0 - 3.0	5.7 - 18.9	20	99107068
DLC.208/230.B.3.C-PT	3	208/230	2.0 - 7.5	9.0 - 30.0	50	99107069
DLC.208/230.C.3.D-PT	3	208/230	8.0 - 10.0	15.0 - 45.0	75	99107070
DLC.208/230.D.3.D-PT	3	208/230	12.5 - 15.0	15.0 - 45.0	120	99107071
DLC.460.E.3.A-PT	3	460	1.5 - 4.0	2.0 - 6.3	20	99107072
DLC.460.F.3.B-PT	3	460	5.5 - 10.0	5.7 - 18.9	40	99107073
DLC.460.D.3.C-PT	3	460	12.5 - 15.0	9.0 - 30.0	50	99107074
DLC.575.G.3.E-PT	3	575	1.5	1.6 - 2.5	15	99153157
DLC.575.H.3.F-PT	3	575	1.8 - 3.0	2.5 - 4.0	15	99153158
DLC.575.I.3.G-PT	3	575	4.0 - 5.5	4.0 - 6.3	20	99153159
DLC.575.J.3.H-PT	3	575	7.5	6.0 - 10.0	25	99153160
DLC.575.C.3.I-PT	3	575	8.0 - 10.0	9.0 - 14.0	30	99153161
DLC.575.D.3.J-PT	3	575	12.5 - 15.0	13.0 - 18.0	40	99153162


Additional options

SLC and DLC	Product number
Battery backup with charger (for alarm only)**	Consult factory
Intrinsically safe relay for float inputs with UL698A Listing (FC only)**	
Intrinsically safe barrier/relay for pressure transducer and backup floats, UL698A (PT only)**	
Padlockable main disconnect switch	
Phase monitor with fusing	
304 stainless steel panel	
Enclosure adder	


** Enclosure adder is required

Note: Seal-failure sensor(s), overtemperature sensor(s) are standard. Condition messages, such as run time, alarms and pump cycles are displayed on the HMI operating panel.

Submersible, analog level pressure transducer

Picture	Description	Product number
	<p>TM06 6891 2516</p> <p>Grundfos submersible, analog level pressure transducer kit (sensor and birdcage) with 65 ft PUR cable 0-9 psi (0 - 0.62 bar) / 0 - 20.1 ft (6.1 m) measuring range, stainless steel birdcage</p>	99045076

Level switches

Picture	Description	Product number	
	Grundfos level switch MS1 UL with 33 ft cable	98365984	
	Grundfos level switch MS1 UL with 40 ft cable	98365985	
	Grundfos level switch MS1 UL with 60 ft cable	98365986	
	Cable support of stainless steel	98365987	
	TM05 6793 5112	Grundfos level switch MS1 Ex IEC ex with 33 ft cable	98372085
	Grundfos level switch MS1 Ex IEC ex with 40 ft cable	98372086	
	Grundfos level switch MS1 Ex IEC ex with 60 ft cable	98372087	
	Cable support of stainless steel	98365987	

Features

SLC

SLC enables:

- control of one pump based on signals from level switches
- control of one pump based on signals from a submersible analog level pressure transducer with float-switch alarms
- battery backup in case of mains supply failure (accessory)
- selection of automatic restarting
- selection of automatic/manual/off setting
- alarm indication of:
 - high water level
 - overload (via motor protection relay).

As standard, SLC has an audio/visual high water level alarm with auto reset.

- audio alarm, 95 dB warble tone at 24"
- visual alarm 7/8" diameter red lens, push to silence
- NEMA 4X, 1 W bulb.



Fig. 25 SLC controller

DLC

DLC enables:

- control of two pumps based on signals from level switches
- control of two pumps based on signals from a submersible analog level pressure transducer with float-switch alarms
- automatic pump changeover (even distribution of operating hours on both pumps)
- battery backup in case of mains supply failure (accessory)
- selection of automatic restarting
- selection of automatic/manual/off setting
- alarm indication of:
 - high water level
 - overload (via motor protection relay).

As standard, DLC has an audio/visual high water level alarm with auto reset:

- audio alarm, 95 dB warble tone at 24"
- visual alarm 7/8" diameter red lens, push to silence
- NEMA 4X, 1 W bulb.



Fig. 26 DLC controller

Level switches

The Grundfos level switches are of the non-mercury type and are available for standard and explosion-proof pumps. The hermetically sealed polypropylene housing and polyurethane cable make the level switch resistant to, for example, many chemicals, alcohol, uric acid, sewage, oils, gasoline and fruit acid.

Location and position of level switches

The level switches are to be installed in the pit floating on the pumped liquid.

The position of the level switches decides when SLC or DLC will start and stop the pump:

- When the level switch is pointing upwards, the level switch contact will be closed and the pump will start.
- When the level switch is pointing downwards, the level switch contact will be opened and the pump will stop.

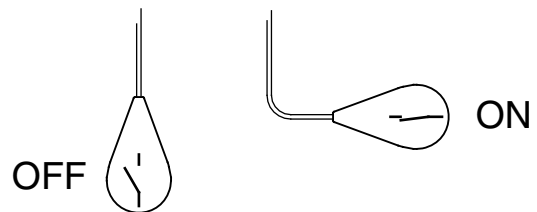


Fig. 27 Level switch positions

Submersible, analog level pressure transducer

The sensor enables constant water level detection. The sensor is installed in the wet well, inside a protective tube. The lower end of the tube must be approx. 20 cm above the bottom of the well. The sensor contains Kevlar rope within the PUR cable jacket to support the weight of the transducer/birdcage combination.

Birdcage

The birdcage sensor guard protects the sensor from floating debris. Its weight provides the sensor with stability, even in light turbulence.

TM05 6794 5112

TM05 6795 5112

TM00 6678 3497

Dedicated Controls



Fig. 28 Dedicated Controls control unit

Grundfos Dedicated Controls is a control system that can control and monitor one to six Grundfos wastewater pumps and a mixer or a flushing valve.

Dedicated Controls are used in installations requiring advanced control and data communication.

The main components of the Dedicated Controls system are:

- CU 362 control unit
- IO 351B module (general I/O module).

Dedicated Controls are available as separate components.

The control system can be operated by:

- float switches
- a level sensor
- a level sensor and safety float switches.

The separate control unit and modules can be built for practically any size of system.

CU 362 control panel

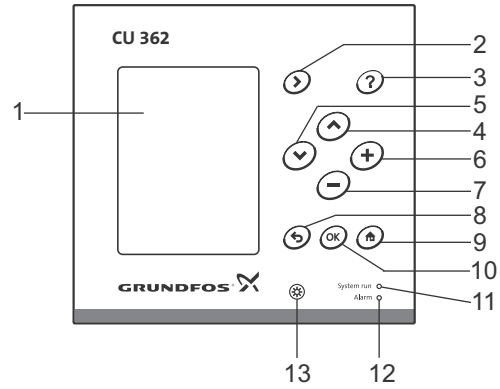


Fig. 29 CU 362 control panel

Pos.	Description
1	Display
2	Right
3	Help
4	Up
5	Down
6	Plus
7	Minus
8	Back
9	Home
10	OK (accept)
11	Indicator light, operation (green)
12	Indicator light, fault (red)
13	Contrast

Gr-1014749

TM05 3044 2012

Status menu

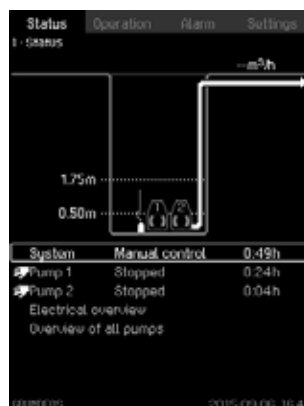


Fig. 30 Status menu

Description

- Graphical illustration of system (upper half of display).
- Clear text parameters.
- Indication of alarms that occur during operation (top and middle of display).
- Reading of system and individual pump performance (lower half of display).
- Button (?) for further information.
- Active buttons are illuminated.

Operation menu



Fig. 31 Operation menu

Description

- Setting of basic parameters, for instance start/stop levels.
- Setting of auto/on/off of system or individual pumps.
- Resetting of alarm relays.
- Button (?) for further information.
- Active buttons are illuminated.

Alarm menu



Fig. 32 Alarm menu

Description

- Current alarm and alarm log with detailed information:
 - What the cause of the fault is.
 - Where the fault occurred (system, pump no. 1 etc.).
 - When the fault occurred (time and date).
 - When the fault disappeared (time and date).
- Alarm snapshot - reading of system and pump parameters at the time of alarm.
- Alarm log with up to 24 historical warnings and alarms.
- Button (?) for further information.
- Active buttons are illuminated.

Settings menu



Fig. 33 Settings menu

Description

- Various settings:
 - Setting of analog/digital inputs and outputs.
 - Setting of application-optimized functions such as energy optimization, foam drainage and advanced alternation.
 - Display language.
 - Communication settings.
 - Ethernet etc.
- Button for further information.
- Active buttons are illuminated.

Dedicated Controls can be fitted with various units:

- The CU 362 control unit, which is the "brain" of the Dedicated Controls system, is fitted in the cabinet front. CU 362 can be fitted with one of the Grundfos CIM communication modules mentioned below, depending on the monitoring needs or the SCADA system:
 - CIM 200 is a Grundfos communication module used for the Modbus RTU fieldbus protocol.
 - CIM 250 is a communication module used for GSM/GPRS communication. CIM 250 establishes communication between CU 362 and a SCADA system, thereby allowing the application to be monitored and controlled remotely. This module also offers SMS messaging, for example status and alarm messages.
 - CIM 270 is a communication module for the Grundfos Remote Management system (GRM). CIM 270 establishes communication between CU 362 and GRM, thereby allowing the application to be monitored and controlled remotely.
- The IO 351B module, which is a general I/O module communicating with CU 362 via GENIbus.
- The MP 204 motor protector (optional), which provides many electrical status values, for example voltage, current, power, insulation resistance and energy. MP 204 offers better protection of the pumps than a conventional motor protection device.

- CUE/VFD (optional), which is either a Grundfos variable-frequency converter or a general variable-frequency converter, also offers better pump protection and a more steady flow through the pit pipes, so the pumps are treated well and the energy consumption is kept at a minimum.

For further information, see the data booklet or installation and operating instructions for Dedicated Controls on www.grundfos.us (Grundfos Product Center).

Name	Dedicated Controls
Application	
One pump	•
Two pumps (up to six pumps)	•
Mixer	•
Battery backup	•
Level sensor	
Float switch	•
Electrodes	
Air bell	
Pressure sensor	•
Ultrasonic sensor	•
Analog level sensor with safety float switches	•
Starting method	
Direct-on-line starting (DOL)	•
Star-delta starting	•
Soft starter	•
Basic functions	
Start and stop of pump(s)	•
Pump alternation	•
High-level alarm	•
Dry-running-level alarm	•
Flow measurement (calculated or via flow sensor)	•
Pump statistics	•
Conflicting-levels alarm	•
Advanced functions	
Start and stop delays (prevent water hammering)	•
Motor temperature sensor	•
Test run/anti-seizing	•
Daily emptying (emptying the pit once a day)	•
Water-in-oil sensor input	•
Communication	
SMS messaging	• ¹⁾
SCADA communication (GSM/GPRS)	• ²⁾
User interface	
Level indication	•
Graphical display	•
PC Tool WW Controls	•

¹⁾ If an SMS module is fitted.

²⁾ If a CIM 250 GSM/GPRS module is fitted in CU 362.

14. Grundfos Product Center

Online search and sizing tool to help you make the right choice.

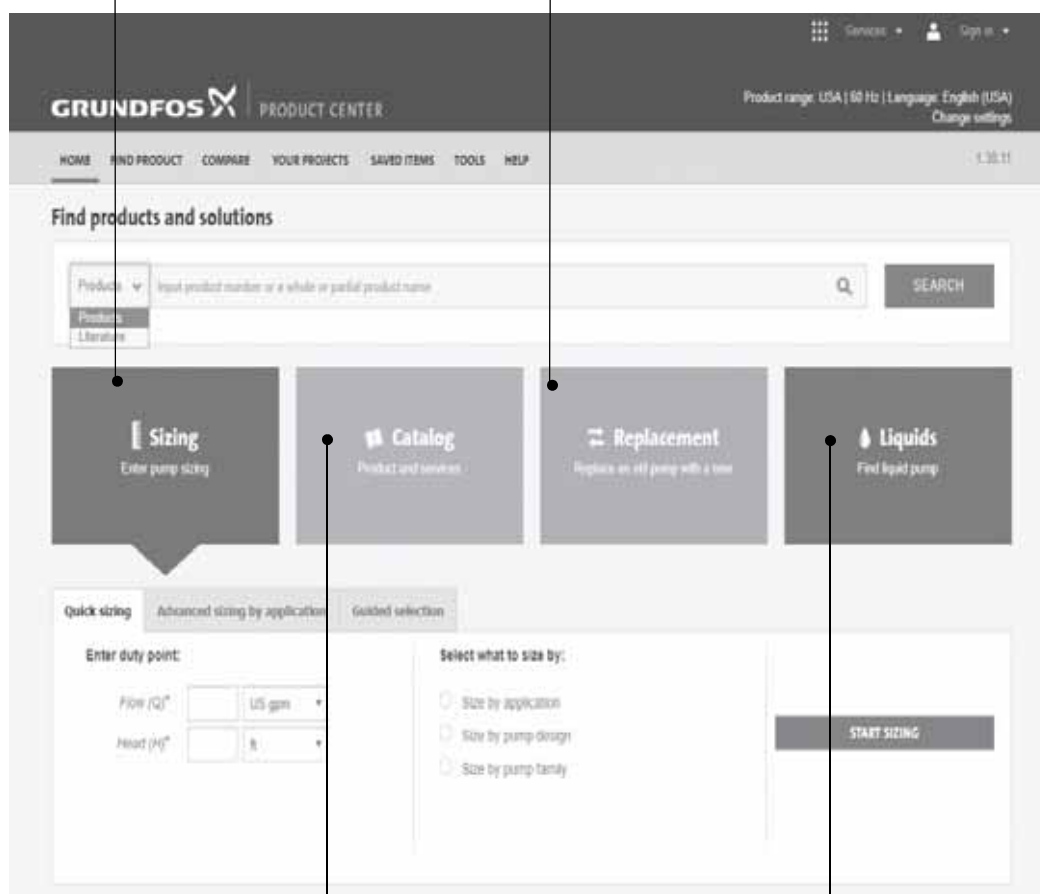
<http://product-selection.grundfos.com>



SIZING enables you to size a pump based on entered data and selection choices.

REPLACEMENT enables you to find a replacement product. Search results will include information on

- the lowest purchase price
- the lowest energy consumption
- the lowest total life cycle cost.



CATALOG gives you access to the Grundfos product catalog.

LIQUIDS enables you to find pumps designed for aggressive, flammable or other special liquids.

All the information you need in one place

Performance curves, technical specifications, pictures, dimensional drawings, motor curves, wiring diagrams, spare parts, service kits, 3D drawings, documents, system parts. The Product Center displays any recent and saved items — including complete projects — right on the main page.

Downloads

On the product pages, you can download Installation and Operating Instructions, Data Booklets, Service Instructions, etc. in PDF format.

Grundfos GO

Mobile solution for professionals on the GO!

Grundfos GO is the mobile tool box for professional users on the go. It is the most comprehensive platform for mobile pump control and pump selection including sizing, replacement and documentation. It offers intuitive, handheld assistance and access to Grundfos online tools, and it saves valuable time for reporting and data collection.



Subject to alterations.

98822245 1118

ECM: 1247616

Grundfos Water Utility, Inc.
3905 Enterprise Court
IL 60504 Aurora
Phone :(+1) 630 236 5500
Telefax: (+1) 630 236 5511

GRUNDFOS Canada Inc.
2941 Brighton Road
Oakville, Ontario L6H 6C9
Canada
Phone: +1-905 829 9533
Telefax: +1-905 829 9512

Bombas GRUNDFOS de Mexico S.A. de C.V.
Boulevard TLC No. 15
Parque Industrial Stiva Aeropuerto
Apodaca, N.L. Mexico 66600
Phone: +52-81-8144 4000
Telefax: +52-81-8144 4010

GRUNDFOS Kansas City
17100 West 118th. Terrace
Olathe. KS 66061
Phone: +1-913 227 3400
Fax: 1-913-227-3500