



PRE-ASSEMBLED SYSTEM FOR MEASUREMENT AND CONTROL

One or two parameters: Cl₂, ClO₂, O₃ with PH or Redox (ORP)

Measuring amplifiers and controllers

The Conex® DIA -2Q (Dosing Instrumentation Advanced) is a dual measuring amplifier and controller capable of continuous measurement and control of two water quality parameters. Input from a flow meter can also be used for combined compound-loop or proportional control.

- Intuitive plain text menu
- Back lit high resolution display
- Calibration function
- Temperature measurement and compensation
- Sensor data and calibration log

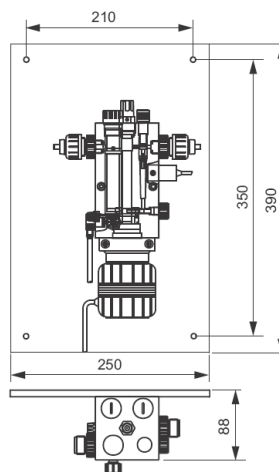
Parameter 1:	Parameter 2:
chlorine (Cl ₂)	pH (standard)
chlorine dioxide (ClO ₂)	Redox/ORP (optional)
Ozone (O ₃)	

Measuring cell

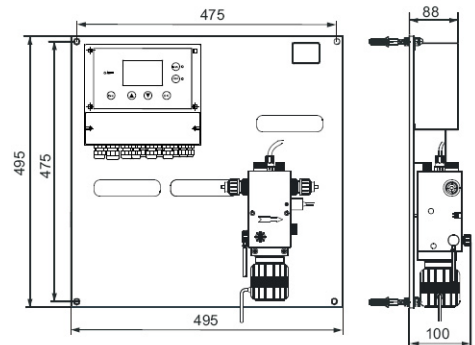
- Potentiostatic measuring cell AQC-D11 (Aquacell)
- Integrated electrode for chlorine, chlorine dioxide or ozone (gold or optional platinum)
- Location for pH or ORP/Redox electrode
- Sample water filter and flow regulator
- Sampling valve

Measuring range

Cl ₂	ClO ₂	O ₃	pH	ORP
	mg/l			mV
	0.00 - 0.50		0.00 - 14.00	-1500 - +1500
	0.00 - 1.00		2.00 - 12.00	+1500
	0.00 - 2.00		5.00 - 9.00	0 - 1000
	0.00 - 5.00			
0.00 - 10.0		x		
0.00 - 20.00	x	x		
Freely selectable between				
0.0 to 50.0		0.00 - 5.00	0.00 - 14.0	-1500 - +1500



TM04 8657 4312



TM04 8671 1913

Note: Dimensions (mm)

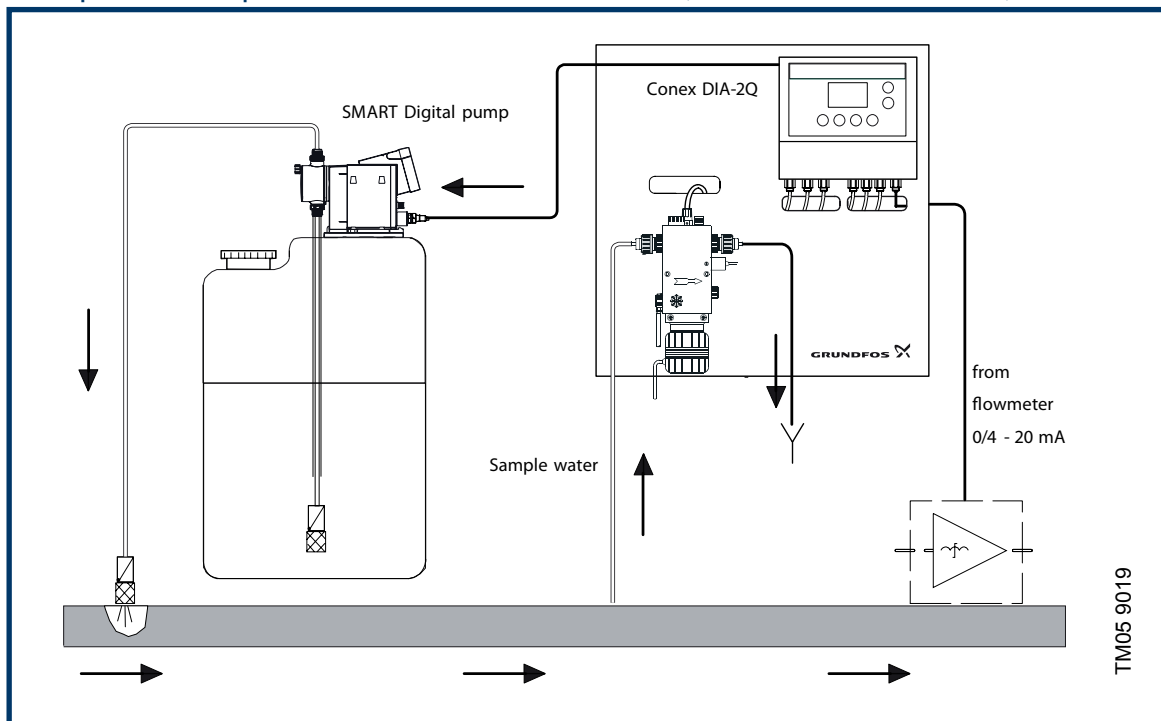
Technical data

Electronics & Controller	16-bit microprocessor, 2-position controller (PI/PID)
Potential-free relay outputs	1 alarm relay, 2 controller relays (250 V/6 A, maximum 550 VA)
Signal inputs	Controller stop; proportional value, disturbance variable 0/4 to 20 mA; water sensor
Signal outputs	4 analog outputs 0/4 to 20 mA, freely adjustable, maximum load 500 W
Measuring sensitivity	< 20 ppb
Measuring accuracy	< ± 5% of upper limit of measuring range
Repeatability	< ± 3%
Response time t90	60 s
Sample water	<ul style="list-style-type: none"> •Temperature: 32-104°F (0-40°C) •pH value: pH 4.5 - 8.2 •Sample water pressure: 3 to 43.5 psi (0.2 - 3 bar), min 3 psi differential pressure •Sample water flow: 5.3 - 11.9 gph (20-45 l/hr) •Clear, low turbidity (100 micron filter suggested if needed) •Connections: 1/4" ID x 3/8" OD tubing (or optional 1/2" MNPT)
Wetted materials	PMMA, PVC, PTFE, EPDM, Glass, PEI
Ambient temperature	32 - 113°F (0-45°C)
Humidity	Maximum 90% (non condensing)
Mains power	115/120 VAC (50/60 Hz) standard; optional 230/240 VAC (50/60 Hz) or 24 V DC
Power consumption	15 VA
Enclosure	IP 65
Weight	Approx. 4.5 lbs. (2 kg)

Order information

Preassembled system:	98386801
Parameter 1: ClO ₂ /Cl ₂ /O ₃	
Parameter 2: pH	
Measuring cell:	98438948
Parameter 1: ClO ₂ /Cl ₂ /O ₃	
Parameter 2: electrode sold separately	
Spare electrodes:	
Gold ClO ₂ /Cl ₂ /O ₃ :	91835242
pH	96609158
ORP	96609162
ORP buffer solution	96609166

Compound-loop control for Conex® DIA-2Q (combined controller)



98528937 0713

GRUNDFOS Pumps Corporation
 17100 West 118th Terrace
 Olathe, Kansas 66061
 Telephone: 913 227 3400
 Fax: 913 227 3500
www.grundfos.com

GRUNDFOS Canada Inc.
 2941 Brighton Road
 Oakville, Ontario L6H 6C9 Canada
 Telephone: 905 829 9533
 Fax: 905 829 9512

Bombas GRUNDFOS de Mexico S.A. de C.V.
 Boulevard TLC #15, Parque Stiva Aeropuerto
 Apodaca, N.L. 66600 Mexico
 Telephone: 52 81 8144 4000
 Fax: 52 81 8144 4010

GRUNDFOS 