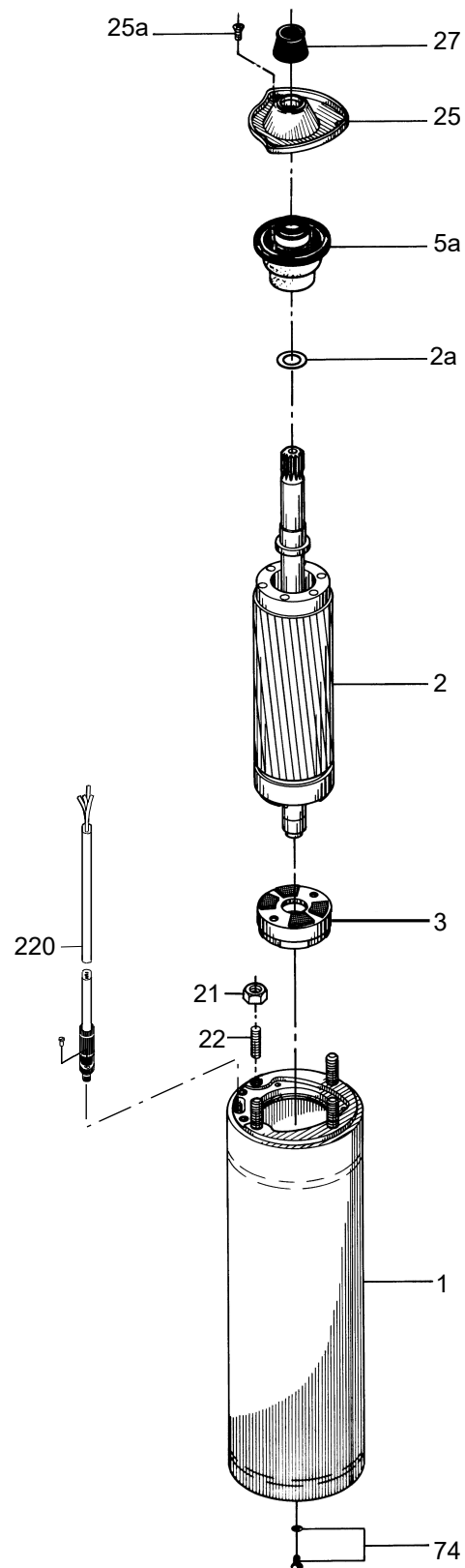


49. MS**MS 402****50/60 Hz, 0.37-2.2 kW****Seal kit**

Pos.	Description	Metric	UNF
	Kit No	96558088	96558241
2a	Stop ring	1	1
5a	Bearing with bellows, NBR	1	1
21	Nut, M8	4	-
	Nut, 5/16"-24 UNF	-	4
22	Staybolt	M8 x M8	4
		M8 x 5/16"-24 UNF	-
25	Cover plate	1	1
25a	Screw M4 x 8	3	3
27	Sand shield	1	1
74	Screw M4 x 8, with gasket	1	1

MS 402



TM004936

MS6**50/60 Hz, 3.7-30 kW****Bearing retainer**

Pos.	Description	3.7 - 9.2 kW		11-30 kW	
		Graphite	WC	Graphite	WC
		Kit No	96163683	96163685	96163684
205	Bearing retainer D-end cpl. 35	1	-	-	-
	Bearing retainer D-end cpl. 50	-	-	1	-
	Bearing retainer D-end cpl. SiC 30	-	1	-	1
236	Bearing retainer N-end cpl.	1	1	1	1
236a	Screw w/cup point	2	2	2	2

Cable

Pos.	Description	Lenght [m]	3 x 4 mm ² + 1 G 4 mm ²	3 x AWG 8 + 1 G AWG 8	4 x 1 x AWG 8	3 x 1 x AWG 8
220	Cable with plug	3	-	-	96163692	-
		5	96163690	96163691	-	96163693
		8	-	-	-	96163859
		10	96163836	96163847	-	-
		15	96163837	96163848	-	-
		20	96163838	96163849	-	-
		25	96163839	96163850	-	-
		30	96163840	96163851	-	-
		40	96163841	96163852	-	-
		50	96163842	96163853	-	-
		60	96163843	96163854	-	-
		67	-	-	96163858	-
		70	96163844	96163855	-	-
		80	96163845	96163856	-	-
		100	96163846	96163857	-	-

Diaphragm

Pos.	Description	NBR	FKM
	Kit No	96163863	96163921
212	Diaphragm	5	5

Filter

Pos.	Description	3.7 - 30 kW
	Kit No	96163923
207	Filter	5

O-ring

Pos.	Description	NBR	FKM
	Kit No	96163674	96163675
220a	O-ring 24 x 2.0 FKM	1	1
222b	O-ring 11 x 2 FKM	1	1
224	O-ring 128 x 3.0	2	2
231	O-ring 68 x 2.0	1	1

Shaft seal

Pos.	Description	Ceramic /carbon	SiC/SiC
	Kit No	96163671	96163672
226a	Shaft seal, stationary	1	1
226b	Shaft seal, rotating	1	1
229	Sand shield (FKM)	1	1
231	O-ring 66 x 2.0 FKM	1	1
232	Lip seal FKM	1	1

Shaft seal housing

Pos.	Description	1.4301	1.4539
	Kit No	96163870	96300021
226	Shaft seal housing	1	1

Thrust bearing

Pos.	Description	3.7 - 9.2 kW	11-30 kW
	Kit No	96163686	96163687
203	Thrust bearing, stationary	1	1
206	Thrust ring, rotating	1	1
209	Turbular pin	1	1
215	Screw countersunk	1	-
	Screw w/cup point	-	2
236a	Screw w/cup point	2	2
242	Upthrust spacer 7.5 kN (27.5 kN model B)	1	1
	Upthrust spacer (27.5 kN model A)	-	1

Thrust ring support, model A

Pos.	Description	3.7 - 9.2 kW	11-30 kW
	Kit No	96163688	96163689
208	Thrust ring support	1	1

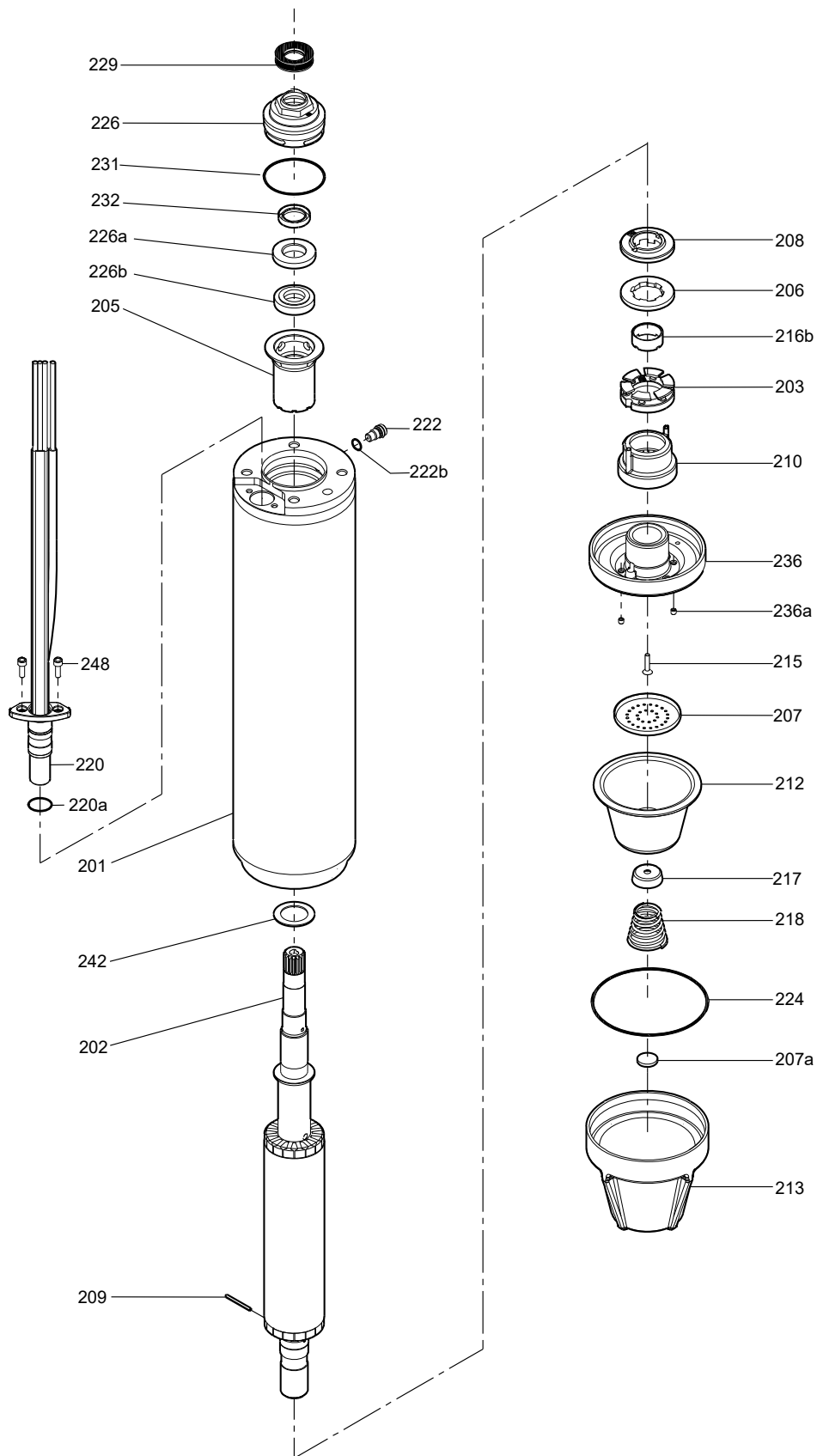
Thrust ring support, model B

Pos.	Description	3.7 - 9.2 kW	11-30 kW
	Kit No	96163919	96163920
208	Thrust ring support, cone	1	1
216d	O-ring 27.5 x 3.0 NBR	1	-
	O-ring 17.0 x 4.0 NBR	-	1

Valve

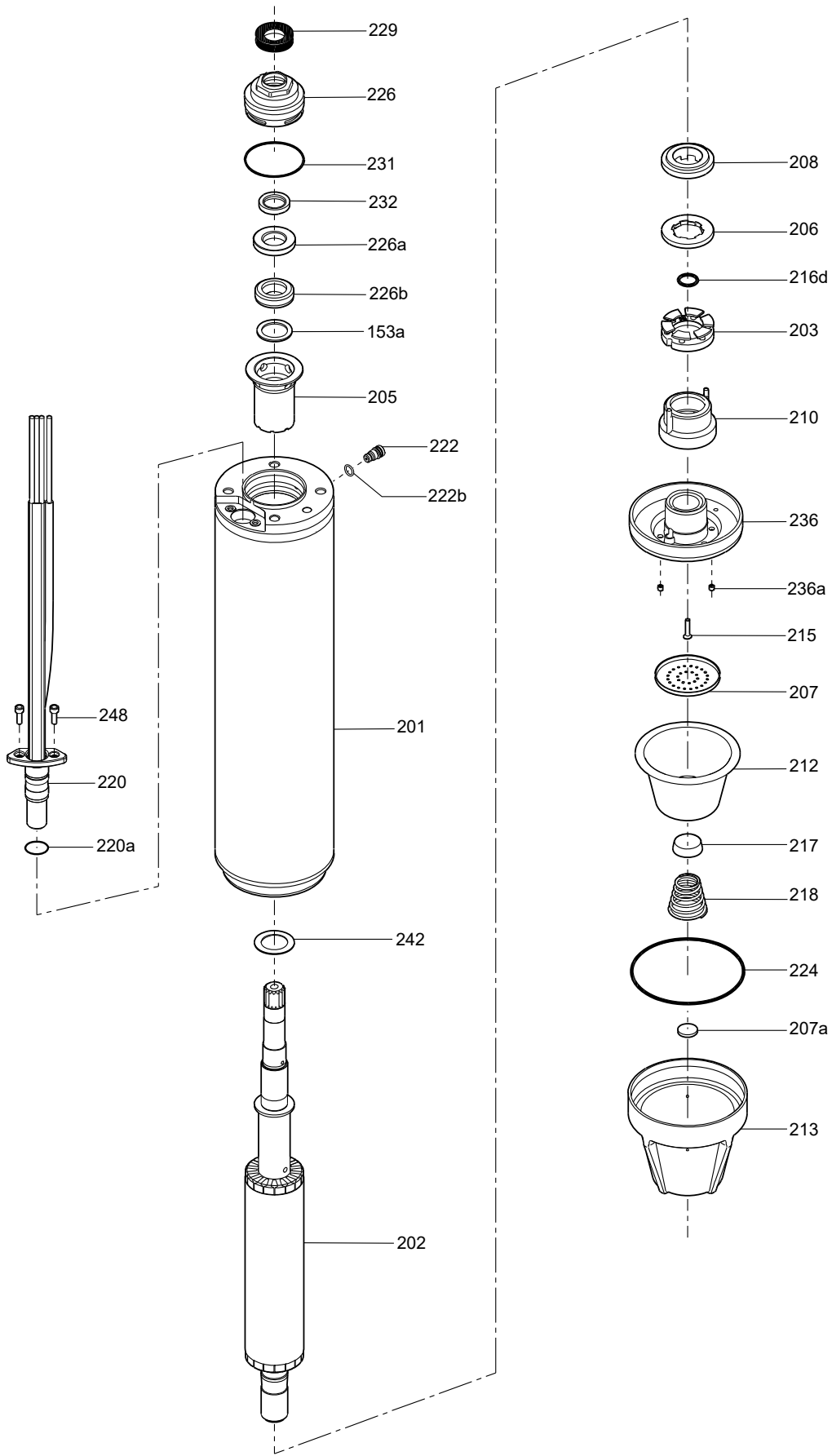
Pos.	Description	NBR	FKM
	Kit No	96163922	96300030
222	Valve cpl.	5	-
222	Plug M12 CPL.R	-	5
222b	Valve cpl.	5	5

3.7-9.2 kW



TM036155

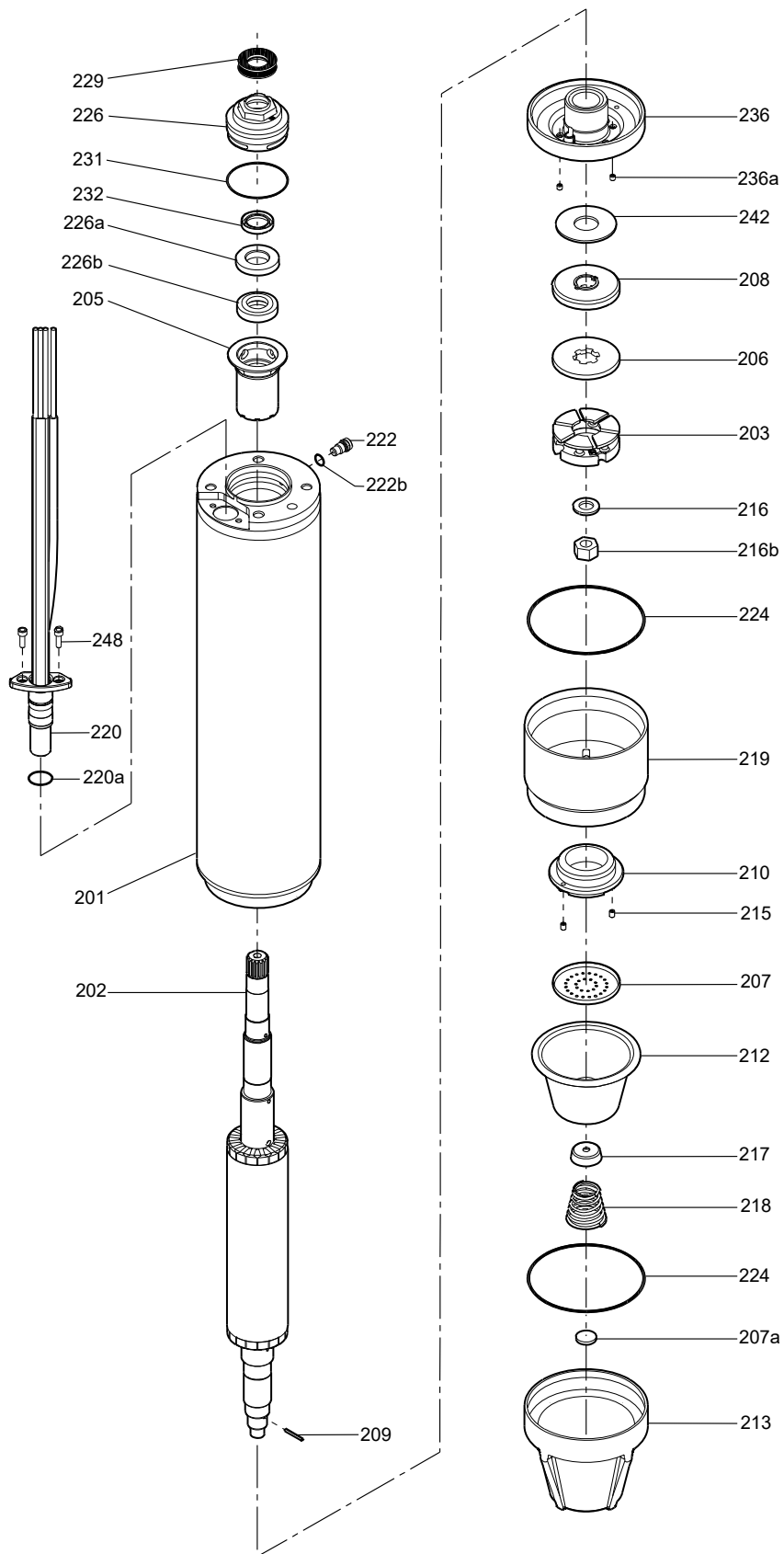
Model A



Model B

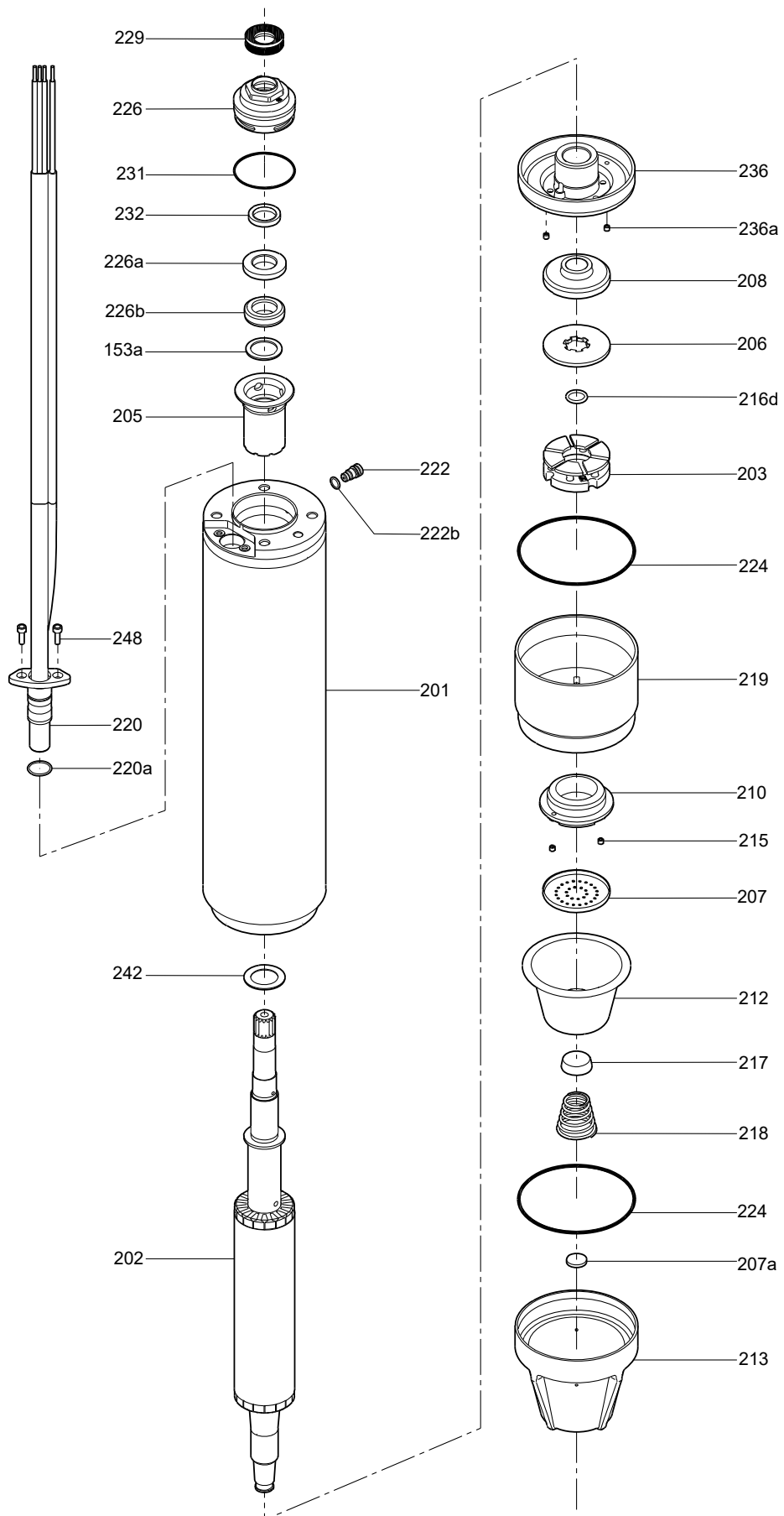
TM043716

11-30 kW



Model A

TM036188



Model B

TM043717

MS 4000**Model B, 50/60 Hz (0.37 - 7.5 kW)****Radial bearing**

Pos.	Description	0.37 - 2.2 kW	3.0 - 5.5 kW	7.5 kW
		Kit No	Kit No	Kit No
		96558320	96558321	96558322
4	Radial bearing	1	1	1
5	Bearing pipe	1	1	1

Gasket kit

Pos.	Description	Seal faces / rubber	Tungsten carbide/ Al ₂ O ₃	SiC/SiC	SiC/SiC
			Kit No	Kit No	Kit No
			96558323	96558324	96558325
12	Diaphragm	NBR	1	1	-
		FKM	-	-	1
22c	O-ring 4 x 1	NBR	1	1	-
		FKM	-	-	1
24	O-ring 40 x 2	NBR	1	1	1
		FKM	-	-	-
25	Shaft seal housing		1	1	1
27	Spline protector	NBR	1	1	-
		FKM	-	-	1
28	Supporting ring		1	1	1
29	Sand shield	NBR	1	1	-
		FKM	-	-	1
30	Spring		1	1	1
31	Supporting ring		1	1	1
32	Seal ring, upper	NBR	1	-	-
		FKM	-	1	1
34	Seal ring, lower	FKM	1	1	1
	O-ring for supply cable	15 x 1.5, NBR	2	2	-
		14.1 x 1.6, FKM	-	-	2

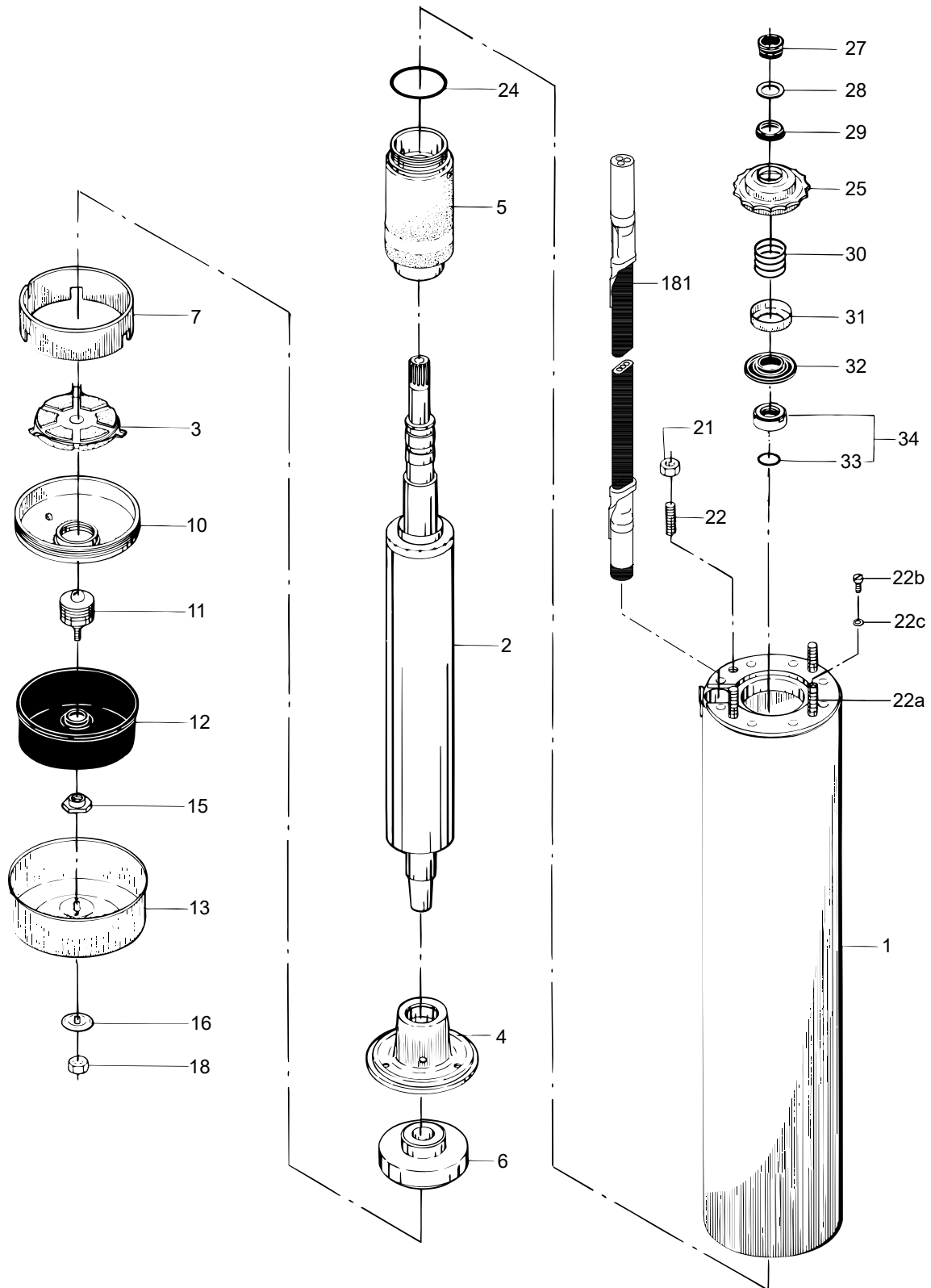
Staybolt

Pos.	Description		Metric	Metric R version	UNF	UNF R version
			Kit No	Kit No	Kit No	Kit No
			96558242	96558243	96558244	96558245
21	Nut	M8	4	4	-	-
		5/16"-24 UNF	-	-	4	4
22	Staybolt	M8 x M8	4	4	-	-
		M8 x 5/16"-24 UNF	-	-	4	4

Thrust bearing

Description		0.55 - 1.5 kW		1.9 - 5.5 kW		7.5 kW	
Three phase motor		0.55 - 1.5 kW		1.9 - 5.5 kW		7.5 kW	
Single phase motor		N/A		0.37 - 3.7 kW		N/A	
		2.2 kN		4.4 kN		2.2 kN	
Material		EN 1.4301	EN 1.4539	EN 1.4301	EN 1.4539	EN 1.4301	EN 1.4539
Pos.	Kit No	93068751	93068755	93068752	96558247	93068753	96558249
6	Thrust bearing, rotating	1	1	1	1	1	1
3	Thrust bearing, stationary	1	1	1	1	1	1
7	Clamping ring	1	1	1	1	1	1
10	Bearing retainer	1	1	1	1	1	1
11	Adjusting screw (EN 1.4301)	1	-	1	-	1	-
	Adjusting screw (EN 1.4539)	-	1	-	1	-	1
13	Cover (EN 1.4301)	1	-	1	-	1	-
	Cover (EN 1.4539)	-	1	-	1	-	1
15	Nut for rubber diaphragm (EN 1.4301)	1	-	1	-	1	-
	Nut for rubber diaphragm (EN 1.4539)	-	1	-	1	-	1
16	Lock washer (EN 1.4301)	1	-	1	-	1	-
	Lock washer (EN 1.4539)	-	1	-	1	-	1
18	Nut, M8 (EN 1.4301)	1	-	1	-	1	-
	Nut, M8 (EN 1.4539)	-	1	-	1	-	1

MS 4000



TM005071

Model C, 50/60 Hz (0.37 - 7.5 kW)**Radial bearing**

Pos.	Description	0.37 - 2.2 kW	3.0 - 5.5 kW	7.5 kW
		Kit No	Kit No	Kit No
		93068698	93068699	93068750
42	Radial bearing	1	1	1
5	Bearing pipe	1	1	1

Gasket kit

Pos.	Description	Seal faces / rubber / material	Tungsten carbide/ Al ₂ O ₃	SiC/SiC	SiC/SiC
			Kit No	Kit No	Kit No
			93068756	93068757	93068758
35	Spline protector	NBR	1	1	-
		FKM	-	-	1
35a	Supporting ring for cover	N (EN 1.4401)	1	-	-
		R (EN 1.4584)	-	1	1
12	Diaphragm	NBR	1	1	-
		FKM	-	-	1
24	O-ring 39 x 2	NBR	1	1	-
		FKM	-	-	1
1a	Fill plug cpl.		1	1	1
34	Shaft seal, rotating	Z (EN 1.4308)	1	1	-
		R (EN 1.4584)	-	-	1
33	Shaft seal, stationary	NBR	1	1	-
		FKM	-	-	1
32a	Supporting ring	N (EN 1.4401)	1	-	-
		R (1.4539)	-	1	1
32b	Spring		1	1	1
32	Shaft seal housing	Z (EN 1.4308)	1	-	-
		R (EN.1.4517)	-	1	1
27	Sand shield	NBR	1	1	-
		FKM	-	-	1

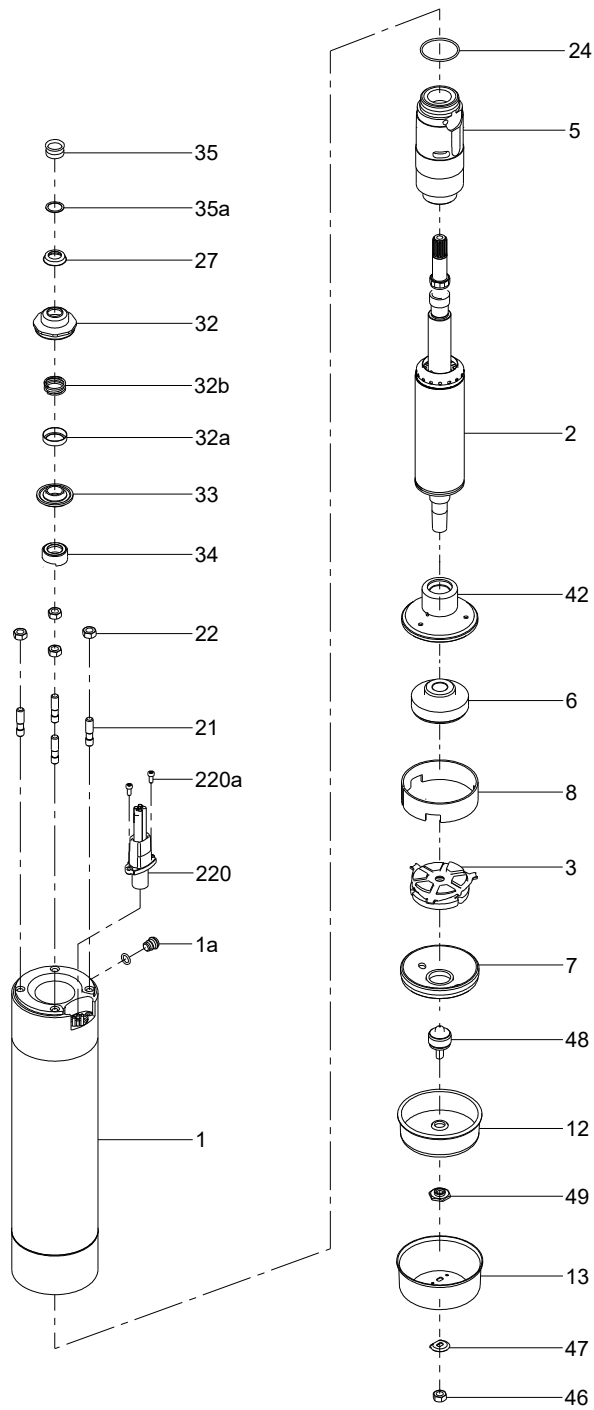
Staybolt

Pos.	Description		Metric	Metric R version	UNF	UNF R version
			Kit No	Kit No	Kit No	Kit No
			96558242	96558243	96558244	96558245
22	Nut	M8	4	4	-	-
		5/16"-24 UNF	-	-	4	4
21	Staybolt	M8 x M8	4	4	-	-
		M8 x 5/16"-24 UNF	-	-	4	4

Thrust bearing

Description		0.55 - 1.5 kW		1.9 - 5.5 kW		7.5 kW	
Three phase motor		N/A		0.37 - 3.7 kW		N/A	
Single phase motor		2.2 kN		4.4 kN		2.2 kN	
Material		EN 1.4301	EN 1.4539	EN 1.4301	EN 1.4539	EN 1.4301	EN 1.4539
Pos.	Kit No	93068751	93068755	93068752	96558247	93068753	96558249
6	Thrust bearing, rotating	1	1	1	1	1	1
3	Thrust bearing, stationary	1	1	1	1	1	1
8	Clamping ring	1	1	1	1	1	1
7	Bearing retainer	1	1	1	1	1	1
48	Adjusting screw (EN 1.4301)	1	-	1	-	1	-
	Adjusting screw (EN 1.4539)	-	1	-	1	-	1
13	Cover (EN 1.4301)	1	-	1	-	1	-
	Cover (EN 1.4539)	-	1	-	1	-	1
49	Nut for rubber diaphragm (EN 1.4301)	1	-	1	-	1	-
	Nut for rubber diaphragm (EN 1.4539)	-	1	-	1	-	1
47	Lock washer (EN 1.4301)	1	-	1	-	1	-
	Lock washer (EN 1.4539)	-	1	-	1	-	1
46	Nut, M8 (EN 1.4301)	1	-	1	-	1	-
	Nut, M8 (EN 1.4539)	-	1	-	1	-	1

MS 4000



TM082380

MS 6000**50/60 Hz, Model B (5.5-30 kW)****End cover**

Pos.	Description	Standard version	R version
	Kit No	96558380	96558381
12	Diaphragm	NBR 1	-
		FKM -	1
13	End cover	1	1
46	Screw with washer	4	4

Radial bearing

Pos.	Description	All
	Kit No	96558412
4	Radial bearing	1
5	Bearing pipe	1

Screw

Pos.	Description	Standard version	R version
	Kit No	96558327	96558328
22	Screw 1/2" UNF x 32	4	4

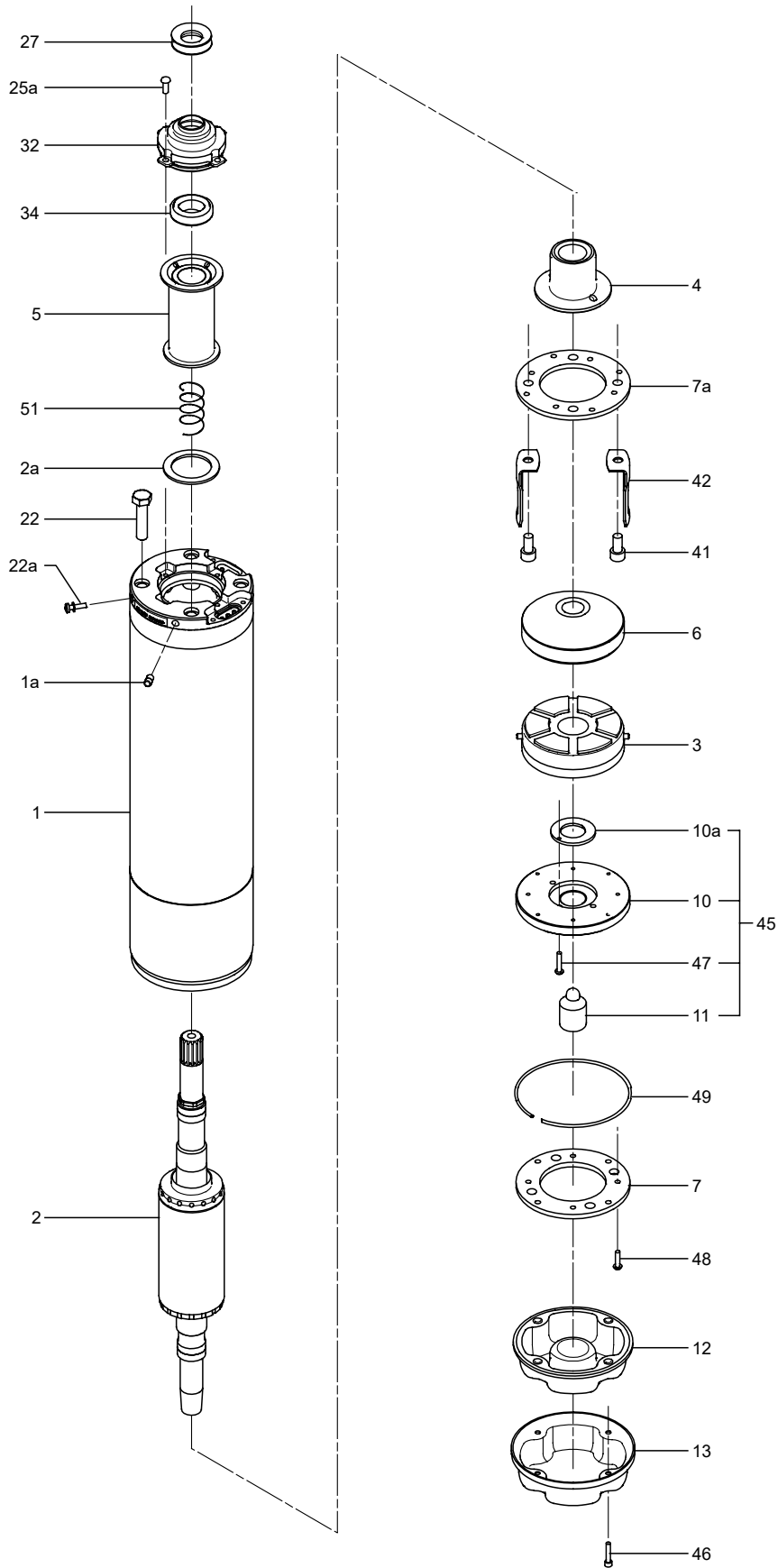
Seal kit

Pos.	Description	Carbon/ceramic	SiC/SiC
	Kit No	96558414	96558416
1a	Valve	1	-
	Plug	1	1
2a	Stop ring	1	1
12	Diaphragm	FKM 1	1
22a	Screw with washer	M5 x 20 1	1
25a	Screw	M6 x 15 4	4
27	Sand shield	FKM 1	1
32	Shaft seal	1	1
34	Seal ring	1	1
46	Screw with washer	M5 x 25 4	4

Thrust bearing

Pos.	Description	5.5 - 7.5 kW	9.2 - 30 kW
	Kit No	96558389	96558410
3	Thrust bearing, rotating	1	1
6	Thrust bearing, stationary	1	1
7	Clamping flange	2	2
41	Screw	4	4
42	Stop for bearing	2	2
45	Shaft adjusting unit	1	1
48	Screw	4	4
49	Spring	1	1

MS 6000



TM026425