

## 76. SEG

## 50 Hz/ 60 Hz / 60 Hz US

## Impeller - 50 Hz

Pos.	Description	SEG.40						SEG.50			
		0.9 kW	1.2 kW	1.5 kW	2.6 kW	3.1 kW	4.0 kW	2.6 kW	3.1 kW	4.0 kW	
Kit No		96076115	96076116	96076117	96076118	96076119	96076120	99346032	99346046	99346048	
9a	Key	5 x 5 x 12	1	1	1	-	-	-	-	-	-
		6 x 6 x 14	-	-	-	1	1	1	1	1	1
49	Impeller	1	1	1	1	1	1	1	1	1	
66	Locking ring	1	1	1	1	1	1	1	1	1	
68	Adjustment nut	1	1	1	1	1	1	1	1	1	
188a	Screw	1	1	1	1	1	1	1	1	1	

## Impeller - 60 Hz

Pos.	Description	SEG.(K)40						SEG.(K)50			
		0.9 kW	1.2 kW	1.5 kW	2.6 kW	3.1 kW	4.0 kW	2.6 kW	3.1 kW	4.0 kW	
Kit No		98453205	98453203	98453192	98453178	98453177	98453174	98453206	98453179	98453172	
9a	Key	5 x 5 x 12	1	1	1	-	-	-	-	-	-
		6 x 6 x 14	-	-	-	1	1	1	1	1	1
49	Impeller	1	1	1	1	1	1	1	1	1	
66	Locking ring	1	1	1	1	1	1	1	1	1	
68	Adjustment nut	1	1	1	1	1	1	1	1	1	
188a	Screw	1	1	1	1	1	1	1	1	1	

## Impeller - 60 Hz US

Pos.	Description	SEG.A15				SEG.A20			
		2.0 hp	3.0 hp	4.0 hp	5.5 hp	3.0 hp	4.0 hp	5.5 hp	
Kit No		98453192	98588986	98453177	98453174	98453191	98453179	98453172	
9a	Key	5 x 5 x 12	1	-	-	-	-	-	-
		6 x 6 x 14	-	1	1	1	1	1	1
49	Impeller	1	1	1	1	1	1	1	
66	Locking ring	1	1	1	1	1	1	1	
68	Adjustment nut	1	1	1	1	1	1	1	
188a	Screw	1	1	1	1	1	1	1	

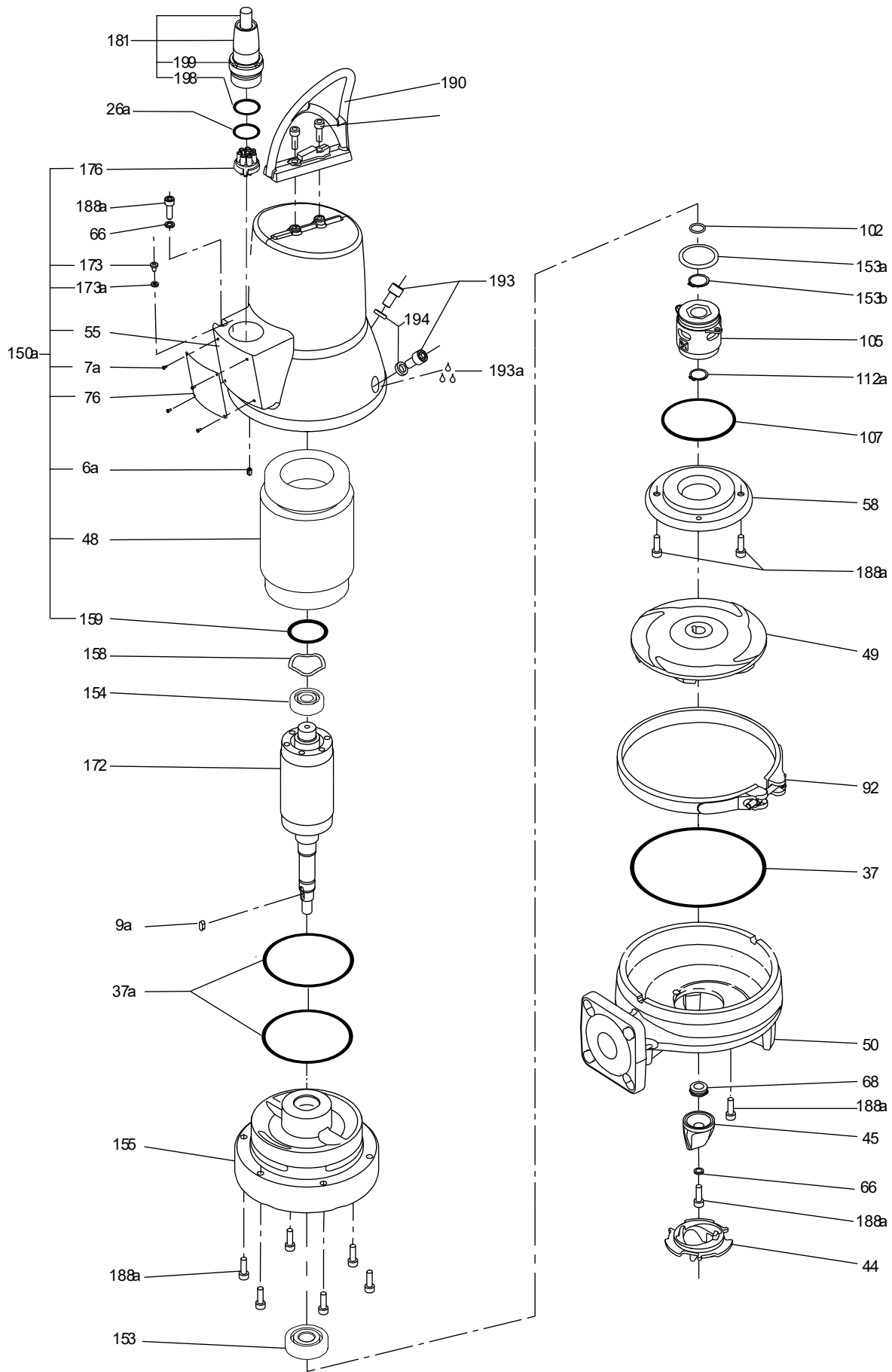
## O-ring

Pos.	Description		0.9 - 1.5 kW / 2.0 hp		2.6 - 4.0 kW / 3.0 - 5.5 hp	
			NBR	FKM	NBR	FKM
			Kit No	96076124	96646061	96076125
16	O-ring	34.2 x 3.0	1	-	1	1
26a	O-ring	32.0 x 4.0	1	1	1	1
37	O-ring	164.5 x 3.0	1	1	-	-
		204.0 x 3.0	-	-	1	1
37a	O-ring	114.0 x 3.0	2	2	-	2
		144.3 x 5.7	-	-	2	2
90b	O-ring	180.0 x 2.0	-	1	-	1
102	O-ring	16.0 x 1.5	1	1	-	-
		17.3 x 2.4	-	-	1	1
107	O-ring	47.0 x 3.0	1	1	-	-
		50.0 x 3.0	-	-	1	-
		90.0 x 4.0	-	-	-	1
108	O-ring	50.0 x 3.0	1	1	2	2
153b	O-ring	28.0 x 2.0	1	1	-	1
		32.0 x 2.0	1	1	-	-
159	O-ring	37.0 x 2.0	1	1	-	-
		52.0 x 3.0	-	-	1	1
185	O-ring	31.0 x 2.0	1	-	1	-
194	Sealing washer		2	2	2	2
198	O-ring	34.2 x 3.0	-	1	-	1
-	Bush for shaft seal		1	1	-	-

## Sphere for hook-up - 50 Hz

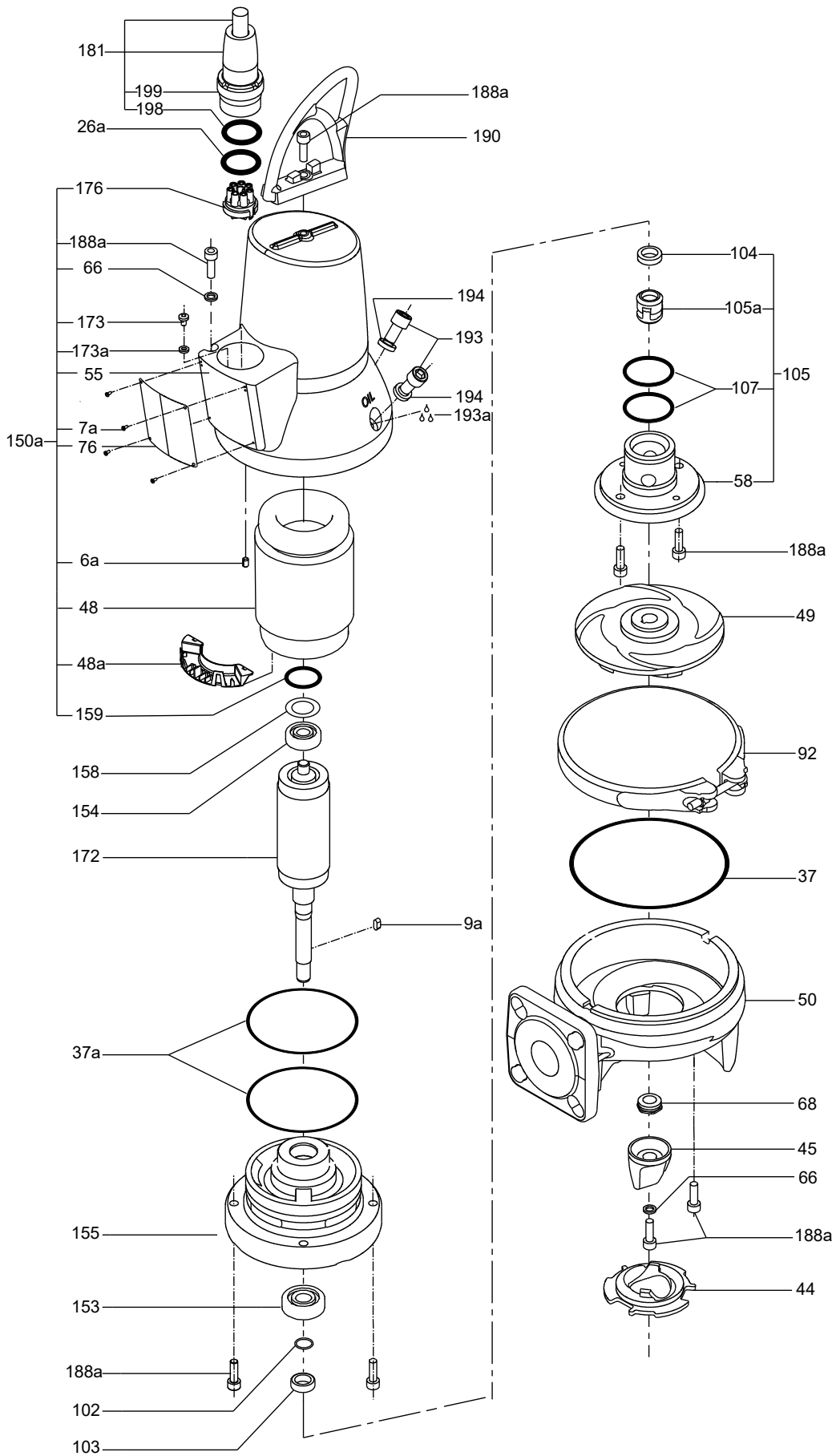
Pos.	Description		DN 40 / Rp 1 1/2		DN 50 / Rp 2	
			NBR	FKM	NBR	FKM
			Kit No	96592033	96657776	96592034
-	Sphere for hook-up		1	1	1	1

2.6 to 4.0 kW / 3.0 to 5.5 hp



TM065759

Up to 1.5 kW / 2.0 hp



TM065739

## Shaft seal

Pos.	Description	SEG.(K)40		SEG.(K)50		SEG.A15		SEG.A20		
		0.9-1.5 kW	2.6-4.0 kW	0.9-1.5 kW	2.6-4.0 kW	2.0 hp	3.0-5.5 hp	2.0 hp	3.0-5.5 hp	
		NBR	FKM	NBR	FKM	NBR	FKM	NBR	FKM	
	Kit No	96076122	96645160	96076123	96645275	96076122	96645160	96076123	96645275	
9a	Key	5 x 5 x 12	1	1	-	-	1	1	-	-
		6 x 6 x 14	-	-	1	1	-	-	1	1
37	O-ring	164.5 x 3.0	1	1	-	-	1	1	-	-
		204.0 x 3.0	-	-	1	1	-	-	1	1
58	Shaft seal retainer	1	-	-	-	1	-	-	-	
66	Lock washer	1	1	1	1	1	1	1	1	
102	O-ring	16.0 x 1.5	1	1	-	-	1	1	-	-
		17.3 x 2.4	-	-	1	1	-	-	1	1
103	Bush for seal ring	1	1	-	-	1	1	-	-	
104	Seal ring	1	-	-	-	1	-	-	-	
105	Shaft seal cartridge	1	1	1	1	1	1	1	1	
107	O-ring	47.0 x 3.0	2	-	-	-	2	-	-	
		90.0 x 4.0	-	-	1	1	-	-	1	1
112a	Retaining ring	-	-	1	1	-	-	1	1	
188a	Screw	1	1	1	1	1	1	1	1	
194	Sealing washer	2	2	2	2	2	2	2	2	
-	Bush for shaft seal	1	1	-	-	1	1	-	-	

## Grinder

Pos.	Description	SEG.(K)40		SEG.(K)50	SEG.A15		SEG.20
		standard	heavy duty	heavy duty	standard	heavy duty	standard
		Kit No	96076121	96903344	98453210	96076121	96903344
44	Grinder ring	1	1	1	1	1	1
45	Grinder head	1	1	1	1	1	1
66	Lock washer	1	1	1	1	1	1
188a	Screw	1	1	1	1	1	1

## Cable - 50 Hz

Pos.	Description	Length	10 m		15 m		20 m		25 m	
			Standard	Ex	Standard	Ex	Standard	Ex	Standard	Ex
		Type	96591649	96689976	96659473	96689977	96591660	96689978	96689953	96689979
181	Cable									

## Cable - 60 Hz

Pos.	Description	SEG.(K)40/50				SEG.A15/20			
		10 m	15 m	20 m	25 m	33 ft	49 ft	66ft	82 ft
		97634728	97634909	97634910	97634911	97634728	97634909	97634910	97634911
181	Cable								

## Cable plug

Pos.	Description	Type size	Connection	Kit No
176	Plug for power connection	0.9-1.5 kW / 2.0 hp	Y	96747254
		2.6 kW / 3.0 hp	-	96747255
		0.9-1.5 kW / 2.0 hp	D	96747257
		0.9-1.2 kW	1-phase	96747258

**Lifting bracket**

Pos.	Description	0.9 - 1.5 kW	2.6 - 4.0 kW	2.0 hp	3.0 - 5.5 hp
		Kit No	Kit No	Kit No	Kit No
188a	Screw	1	1	1	1
190	Lifting bracket	1	1	1	1

**Shaft with rotor - 50 Hz**

High flow variants only.

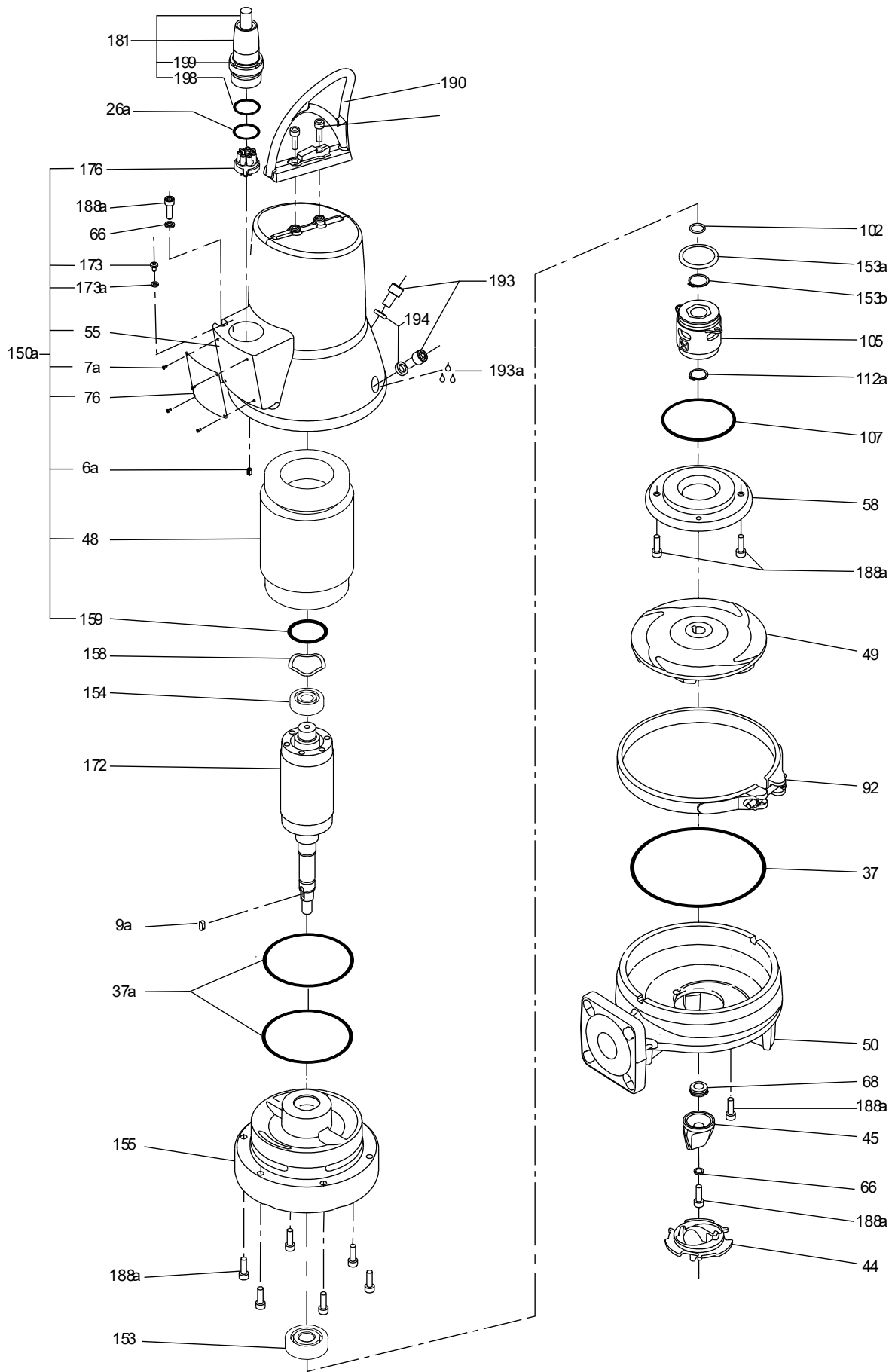
Pos.	Description	2.6 kW		3.1 - 4.0 kW	
		standard	Ex	standard	Ex
		Kit No	Kit No	Kit No	Kit No
172	Shaft with rotor	1	1	1	1

**Shaft seal carrier- 50 Hz**

High flow variants only.

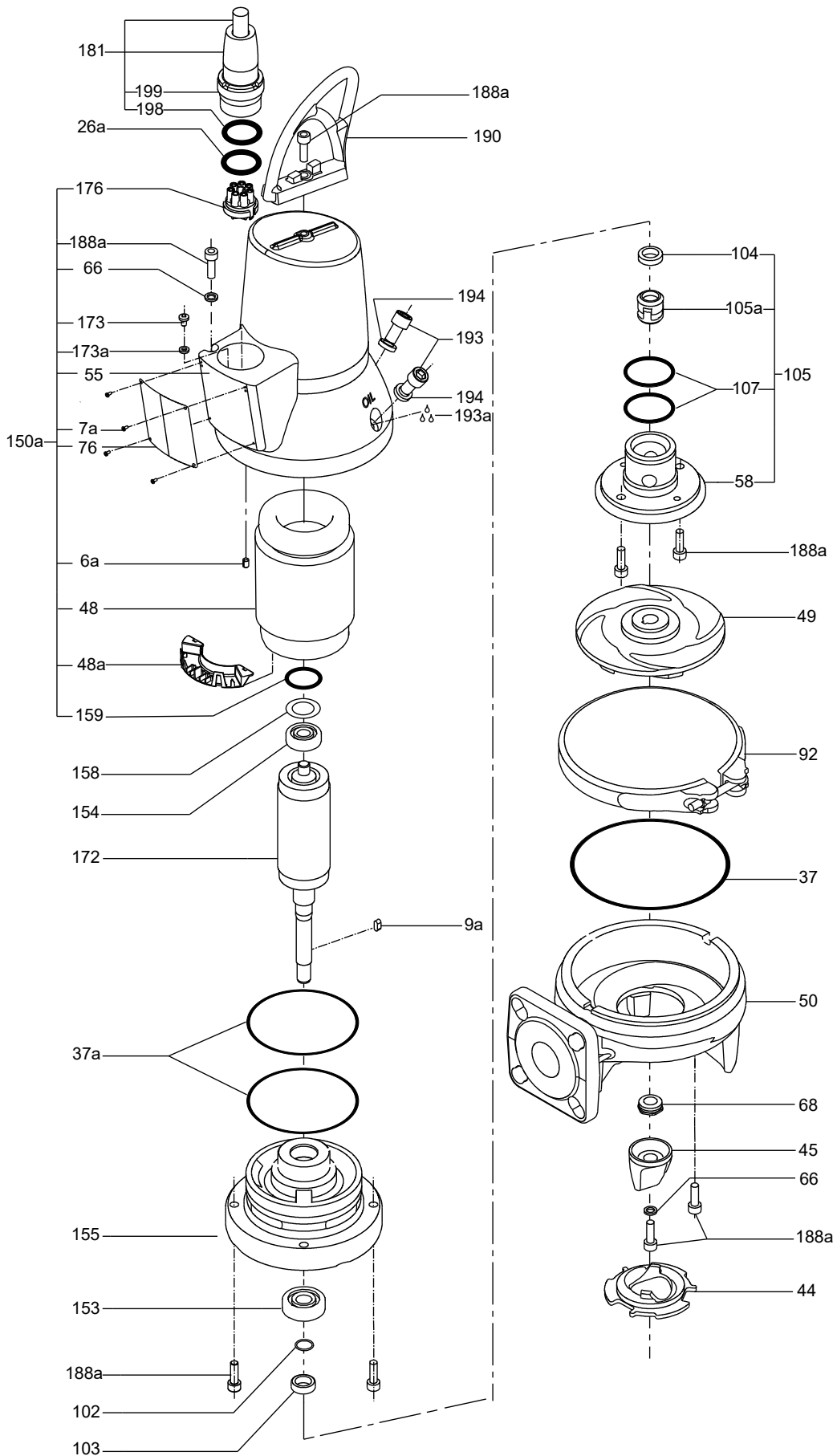
Pos.	Description/Kit No	99346051
58	Shaft seal carrier	1

2.6 to 4.0 kW / 3.0 to 5.5 hp



TM065759

Up to 1.5 kW / 2.0 hp



TM065739



## Bearings

Pos.	Description	50 Hz		60 Hz		60 Hz US	
		0.9 - 1.5 kW	2.6 - 4.0 kW	0.9 - 1.5 kW	2.6 - 4.0 kW	2.0 hp	3.0 - 5.5 hp
		Kit No		Kit No		Kit No	
		<a href="#">98682341</a>	<a href="#">96690710</a>	<a href="#">96690709</a>	<a href="#">96690710</a>	<a href="#">96690709</a>	<a href="#">96690710</a>
153	Bearing (lower)	1	1	1	1	1	1
153b	Retaining ring	-	1	-	1	-	-
154	Bearing (upper)	1	1	1	1	1	1

## Pump housing - 60 Hz

Pos.	Description	SEG.40		SEG.50	SEG.K40		SEG.K50	SEG.A15		SEG.A20
		0.9 - 1.5 kW	2.6 - 4.0 kW	2.6 - 4.0 kW	0.9 - 1.5 kW	2.6 - 4.0 kW	2.6 - 4.0 kW	2.0 hp	3.0 - 5.5 hp	3.0 - 5.5 hp
		Kit No		Kit No	Kit No		Kit No	Kit No		Kit No
		<a href="#">98453277</a>	<a href="#">98453280</a>	<a href="#">98453300</a>	<a href="#">98453296</a>	<a href="#">98453299</a>	<a href="#">98453291</a>	<a href="#">98453278</a>	<a href="#">98453298</a>	<a href="#">98453291</a>
50	Pump housing	1	1	1	1	1	1	1	1	1

## Pump housing - 50 Hz

Pos.	Description	SEG.50	
		2.6 - 4.0 kW	
		Kit No	
		<a href="#">99346023</a>	
50	Pump housing	1	

## Clamp

Pos.	Description	0.9 - 1.5 kW	2.6 - 4.0 kW
		2.0 hp	3.0 - 5.5 hp
		Kit No	
		<a href="#">96592050</a>	<a href="#">96592054</a>
92	Clamp complete	1	1

## Guide claw - 50 Hz

Pos.	Description	DN 40	
		NBR	FKM
		Kit No	
		<a href="#">96592055</a>	<a href="#">96659162</a>
-	Rubber seal for guide shoe	1	1
-	Guide shoe	1	1

## SmartSeal - 50 Hz

Pos.	Description	DN 40	
		NBR	FKM
		Kit No	
		<a href="#">96592036</a>	<a href="#">96659159</a>
-	SmartSeal for guide claw	1	1

## Upper guide rail holder - 50 Hz

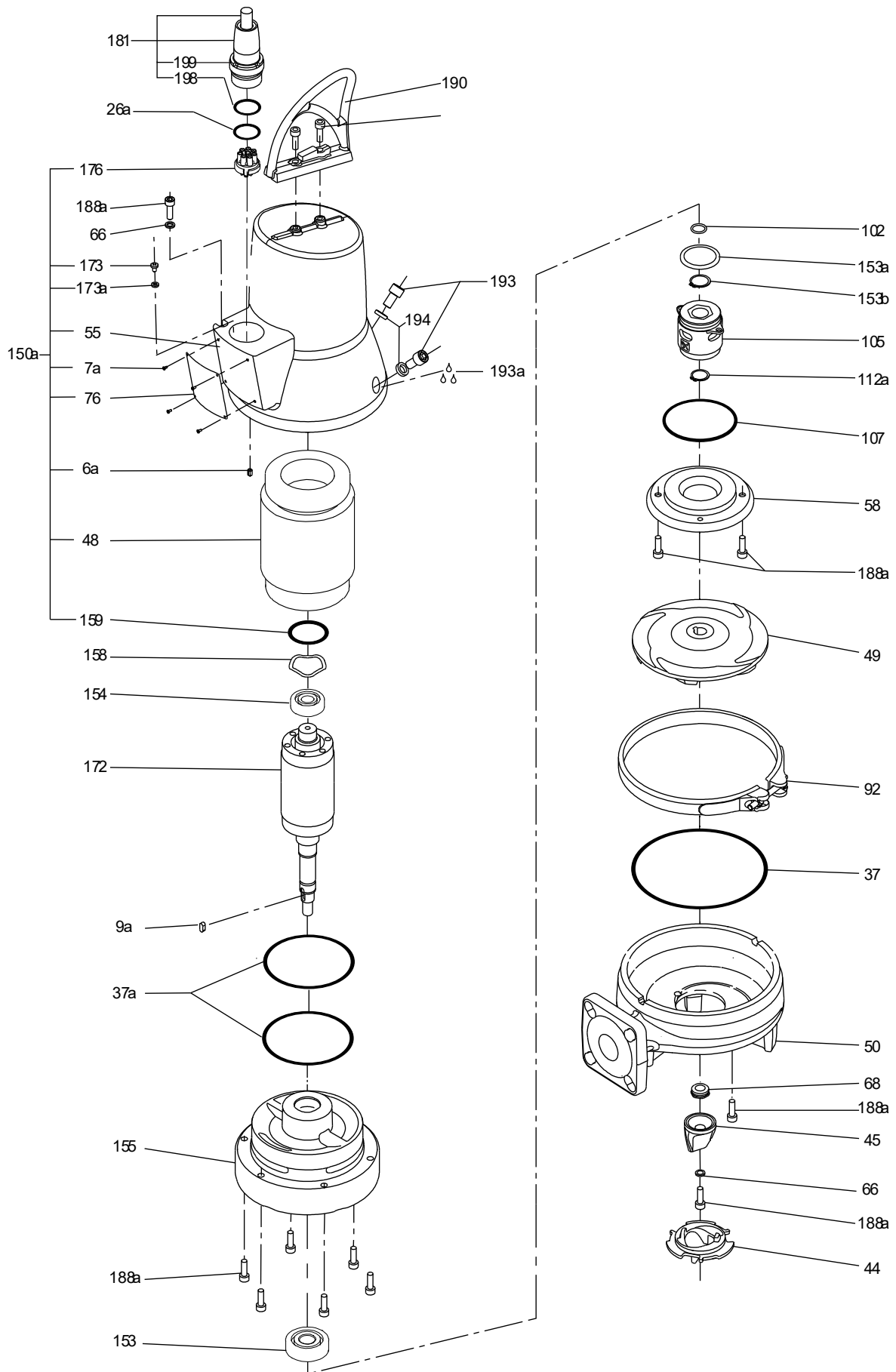
Pos.	Description	DN 40
		Kit No
		<a href="#">96829356</a>
-	Upper guide rail holder 3/4"	1
-	Rubber tube (20-9-35)	2
-	Rubber tube (26-9-35)	2
-	Screw	2
-	Washer	2
-	Nut	2

## Stator with housing - 60 Hz

SEG.(K)40 / SEG.A15		0.9 - 1.5 kW / 2.0 hp				2.6 kW / 3.0 hp			3.1 - 4.0 kW / 4.0 - 5.5 hp			
Pos.	Description	DIN	208-230 V	380 V	460 V	200-230 V	380 V	460 V	200-230 V	380 V	460 V	200-230 V
			98451891	98451893	98451884	98451878	98451898	98451885	98451879	98451904	98451887	98451880
		US	208-230 V	460 V	575 V	200-230 V	460 V	575 V	200-230 V	460 V	575 V	200-230 V
			98451882	98451884	98451881	98451878	98451885	98451886	98451879	98451887	98451888	98451880
6a	Spring pin		1	1	1	1	1	1	1	1	1	1
48	Stator		1	1	1	1	1	1	1	1	1	1
48a	Cover for stator connection		1	1	1	1	-	-	-	-	-	-
55	Stator housing		1	1	1	1	1	1	1	1	1	1
159	O-ring NBR	37.0 x 2.0	1	1	1	1	-	-	-	-	-	-
		52.0 x 3.0	-	-	-	-	1	1	1	1	1	1
173	Screw		1	1	1	1	1	1	1	1	1	1
173a	Lock washer		1	1	1	1	1	1	1	1	1	1
176	Cable plug		1	1	1	1	1	1	1	1	1	1
1031	Connector pin		-	-	-	-	6	6	6	6	6	6
-	Short circuit bridge		-	1	1	-	-	-	-	-	-	-
-	Cover against sharp edges		-	-	-	-	1	1	1	1	1	1

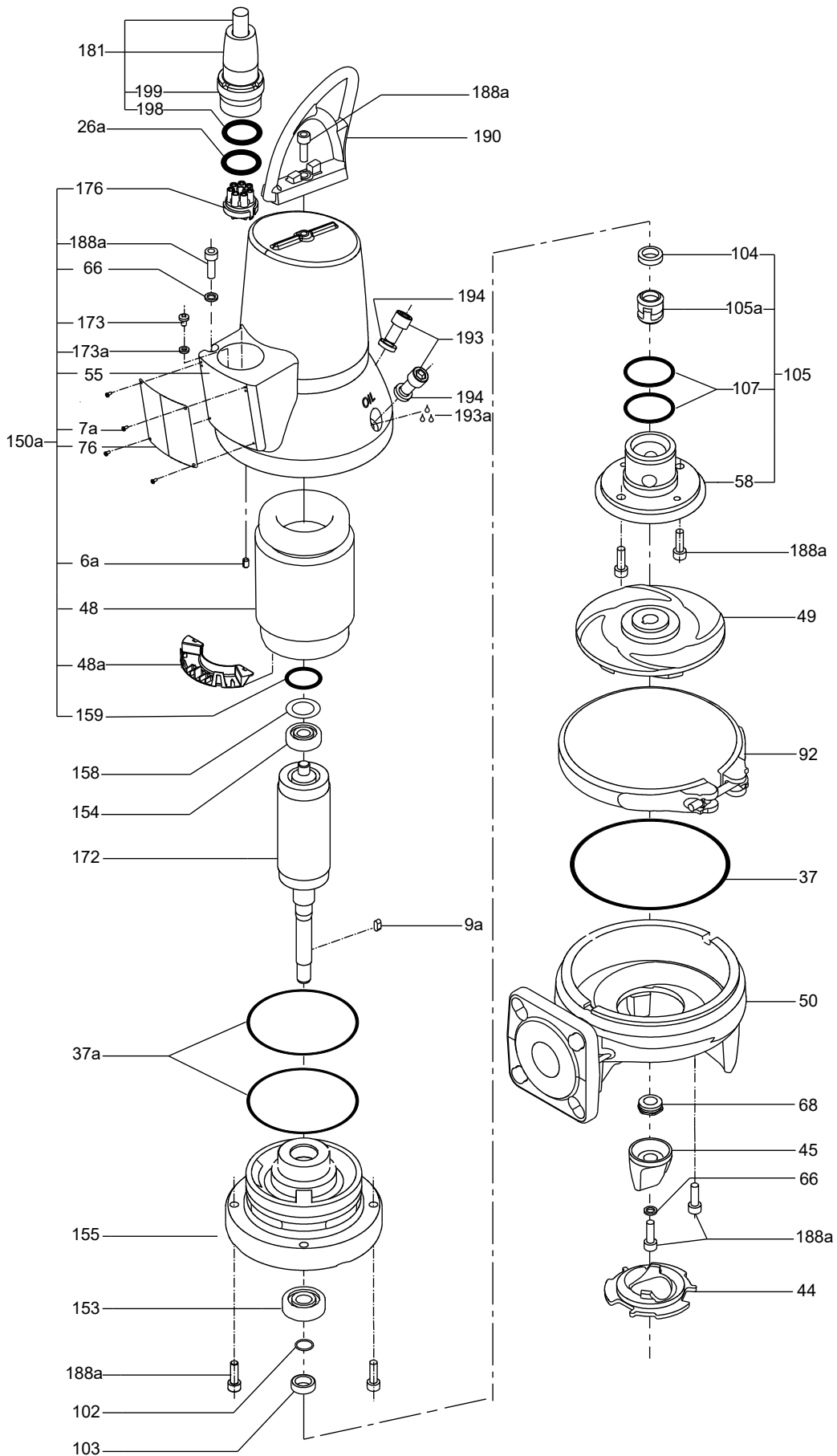
SEG.(K)50 / SEG.20		2.6 kW / 3.0 hp			3.1 - 4.0 kW / 4.0 - 5.5 hp			
Pos.	Description	DIN	380 V	460 V	200-230 V	380 V	460 V	200-230 V
			98451898	98451885	98451879	98451904	98451887	98451880
		US	460 V	575 V	200-230 V	460 V	575 V	200-230 V
			98451885	98451886	98451879	98451887	98451888	98451880
6a	Spring pin		1	1	1	1	1	1
48	Stator		1	1	1	1	1	1
55	Stator housing		1	1	1	1	1	1
159	O-ring NBR	52.0 x 3.0	1	1	1	1	1	1
173	Screw		1	1	1	1	1	1
173a	Lock washer		1	1	1	1	1	1
176	Cable plug		1	1	1	1	1	1
1031	Connector pin		6	6	6	6	6	6
-	Cover against sharp edges		1	1	1	1	1	1

2.6 to 4.0 kW / 3.0 to 5.5 hp



TM065759

Up to 1.5 kW / 2.0 hp



TM065739