

## 45. Mixers and flowmakers

### AMD

AMD.05-08.x.x - AMD.18.x.x - AMD.28.x.x

#### AMD.07.x.x

##### Mounting belt

Pos.	Description/Kit No	96692919
5	Mounting belt	2
6	Mounting device	1
7	Lock nut	2
8	Spring lock washer	2
9	Lock nut	2
11	Screw	2
12	Screw	2
28	Rubber band	1
10	Spring lock washer	2

##### Propeller

Pos.	Description/Kit No	96113478
1	Propeller nut	1
2	Spring washer	1
3	Lock washer	1
4	Propeller	1

##### Shaft seal

Pos.	Description/Kit No	96113477
13	Screws	2
14	O-ring	2
15	Seal cover	1
16	O-ring	2
105	Shaft seal	1
-	Oil	1

### AMD.05-08.x.x model A

##### Cable

Pos.	Description/Kit No	96548100
181	Cable	1

##### Mounting belt

Pos.	Description/Kit No	96692919
5	Mounting belt	2
6	Mounting device	1
7	Lock nut	2
8	Spring lock washer	2
9	Lock nut	2
11	Screw	2
12	Screw	2
28	Rubber band	1
10	Spring lock washer	2

##### Propeller

Pos.	Description/Kit No	AMD.07	AMD.05 AMD.08
		99055190	99055184
1	Propeller nut	1	1
2	Spring washer	1	1
3	Lock washer	1	1
4	Propeller	1	1

##### Service kit

Pos.	Description/Kit No	99055170
-	Oil Shell Ondina X420	1
13	Screw	2
14	O-ring	2
16	O-ring	2
3	Lock washer	1
2	Disc spring	1
15	Sealing parts, cap	1
105	Shaft seal complete	1

**AMD.18.x.x - AMD.28.x.x****Bearing, motor**

Pos.	Description/Kit No	95065458
34	Ball bearing 6206 2RS	1
47	Ball bearing 6207 2RS	1

**Cable entry, 1.5 mm<sup>2</sup>**

Pos.	Description/Kit No	95065457
15	O-ring 113.97 x 2.62	1
22	Cable entry (rubber) small	1
23	O-ring 37.82 x 1.78	1
24	Thrust washer	1
25	Cable entry (rubber) large	1
26	Cable guide	1
59	Press connection (cable)	6
60	Press connection (signal)	4
	Shrink tube for connections	10
61	Cable relief	1
63	Cable shoe	1

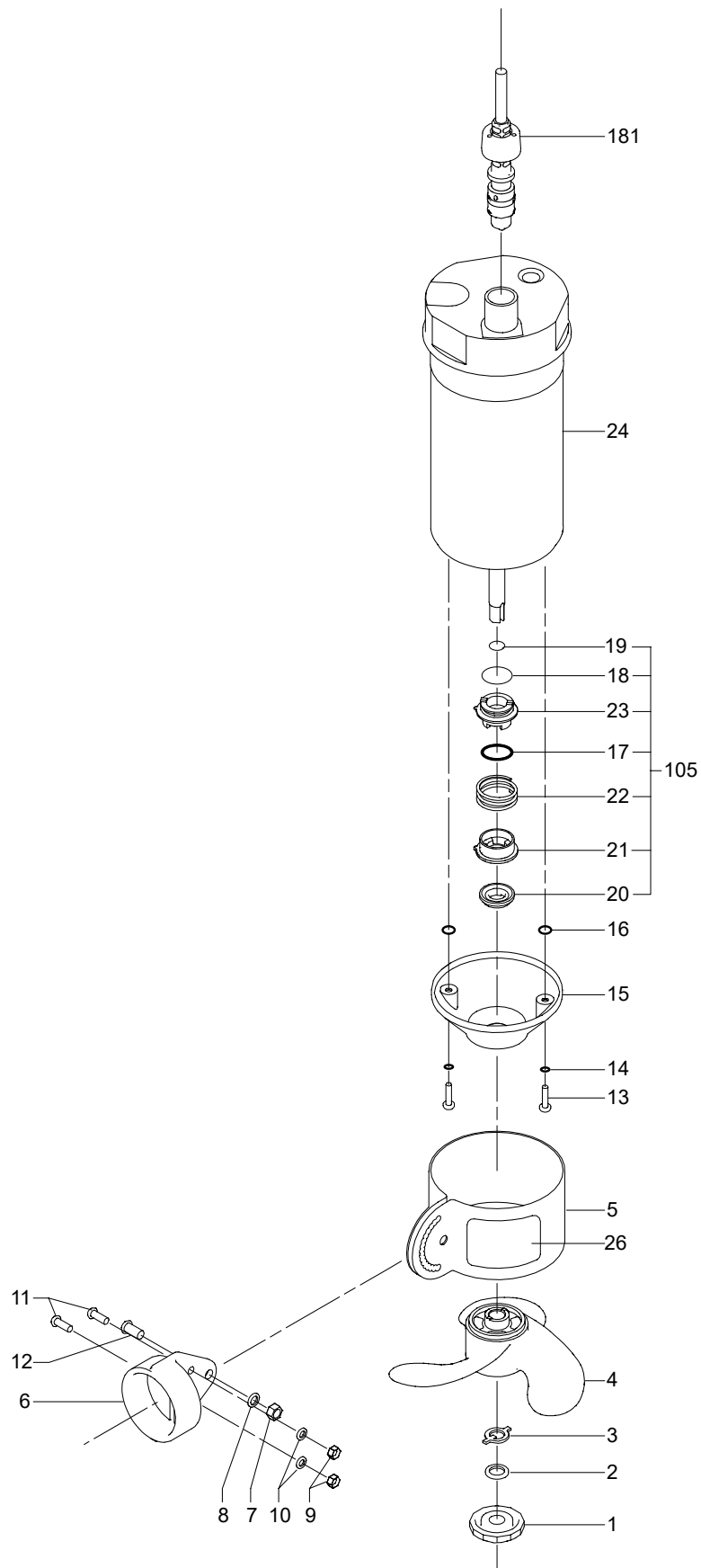
**Gasket kit, motor**

Pos.	Description/Kit No	95065455
12	O-ring 158.42 x 2.62	2
15	O-ring 113.97 x 2.62	1
22	Cable entry (rubber) small	1
23	O-ring 37.82 x 1.78	1
25	Cable entry (rubber) large	1
32	O-ring 63.22 x 1.78	1
45	O-ring 21.95 x 1.78	1
46	Lip seal 62 x 32 x 8	1
48	Lip seal 72 x 40 x 7	1
	O-ring 85.0 x 2.5	1

**Shaft seal**

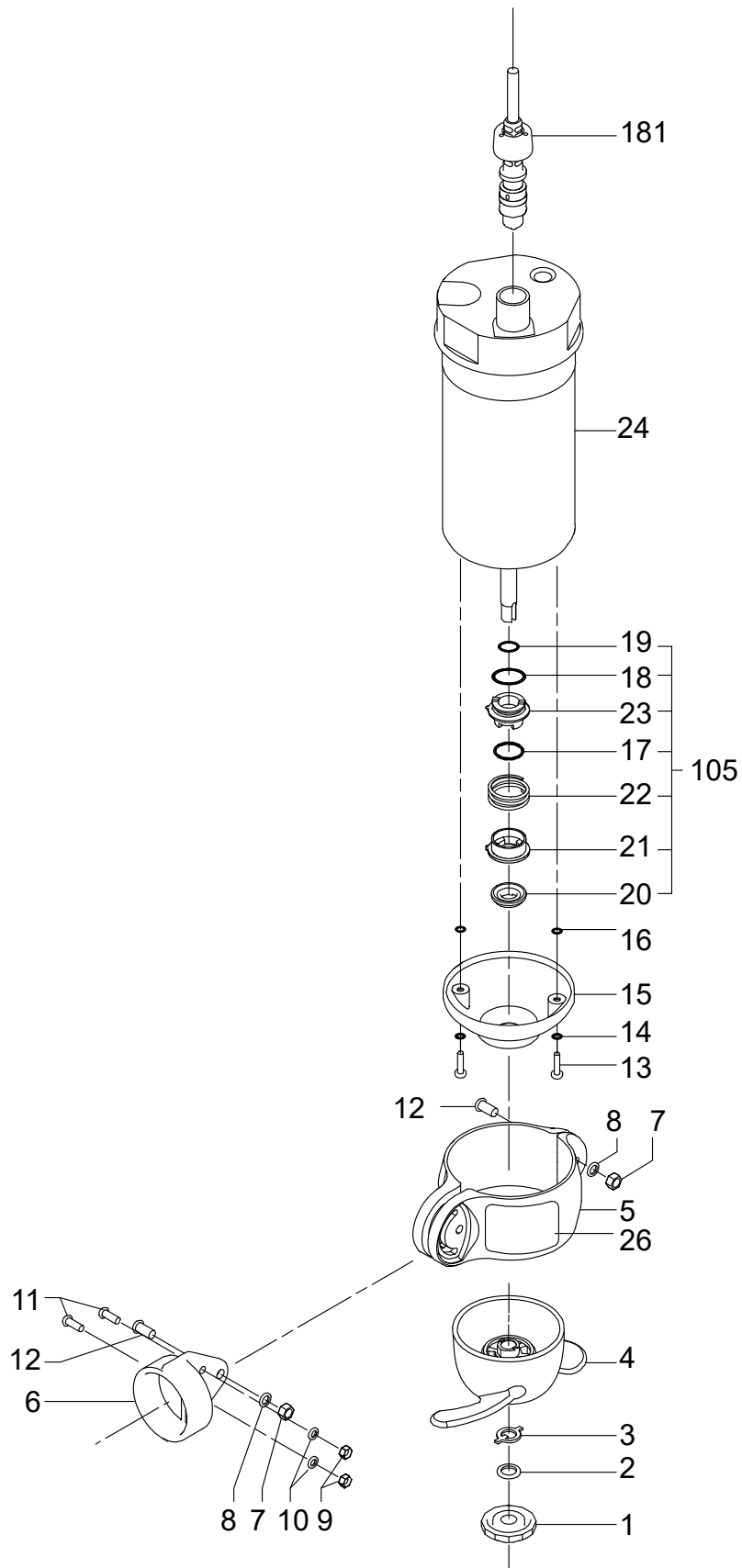
Pos.	Description/Kit No	95035813
8	Shaft seal	1

AMD.07.x.x



TM028013

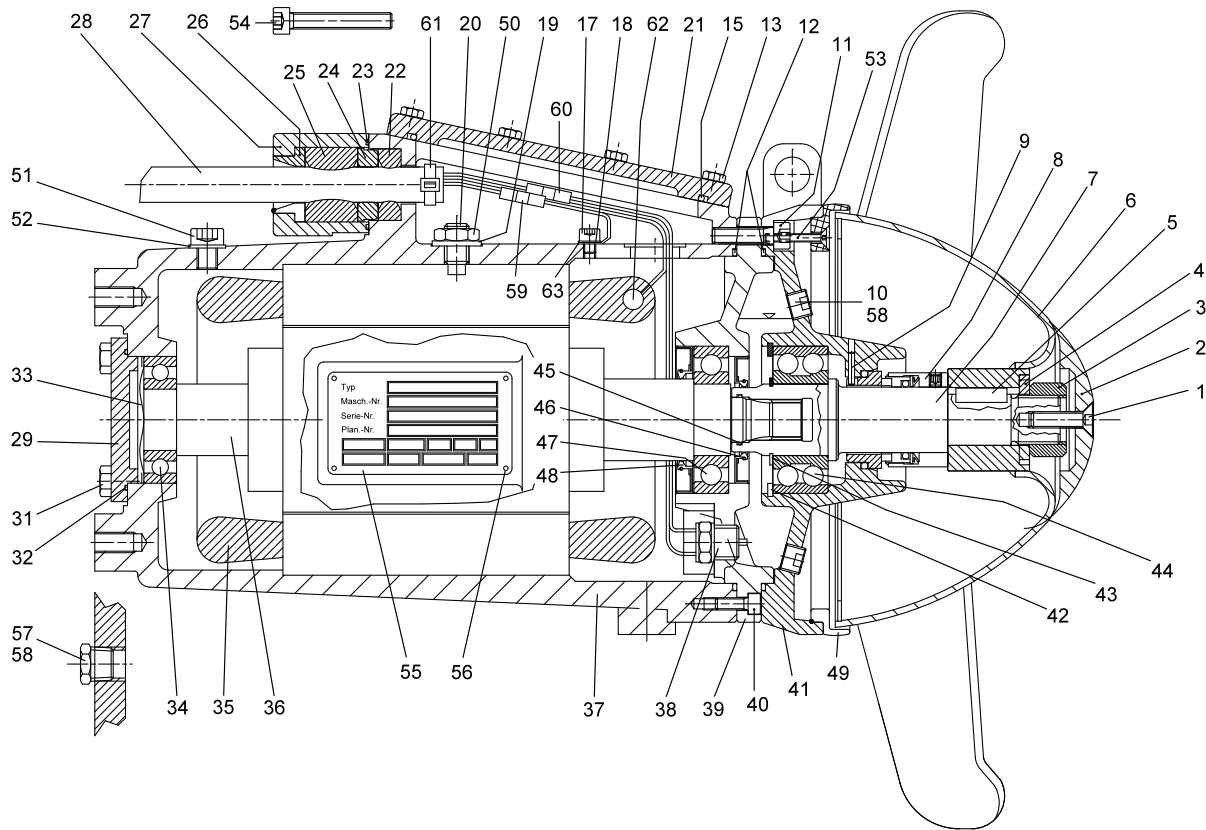
AMD.05-08.x.x model A



TM066353



AMD.18.x.x - AMD.28.x.x



TMO35485

**AMD.15-45 (50/60 Hz) and AMD.34-55 (60 Hz North America)****Cable entry, 1.5 mm<sup>2</sup>**

Pos.	Description/Kit No	95065449
1002	Cable flange	1
1003	Cable guide	1
1004	cable seal large	1
1005	Thrust washer	1
1006	cable seal small	1
1007	O-ring 37.8 x 1.78	1
1008	Hexagon socket head cap screw	4
1010	Hexagon socket head cap screw	2
1011	Lock washer	2
1014	Lock washer	4
1015	Cable clamp	1
1028	Hexagon socket head cap screw	1
1029	Lock washer	1
1030	Cable shoe	1
1125	O-ring 158.0 x 4.0	1
1177	Cable joint	10
1178	Shrink tube for connections	10

**Cable entry, 1.5 mm<sup>2</sup>, Ex version**

(and for guide flange 100/100)

Pos.	Description/Kit No	95065450
1002	Cable flange	1
1003	Cable guide	1
1004	cable seal large	1
1005	Thrust washer	1
1006	cable seal small	1
1008	Hexagon socket head cap screw	3
1010	Countersunk screw	2
1011	Lock washer	2
1012	Lock nut	2
1014	Lock washer	3
1015	Cable clamp	1
1028	Hexagon socket head cap screw	1
1029	Lock washer	1
1030	Cable shoe	1
1125	O-ring 158.0 x 4.0	1
1172	Distance plate	1
1177	Cable joint	10
1178	Shrink tube for connections	10
1179	Cable joint	11
1180	Shrink tube for connections	11

**Gasket kit, standard and Ex version (50 Hz only)**

Pos.	Description/Kit No	95065448
1007	O-ring 37.8 x 1.78	1
1022	O-ring 192.0 x 4.0	1
1056	Seal washer 74.0 x 3.0	1
1071	O-ring	1
1109	Hub cover ELS	1
1111	Countersunk screw	1
1125	O-ring 158.0 x 4.0	1
1142	O-ring 138.0 x 3.0	1
1143	O-ring 192.0 x 4.0	1

**Shaft seal, outer, standard and Ex version (50 Hz only)**

Model 1 and 2, new sealing system

Pos.	Description/Kit No	95037572
1098	Mechanical shaft seal	1
1146	Protection ring ELS	1
1168	O-ring	1
1169	Lip seal	1
1170	V-ring	1
1171	INA ring	1

**Shaft seal, outer (50 Hz only)**

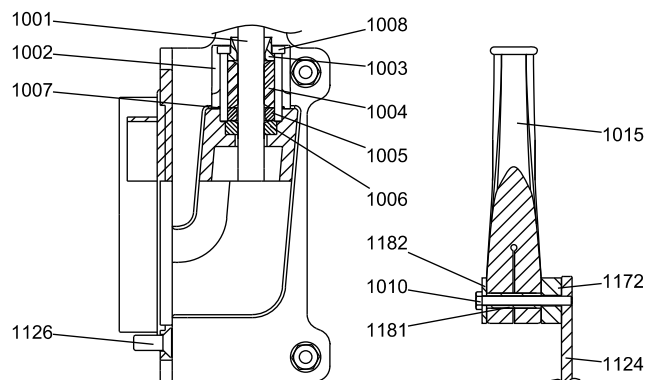
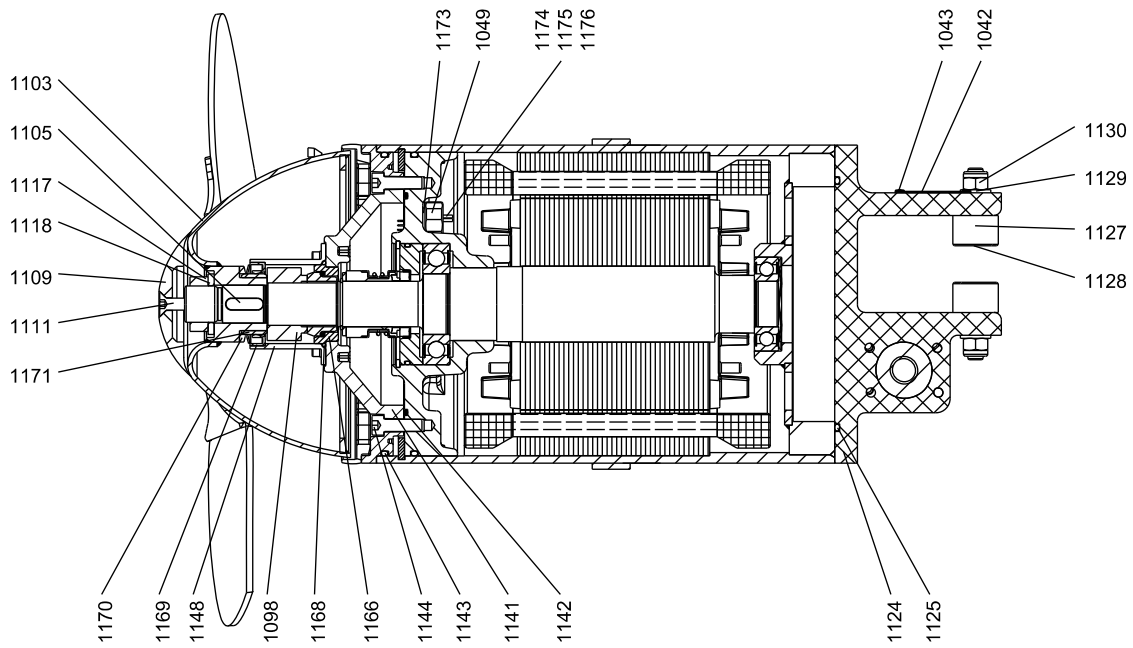
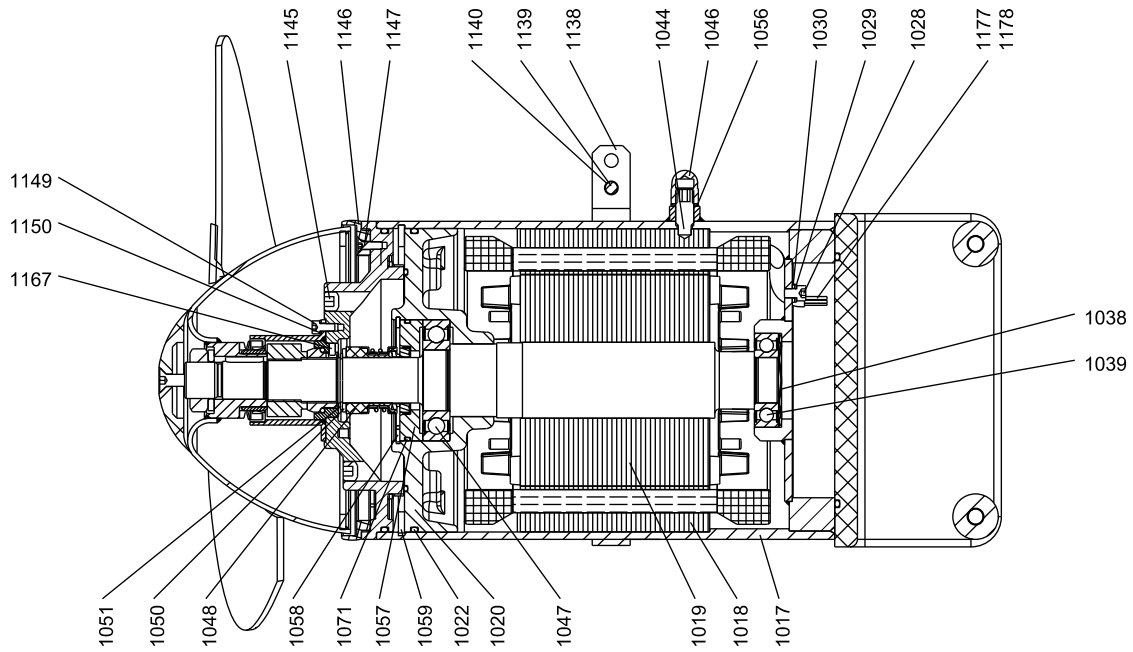
Model 0, old sealing system

Pos.	Description/Kit No	95065454
1098	Mechanical shaft seal	1
1146	Protection ring	1
1148	Protection sleeve	1
1149	Hexagon socket head cap screw	3
1150	Lock washer	3

**Shaft seal, inner**

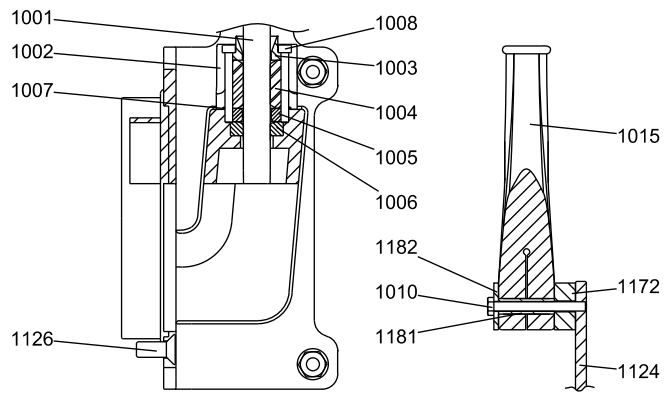
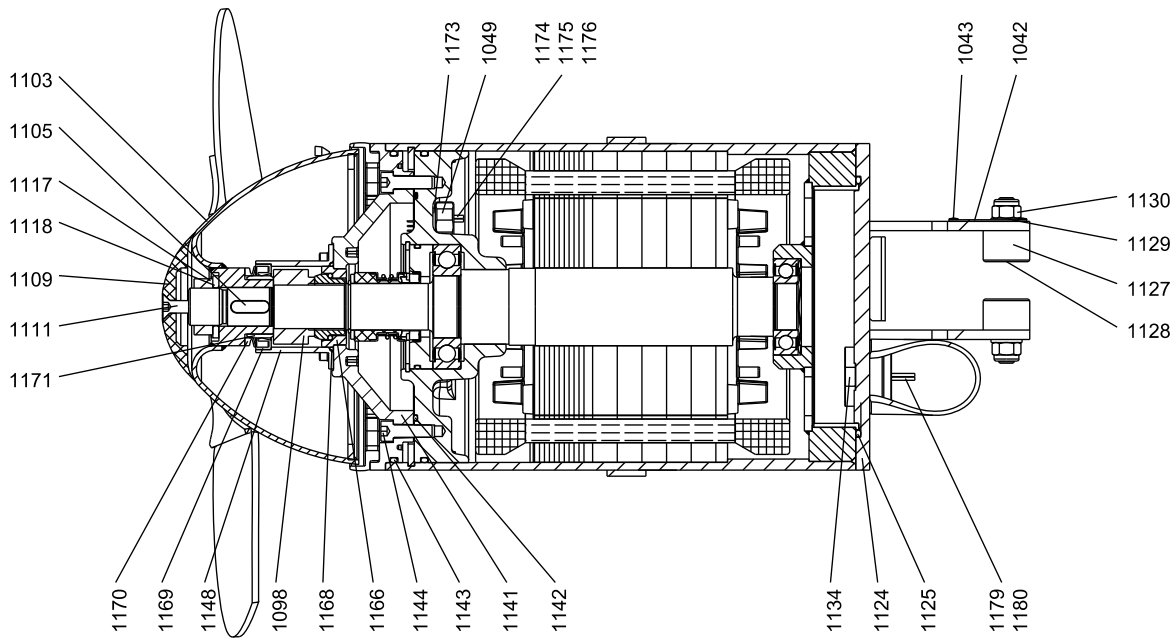
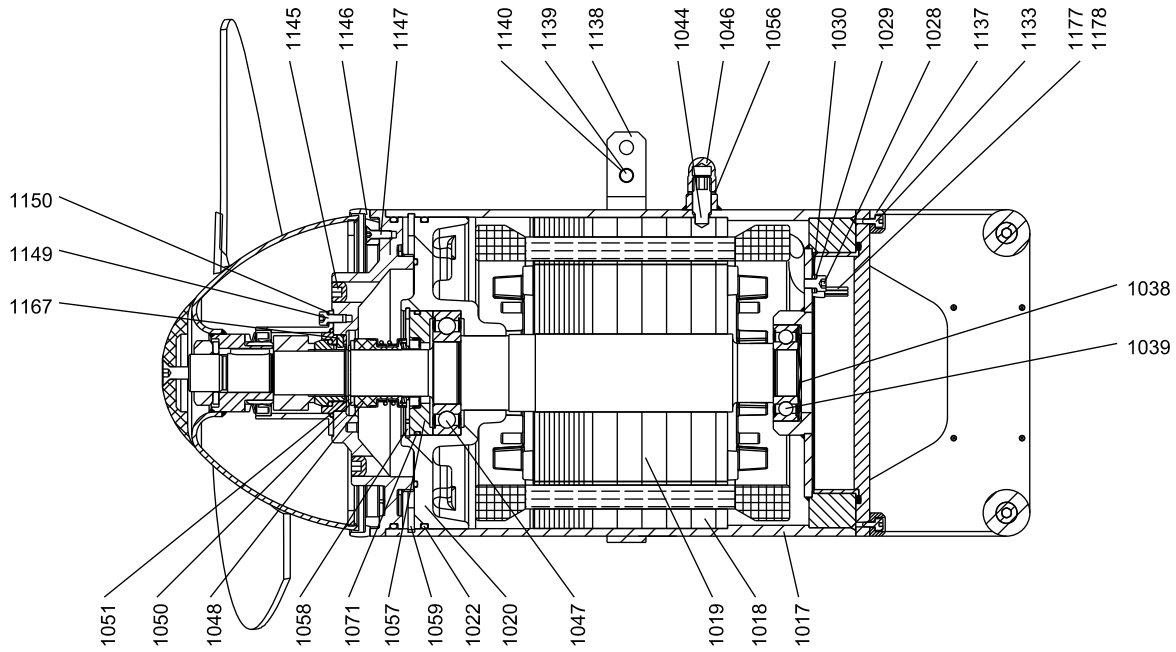
Pos.	Description/Kit No	95065452
1048	Mechanical shaft seal (motor)	1
1050	Shim	1
1051	Retaining ring	1
1142	O-ring 138.0 x 3.0	1
1143	O-ring 192.0 x 4.0	1

AMD.xx.45.xx non-ATEX



TM030031

AMD.xx.45.xxx.Ex



TM037506

**Bearing**

Pos.	Description/Kit No	95065451
1038	Compensation disc	1
1039	Ball bearing 6206 2RS	1
1047	Ball bearing 6207 2RS	1

**Cable, 10 m (12 x 1.5 mm<sup>2</sup> Ø17.3)**

Pos.	Description/Kit No	95038410
1001	Cable 12x1.5 mm <sup>2</sup> Ø17.3	10 m /30 ft
1030	Cable shoe 1.5 mm <sup>2</sup> /M6	1
1177	Cable joint 1.5 mm <sup>2</sup>	10

**Cable ,15 m (12 x 1.5 mm<sup>2</sup> Ø17.3)**

Pos.	Description/Kit No	95038411
1001	Cable 12x1.5 mm <sup>2</sup> Ø17.3	15 m /50 ft
1030	Cable shoe 1.5 mm <sup>2</sup> /M6	1
1177	Cable joint 1.5 mm <sup>2</sup>	10

**Cable, 25 m (12 x 1.5 mm<sup>2</sup> Ø17.3)**

Pos.	Description/Kit No	95038412
1001	Cable 12x1.5 mm <sup>2</sup> Ø17.3	25 m /80 ft
1030	Cable shoe 1.5 mm <sup>2</sup> /M6	1
1177	Cable joint 1.5 mm <sup>2</sup>	10

**Guide flange kit 60/60 SS cast**

Pos.	Description/Kit No	95039395
1002	Cable flange AMD	1
1007	O-ring 37.82x1.78	1
1008	Cylinder head screw M5 x 45	4
1010	Hexagon head screw M6 x 55	2
1015	Bend protection D17	1
1124	Guide flange 60/60 SS cast	1
1125	O-ring 158.0 x 4.0	1
1126	Countersunk screw M10 x 25	8
1127	Guide roller Ø30 x 20	4
1128	Countersunk screw M10 x 40	4
1129	Washer Ø10.5/20 x 2	4
1130	Lock nut M10	4
1133	Cylinder head screw M5 x 10	4
1134	Grommet <sup>87)</sup> Ø33.3 x 11.5	1
1137	Guide plate 60/60 AMD 54 x 10 x 40	2
1172	Distance plate AMD 45 x 30 x 13.5	1
1181	Distance bush f. bend protection Ø10/6.4 x 30	2
1182	Distance plate f. bend protection 50 x 30 x 3	1

<sup>87)</sup>For non-ATEX version only

**Guide flange 100/100, AISI 316**

Pos.	Description/Kit No	95038626
1124	Guide flange	1
1125	O-ring 158.0 x 4.0	1
1126	Countersunk screw M10 x 25	8
1127	Guide roller Ø30 x 20	4
1128	Countersunk screw M10 x 40	4
1129	Washer Ø10.5/20x2	4
1130	Lock nut M10	4
1133	Hexagon socket head cap screw M5 x 8	4
1137	Guide plate 100/100 15x10x94	2

**Guide flange 100/100, AISI 316, Ex version**

Pos.	Description/Kit No	95038627
1124	Guide flange	1
1125	O-ring	1
1126	Countersunk screw	8
1127	Guide roller	4
1128	Countersunk screw	4
1129	Washer	4
1130	Lock nut	4
1133	Hexagon socket head cap screw	4
1137	Guide plate	2

**Mounting kit, AMD**

Pos.	Description/Kit No	95038630
1138	Lifting bracket	1
1139	Hexagon socket head cap screw	1
1140	Lock nut	1

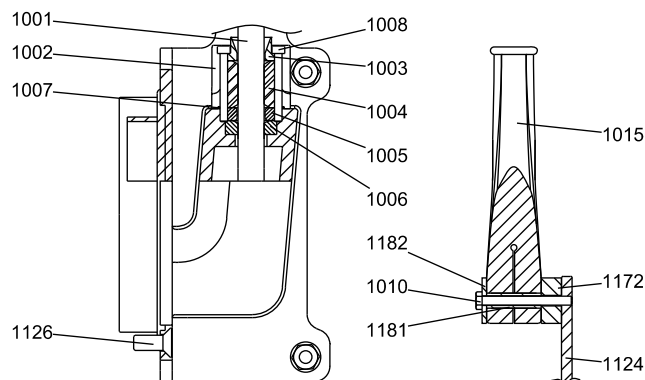
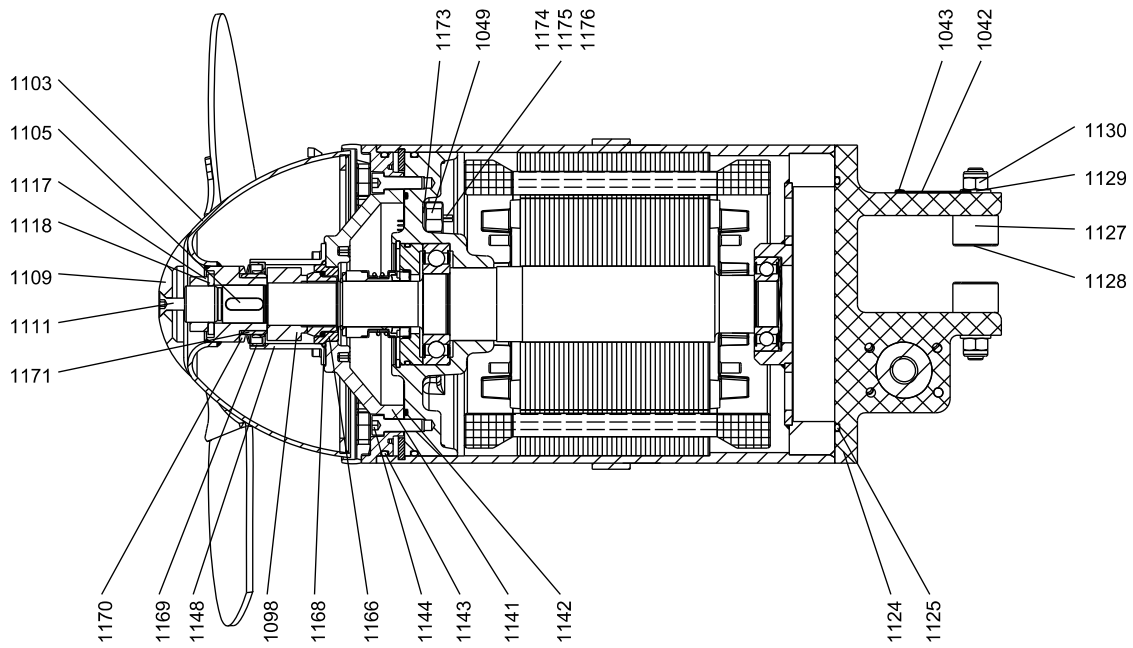
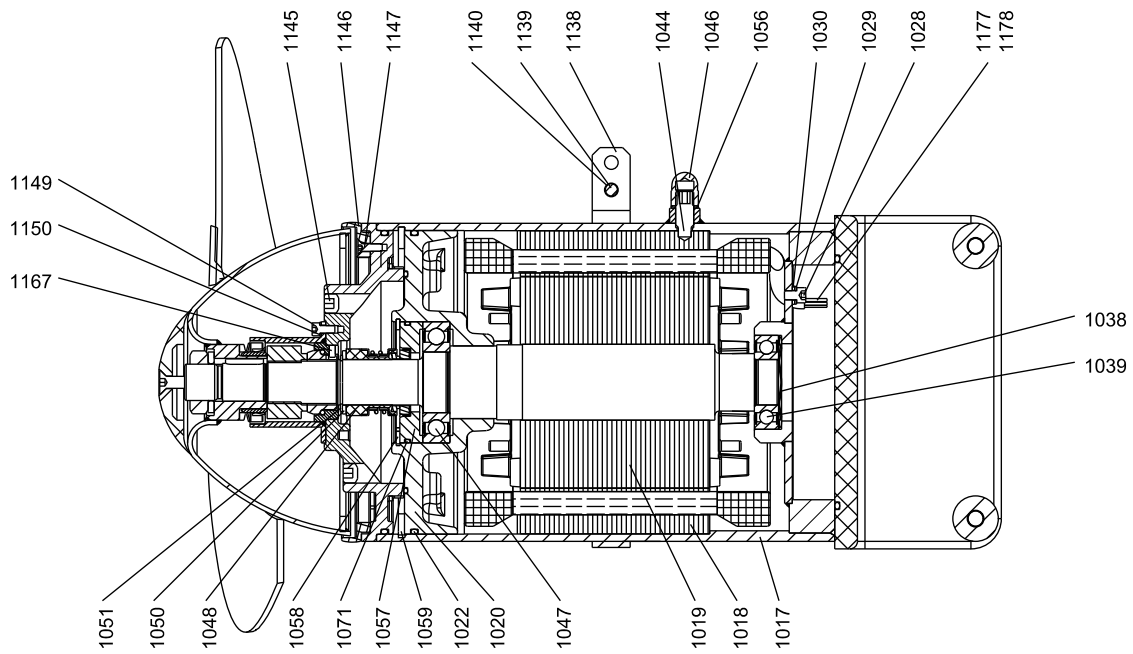
**Sealing flange kit, AMD, SS cast**

Pos.	Description/Kit No	95038760
1141	Sealing flange AMD SS cast	1
1142	O-ring 138.0 x 3.0	1
1143	O-ring 192.0 x 4.0	1
1145	Plug 1/4" Gas	2

**Water-in-oil sensor**

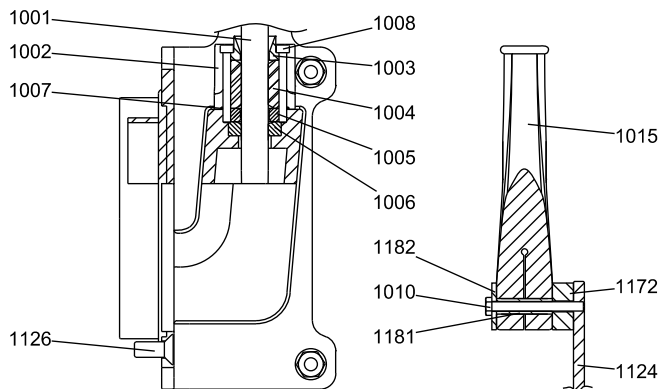
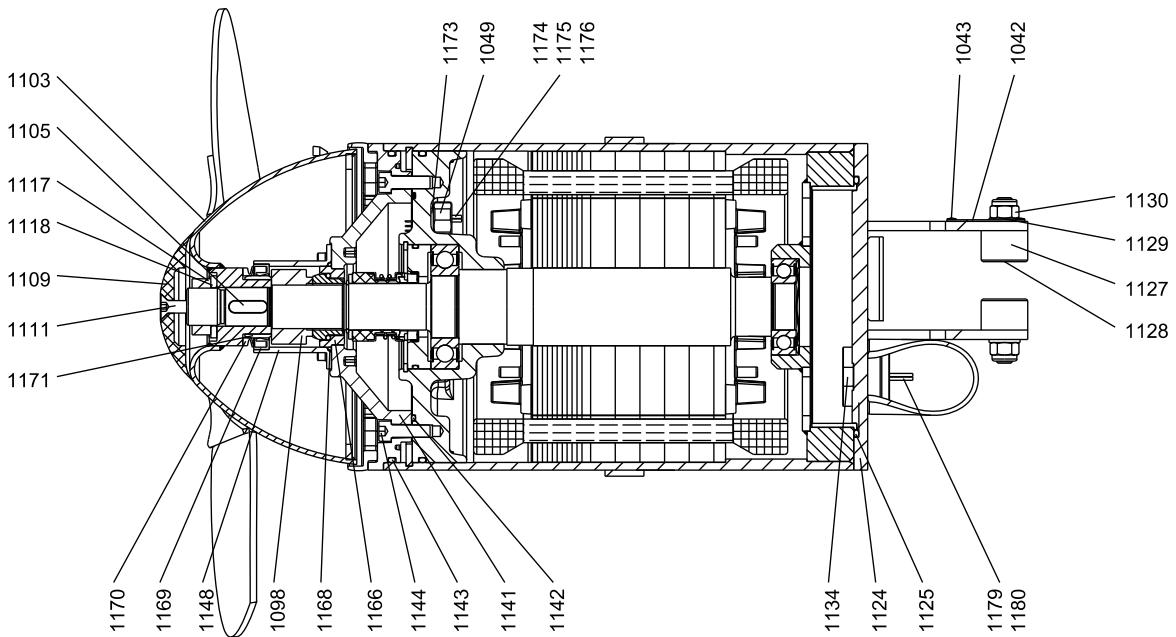
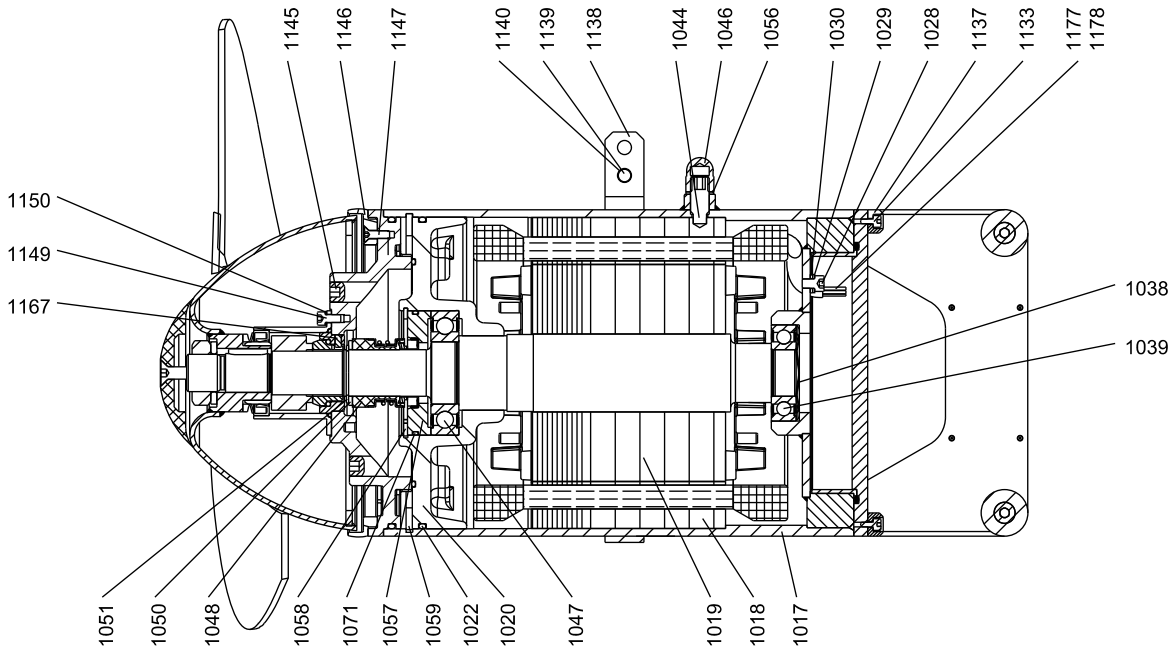
Pos.	Description/Kit No	95038409
1049	Water-in-oil sensor	1
1173	Seal washer	1

AMD.xx.45.xxx non-ATEX



TM030031

AMD.xx.45.xxx.Ex



TM037506

**Gasket kit, with propeller 10 °****Note:** Upgrade kit, old to new sealing system

AMD.15-20 50 Hz (standard and Ex)

AMD.25-30 60 Hz (standard)

AMD.34-40 60 Hz US (standard)

Pos.	Description/Kit No	95037482
1098	Mechanical shaft seal	1
1103	Propeller	1
1141	Sealing flange AMD SS cast	1
1142	O-ring	1
1143	O-ring	1
1146	Protection ring ELS	1
1148	Protection sleeve	1
1149	Hexagon socket head cap screw	3
1150	Lock washer	3
1168	O-ring	1
1169	Lip seal	1
1170	V-ring	1

**Gasket kit, with propeller 12 °****Note:** Upgrade kit, old to new sealing system

AMD.25-30 50 Hz (standard and Ex)

AMD.35-40 60 Hz (standard)

AMD.47-55 60 Hz US (standard)

Pos.	Description/Kit No	95037483
1098	Mechanical shaft seal	1
1103	Propeller	1
1141	Sealing flange AMD SS cast	1
1142	O-ring	1
1143	O-ring	1
1146	Protection ring ELS	1
1148	Protection sleeve	1
1149	Hexagon socket head cap screw	3
1150	Lock washer	3
1168	O-ring	1
1169	Lip seal	1
1170	V-ring	1

**Gasket kit, with propeller 14 °****Note:** Upgrade kit, old to new sealing system.

AMD.35-40 50 Hz (standard and Ex)

Pos.	Description/Kit No	95037484
1098	Mechanical shaft seal	1
1103	Propeller	1
1141	Sealing flange AMD SS cast	1
1142	O-ring	1
1143	O-ring	1
1146	Protection ring ELS	1
1148	Protection sleeve	1
1149	Hexagon socket head cap screw	3
1150	Lock washer	3
1168	O-ring	1
1169	Lip seal	1
1170	V-ring	1

**Gasket kit, with propeller 16 °****Note:** Upgrade kit, old to new sealing system.

AMD.45 50 Hz (standard and Ex)

Pos.	Description/Kit No	95037485
1098	Mechanical shaft seal	1
1103	Propeller	1
1141	Sealing flange AMD SS cast	1
1142	O-ring	1
1143	O-ring	1
1146	Protection ring ELS	1
1148	Protection sleeve	1
1149	Hexagon socket head cap screw	3
1150	Lock washer	3
1168	O-ring	1
1169	Lip seal	1
1170	V-ring	1

**Propeller, 10 ° AISI 316**

AMD.15-20 50 Hz (standard and Ex)

AMD.25-30 60 Hz (standard)

AMD.34-40 60 Hz US (standard)

Pos.	Description/Kit No	95038616
1103	Propeller	1
1105	Parallel key	1
1109	Hub cover ELS	1
1111	Countersunk screw	1
1117	Nut	1
1118	Lock washer	1
1171	INA ring	1

**Propeller, 12 ° AISI 316**

AMD.25-30 50 Hz (standard and Ex)

AMD.25-30 60 Hz (standard)

AMD.35-40 60 Hz US (standard)

Pos.	Description/Kit No	95038617
1103	Propeller	1
1105	Parallel key	1
1109	Hub cover ELS	1
1111	Countersunk screw	1
1117	Nut	1
1118	Lock washer	1
1171	INA ring	1

**Propeller, 14 ° AISI 316**

AMD.35-40 50 Hz

Pos.	Description/Kit No	95038618
1103	Propeller	1
1105	Parallel key	1
1109	Hub cover ELS	1
1111	Countersunk screw	1
1117	Nut	1
1118	Lock washer	1
1171	INA ring	1

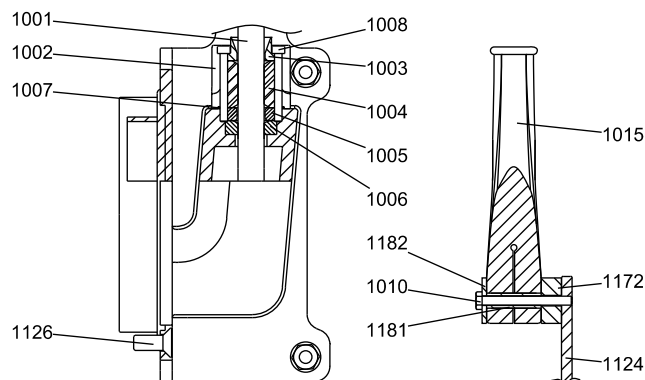
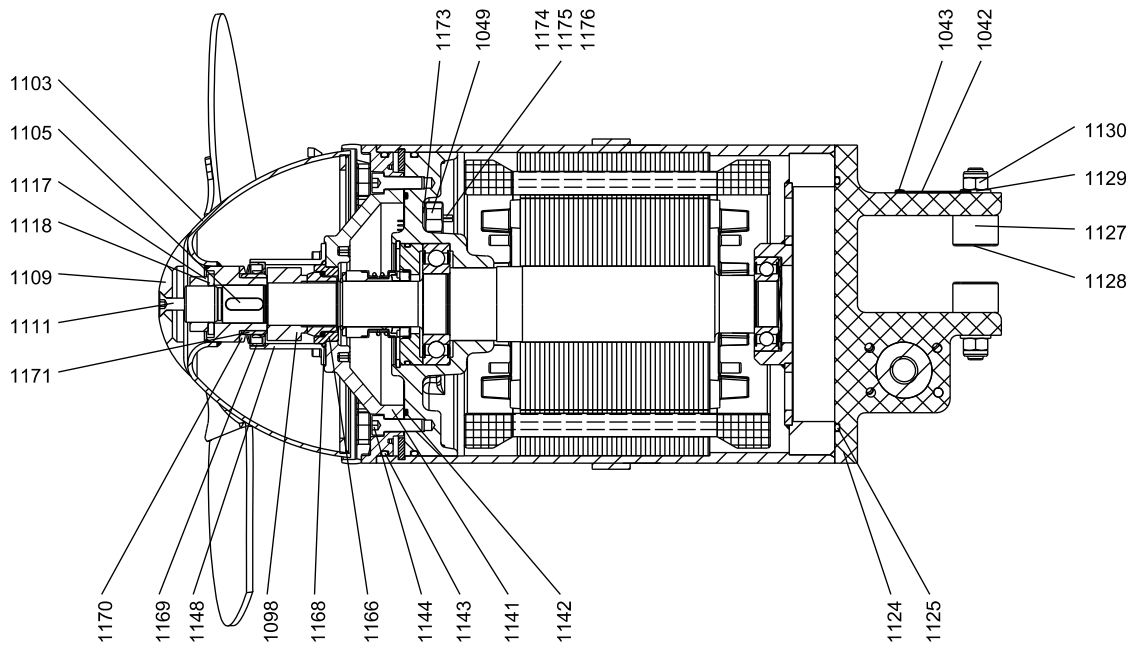
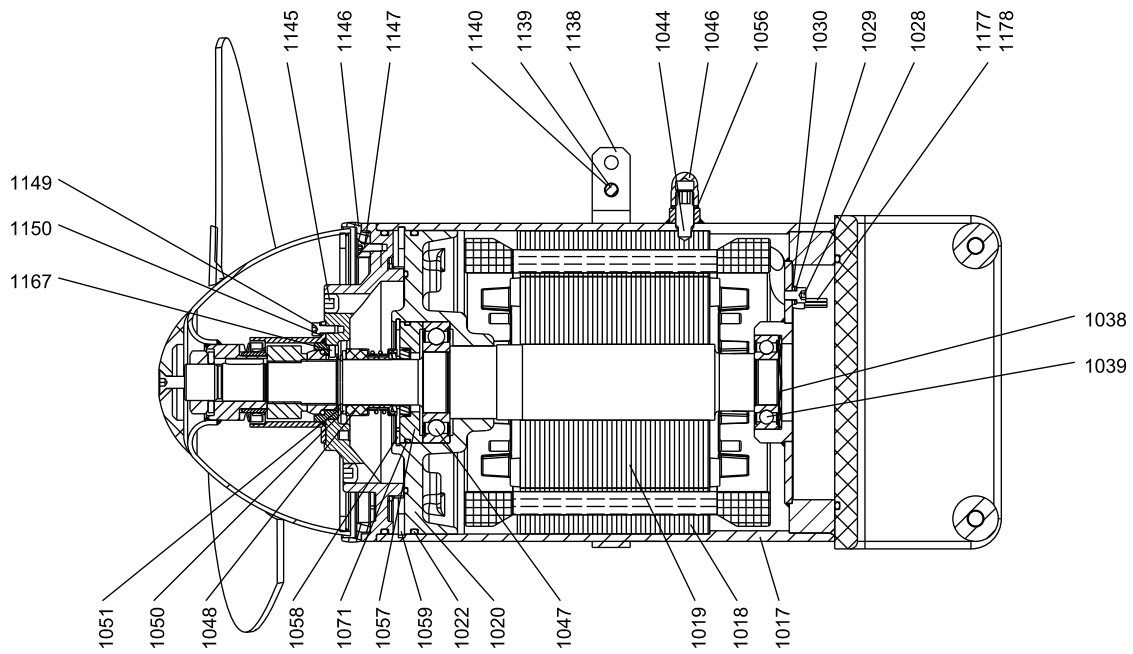


**Propeller, 16 ° AISI 316**

AMD.45 50 Hz

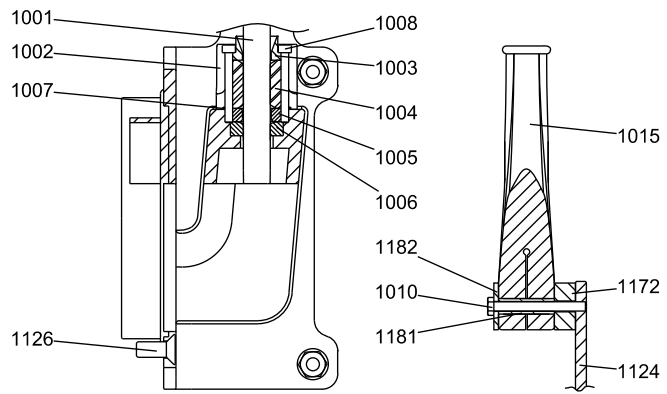
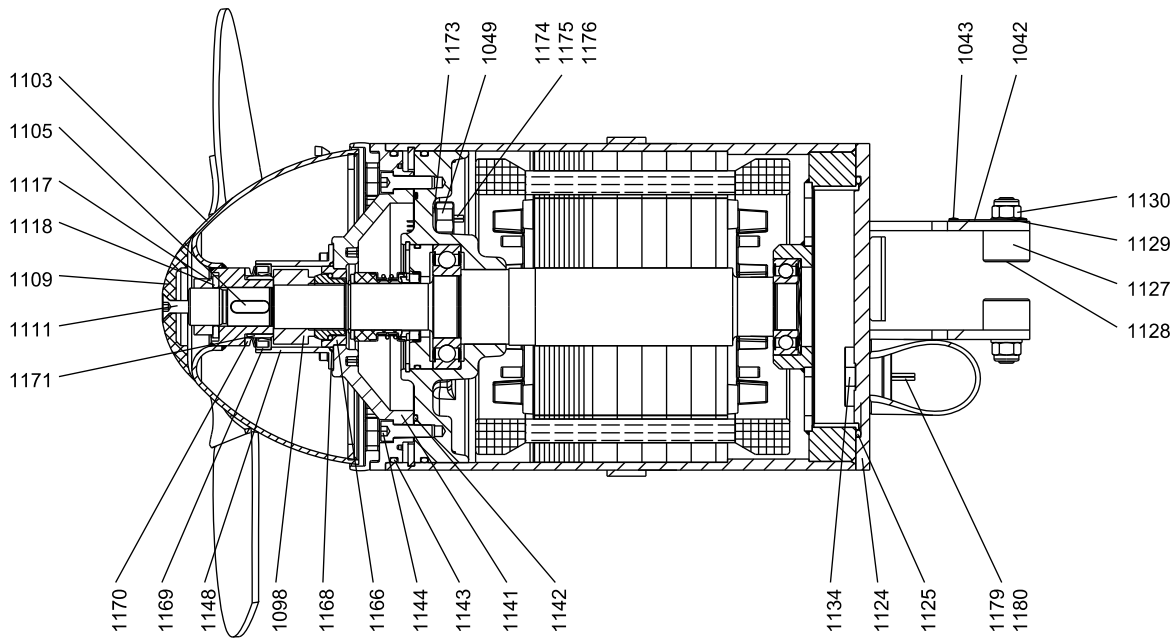
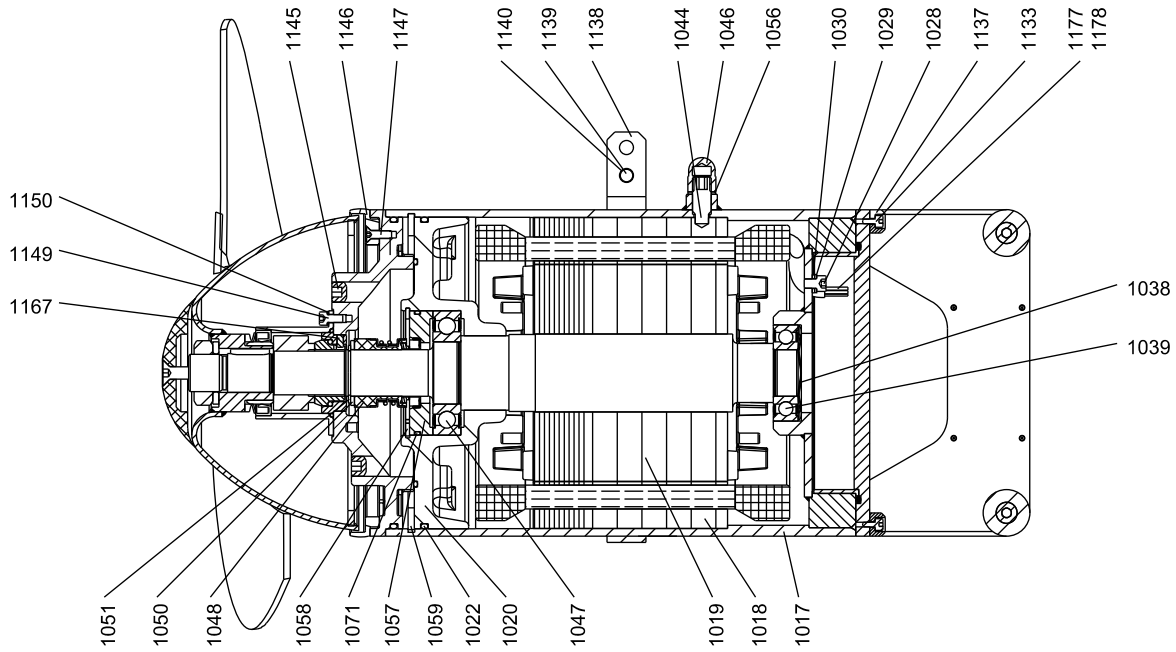
Pos.	Description/Kit No	95038619
1103	Propeller	1
1105	Parallel key	1
1109	Hub cover ELS	1
1111	Countersunk screw	1
1117	Nut	1
1118	Lock washer	1
1171	INA ring	1

AMD.xx.45.xxx non-ATEX



TM030031

AMD.xx.45.xxx.Ex



TM037506

**Motor, 8-pole 2.5 kW / 3.4 Hp**

AMD.15-25 50 Hz, AMD.25 60 Hz, AMD.34 60 Hz US

Pos.	Description/Kit No	95038620
1017	Motor housing	1
1018	Stator	1
1019	Rotor with shaft	1
1020	Motor flange	1
1022	O-ring	1
1038	Compensation disc	1
1039	Ball bearing	1
1044	Set screw	1
1046	Nut	1
1047	Ball bearing	1
1049	Water-in-oil sensor	1
1056	Seal washer	1
1057	Intermediate ring	1
1058	Retaining ring	1
1059	Retaining ring	1
1071	O-ring	1
1173	Seal washer	1
1174	Cable joint	2
1175	Cable joint	2
1176	Shrink tube for connections	2

**Motor, 8-pole 4.5 kW / 6.0 Hp**

AMD.30-45 50 Hz, AMD.30-40 60 Hz, AMD.40-55 60 Hz US

Pos.	Description/Kit No	95038621
1017	Motor housing	1
1018	Stator	1
1019	Rotor with shaft	1
1020	Motor flange	1
1022	O-ring	1
1038	Compensation disc	1
1039	Ball bearing	1
1044	Set screw	1
1046	Nut	1
1047	Ball bearing	1
1049	Water-in-oil sensor	1
1056	Seal washer	1
1057	Intermediate ring	1
1058	Retaining ring	1
1059	Retaining ring	1
1071	O-ring	1
1173	Seal washer	1
1174	Cable joint	2
1175	Cable joint	2
1176	Shrink tube for connections	2

**Motor, 8-pole 2.5 kW, Ex version**

AMD.15-25 50 Hz (50 Hz Only)

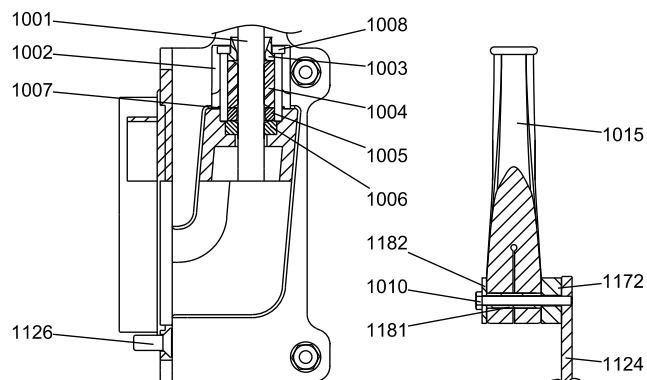
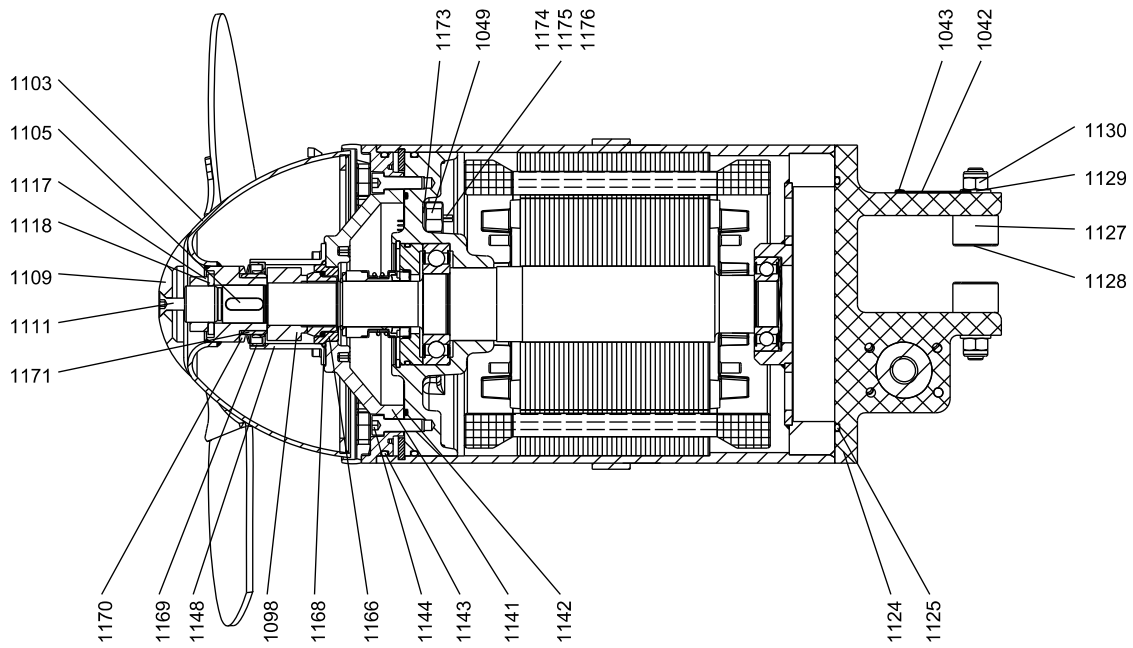
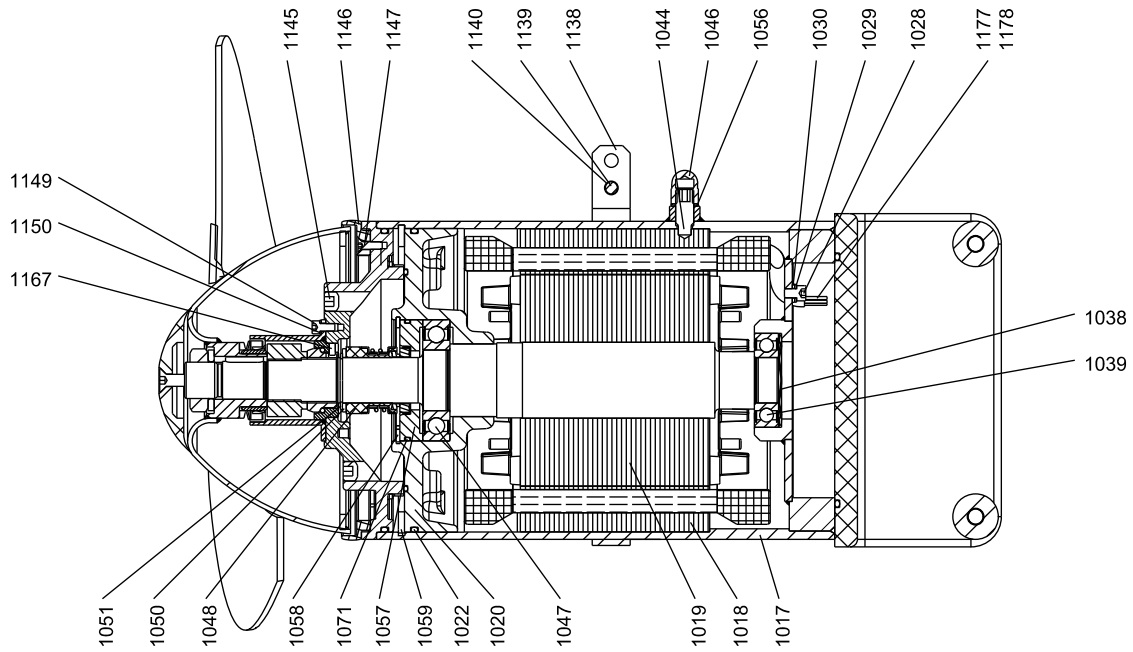
Pos.	Description/Kit No	95038622
1017	Motor housing	1
1018	Stator	1
1019	Rotor with shaft	1
1020	Motor flange	1
1022	O-ring	1
1038	Compensation disc	1
1039	Ball bearing	1
1044	Set screw	1
1046	Nut	1
1047	Ball bearing	1
1049	Water-in-oil sensor	1
1056	Seal washer	1
1057	Intermediate ring	1
1058	Retaining ring	1
1059	Retaining ring	1
1071	O-ring	1
1173	Seal washer	1
1174	Cable joint	2
1175	Cable joint	2
1176	Shrink tube for connections	2

**Motor, 8-pole 4.5 kW, Ex version**

AMD.30-45 50 Hz (50 Hz Only)

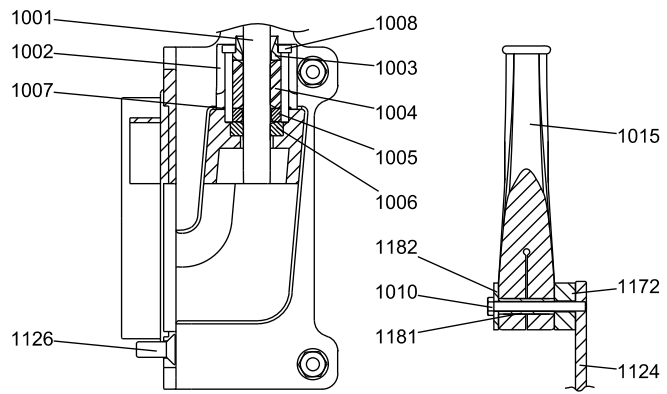
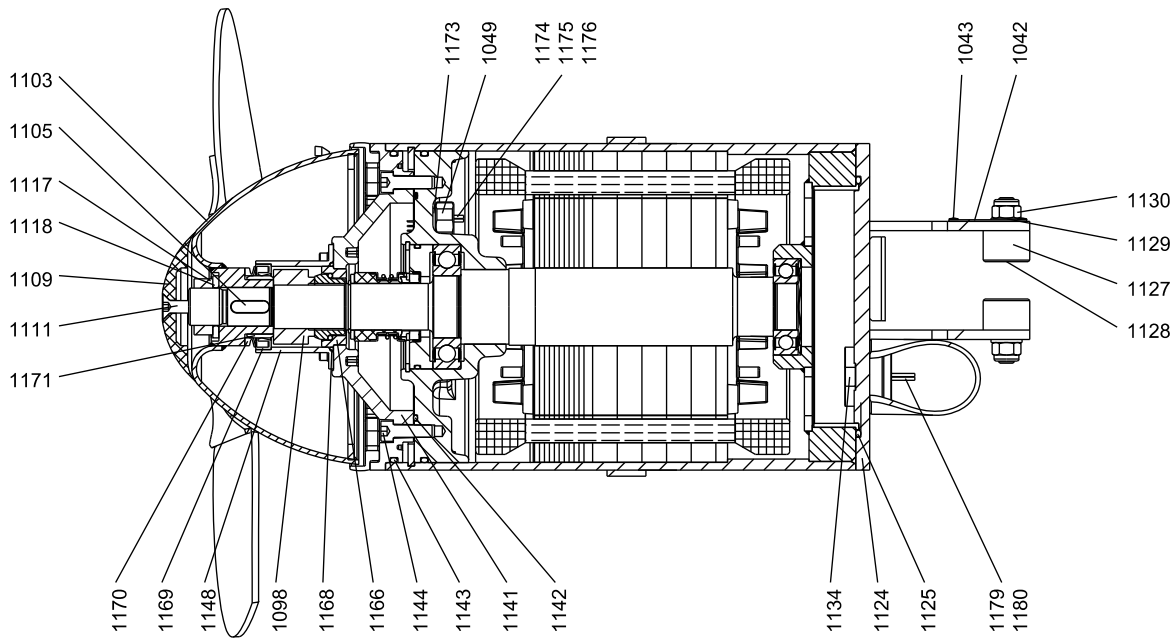
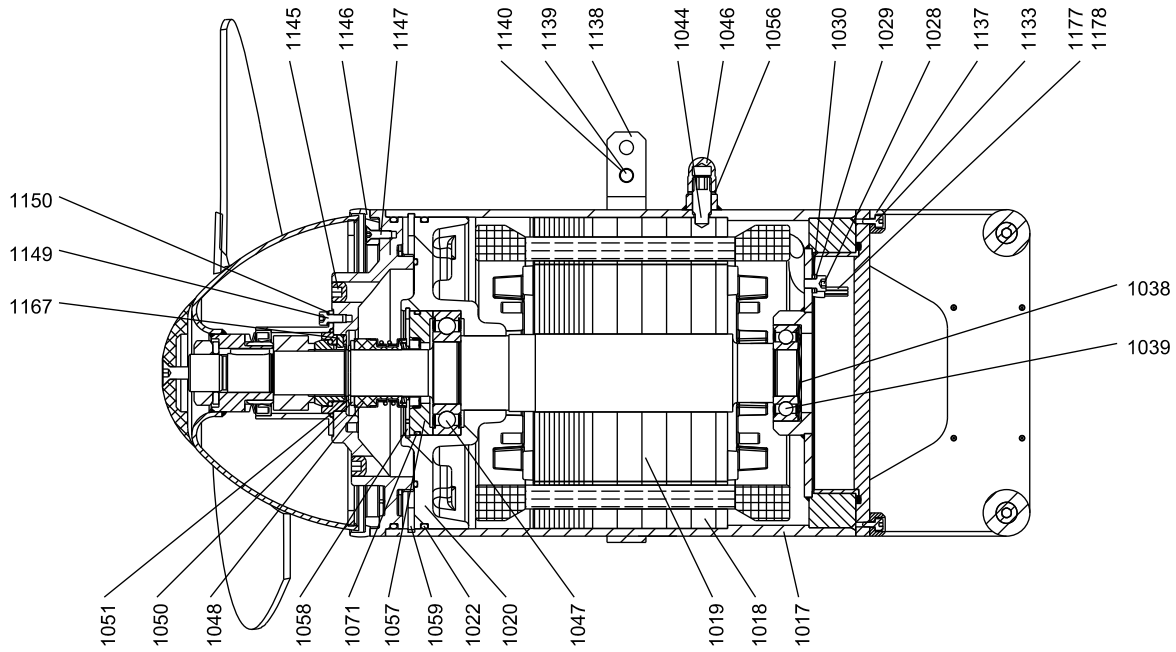
Pos.	Description/Kit No	95038623
1017	Motor housing	1
1018	Stator	1
1019	Rotor with shaft	1
1020	Motor flange	1
1022	O-ring	1
1038	Compensation disc	1
1039	Ball bearing	1
1044	Set screw	1
1046	Nut	1
1047	Ball bearing	1
1049	Water-in-oil sensor	1
1056	Seal washer	1
1057	Intermediate ring	1
1058	Retaining ring	1
1059	Retaining ring	1
1071	O-ring	1
1173	Seal washer	1
1174	Cable joint	2
1175	Cable joint	2
1176	Shrink tube for connections	2

AMD.xx.45.xxx non-ATEX



TM030031

AMD.xx.45.xxx.Ex



TM037506

**AMG****AMG.15-40 (50/60 Hz) and AMG.20-50 (60 Hz North America)****Bearing, motor**

Pos.	Description/Kit No	95065458
1038	Compensation disc	1
1039	Ball bearing 6206 2RS	1
1047	Ball bearing 6207 2RS	1

**Bearing, gearbox**

Pos.	Description/Kit No	95065459
1090	Slotted nut	1
1091	Lock washer	1
1092	Tapered roller bearing 30207	1
1094	Tapered roller bearing 30207	1

**Cable entry, 1.5 mm2**

Pos.	Description/Kit No	95065457
1003	Cable guide	1
1004	cable seal, large	1
1005	Thrust washer	1
1006	cable seal, small	1
1007	O-ring 37.82 x 1.78	1
1008	Hexagon socket head cap screw	2
1009	Cable relief	1
1025	O-ring 113.97 x 2.62	1
1026	Cable joint	6
1027	Cable joint	4
1030	Cable shoe	1
-	Shrink tube for connections	10

**Gear housing**

Pos.	Description/Kit No	95038404
1088	Gear housing	1
1089	Retaining ring	1
1090	Slotted nut	1
1091	Lock washer	1
1092	Tapered roller bearing	1
1093	Gear shaft	1
1094	Tapered roller bearing	1
1101	Drain plug with magnet	1
1102	Plug	2
1119	PTFE tape	1

**Radial seal**

Pos.	Description/Kit No	95039130
1104	Lip seal 105 x 85 x 13	2
	O-ring 85.0 x 2.5	1
1108	O-ring 105.0 x 3.0	1
	O-ring 184.0 x 3.0	1
1110	Washer $\varnothing 8.4 / 16 \times 1.0$	1
1157	Gasket 96 x 75 x 2	1

**Gasket kit**

Pos.	Description/Kit No	95065455
1004	cable seal, large	1
1006	cable seal, small	1
1007	O-ring 37.82 x 1.78	1
1022	O-ring 158.42 x 2.62	2
1025	O-ring 113.97 x 2.62	1
1037	O-ring 63.22 x 1.78	1
1054	Lip seal 62 x 32 x 8	1
1055	Lip seal 72 x 40 x 7	1
1071	O-ring 21.95 x 1.78	1
1108	O-ring 85.0 x 2.5	1

**Gasket kit, Ex version (50 Hz Only)**

Pos.	Description/Kit No	95065456
1004	cable seal, large	1
1006	cable seal, small	1
1007	O-ring 37.82 x 1.78	1
1022	O-ring 158.42 x 2.62	2
1025	O-ring 113.97 x 2.62	1
1037	O-ring 63.22 x 1.78	1
1048	Mechanical shaft seal 45 x 32 x 0.5	1
1050	Shim	1
1051	Retaining ring	1
1108	O-ring 85.0 x 2.5	1

**Shaft seal**

Pos.	Description/Kit No	95065462
1095	Intermediate ring	1
1098	Mechanical shaft seal	1

**Slotted nut**

Pos.	Description/Kit No	95038413
1106	Slotted nut	2
1107	Lock washer	2

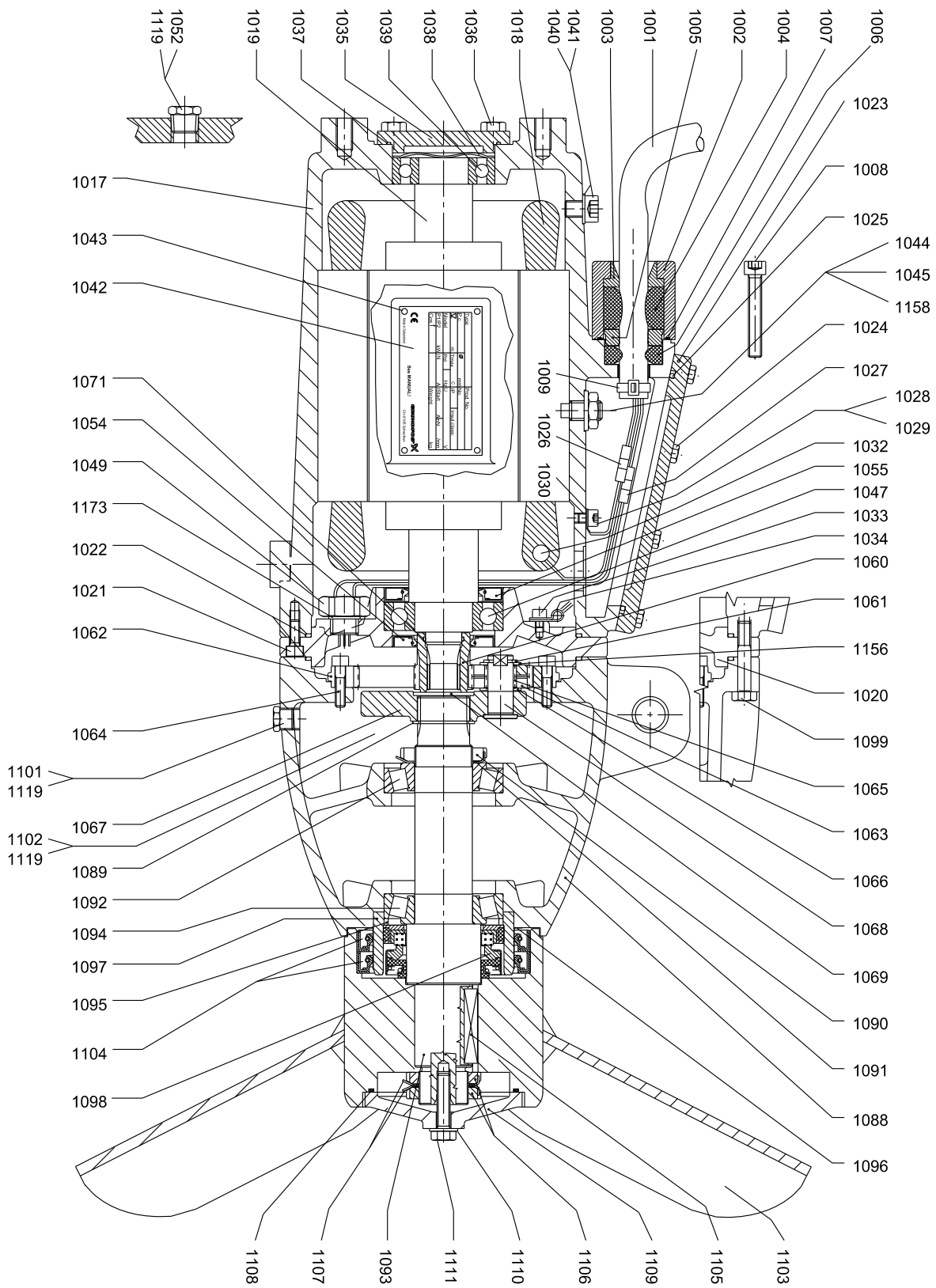
**Wear ring**

Pos.	Description/Kit No	Standard	95037374
1097	Wear ring ceramic	1	
1104	Lip seal 105 x 85 x 13	2	
	O-ring 85.0 x 2.5	1	
1108	O-ring 105.0 x 3.0	1	
	O-ring 184.0 x 3.0	1	
1157	Gasket	1	

**Water-in-oil sensor**

Pos.	Description/Kit No	95038409
1049	Water-in-oil sensor	1
1173	Seal washer	1

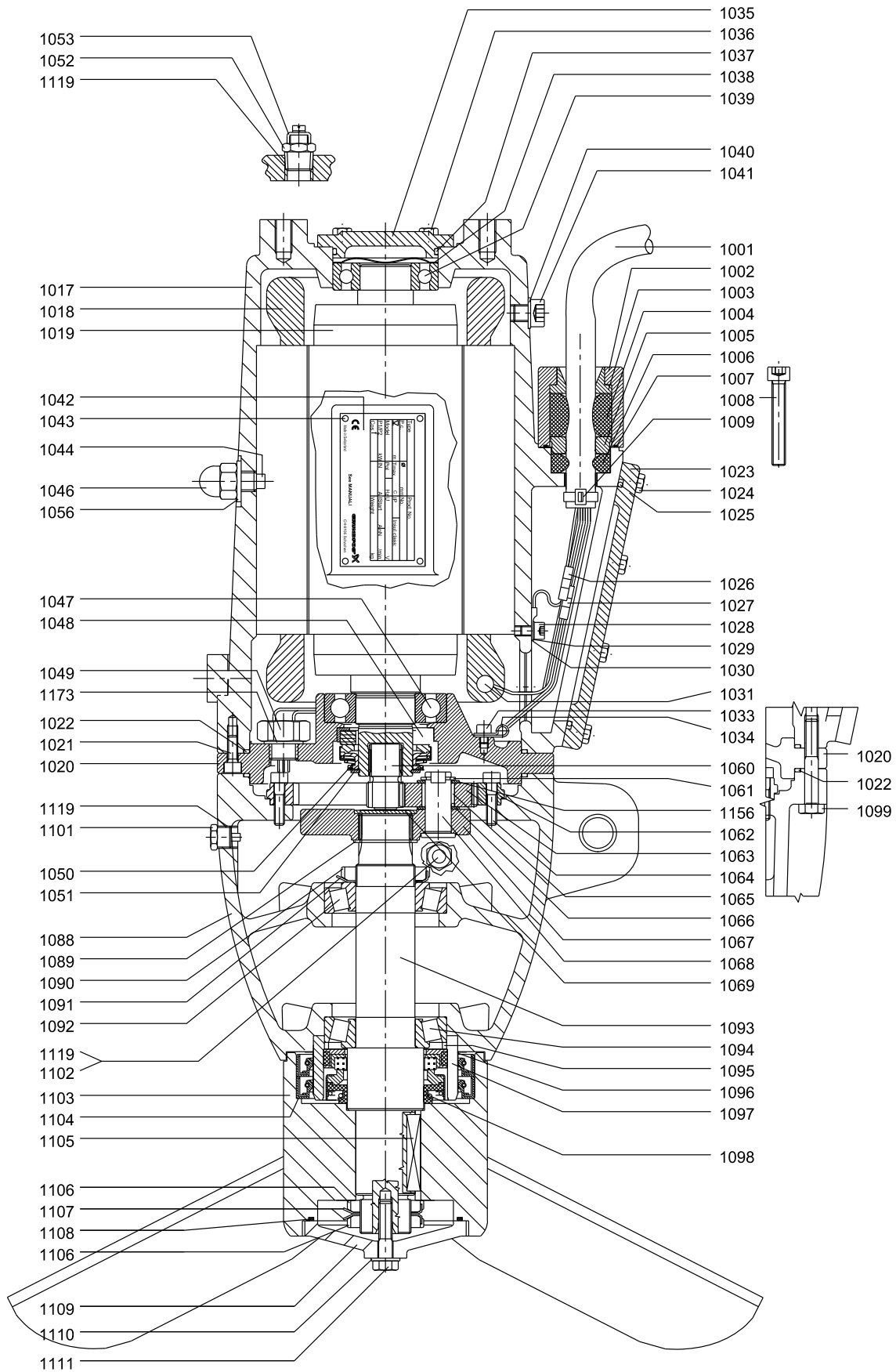
AMG non-ATEX



624560ML



AMG.Ex (50 Hz only)



TM035491

**Propeller, AISI 304 - 50 Hz**

Pos.	Description/Kit No	AMG.15.40 <sup>88)</sup>	AMG.22.45 <sup>88)</sup>	AMG.30.47 <sup>88)</sup>	AMG.40.52 <sup>88)</sup>	AMG.15.55	AMG.22.64	AMG.30.64	AMG.40.71
		95038400	95038401	95038402	95038403	95038461	95038462	95038463	95038464
1103	Propeller 1.5 kW	1	-	-	-	1	-	-	-
1103	Propeller 2.2 kW	-	1	-	-	-	1	-	-
1103	Propeller 3.0 kW	-	-	1	-	-	-	1	-
1103	Propeller 4.0 kW	-	-	-	1	-	-	-	1
1104	Lip seal	2	2	2	2	2	2	2	2
1105	Parallel key	1	1	1	1	1	1	1	1
1106	Slotted nut	2	2	2	2	2	2	2	2
1108	O-ring	1	1	1	1	1	1	1	1
1109	Hub cover	1	1	1	1	1	1	1	1
1110	Washer	1	1	1	1	1	1	1	1
1111	Hexagon head screw	1	1	1	1	1	1	1	1

<sup>88)</sup> Old version. Can be updated to the new version with higher efficiency by ordering the kit for the corresponding new version.

**Propeller, AISI 316 - 50 Hz**

Pos.	Description/Kit No	AMG.15.40 <sup>89)</sup>	AMG.22.45 <sup>89)</sup>	AMG.30.47 <sup>89)</sup>	AMG.40.52 <sup>89)</sup>	AMG.15.55	AMG.22.64	AMG.30.64	AMG.40.71
		95038457	95038458	95038459	95038460	95038465	95038466	95038467	95038468
1103	Propeller 1.5 kW	1	-	-	-	1	-	-	-
1103	Propeller 2.2 kW	-	1	-	-	-	1	-	-
1103	Propeller 3.0 kW	-	-	1	-	-	-	1	-
1103	Propeller 4.0 kW	-	-	-	1	-	-	-	1
1104	Lip seal	2	2	2	2	2	2	2	2
1105	Parallel key	1	1	1	1	1	1	1	1
1106	Slotted nut	2	2	2	2	2	2	2	2
1108	O-ring	1	1	1	1	1	1	1	1
1109	Hub cover	1	1	1	1	1	1	1	1
1110	Washer	1	1	1	1	1	1	1	1
1111	Hexagon head screw	1	1	1	1	1	1	1	1

<sup>89)</sup> Old version. Can be updated to the new version with higher efficiency by ordering the kit for the corresponding new version.

**Propeller, AISI 304 - 60 Hz**

Pos.	Description	60 Hz SI	AMG.15.37 <sup>90)</sup>	AMG.22.41 <sup>90)</sup>	AMG.30.43 <sup>90)</sup>	AMG.40.47 <sup>90)</sup>	AMG.15.40	AMG.22.52	AMG.30.63	AMG.40.64
		60 Hz US	AMG.20.15 <sup>90)</sup>	AMG.30.16 <sup>90)</sup>	AMG.40.17 <sup>90)</sup>	AMG.50.19 <sup>90)</sup>	AMG.20.16	AMG.30.20	AMG.40.24	AMG.50.25
		Kit No	95038716	95038717	95038718	95038719	95038724	95038725	95038726	95038727
1103	Propeller 1.5 kW / 2 Hp	1	-	-	-	-	1	-	-	-
1103	Propeller 2.2 kW / 3 Hp	-	1	-	-	-	-	1	-	-
1103	Propeller 3.0 kW / 4 Hp	-	-	1	-	-	-	-	1	-
1103	Propeller 4.0 kW / 5 Hp	-	-	-	1	-	-	-	-	1
1104	Lip seal	2	2	2	2	2	2	2	2	2
1105	Parallel key	1	1	1	1	1	1	1	1	1
1106	Slotted nut	2	2	2	2	2	2	2	2	2
1108	O-ring	1	1	1	1	1	1	1	1	1
1109	Hub cover	1	1	1	1	1	1	1	1	1
1110	Washer	1	1	1	1	1	1	1	1	1
1111	Hexagon head screw	1	1	1	1	1	1	1	1	1

<sup>90)</sup> Old version. Can be updated to the new version with higher efficiency by ordering the kit for the corresponding new version.

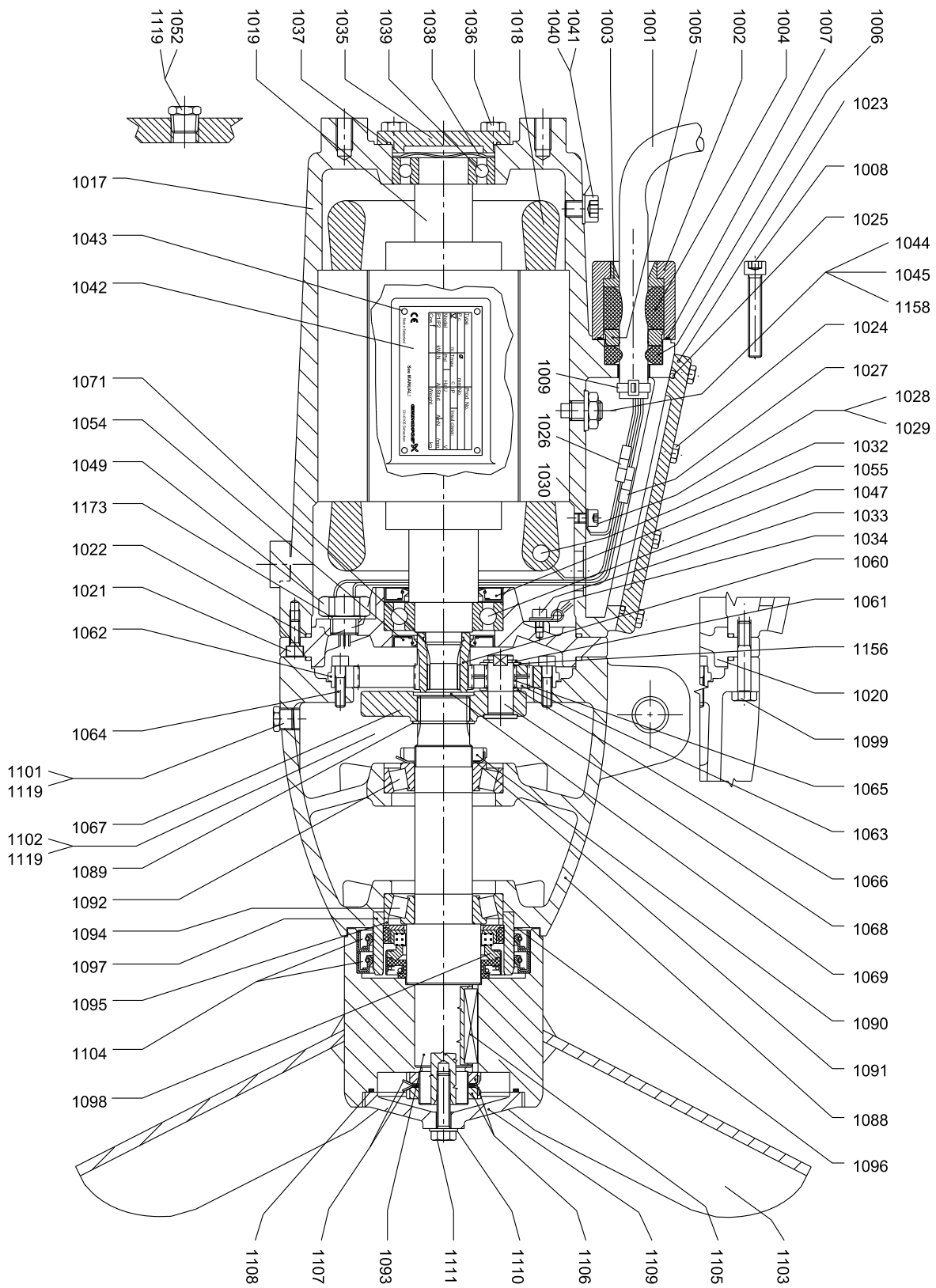
**Cable**

Pos.	Description/Kit No	95038410	95038411	95038412
1001	Cable	10 m / 30 ft	15 m / 50 ft	25 m / 80 ft
1026	Cable joint	6	6	6
1027	Cable joint	4	4	4
1030	Cable shoe	1	1	1

**Gear**

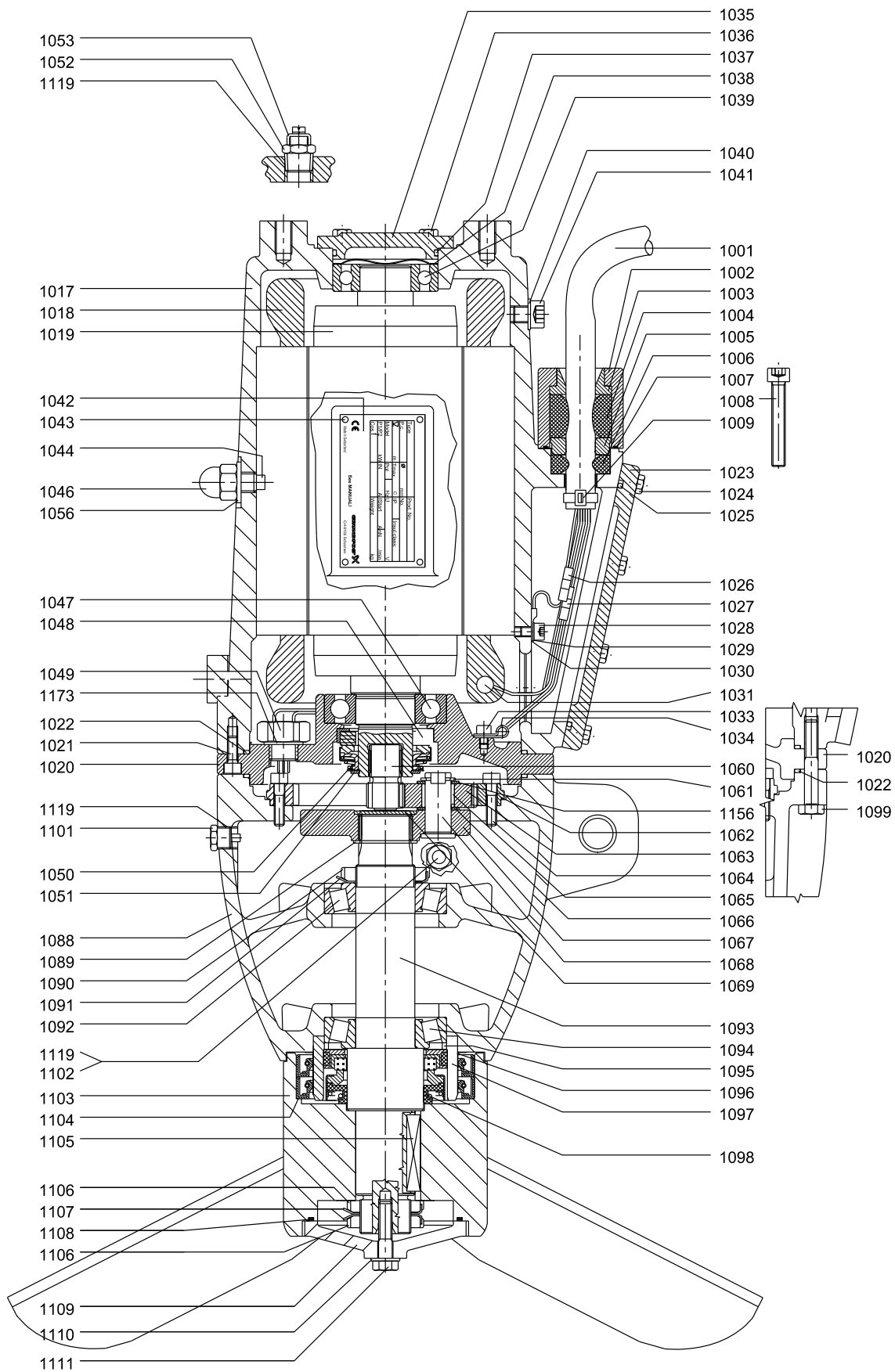
Pos.	Description/Kit No	Non-Ex version	Ex version
		<i>95065491</i>	<i>95065494</i>
1060	Sun wheel	1	1
1061	Retaining ring	3	3
1062	Ring gear	1	1
1063	Planet gear	3	3
1065	Roller	81	81
1066	Washer	3	3
1067	Planet carrier	1	1
1068	Planet pin	3	3
1069	Cover	1	1
1071	O-ring	1	-
1156	Washer	3	3

AMG non-ATEX



624560ML

AMG.15.xxx.Ex - AMG.40.xxx.Ex



TM035491

## Propeller, AISI 316 - 60 Hz

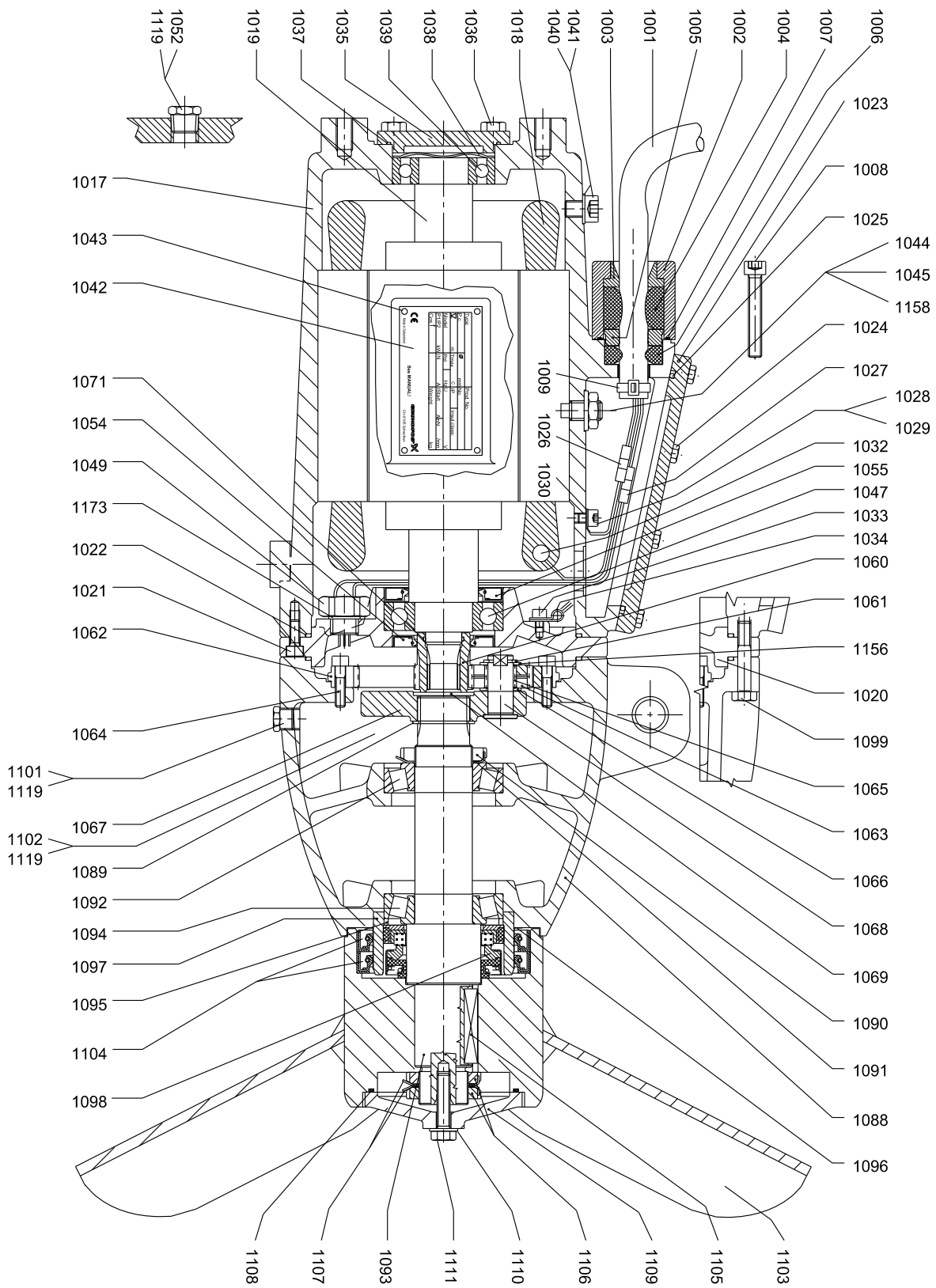
Pos.	Description	60 Hz SI	AMG.15.37 <sup>91</sup>	AMG.22.41 <sup>91</sup>	AMG.30.43 <sup>91</sup>	AMG.40.47 <sup>91</sup>	AMG.15.40	AMG.22.52	AMG.30.63	AMG.40.64
			)	)	)	)				
		60 Hz US	AMG.20.15 <sup>91</sup>	AMG.30.16 <sup>91</sup>	AMG.40.17 <sup>91</sup>	AMG.50.19 <sup>91</sup>	AMG.20.16	AMG.30.20	AMG.40.24	AMG.50.25
	Kit No	95038720	95038721	95038722	95038723	95038728	95038729	95038730	95038731	
1103	Propeller 1.5 kW / 2 Hp	1	-	-	-	1	-	-	-	
1103	Propeller 2.2 kW / 3 Hp	-	1	-	-	-	1	-	-	
1103	Propeller 3.0 kW / 4 Hp	-	-	1	-	-	-	1	-	
1103	Propeller 4.0 kW / 5 Hp	-	-	-	1	-	-	-	1	
1104	Lip seal	2	2	2	2	2	2	2	2	
1105	Parallel key	1	1	1	1	1	1	1	1	
1106	Slotted nut	2	2	2	2	2	2	2	2	
1108	O-ring	1	1	1	1	1	1	1	1	
1109	Hub cover	1	1	1	1	1	1	1	1	
1110	Washer	1	1	1	1	1	1	1	1	
1111	Hexagon head screw	1	1	1	1	1	1	1	1	

<sup>91</sup>) Old version. Can be updated to the new version with higher efficiency by ordering the kit for the corresponding new version.

## Motor

Pos.	Description	Non-Ex version		Ex version		
		50 Hz	AMG.15.xx AMG.22.xx	AMG.30.xx AMG.40.xx	AMG.15.xx.Ex AMG.22.xx.Ex	AMG.30.xx.Ex AMG.40.xx.Ex
		60 Hz SI	AMG.15.xx AMG.22.xx	AMG.30.xx AMG.40.xx	-	-
		60 Hz US	AMG.20.xx AMG.30.xx	AMG.40.xx AMG.50.xx	-	-
		Kit No	95038405	95038406	95038407	95038408
1002	Cable flange		1	1	1	1
1007	O-ring		1	1	1	1
1008	Hexagon socket head cap screw		2	2	2	2
1017	Motor housing		1	1	1	1
1018	Stator		1	1	1	1
1019	Rotor with shaft		1	1	1	1
1020	Motor flange		1	1	1	1
1021	Hexagon socket head cap screw		3	3	3	3
1022	O-ring		2	2	2	2
1023	Terminal box cover		1	1	1	1
1024	Hexagon head screw		8	8	8	8
1025	O-ring		1	1	1	1
1028	Hexagon socket head cap screw		1	1	1	1
1029	Lock washer		1	1	1	1
1033	Hexagon socket head cap screw		1	1	1	1
1034	Cable clamp		1	1	1	1
1035	Bearing cover		1	1	1	1
1036	Hexagon head screw		4	4	4	4
1037	O-ring		1	1	1	1
1038	Compensation disc		1	1	1	1
1039	Ball bearing		1	1	-	-
	Ball bearing		-	-	1	1
1040	Washer		1	1	1	1
1041	Hexagon socket head cap screw		1	1	1	1
1044	Set screw		1	1	1	1
1045	Spring washer		1	1	-	1
1046	Nut		-	-	1	1
1047	Ball bearing		1	1	-	-
	Ball bearing		-	-	1	1
1048	Mechanical shaft seal		-	-	1	1
1049	Water-in-oil sensor		1	1	1	1
1050	Shim		-	-	1	1
1051	Retaining ring		-	-	1	1
1052	Plug		1	1	-	1
1053	Connection for protective earthing		-	-	1	1
1054	Lip seal		1	1	-	-
1055	Lip seal		1	1	-	-
1056	Seal washer		-	-	1	1
1119	PTFE tape		1	1	1	1
1158	Nut		1	1	-	-
1173	Seal washer		1	1	1	1

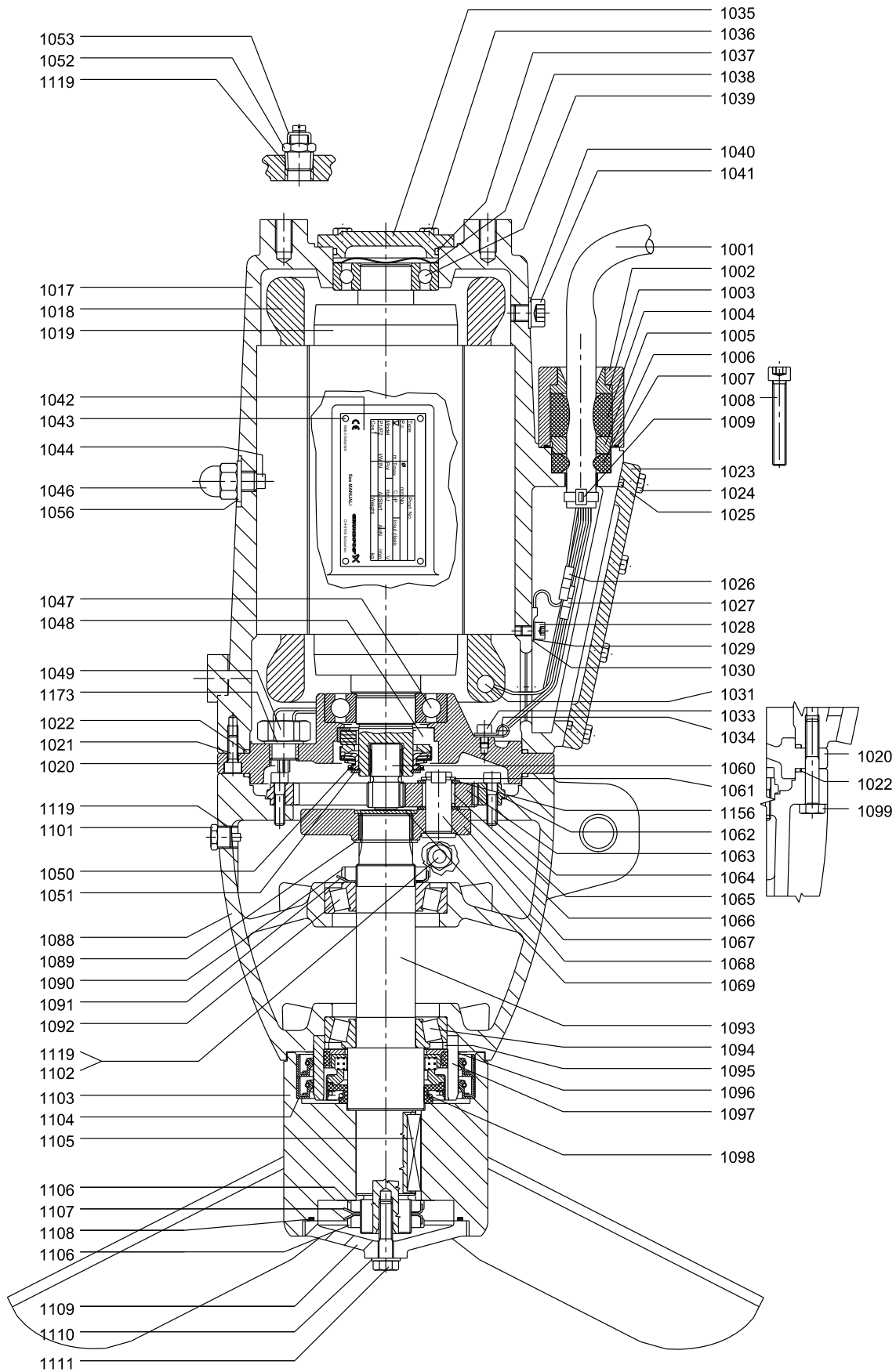
AMG non-ATEX



647560ML



AMG.15.xxx.Ex - AMG.40.xxx.Ex (50 Hz only)



TM035491

**AMG.55-110 (50/60 Hz) and AMG.75-150 (60 Hz North America)****Bearing, motor**

Pos.	Description/Kit No	95065466
1038	Compensation disc	1
1039	Ball bearing 6208 2RS	1
1047	Ball bearing 6208 2RS	1

**Bearing, motor Ex version (50 Hz only)**

Pos.	Description/Kit No	96645955
1038	Compensation disc	1
1039	Ball bearing 6208 2RS	1
1047	Ball bearing 6010 2RS	1

**Bearing, gearbox**

Pos.	Description/Kit No	95065467
1090	Slotted nut; elastic stop	1
1092	Tapered roller bearing 30209	1
1094	Tapered roller bearing 32209	1

**Cable entry, 2.5 mm<sup>2</sup>**

Pos.	Description/Kit No	95065465
1003	Cable guide	1
1004	Cable seal, large	1
1005	Thrust washer	1
1006	cable seal, small	1
1007	O-ring	1
1008	Hexagon socket head cap screw	2
1009	Cable relief	1
1025	O-ring	1
1026	Cable joint	6
1027	Cable joint	4
1030	Cable shoe	1
-	Shrink tube for connections	10

**Gasket kit**

Pos.	Description/Kit No	95065463	
1004	Cable seal, large	1	
1006	Cable seal, small	1	
1007	O-ring	54.0 x 3.0	1
1022	O-ring	215.57 x 2.62	2
1025	O-ring	139.29 x 3.53	1
1037	O-ring	75.87 x 2.62	1
1054	Lip seal	72 x 45 x 8	1
1055	Lip seal	80 x 50 x 8	1
1071	O-ring	32.93 x 3.53	1
1108	O-ring	94.92 x 2.62	1

**Gasket kit, Ex version (50 Hz only)**

Pos.	Description/Kit No	95065464	
1004	Cable seal, large	1	
1006	Cable seal, small	1	
1007	O-ring	54.0 x 3.0	1
1022	O-ring	215.57 x 2.62	2

Pos.	Description/Kit No	95065464	
1025	O-ring	139.29 x 3.53	1
1037	O-ring	75.87 x 2.62	1
1048	Mechanical shaft seal		1
1050	Shim		1
1051	Retaining ring		1
1108	O-ring	94.92 x 2.62	1

**Gear housing**

Pos.	Description/Kit No	95038481
1088	Gear housing	1
1090	Slotted nut KM9; elastic stop	1
1092	Tapered roller bearing	1
1093	Gear shaft	1
1094	Tapered roller bearing	1
1101	Drain plug with magnet	1
1102	Plug	2
1119	PTFE tape	1
1164	Retaining ring	1

**Radial seal**

Pos.	Description/Kit No	95039131	
1104	Lip seal	120 x 100 x 12	2
	O-ring	94.92 x 2.62	1
1108	O-ring	184.0 x 3.0	1
	O-ring	225.0 x 3.0	1
1110	Washer	∅10.5 / 20 x 2.0	1
1157	Gasket	96 x 75 x 2	1

**Shaft seal**

Pos.	Description/Kit No	95065470
1098	Mechanical shaft seal	1

**Slotted nut**

Pos.	Description/Kit No	95038489
1106	Slotted nut	2
1107	Lock washer	2

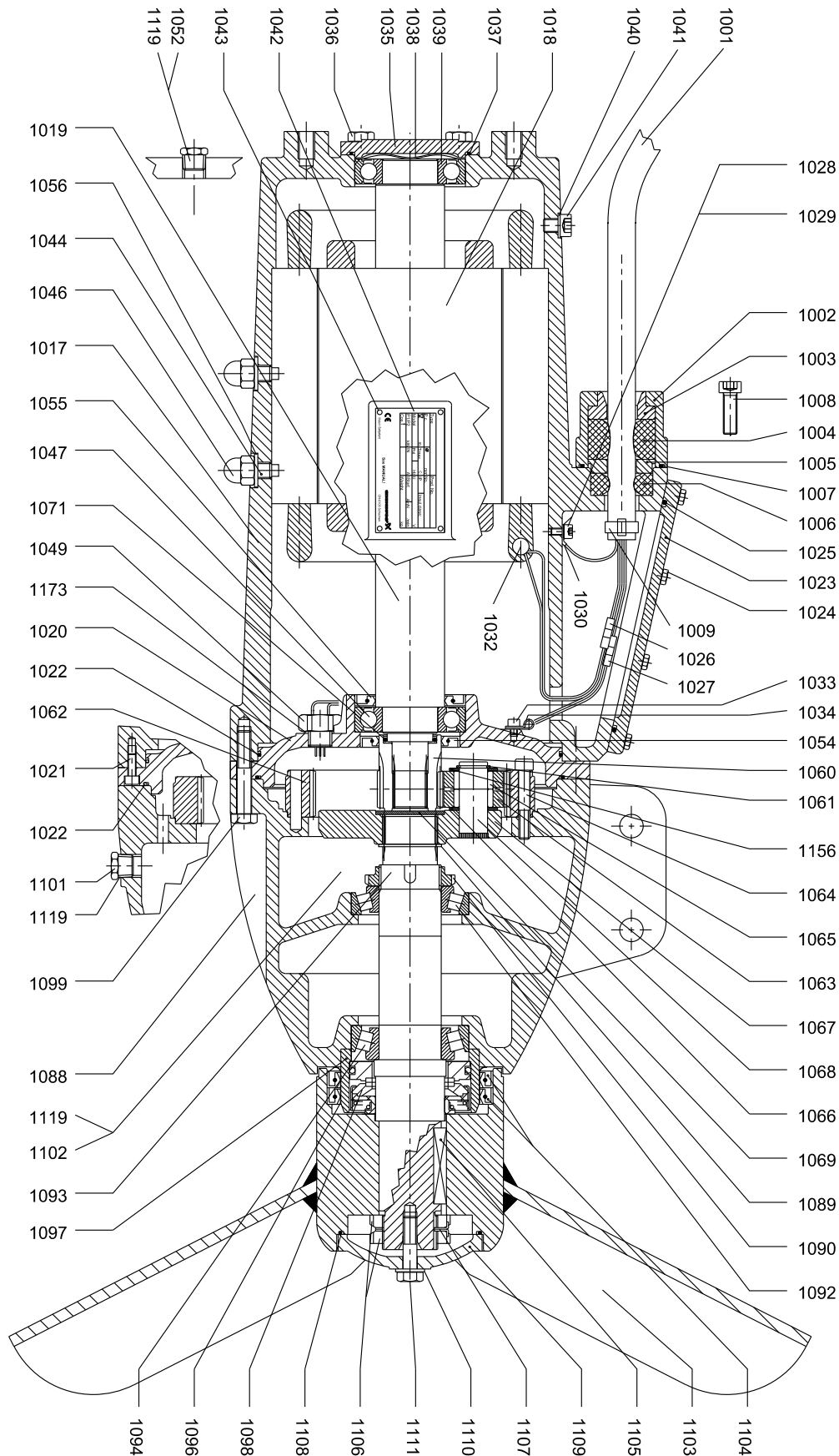
**Wear ring**

Pos.	Description/Kit No	Standard	
		<b>95037375</b>	
1097	Wear ring ceramic	1	
1104	Lip seal	100 x 120 x 12	2
	O-ring	94.92 x 2.62	1
1108	O-ring	184.0 x 3.0	1
	O-ring	225.0 x 3.0	1
1157	Gasket	96 x 75 x 2	1

**Water-in-oil sensor**

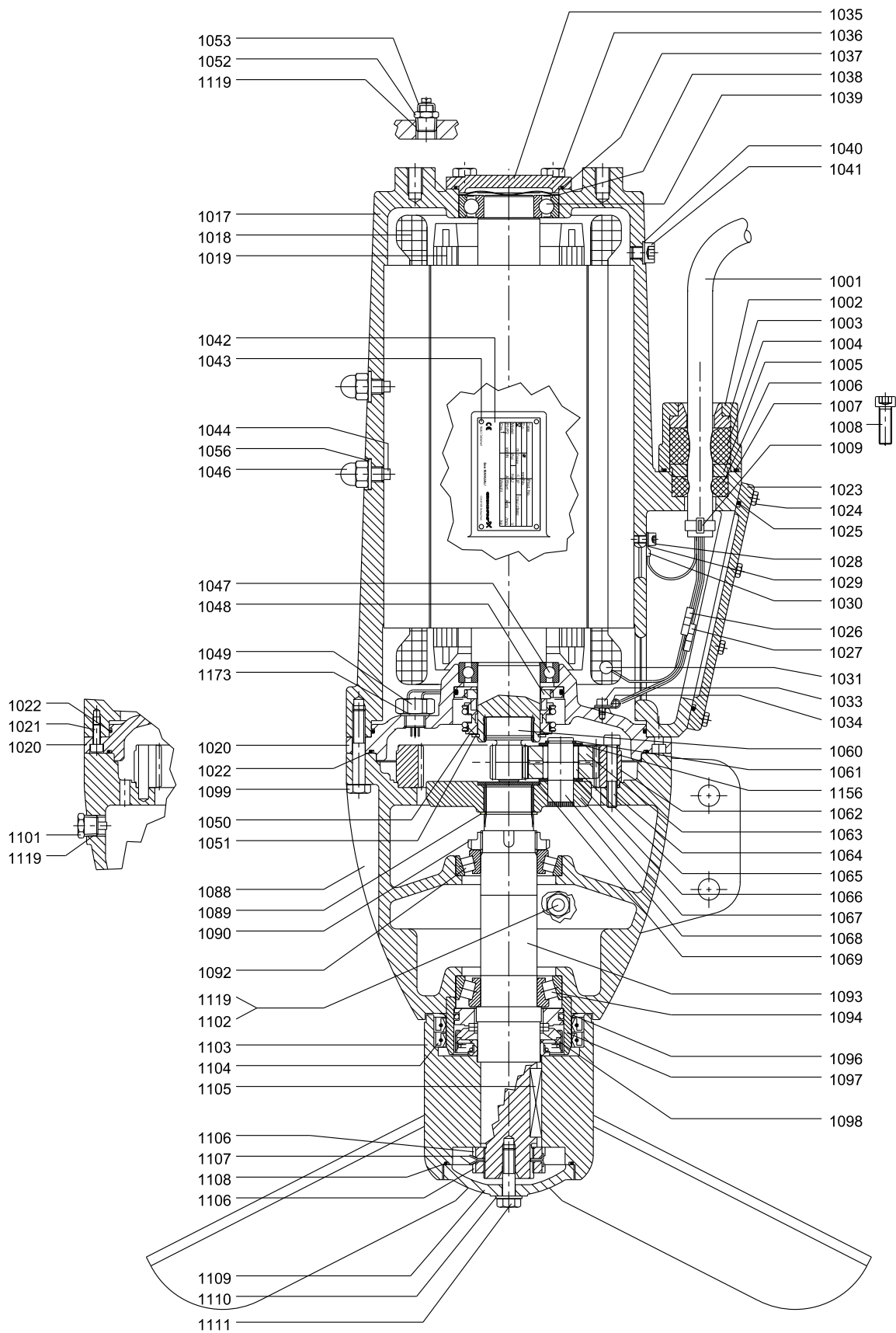
Pos.	Description/Kit No	95038409
1049	Water-in-oil sensor	1
1173	Seal washer	1

AMG non-ATEX



189560ML

AMG.55.xxx.Ex - AMG.110.xxx.Ex (50 Hz only)



TM035493

**Propeller, AISI 304 (50 Hz)**

Pos.	Description/Kit No	AMG.55.50 <sup>92)</sup>	AMG.75.58 <sup>92)</sup>	AMG.110.68 <sup>92)</sup>	AMG.55.73	AMG.75.73	AMG.110.84
		95038469	95038470	95038471	95038475	95038476	95038477
1103	Propeller 5.5 kW	1	-	-	1	-	-
1103	Propeller 7.5 kW	-	1	-	-	1	-
1103	Propeller 11 kW	-	-	1	-	-	1
1104	Lip seal	2	2	2	2	2	2
1105	Parallel key	1	1	1	1	1	1
1106	Slotted nut	2	2	2	2	2	2
1108	O-ring	1	1	1	1	1	1
1109	Hub cover	1	1	1	1	1	1
1110	Washer	1	1	1	1	1	1
1111	Hexagon head screw	1	1	1	1	1	1

<sup>92)</sup> Old version. Can be updated to the new version with higher efficiency by ordering the kit for the corresponding new version.

**Propeller, AISI 316 (50 Hz)**

Pos.	Description/Kit No	AMG.55.50 <sup>93)</sup>	AMG.75.58 <sup>93)</sup>	AMG.110.68 <sup>93)</sup>	AMG.55.73	AMG.75.73	AMG.110.84
		95038472	95038473	95038474	95038478	95038479	95038480
1103	Propeller 5.5 kW	1	-	-	1	-	-
1103	Propeller 7.5 kW	-	1	-	-	1	-
1103	Propeller 11 kW	-	-	1	-	-	1
1104	Lip seal	2	2	2	2	2	2
1105	Parallel key	1	1	1	1	1	1
1106	Slotted nut	2	2	2	2	2	2
1108	O-ring	1	1	1	1	1	1
1109	Hub cover	1	1	1	1	1	1
1110	Washer	1	1	1	1	1	1
1111	Hexagon head screw	1	1	1	1	1	1

<sup>93)</sup> Old version. Can be updated to the new version with higher efficiency by ordering the kit for the corresponding new version.

**Propeller, AISI 304 (60 Hz)**

Pos.	Description	60 Hz SI	AMG.55.46 <sup>94)</sup>	AMG.75.51 <sup>94)</sup>	AMG.110.60 <sup>94)</sup>	AMG.55.60	AMG.75.68	AMG.110.73
		60 Hz US	AMG.75.18 <sup>94)</sup>	AMG.100.20 <sup>94)</sup>	AMG.150.23 <sup>94)</sup>	AMG.75.23	AMG.100.27	AMG.150.29
		Kit No	95038732	95038733	95038734	95038738	95038739	95038740
1103	Propeller 5.5 kW / 7.5 Hp		1	-	-	1	-	-
1103	Propeller 7.5 kW / 10 Hp		-	1	-	-	1	-
1103	Propeller 11 kW / 15 Hp		-	-	1	-	-	1
1104	Lip seal		2	2	2	2	2	2
1105	Parallel key		1	1	1	1	1	1
1106	Slotted nut		2	2	2	2	2	2
1108	O-ring		1	1	1	1	1	1
1109	Hub cover		1	1	1	1	1	1
1110	Washer		1	1	1	1	1	1
1111	Hexagon head screw		1	1	1	1	1	1

<sup>94)</sup> Old version. Can be updated to the new version with higher efficiency by ordering the kit for the corresponding new version.

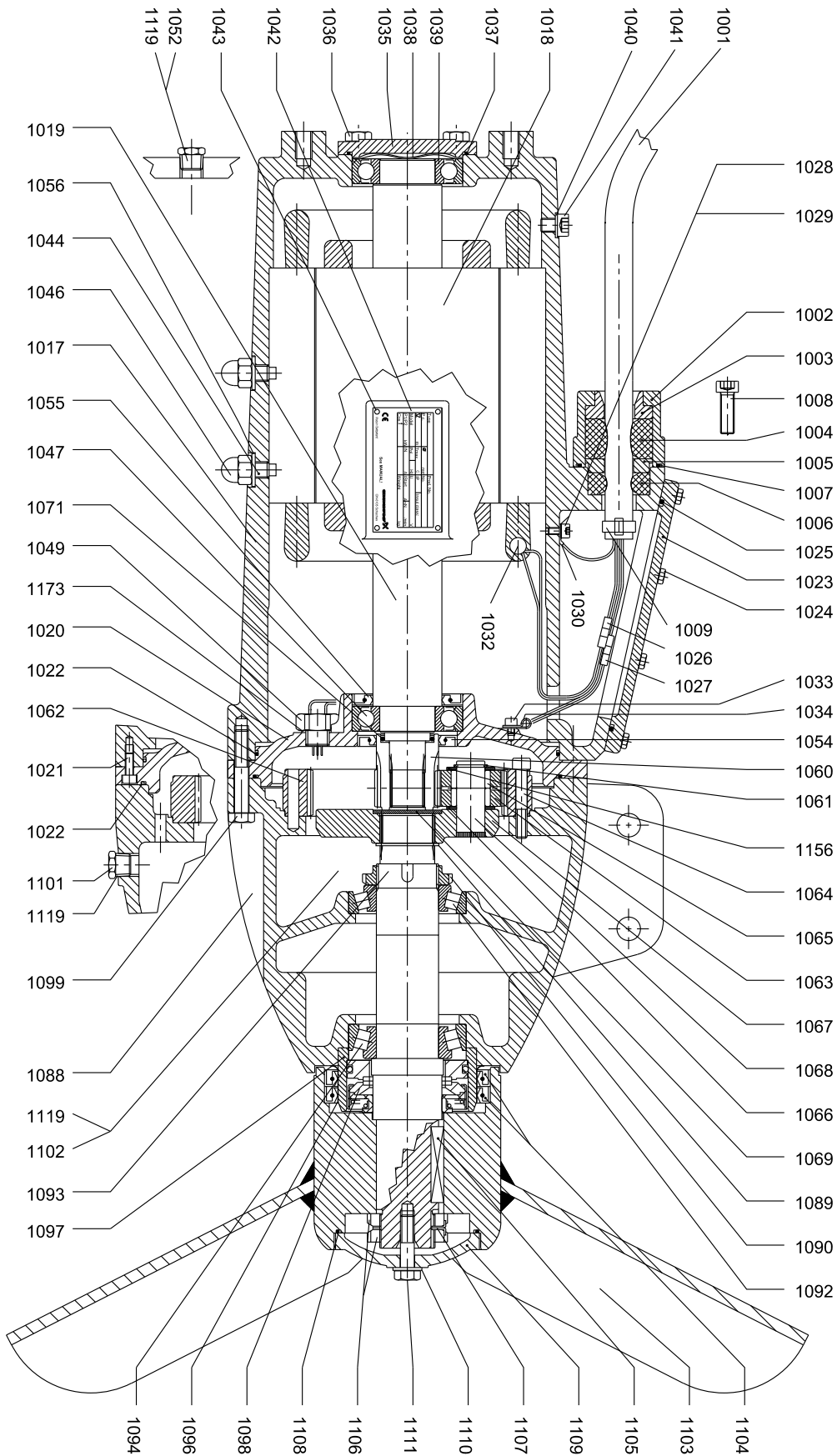
**Cable**

Pos.	Description/Kit No	95038486	95038487	95038488
		10 m / 30 ft	15 m / 50 ft	25 m / 80 ft
1001	Cable			
1026	Cable joint	6	6	6
1027	Cable joint	4	4	4
1030	Cable shoe	1	1	1

**Gear**

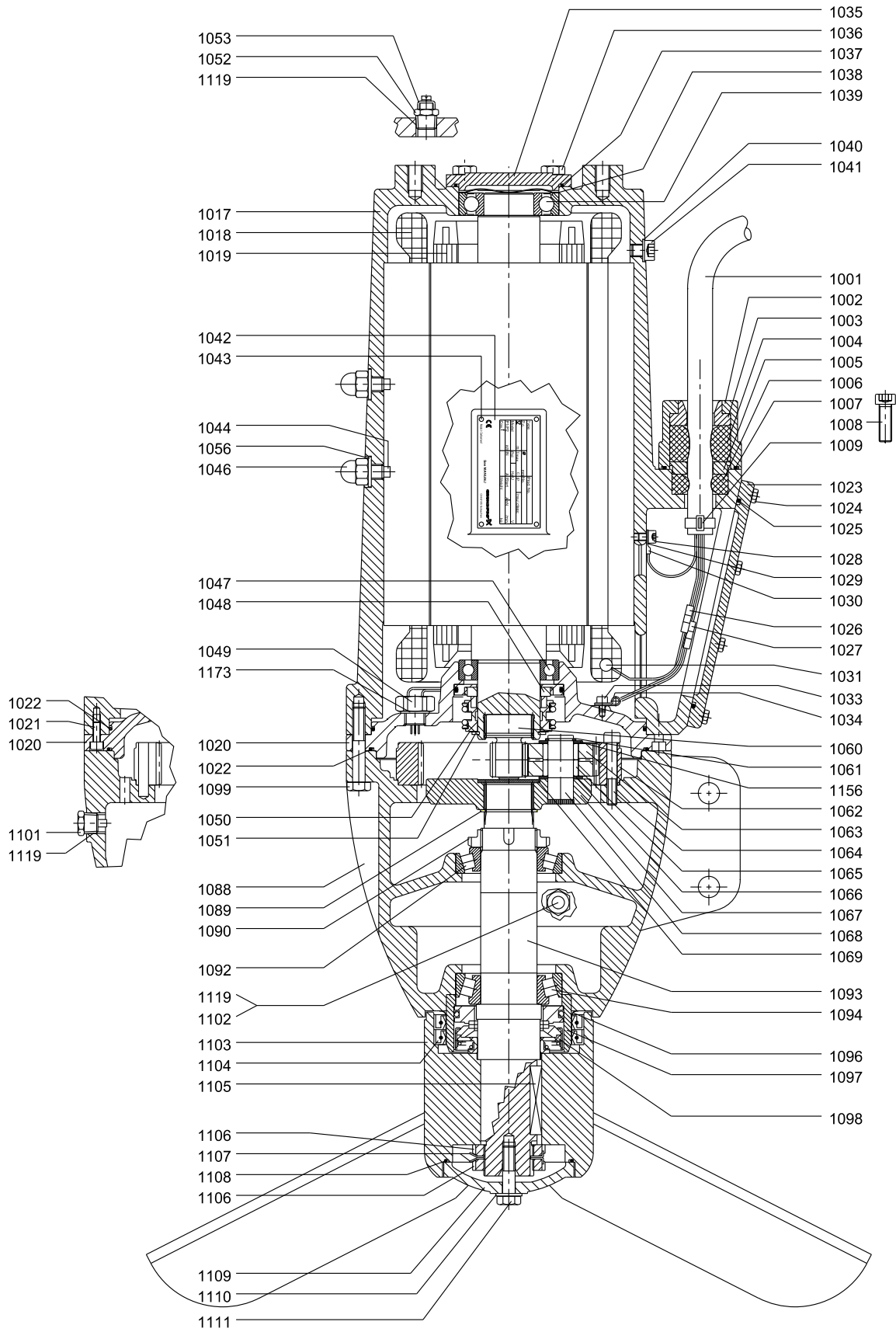
Pos.	Description/Kit No	Non-Ex version	Ex version
		95065492	95065495
1060	Sun wheel	1	1
1061	Retaining ring	3	3
1062	Ring gear	1	1
1063	Planet gear	3	3
1065	Roller	114	114
1066	Washer	3	3
1067	Planet carrier	1	1
1068	Planet pin	3	3
1069	Cover	1	1
1071	O-ring	1	-
1156	Washer	3	3

AMG non-ATEX



18950ML

AMG.55.xxx.Ex - AMG.110.xxx.Ex (50 Hz only)



TM035493



**Motor**

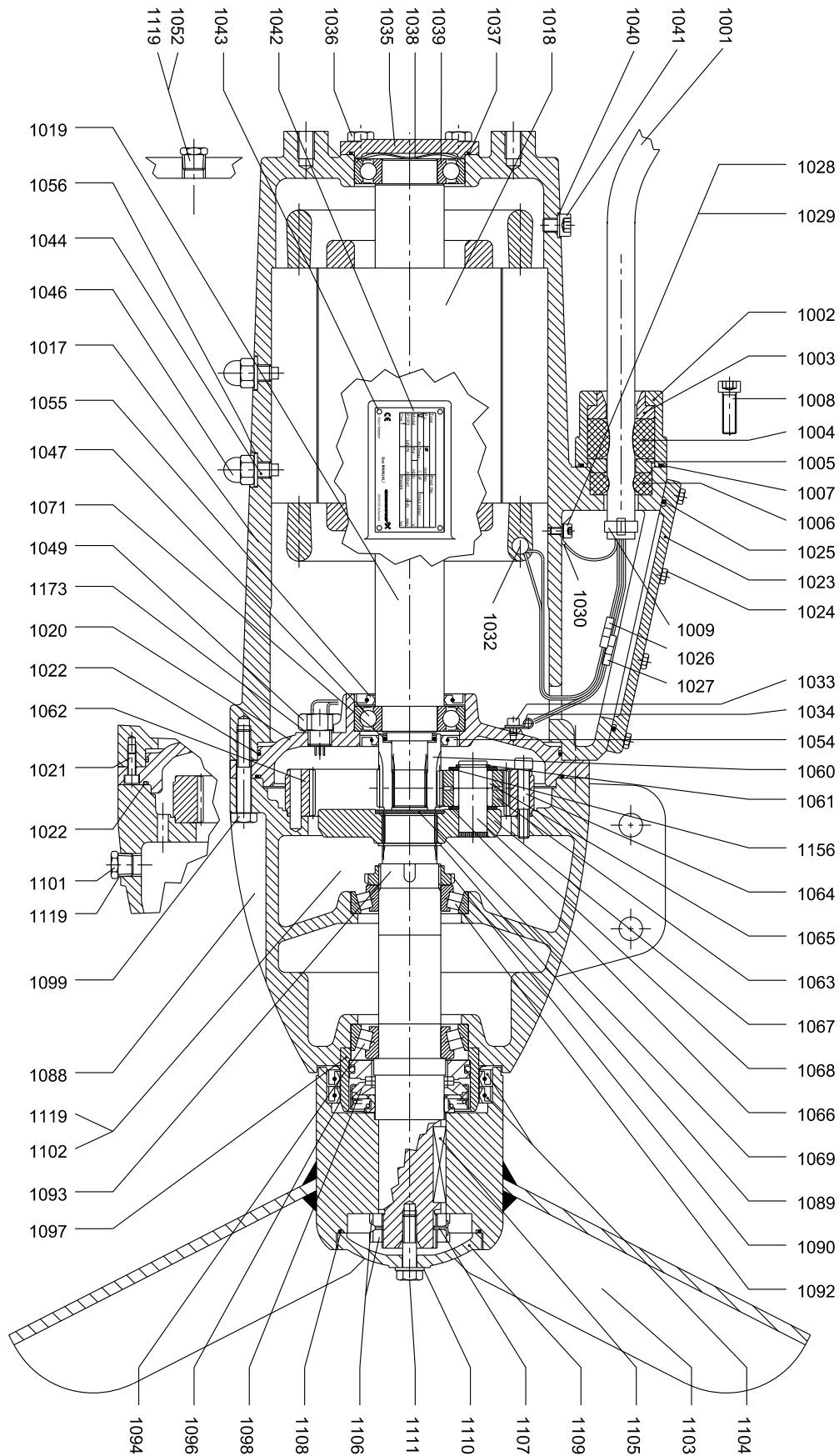
Pos.	Description	Non-Ex version		Ex version	
		50 Hz	AMG.55.xx AMG.75.xx	AMG.110.xx	AMG.55.xx.Ex AMG.75.xx.Ex
	60 Hz SI	AMG.55.xx AMG.75.xx	AMG.110.xx	-	-
	60 Hz US	AMG.75.xx AMG.100.xx	AMG.150.xx	-	-
	Kit No	95038482	95038483	95038484	95038485
1002	Cable flange	1	1	1	1
1007	O-ring	1	1	1	1
1008	Hexagon socket head cap screw	2	2	2	2
1017	Motor housing	1	1	1	1
1018	Stator 4-pole 7.5 kW / 10 Hp	1	-	-	-
	Stator 4-pole 9.0 kW Ex	-	-	1	-
	Stator 4-pole 11.0 kW / 15 Hp	-	1	-	-
	Stator 4-pole 14.0 kW Ex	-	-	-	1
1019	Rotor with shaft 4-pole 7.5 kW / 10 Hp	1	-	-	-
	Rotor with shaft 4-pole 9.0 kW Ex	-	-	1	-
	Rotor with shaft 4-pole 11.0 kW / 15 Hp	-	1	-	-
	Rotor with shaft 4-pole 14.0 kW Ex	-	-	-	1
1020	Motor flange	1	1	1	1
1021	Hexagon socket head cap screw	3	3	3	3
1022	O-ring	2	2	2	2
1023	Terminal box cover	1	1	1	1
1024	Hexagon head screw	8	8	8	8
1025	O-ring	1	1	1	1
1028	Hexagon socket head cap screw	1	1	1	1
1029	Lock washer	1	1	1	1
1033	Hexagon socket head cap screw	1	1	1	1
1034	Cable clamp	1	1	1	1
1035	Bearing cover	1	1	1	1
1036	Hexagon head screw	4	4	4	4
1037	O-ring	1	1	1	1
1038	Compensation disc	1	1	1	1
1039	Ball bearing	1	1	-	-
	Ball bearing	-	-	1	1
1040	Washer	1	1	1	1
1041	Hexagon socket head cap screw	1	1	1	1
1044	Set screw	2	2	2	2
1046	Nut	2	2	2	2
1047	Ball bearing	1	1	-	-
	Ball bearing	-	-	1	1
1048	Mechanical shaft seal	-	-	1	1
1049	Water-in-oil sensor	1	1	1	1
1050	Shim	-	-	1	1
1051	Retaining ring	-	-	1	1
1052	Plug	1	1	1	1
1053	Connection for protective earthing	-	-	1	1
1054	Lip seal	1	1	-	-
1055	Lip seal	1	1	-	-
1056	Seal washer	2	2	2	2
1119	PTFE tape	1	1	1	1
1173	Seal washer	1	1	1	1

**Propeller, AISI 316 (60 Hz)**

Pos.	Description	60 Hz SI	AMG.55.46 <sup>95)</sup>	AMG.75.51 <sup>95)</sup>	AMG.110.60 <sup>95)</sup>	AMG.55.60	AMG.75.68	AMG.110.73
		60 Hz US	AMG.75.18 <sup>95)</sup>	AMG.100.20 <sup>95)</sup>	AMG.150.23 <sup>95)</sup>	AMG.75.23	AMG.100.27	AMG.150.29
		Kit No	95038735	95038736	95038737	95038741	95038742	95038743
1103	Propeller 5.5 kW / 7.5 Hp	1	-	-	-	1	-	-
1103	Propeller 7.5 kW / 10 Hp	-	1	-	-	-	1	-
1103	Propeller 11 kW / 15 Hp	-	-	1	-	-	-	1
1104	Lip seal	2	2	2	2	2	2	2
1105	Parallel key	1	1	1	1	1	1	1
1106	Slotted nut	2	2	2	2	2	2	2
1108	O-ring	1	1	1	1	1	1	1
1109	Hub cover	1	1	1	1	1	1	1
1110	Washer	1	1	1	1	1	1	1
1111	Hexagon head screw	1	1	1	1	1	1	1

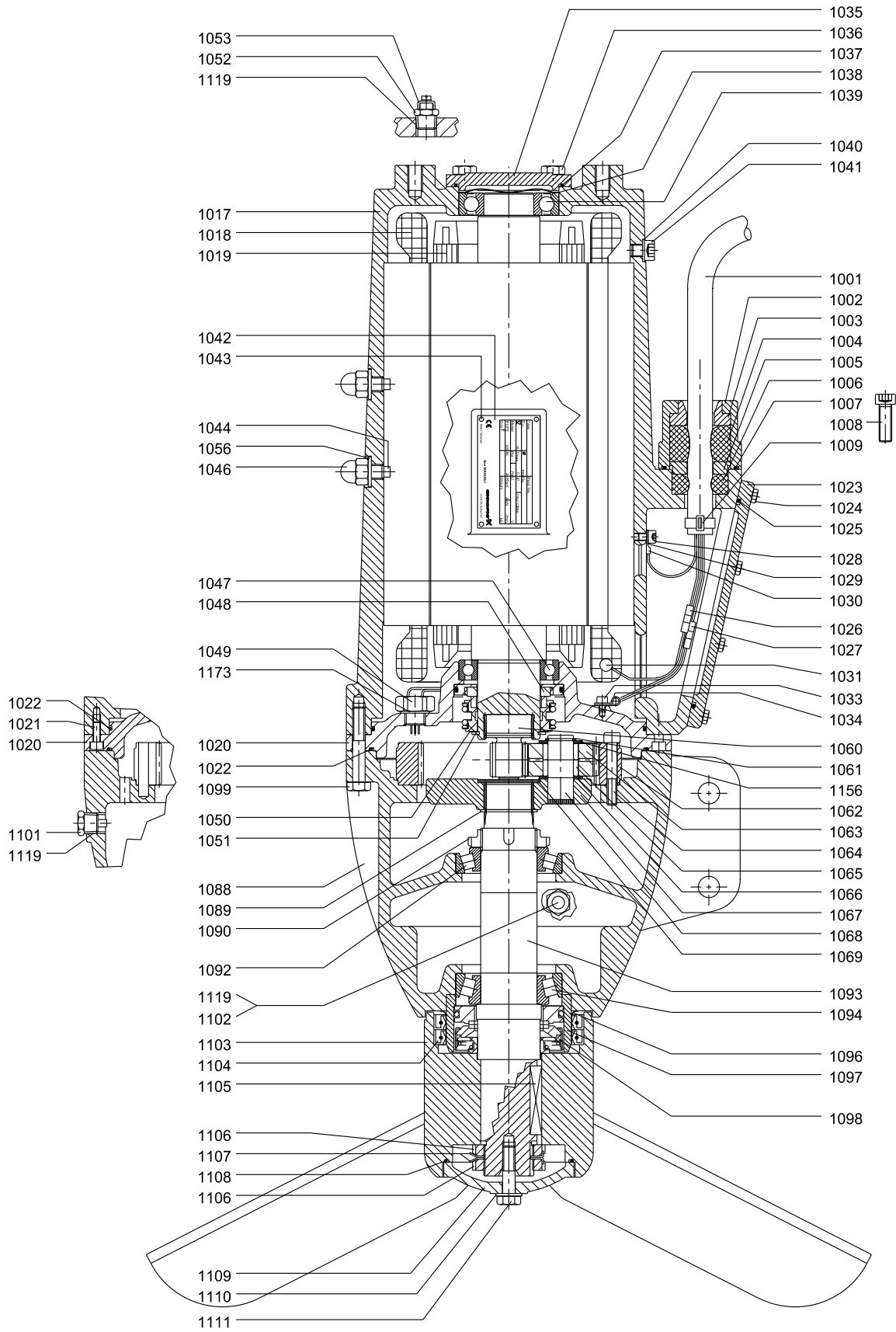
<sup>95)</sup> Old version. Can be updated to the new version with higher efficiency by ordering the kit for the corresponding new version.

AMG non-ATEX



189560ML

AMG.55.xxx.Ex - AMG.110.xxx.Ex (50 Hz only)



TM035493

**AMG.150-185 (50/60 Hz) and AMG.200-250 (60 Hz North America)****Bearing, motor**

Pos.	Description/Kit No	95065474
1038	Compensation disc	1
1039	Ball bearing 6210 2RS	1
1047	Ball bearing 6210 2RS	1

**Bearing, gearbox**

Pos.	Description/Kit No	95065475
1090	Slotted nut	1
1091	Lock washer	1
1092	Tapered roller bearing 30212	1
1094	Tapered roller bearing 33212	1

**Cable**

Pos.	Description/Kit No	95038520	95038521	95038522
1001	Cable	10 m / 30 ft	15 m / 50 ft	25 m / 80 ft
1026	Cable joint	6	6	6
1027	Cable joint	4	4	4
1030	Cable shoe	1	1	1

**Cable entry, 4 mm<sup>2</sup>**

Pos.	Description/Kit No	95065473	
1003	Cable guide	1	
1004	cable seal, large	1	
1005	Thrust washer	1	
1006	cable seal, small	1	
1007	O-ring	54.0 x 3.0	1
1008	Hexagon socket head cap screw	2	
1009	Cable relief	1	
1025	O-ring	139.29 x 3.53	1
1026	Cable joint	6	
1027	Cable joint	4	
1030	Cable shoe	1	
-	Shrink tube for connections	6	
-	Shrink tube for connections	4	

**Gasket kit**

Pos.	Description/Kit No	95065471	
1004	cable seal, large	1	
1006	cable seal, small	1	
1007	O-ring	54.0 x 3.0	1
1022	O-ring	253.59 x 3.53	2
1025	O-ring	139.29 x 3.53	1
1037	O-ring	91.67 x 3.53	1
1054	Lip seal	80 x 55 x 10	1
1055	Lip seal	90 x 58 x 10	1
1071	O-ring	37.77 x 2.62	1
1108	O-ring	120.2 x 3.53	1

**Gasket kit, Ex version (50 Hz only)**

Pos.	Description/Kit No	95065472	
1004	cable seal, large	1	
1006	cable seal, small	1	
1007	O-ring	54.0 x 3.0	1

Pos.	Description/Kit No	95065472	
1022	O-ring	253.59 x 3.53	2
1025	O-ring	139.29 x 3.53	1
1037	O-ring	91.67 x 3.53	1
1048	Mechanical shaft seal	1	
1050	Shim	1	
1051	Retaining ring	1	
1108	O-ring	120.2 x 3.53	1

**Gear**

Pos.	Description/Kit No	Non-Ex version	Ex version
		95065493	95065496
1060	Sun wheel	1	1
1061	Retaining ring	3	3
1062	Ring gear	1	1
1063	Planet gear	3	3
1065	Roller	108	108
1066	Washer	3	3
1067	Planet carrier	1	1
1068	Planet pin	3	3
1069	Cover	1	1
1071	O-ring	1	-
1156	Washer	3	3

**Gear housing**

Pos.	Description/Kit No	95038516
1088	Gear housing	1
1090	Slotted nut	1
1091	Lock washer	1
1092	Tapered roller bearing	1
1093	Gear shaft	1
1094	Tapered roller bearing	1
1101	Drain plug with magnet	1
1102	Plug	2
1119	PTFE tape	1

**Radial seal**

Pos.	Description/Kit No	95039132	
1104	Lip seal	2	
	O-ring	120.2 x 3.53	1
1108	O-ring	225.0 x 3.0	1
	O-ring	94.92 x 2.62	1
1110	Washer	∅13 / 24 x 1.5	1

**Shaft seal**

Pos.	Description/Kit No	95065478
1095	Intermediate ring	1
1098	Mechanical shaft seal	1

**Slotted nut**

Pos.	Description/Kit No	95038523
1106	Slotted nut	2
1107	Lock washer	2

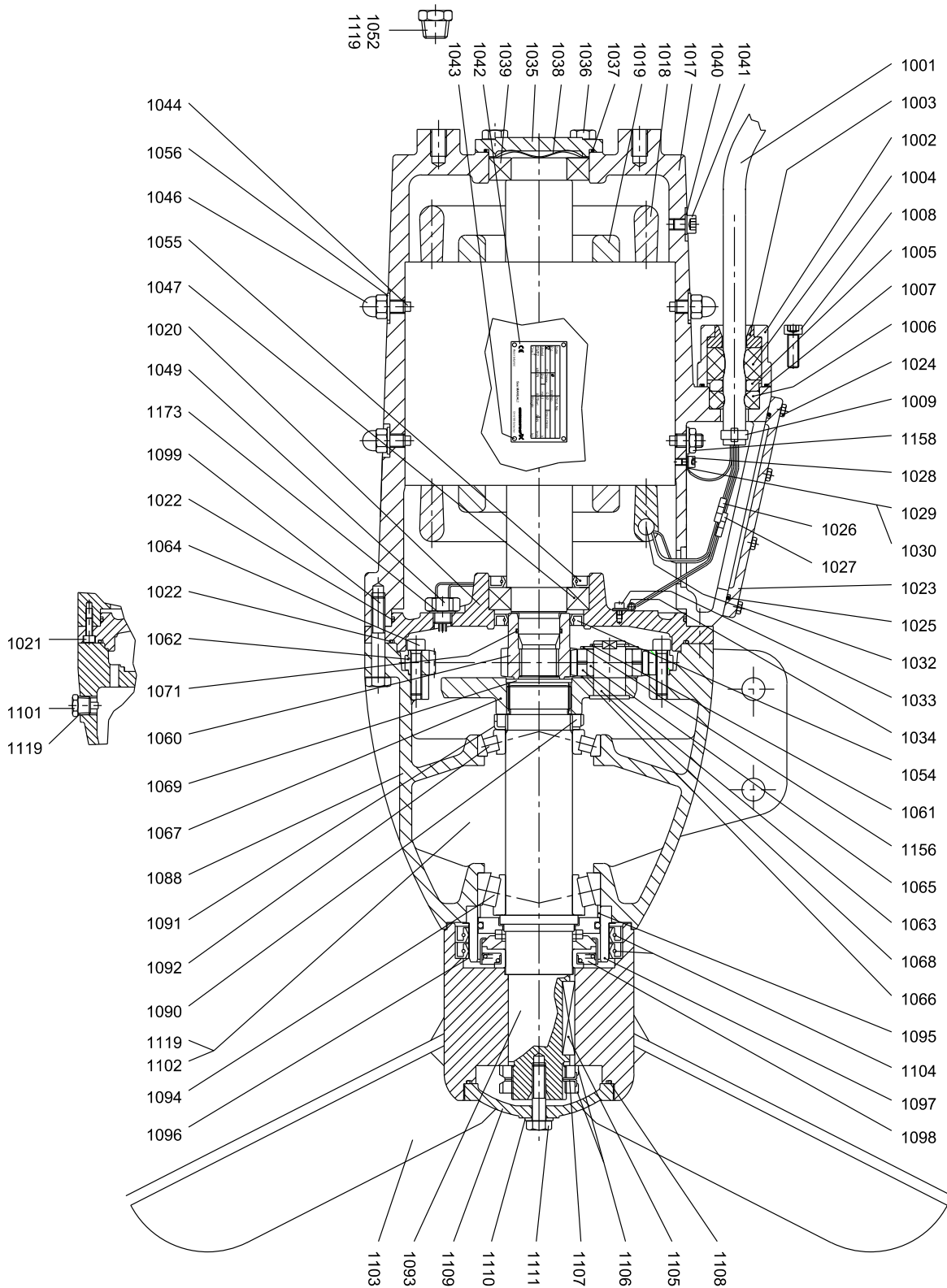
**Water-in-oil sensor**

Pos.	Description/Kit No	95038409
1049	Water-in-oil sensor	1
1173	Seal washer	1

**Wear ring**

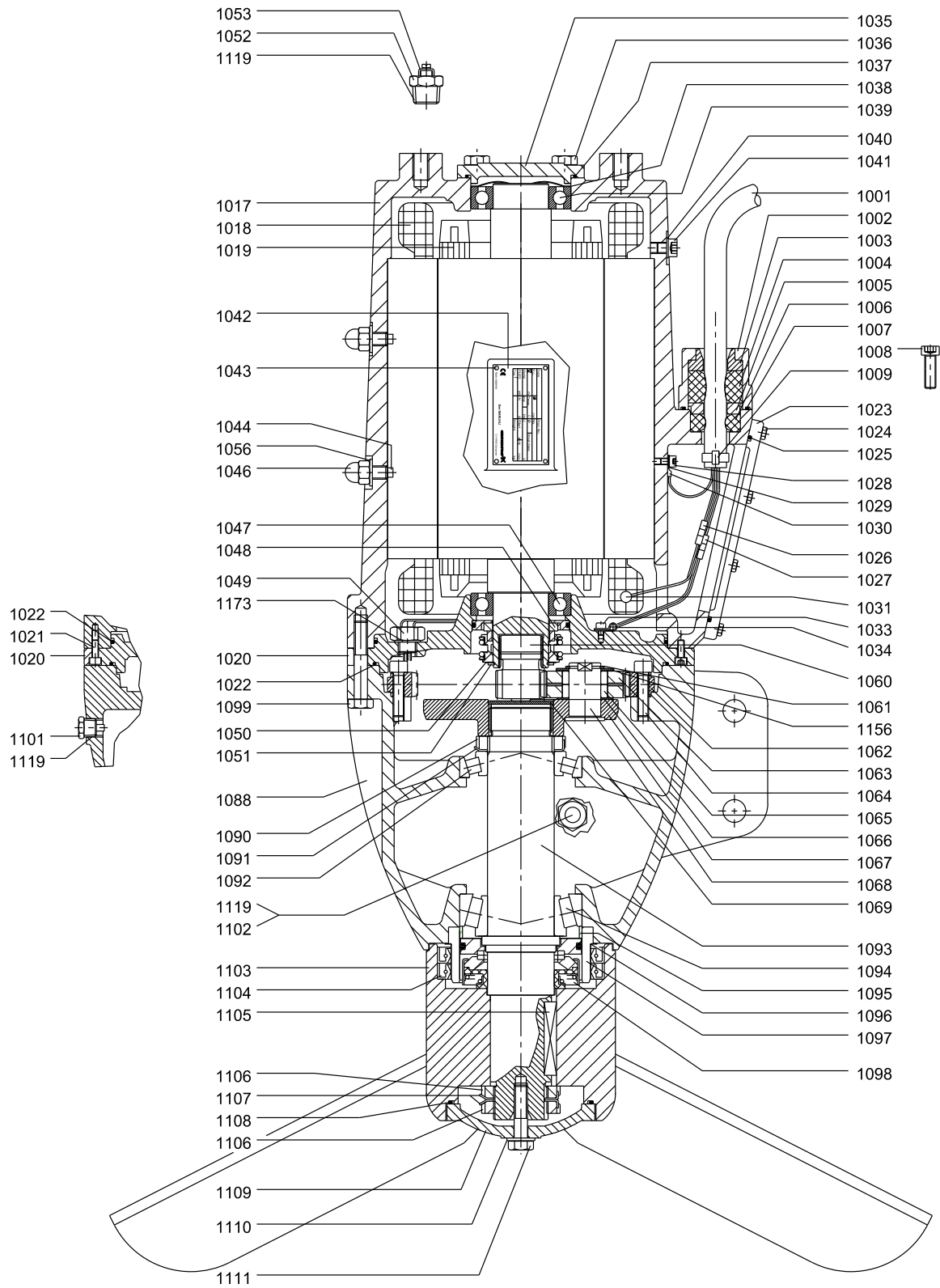
Pos.	Description/Kit No	Standard
		95037376
1097	Wear ring ceramic	1
1104	Lip seal	2
	O-ring 120.2 x 3.53	1
1108	O-ring 225.0 x 3.0	1
	O-ring 94.92 x 2.62	1

AMG non-ATEX



TM035484

AMG.150.xx.Ex - AMG.185.xx.Ex (50 Hz only)



TM035496



**Propeller, AISI 304 (50 Hz)**

Pos.	Description/Kit No	AMG.150.73 <sup>96)</sup>	AMG.185.78 <sup>96)</sup>	AMG.150.90	AMG.185.91
		95038508	95038509	95038512	95038513
1103	Propeller 15.0 kW	1	-	1	-
	Propeller 18.5 kW	-	1	-	1
1104	Lip seal	2	2	2	2
1105	Parallel key	1	1	1	1
1106	Slotted nut	2	2	2	2
1108	O-ring	1	1	1	1
1109	Hub cover	1	1	1	1
1110	Washer	1	1	1	1
1111	Hexagon head screw	1	1	1	1

<sup>96)</sup> Old version. Can be updated to the new version with higher efficiency by ordering the kit for the corresponding new version.

**Propeller, AISI 316 (50 Hz)**

Pos.	Description/Kit No	AMG.150.73 <sup>97)</sup>	AMG.185.78 <sup>97)</sup>	AMG.150.90	AMG.185.91
		95038510	95038511	95038514	95038515
1103	Propeller 15.0 kW	1	-	1	-
	Propeller 18.5 kW	-	1	-	1
1104	Lip seal	2	2	2	2
1105	Parallel key	1	1	1	1
1106	Slotted nut	2	2	2	2
1108	O-ring	1	1	1	1
1109	Hub cover	1	1	1	1
1110	Washer	1	1	1	1
1111	Hexagon head screw	1	1	1	1

<sup>97)</sup> Old version. Can be updated to the new version with higher efficiency by ordering the kit for the corresponding new version.

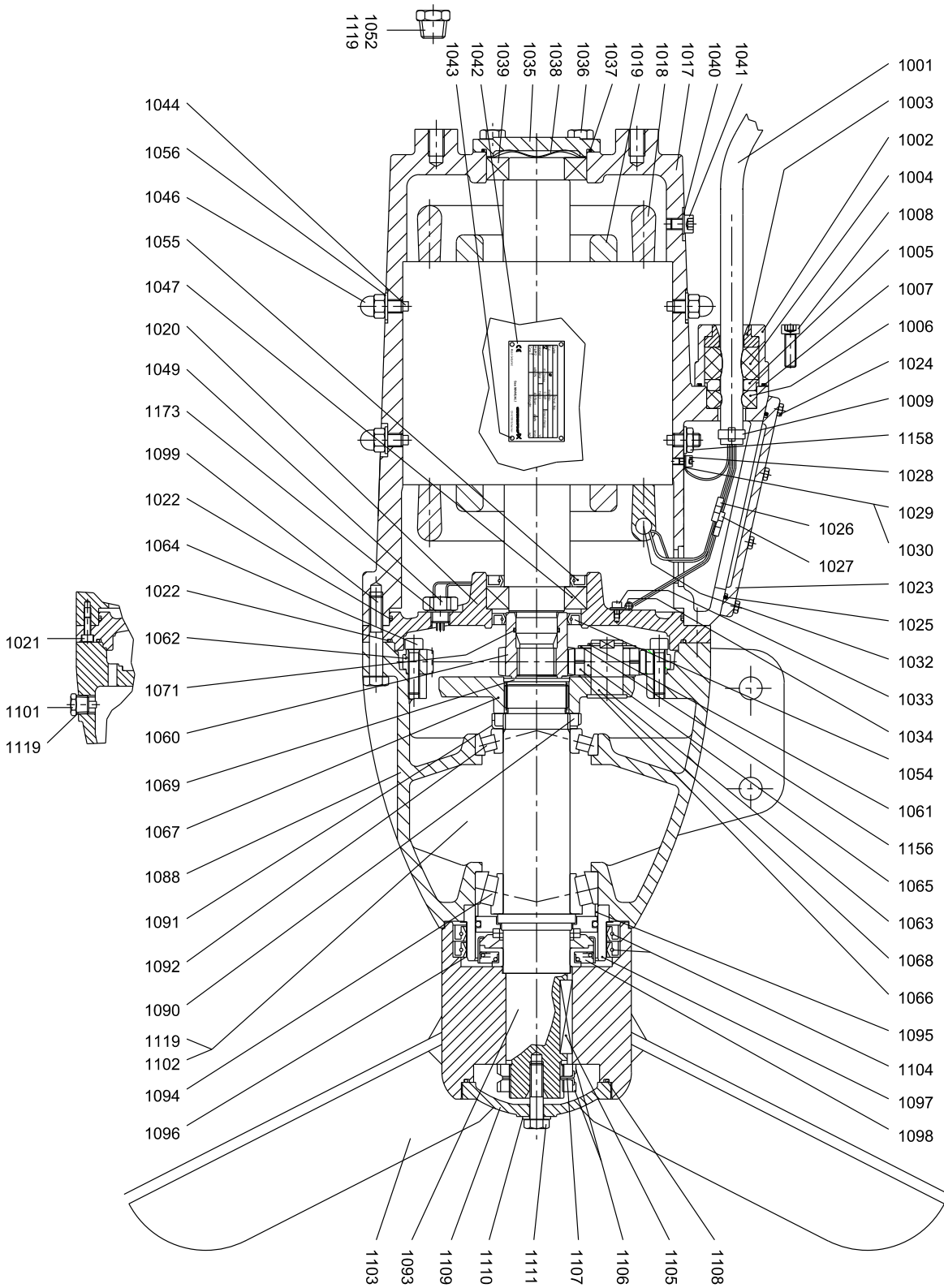
**Propeller, AISI 304 (60 Hz)**

Pos.	Description	60 Hz SI	AMG.150.75	AMG.185.75
		60 Hz US	AMG.200.30	AMG.250.30
		Kit No	95038744	95038745
1103	Propeller 15.0 kW		1	-
	Propeller 18.5 kW		-	1
1104	Lip seal		2	2
1105	Parallel key		1	1
1106	Slotted nut		2	2
1108	O-ring		1	1
1109	Hub cover		1	1
1110	Washer		1	1
1111	Hexagon head screw		1	1

**Propeller, AISI 316 (60 Hz)**

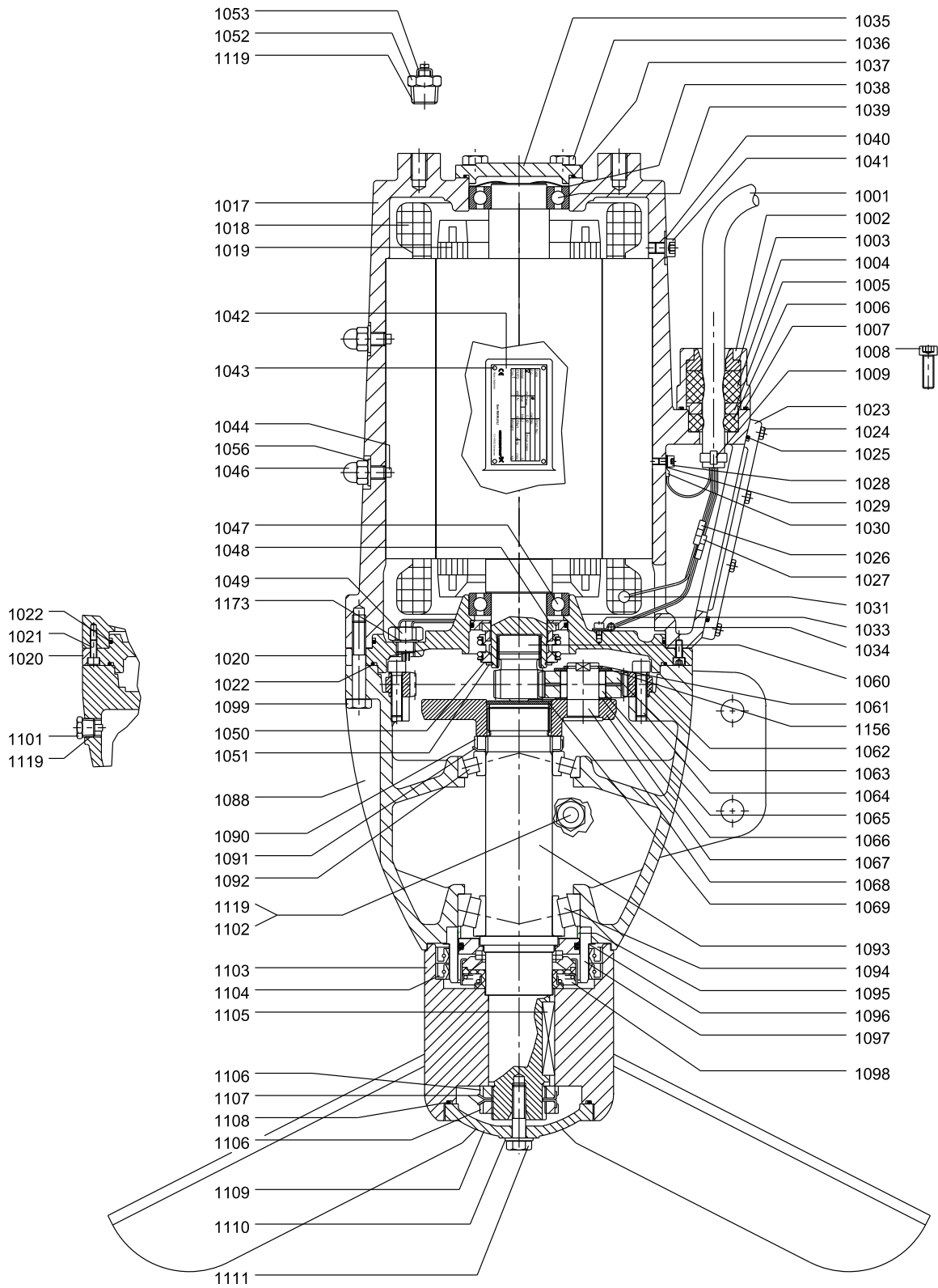
Pos.	Description	60 Hz SI	AMG.150.75	AMG.185.75
		60 Hz US	AMG.200.30	AMG.250.30
		Kit No	95038746	95038747
1103	Propeller 15.0 kW		1	-
	Propeller 18.5 kW		-	1
1104	Lip seal		2	2
1105	Parallel key		1	1
1106	Slotted nut		2	2
1108	O-ring		1	1
1109	Hub cover		1	1
1110	Washer		1	1
1111	Hexagon head screw		1	1

AMG non-ATEX



TM035484

AMG.150.xx.Ex - AMG.185.xx.Ex (50 Hz only)

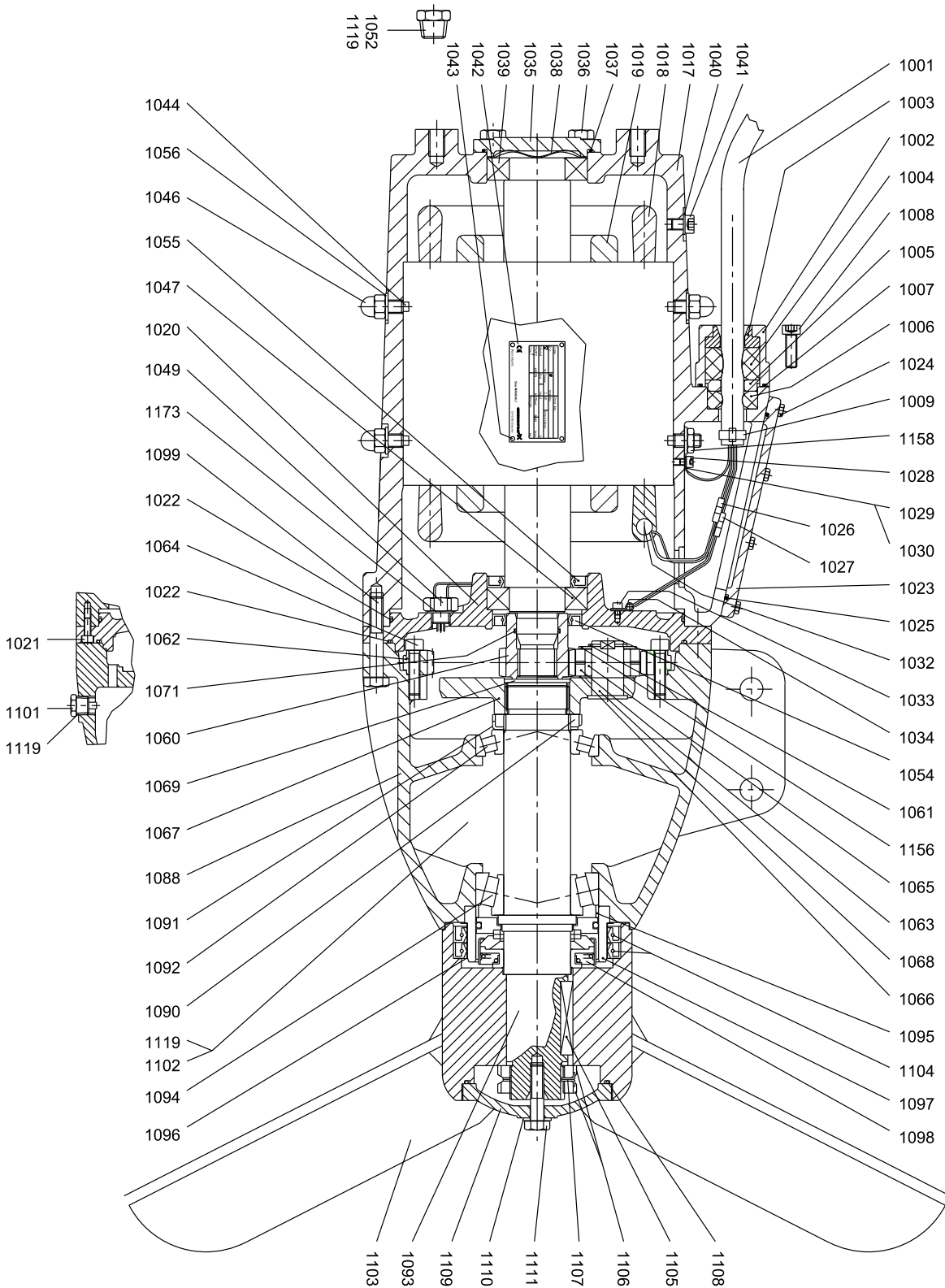


TM035496

## Motor

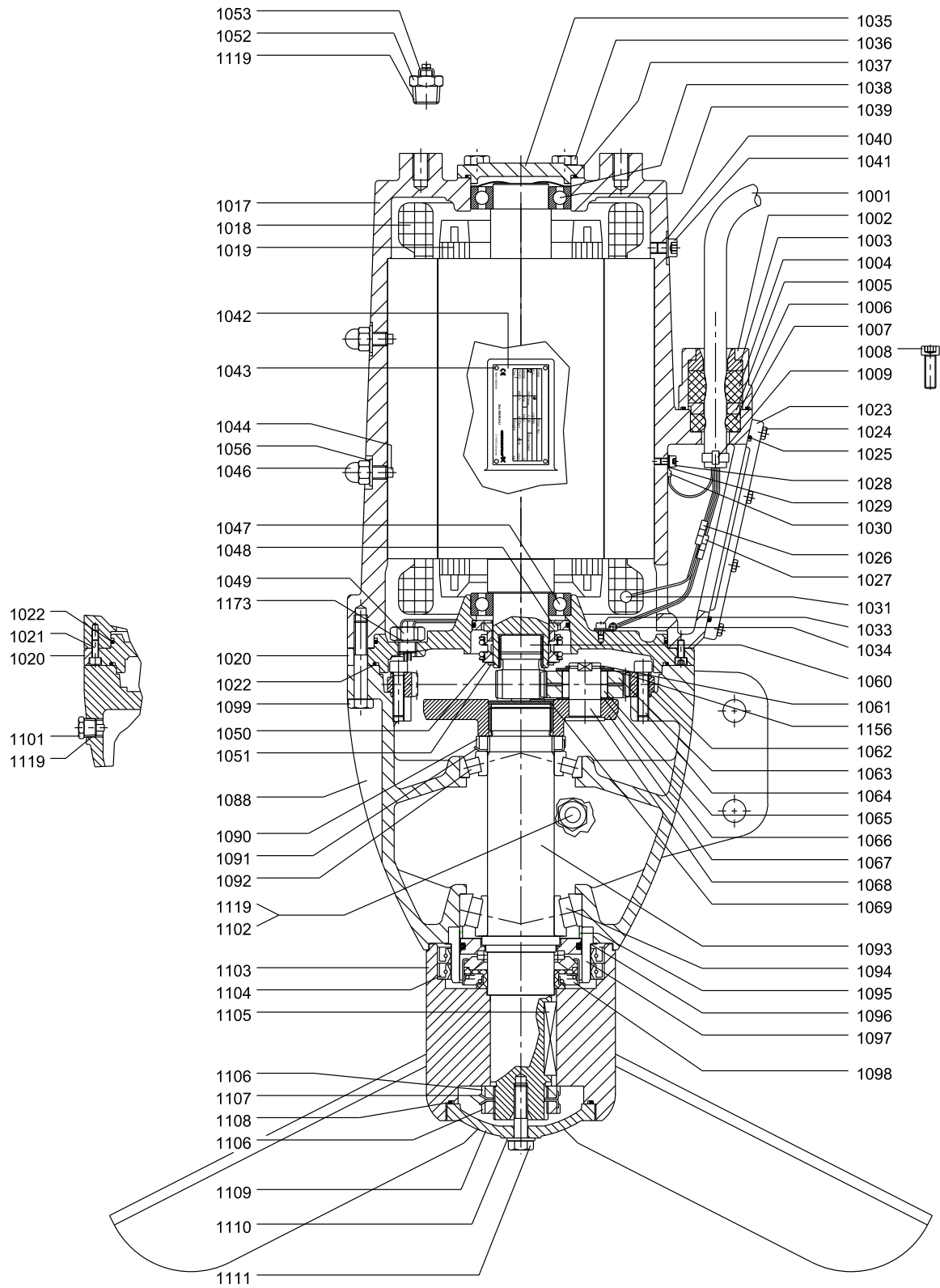
Pos.	Description	Non-Ex version		Ex version	
		50 Hz	AMG.150.xx AMG.185.xx	AMG.150.xx.Ex	AMG.xx.185.Ex
		60 Hz SI	AMG.150.xx AMG.185.xx	-	-
		60 Hz US	AMG.200.xx AMG.250.xx	-	-
		Kit No	95038517	95038518	95038519
1002	Cable flange		1	1	1
1007	O-ring		1	1	1
1008	Hexagon socket head cap screw		2	2	2
1017	Motor housing		1	1	1
	Stator 4-pole 18.5 kW / 25 Hp		1	-	-
1018	Stator 4-pole 18.0 kW Ex		-	1	-
	Stator 4-pole 22.0 kW Ex		-	-	1
	Rotor with shaft 4-pole 18.5 kW / 25 Hp		1	-	-
1019	Rotor with shaft 4-pole 18.0 kW Ex		-	1	-
	Rotor with shaft 4-pole 24.0 kW Ex		-	-	1
1020	Motor flange		1	1	1
1021	Hexagon socket head cap screw		6	6	6
1022	O-ring		2	2	2
1023	Terminal box cover		1	1	1
1024	Hexagon head screw		8	8	8
1025	O-ring		1	1	1
1028	Hexagon socket head cap screw		1	1	1
1029	Lock washer		1	1	1
1033	Hexagon socket head cap screw		1	1	1
1034	Cable clamp		1	1	1
1035	Bearing cover		1	1	1
1036	Hexagon head screw		4	4	4
1037	O-ring		1	1	1
1038	Compensation disc		1	1	1
	Ball bearing		1	-	-
1039	Ball bearing		-	1	1
1040	Washer		1	1	1
1041	Hexagon socket head cap screw		1	1	1
1044	Set screw		4	2	2
1046	Nut		3	2	2
	Ball bearing		1	-	-
1047	Ball bearing		-	1	1
1048	Mechanical shaft seal		-	1	1
1049	Water-in-oil sensor		1	1	1
1050	Shim		-	1	1
1051	Retaining ring		-	1	1
1052	Plug		1	1	1
1053	Connection for protective earthing		-	1	1
1054	Lip seal		1	-	-
1055	Lip seal		1	-	-
1056	Seal washer		4	2	2
1119	PTFE tape		1	1	1
1158	Nut		1	-	-
1173	Seal washer		1	1	1

AMG non-ATEX



TM035484

AMG.150.xx.Ex - AMG.185.xx.Ex (50 Hz only)



TM035496

**AFG****AFG.xx.130.xx (50/60 Hz) and AFG.xx.51.xx (60 Hz North America)****Bearing, motor**

Pos.	Description/Kit No	95065458
1038	Compensation disc	1
1039	Ball bearing 6206 2RS	1
1047	Ball bearing 6207 2RS	1

**Bearing, gearbox**

Pos.	Description/Kit No	95065459
1090	Slotted nut	1
1091	Lock washer	1
1092	Tapered roller bearing 30207	1
1094	Tapered roller bearing 30207	1

**Cable entry, 1.5 mm<sup>2</sup>**

Pos.	Description/Kit No	95065457
1003	Cable guide	1
1004	cable seal, large	1
1005	Thrust washer	1
1006	cable seal, small	1
1007	O-ring 37.82 x 1.78	1
1008	Hexagon socket head cap screw	2
1009	Cable relief	1
1025	O-ring 113.97 x 2.62	1
1026	Cable joint	6
1027	Cable joint	4
1030	Cable shoe	1
-	Shrink tube for connections	10

**Gear housing**

Pos.	Description/Kit No	95038404
1088	Gear housing	1
1090	Slotted nut	1
1091	Lock washer	1
1092	Tapered roller bearing	1
1093	Gear shaft	1
1094	Tapered roller bearing	1
1101	Drain plug with magnet	1
1102	Plug	2
1119	PTFE tape	1
1164	Retaining ring	1

**Gasket kit**

Pos.	Description/Kit No	95065479
1004	cable seal, large	1
1006	cable seal, small	1
1007	O-ring 37.82 x 1.78	1
1022	O-ring 158.42 x 2.62	3
1025	O-ring 113.97 x 2.62	1
1037	O-ring 63.22 x 1.78	1
1054	Lip seal 62 x 32 x 8	1

Pos.	Description/Kit No	95065479
1055	Lip seal 72 x 40 x 7	1
1071	O-ring 21.95 x 1.78	1
1157	Gasket 96 x 75 x 2	1

**Gasket kit, Ex version (50 Hz Only)**

Pos.	Description/Kit No	95065480
1004	cable seal, large	1
1006	cable seal, small	1
1007	O-ring 37.82 x 1.78	1
1022	O-ring 158.42 x 2.62	3
1025	O-ring 113.97 x 2.62	1
1037	O-ring 56.82 x 2.62	1
1048	Mechanical shaft seal	1
1050	Shim	1
1051	Retaining ring	1
1157	Gasket 96 x 75 x 2	1

**Radial seal**

Pos.	Description/Kit No	95039130
1104	Lip seal	2
	O-ring 85.0 x 2.5	1
1108	O-ring 105.0 x 3.0	1
	O-ring 184.0 x 3.0	1
1110	Washer $\varnothing 8.4 / 16 \times 1.6$	1
1157	Gasket 96 x 75 x 2	1

**Shaft seal**

Pos.	Description/Kit No	95065462
1095	Intermediate ring	1
1098	Mechanical shaft seal	1

**Slotted nut**

Pos.	Description/Kit No	95038413
1106	Slotted nut	2
1107	Lock washer	2

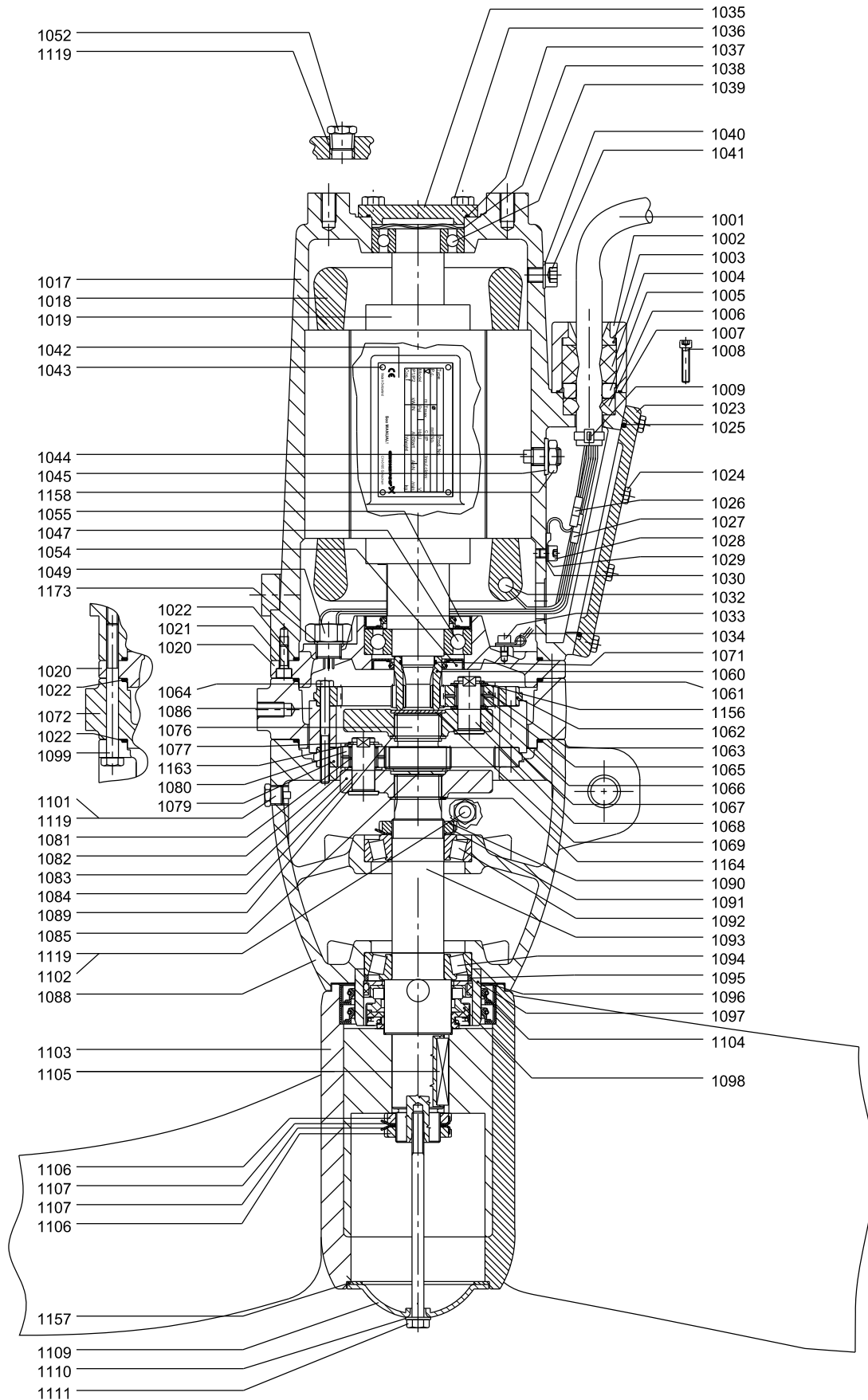
**Water-in-oil sensor**

Pos.	Description/Kit No	95038409
1049	Water-in-oil sensor	1
1173	Seal washer	1

**Wear ring**

Pos.	Description/Kit No	Standard 95037374
1097	Wear ring ceramic	1
1104	Lip seal 105 x 85 x 13	2
	O-ring 85.0 x 2.5	1
1108	O-ring 105.0 x 3.0	1
	O-ring 184.0 x 3.0	1
1157	Gasket 96 x 75 x 2	1

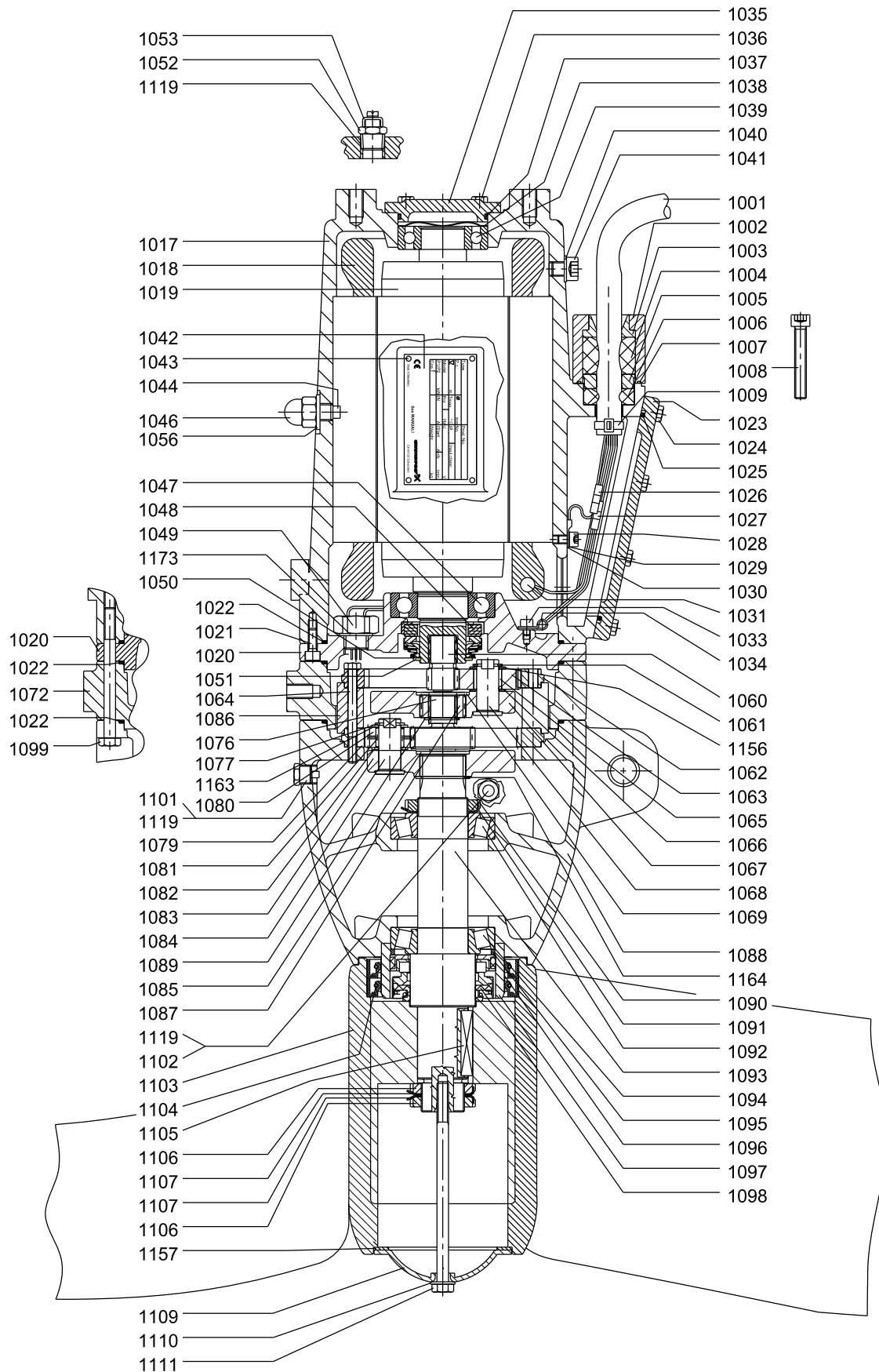
AFG non-ATEX



TM035480



AFG.xx.130.xx.Ex (50 Hz only)



TM035492

## Cable

Pos.	Description/Kit No	95038410	95038411	95038412
1001	Cable	10 m / 30 ft	15 m / 50 ft	25 m / 80 ft
1026	Cable joint	6	6	6
1027	Cable joint	4	4	4
1030	Cable shoe	1	1	1

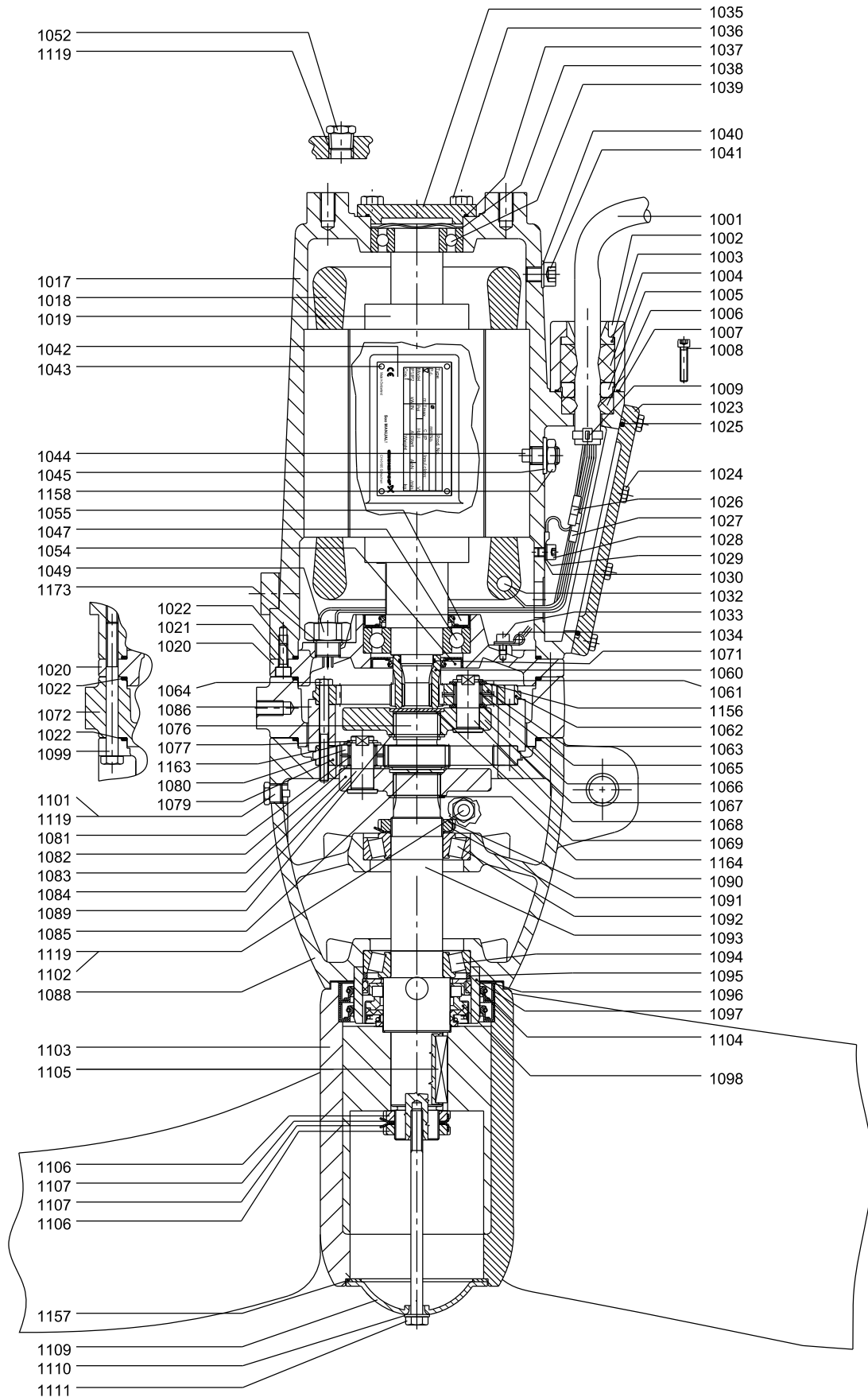
## Gear

Pos.	Description	Non-Ex version					Ex version (50 Hz only)			
		50 Hz	AFG.11.130	AFG.15.130 AFG.22.130	AFG.30.130 AFG.40.130	AFG.08.130	All	AFG.15.130 AFG.22.130	AFG.30.130 AFG.40.130	
		60 Hz SI	All	AFG.30.130 AFG.40.130	-	AFG.14.130 AFG.18.130	All	-	-	
		60 Hz US		AFG.40.51 AFG.55.51	-	AFG.19.51 AFG.24.51		-	-	
		Step 1	Step 2	Step 2	Step 2	Step 2	Step 1	Step 2	Step 2	
		Kit No	95065491	95038770	95038554	95038555	95038748	95065494	95038554	95038555
1060	Sun wheel	1	-	-	-	-	1	-	-	
1061	Retaining ring	3	-	-	-	-	3	-	-	
1062	Ring gear	1	-	-	-	-	1	-	-	
1063	Planet gear	3	-	-	-	-	3	-	-	
1065	Roller	81	-	-	-	-	81	-	-	
1066	Washer	3	-	-	-	-	3	-	-	
1067	Planet carrier	1	-	-	-	-	1	-	-	
1068	Planet pin	3	-	-	-	-	3	-	-	
1069	Cover	1	-	-	-	-	1	-	-	
1071	O-ring	1	-	-	-	-	-	-	-	
1076	Sun wheel i = 4.83	-	1	-	-	-	-	-	-	
	Sun wheel i = 4.28	-	-	1	-	-	-	1	-	
	Sun wheel i = 3.55	-	-	-	1	-	-	-	1	
	Sun wheel i = 5.6	-	-	-	-	1	-	-	-	
1077	Retaining ring A15	-	3	3	3	3	-	3	3	
1079	Ring gear Z=69	-	1	1	1	1	-	1	1	
1080	Planet gear i = 4.83	-	3	-	-	-	-	-	-	
	Planet gear i = 4.28	-	-	3	-	-	-	3	-	
	Planet gear i = 3.55	-	-	-	3	-	-	-	3	
	Planet gear i = 5.6	-	-	-	-	3	-	-	-	
1081	Roller	-	81	81	81	81	-	81	81	
1082	Washer	-	3	3	3	3	-	3	3	
1083	Planet carrier i= 4.83	-	1	-	-	-	-	-	-	
	Planet carrier i = 4.28	-	-	1	-	-	-	1	-	
	Planet carrier i = 3.55	-	-	-	1	-	-	-	1	
	Planet carrier i=5.6	-	-	-	-	1	-	-	-	
1084	Planet pin	-	3	3	3	3	-	3	3	
1085	Cover	-	1	1	1	1	-	1	1	
1087	Gear coupling	-	1	-	-	1	-	1	1	
1089	Retaining ring A32	-	1	1	1	1	-	1	1	
1156	Washer	3	-	-	-	-	3	-	-	
1163	Washer	-	3	3	3	3	-	3	3	

## Propeller

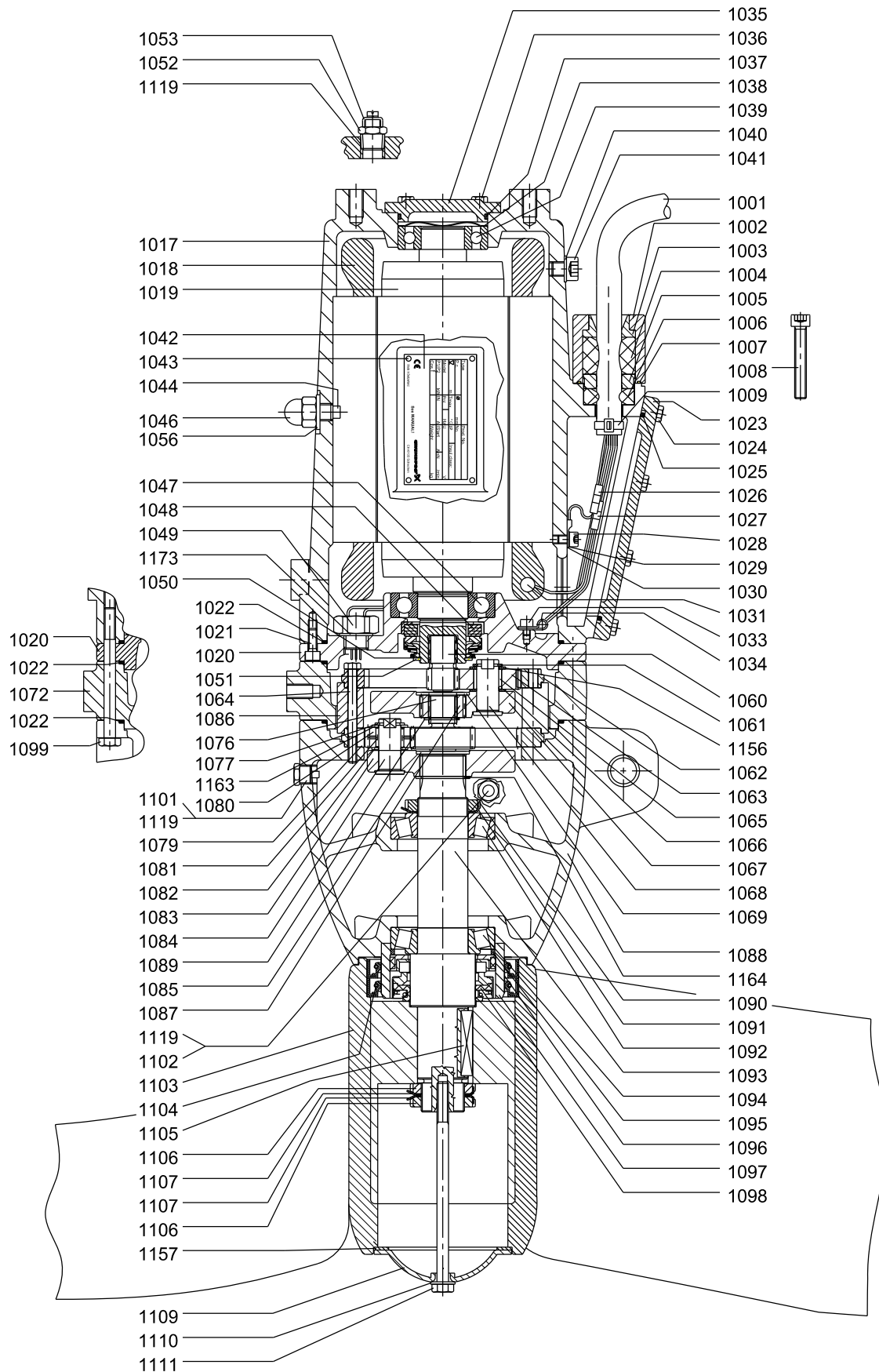
Pos.	Description	AFG.08.130				
		50 Hz	AFG.11.130			
			AFG.15.130	AFG.22.130	AFG.30.130	AFG.40.130
		60 Hz SI	AFG.14.130	AFG.18.130	AFG.30.130	AFG.40.130
		60 Hz US	AFG.19.51	AFG.24.51	AFG.40.51	AFG.55.51
Kit No	95038541	95038542	95038543	95038544		
1103	Propeller	1	1	1	1	
1104	Lip seal	2	2	2	2	
1105	Parallel key	1	1	1	1	
1106	Slotted nut	2	2	2	2	
1109	Hub cover	1	1	1	1	
1110	Washer	1	1	1	1	
1111	Hexagon head screw	1	1	1	1	
1157	Gasket	1	1	1	1	

AFG non-ATEX



TM035480

AFG.xx.130.xx.Ex (50 Hz only)

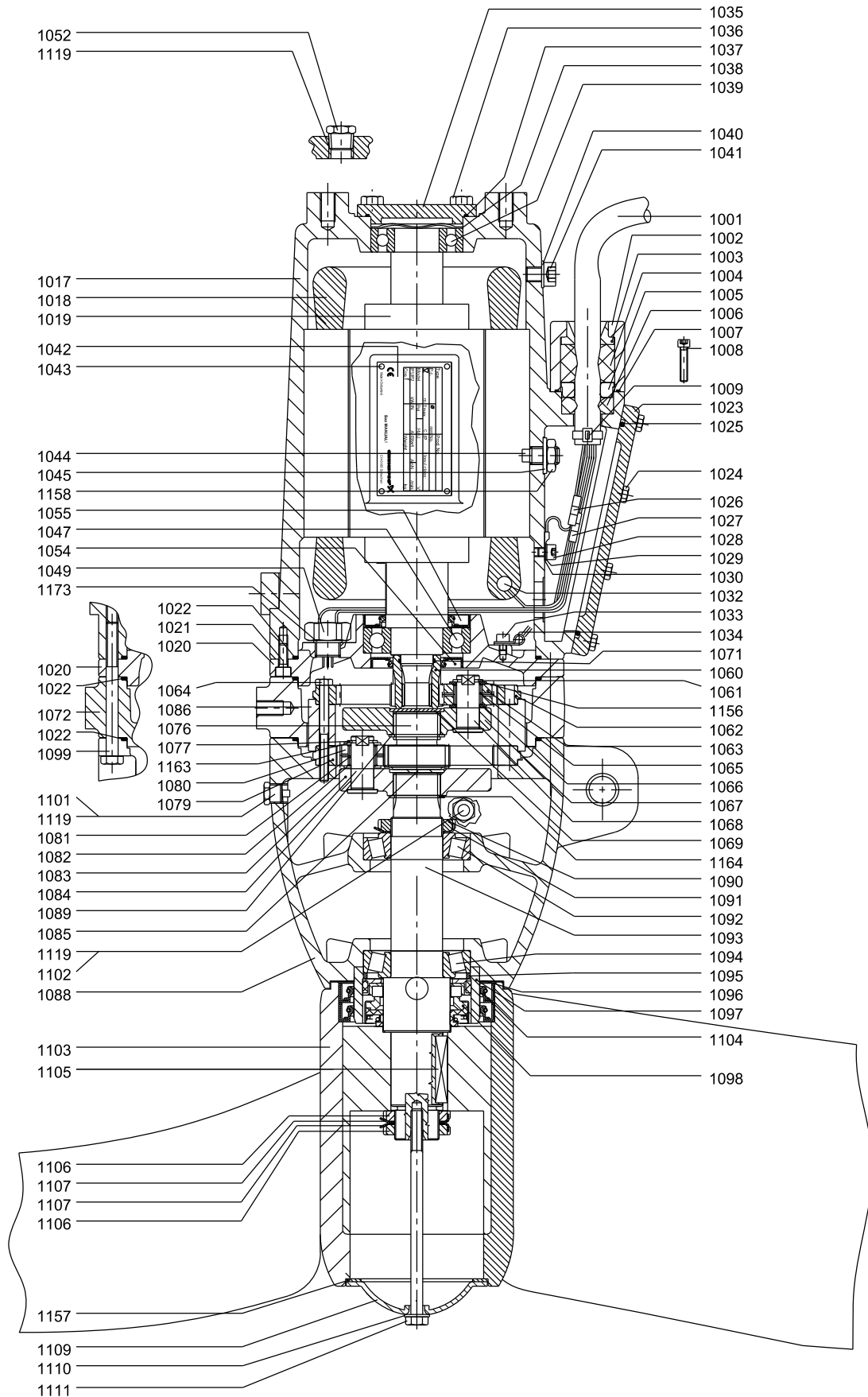


TM035492

## Motor

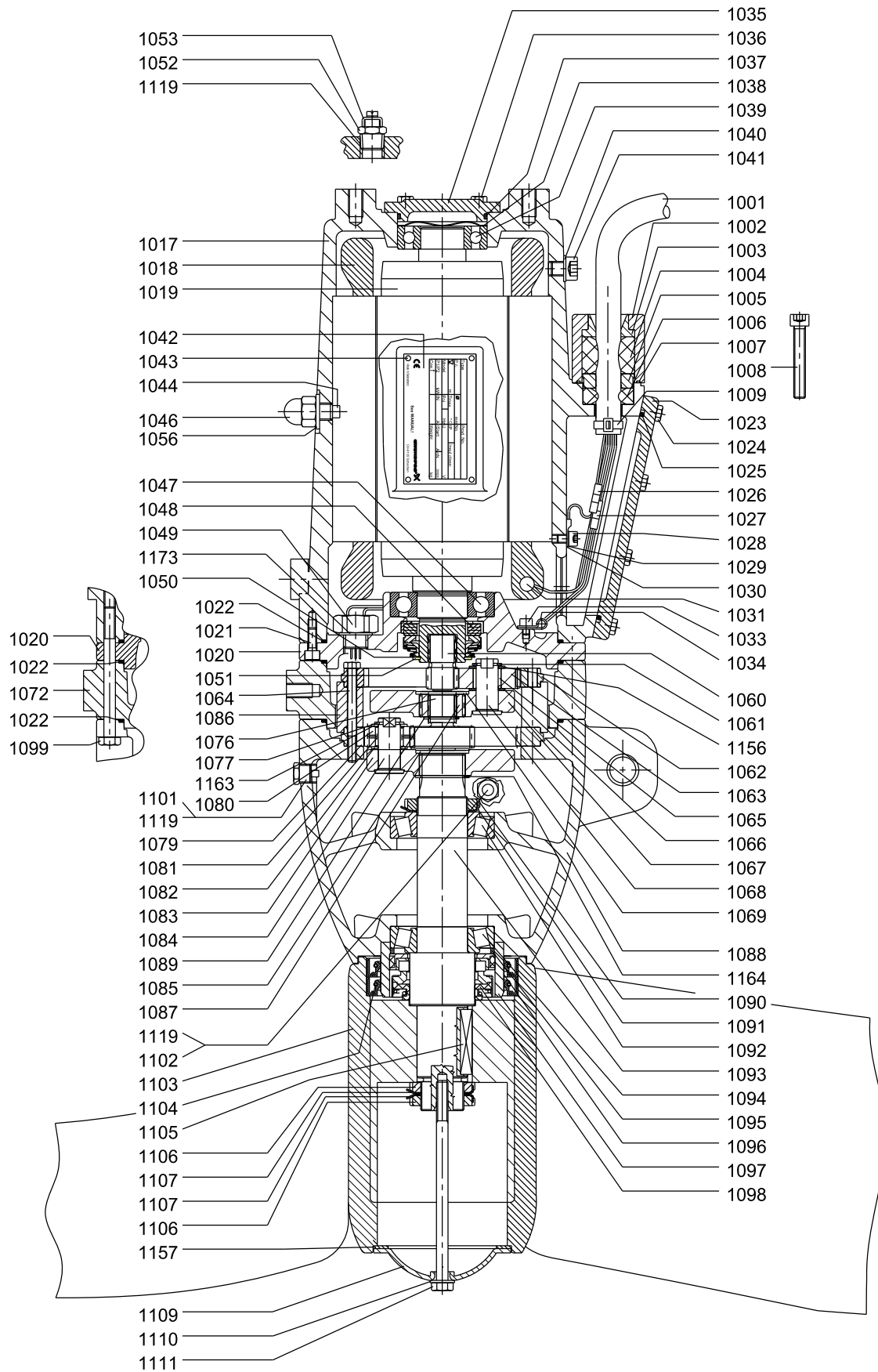
Pos.	Description	Non-Ex version		Ex version (50 Hz only)					
		50 Hz	60 Hz SI	60 Hz US	Kit No	95038405	95038406	95038407	95038408
		AFG.08.130							
		AFG.11.130							
		AFG.15.130							
		AFG.22.130							
		AFG.30.130							
		AFG.40.130							
		AFG.15.130							
		AFG.22.130							
		AFG.14.130							
		AFG.18.130							
		AFG.19.51							
		AFG.24.51							
		AFG.30.130							
		AFG.40.130							
		-							
		-							
		AFG.40.51							
		AFG.55.51							
		-							
		-							
		1	1	1	1	1	1	1	1
1002	Cable flange	1	1	1	1	1	1	1	1
1007	O-ring	1	1	1	1	1	1	1	1
1008	Hexagon socket head cap screw	2	2	2	2	2	2	2	2
1017	Motor housing	1	1	1	1	1	1	1	1
1018	Stator 4-pole	1	1	1	1	1	1	1	1
1019	Rotor with shaft 4-pole	1	1	1	1	1	1	1	1
1020	Motor flange	1	1	1	1	1	1	1	1
1021	Hexagon socket head cap screw	3	3	3	3	3	3	3	3
1022	O-ring	2	2	2	2	2	2	2	2
1023	Terminal box cover	1	1	1	1	1	1	1	1
1024	Hexagon head screw	8	8	8	8	8	8	8	8
1025	O-ring	1	1	1	1	1	1	1	1
1028	Hexagon socket head cap screw	1	1	1	1	1	1	1	1
1029	Lock washer	1	1	1	1	1	1	1	1
1033	Hexagon socket head cap screw	1	1	1	1	1	1	1	1
1034	Cable clamp	1	1	1	1	1	1	1	1
1035	Bearing cover	1	1	1	1	1	1	1	1
1036	Hexagon head screw	4	4	4	4	4	4	4	4
1037	O-ring	1	1	1	1	1	1	1	1
1038	Compensation disc	1	1	1	1	1	1	1	1
1039	Ball bearing	1	1	-	-	-	-	-	-
	Ball bearing	-	-	1	1	1	1	1	1
1040	Washer	1	1	1	1	1	1	1	1
1041	Hexagon socket head cap screw	1	1	1	1	1	1	1	1
1044	Set screw	1	1	1	1	1	1	1	1
1045	Spring washer	1	1	-	-	-	-	-	-
1046	Nut	-	-	1	1	1	1	1	1
1047	Ball bearing	1	1	-	-	-	-	-	-
	Ball bearing	-	-	1	1	1	1	1	1
1048	Mechanical shaft seal	-	-	1	1	1	1	1	1
1049	Water-in-oil sensor	1	1	1	1	1	1	1	1
1050	Shim	-	-	1	1	1	1	1	1
1051	Retaining ring	-	-	1	1	1	1	1	1
1052	Plug	1	1	1	1	1	1	1	1
1053	Connection for protective earthing	-	-	1	1	1	1	1	1
1054	Lip seal	1	1	-	-	-	-	-	-
1055	Lip seal	1	1	-	-	-	-	-	-
1056	Seal washer	-	-	1	1	1	1	1	1
1119	PTFE tape	1	1	1	1	1	1	1	1
1158	Nut	1	1	-	-	-	-	-	-
1173	Seal washer	1	1	1	1	1	1	1	1

AFG non-ATEX



TM035480

AFG.xx.130.xx.Ex (50 Hz only)



TM035492



## AFG.xx.180.xx (50/60 Hz) and AFG.xx.71.xx (60 Hz North America)

## Bearing, motor

Pos.	Description/Kit No	95065458
1038	Compensation disc	1
1039	Ball bearing 6206 2RS	1
1047	Ball bearing 6207 2RS	1

## Bearing, gearbox

Pos.	Description/Kit No	95065467
1090	Slotted nut; elastic stop	1
1092	Tapered roller bearing 30209	1
1094	Tapered roller bearing 32209	1

Cable entry, 1.5 mm<sup>2</sup>

Pos.	Description/Kit No	95065457
1003	Cable guide	1
1004	cable seal, large	1
1005	Thrust washer	1
1006	cable seal, small	1
1007	O-ring 37.82 x 1.78	1
1008	Hexagon socket head cap screw	2
1009	Cable relief	1
1025	O-ring 113.97 x 2.62	1
1026	Cable joint	6
1027	Cable joint	4
1030	Cable shoe	1
-	Shrink tube for connections	10

## Gear housing

Pos.	Description/Kit No	95038481
1088	Gear housing	1
1089	Retaining ring	1
1090	Slotted nut; elastic stop	1
1092	Tapered roller bearing	1
1093	Gear shaft	1
1094	Tapered roller bearing	1
1101	Drain plug with magnet	1
1102	Plug	2
1119	PTFE tape	1

## Gasket kit

Pos.	Description/Kit No	95065482
1004	cable seal, large	1
1006	cable seal, small	1
1007	O-ring 37.82 x 1.78	1
1022	O-ring 158.42 x 2.62	2
1025	O-ring 113.97 x 2.62	1
1037	O-ring 63.22 x 1.78	1
1054	Lip seal 62 x 32 x 8	1
1055	Lip seal 72 x 40 x 7	1

Pos.	Description/Kit No	95065482
1071	O-ring 21.95 x 1.78	1
1073	O-ring 215.57 x 2.62	1
1157	Gasket 96 x 75 x 2	1

## Gasket kit, Ex version (50 Hz only)

Pos.	Description/Kit No	95065483
1004	cable seal, large	1
1006	cable seal, small	1
1007	O-ring 37.82 x 1.78	1
1022	O-ring 158.42 x 2.62	2
1025	O-ring 113.97 x 2.62	1
1037	O-ring 56.82 x 2.62	1
1048	Mechanical shaft seal	1
1050	Shim	1
1051	Retaining ring	1
1073	O-ring 215.57 x 2.62	1
1157	Gasket 96 x 75 x 2	1

## Radial seal

Pos.	Description/Kit No	95039131
1104	Lip seal 120 x 100 x 12	2
	O-ring 94.92 x 2.62	1
1108	O-ring 184.0 x 3.0	1
	O-ring 225.0 x 3.0	1
1110	Washer $\varnothing$ 10.5 / 20 x 2	1
1157	Gasket 96 x 75 x 2	1

## Shaft seal

Pos.	Description/Kit No	95065470
1098	Mechanical shaft seal	1

## Slotted nut

Pos.	Description/Kit No	95038489
1106	Slotted nut	2
1107	Lock washer	2

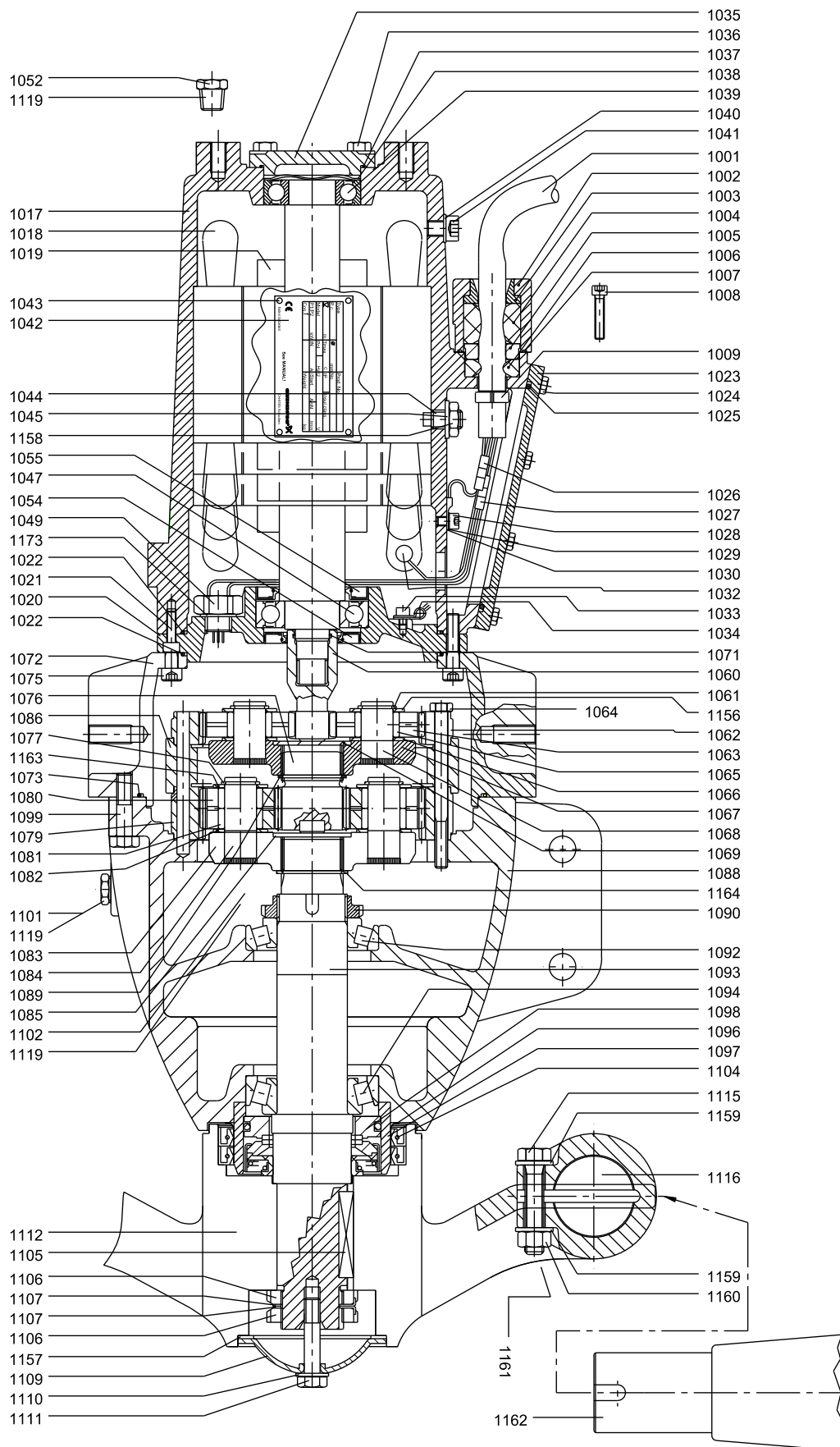
## Water-in-oil sensor

Pos.	Description/Kit No	95038409
1049	Water-in-oil sensor	1
1173	Seal washer	1

## Wear ring

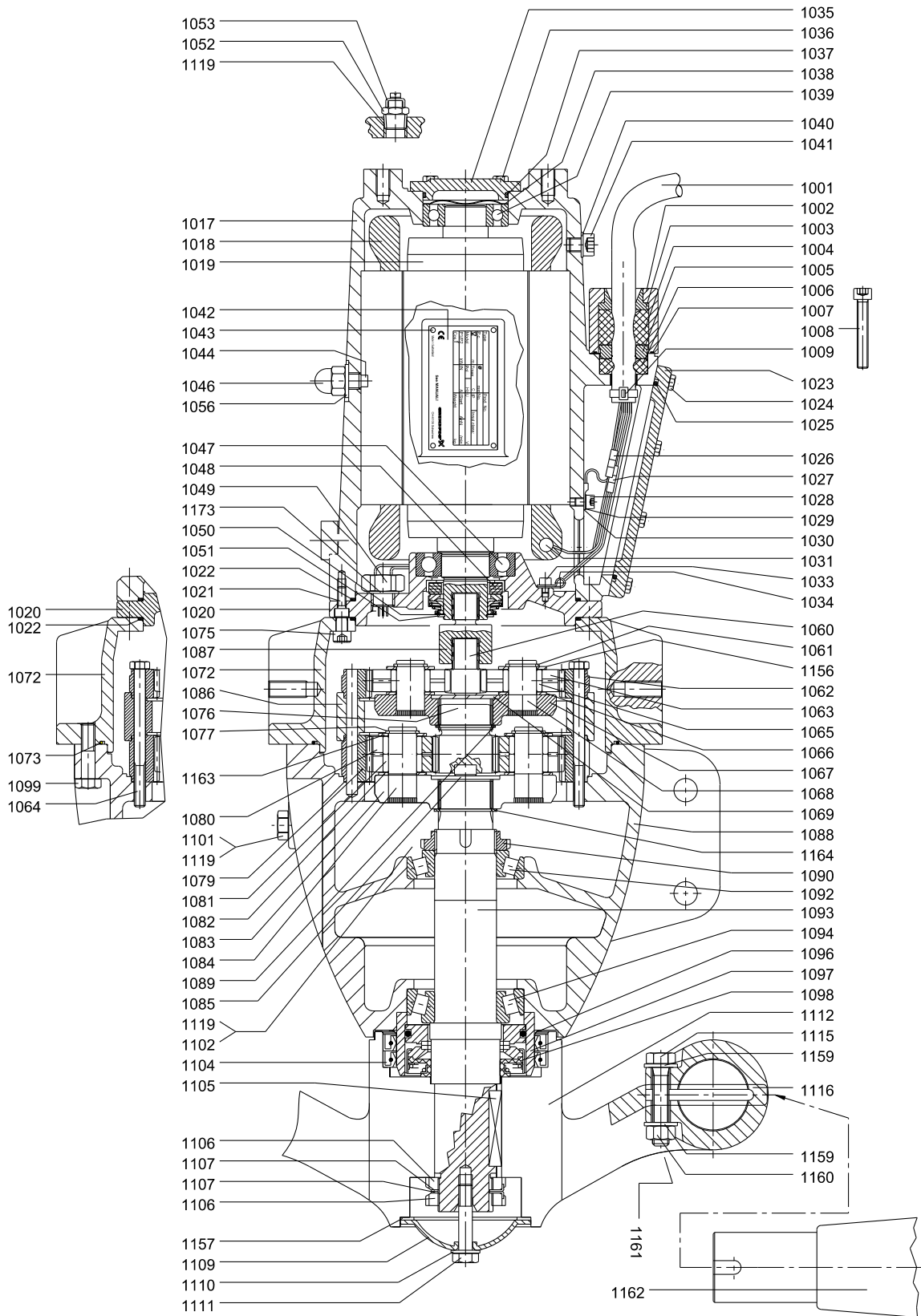
Pos.	Description/Kit No	Standard 95037375
1097	Wear ring ceramic	1
1104	Lip seal 120 x 100 x 12	2
	O-ring 94.92 x 2.62	1
1108	O-ring 184.0 x 3.0	1
	O-ring 225.0 x 3.0	1
1157	Gasket 96 x 75 x 2	1

AFG non-ATEX



TM035482

AFG.xx.180.xx.Ex (50 Hz only)



TM035494

## Cable

Pos.	Description/Kit No	95038410	95038411	95038412
1001	Cable	10 m / 30 ft	15 m / 50 ft	25 m / 80 ft
1026	Cable joint	6	6	6
1027	Cable joint	4	4	4
1030	Cable shoe	1	1	1

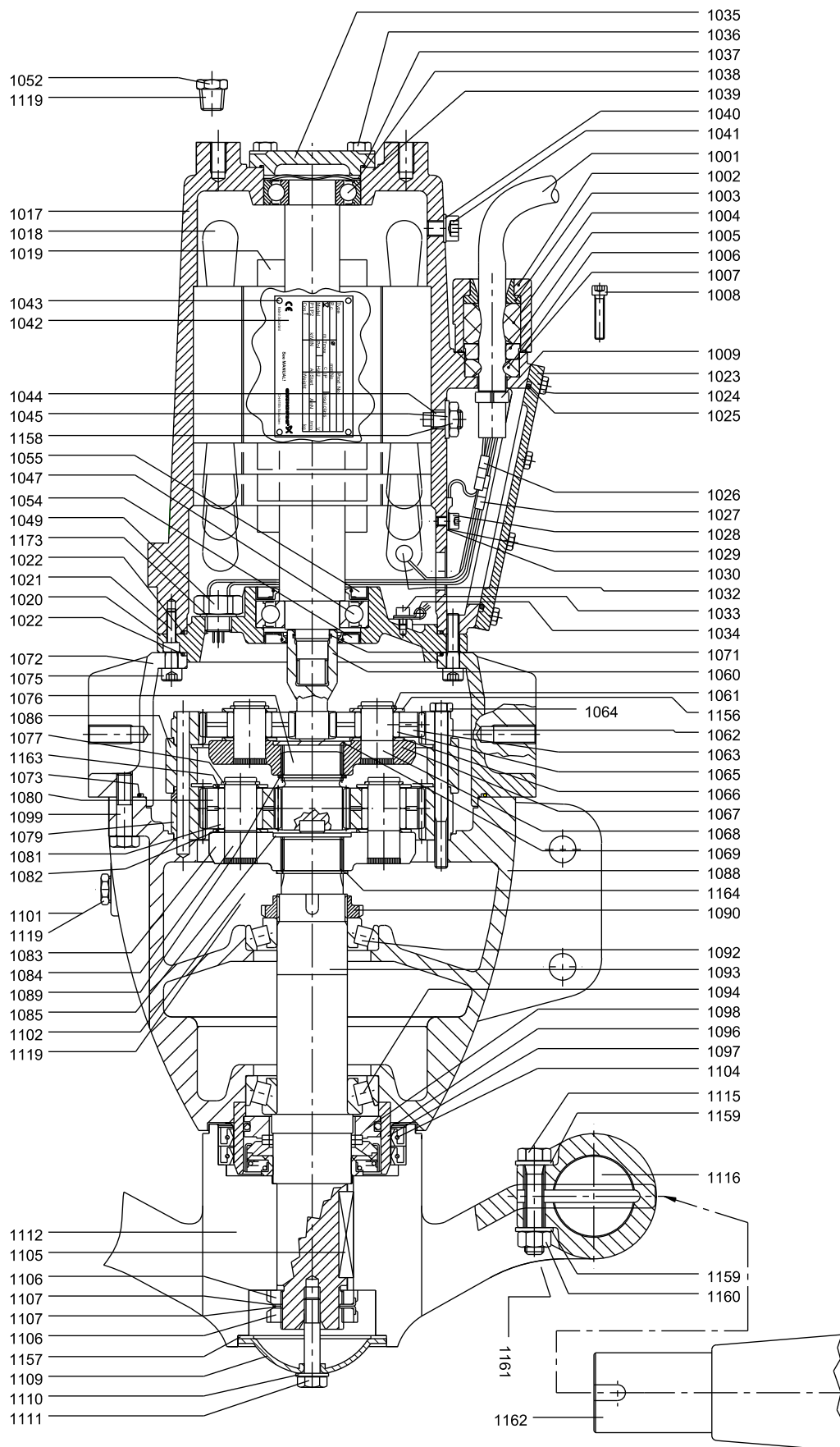
## Gear

Pos.	Description	Step 1			Step 2				
		50 Hz	All	All	AFG.13.180	-	AFG.18.180	AFG.24.180	AFG.37.180
		60 Hz SI	Non-Ex versions	Ex versions	AFG.18.180	AFG.13.180	AFG.27.180	AFG.37.180	-
		60 Hz US			AFG.24.71	AFG.17.71	AFG.36.71	AFG.50.71	-
		Kit No	95038580	95038581	95038585	95038749	95038584	95038583	95038582
1060	Sun wheel	1	1	-	-	-	-	-	
1061	Retaining ring	3	3	-	-	-	-	-	
1062	Ring gear	1	1	-	-	-	-	-	
1063	Planet gear	3	3	-	-	-	-	-	
1065	Roller	57	57	-	-	-	-	-	
1066	Washer	3	3	-	-	-	-	-	
1067	Planet carrier	1	1	-	-	-	-	-	
1068	Planet pin	3	3	-	-	-	-	-	
1069	Cover	1	1	-	-	-	-	-	
1071	O-ring	1	-	-	-	-	-	-	
	Sun wheel i = 5.6	-	-	1	-	-	-	-	
	Sun wheel i = 4.83	-	-	-	-	1	-	-	
1076	Sun wheel i = 4.28	-	-	-	-	-	1	-	
	Sun wheel i = 3.55	-	-	-	-	-	-	1	
	Sun wheel i = 6.75	-	-	-	1	-	-	-	
1077	Retaining ring A 20	-	-	3	3	3	3	3	
1079	Ring gear Z=69	-	-	1	1	1	1	1	
	Planet gear i = 5.6	-	-	3	-	-	-	-	
	Planet gear i = 4.83	-	-	-	-	3	-	-	
1080	Planet gear i = 4.28	-	-	-	-	-	3	-	
	Planet gear i = 3.55	-	-	-	-	-	-	3	
	Planet gear i = 6.75	-	-	-	3	-	-	-	
1081	Roller	-	-	114	114	114	114	114	
1082	Washer 2 mm	-	-	3	3	3	3	3	
	Planet carrier i = 5.6	-	-	1	-	-	-	-	
	Planet carrier i = 4.83	-	-	-	-	1	-	-	
1083	Planet carrier i = 4.28	-	-	-	-	-	1	-	
	Planet carrier i = 3.55	-	-	-	-	-	-	1	
	Planet carrier i = 6.75	-	-	-	1	-	-	-	
1084	Planet pin	-	-	3	3	3	3	3	
1085	Cover	-	-	1	1	1	1	1	
1087	Gear coupling	-	1	-	-	-	-	-	
1089	Retaining ring	-	-	1	1	1	1	1	
1156	Washer	3	3	-	-	-	-	-	
1163	Washer 2 mm	-	-	3	3	3	3	3	

**Propeller**

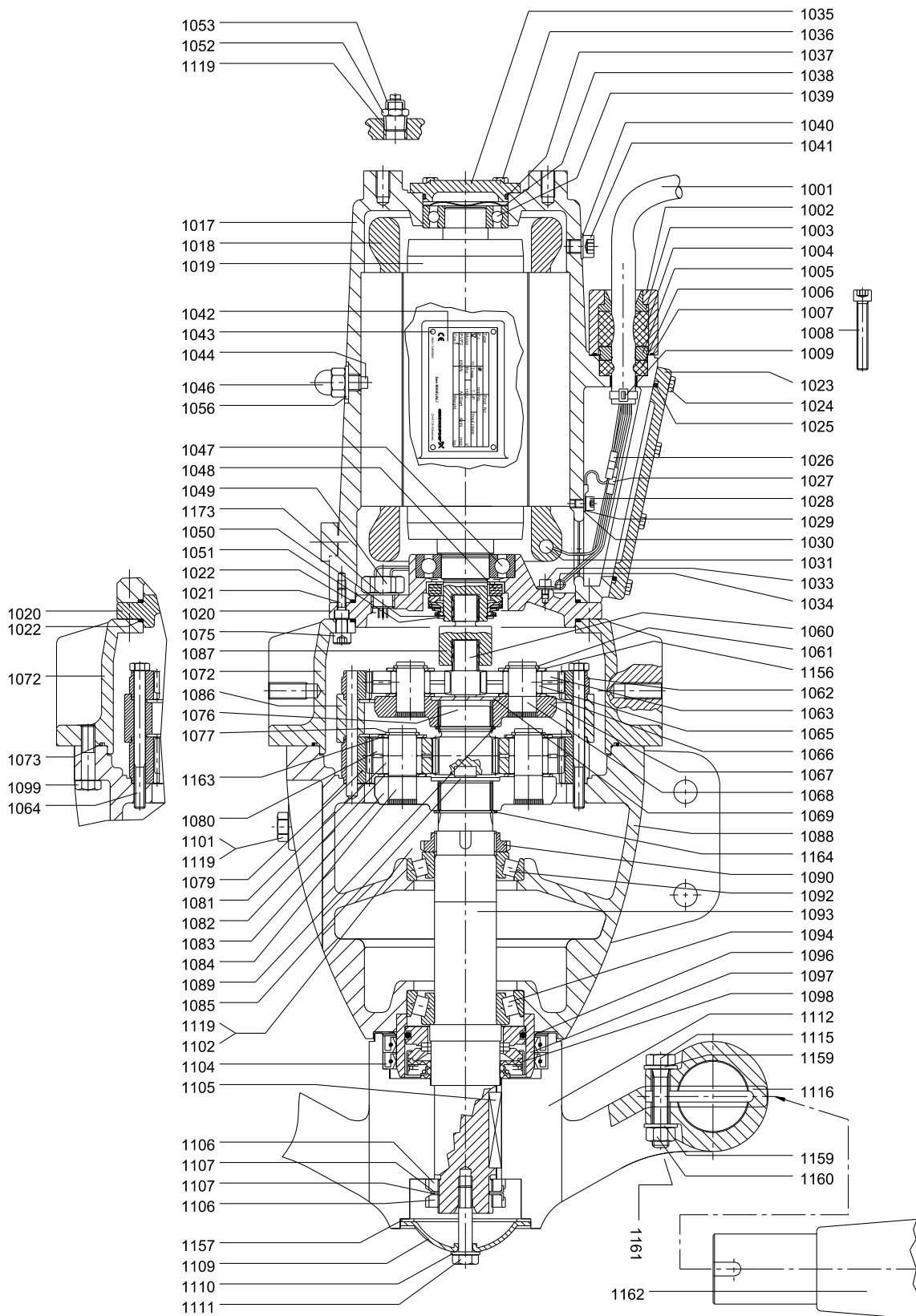
Pos.	Description/Kit No	95038558
1104	Lip seal	2
1105	Parallel key	1
1106	Slotted nut	2
1109	Hub cover	1
1110	Washer	1
1111	Hexagon head screw	1
1112	Hub (2 blades)	1
1115	Hexagon head screw	4
1116	Grooved pin	2
1157	Gasket	1
1159	Washer	8
1160	Nut	4
1161	Hexagon head screw	2
1162	Propeller blade type III / 95	2

AFG non-ATEX



TM035482

AFG.xx.180.xx.Ex (50 Hz only)



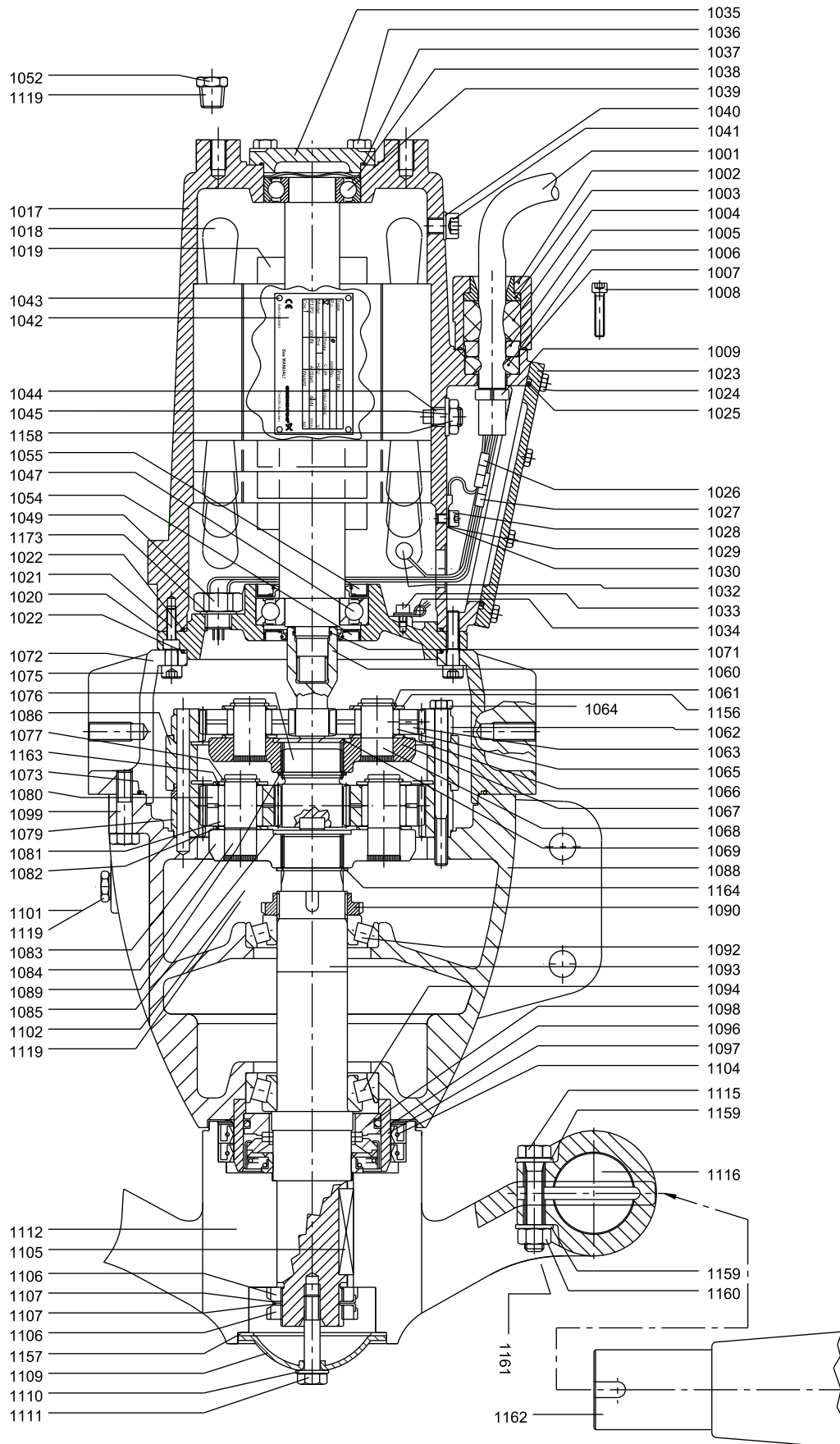
TM035494

## Motor

Pos.	Description	Non-Ex version		Ex version ( 50 Hz only)		
		50 Hz	AFG.13.180 AFG.18.180	AFG.24.180 AFG.37.180	AFG.13.180 AFG.18.180	AFG.24.180 AFG.37.180
		60 Hz SI	AFG.13.180 AFG.18.180	AFG.27.180 AFG.37.180	-	-
		60 Hz US	AFG.17.71 AFG.24.71	AFG.36.71 AFG.50.71	-	-
		Kit No	95038405	95038406	95038407	95038408
1002	Cable flange		1	1	1	1
1007	O-ring		1	1	1	1
1008	Hexagon socket head cap screw		2	2	2	2
1017	Motor housing		1	1	1	1
1018	Stator 4-pole		1	1	1	1
1019	Rotor with shaft 4-pole		1	1	1	1
1020	Motor flange		1	1	1	1
1021	Hexagon socket head cap screw		3	3	3	3
1022	O-ring		2	2	2	2
1023	Terminal box cover		1	1	1	1
1024	Hexagon head screw		8	8	8	8
1025	O-ring		1	1	1	1
1028	Hexagon socket head cap screw		1	1	1	1
1029	Lock washer		1	1	1	1
1033	Hexagon socket head cap screw		1	1	1	1
1034	Cable clamp		1	1	1	1
1035	Bearing cover		1	1	1	1
1036	Hexagon head screw		4	4	4	4
1037	O-ring		1	1	1	1
1038	Compensation disc		1	1	1	1
1039	Ball bearing		1	1	-	-
	Ball bearing		-	-	1	1
1040	Washer		1	1	1	1
1041	Hexagon socket head cap screw		1	1	1	1
1044	Set screw		1	1	1	1
1045	Spring washer		1	1	-	-
1046	Nut		-	-	1	1
1047	Ball bearing		1	1	-	-
	Ball bearing		-	-	1	1
1048	Mechanical shaft seal		-	-	1	1
1049	Water-in-oil sensor		1	1	1	1
1050	Shim		-	-	1	1
1051	Retaining ring		-	-	1	1
1052	Plug		1	1	1	1
1053	Connection for protective earthing		-	-	1	1
1054	Lip seal		1	1	-	-
1055	Lip seal		1	1	-	-
1056	Seal washer		-	-	1	1
1119	PTFE tape		1	1	1	1
1158	Nut		1	1	-	-
1173	Seal washer		1	1	1	1

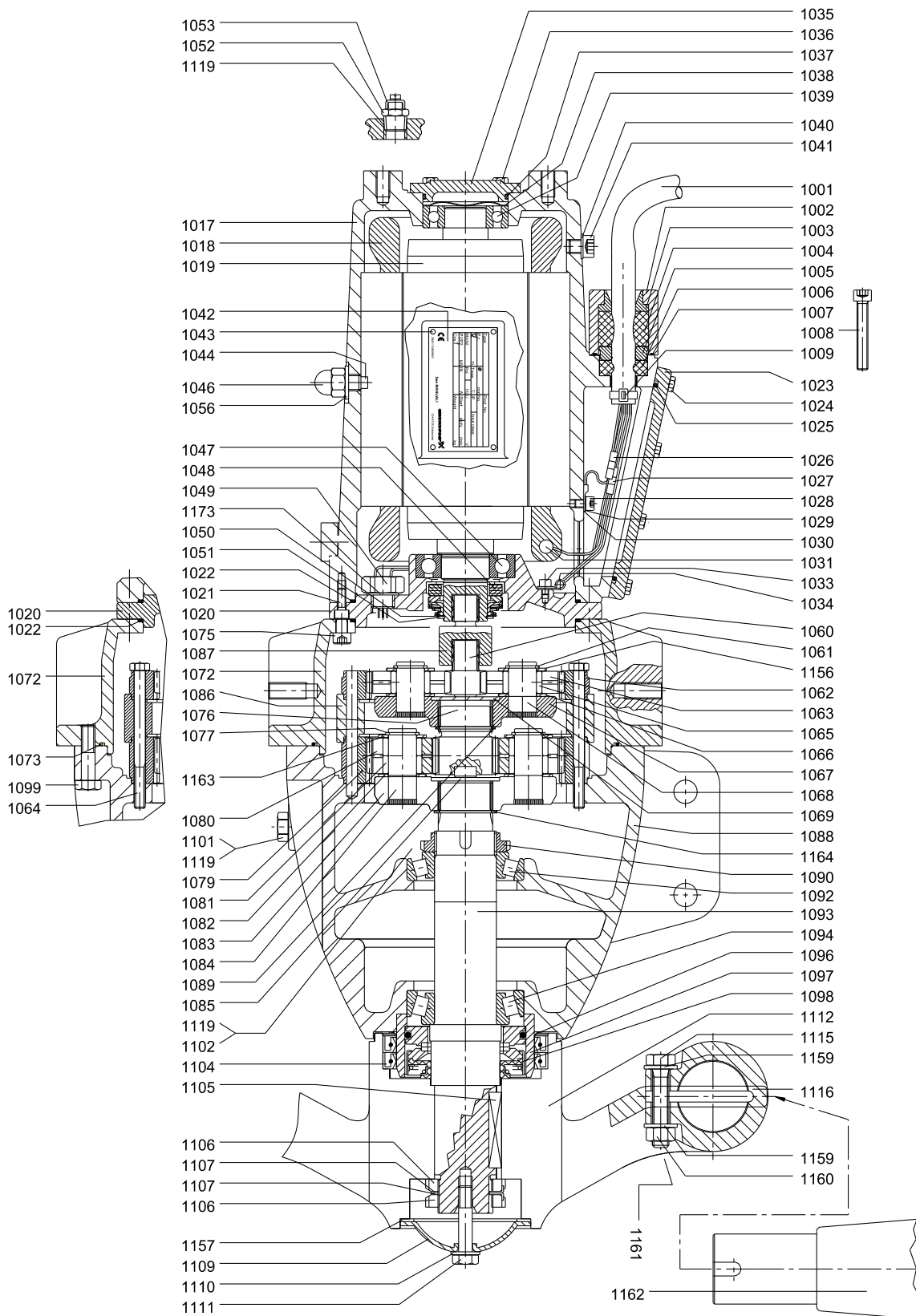


AFG non-ATEX



TM035482

AFG.xx.180.xx.Ex (50 Hz only)



TM035494

## AFG.xx.230.xx (50/60 Hz) and AFG.xx.91.xx (60 Hz North America)

## Bearing, motor

Pos.	Description/Kit No	95065458
1038	Compensation disc	1
1039	Ball bearing 6206 2RS	1
1047	Ball bearing 6207 2RS	1

## Bearing, gearbox

Pos.	Description/Kit No	95065467
1090	Slotted nut; elastic stop	1
1092	Tapered roller bearing 30209	1
1094	Tapered roller bearing 32209	1

Cable entry, 1.5 mm<sup>2</sup>

Pos.	Description/Kit No	95065477
1003	Cable guide	1
1004	cable seal, large	1
1005	Thrust washer	1
1006	cable seal, small	1
1007	O-ring 37.82 x 1.78	1
1008	Hexagon socket head cap screw	2
1009	Cable relief	1
1025	O-ring 113.97 x 2.62	1
1026	Cable joint	6
1027	Cable joint	4
1030	Cable shoe	1
-	Shrink tube for connections	10

## Cable

Pos.	Description/Kit No	95038410	95038411	95038412
1001	Cable	10 m /30 ft	15 m/50 ft	25 m/80 ft
1026	Cable joint	6	6	6
1027	Cable joint	4	4	4
1030	Cable shoe	1	1	1

## Gear housing

Pos.	Description/Kit No	95038481
1088	Gear housing	1
1090	Slotted nut; elastic stop	1
1092	Tapered roller bearing	1
1093	Gear shaft	1
1094	Tapered roller bearing	1
1101	Drain plug with magnet	1
1102	Plug	2
1119	PTFE tape	1
1164	Retaining ring A 40	1

## Gasket kit

Pos.	Description/Kit No	95065482
1004	cable seal, large	1
1006	cable seal, small	1
1007	O-ring 37.82 x 1.78	1
1022	O-ring 158.42 x 2.62	2
1025	O-ring 113.97 x 2.62	1

Pos.	Description/Kit No	95065482
1037	O-ring 63.22 x 1.78	1
1054	Lip seal 62 x 32 x 8	1
1055	Lip seal 72 x 40 x 7	1
1071	O-ring 21.95 x 1.78	1
1073	O-ring 215.57 x 2.62	1
1157	Gasket 96 x 75 x 2	1

## Gasket kit, Ex version (50 Hz only)

Pos.	Description/Kit No	95065483
1004	cable seal, large	1
1006	cable seal, small	1
1007	O-ring 37.82 x 1.78	1
1022	O-ring 158.42 x 2.62	2
1025	O-ring 113.97 x 2.62	1
1037	O-ring 56.82 x 2.62	1
1048	Mechanical shaft seal	1
1050	Shim	1
1051	Retaining ring	1
1073	O-ring 215.57 x 2.62	1
1157	Gasket 96 x 75 x 2	1

## Radial seal

Pos.	Description/Kit No	95039131
1104	Lip seal 120 x 100 x 12	2
	O-ring 94.92 x 2.62	1
1108	O-ring 184.0 x 3.0	1
	O-ring 225.0 x 3.0	1
1110	Washer $\varnothing$ 10.5 / 20 x 2	1
1157	Gasket 96 x 75 x 2	1

## Shaft seal

Pos.	Description/Kit No	95065470
1098	Mechanical shaft seal	1

## Slotted nut

Pos.	Description/Kit No	95038489
1106	Slotted nut	2
1107	Lock washer	2

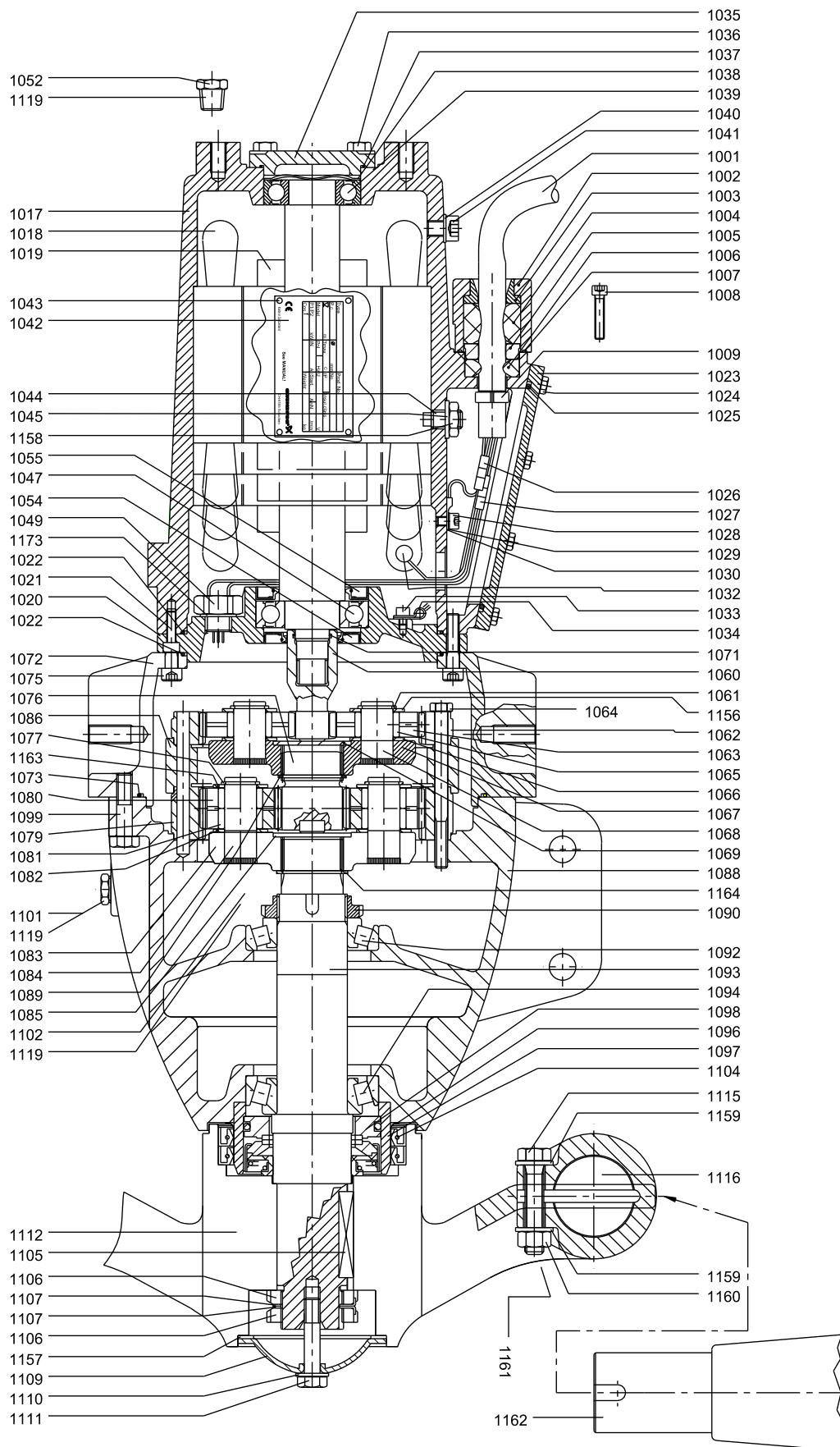
## Water-in-oil sensor

Pos.	Description/Kit No	95038409
1049	Water-in-oil sensor	1
1173	Seal washer	1

## Wear ring

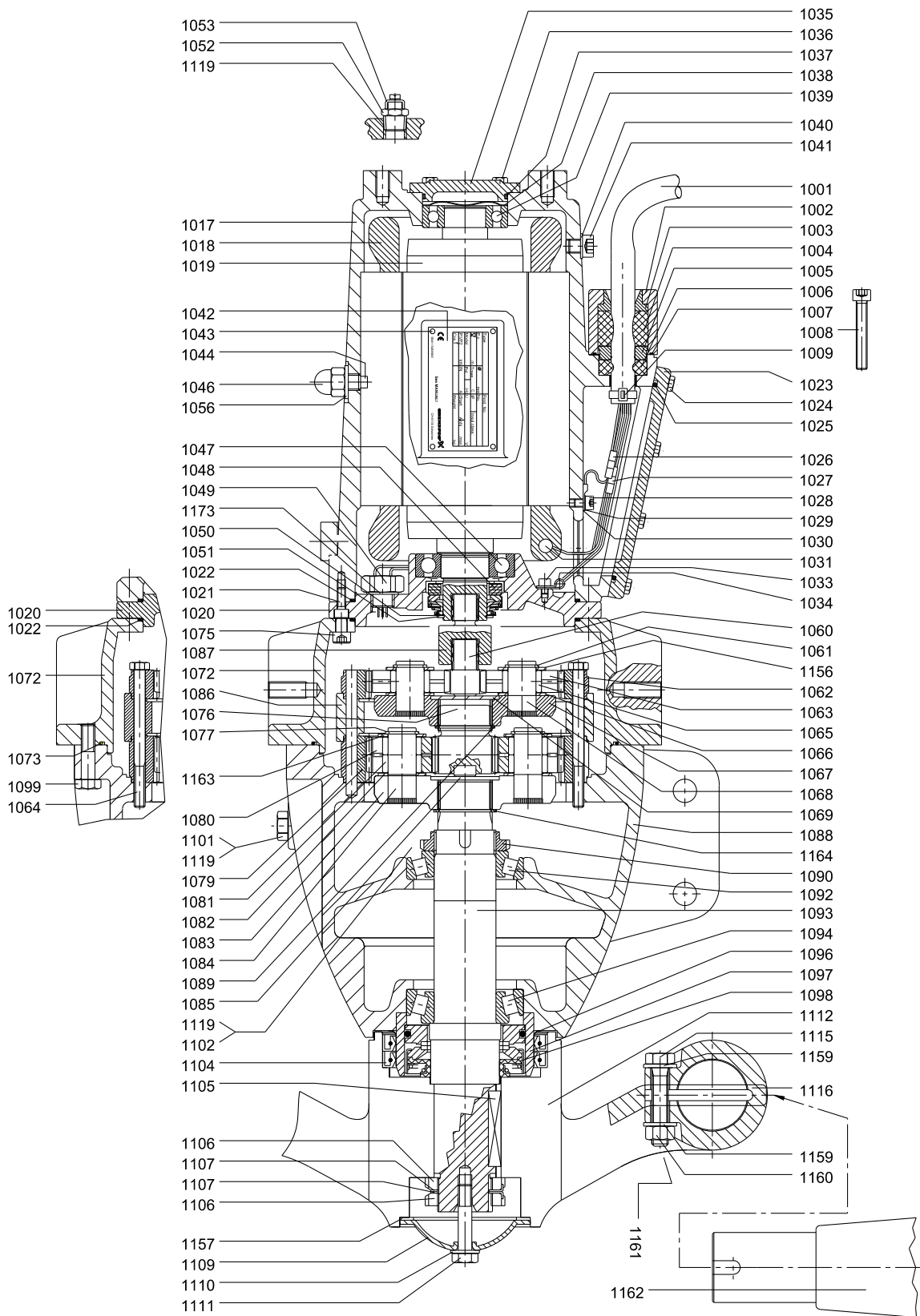
Pos.	Description/Kit No	Standard 95037375
1097	Wear ring ceramic	1
1104	Lip seal 120 x 100 x 12	2
	O-ring 94.92 x 2.62	1
1108	O-ring 184.0 x 3.0	1
	O-ring 225.0 x 3.0	1
1157	Gasket 96 x 75 x 2	1

AFG non-ATEX



TM035482

AFG.xx.230.xx.Ex (50 Hz only)



TM035494

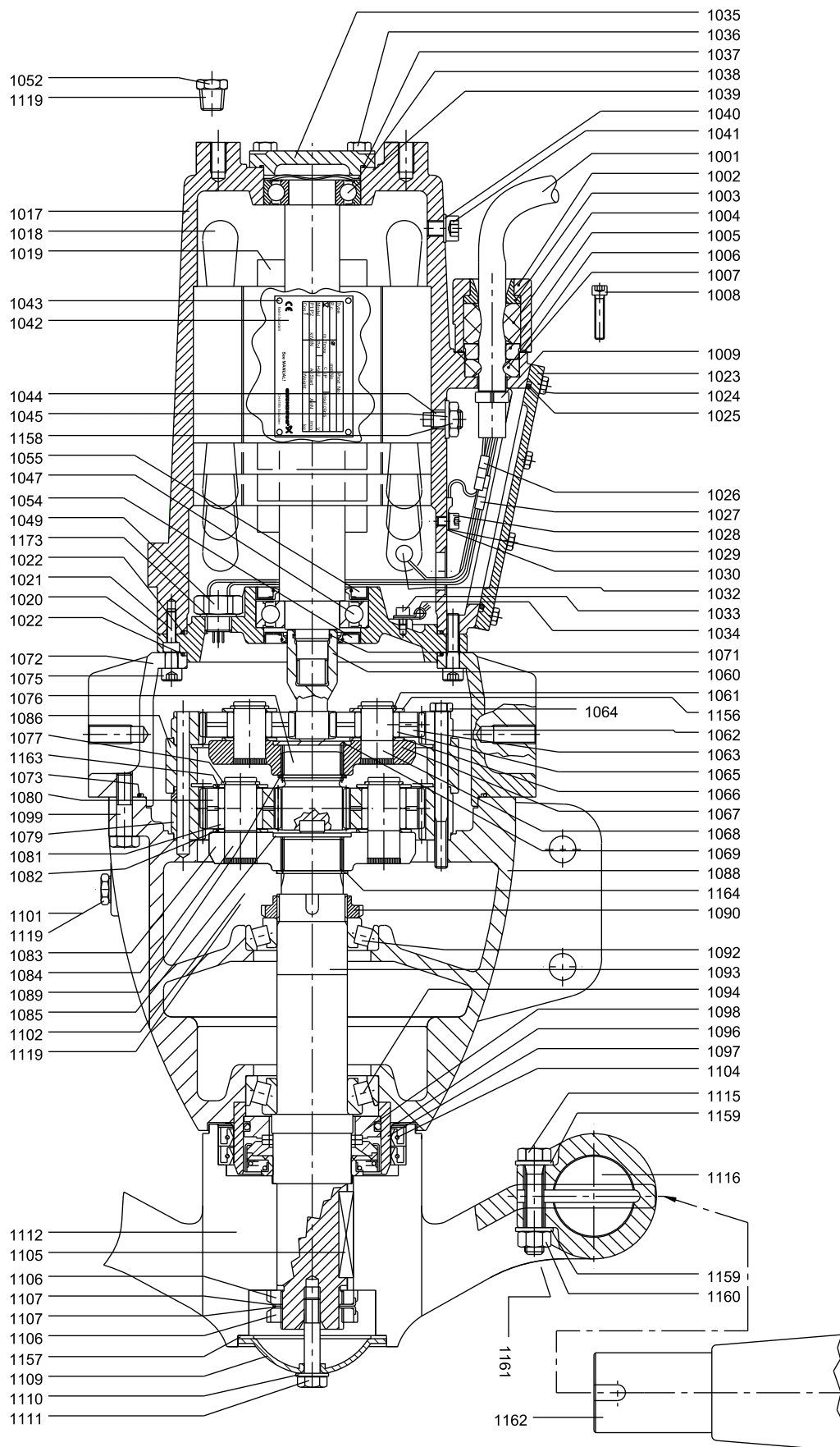
## Gear

Pos.	Description	Step 1			Step 2			
		50 Hz	All	All	AFG.30.230	-	AFG.15.230 AFG.40.230	AFG.22.230
		60 Hz SI	Non-Ex version	Ex version	AFG.15.230 AFG.40.230	AFG.30.230	AFG.22.230	-
		60 Hz US			AFG.20.91 AFG.55.91	AFG.40.91	AFG.30.91	-
	Kit No	95038580	95038581	95038585	95038749	95038584	95038583	
1060	Sun wheel		1	1	-	-	-	-
1061	Retaining ring		3	3	-	-	-	-
1062	Ring gear		1	1	-	-	-	-
1063	Planet gear		3	3	-	-	-	-
1065	Roller		57	57	-	-	-	-
1066	Washer		3	3	-	-	-	-
1067	Planet carrier		1	1	-	-	-	-
1068	Planet pin		3	3	-	-	-	-
1069	Cover		1	1	-	-	-	-
1071	O-ring		1	-	-	-	-	-
1076	Sun wheel i = 5.6		-	-	1	-	-	-
	Sun wheel i = 4.83		-	-	-	-	1	-
	Sun wheel i = 4.28		-	-	-	-	-	1
	Sun wheel i = 6.75		-	-	-	1	-	-
1077	Retaining ring		-	-	3	3	3	3
1079	Ring gear		-	-	1	1	1	1
1080	Planet gear i = 5.6		-	-	3	-	-	-
	Planet gear i = 4.83		-	-	-	-	3	-
	Planet gear i = 4.28		-	-	-	-	-	3
	Planet gear i = 6.75		-	-	-	3	-	-
1081	Roller		-	-	114	114	114	114
1082	Washer		-	-	3	3	3	3
1083	Planet carrier i = 5.6		-	-	1	-	-	-
	Planet carrier i = 4.83		-	-	-	-	1	-
	Planet carrier i = 4.28		-	-	-	-	-	1
	Planet carrier i = 6.75		-	-	-	1	-	-
1084	Planet pin		-	-	3	3	3	3
1085	Cover		-	-	1	1	1	1
1087	Gear coupling		-	1	-	-	-	-
1089	Retaining ring		-	-	1	1	1	1
1156	Washer		3	3	-	-	-	-
1163	Washer		-	-	3	3	3	3

## Propeller

Pos.	Description	50 Hz	AFG.15.230	AFG.30.230
			AFG.22.230	AFG.40.230
		60 Hz SI	AFG.15.230	AFG.30.230
			AFG.22.230	AFG.40.230
		60 Hz US	AFG.20.91	AFG.40.91
			AFG.30.91	AFG.55.91
		No of blades	2 blades	3 blades
		Kit No	95038559	95038560
1104	Lip seal		2	2
1105	Parallel key		1	1
1106	Slotted nut		2	2
1109	Hub cover		1	1
1110	Washer		1	1
1111	Hexagon head screw		1	1
1112	Hub		1	1
1115	Hexagon head screw		4	6
1116	Grooved pin		2	-
			-	3
1157	Gasket		1	1
1159	Washer		8	12
1160	Nut		4	6
1161	Hexagon head screw		2	3
1162	Propeller blade type III / 95		2	3

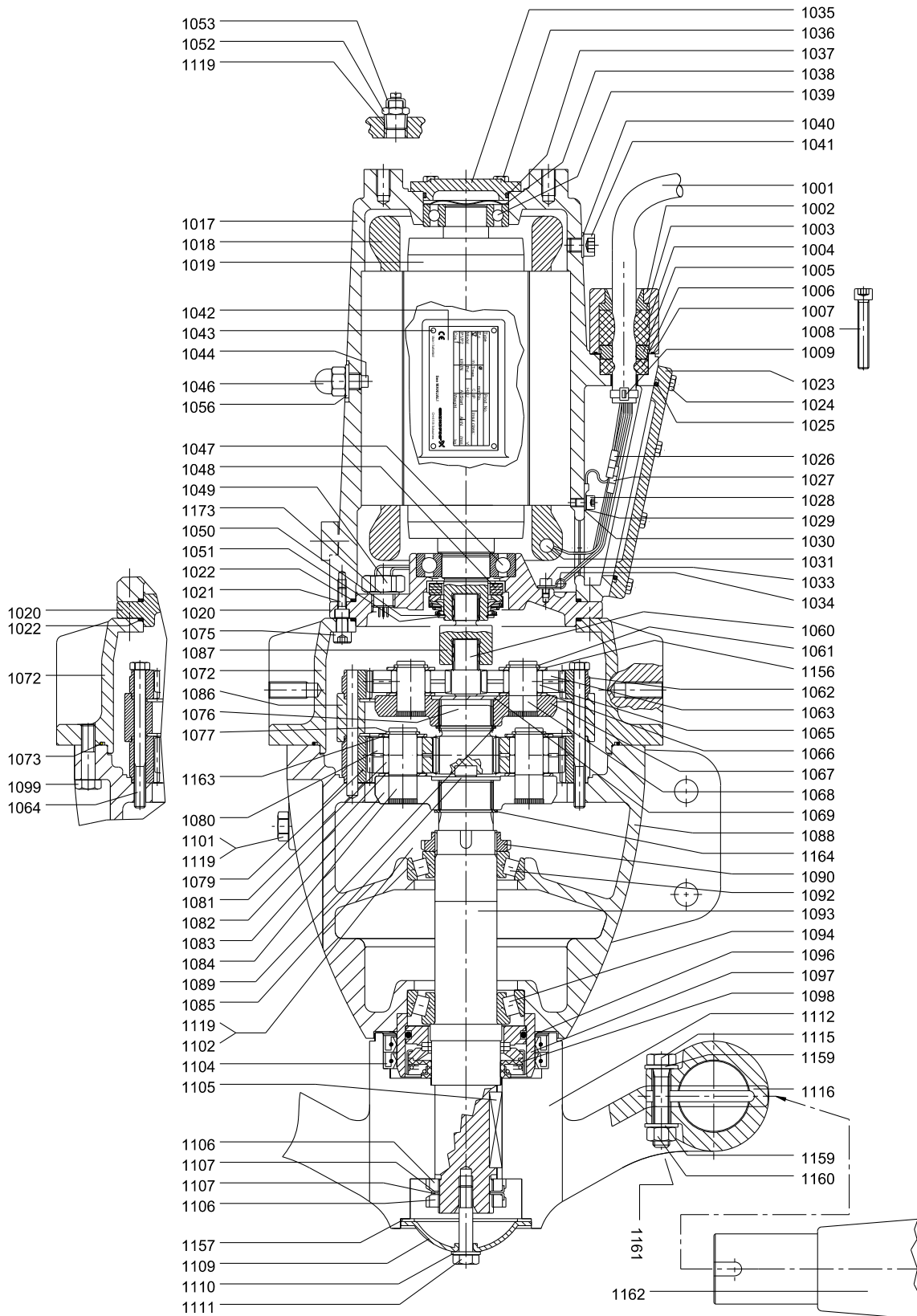
AFG non-ATEX



TM035482



AFG.xx.230.xx.Ex (50 Hz only)

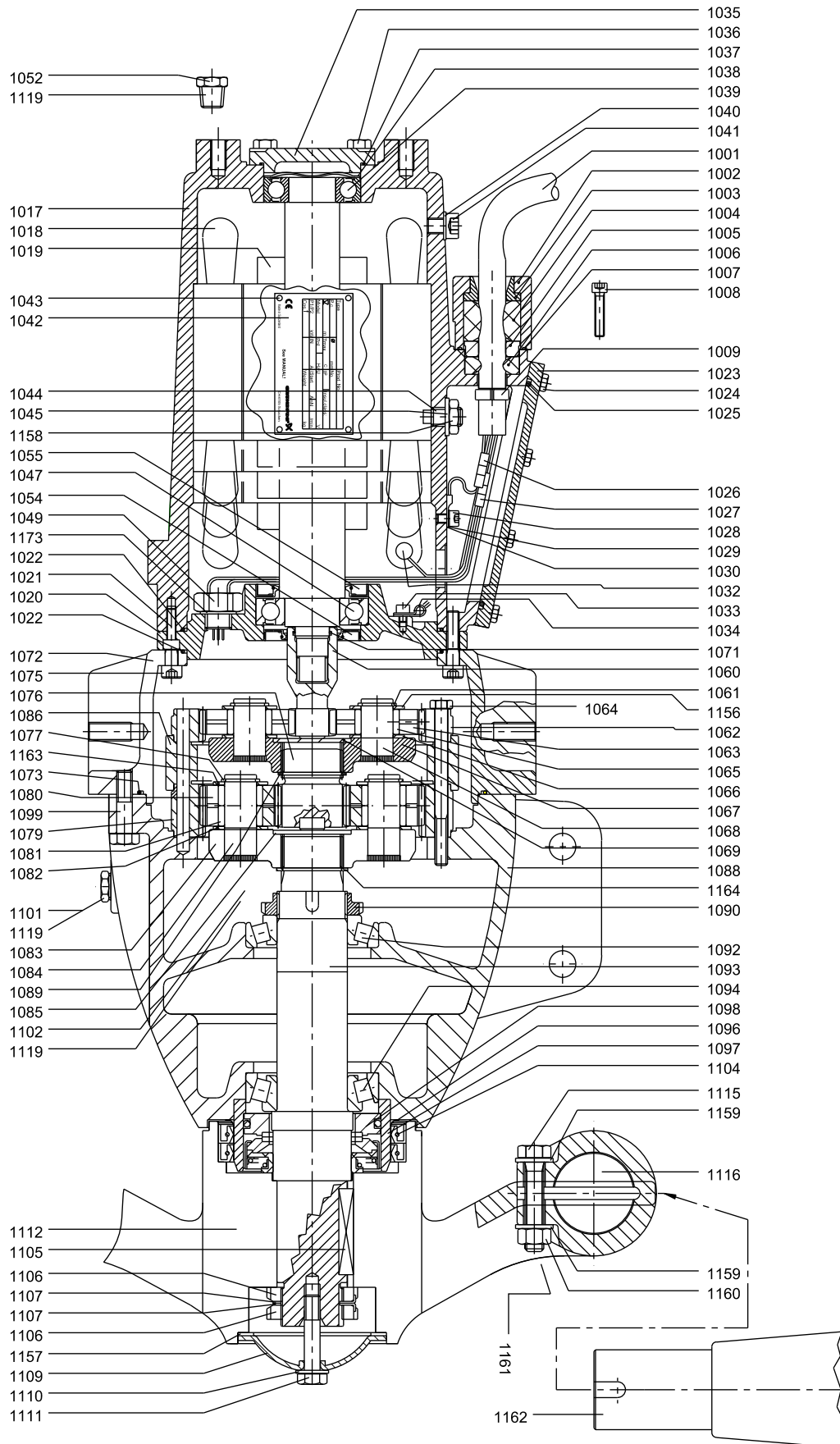


TM035494

## Motor

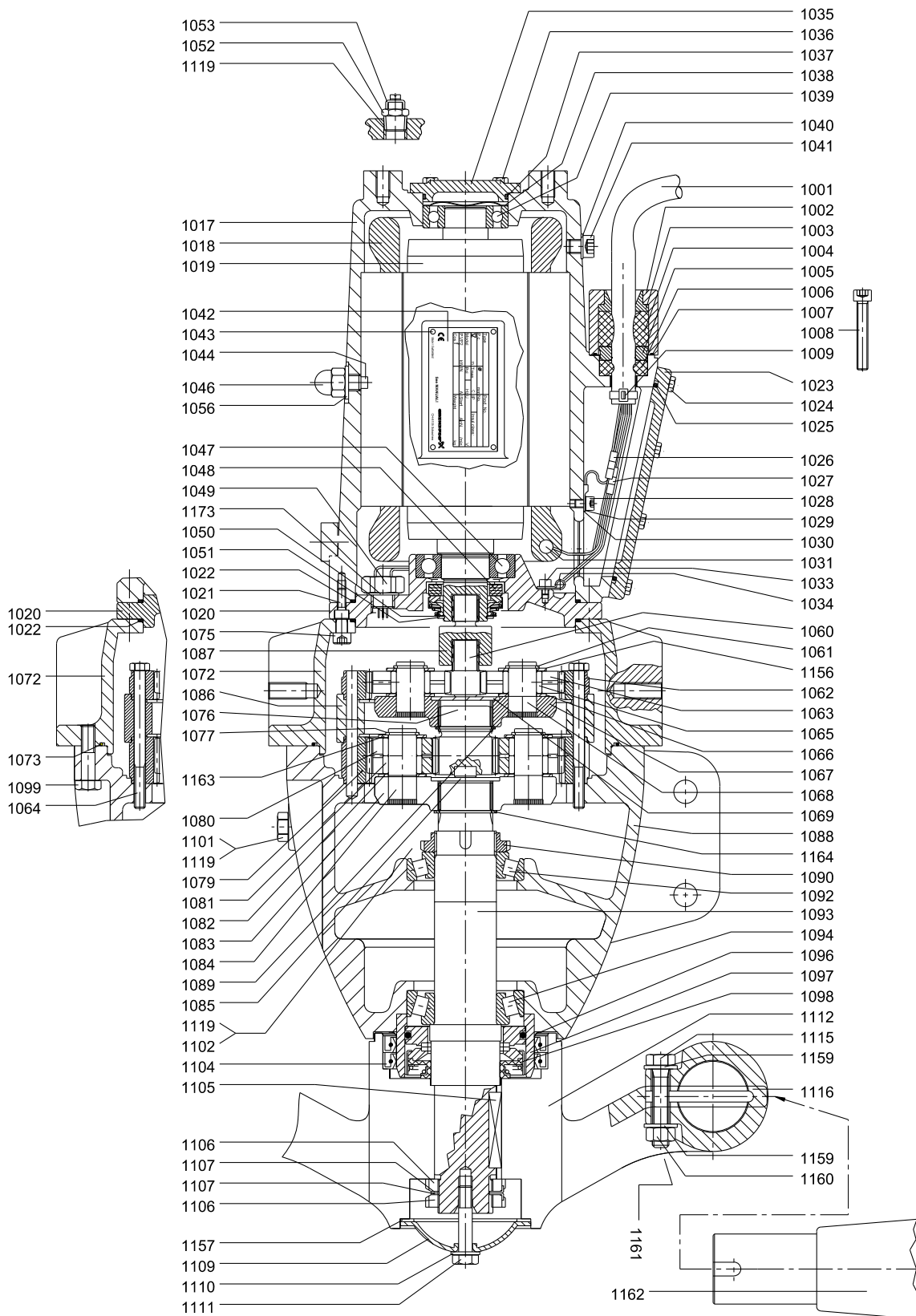
Pos.	Description	Non-Ex version		Ex version (50 Hz only)		
		50 Hz	AFG.15.230 AFG.22.230	AFG.30.230 AFG.40.230	AFG.15.230 AFG.22.230	AFG.30.230 AFG.40.230
		60 Hz SI	AFG.15.230 AFG.22.230	AFG.30.230 AFG.40.230	-	-
		60 Hz US	AFG.20.91 AFG.30.91	AFG.40.91 AFG.55.91	-	-
	Kit No	95038561	95038406	95038562	95038408	
1002	Cable flange	1	1	1	1	
1007	O-ring	1	1	1	1	
1008	Hexagon socket head cap screw	2	2	2	2	
1017	Motor housing	1	1	1	1	
1018	Stator	1	1	1	1	
1019	Rotor with shaft	1	1	1	1	
1020	Motor flange	1	1	1	1	
1021	Hexagon socket head cap screw	3	3	3	3	
1022	O-ring	2	2	2	2	
1023	Terminal box cover	1	1	1	1	
1024	Hexagon head screw	8	8	8	8	
1025	O-ring	1	1	1	1	
1028	Hexagon socket head cap screw	1	1	1	1	
1029	Lock washer	1	1	1	1	
1033	Hexagon socket head cap screw	1	1	1	1	
1034	Cable clamp	1	1	1	1	
1035	Bearing cover	1	1	1	1	
1036	Hexagon head screw	4	4	4	4	
1037	O-ring	1	1	1	1	
1038	Compensation disc	1	1	1	1	
1039	Ball bearing	1	1	-	-	
	Ball bearing	-	-	1	1	
1040	Washer	1	1	1	1	
1041	Hexagon socket head cap screw	1	1	1	1	
1044	Set screw	1	1	1	1	
1045	Spring washer	1	1	-	-	
1046	Nut	-	-	1	1	
1047	Ball bearing	1	1	-	-	
	Ball bearing	-	-	1	1	
1048	Mechanical shaft seal	-	-	1	1	
1049	Water-in-oil sensor	1	1	1	1	
1050	Shim	-	-	1	1	
1051	Retaining ring	-	-	1	1	
1052	Plug	1	1	1	1	
1053	Connection for protective earthing	-	-	1	1	
1054	Lip seal	1	1	-	-	
1055	Lip seal	1	1	-	-	
1056	Seal washer	-	-	1	1	
1119	PTFE tape	1	1	1	1	
1158	Nut	1	1	-	-	
1173	Seal washer	1	1	1	1	

AFG non-ATEX



TM035482

AFG.xx.230.xx.Ex (50 Hz only)



TM035494

**AFG.xx.260 (50/60 Hz) and AFG.xx.102 (60 Hz North America)****Bearing, motor**

Pos.	Description/Kit No	96645955
1038	Compensation disc	1
1039	Ball bearing 6208 2RS	1
1047	Ball bearing 6010 2RS	1

**Bearing, gearbox**

Pos.	Description/Kit No	95065475
1090	Slotted nut	1
1091	Lock washer	1
1092	Tapered roller bearing 30212	1
1094	Tapered roller bearing 33212	1

**Cable**

Pos.	Description/Kit No	95038486	95038487	95038488
1001	Cable	10 m /30 ft	15 m/50 ft	25 m/80 ft
1026	Cable joint	6	6	6
1027	Cable joint	4	4	4
1030	Cable shoe	1	1	1

**Cable entry, 2.5 mm<sup>2</sup>**

Pos.	Description/Kit No	95065465
1003	Cable guide	1
1004	cable seal, large	1
1005	Thrust washer	1
1006	cable seal, small	1
1007	O-ring	54.0 x 3.0
1008	Hexagon socket head cap screw	2
1009	Cable relief	1
1025	O-ring	139.29 x 3.53
1026	Cable joint	6
1027	Cable joint	4
1030	Cable shoe	1
-	Shrink tube for connections	10

**Gear housing**

Pos.	Description/Kit No	95038588
1088	Gear housing	1
1090	Slotted nut	1
1091	Lock washer	1
1092	Tapered roller bearing	1
1093	Gear shaft	1
1094	Tapered roller bearing	1
1101	Drain plug with magnet	1
1102	Plug	2
1119	PTFE tape	1

**Gasket kit**

Pos.	Description/Kit No	95035812
1004	cable seal, large	1
1006	cable seal, small	1
1007	O-ring	54.0 x 3.0
1022	O-ring	215.57 x 2.62
1025	O-ring	139.29 x 3.53
1037	O-ring	75.87 x 2.62
1048	Mechanical shaft seal	1
1050	Shim	63 x 50 x 0.5
1051	Retaining ring	1
1073	O-ring	260.0 x 3.5
1108	O-ring	94.92 x 2.62

**Radial seal**

Pos.	Description/Kit No	95039132
1104	Lip seal	150 x 125 x 12
	O-ring	120.2 x 3.53
1108	O-ring	225.0 x 3.0
	O-ring	94.92 x 2.62
1110	Washer	Ø13 / 24 x 2.5

**Shaft seal**

Pos.	Description/Kit No	95065478
1095	Intermediate ring	1
1098	Mechanical shaft seal	1

**Slotted nut**

Pos.	Description	95038489
1106	Description/Kit No	2
1107	Lock washer	2

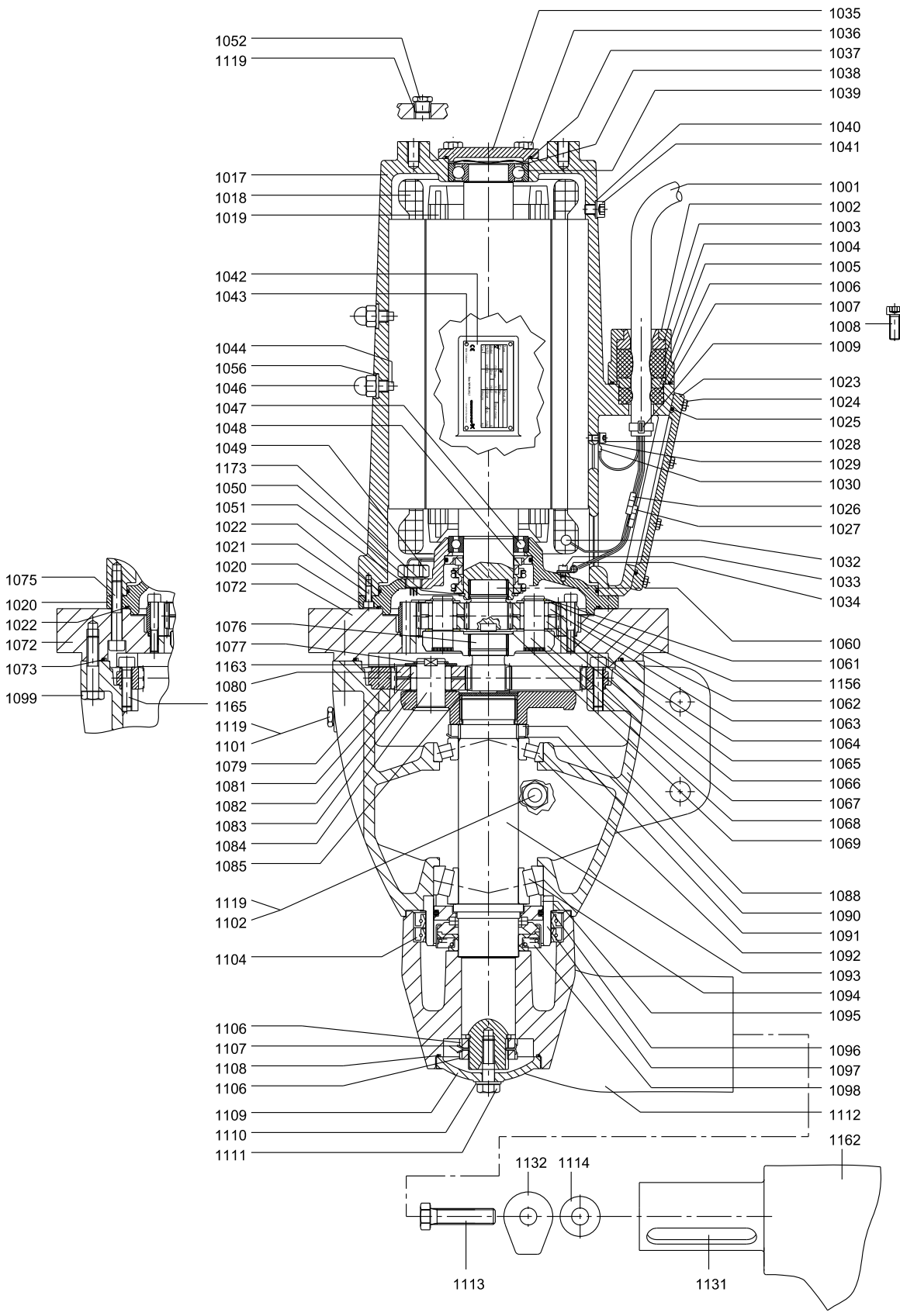
**Water-in-oil sensor**

Pos.	Description/Kit No	95038409
1049	Water-in-oil sensor	1
1173	Seal washer	1

**Wear ring**

Pos.	Description/Kit No	Standard
		95037376
1097	Wear ring ceramic	1
1104	Lip seal	150 x 125 x 12
	O-ring	120.2 x 3.53
1108	O-ring	225.0 x 3.0
	O-ring	94.92 x 2.62

AFG non-ATEX



TM040190

**Gear**

Pos.	Description	50 Hz	AFG.30.260 AFG.46.260 AFG.60.260 AFG.65.260	AFG.75.260	AFG.34.260 AFG.48.260	AFG.40.260 AFG.58.260	AFG.55.260
		60 Hz SI	-	-	AFG.55.260 AFG.75.260	-	-
		60 Hz US	-	-	AFG.75.102 AFG.100.102	-	-
			Step 1	Step 1	Step 1	Step 1	Step 1
		Kit No	95065518	95065517	95065524	95065495	95065515
1060	Sun wheel i = 4.83		1	-	-	-	-
	Sun wheel i = 5.6		-	1	-	-	-
	Sun wheel i = 6.75		-	-	1	-	-
	Sun wheel i = 4.28		-	-	-	1	-
	Sun wheel i = 3.87		-	-	-	-	1
1061	Retaining ring		3	3	3	3	3
1062	Ring gear		1	1	1	1	1
	Planet gear i = 4.83		3	-	-	-	-
	Planet gear i = 5.6		-	3	-	-	-
1063	Planet gear i = 6.75		-	-	3	-	-
	Planet gear i = 4.28		-	-	-	3	-
	Planet gear i = 3.87		-	-	-	-	3
1065	Roller		114	114	114	114	114
1066	Washer		3	3	3	3	3
1067	Planet carrier		1	1	1	1	1
1068	Planet pin		3	3	3	3	3
1069	Cover		1	1	1	1	1
1156	Washer		3	3	3	3	3

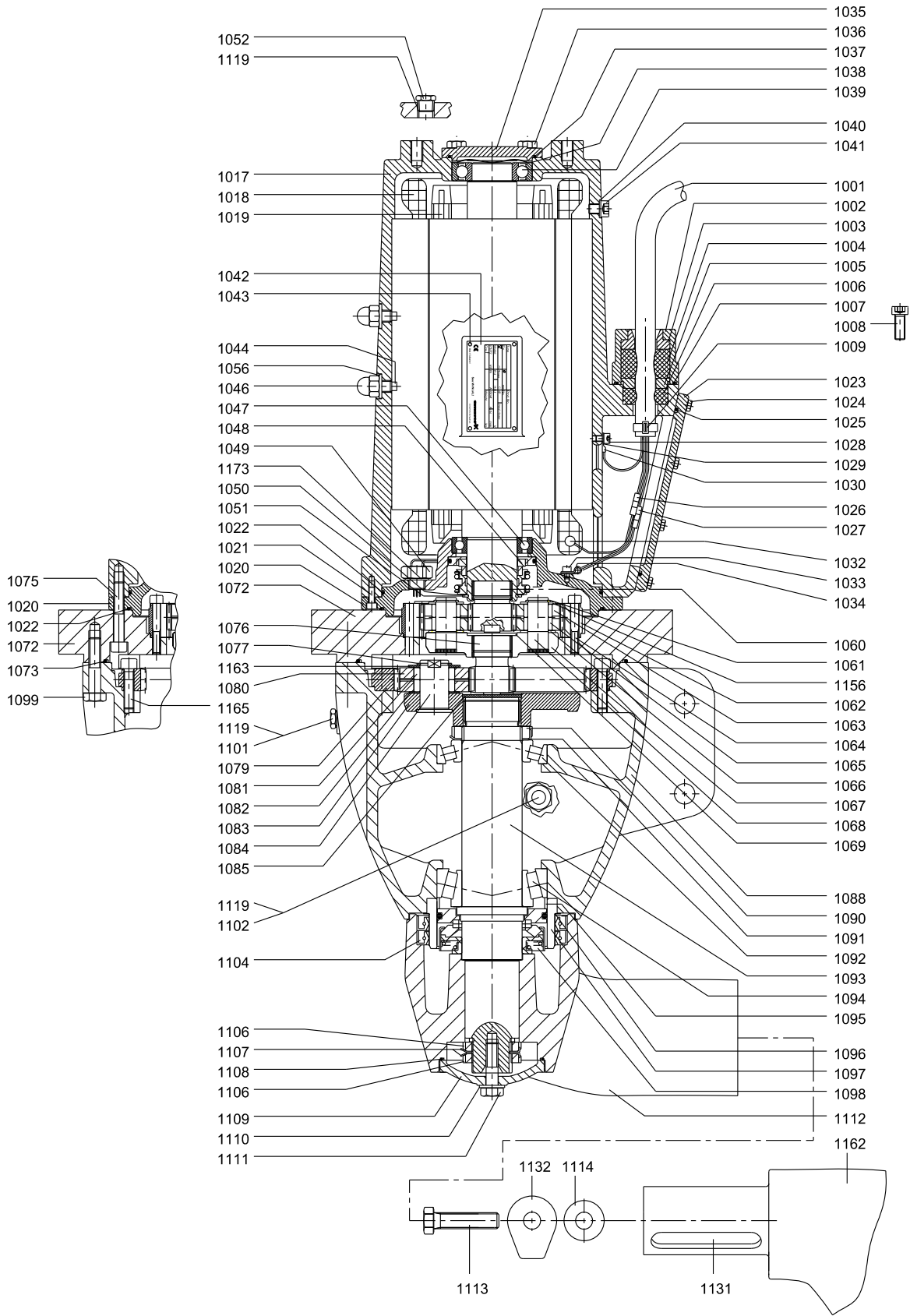
Pos.	Description	50 Hz	AFG.60.260	AFG.75.260 AFG.34.260 AFG.48.260	AFG.30.260 AFG.40.260 AFG.55.260 AFG.58.260	AFG.46.260 AFG.65.260
		60 Hz SI	-	AFG.55.260 AFG.75.260	-	-
		60 Hz US	-	AFG.75.102 AFG.100.102	-	-
			Step 2	Step 2	Step 2	Step 2
		Kit No	95038611	95065496	95038769	95065525
1076	Sun wheel i = 4.57		1	-	-	-
	Sun wheel i = 4.12		-	1	-	-
	Sun wheel i = 6.0		-	-	1	-
	Sun wheel i = 5.16		-	-	-	1
1077	Retaining ring		3	3	3	3
1079	Ring gear		1	1	1	1
1080	Planet gear i = 4.57		3	-	-	-
	Planet gear i = 4.12		-	3	-	-
	Planet gear i = 6.0		-	-	3	-
	Planet gear i = 5.16		-	-	-	3
1081	Roller		108	108	108	108
1082	Washer		3	3	3	3
1083	Planet carrier		1	1	1	1
1084	Planet pin		3	3	3	3
1085	Cover		1	1	1	1
1163	Washer		3	3	3	3

## Propeller

Pos.	Description	2 blades		3 blades	
		Kit No	95038586	Kit No	95038587
1104	Lip seal		2		2
1106	Slotted nut		2		2
1108	O-ring		1		1
1109	Hub cover		1		1
1110	Washer		1		1
1111	Hexagon head screw		1		1
1112	Hub		1		1
1113	Hexagon head screw		2		3
1114	Washer		2		3
1131	Parallel key		2		3
1132	Blinds		2		3
1162	Propeller blade		2		3



AFG non-ATEX

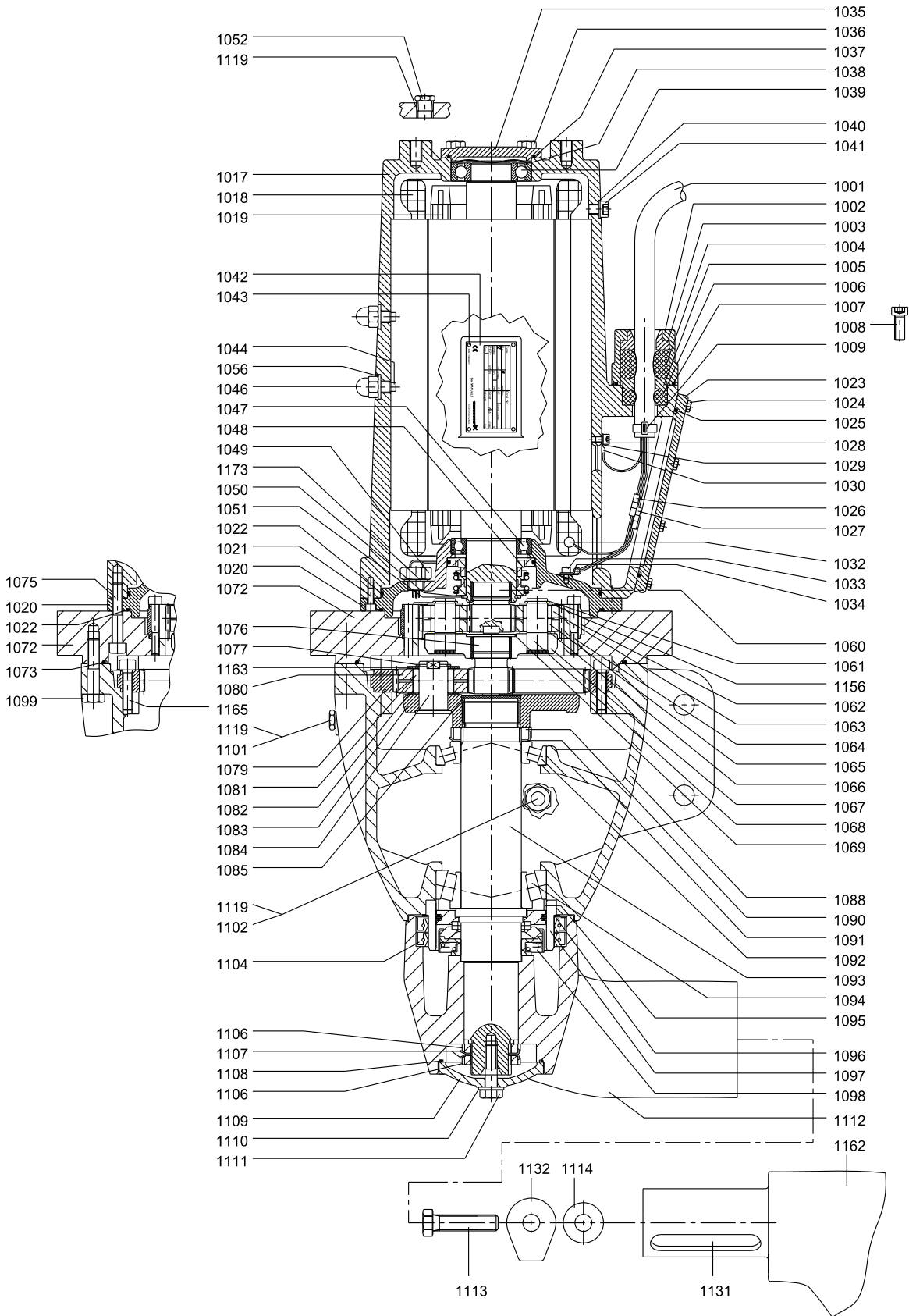


TM040190

## Motor

Pos.	Description	Non-Ex version			Ex version (50 Hz only)	
		50 Hz	AFG.30.260 AFG.34.260 AFG.40.260 AFG.60.260	AFG.46.260 AFG.48.260 AFG.55.260 AFG.58.260 AFG.65.260 AFG.75.260	AFG.60.260	AFG.75.260
		60 Hz SI	AFG.55.260	AFG.75.260	-	-
		60 Hz US	AFG.75.102	AFG.100.102	-	-
		Kit No	95038589	95038590	95038591	95038592
1002	Cable flange		1	1	1	1
1007	O-ring		1	1	1	1
1008	Hexagon socket head cap screw		2	2	2	2
1017	Motor housing		1	1	1	1
1018	Stator 6-pole		1	1	1	1
1019	Rotor with shaft 6-pole		1	1	1	1
1020	Motor flange		1	1	1	1
1021	Hexagon socket head cap screw		3	3	3	3
1022	O-ring		2	2	2	2
1023	Terminal box cover		1	1	1	1
1024	Hexagon head screw		8	8	8	8
1025	O-ring		1	1	1	1
1028	Hexagon socket cap screw		1	1	1	1
1029	Lock washer		1	1	1	1
1033	Hexagon socket head cap screw		1	1	1	1
1034	Cable clamp		1	1	1	1
1035	Bearing cover		1	1	1	1
1036	Hexagon head screw		4	4	4	4
1037	O-ring		1	1	1	1
1038	Compensation disc		1	1	1	1
1039	Ball bearing		1	1	1	1
1040	Washer		1	1	1	1
1041	Hexagon socket head cap screw		1	1	1	1
1044	Set screw		2	2	2	2
1046	Nut		2	2	2	2
1047	Ball bearing		1	1	1	1
1048	Mechanical shaft seal		1	1	1	1
1049	Water-in-oil sensor		1	1	1	1
1050	Shim		1	1	1	1
1051	Retaining ring		1	1	1	1
1052	Plug		1	1	1	1
1053	Connection for protective earthing		-	-	1	1
1056	Seal washer		2	2	2	2
1119	PTFE tape		1	1	1	1
1173	Seal washer		1	1	1	1

AFG non-ATEX



TM040190

**SMD****SMD.09-18 (50/60 Hz) and SMD.13-23 (60 Hz North America)****Bearing, motor**

Pos.	Description/Kit No	99010478	
1038	Compensation disc	1	
1039	Ball bearing	1	
1047	Ball bearing	1	
1058	Circlip	1	

**Cable (4G1.5+3x1.0)**

Pos.	Description/Kit No	96591649	96659473
181	Cable with plug	10 m / 32 ft	15 m / 49 ft
198	O-ring	1	1

**Cable screened (4G2.5+3x1.0)**

Pos.	Description/Kit No	96102486	96689980
181	Cable with plug	10 m / 32 ft	15 m / 49 ft
198	O-ring	1	1

**Connection**

Pos.	Description/Kit No	99010477	
1013	Male plug connector	1	
1016	Circlip	2	
1030	Cable shoe	1	
1031	Connector pin	7	

**Bolts**

Pos.	Description/Kit No	99010476	
1021	Screw	3	
1028	Screw	1	
1029	Lock washer	1	
1040	U-washer	1	
1041	Screw	1	
1111	Screw	1	
1126	Screw	3	
1144	Countersunk screw	3	
1147	Countersunk screw	3	
1149	Screw	2	

**Wear ring**

Pos.	Description/Kit No	99010484	
1146	Wear ring	1	
1147	Countersunk screw	3	

**Stator with housing**

Pos.	Description/Kit No	99010479	
1017	Motor housing	1	
1018	Stator	1	

**Gasket kit**

Pos.	Description/Kit No	99010475	
198	O-ring	34.0 x 3.0	1
1022	O-ring	105.0 x 3.5	1
1040	Washer		1
1098a	O-ring	50.0 x 3.0	2
1100	O-ring	17.86 x 2.62	1

Pos.	Description/Kit No	99010475	
1102	Plug		3
1125	O-ring	139.29 x 3.53	1
1142	O-ring	92.0 x 3.5	1
1143	O-ring	135.0 x 2.5	1

**Shaft seal**

Pos.	Description/Kit No	99010482	
1051	Circlip		1
1098	Mechanical shaft seal		1
1100	O-ring	17.86 x 2.62	1
1149	Screw		2

**Moisture switch**

Pos.	Description/Kit No	99010490	
1027	Cable joint 1.5-2.5		2
1080	Moisture switch		1
1081	Moisture switch holder		1
1082	Screw		1
1084	Screw		2
1085	Lock nut		2
1167	Pin		1

**Wear ring**

Pos.	Description/Kit No	99010483	
1097	Wear ring		1
1098a	O-ring	50.0 x 3.0	2
1102	Plug		3
1104	Lip seal		1
1142	O-ring	92.0 x 3.5	1
1143	O-ring	135.0 x 2.5	1

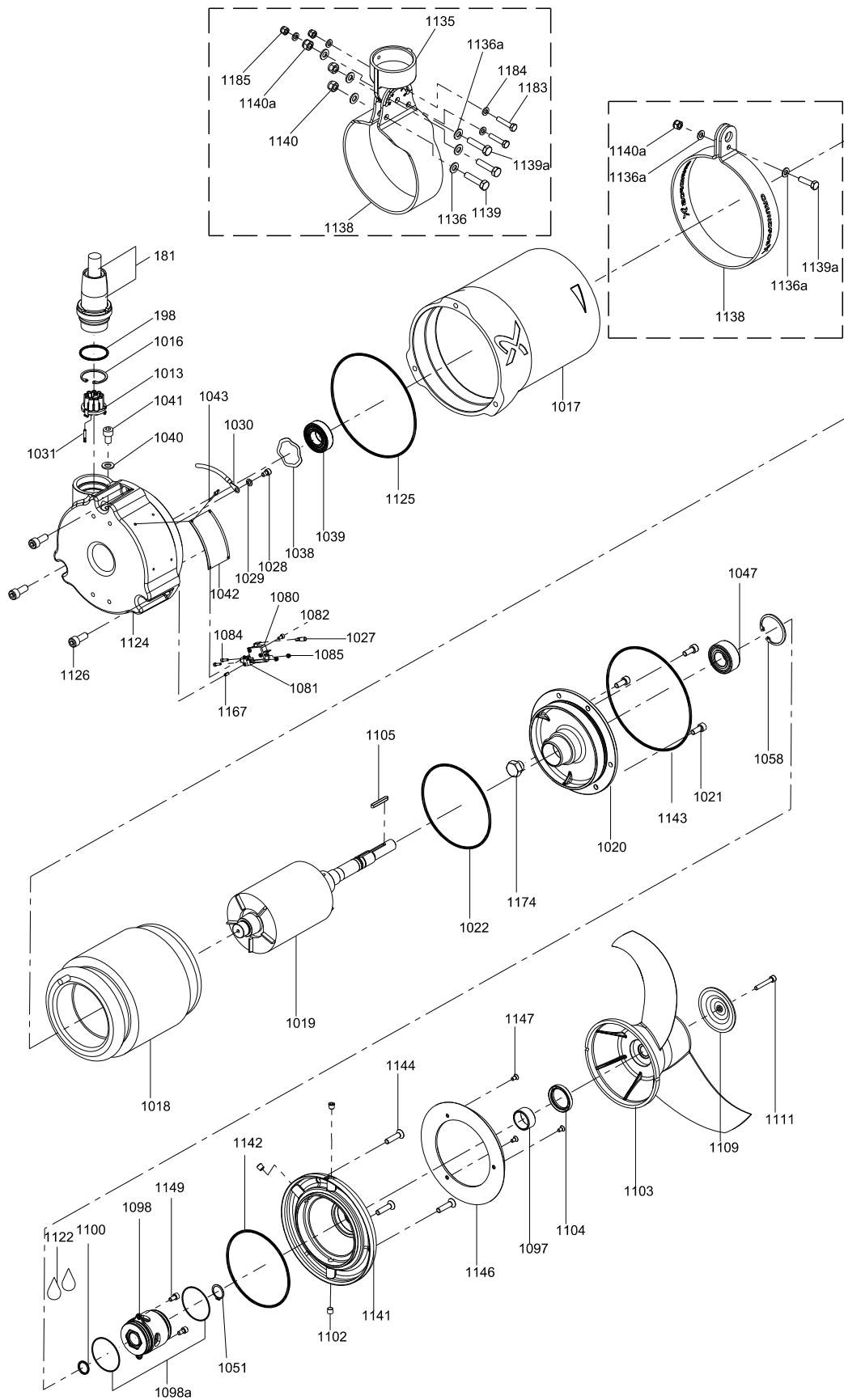
**Lifting belt (SMD.09-18)**

Pos.	Description/Kit No	99010480	
1136 a	Washer		2
1138	Clamping ring		1
1139a	Screw		1
1140 a	Lock nut		1

**Mounting belt (SMD.09-18.xx.T)**

Pos.	Description/Kit No	99010481	
1135	Mounting device		1
1136 a	Washer		2
1138	Clamping ring		1
1139a	Screw		1
1140 a	Lock nut		1
1183	Screw		2
1184	Washer		4
1185	Lock nut		2
1140	Lock nut		2
1136	Washer		4
1139	Screw		2

SMD

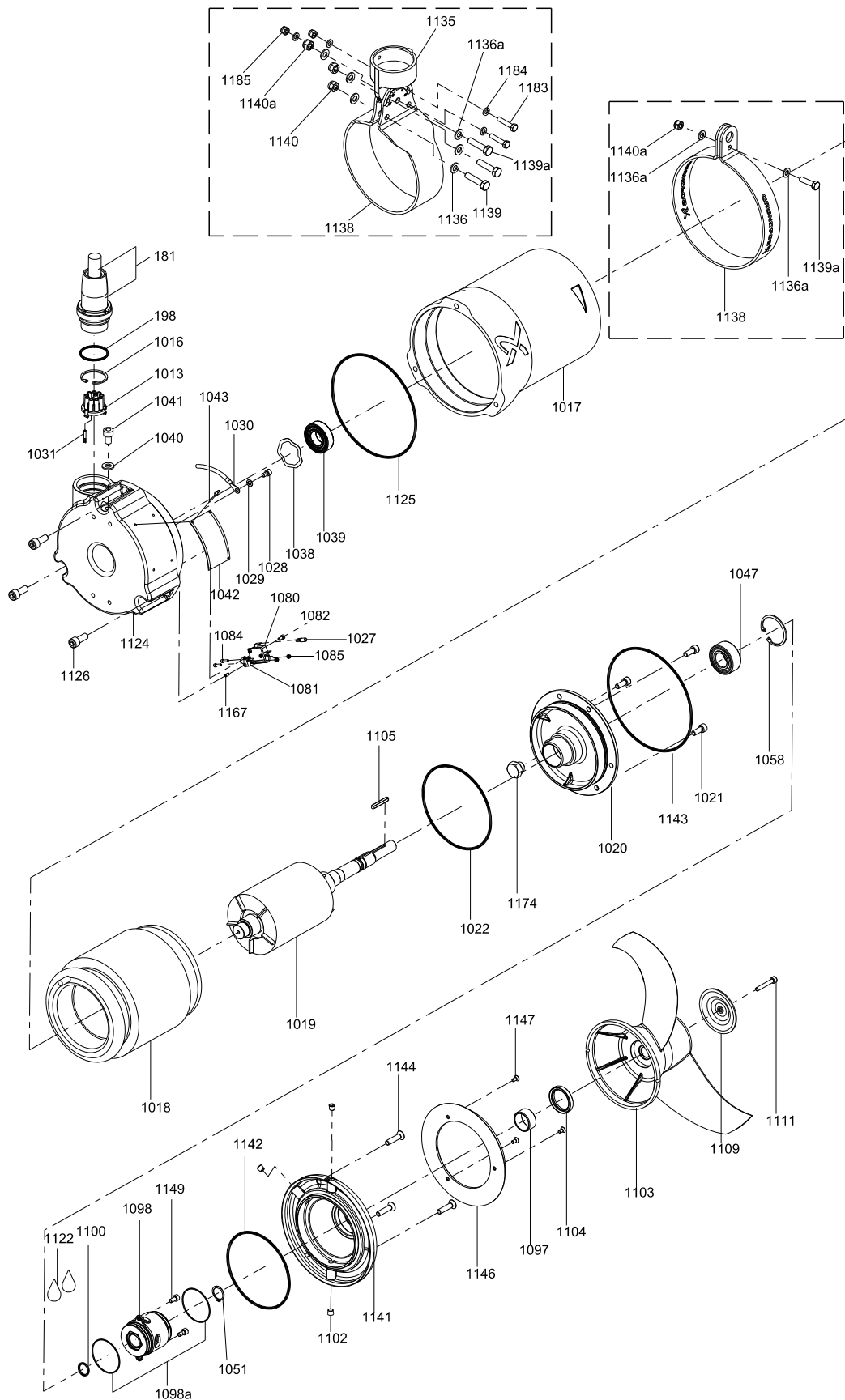


TM065260

## Propeller

Pos.	Description	50 Hz	-	SMD.09.21	SMD.11.25	SMD.14.25	SMD.18.25
		60 Hz DIN	SMD.10.18	SMD.13.21	SMD.17.25	-	-
		60 Hz ANSI	SMD.13.7	SMD.17.8	SMD.23.10	-	-
		Kit No	99010489	99010485	99010486	99010487	99010488
	Propeller 1.0 kW (1.3 hp)	1	-	-	-	-	-
	Propeller 0.9/1.3 kW (1.7 hp)	-	1	-	-	-	-
1103	Propeller 1.1/1.7 kW (2.3 hp)	-	-	1	-	-	-
	Propeller 1.4 kW	-	-	-	1	-	-
	Propeller 1.8 kW	-	-	-	-	-	1
1104	Lip seal	1	1	1	1	1	1
1105	Parallel key	1	1	1	1	1	1
1109	Hub cover	1	1	1	1	1	1
1111	Screw	1	1	1	1	1	1

SMD



TM065260

**SMD.19-35 (50/60 Hz) and SMD.30-47 (60 Hz North America)****Bearing, motor**

Pos.	Description/Kit No	99010498
1038	Compensation disc	1
1039	Ball bearing	1
1047	Ball bearing	1
1058	Circlip	1

**Bolts**

Pos.	Description/Kit No	99010496
1021	Screw	3
1028	Screw	1
1029	Lock washer	1
1040	U-Washer	1
1041	Screw	1
1111	Countersunk screw	1
1126	Screw	3
1144	Countersunk screw	3
1147	Countersunk screw	3
1149	Screw	2

**Cable (7G1.5+3x1.0)**

Pos.	Description/Kit No	96689954	96689955
181	Cable with plug	10 m / 32 ft	15 m / 49 ft
198	O-ring	1	1

**Cable screened (4G2.5+3x1.0)**

Pos.	Description/Kit No	96102490	96102491
181	Cable with plug	10 m / 32 ft	15 m / 49 ft
198	O-ring	1	1

**Connection**

Pos.	Description/Kit No	99010497
1013	Male plug connector	1
1016	Circlip	1
1030	Cable shoe	1
1031	Connector pin	10

**Gasket kit**

Pos.	Description/Kit No	99010495
1007	O-ring	42.0 x 3 .0
1022	O-ring	144.5 x 3.53
1040	Washer	1
1098a	O-ring	50.0 x 3 .0
1100	O-ring	17.86 x 2.62
1102	Plug	3
1125	O-ring	180.0 x 3.5
1142	O-ring	129.77 x 3.53
1143	O-ring	183.83 x 2.62

**Lifting belt**

Pos.	Description/Kit No	99010500
1136a	Washer	2
1138	Clamping ring	1
1139 a	Screw	1
1140 a	Lock nut	1

**Moisture switch**

Pos.	Description/Kit No	99010490
1027	Cable joint 1.5-2.5	2
1080	Moisture switch	1
1081	Moisture switch holder	1
1082	Screw	1
1084	Screw	2
1085	Lock nut	2
1167	Pin	1

**Stator with housing**

Pos.	Description/Kit No	99010499
1017	Motor Housing	1
1018	Stator	1

**Shaft seal**

Pos.	Description/Kit No	99010482
1051	Circlip	1
1098	Mechanical shaft seal	1
1100	O-ring	17.86 x 2.62
1149	Screw	2

**Wear ring**

Pos.	Description/Kit No	99010502
1146	Wear ring	1
1147	Countersunk screw	3

**Wear ring**

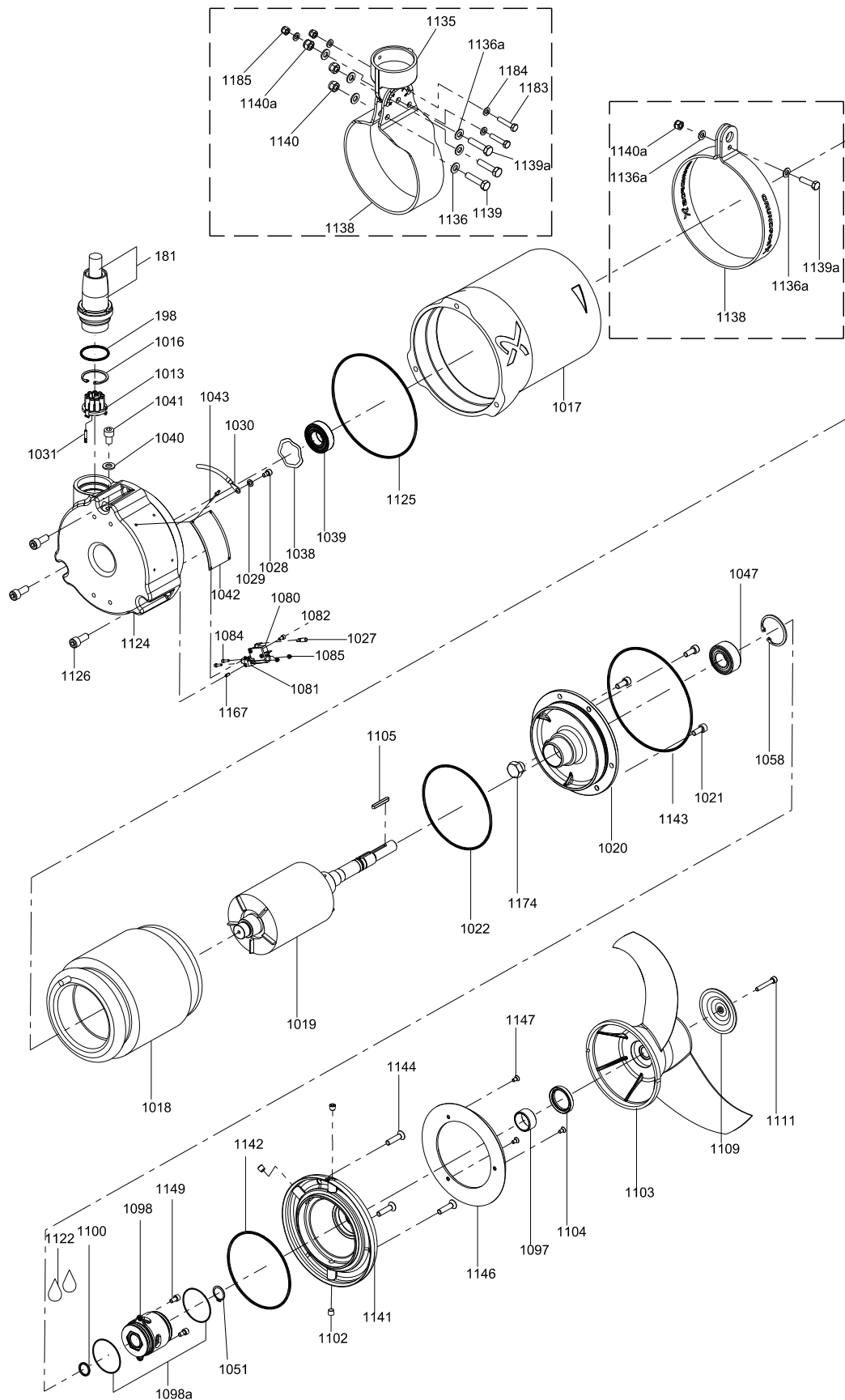
Pos.	Description/Kit No	99010501
1097	Wear ring	1
1102	Plug	3
1104	Lip seal	1
1142	O-ring	129.77x3.53
1143	O-ring	183.83x2.62



## Propeller

Pos.	Description	50 Hz		SMD.19.32	SMD.23.37	SMD.28.37	SMD.35.37
		60 Hz DIN	SMD.22.29	SMD.26/28.32	SMD.32/35.37		
		60 Hz ANSI	SMD.30.11	SMD.38.13	SMD.47.15		
		Kit No	99010507	99010503	99010504	99010505	99010506
	Propeller 2.2 kW (3.0 hp)	1	-	-	-	-	-
	Propeller 1.9/2.6/2.8 kW (3.8 hp)	-	1	-	-	-	-
1103	Propeller 2.3/3.2/3.5 kW (4.7 hp)	-	-	1	-	-	-
	Propeller 2.8 kW	-	-	-	1	-	-
	Propeller 3.5 kW	-	-	-	-	-	1
1104	Lip seal	1	1	1	1	1	1
1105	Parallel key	1	1	1	1	1	1
1109	Hub cover	1	1	1	1	1	1
1111	Screw	1	1	1	1	1	1

SMD



TM065260

**SMG****SMG.09-40 (50/60 Hz) and SMG.12-55 (60 Hz North America)****Bearing, motor**

Pos.	Description/Kit No	95065458
1038	Compensation disc	1
1039	Ball bearing 6206 2RS1/C3	1
1047	Ball bearing 6207 2RS1/C3	1

**Bearing, gearbox**

Pos.	Description/Kit No	95065459
1090	Slotted nut	1
1091	Lock washer	1
1092	Tapered roller bearing 30207	1
1094	Tapered roller bearing 30207	1

**Cable (11G1.5)**

Pos.	Description/Kit No	95038410	95038411
1001	Cable	10 m / 32 ft	15 m / 49 ft
1026	Cable joint	6	6
1027	Cable joint	4	4
1030	Cable shoe	1	1

**Cable entry 1.5 mm<sup>2</sup>**

Pos.	Description/Kit No	95065457
1003	Cable guide	1
1004	cable seal, large	1
1005	Thrust washer	1
1006	cable seal, small	1
1007	O-ring	39.45 x 1.78
1008	Screw	2
1009	Cable relief	1
1025	O-ring	113.97 x 2.62
1026	Cable joint	10
1030	Cable shoe	1
-	Shrink tube for connections	10

**Gear housing**

**Note:** Gear housing kit parts are pre-assembled.

Pos.	Description/Kit No	95038404
1088	Gear housing	1
1089	Circlip	1
1090	Slotted nut	1
1091	Lock washer	1
1092	Tapered roller bearing 30207	1
1093	Gear shaft	1
1094	Tapered roller bearing 30207	1
1101	Drain plug with magnet	1
1102	Plug	2
1105	Parallel key	1
1095	Intermediate ring	1
1119	PTFE tape	1

**Gasket kit**

Pos.	Description/Kit No	95065456
1004	cable seal, large	1
1006	cable seal, small	1
1007	O-ring	39.45 x 1.78
1022	O-ring	158.42 x 2.62
1025	O-ring	113.97 x 2.62
1037	O-ring	56.82 x 2.62
1048	Mechanical shaft seal, rotor	1
1048	Mechanical shaft seal, stator	1
1050	Shim	1
1051	Circlip	1
1108	O-ring	85.0 x 2.5

**Radial seal**

Pos.	Description/Kit No	95039130
1022	O-ring	158.42 x 2.62
1104	Lip seal	2
1108	O-ring	85.0 x 2.5
1108	O-ring	105.0 x 3.0
1108	O-ring	184.0 x 3.0
1110	Washer	1
1157	Gasket NBR	70 D86/66 x 2
1157	Gasket NBR	70 D96 x 75 x 2

**Shaft seal**

Pos.	Description/Kit No	95065462
1095	Intermediate ring	1
1098	Mechanical shaft seal, rotor	1
1098	Mechanical shaft seal, stator	1

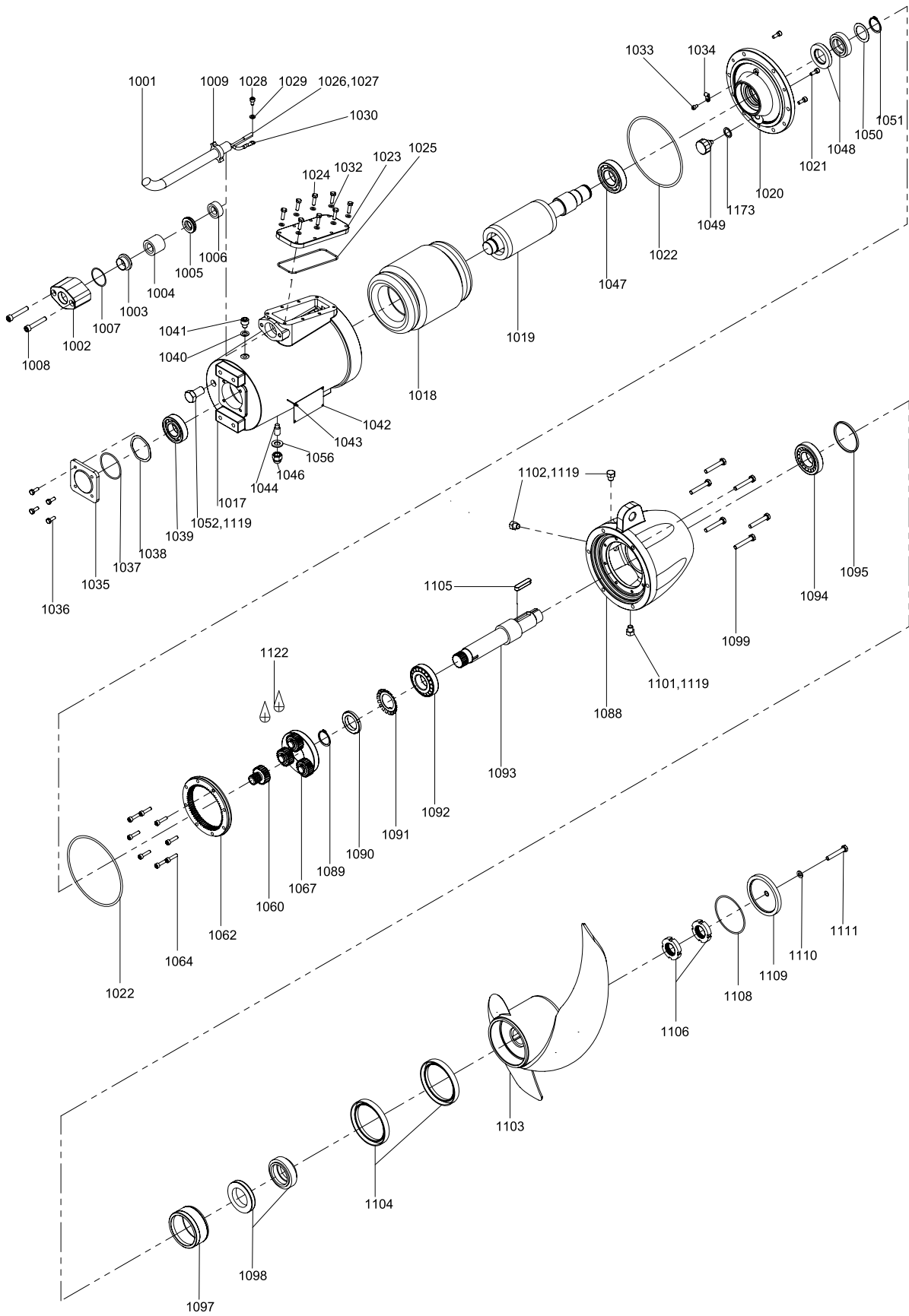
**Water-in-oil sensor**

Pos.	Description/Kit No	95038409
1049	Water-in-oil sensor	1
1173	Seal washer	1

**Wear ring**

Pos.	Description/Kit No	95037374
1022	O-ring	158.42 x 2.62
1097	Wear ring ceramic	1
1104	Lip seal	2
1108	O-ring	85.0 x 2.5
1108	O-ring	105.0 x 3.0
1108	O-ring	184.0 x 3.0
1110	Washer	1
1157	Gasket NBR	70 D86/66 x 2
1157	Gasket NBR	70 D96 x 75 x 2

SMG.09-40 (50/60 Hz) and SMG.12-55 (60 Hz North America)



TM062486

**Gear**

Pos.	Description	50 Hz		60 Hz SI		60 Hz US	
		SMG.09.55 SMG.12.63 SMG.16.63	-	SMG.09.55 SMG.12.63 SMG.16.63	-	SMG.12.22 SMG.16.25 SMG.22.25	-
		Kit No		Kit No		Kit No	
		i = 3.556 95065513	i = 4.286 95065494	i = 4.833 95065510	i = 5.600 95066609	i = 6.750 95065523	
1060	Sun wheel	1	1	1	1	1	
1062	Ring gear	1	1	1	1	1	
1067	Planet gear complete	1	1	1	1	1	

**Motor**

Note: Motor kit parts are pre-assembled.

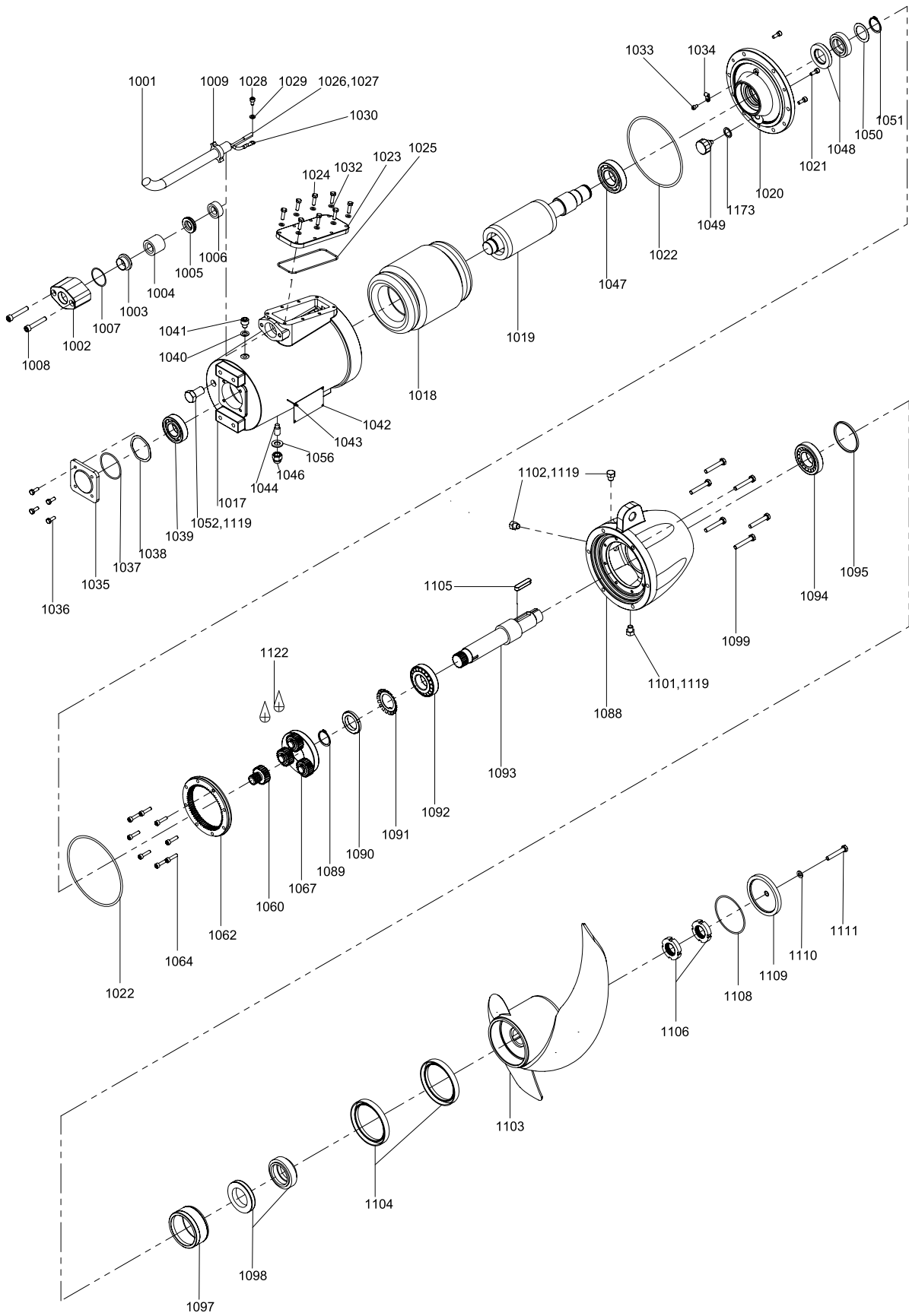
Pos.	Description	50/60 Hz	SMG.09-16	SMG.20-40
		60 Hz US	SMG.12-22	SMG.27-55
		Kit No	95039700	95039701
1002	Cable flange		1	1
1007	O-ring		1	1
1008	Cylinder head screw		2	2
1017	Motor housing		1	1
1018	Stator wound 6-pole 1.8 kW (2.4 hp)		1	-
	Stator wound 4-pole 3.6 kW (4.8 hp)		-	1
1019	Rotor with shaft 6-pole 1.8 kW (2.4 hp)		1	-
	Rotor with shaft 4-pole 3.6 kW (4.8 hp)		-	1
1020	Motor flange		1	1
1021	Cylinder head screw		3	3
1022	O-ring		2	2
1023	Terminal box cover		1	1
1024	Hexagon screw		8	8
1025	O-ring		1	1
1028	Cylinder head screw		1	1
1029	Lock washer		1	1
1033	Cylinder head screw		1	1
1034	Cable clamp		1	1
1035	Bearing cover		1	1
1036	Hexagon head screw		4	4
1037	O-ring 56.82 x 2.62		1	1
1038	Compensation disc		1	1
1039	Ball bearing		1	1
1040	Washer		1	1
1041	Cylinder head screw		1	1
1044	Set screw		1	1
1046	Nut		1	1
1047	Ball bearing		1	1
1048	Mechanical shaft seal, rotor		1	1
	Mechanical shaft seal, stator		1	1
1049	Water-in-oil sensor		1	1
1050	Shim washer		1	1
1051	Circlip		1	1

Pos.	Description	50/60 Hz	SMG.09-16	SMG.20-40
		60 Hz US	SMG.12-22	SMG.27-55
		Kit No	95039700	95039701
1052	Plug		1	1
1056	Seal washer		1	1
1173	Seal washer		1	1

**Propeller**

Pos.	Description	50/60 Hz	SMG.09.55	SMG.12.63	SMG.16.63	SMG.20/30/33.71	SMG.25/36/38/40.71
		60 Hz US	SMG.12.22	SMG.16.25	SMG.22.25	SMG. 27/44.28	SMG.34/55.28
		AISI 304	95039713	95039715	95039717	95039719	95039721
		AISI 316	95039714	95039716	95039718	95039720	95039722
	Propeller 0.9 kW (1.2 hp)	1	-	-	-	-	-
	Propeller 1.2 kW (1.6 hp)	-	1	-	-	-	-
1103	Propeller 1.6 kW (2.2 hp)	-	-	1	-	-	-
	Propeller 2.0/3.0/3.3 kW (2.7/4.4 hp)	-	-	-	1	-	-
	Propeller 2.5/3.6/3.8/4.0 kW (3.4/5.5 hp)	-	-	-	-	-	1
1104	Lip seal	2	2	2	2	2	2
1105	Parallel key	1	1	1	1	1	1
1106	Slotted nut	2	2	2	2	2	2
1108	Gasket	1	1	1	1	1	1
1109	Hub cover	1	1	1	1	1	1
1110	Washer	1	1	1	1	1	1
1111	Hexagon head screw	1	1	1	1	1	1

SMG.09-40 (50/60 Hz) and SMG.12-55 (60 Hz North America)



TM062486

**SMG.48-120 (50/60 Hz) and SMG.75-160 (60 Hz North America)****Bearing, motor**

Pos.	Description/Kit No	96645955
1038	Compensation disc	1
1039	Ball bearing 6208 2RS1/C3	1
1047	Ball bearing 6010 2RS1/C3	1

**Bearing, gearbox**

Pos.	Description/Kit No	95065467
1090	Slotted nut; elastic stop	1
1092	Tapered roller bearing 30209	1
1094	Tapered roller bearing 32209	1

**Cable (11G2.5)**

Pos.	Description/Kit No	95038486	95038487
1001	Cable	10 m / 32 ft	15 m / 49 ft
1026	Cable joint	6	6
1027	Cable joint	4	4
1030	Cable shoe	1	1

**Cable entry 2.5 mm<sup>2</sup>**

Pos.	Description/Kit No	95065465	
1003	Cable guide	1	
1004	Cable seal, large	1	
1005	Thrust washer	1	
1006	Cable seal, small	1	
1007	O-ring	1	
1008	Screw	2	
1009	Cable relief	1	
1025	O-ring	139.29 x 3.53	1
1026	Cable joint	10	
1030	Cable shoe	7	
-	Shrink tube for connections	10	

**Gear housing**

**Note:** Gear housing kit parts are pre-assembled.

Pos.	Description/Kit No	95038481
1088	Gear housing	1
1089	Circlip	1
1090	Slotted nut	1
1092	Tapered roller bearing 30209	1
1093	Gear shaft	1
1094	Tapered roller bearing 32209	1
1101	Drain plug with magnet	1
1102	Plug	2
1105	Parallel key	1
1119	PTFE tape	1

**Gasket kit**

Pos.	Description/Kit No	95065464	
1004	cable seal, large	1	
1006	cable seal small	1	
1007	O-ring	54.0 x 3.0	1
1022	O-ring	215.57 x 2.62	2
1025	O-ring	139.29 x 3.53	1
1037	O-ring	75.87 x 2.62	1
1048	Mechanical shaft seal, rotor	1	
	Mechanical shaft seal, stator	1	
1050	Shim	1	
1051	Circlip	1	
1108	O-ring	94.92 x 2.62	1

**Radial seal**

Pos.	Description/Kit No	95039131	
1022	O-ring	215.59 x 2.62	1
1104	Lip seal	2	
	O-ring	94.92 x 2.62	1
1108	O-ring	184.0 x 3.0	1
	O-ring	225.0 x 3.0	1
1110	Washer	1	
1157	Gasket	1	

**Shaft seal**

Pos.	Description/Kit No	95065470
1098	Mechanical shaft seal, rotor	1
	Mechanical shaft seal, stator	1

**Water-in-oil sensor**

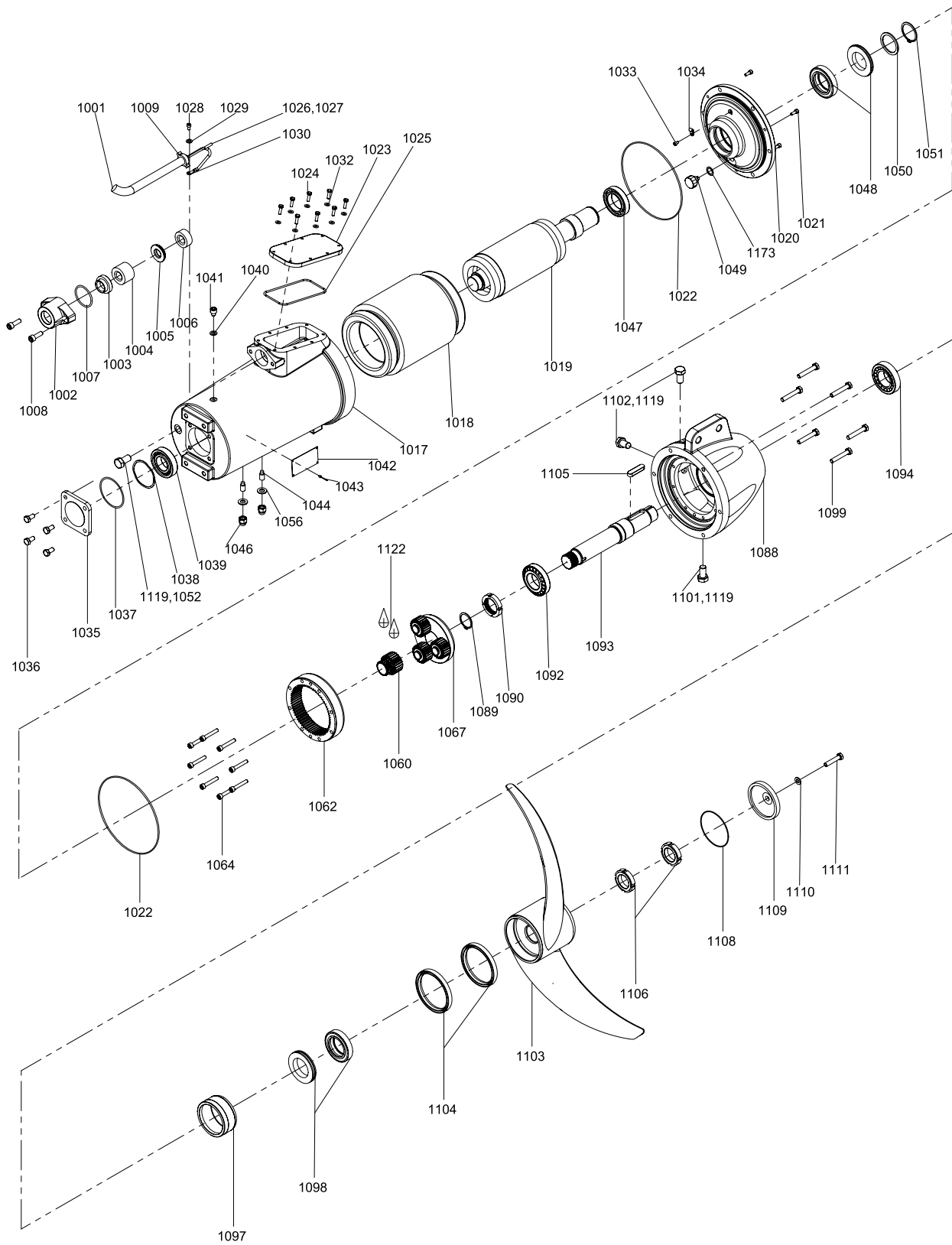
Pos.	Description/Kit No	95038409
1049	Water-in-oil sensor	1
1173	Seal washer	1

**Wear ring**

Pos.	Description/Kit No	95037375	
1022	O-ring	215.59 x 3.53	1
1097	Wear ring ceramic	1	
1104	Lip seal	2	
	O-ring	94.92 x 2.62	1
1108	O-ring	184.0 x 3.0	1
	O-ring	225.0 x 3.0	1
1110	Washer	1	
1157	Gasket	1	



SMG.48-120 (50/60 Hz) and SMG.75-160 (60 Hz North America)



TM062484

**Gear**

Pos.	Description	50 Hz	SMG.48.73 SMG.85.86 SMG.110.86	SMG.56.86 SMG.70.86	-
		60 Hz SI	-	SMG.95.86 SMG.120.86	SMG.56.86 SMG.70.86
Kit No		60 Hz US	-	SMG.130.34 SMG.160.34	SMG.75.34 SMG.95.34
			i = 4.833	i = 5.600	i = 6.750
			<b>95065518</b>	<b>95065517</b>	<b>95065524</b>
1060	Sun wheel		1	1	1
1062	Ring gear		1	1	1
1067	Planet gear complete		1	1	1

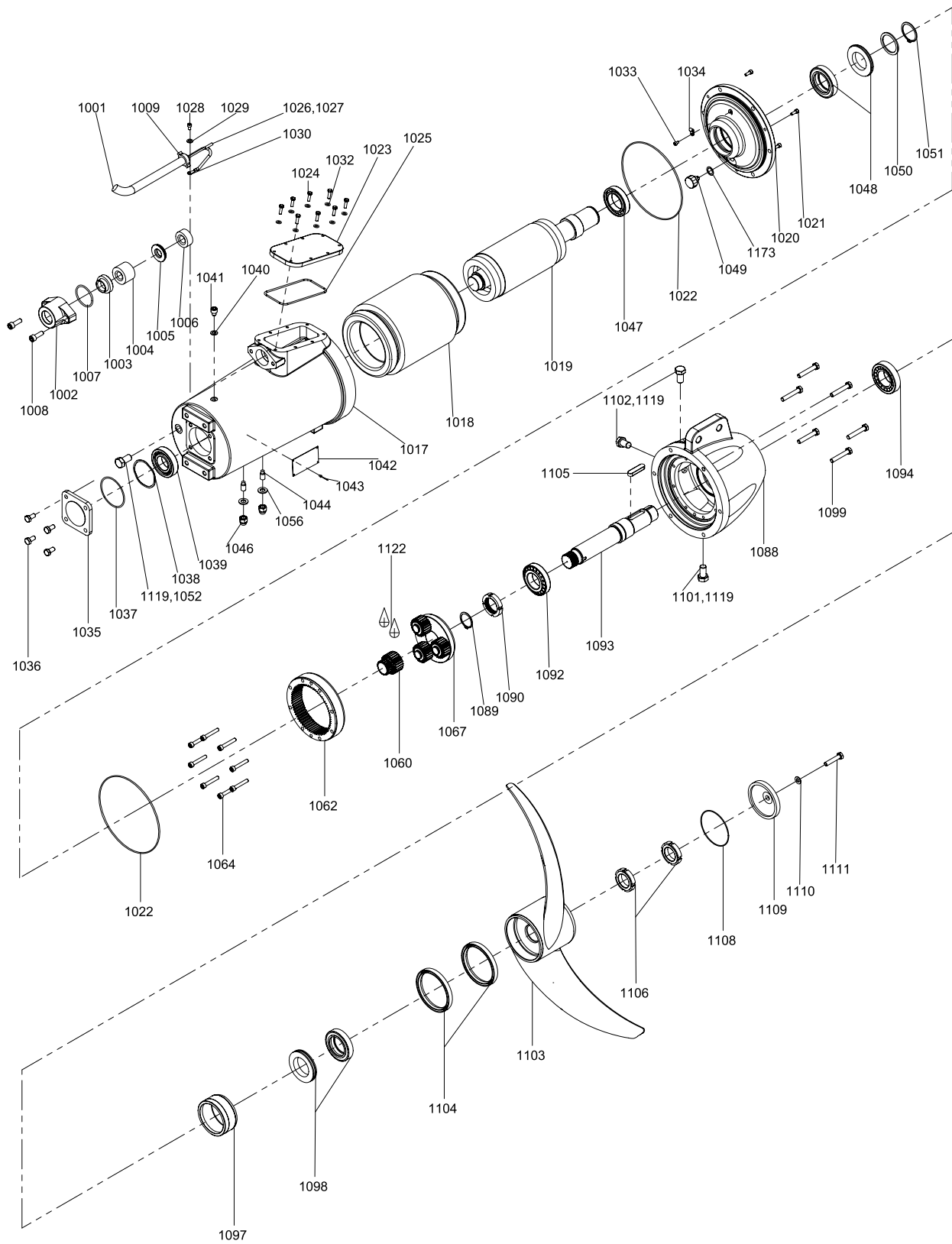
**Motor****Note:** Motor kit parts are pre-assembled.

Pos.	Description	50/60 Hz	SMG.48-70	SMG.85-120
		60 Hz US	SMG.75-95	SMG.130-160
Kit No			<b>95039702</b>	<b>95039703</b>
1002	Cable flange		1	1
1007	O-ring		1	1
1008	Cylinder head screw		2	2
1017	Motor housing		1	1
1018	Stator winded 4-pole 7.0 kW (9.5 hp)		1	-
	Stator winded 4-pole 13.0 kW (17.5 hp)		-	1
1019	Rotor with shaft 4-pole 7.0 kW (9.5 hp)		1	-
	Rotor with shaft 4-pole 13.0 kW (17.5 hp)		-	1
1020	Motor flange		1	1
1021	Cylinder head crew		3	3
1022	O-ring		2	2
1023	Terminal box cover		1	1
1024	Hexagon screw		8	8
1025	O-ring		1	1
1028	Cylinder head screw		1	1
1029	Lock washer		1	1
1033	Cylinder head screw		1	1
1034	Cable clamp		1	1
1035	Bearing cover		1	1
1036	Hexagon head screw		4	4
1037	O-ring		1	1
1038	Compensation disc		1	1
1039	Ball bearing 6208		1	1
1040	U-washer		1	1
1041	Cylinder head screw		1	1
1044	Set screw		2	2
1046	Nut		2	2
1047	Ball bearing 6010		1	1
1048	Mechanical shaft seal, rotor		1	1
	Mechanical shaft seal, stator		1	1
1049	Water-in-oil sensor		1	1
1050	Shim washer		1	1
1051	Circlip		1	1
1052	Plug		1	1
1056	Seal washer		2	2
1173	Seal washer		1	1

**Propeller**

Pos.	Description	50/60 Hz	SMG.48.73	SMG.56/85/95.86	SMG.70/110/120.86
		60 Hz US	-	SMG.75/130.34	SMG.95/160.34
		AISI 304	95039723	95039725	95039727
		AISI 316	95039724	95039726	95039728
1103	Propeller 4.8 kW (-)		1	-	-
	Propeller 5.6/8.5/9.5 kW (7.5/13.0 hp)		-	1	-
	Propeller 7.0/11.0/12.0 kW (9.5/16.0 hp)		-	-	1
1104	Lip seal		2	2	2
1105	Parallel key		1	1	1
1106	Slotted nut		2	2	2
1108	Gasket		1	1	1
1109	Hub cover		1	1	1
1110	Washer		1	1	1
1111	Screw		1	1	1

SMG.48-120 (50/60 Hz) and SMG.75-160 (60 Hz North America)



TM062484

**SMG.140-180 (50/60 Hz) and SMG.220 (60 Hz North America)****Bearing, motor**

Pos.	Description/Kit No	95065474
1038	Compensation disc	1
1039	Ball bearing 6210 2RS1/C3	1
1047	Ball bearing 6210 2RS1/C3	1

**Bearing, gearbox**

Pos.	Description/Kit No	95065475
1090	Slotted nut	1
1091	Lock washer	1
1092	Tapered roller bearing 30212	1
1094	Tapered roller bearing 33212	1

**Cable (7G4+4x1.0)**

Pos.	Description/Kit No	95038520	95038521
1001	Cable	10 m / 32 ft	15 m / 49 ft
1026	Cable joint	6	6
1027	Cable joint	4	4
1030	Cable shoe	1	1

**Cable entry 4.0 mm<sup>2</sup>**

Pos.	Description/Kit No	95065473	
1003	Cable guide	1	
1004	cable seal, large	1	
1005	Thrust washer	1	
1006	cable seal, small	1	
1007	O-ring	54.0 x 3.0	1
1008	Screw	2	
1009	Cable relief	1	
1025	O-ring	139.29 x 3.53	1
1026	Cable joint	6	
1027	Cable joint, small	4	
1030	Cable shoe	7	
-	Shrink tube for connections	10	

**Gear housing**

**Note:** Gear housing kit parts are pre-assembled.

Pos.	Description/Kit No	95038516
1088	Gear housing	1
1090	Slotted nut	1
1091	Lock washer	1
1092	Tapered roller bearing 30212	1
1093	Gear shaft	1
1094	Tapered roller bearing 33212	1
1095	Intermediate ring	1
1101	Drain plug with magnet	1
1102	Plug	2
1105	Parallel key	1
1119	PTFE tape	1

**Gasket kit**

Pos.	Description/Kit No	95065472	
1004	cable seal, large	1	
1006	cable seal, small	1	
1007	O-ring	54.0 x 3.0	1

Pos.	Description/Kit No	95065472	
1022	O-ring	253.59 x 3.53	2
1025	O-ring	139.29 x 3.53	1
1037	O-ring	91.67 x 3.53	1
1048	Mechanical shaft seal, rotor	1	
	Mechanical shaft seal, stator	1	
1050	Shim washer	1	
1051	Circlip	1	
1108	O-ring	120.2 x 3.53	1

**Propeller**

Pos.	Description/Kit No	50/60 Hz	SMG.140-180
		60 Hz US	SMG.220
		AISI 304	95039729
		AISI 316	95039730
1103	Propeller 18.0 kW (22 hp)		1
1104	Lip seal		2
1105	Parallel key		1
1106	Slotted nut		2
1108	Gasket		1
1109	Hub cover		1
1110	Washer		1
1111	Screw		1

**Radial seal**

Pos.	Description/Kit No	95039132	
1022	O-ring	253.59 x 3.53	1
1104	Lip seal	2	
	O-ring	120.24 x 3.53	1
1108	O-ring	225.0 x 3.0	1
	O-ring	94.92 x 2.62	1
1110	Washer	1	

**Shaft seal**

Pos.	Description/Kit No	95065478
1095	Intermediate ring	1
1098	Mechanical shaft seal, rotor	1
	Mechanical shaft seal, stator	1

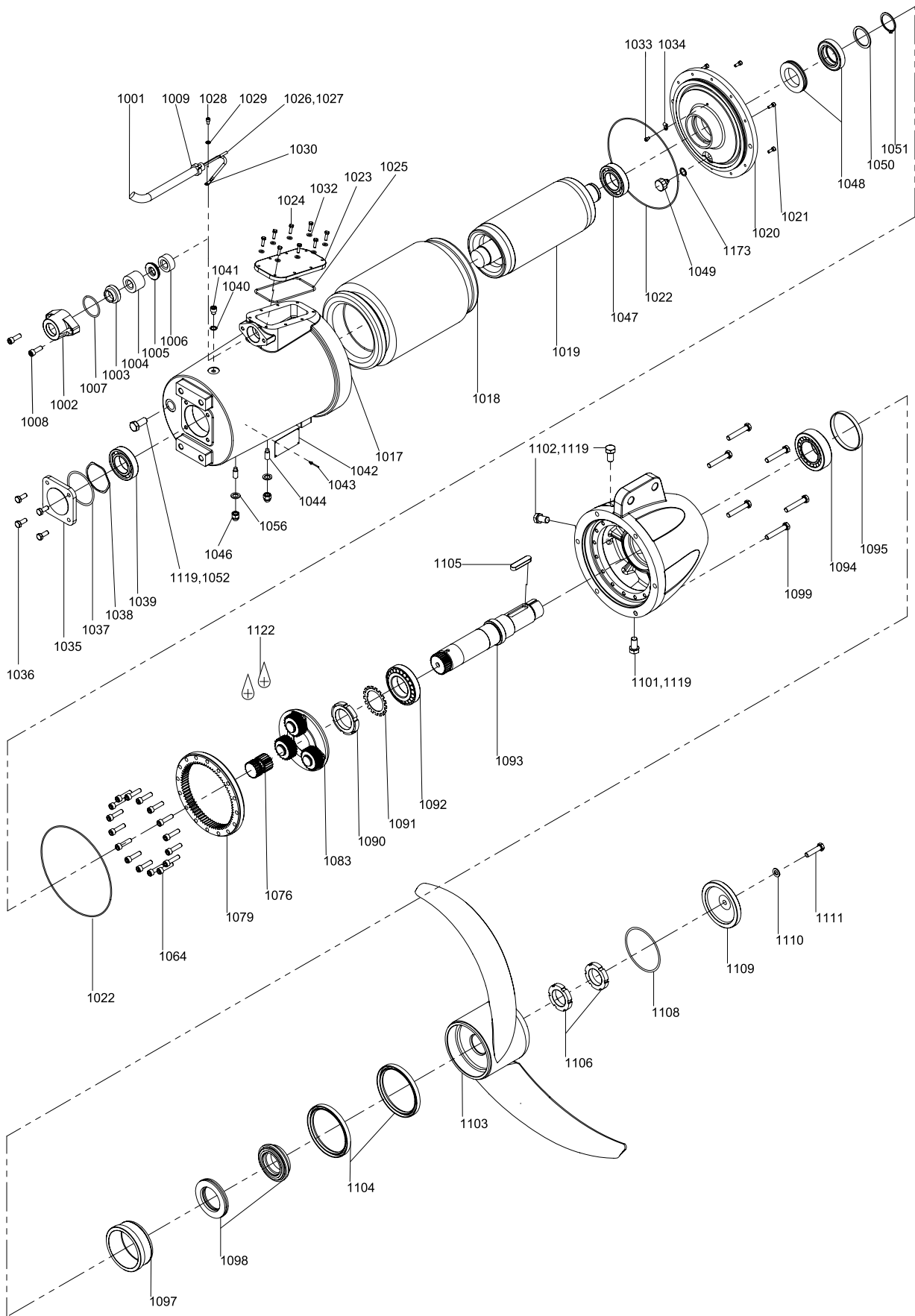
**Water-in-oil sensor**

Pos.	Description/Kit No	95038409
1049	Water-in-oil sensor	1
1173	Seal washer	1

**Wear ring**

Pos.	Description/Kit No	95037376	
1022	O-ring	253.59 x 3.53	1
1097	Wear ring ceramic	1	
1104	Lip seal	2	
	O-ring	120.2 x 3.53	1
1108	O-ring	225.0 x 3.0	1
	O-ring	94.92 x 2.62	1
1110	Washer	1	

SMG.140-180 (50/60 Hz) and SMG.220 (60 Hz North America)



TM063063

**Gear**

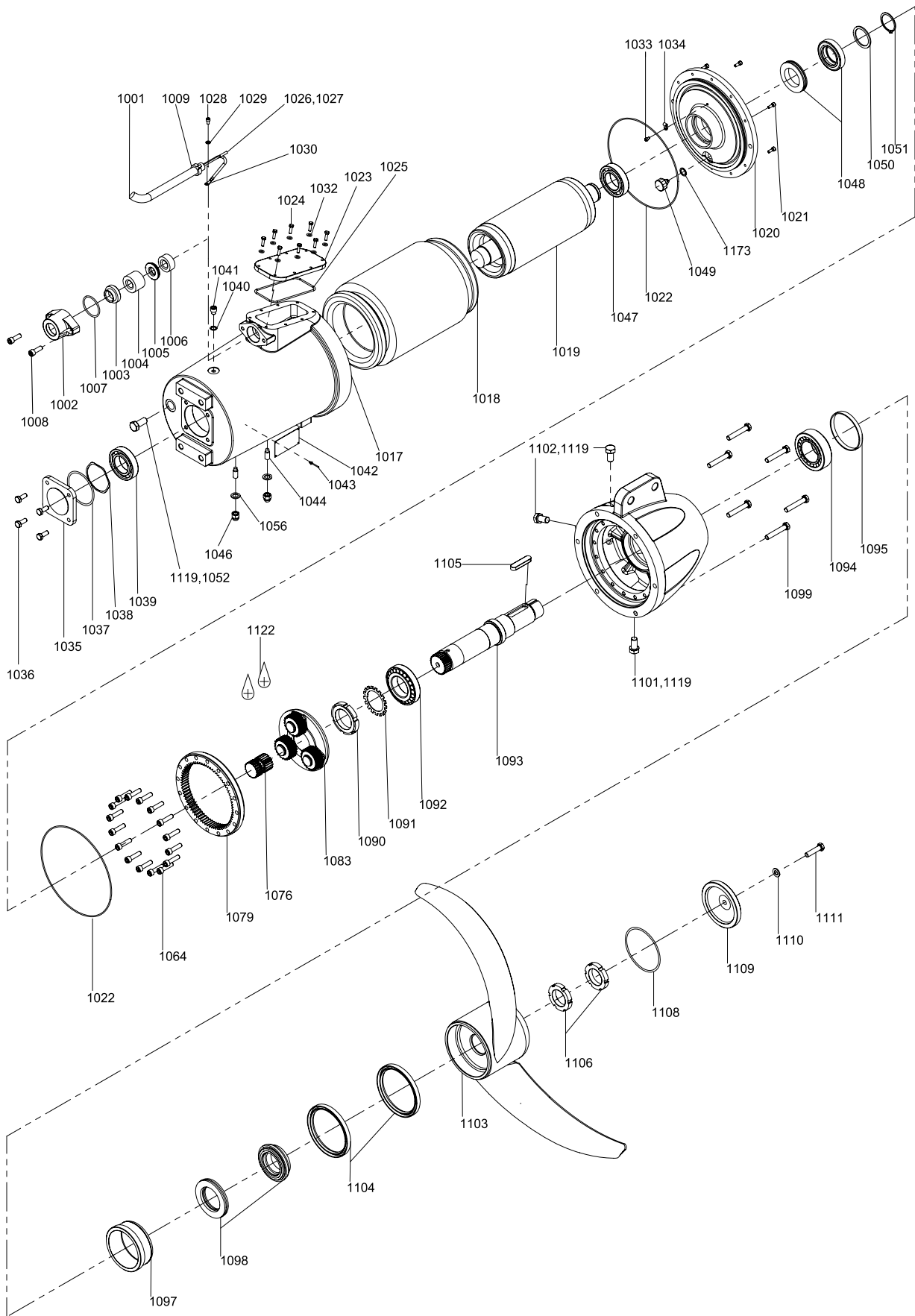
Pos.	Description	50 Hz	SMG.180.90	SMG.140.90	-
		60 Hz SI	-	-	SMG.160.90
		60 Hz US	-	-	SMG.220.35
		Kit No	i = 4.125	i = 4.571	i = 5.167
			95065496	95038611	95065525
1076	Sun wheel		1	1	1
1079	Ring gear		1	1	1
1083	Planet carrier		1	1	1

**Motor**

**Note:** Motor kit parts are pre-assembled.

Pos.	Description	50/60 Hz	SMG.140-180
		60 Hz US	SMG.220
		Kit No	95039704
1002	Cable flange		1
1007	O-ring		1
1008	Cylinder head screw		2
1017	Motor housing		1
1018	Stator 4-pole 24 kW (32 hp)		1
1019	Rotor with shaft 4-pole 24 kW (32 hp)		1
1020	Motor flange		1
1021	Screw		6
1022	O-ring		2
1023	Terminal box cover		1
1024	Screw		8
1025	O-ring		1
1028	Screw		1
1029	Lock washer		1
1033	Screw		1
1034	Cable clamp		1
1035	Bearing cover		1
1036	Screw		4
1037	O-ring		1
1038	Compensation disc		1
1039	Ball bearing 6210		1
1040	U-washer		1
1041	Screw		1
1044	Set screw		2
1046	Nut		2
1047	Ball bearing 6210		1
1048	Mechanical shaft seal, rotor		1
	Mechanical shaft seal, stator		1
1049	Water-in-oil sensor		1
1050	Shim		1
1051	Circlip		1
1052	Plug		1
1056	Seal washer		2
1173	Seal washer		1

SMG.140-180 (50/60 Hz) and SMG.220 (60 Hz North America)



TM063063



## SMG.A (agriculture business)

## Propeller

Pos.	Description/Kit No	50 Hz	SMG.A.45	SMG.A.75	SMG.A.80	SMG.A.130	SMG.A.110
		AISI 304	95038464	95038470	95038476	95038477	95039491
		AISI 316	95038468	95038473	95038479	95038480	-
1103	Propeller 4.0 kW		1	-	-	-	-
	Propeller 7.5 kW		-	1	1	-	-
	Propeller 11.0 kW		-	-	-	1	1
1104	Lip seal		2	2	2	2	2
1105	Parallel key		1	1	1	1	1
1106	Slotted nut		2	2	2	2	2
1108	O-ring		1	1	1	1	1
1109	Hub cover		1	1	1	1	1
1110	Washer		1	1	1	1	1
1111	Screw		1	1	1	1	1

## Bearing, motor

Pos.	Description/Kit No	SMG.A.45	SMG.A.75-130
		95065458	96645955
1038	Compensation disc	1	1
1039	Ball bearing 6206 2RS	1	1
1047	Ball bearing 6207 2RS	1	1

## Bearing, gearbox

Pos.	Description/Kit No	SMG.A.45	SMG.A.75-130
		95065459	95065467
1090	Slotted nut	1	1
1091	Lock washer	1	1
1092	Tapered roller bearing 30212	1	1
1094	Tapered roller bearing 33212	1	1

Cable (12 x 1.5 mm<sup>2</sup>, Ø17.3)

Pos.	Description/Kit No	95038410	95038411	95038412
		10 m	15 m	25 m
1001	Cable			
1030	Cable shoe	1	1	1
1177	Cable joint	10	10	10

Cable entry 1.5 mm<sup>2</sup>

Pos.	Description/Kit No	95065473
1003	Cable guide	1
1004	Cable seal, large	1
1005	Thrust washer	1
1006	Cable seal, small	1
1007	O-ring	54.0 x 3.0
1008	Screw	2
1009	Cable relief	1
1025	O-ring	133.97 x 3.53
1026	Press connector (cable)	6
	Press connector (signal)	4
1030	Cable shoe	7
-	Shrink tube for connectors	

## Gasket

Pos.	Description/Kit No	95065455
1004	cable seal, large	1
1006	cable seal, small	1
1007	O-ring	36.22 x 1.78
1022	O-ring	158.42 x 2.62
1025	O-ring	113.97 x 2.62
1037	O-ring	63.22 x 1.78
1054	Lip seal	1
1055	Lip seal	1
1108	O-ring	85.0 x 2.5

## Gear

Pos.	Description	50 Hz	SMG.A.45	SMG.A.75-130
		Kit No	i = 4.28	i = 4.28
			95065494	95065495
1060	Sun wheel		1	1
1062	Ring gear		1	1
1067	Planet carrier		1	1

## Gear housing

Pos.	Description/Kit No	95038404
1088	Gear housing	1
1090	Slotted nut	1
1091	Lock washer	1
1092	Tapered roller bearing 30207	1
1093	Gear shaft	1
1094	Tapered roller bearing 30207	1
1101	Drain plug with magnet	1
1102	Plug	2
1105	Parallel key	1
1164	Retaining ring	1

**Radial seal**

Pos.	Description/Kit No		95039130
1104	Lip seal		2
	O-ring	85.0 x 2.5	1
1108	O-ring	105.0 x 3.0	1
	O-ring	184.0 x 3.0	1
1110	Washer		1
1157	Gasket NBR	70 D96 x 75 x 2	1
	Gasket NBR	70 D86/66 x 2	1

**Shaft seal**

Pos.	Description/Kit No		95065462
1095	Intermediate ring		1
1098	Mechanical shaft seal		1

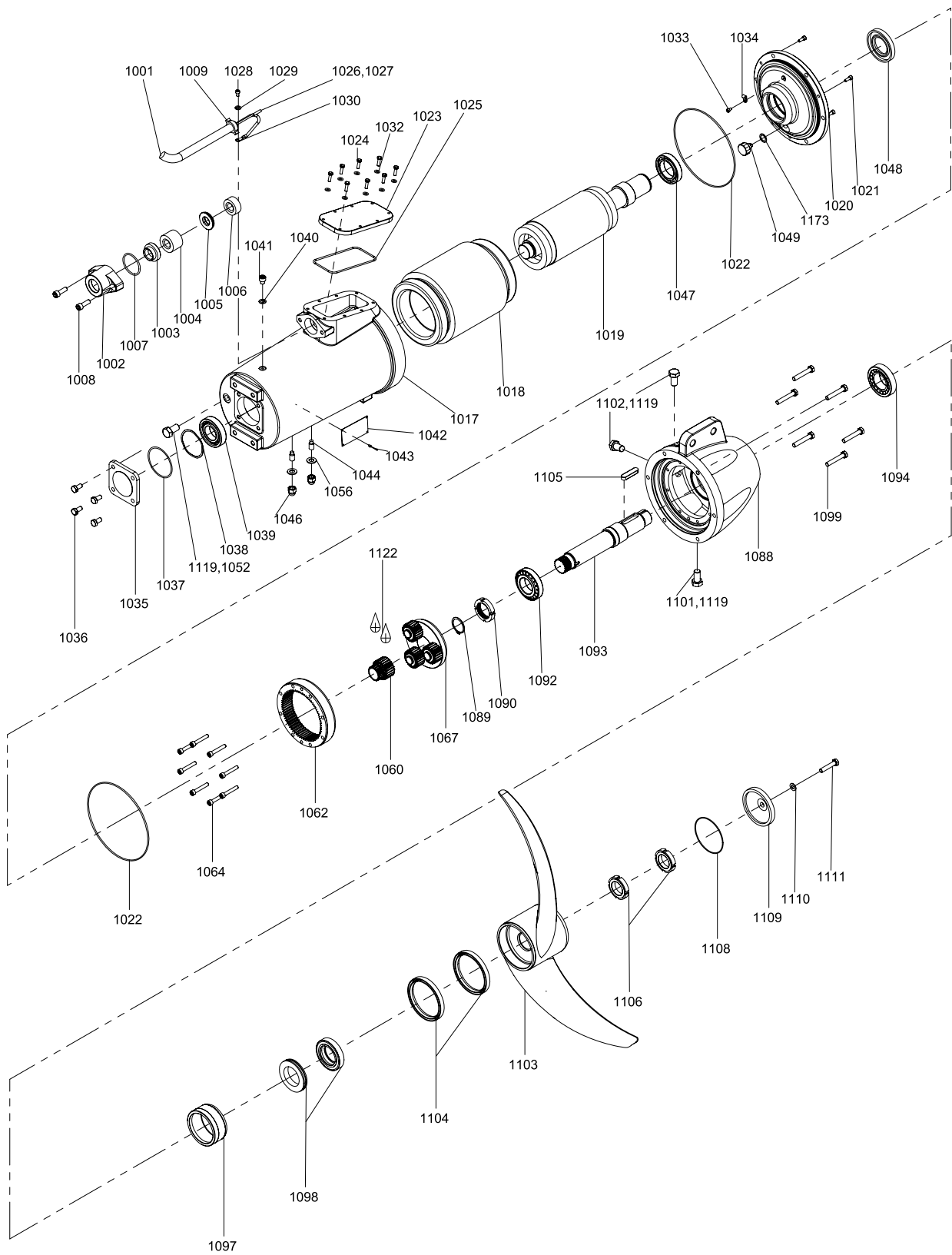
**Slotted nut**

Pos.	Description/Kit No		95038413
1106	Slotted nut		2
1107	Lock washer		2

**Wear ring**

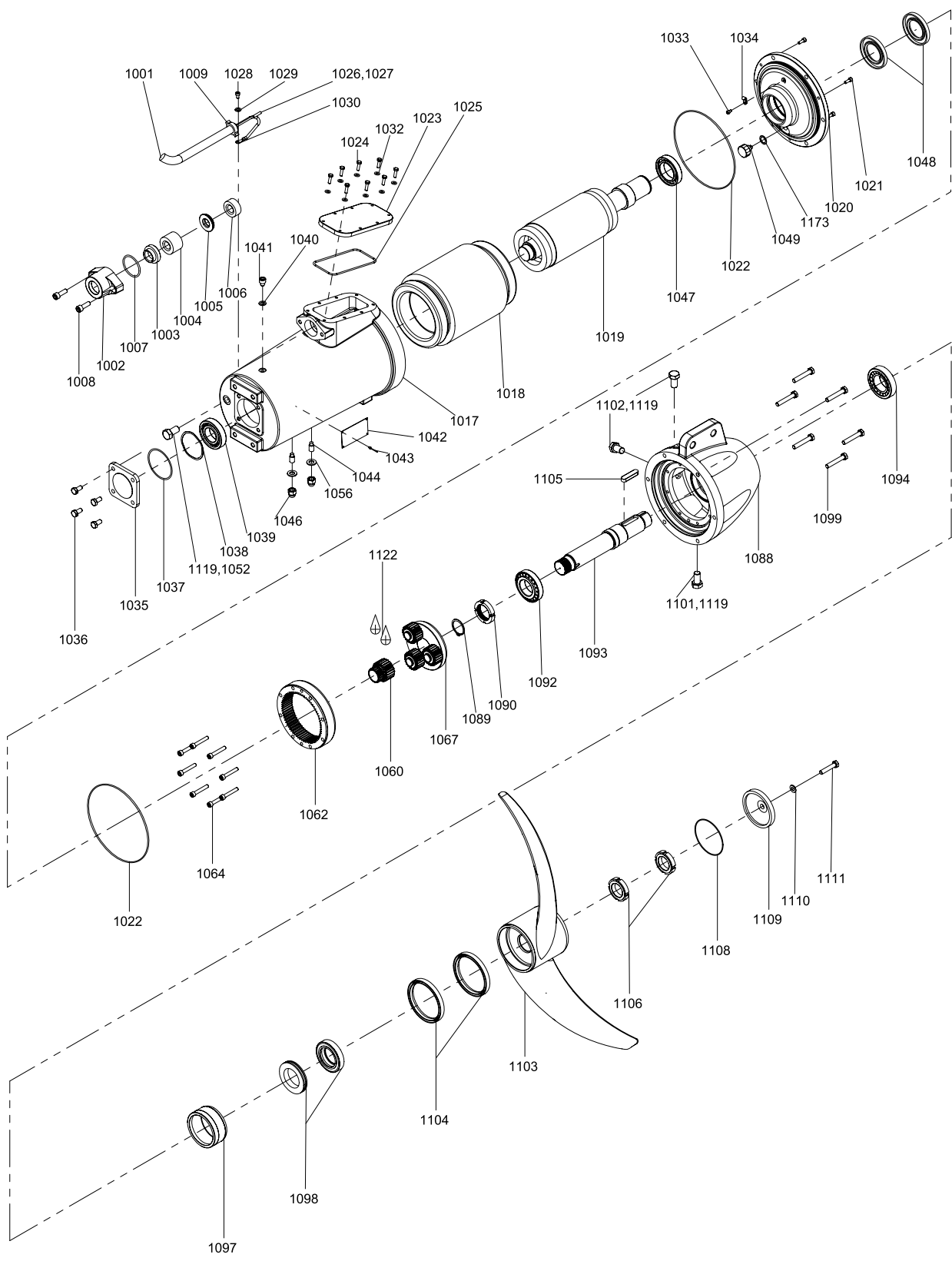
Pos.	Description/Kit No		95037374
1022	O-ring	158.42 x 2.62	1
1097	Wear ring ceramic		1
1104	Lip seal		2
	O-ring	85.0 x 2.5	1
1108	O-ring	105.0 x 3.0	1
	O-ring	184.0 x 3.0	1
1110	Washer		1
1157	Gasket NBR 70	96 x 75 x 2	1
	Gasket NBR 65	98 x 80 x 6	1

SMG.A.45



TM070287

SMG.A.75-130



TM070288

**SMG.H (heavy-duty)****Gear**

Pos.	Description/ Kit No	50 Hz				60 Hz	
		SMG.H.50	SMG.H.80	SMG.H.110	SMG.H.150	SMG.H.185	SMG.H.90
		i = 5.6	i = 5.6	i = 5.6	i = 4.57	i = 4.12	i = 5.6
		<b>95065517</b>	<b>95065518</b>	<b>95065495</b>	<b>95038611</b>	<b>95065496</b>	<b>95065517</b>
1060	Sun wheel	1	1	1	1	1	1
1062	Ring gear	1	1	1	1	1	1
1067	Planet gear	1	1	1	1	1	1

**Propeller**

Pos.	Description/Kit No	50 Hz		60 Hz	
		SMG.H.50/80/110	SMG.H.150/185	SMG.H.90	
		AISI 304	<b>95039491</b>	<b>95038509</b>	<b>95039491</b>
		AISI 306	n/a	<b>95038511</b>	n/a
1103	Propeller		1	1	1
1104	Lip seal		2	2	2
1105	Parallel key		1	1	1
1106	Slotted nut		2	2	2
1108	Gasket NBR	65 D135/113 x 12	1	1	1
1109	Hub cover		1	1	1
1110	Washer		1	1	1
1111	Screw		1	1	1

**Bearing, motor**

For SMG.H.50/80/110

Pos.	Description/Kit No	<b>96645955</b>
1038	Compensation disc	1
1039	Ball bearing 6208 2RS	1
1047	Ball bearing 6010 2RS	1

For SMG.H.150/185

Pos.	Description/Kit No	<b>95065474</b>
1038	Washer	1
1039	Ball bearing 6210 2RS	2

**Bearing, gearbox**

Pos.	Description/Kit No	SMG.H.50	SMG.H.150
		SMG.H.80	SMG.H.185
		SMG.H.110	
		<b>95065467</b>	<b>95065475</b>
1090	Slotted nut	1	1
1091	Washer	1	1
1092	Tapered roller bearing 30209	1	1
1094	Tapered roller bearing 33209	1	1

**Cable flange**

Pos.	Description/Kit No	<b>95036338</b>
1002	Cable, complete	1
1007	O-ring	54.0 x 3.0
1025	O-ring	139.29 x 3.53
1026	Cable press connector	4
1030	Cable end connector	6

Pos.	Description/Kit No	<b>95036338</b>
-	Shrink tube (D6.4-3.2)	-
-	Shrink tube (D12.7-6.4)	-
-	Shrink tube (D25.4-12.7)	-
-	Paint, modified epoxy, base (part A)	-
-	Paint, modified epoxy, curing agent (part B)	1

**Gear housing and hub cover**

Pos.	Description/Kit No	SMG.H.50	SMG.H.150
		SMG.H.80	SMG.H.185
		SMG.H.110	
		<b>95039319</b>	<b>95039320</b>
1088	Gear housing	1	1
1109	Hub cover	1	1

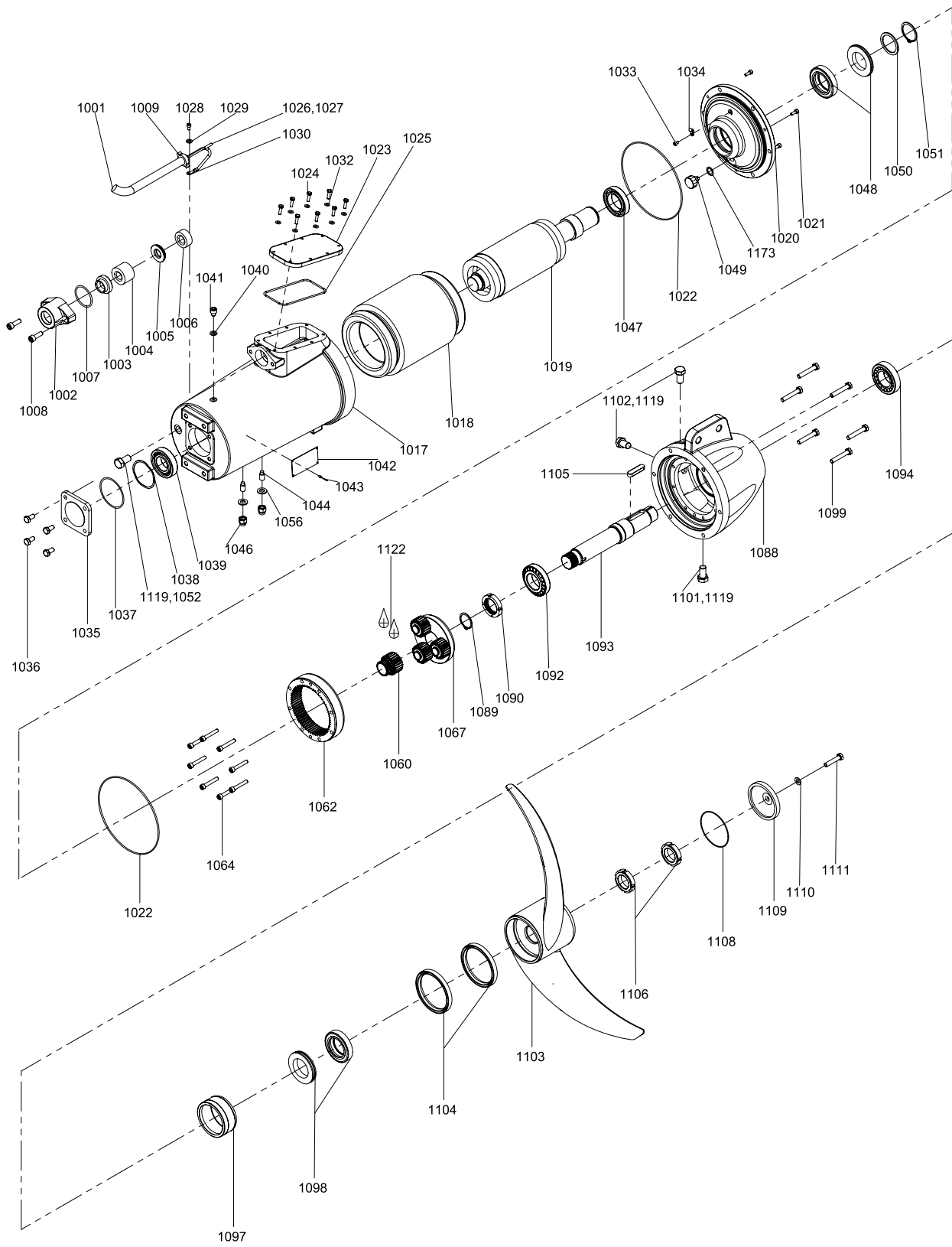
**Shaft seal**

Pos.	Description/Kit No	SMG.H.50	SMG.H.150
		SMG.H.80	SMG.H.185
		SMG.H.110	
		<b>95065470</b>	<b>95065478</b>
1095	Distance ring	-	1
1098	Mechanical shaft seal, rotor	1	1
	Mechanical shaft seal, stator	1	1

**WIO sensor**

Pos.	Description/Kit No	<b>95038409</b>
1049	WIO sensor	1
1173	Seal washer	1
-	Contacteur	2

SMG.H.50-110



TM062484



**Gasket**

Pos.	Description/Kit No	SMG.H.50	SMG.H.150
		SMG.H.80	SMG.H.185
		SMG.H.110	
		95065464	95065472
1004	Cable seal, large	1	1
1006	Cable seal, small	1	1
1007	O-ring 54.0 x 3.0	1	1
1008	O-ring	94.92 x 2.62	1
		120.24 x 3.53	-
1022	O-ring	215.57 x 2.62	2
		253.59 x 3.53	-
1025	O-ring 139.29 x 3.53	1	1
1037	O-ring	75.87 x 2.62	1
		91.67 x 3.53	-
1048	Shaft seal - rotor	1	1
	Shaft seal - stator	1	1
1050	Washer	1	1
1051	Circlip	1	1
1157	Gasket NBR 65	D106/90 x 10	1
		D135/113 x 12	-

**Radial seal**

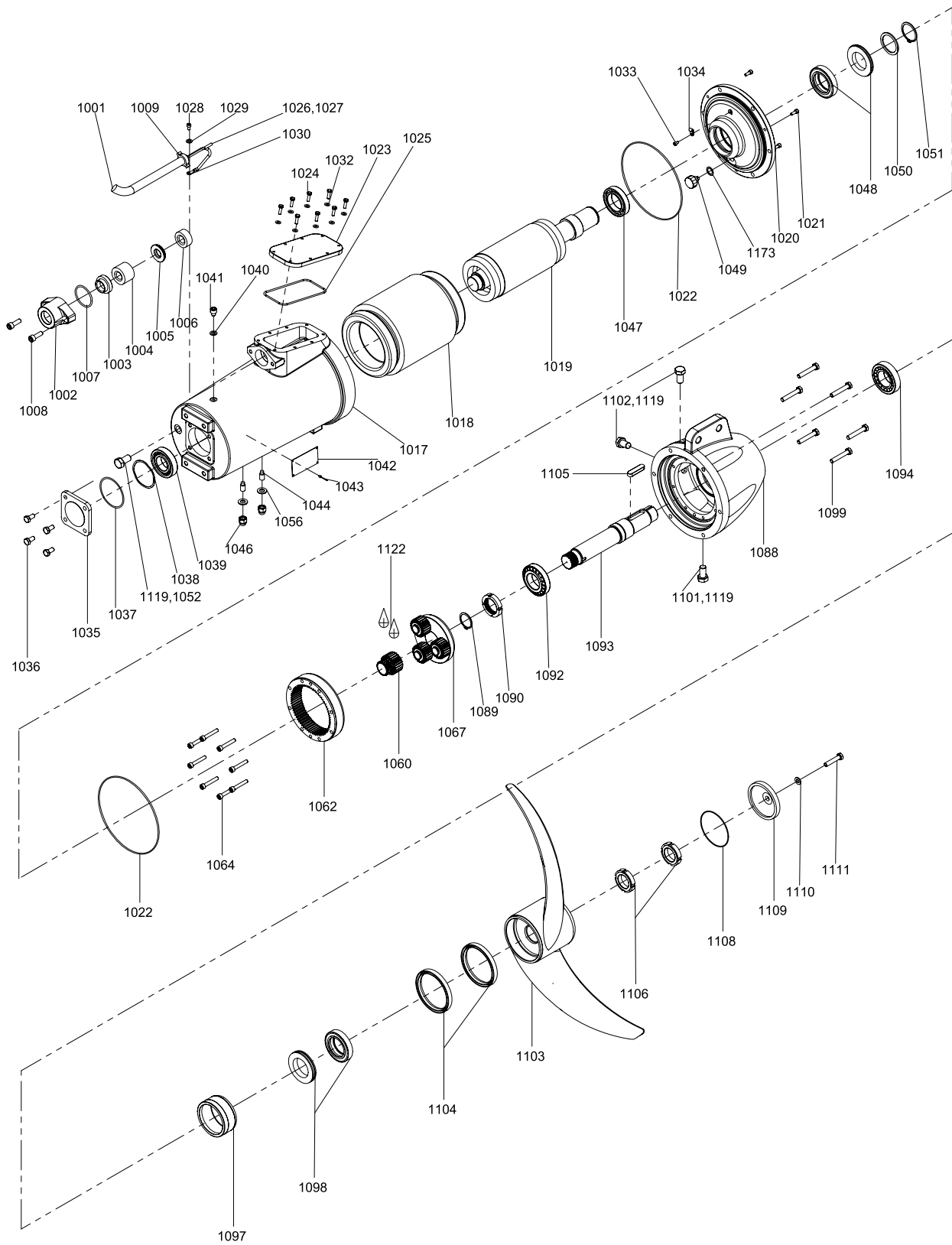
Pos.	Description/Kit No	SMG.H.50	SMG.H.150
		SMG.H.80	SMG.H.185
		SMG.H.110	
		95039131	95039132
1022	O-ring	215.57 x 2.62	1
		253.59 x 3.53	-
1104	Lip seal	2	2
	O-ring 94.92 x 2.62	1	1
1108	O-ring	184.0 x 3.0	1
		120.24 3.53	-
	O-ring 225.0 x 3.0	1	1
1110	Washer	1	1
	Gasket NBR 70 D96 x 75 x 2	1	-
1157	Gasket NBR 65 D106/90 x 10	1	1
	Gasket NBR 65 D135/133 x 12	-	1

**Wear ring**

Pos.	Description/Kit No	SMG.H.50	SMG.H.150
		SMG.H.80	SMG.H.185
		SMG.H.110	
		95037375	95037376
1022	O-ring	215.57 x 2.62	1
		253.59 x 3.53	-
1097	Wear ring ceramic	1	1
1104	Lip seal	2	2
	O-ring 94.92 x 2.62	1	1
1108	O-ring	184.0 x 3.0	1
		120.24 x 3.53	-
	O-ring 225.0 x 3.0	1	1
1110	Washer	1	1
	Gasket NBR 65 D135/113 x 12	1	1
1157	Gasket NBR 65 D106/90 x 10	-	1
	Gasket NBR 70 D96 x 75 x 2	1	-

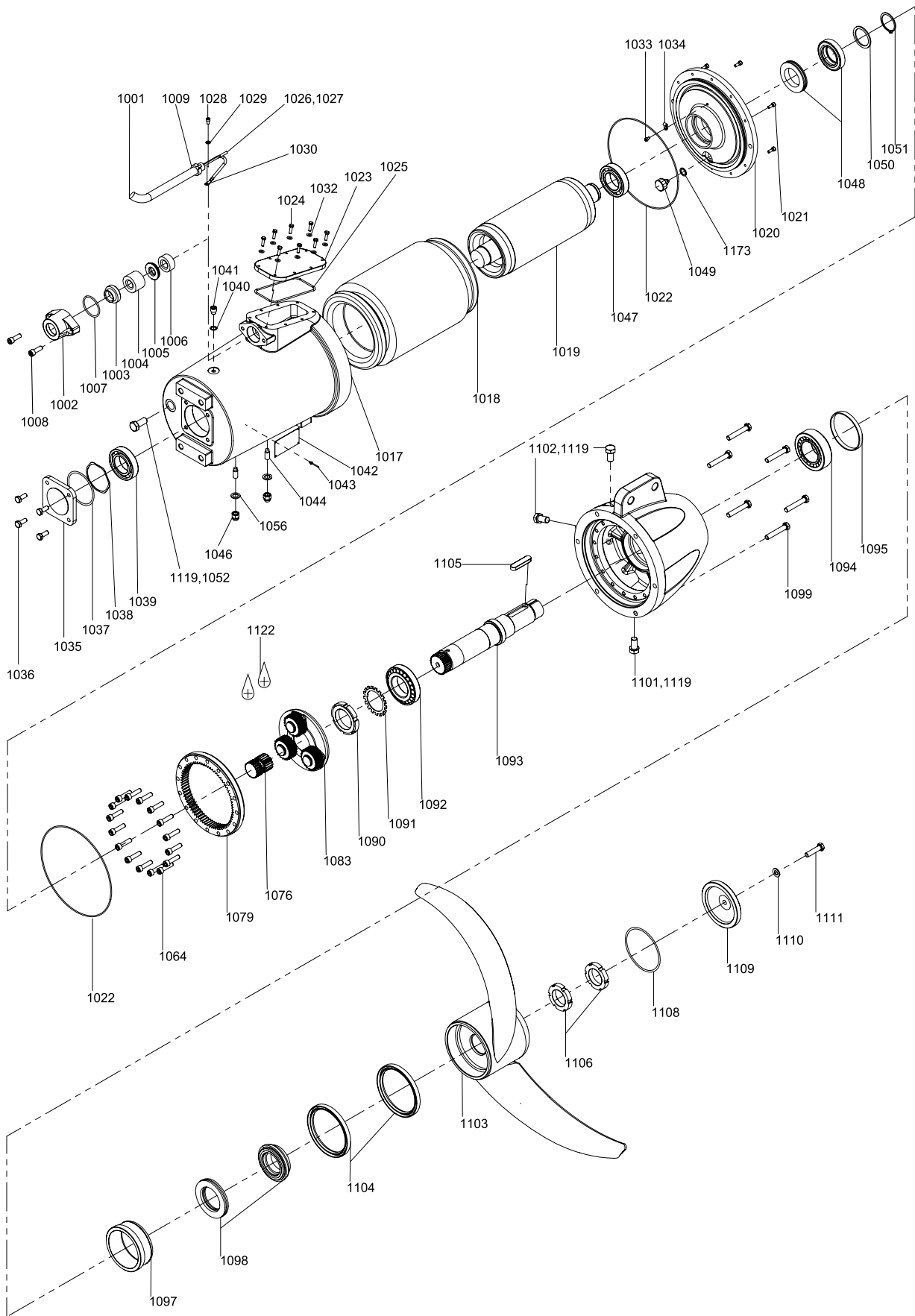


SMG.H.50-110



TM062484

SMG.H.150-185



TM063063

**SFG****SFG.xx.130 (50/60 Hz) and SFG.xx.51 (60 Hz North America)****Bearing, motor**

Pos.	Description/Kit No	95065458
1038	Compensation disc	1
1039	Ball bearing 6206 2RS1/C3	1
1047	Ball bearing 6207 2RS1/C3	1

**Bearing, gearbox**

Pos.	Description/Kit No	95065459
1090	Slotted nut	1
1091	Lock washer	1
1092	Tapered roller bearing 30207	1
1094	Tapered roller bearing 30207	1

**Cable (11G1.5)**

Pos.	Description/Kit No	95038410	95038411
1001	Cable	10 m / 32 ft	15 m / 49 ft
1026	Cable joint	6	6
1027	Cable joint	4	4
1030	Cable shoe	1	1

**Cable entry 1.5 mm<sup>2</sup>**

Pos.	Description/Kit No	95065457
1003	Cable guide	1
1004	cable seal, large	1
1005	Thrust washer	1
1006	cable seal, small	1
1007	O-ring	39.45 x 1.78
1008	Cylinder head screw	2
1009	Cable relief	1
1025	O-ring	113.97 x 2.62
1026	Cable joint	10
1030	Cable shoe	1
-	Shrink tube for connections	10

**Gasket kit**

Pos.	Description/Kit No	95065480
1004	cable seal, large	1
1006	cable seal, small	1
1007	O-ring	39.45 x 1.78
1022	O-ring	158.42 x 2.62
1025	O-ring	113.97 x 2.62
1037	O-ring	56.82 x 2.62
1048	Mechanical shaft seal, rotor	1
	Mechanical shaft seal, stator	1
1050	Shim	1
1051	Circlip	1
1157	Gasket NBR	70 D86/66 x 2
	Gasket NBR	70 96 x 75 x 2

**Gear housing**

**Note:** Gear housing kit parts are pre-assembled.

Pos.	Description/Kit No	95038404
1088	Gear housing	1
1089	Circlip	1
1090	Slotted nut	1
1091	Lock washer	1
1092	Tapered roller bearing 30207	1
1093	Gear shaft	1
1094	Tapered roller bearing 30207	1
1095	Intermediate ring	1
1101	Drain plug with magnet	1
1102	Plug	2
1105	Parallel key	1
1119	PTFE tape	1

**Propeller**

Pos.	Description/Kit No	95039731
1103	Propeller	1
1104	Lip seal	2
1105	Parallel key	1
1106	Slotted nut	2
1108	Gasket	1
1109	Hub cover	1
1110	Washer	1
1111	Screw	1

**Radial seal**

Pos.	Description/Kit No	95039130
1073	O-ring	158.42 x 2.62
1104	Lip seal	2
	O-ring	85.0 x 2.5
1108	O-ring	105.0 x 3.0
	O-ring	184.0 x 3.0
1110	Washer	1
1157	Gasket NBR	70 D86/66 x 2
	Gasket NBR	70 D96 x 75 x 2

**Shaft seal**

Pos.	Description/Kit No	95065462
1095	Intermediate ring	1
1098	Mechanical shaft seal, rotor	1
	Mechanical shaft seal, stator	1

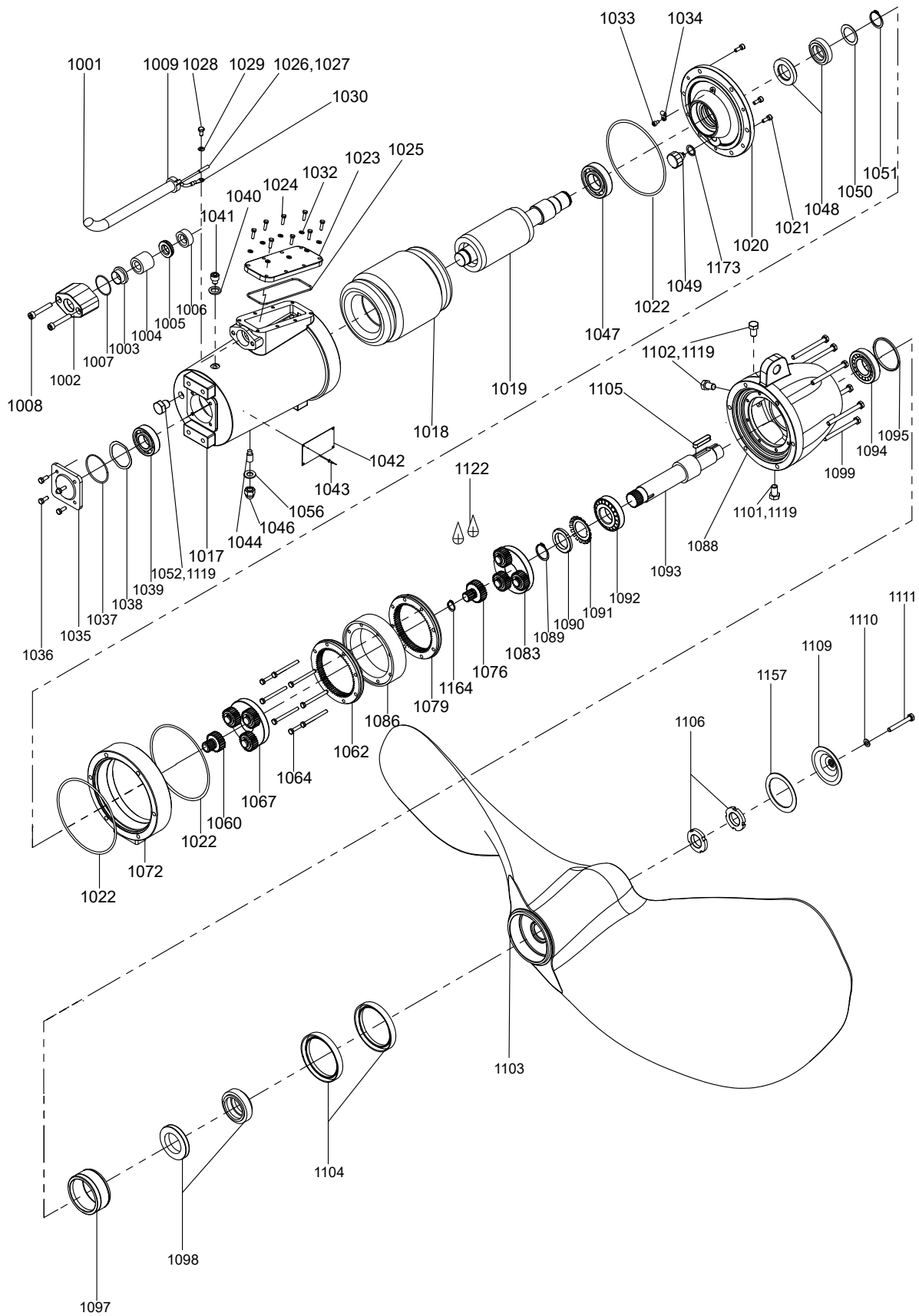
**Water-in-oil sensor**

Pos.	Description/Kit No	95038409
1049	Water-in-oil sensor	1
1173	Seal washer	1

**Wear ring**

Pos.	Description/Kit No		95037374
1022	O-ring	158.42 x 2.62	1
1097	Wear ring ceramic		1
1104	Lip seal		2
	O-ring	85.0 x 2.5	1
1108	O-ring	105.0 x 3.0	1
	O-ring	184.0 x 3.0	1
1110	Washer		1
	Gasket NBR	70 D86/66 x 2	1
1157	Gasket NBR	70 96 x 75 x 2	1

SFG.xx.130 (50/60 Hz) and SFG.xx.51 (60 Hz North America)



TM062483

## Gear

50 Hz	60 Hz SI	60 Hz US	STEP 1					STEP 2	
			i = 3.875	i = 4.286	i = 4.833	i = 5.600	i = 6.750	i = 3.556	i = 3.875
SFG.07.130						95065509		95038555	
	SFG.07.130	SFG.10.51				95065509			95038554
SFG.10.130					95065510		95038555		
	SFG.10.130	SFG.14.51			95065510				95039554
SFG.14.130				95065494			95038555		
	SFG.14.130	SFG.19.51		95065494					95039554
SFG.17.130						95065509		95039709	
	SFG.17.130	SFG.23.51					95065523	95039709	
SFG.22.130						95065509		95038555	
	SFG.22.130	SFG.30.51					95065523	95038555	
SFG.27.130				95065494					95038554
	SFG.29.130	SFG.39.51				95065509		95039709	
SFG.33.130					95065510		95038555		
	SFG.33.130	SFG.44.51			95065510				95038554
SFG.36.130 <sup>98)</sup>				95065512					95038554
	SFG.36.130	SFG.48.51				95065509		95038555	

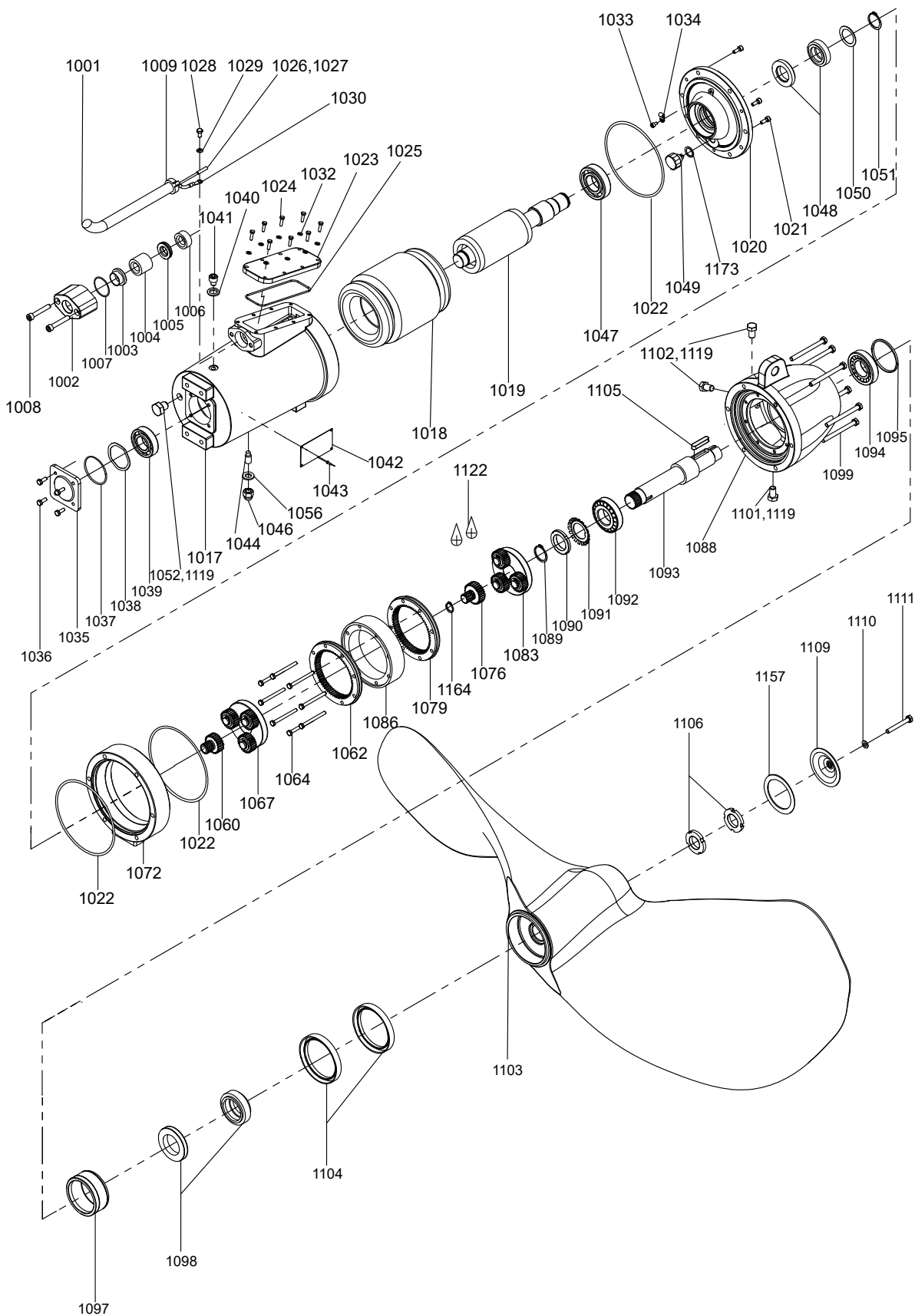
<sup>98)</sup> Valid for products with production code 1601 and higher (production from 2016)

Pos.	Description/Kit No	95065512	95065494	95065510	95065509	95065523	95038555	95039709	95038554
1060	Sun wheel	1	1	1	1	1	-	-	-
1062	Ring gear	1	1	1	1	1	-	-	-
1067	Planet gear complete	1	1	1	1	1	-	-	-
1076	Sun wheel	-	-	-	-	-	1	1	1
1079	Ring gear	-	-	-	-	-	1	1	1
1083	Planet carrier	-	-	-	-	-	1	1	1
1164	Circlip	-	-	-	-	-	1	1	1

**Motor****Note:** Motor kit parts are pre-assembled.

Pos.	Description	50/60 Hz	SFG.07-14.130	SFG.17-36.130
		60 Hz US	SFG.10-19.51	SFG.23-48.51
		Kit No	95039700	95039701
1002	Cable flange		1	1
1007	O-ring		1	1
1008	Screw		2	2
1017	Motor housing		1	1
1018	Stator wound 6-pole 1.8 kW (2.4 hp)		1	-
	Stator wound 4-pole 3.6 kW (4.8 hp)		-	1
1019	Rotor with shaft 6-pole 1.8 kW (2.4 hp)		1	-
	Rotor with shaft 4-pole 3.6 kW (4.8 hp)		-	1
1020	Motor flange		1	1
1021	Screw		3	3
1022	O-ring		2	2
1023	Terminal box cover		1	1
1024	Screw		8	8
1025	O-ring		1	1
1028	Screw		1	1
1029	Lock washer		1	1
1033	Screw		1	1
1034	Cable clamp		1	1
1035	Bearing cover		1	1
1036	Screw		4	4
1037	O-ring		1	1
1038	Compensation disc		1	1
1039	Ball bearing 6206		1	1
1040	Washer		1	1
1041	Screw		1	1
1044	Set screw		1	1
1046	Nut		1	1
1047	Ball bearing 6207		1	1
1048	Mechanical shaft seal, rotor		1	1
	Mechanical shaft seal, stator		1	1
1049	Water-in-oil sensor		1	1
1050	Shim		1	1
1051	Circlip		1	1
1052	Plug		1	1
1056	Seal washer		1	1
1173	Seal washer		1	1

SFG.xx.130 (50/60 Hz) and SFG.xx.51 (60 Hz North America)



TM062483



**SFG.xx.180 (50/60 Hz) and SFG.xx.71 (60 Hz North America)****Bearing, motor**

Pos.	Description/Kit No	95065458
1038	Compensation disc	1
1039	Ball bearing 6206 2RS1/C3	1
1047	Ball bearing 6207 2RS1/C3	1

**Bearing, gearbox**

Pos.	Description/Kit No	95065467
1090	Slotted nut; elastic stop	1
1092	Tapered roller bearing 30209	1
1094	Tapered roller bearing 32209	1

**Cable (11G1.5)**

Pos.	Description/Kit No	95038410	95038411
1001	Cable	10 m / 32 ft	15 m / 49 ft
1026	Cable joint	6	6
1027	Cable joint	4	4
1030	Cable shoe	1	1

**Cable entry 1.5 mm<sup>2</sup>**

Pos.	Description/Kit No	95065457	
1003	Cable guide	1	
1004	cable seal, large	1	
1005	Thrust washer	1	
1006	cable seal, small	1	
1007	O-ring	39.45 x 1.78	1
1008	Cylinder head screw	2	
1009	Cable relief	1	
1025	O-ring	113.97 x 2.62	1
1026	Cable joint	10	
1030	Cable shoe	1	
-	Shrink tube for connections	10	

**Gasket kit**

Pos.	Description/Kit No	95065483	
1004	cable seal, large	1	
1006	cable seal, small	1	
1007	O-ring	39.45 x 1.78	1
1022	O-ring	158.42 x 2.62	2
1025	O-ring	113.97 x 2.62	1
1037	O-ring	56.82 x 2.62	1
1048	Mechanical shaft seal, rotor	1	
	Mechanical shaft seal, stator	1	
1050	Shim washer	1	
1051	Circlip	1	
1073	O-ring	215.57 x 2.62	1
1157	Gasket NBR	70 96 x 75 x 2	1

**Gear housing**

**Note:** Gear housing kit parts are pre-assembled.

Pos.	Description/Kit No	95038481
1088	Gear housing	1
1089	Circlip	1
1090	Slotted nut	1
1092	Tapered roller bearing 30209	1
1093	Gear shaft	1
1094	Tapered roller bearing 32209	1
1101	Drain plug with magnet	1
1102	Plug	2
1105	Parallel key	1
1119	PTFE tape	3

**Propeller**

Pos.	Description	50/60 Hz	SFG.07-29.180	SFG.32-40.180
		60 Hz US	SFG.10-39.71	SFG.47-55.71
		Kit No	2 blades	3 blades
		95039732	95039733	
1104	Lip seal	2	2	
1105	Parallel key	1	1	
1106	Slotted nut	2	2	
1109	Hub cover	1	1	
1110	Washer	1	1	
1111	Screw	1	1	
1112	Hub (2 blades)	1	-	
	Hub (3 blades)	-	1	
1115	Screw	4	6	
1157	Gasket	1	1	
1159	Washer	8	12	
1160	Nut	4	6	
1161	Screw	2	3	
1162	Propeller blade type Ø1800	2	3	

**Radial seal**

Pos.	Description/Kit No	95039131	
1073	O-ring	215.57 x 2.62	1
1104	Lip seal		2
	O-ring	94.92 x 2.62	1
1108	O-ring	184.0 x 3.0	1
	O-ring	225.0 x 3.0	1
1110	Washer		1
1157	Gasket NBR	70 96 x 75 x 2	1

**Shaft seal**

Pos.	Description/Kit No	95065470
1098	Mechanical shaft seal, rotor	1
	Mechanical shaft seal, stator	1

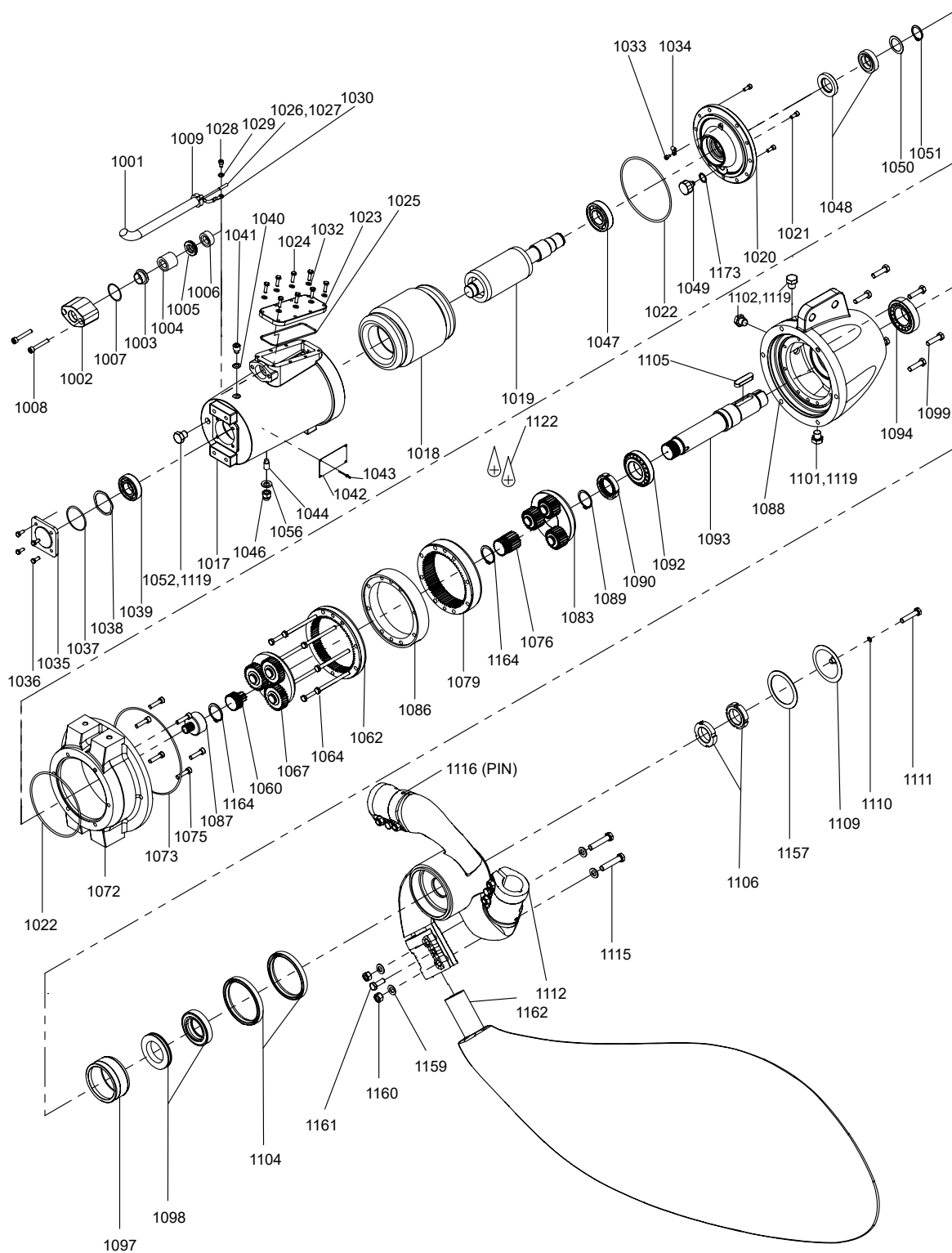
**Water-in-oil sensor**

Pos.	Description/Kit No	95038409
1049	Water-in-oil sensor	1
1173	Seal washer	1

**Wear ring**

Pos.	Description/Kit No		95037375
1073	O-ring	215.57 x 2.62	1
1097	Wear ring ceramic		1
1104	Lip seal		2
	O-ring	94.92 x 2.62	1
1108	O-ring	184.0 x 3.0	1
	O-ring	225.0 x 3.0	1
1110	Washer		1
1157	Gasket NBR	70 96 x 75 x 2	1

SFG.xx.180 (50/60 Hz) and SFG.xx.71 (60 Hz North America)



TM062485

Gear

50 Hz	60 Hz SI	60 Hz US	STEP 1			STEP 2	
			i = 5.600	i = 6.750	i = 8.667	i = 3.556	i = 3.875
SFG.07.180				<a href="#">95038581</a>	<a href="#">95038582</a>		
	SFG.07.180	SFG.10.71		<a href="#">95038581</a>			<a href="#">95038583</a>
SFG.10.180			<a href="#">95039711</a>				<a href="#">95038584</a>

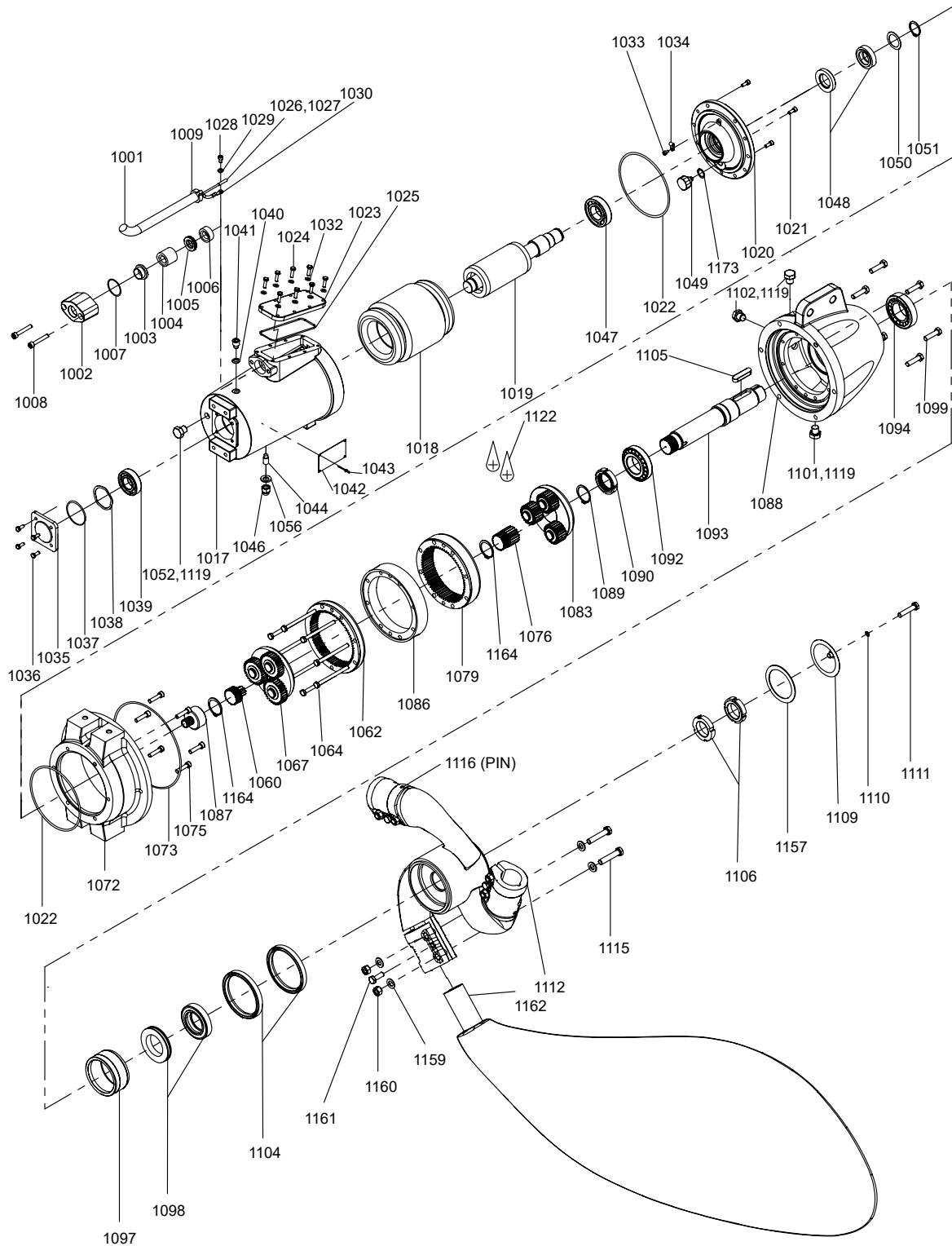
50 Hz	60 Hz SI	60 Hz US	STEP 1			STEP 2			
			i = 5.600	i = 6.750	i = 8.667	i = 3.556	i = 3.875	i = 4.286	i = 4.833
	SFG.10.180	SFG.14.71		95039710					95038584
SFG.14.180				95039710		95038582			
	SFG.14.180	SFG.19.71		95039710				95038583	
SFG.17.180					95038581		95039712		
	SFG.17.180	SFG.23.71			95038581				95038584
SFG.22.180					95038581	95038582			
	SFG.22.180	SFG.30.71			95038581			95038583	
SFG.26.180				95039710				95038583	
	SFG.29.180	SFG.39.71			95038581		95039712		
SFG.32.180				95039710				95038583	
	SFG.35.180	SFG.47.71			95038581		95039712		
SFG.36.180			95039711						95038584
	SFG.38/40.180	SFG.55.71		95039710					95038584

Pos.	Description/Kit No	95039711	95039710	95038581	95038582	95039712	95038583	95038584
1060	Sun wheel	1	1	1	-	-	-	-
1062	Ring gear	1	1	1	-	-	-	-
1067	Planet gear complete	1	1	1	-	-	-	-
1076	Sun wheel	-	-	-	1	1	1	1
1079	Ring gear	-	-	-	1	1	1	1
1083	Planet carrier	-	-	-	1	1	1	1
1087	Gear coupling	1	1	1	-	-	-	-
1164	Circlip	1	1	1	1	1	1	1

**Motor****Note:** Motor kit parts are pre-assembled.

Pos.	Description	50/60 Hz	SFG.07-16.180	SFG.17-40.180
		60 Hz US	SFG.10-22.71	SFG.23-55.71
		Kit No	95039700	95039701
1002	Cable flange		1	1
1007	O-ring		1	1
1008	Screw		2	2
1017	Motor housing		1	1
1018	Stator wound 6-pole 1.8 kW (2.4 hp)		1	-
	Stator wound 4-pole 3.6 kW (4.8 hp)		-	1
1019	Rotor with shaft 6-pole 1.8 kW (2.4 hp)		1	-
	Rotor with shaft 4-pole 3.6 kW (4.8 hp)		-	1
1020	Motor flange		1	1
1021	Screw		3	3
1022	O-ring		2	2
1023	Terminal box cover		1	1
1024	Screw		8	8
1025	O-ring		1	1
1028	Screw		1	1
1029	Lock washer		1	1
1033	Screw		1	1
1034	Cable clamp		1	1
1035	Bearing cover		1	1
1036	Screw		4	4
1037	O-ring		1	1
1038	Compensation disc		1	1
1039	Ball bearing 6206		1	1
1040	U-washer		1	1
1041	Screw		1	1
1044	Set screw		1	1
1046	Nut		1	1
1047	Ball bearing 6207		1	1
1048	Mechanical shaft seal, rotor		1	1
	Mechanical shaft seal, stator		1	1
1049	Water-in-oil sensor		1	1
1050	Shim		1	1
1051	Retaining ring		1	1
1052	Plug		1	1
1056	Seal washer		1	1
1173	Seal washer		1	1

SFG.xx.180 (50/60 Hz) and SFG.xx.71 (60 Hz North America)



TM062485

**SFG.xx.230 (50/60 Hz) and SFG.xx.91 (60 Hz North America)****Bearing, motor**

Pos.	Description/Kit No	95065458
1038	Compensation disc	1
1039	Ball bearing 6206 2RS1/C3	1
1047	Ball bearing 6207 2RS1/C3	1

**Bearing, gearbox**

Pos.	Description/Kit No	95065467
1090	Slotted nut; elastic stop	1
1092	Tapered roller bearing 30209	1
1094	Tapered roller bearing 32209	1

**Cable (11G1.5)**

Pos.	Description/Kit No	95038410	95038411
1001	Cable	10 m / 32 ft	15 m / 49 ft
1026	Cable joint	6	6
1027	Cable joint	4	4
1030	Cable shoe	1	1

**Cable entry 1.5 mm<sup>2</sup>**

Pos.	Description/Kit No	95065457
1003	Cable guide	1
1004	cable seal, large	1
1005	Thrust washer	1
1006	cable seal, small	1
1007	O-ring	39.45 x 1.78
1008	Cylinder head screw	2
1009	Cable relief	1
1025	O-ring	113.97 x 2.62
1026	Cable joint	10
1030	Cable shoe	1
-	Shrink tube for connections	10

**Gasket kit**

Pos.	Description/Kit No	95065483
1004	cable seal large	1
1006	cable seal small	1
1007	O-ring	39.45 x 1.78
1022	O-ring	158.42 x 2.62
1025	O-ring	113.97 x 2.62
1037	O-ring	56.82 x 2.62
1048	Mechanical shaft seal, rotor	1
	Mechanical shaft seal, stator	1
1050	Shim washer	1
1051	Circlip	1
1073	O-ring	215.57 x 2.62
1157	Gasket NBR	70 96 x 75 x 2

**Gear housing**

**Note:** Gear housing kit part are pre-assembled.

Pos.	Description/Kit No	95038481
1088	Gear housing	1
1089	Circlip	1
1090	Slotted nut;	1
1092	Tapered roller bearing 30209	1
1093	Gear shaft	1
1094	Tapered roller bearing 32209	1
1101	Drain plug with magnet	1
1102	Plug	2
1105	Parallel key	1
1119	PTFE tape	3

**Propeller**

Pos.	Description	50/60 Hz	SFG.07-22.230	SFG.25-40.230
		60 Hz US	SFG.10-30.91	SFG.34-55.91
		Kit No	2 blades	3 blades
		95039734	95039735	
1104	Lip seal	2	2	
1105	Parallel key	1	1	
1106	Slotted nut	2	2	
1109	Hub cover	1	1	
1110	Washer	1	1	
1111	Screw	1	1	
1112	Hub (2 blades)	1	-	
	Hub (3 blades)	-	1	
1115	Hexagon head screw	4	6	
1157	Gasket	1	1	
1159	Washer	8	12	
1160	Nut	4	6	
1161	Hexagon head screw	2	3	
1162	Propeller blade type Ø2300	2	3	

**Radial seal**

Pos.	Description/Kit No	95039131
1073	O-ring	215.57 x 2.62
1104	Lip seal	2
	O-ring	94.92 x 2.62
1108	O-ring	184.0 x 3.0
	O-ring	225.0 x 3.0
1110	Washer	1
1157	Gasket NBR	70 96 x 75 x 2

**Shaft seal**

Pos.	Description/Kit No	95065470
1098	Mechanical shaft seal, rotor	1
	Mechanical shaft seal, stator	1

**Water-in-oil sensor**

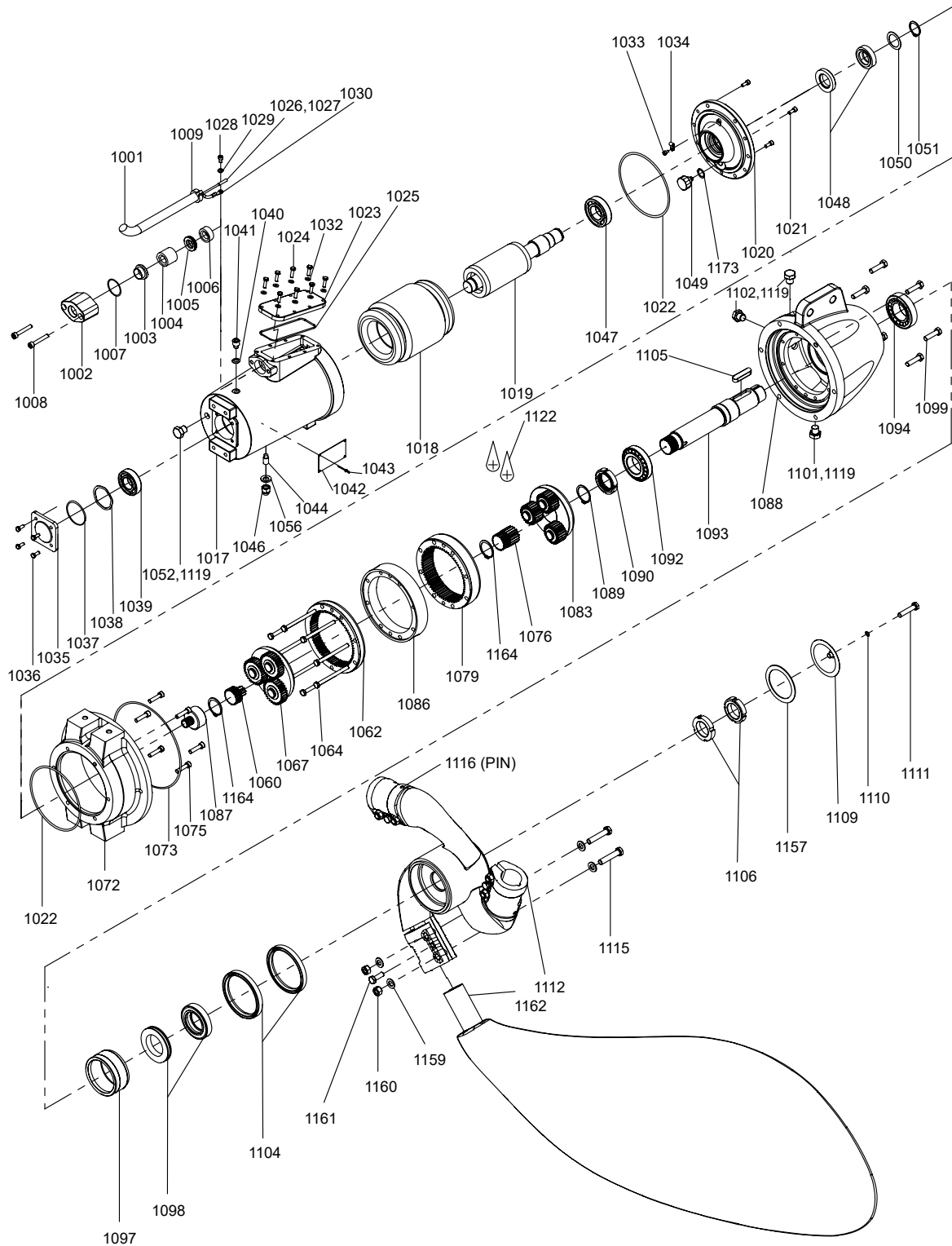
Pos.	Description/Kit No	95038409
1049	Water-in-oil sensor	1
1173	Seal washer	1

**Wear ring**

Pos.	Description/Kit No		95037375
1073	O-ring	215.57 x 2.62	1
1097	Wear ring ceramic		1
1104	Lip seal		2
	O-ring	94.92 x 2.62	1
1108	O-ring	184.0 x 3.0	1
	O-ring	225.0 x 3.0	1
1110	Washer		1
1157	Gasket NBR	70 96 x 75 x 2	1



SFG.xx.230 (50/60 Hz) and SFG.xx.91 (60 Hz North America)



TM062485

**Gear**

50 Hz	60 Hz SI	60 Hz US	STEP 1			STEP 2				
			i = 5.600	i = 6.750	i = 8.667	i = 3.875	i = 4.286	i = 4.833	i = 5.600	i = 6.750
SFG.07.230				<a href="#">95039710</a>				<a href="#">95038585</a>		
	SFG.07.230	SFG.10.91		<a href="#">95039710</a>						<a href="#">95038749</a>
SFG.10.230					<a href="#">95038581</a>	<a href="#">95039712</a>				

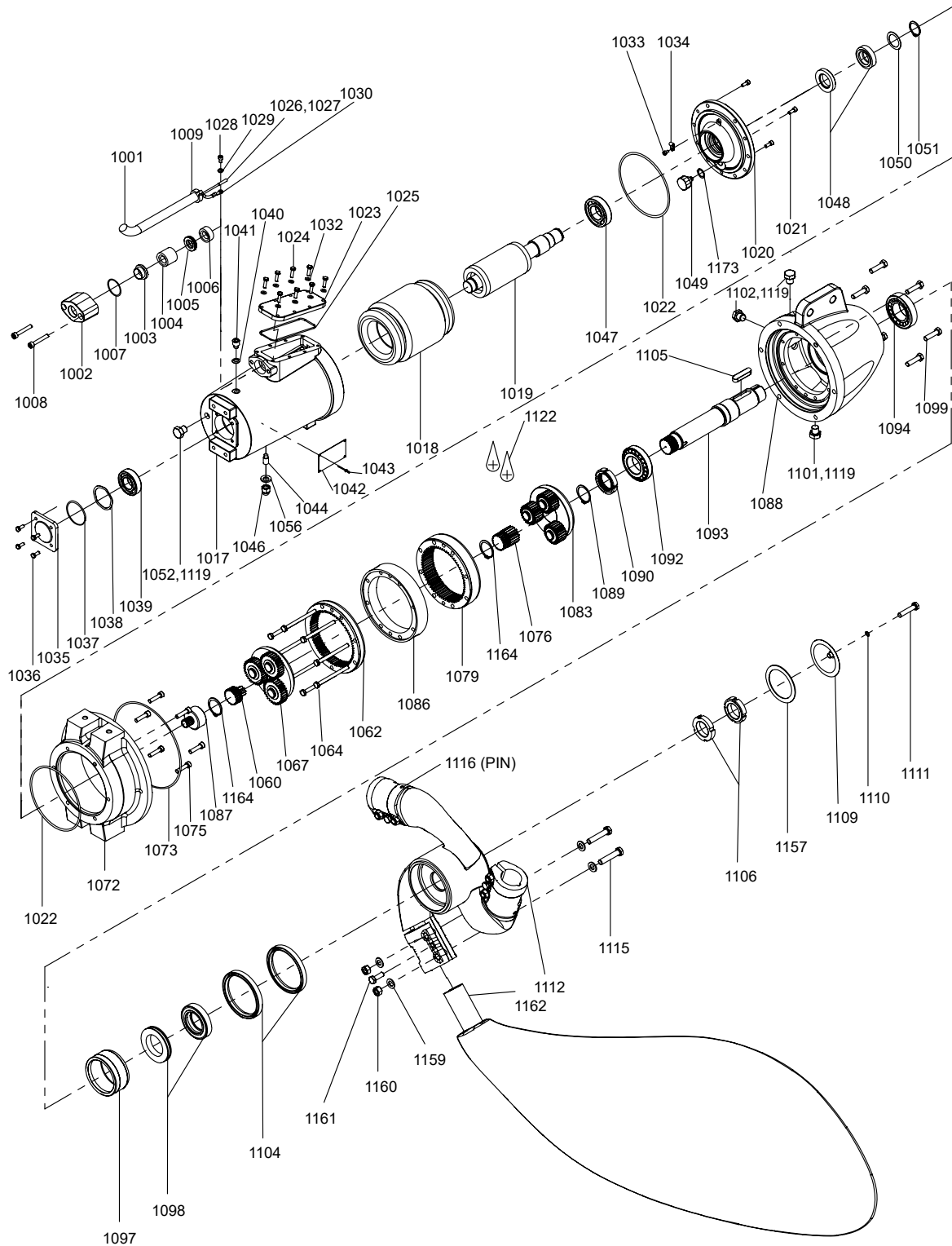
50 Hz	60 Hz SI	60 Hz US	STEP 1					STEP 2		
			i = 5.600	i = 6.750	i = 8.667	i = 3.875	i = 4.286	i = 4.833	i = 5.600	i = 6.750
	SFG.09.230	SFG.12.91			95038581			95038584		
SFG.12.230			95039711						95038585	
	SFG.12.230	SFG.16.91		95039710					95038585	
SFG.15.230				95039710			95038583			
	SFG.16.230	SFG.22.91			95038581	95039712				
SFG.17.230					95038581			95038584		
	SFG.19.230	SFG.26.91			95038581				95038585	
SFG.22.230				95039710					95038585	
	SFG.22.230	SFG.30.91		95039710						95038749
SFG.26.230					95038581		95038583			
	SFG.25.230	SFG.34.91		95039710						95038749
SFG.33.230					95038581	95039712				
	SFG.32.230	SFG.43.91			95038581			95038584		
SFG.36.230				95039710				95038584		
	SFG.38/40.230	SFG.55.91		95039710					95038585	

Pos.	Description/Kit No	95039711	95039710	95038581	95038582	95038583	95038584	95038585	95038749
1060	Sun wheel	1	1	1	-	-	-	-	-
1062	Ring gear	1	1	1	-	-	-	-	-
1067	Planet gear complete	1	1	1	-	-	-	-	-
1076	Sun wheel	-	-	-	1	1	1	1	1
1079	Ring gear	-	-	-	1	1	1	1	1
1083	Planet carrier	-	-	-	1	1	1	1	1
1087	Gear coupling	1	1	1	-	-	-	-	-
1164	Circlip	1	1	1	1	1	1	1	1

**Motor****Note:** Motor kit parts are pre-assembled.

Pos.	Description	50/60 Hz	SFG.07-16.230	SFG.17-40.230
		60 Hz US	SFG.10-22.91	SFG.23-55.91
		Kit No	95039700	95039701
1002	Cable flange		1	1
1007	O-ring		1	1
1008	Screw		2	2
1017	Motor housing		1	1
1018	Stator wound 6-pole 1.8 kW (2.4 hp)		1	-
	Stator wound 4-pole 3.6 kW (4.8 hp)		-	1
1019	Rotor with shaft 4-pole 1.8 kW (2.4 hp)		1	-
	Rotor with shaft 6-pole 3.6 kW (4.8 hp)		-	1
1020	Motor flange		1	1
1021	Screw		3	3
1022	O-ring		2	2
1023	Terminal box cover		1	1
1024	Screw		8	8
1025	O-ring		1	1
1028	Screw		1	1
1029	Lock washer		1	1
1033	Screw		1	1
1034	Cable clamp		1	1
1035	Bearing cover		1	1
1036	Screw		4	4
1037	O-ring		1	1
1038	Compensation disc		1	1
1039	Ball bearing 6206		1	1
1040	U-washer		1	1
1041	Screw		1	1
1044	Set screw		1	1
1046	Nut		1	1
1047	Ball bearing 6207		1	1
1048	Mechanical shaft seal, rotor		1	1
	Mechanical shaft seal, stator		1	1
1049	Water-in-oil sensor		1	1
1050	Shim		1	1
1051	Circlip		1	1
1052	Plug		1	1
1056	Seal washer		1	1
1173	Seal washer		1	1

SFG.xx.230 (50/60 Hz) and SFG.xx.91 (60 Hz North America)



TM062485

**SFG.xx.260 (50/60 Hz) and SFG.xx.102 (60 Hz North America)****Bearing, motor**

Pos.	Description/Kit No	96645955
1038	Compensation disc	1
1039	Ball bearing 6208 2RS1/C3	1
1047	Ball bearing 6010 2RS1/C3	1

**Bearing, gearbox**

Pos.	Description/Kit No	95065475
1090	Slotted nut	1
1091	Lock washer	1
1092	Tapered roller bearing 30212	1
1094	Tapered roller bearing 33212	1

**Cable (11G2.5)**

Pos.	Description/Kit No	95038486	95038487
1001	Cable	10 m / 32 ft	15 m / 49 ft
1026	Cable joint	6	6
1027	Cable joint	4	4
1030	Cable shoe	1	1

**Cable entry, 2.5 mm<sup>2</sup>**

Pos.	Description/Kit No	95065465	
1003	Cable guide	1	
1004	cable seal, large	1	
1005	Thrust washer	1	
1006	cable seal, small	1	
1007	O-ring	54.0 x 3.0	1
1008	Cylinder head screw	2	
1009	Cable relief	1	
1025	O-ring	139.29 x 3.53	1
1026	Cable joint	10	
1030	Cable shoe	7	
-	Shrink tube for connections	10	

**Gasket kit**

Pos.	Description/Kit No	95035812	
1004	cable seal, large	1	
1006	cable seal, small	1	
1007	O-ring	54.0 x 3.0	1
1022	O-ring	215.57 x 2.62	2
1025	O-ring	139.29 x 3.53	1
1037	O-ring	75.87 x 2.62	1
1048	Mechanical shaft seal, rotor	1	
	Mechanical shaft seal, stator	1	
1050	Shim	1	
1051	Circlip	1	
1073	O-ring	260.0 x 3.5	1
1108	O-ring	94.92 x 2.62	1

**Gear housing**

**Note:** Gear housing kit parts are pre-assembled.

Pos.	Description/Kit No	95038588
1088	Gear housing	1
1090	Slotted nut	1
1091	Lock washer	1
1092	Tapered roller bearing 30212	1
1093	Gear shaft	1
1094	Tapered roller bearing 33212	1
1095	Intermediate ring	1
1101	Drain plug with magnet	1
1102	Plug	2
1119	PTFE tape	3

**Propeller**

Pos.	Description	50/60 Hz	SFG.22-48.260	SFG.50-80.260
		60 Hz US	SFG.30-60.102	SFG.67-110.102
		Kit No	2 blades	3 blades
			95039736	95039737
1104	Lip seal	2	2	
1106	Slotted nut	2	2	
1108	Gasket NBR	1	1	
1109	Hub cover	1	1	
1110	Washer	1	1	
1111	Screw	1	1	
1112	Hub (2 blades)	1	-	
	Hub (3 blades)	-	1	
1113	Screw	2	3	
1114	Washer	2	3	
1131	Parallel key	2	3	
1132	Blinds	2	3	
1162	Propeller blade type Ø2600	2	3	

**Radial seal**

Pos.	Description/Kit No	95039132	
1073	O-ring	253.59 x 3.53	1
1104	Lip seal		2
	O-ring	120.2 x 3.53	1
1108	O-ring	225.0 x 3.0	1
	O-ring	94.92 x 2.62	1
1110	Washer		1

**Shaft seal**

Pos.	Description/Kit No	95065478
1095	Intermediate ring	1
1098	Mechanical shaft seal, rotor	1
	Mechanical shaft seal, stator	1

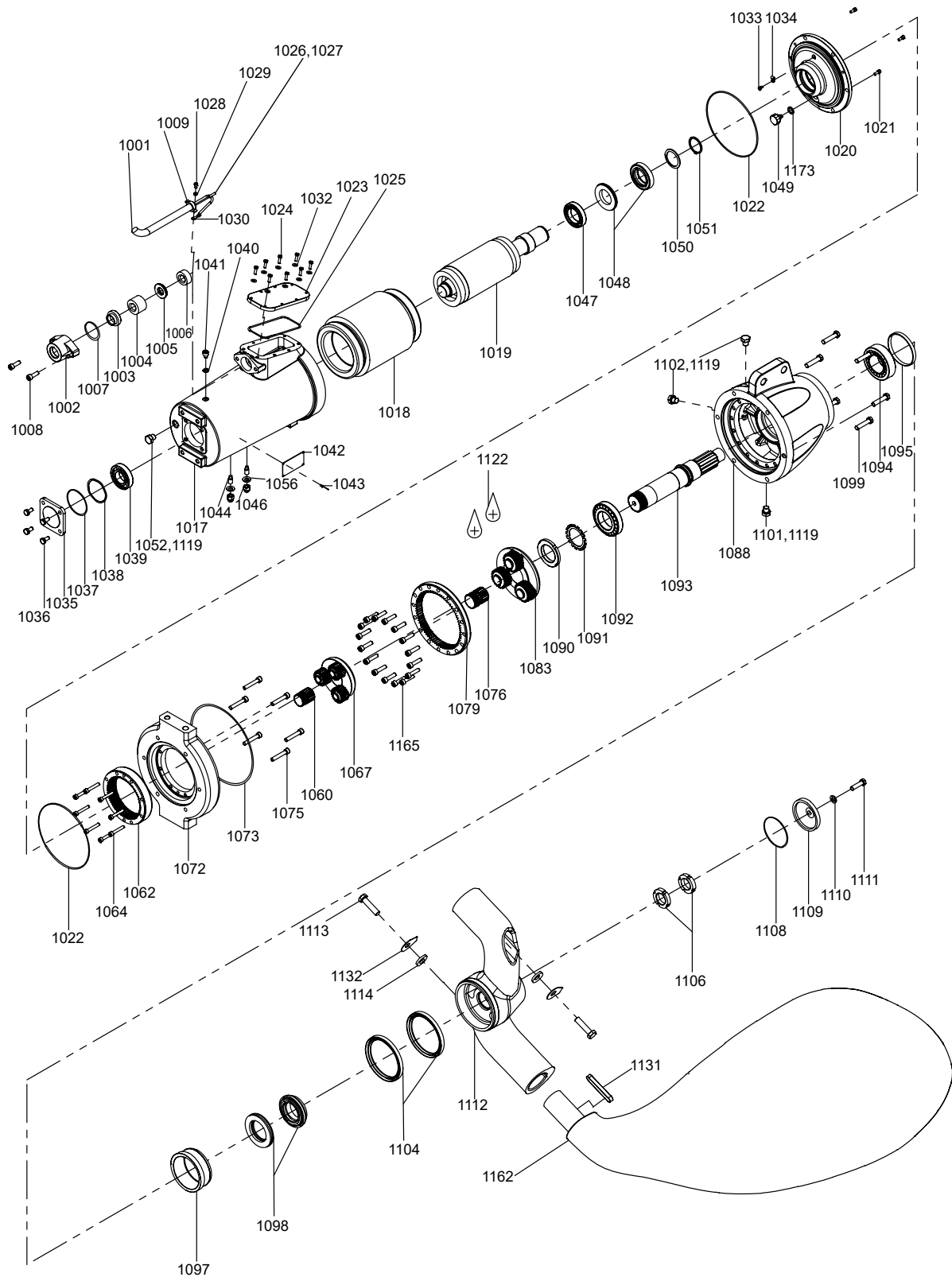
**Water-in-oil sensor**

Pos.	Description/Kit No	95038409
1049	Water-in-oil sensor	1
1173	Seal washer	1

**Wear ring**

Pos.	Description/Kit No		95037376
1073	O-ring	253.59 x 3.53	1
1097	Wear ring ceramic		1
1104	Lip seal		2
	O-ring	120.2 x 3.53	1
1108	O-ring	225.0 x 3.0	1
	O-ring	94.92 x 2.62	1
1110	Washer		1

SFG.xx.260 (50/60 Hz) and SFG.xx.102 (60 Hz North America)



TM063062

## Gear

50 Hz	60 Hz SI	60 Hz US	STEP 1				STEP 2				
			i = 4.286	i = 4.833	i = 5.600	i = 6.750	i = 3.500	i = 4.125	i = 4.571	i = 5.167	i = 6.000
SFG.22.260					95065517						95038769
	SFG.22.260	SFG.30.102				95065524					95038769
SFG.27.260						95065524			95038611		
SFG.32.260					95065518						95038769
	SFG.32.260	SFG.43.102				95065524				95065525	
SFG.36.260						95065524		95065496			
	SFG.36.260	SFG.48.102				95065517					95038769
SFG.44.260	-	-	95065495								95038769
	SFG.44.260	SFG.60.102				95065524			95038611		
SFG.48.260					95065518					95065525	
SFG.50.260						95065524		95065496			
	SFG.50.260	SFG.67.102				95065517					95038769
SFG.60.260			95065495								95038769
	SFG.60.260	SFG.82.102				95065524			95038611		
SFG.66.260					95065518					95065525	
	SFG.72.260	SFG.98.102				95065517				95065525	
SFG.74.260						95065524	95065522				
SFG.80.260						95065517		95065496			
	SFG.80.260	SFG.110.102				95065524		95065496			

Pos.	Description/Kit No	95065495	95065518	95065517	95065524	95065522	95065496	95038611	95065525	95038769
1060	Sun wheel	1	1	1	1	-	-	-	-	-
1062	Ring gear	1	1	1	1	-	-	-	-	-
1067	Planet gear complete	1	1	1	1	-	-	-	-	-
1076	Sun wheel	-	-	-	-	1	1	1	1	1
1079	Ring gear	-	-	-	-	1	1	1	1	1
1083	Planet carrier	-	-	-	-	1	1	1	1	1



**Motor****Note:** Motor kit parts are pre-assembled.

Pos.	Description	50/60 Hz	SFG.22-48.260	SFG.50-80.260
		60 Hz US	SFG.30-60.102	SFG.67-110.102
		Kit No	95039707	95039708
1002	Cable flange		1	1
1007	O-ring		1	1
1008	Screw		2	2
1017	Motor housing		1	1
1018	Stator 6-pole 5.0 kW (6.7 hp)		1	-
	Stator 6-pole 8.0 kW (11 hp)		-	1
1019	Rotor with shaft 6-pole 5.0 kW (6.7 hp)		1	-
	Rotor with shaft 6-pole 8.0 kW (11 hp)		-	1
1020	Motor flange		1	1
1021	Screw		3	3
1022	O-ring		2	2
1023	Terminal box cover		1	1
1024	Screw		8	8
1025	O-ring		1	1
1028	Screw		1	1
1029	Lock washer		1	1
1033	Screw		1	1
1034	Cable clamp		1	1
1035	Bearing cover		1	1
1036	Screw		4	4
1037	O-ring		1	1
1038	Compensation disc		1	1
1039	Ball bearing 6208		1	1
1040	U-washer		1	1
1041	Screw		1	1
1044	Set screw		2	2
1046	Nut		2	2
1047	Ball bearing 6010		1	1
1048	Mechanical shaft seal, rotor		1	1
	Mechanical shaft seal, stator		1	1
1049	Water-in-oil sensor		1	1
1050	Shim		1	1
1051	Circlip		1	1
1052	Plug		1	1
1056	Seal washer		2	2
1173	Seal washer		1	1



**SFG.H (heady-duty)****Cable**

Pos.	Description/Kit No	SFG.H.110.150	SFG.H.70.260 SFG.H.110.260
		95036338	95036314
1002	Cable, complete	1	1
1007	O-ring 54.0 x 3.0	1	1
1025	O-ring 139.29 x 3.53	1	1
1026	Cable press connector	4	4
1030	Cable end connector	6	6
-	Shrink tube (D6.4-3.2)	-	-
-	Shrink tube (D12.7-6.4)	-	-
-	Shrink tube (D25.4-12.7)	-	-
-	Paint, modified epoxy, base (part A)	-	-
-	Paint, modified epoxy, curing agent (part B)	-	-

**Gear**

## First planetary gear stage

Pos.	Description/Kit No	SFG.H.110.150.91	SFG.H.110.150.83	SFG.H.70.260.44	SFG.H.110.260.51
		i = 4.286	i = 4.286	i = 5.600	i = 5.600
		95065492	95065495	95065517	95065517
1060	Sun wheel	1	1	1	1
1062	Ring gear	1	1	1	1
1067	Planet carrier	1	1	1	1

## Second planetary gear stage

Pos.	Description/Kit No	SFG.H.110.150.91	SFG.H.110.150.83	SFG.H.70.260.44	SFG.H.110.260.51
		i = 3.778	i = 4.125	i = 6.000	i = 5.167
		95065521	95065496	95038769	95065525
1060	Sun wheel	1	1	1	1
1062	Ring gear	1	1	1	1
1067	Planet carrier	1	1	1	1

**Gear housing**

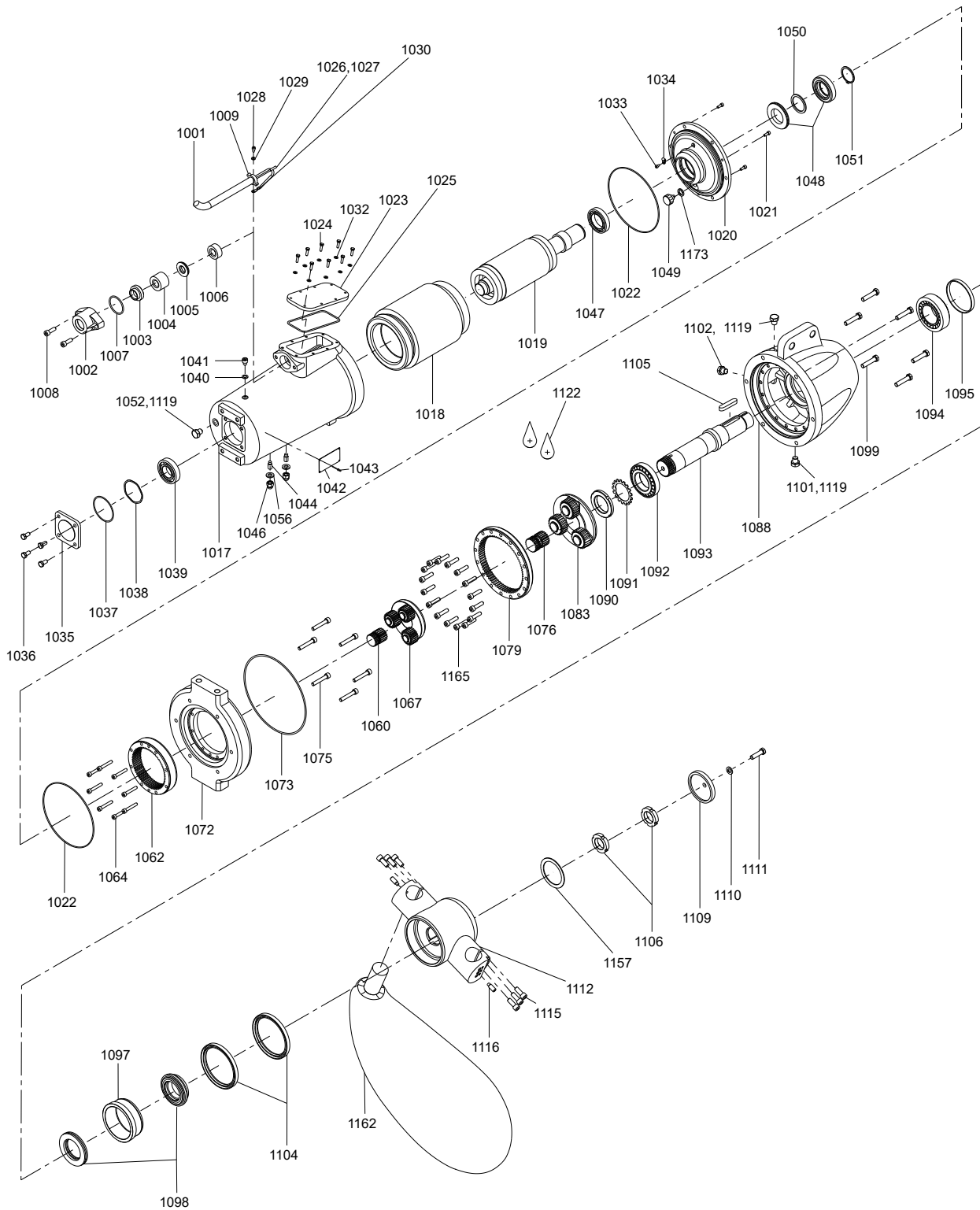
Pos.	Description/Kit No	SFG.H.110.150	SFG.H.70.260 SFG.H.110.260
		95038516	95038588
1088	Gear housing	1	1
1090	Slotted nut	1	1
1091	Washer	1	1
1092	Ball bearing 30212	1	1
1093	Shaft drive	1	1
1094	Ball bearing 33212	1	1
1095	Distance ring	1	1
1101	Plug	1	1
1102	Plug	2	2
1105	Key	1	1
-	Strip teflon	3	3

**Propeller**

For 2-blade versions only.

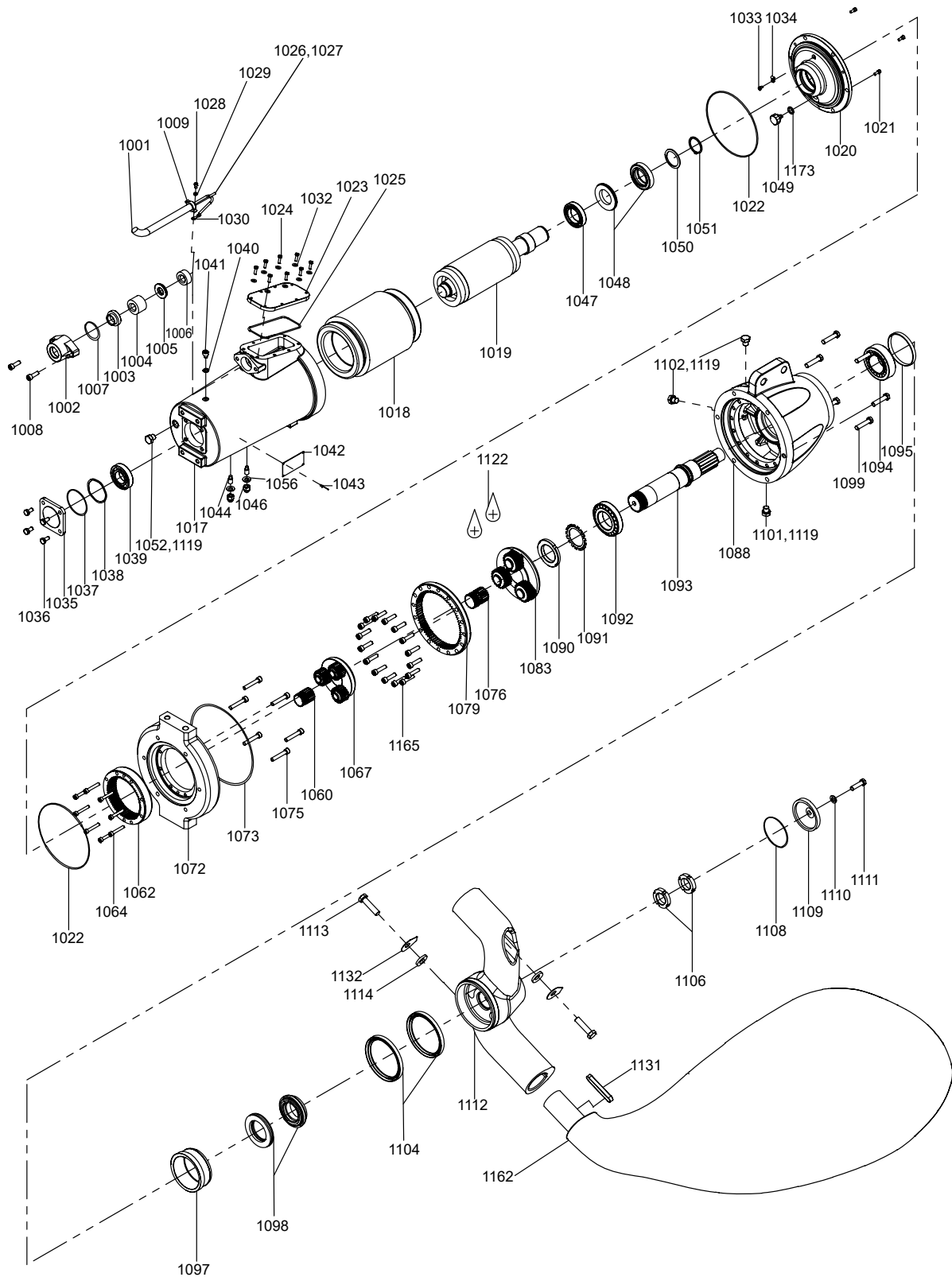
Pos.	Description/Kit No	SFG.H.70	SFG.H.
		95039736	95038509
1104	Lip seal	2	2
1106	Slotted nut	2	2
1108	Gasket NBR 65 D106/90 x 10	1	1
1109	Hub cover	1	1
1110	Washer	1	1
1111	Screw	1	1
1112	Hub	1	1
1113	Screw	2	2
1114	Washer	2	2
1131	Fit-in key	2	2
1132	Cover	2	2
1162	Propeller blade	2	2

SFG.H.xx.150



TM070002

SFG.H.xx.260



TM063062

**Bearing, motor**

Pos.	Description/Kit No	96645955
1038	Compensation disc	1
1039	Ball bearing 6208 2RS	1
1047	Ball bearing 6010 2RS	1

**Bearing, gearbox**

Pos.	Description/Kit No	95065475
1090	Slotted nut	1
1091	Washer	1
1092	Tapered roller bearing 30212	1
1094	Tapered roller bearing 33212	1

**Gasket**

Pos.	Description/Kit No	95035812	
1004	cable seal, large	1	
1006	cable seal, small	1	
1007	O-ring	54.0 x 3.0	1
1008	O-ring	97.92 x 2.62	1
1022	O-ring	215.57 x 2.62	1
1025	O-ring	139.29 x 3.53	1
1037	O-ring	75.87 x 2.62	1
		260.0 x 3.5	1
1048	Shaft seal - rotor	1	
	Shaft seal - stator	1	
1050	Washer	1	
1051	Circlip	1	
1157	Gasket NBR	65 D106/90 x 10	1

**Gear housing and hub cover**

Pos.	Description/Kit No	95039320
1088	Gear housing	1
1109	Hub cover	1

**Radial seal**

Pos.	Description/Kit No	95039132	
1022	O-ring	253.59 x 3.53	1
1104	Lip seal		2
	O-ring	94.92 x 2.62	1
1108	O-ring	120.24 3.53	1
	O-ring	225.0 x 3.0	1
1110	Washer		1
1157	Gasket NBR	65 D106/90 x 10	1
	Gasket NBR	65 D135/133 x 12	1

**Shaft seal**

Pos.	Description/Kit No	95065478
1095	Distance ring	1
1098	Shaft seal - rotor	1
	Shaft seal - stator	1

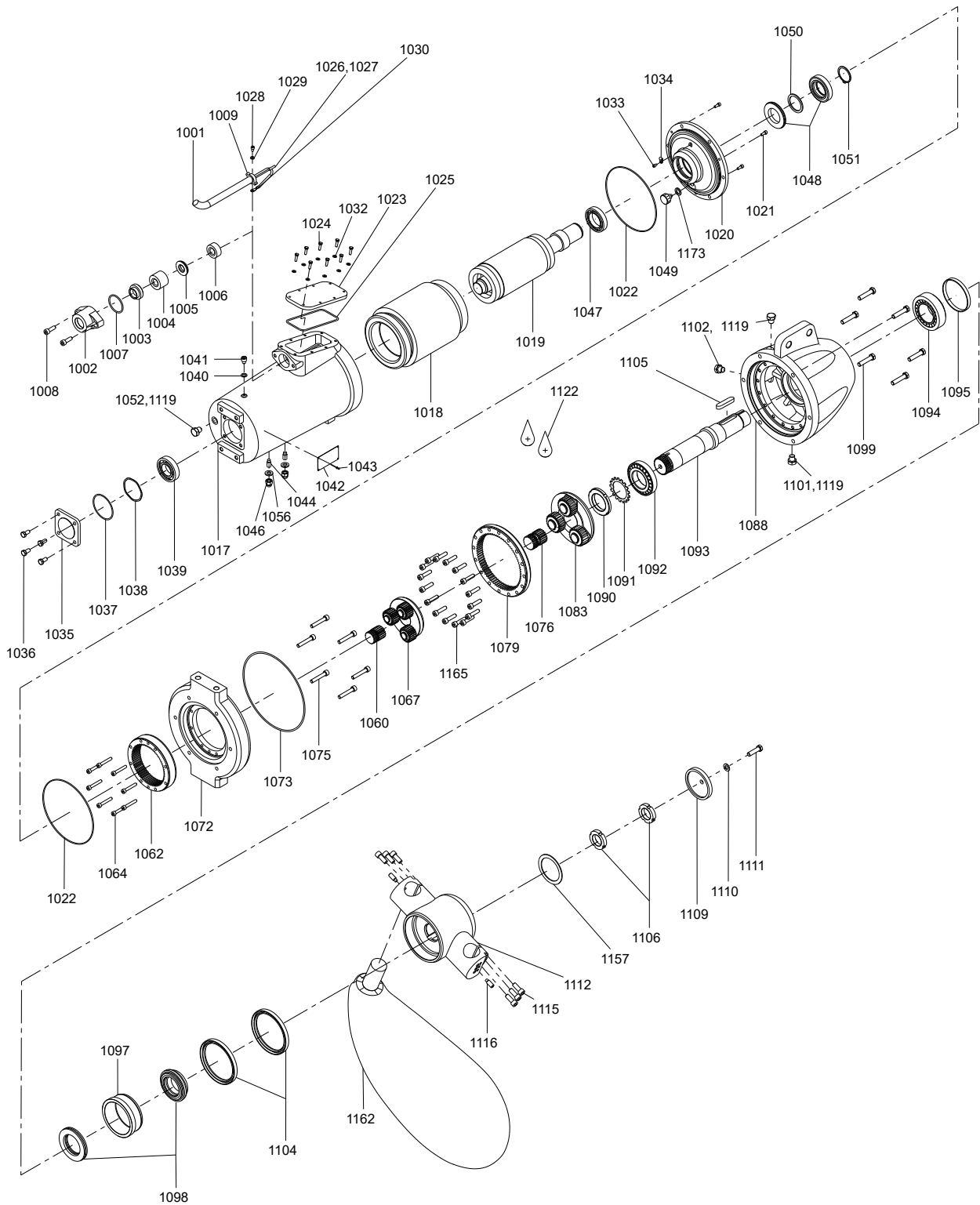
**Wear ring**

Pos.	Description/Kit No	95037376	
1097	Wear ring ceramic	1	
1104	Lip seal	2	
	O-ring	94.92 x 2.62	1
1108	O-ring	120.24 x 3.53	1
	O-ring	225.0 x 3.0	1
1022	O-ring	253.59 x 3.53	1
1110	Washer		1
1157	Gasket NBR	65 D106/90 x 10	1
	Gasket NBR	65 D135/113 x 12	1

**WIO sensor**

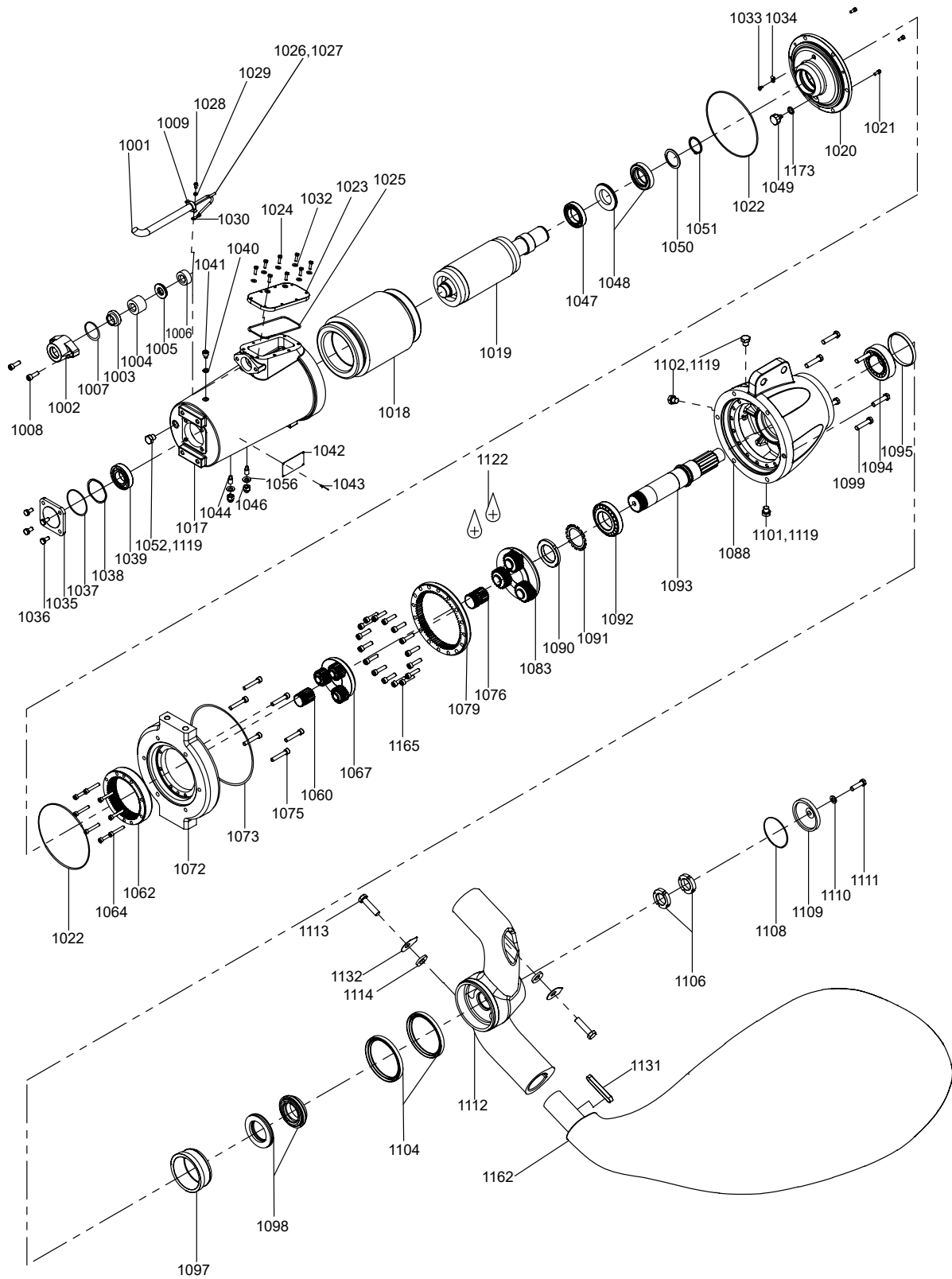
Pos.	Description/Kit No	95038409
1049	WIO sensor	1
1173	Seal washer	1
-	Contactora	2

SFG.H.xx.150



TM070002

SFG.H.xx.260



TM063062