

## 87. SQFlex

### SQF 3A (N), 16 SQF

#### Bearing top

Pos.	Description	80099
6	Bearing, top	8

#### Cable guard

Pos.	Description	SQF 3A	SQF 3A N
		95048640	95048641
18	Cable guard	1	1
18b	Screw	2	-
18c	Cable guard, lower	1	1

#### Connecting piece

Pos.	Description	96773221
14a	Connecting piece	1

#### Sand slinger

Pos.	Description	96773222
159c	Sand slinger	1

#### Screw

Pos.	Kit No	96037388
	Description	
18a	Screw K35 x 10 mm	2
18b	Screw M3 x 6 mm	2
250	Nut M4	4
250	Screw M4 x 8	4

#### Shaft end

Pos.	Description	96477039
24	Shaft with coupling	1
24a	Supporting ring	1
27	Spline protector	1
	Setting tool	1

#### Valve casing

Pos.	Description	96550774
2	Valve cup	1
3	Valve seat	1
6	Bearing, top	1
70	Valve guide	1
	Valve casing	1

#### Valve cup

Pos.	Description	96550791
2	Valve cup	1

#### Valve seat

Pos.	Description	96550772
3	Valve seat	1

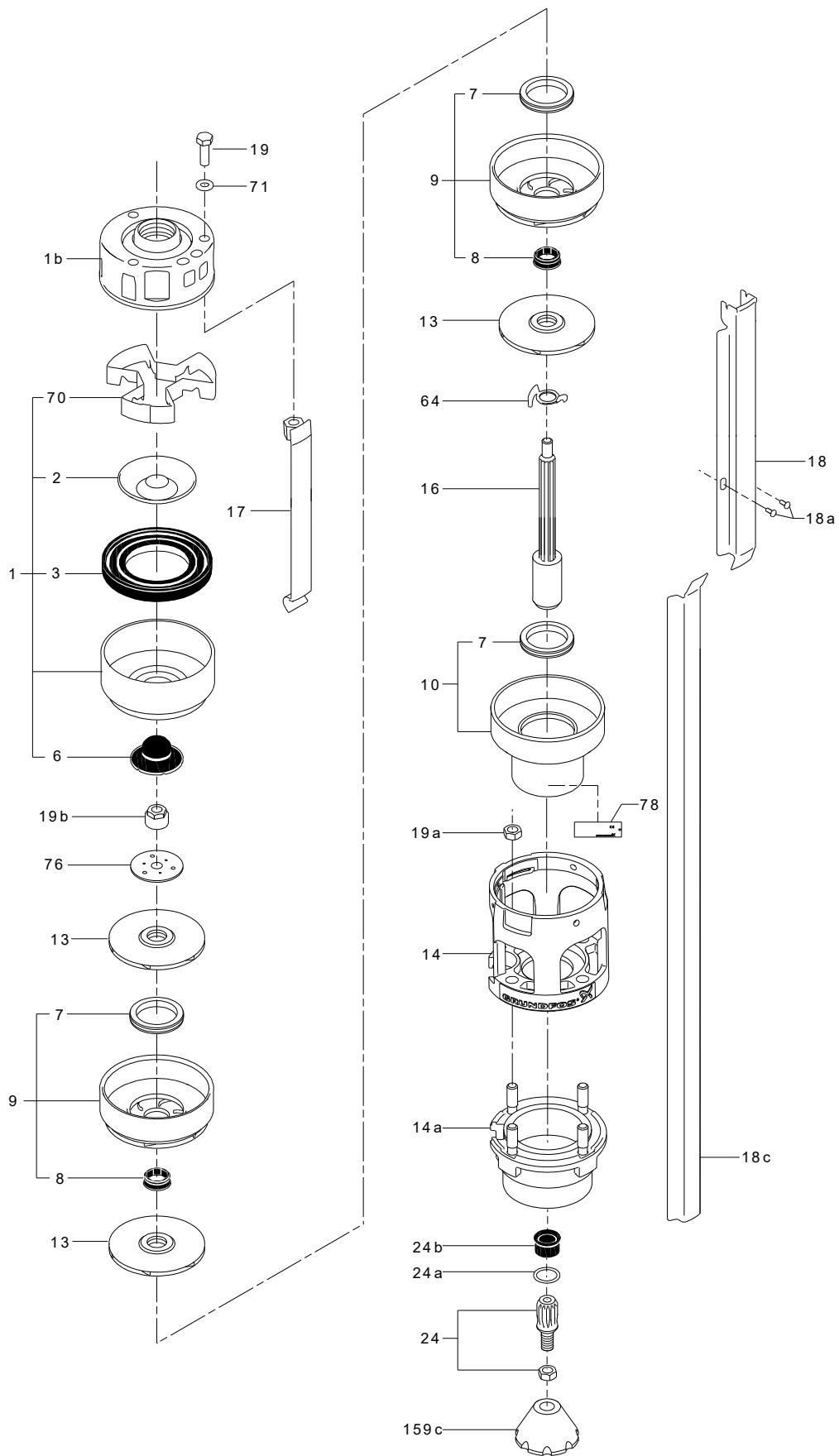
#### Valve guide

Pos.	Description	80045
70	Valve guide	1

#### Wear parts

Pos.	Description	SQF 3A	SQF 3A N
		95048662	95048663
7	Neck ring	10	10
8	Bearing	9	-
13	Impeller	10	-
13	Impeller with split cone nut	-	3
19b	Nut	1	-
76	Washer	1	-
85	Stop ring	-	1

SQFlex 3A and SQFlex 3A N



TM034138

**SQF 5A, 8A (N), 25, 40 SQF****Cable**

Pos.	Description	95027471
220	Cable complete	1
250	Screw	4

**Cable guard**

Pos.	Description	25 SQF-3		25 SQF-6		25 SQF-7	
		SQF 5A-3	SQF 5A-3 N	SQF 5A-6	SQF 5A-6 N	SQF5A-7	SQF5A-7 N
		95048642	95048643	95048644	95048645	95048647	95048649
18	Cable guard	1	1	1	1	1	1
18b	Screw	2	-	2	-	2	-
18c	Cable guard	1	1	1	1	1	1

Pos.	Description	40 SQF-3		40 SQF-5	
		SQF 8A-3	SQF 8A-3 N	SQF 8A-5	SQF 8A-5 N
		95048646	95048645	95048648	95048641
18	Cable guard	1	1	1	1
18c	Cable guard	1	1	1	1

**Connecting piece**

Pos.	Description	96773221
14a	Connecting piece	1

**Sand slinger**

Pos.	Description	96773222
159c	Sand slinger	1

**Shaft end**

Pos.	Description	96477039
24	Shaft end complete	1
24a	Supporting ring	1
24b	Spline protector	1
-	Setting tool	1

**Valve**

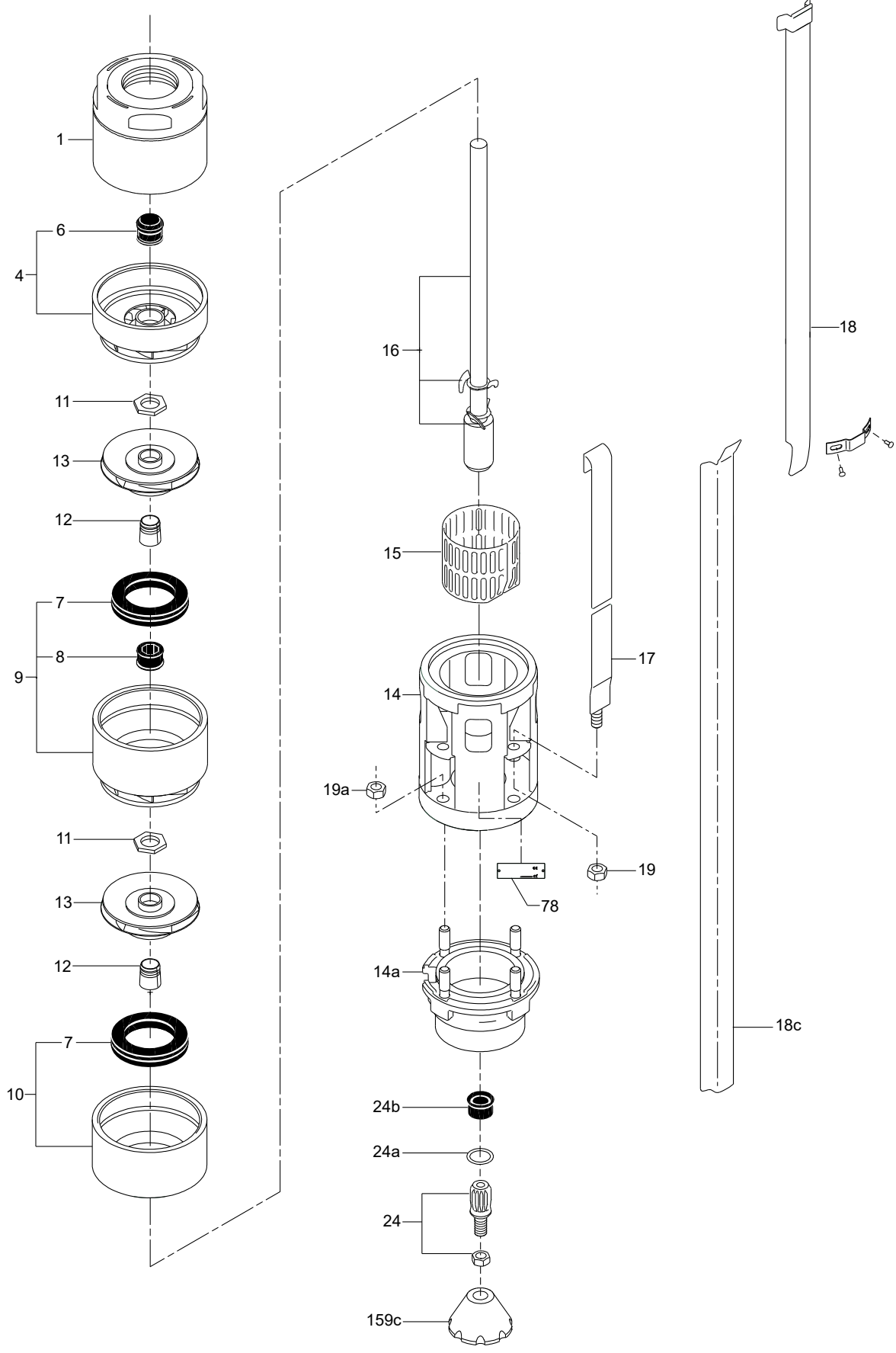
Pos.	Description	SQF 5A	SQF 5A N	SQF 8A	SQF 8A N	25 SQF	40 SQF
		96550774	085513	96550793	96550795	96550774	115110
1	Valve casing complete	1	1	1	1	1	1

## Wear parts

Pos.	Description	25 SQF-3		25 SQF-6		25 SQF-7	
		SQF 5A-3	SQF 5A-3 N	SQF 5A-6	SQF 5A-6 N	SQF 5A-7	SQF 5A-7 N
		96477032	96477034	96477035	96477036	96867986	96867987
7	Neck ring	3	3	6	6	7	7
8	Bearing	2	-	5	-	6	-
13	Impeller	3	3	6	6	7	7
19b	Nut	1	-	1	-	1	-
76	Washer	1	-	1	-	1	-
85	Stop ring	-	1	-	1	-	1

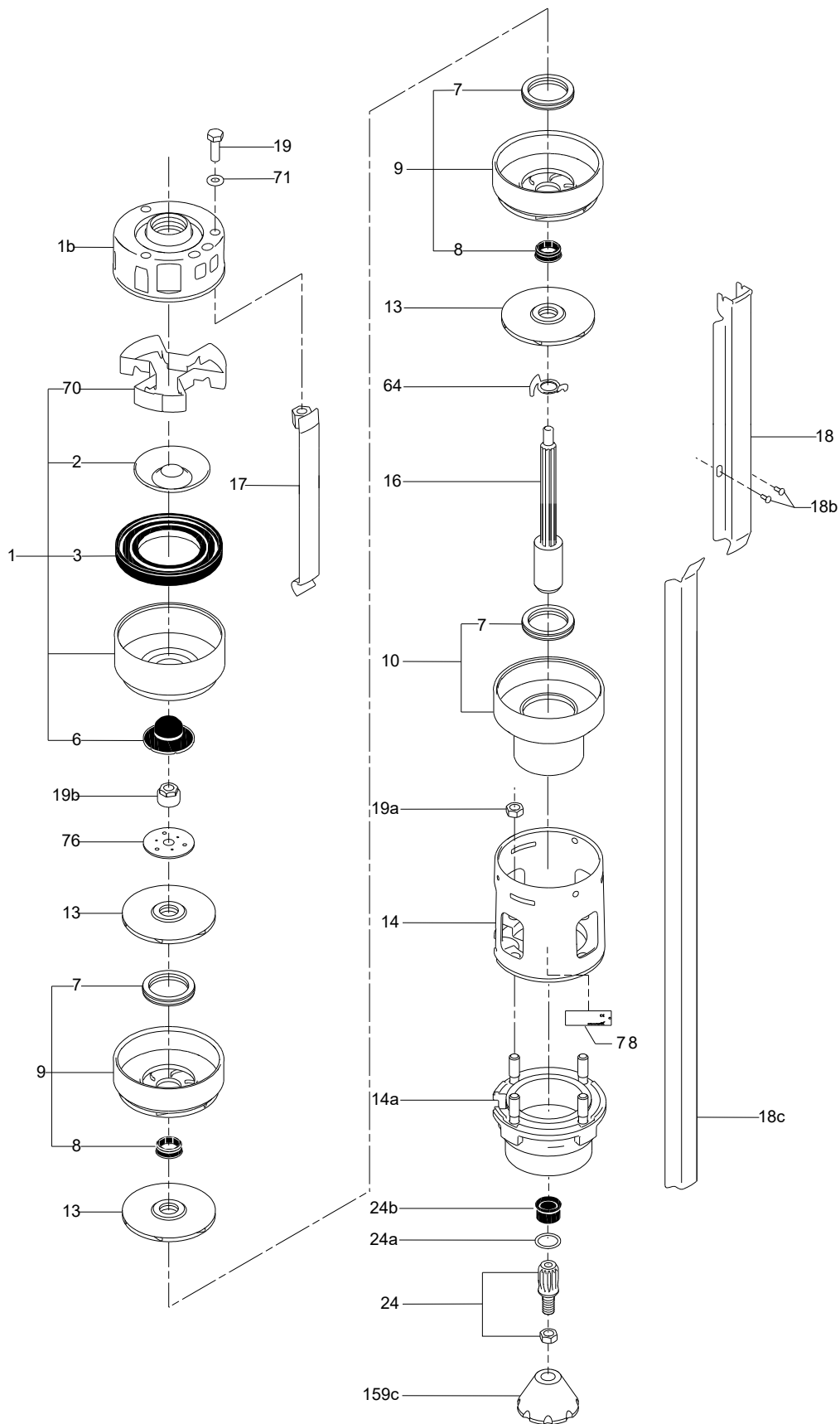
Pos.	Description	40 SQF-3		40 SQF-5	
		SQF 8A-3	SQF 8A-3 N	SQF 8A-5	SQF 8A-5 N
		96477037		95048664	
7	Neck ring	3	3	5	5
8	Bearing	2	2	4	4
13	Impeller	-	-	-	-
13a	Impeller complete	3	3	5	5

SQFlex 5A N and SQFlex 8A-3



TM024056

SQFlex 5A-3



TM022247

**SQF 14A (N), 75 SQF****Cable**

Pos.	Description	95027471
220	Cable complete	1
250	Screw	4

**Cable guard**

Pos.	Description	60 SQF-3	
		SQF 11A-3	SQF 11A-3 N
		95048650	95048651
18	Cable guard	1	1
18a	Screw	2	2
18c	Cable guard	1	1

**Chamber**

Pos.	Description	SQF 11A
		96477045
4	Chamber, top	1
9	Chamber with neck ring and bearing	2

**Connecting piece**

Pos.	Description	96773221
14a	Connecting piece	1

**Sand slinger**

Pos.	Description	96773222
159c	Sand slinger	1

**Shaft end**

Pos.	Description	SQF 11A
		96477039
24	Shaft with coupling	1
24a	Supporting ring	1
24b	Spline protector	1
	Setting tool	1

**Valve casing**

Pos.	Description	SQF 11A	SQF 11A N
		75013	75506
1	Valve casing complete	1	

**Wear parts**

Pos.	Description	SQF 11A	SQF 11A N
		95048665	
7	Neck ring	3	
8	Bearing ring	3	
13	Impeller	3	
85	Stop ring	1	





**Cable**

Pos.	Description	95027471
220	Cable complete	1
250	Screw	4

**Cable guard**

Pos.	Description	75 SQF-3	
		SQF 14A-3	SQF 14A-3 N
		95048650	95048651
18	Cable guard	1	1
18a	Screw	2	2
18c	Cable guard	1	1

**Connecting piece**

Pos.	Description	96773221
14a	Connecting piece	1

**Sand slinger**

Pos.	Description	96773222
159c	Sand slinger	1

**Shaft end**

Pos.	Description	96477039
24	Shaft end complete	1
24a	Supporting ring	1
24b	Spline protector	1
-	Setting tool	1

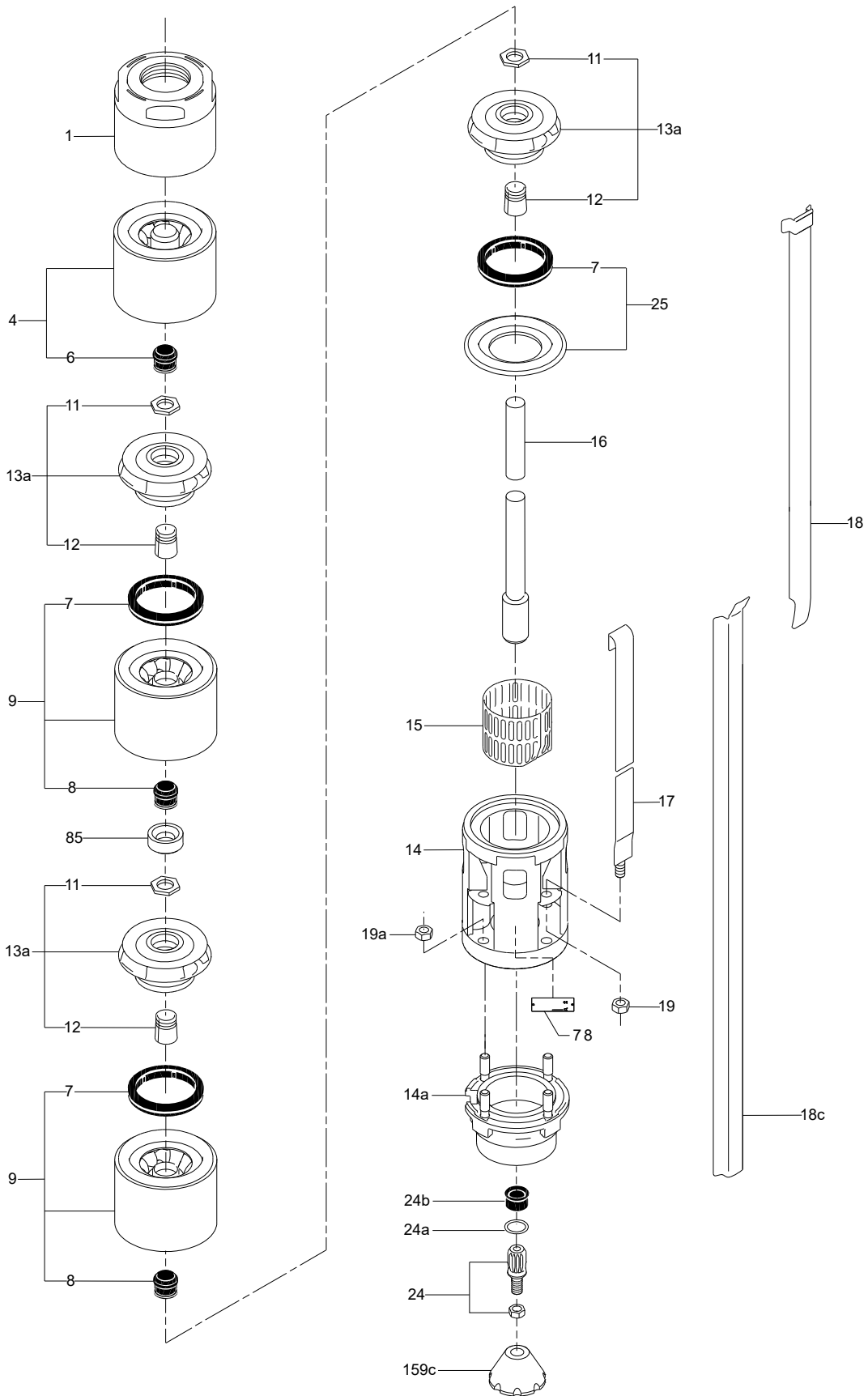
**Valve**

Pos.	Description	SQF	SQF	75
		14A	14A-3 N	SQF
		96550708	075506	075012
1	Valve casing complete	1	1	1

**Wear parts**

Pos.	Description	75 SQF-3		
		SQF 14A-3		
		SQF 14A-3 N		
		96477038		
7	Neck ring	3		
8	Bearing	3		
13a	Impeller complete	3		
85	Stop ring	1		

SQF 14A (N), 75 SQF



TM022438

**Helical****Cable**

Pos.	Description	95027471
220	Cable complete	1
250	Screw	4

**Cable guard**

Pos.	Description	3 SQF-2		3 SQF-3		6 SQF-2	
		SQF 0.6-2	SQF 0.6-2 N	SQF 0.6-3	SQF 0.6-3 N	SQF 1.2-2	SQF 1.2-2 N
		95048652	95048653	95048654	95048655	95048656	95048657
18	Cable guard	1	1	1	1	1	1
18b	Screw	2	2	2	2	2	2

Pos.	Description	6 SQF-3		11 SQF-2	
		SQF 1.2-3	SQF 1.2-3 N	SQF 2.5-2	SQF 2.5-2 N
		96834830	96834831	95048658	95048659
18	Cable guard	1	1	1	1
18b	Screw	2	2	2	2

**Discharge chamber**

Pos.	Description	96477052
1	Valve casing complete	1
2	Valve cup ccomplete	1
7a	Retaining ring	1
70	Valve guide	1

**Hydraulic parts**

Pos.	Description	3 SQF-2		6 SQF-2		6 SQF-3	
		SQF 0.6-2	SQF 0.6-2 N	SQF 1.2-2	SQF 1.2-2 N	SQF 1.2-3	SQF 1.2-3 N
		96477054	96477055	96477056	96477057	96959822	96959823
6	Flange	1	1	1	1	1	1
9	Pump stator	1	1	1	1	1	1
13	Pump rotor	1	1	1	1	1	1

Pos.	Description	11 SQF-2		SQF-3	
		SQF 2.5-2	SQF 2.5-2 N	SQF 0.6-3	SQF 0.6-3N
		96477058	96477059	95048660	95048661
6	Flange	1	1	1	1
9	Pump stator	1	1	1	1
13	Pump rotor	1	1	1	1

**Sand slinger**

Pos.	Description	96773222
159c	Sand slinger	1

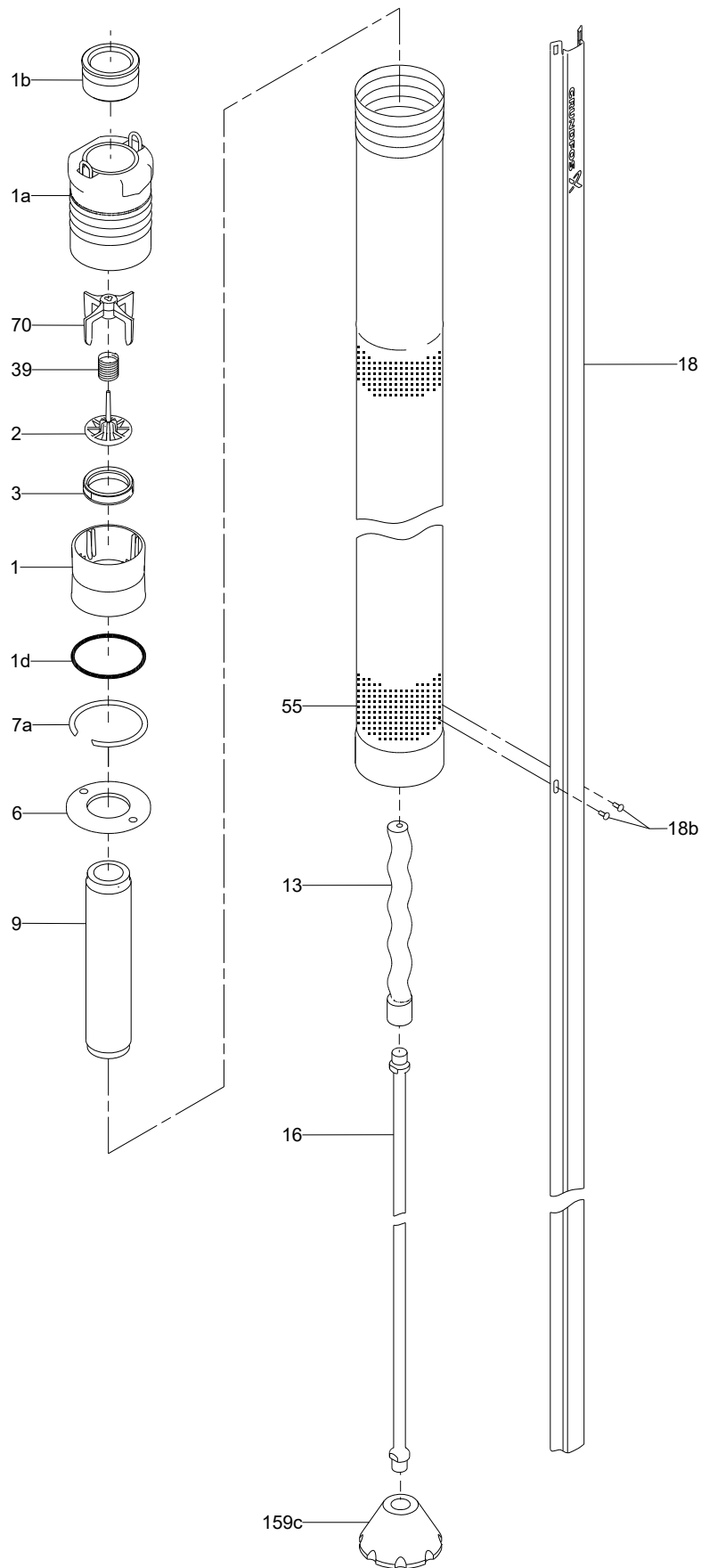
**Torsion shaft**

Pos.	Description	96477060
16	Torsion shaft	1

**Screw**

Pos.	Kit No	96037388
	Description	
18a	Screw K35 x 10 mm	2
18b	Screw M3 x 6 mm	2
250	Nut M4	4
250	Screw M4 x 8	4

Helical



TM022216

**Motor****Bearings**

Pos.	Description	Kit No	96773223
202a	Stop ring		1
202c	Shaft end		1
203	Thrust bearing, stationary		1
205	Bearing plate with radial bearing		1
206	Thrust bearing, rotating		1
222a	Filling plug		1
232	Shaft seal		1

**Rotor**

Pos.	Description	Kit No	96773228
202	Rotor		1

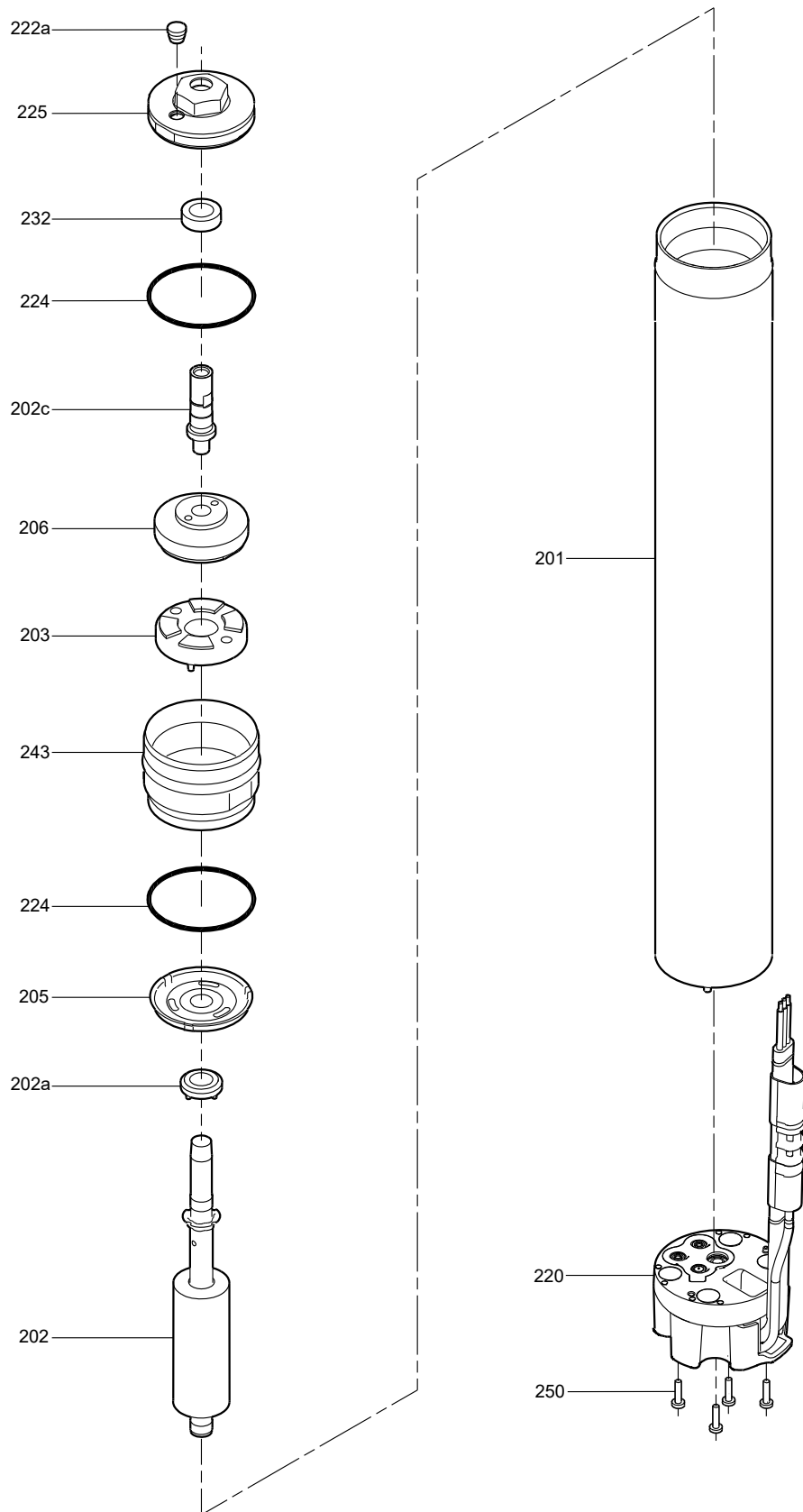
**Thrust-bearing housing**

Pos.	Description	Kit No	96773224
224	O-ring		1
243	Thrust-bearing housing		1

**Top cover**

Pos.	Description	Kit No	96773227
222a	Filling plug		1
224	O-ring		1
225	Top cover		1
232	Shaft seal		1

Motor



TM022248