

## 88. SRG

### SRG.xx.30 and SRG.35.50 (50/60 Hz) - SRG.xx.12 and SRG.48.20 (60 Hz, North America)

#### Bearing, motor

Pos.	Description	95065458
1038	Compensation disc	1
1039	Ball bearing 6208.2RS1/C3	1
1047	Ball bearing 6010.2RS1/C3	1

#### Bearing, gearbox

Pos.	Description	95065459
1090	Slotted nut	1
1091	Lock washer	1
1092	Tapered roller bearing 30207	1
1094	Tapered roller bearing 30207	1

#### Cable (11G1.5)

Pos.	Description	95038410	95038411
1001	Cable	10m / 32 ft	15m / 49 ft
1026	Cable joint	6	6
1027	Cable joint	4	4
1030	Cable shoe	1	1

#### Cable entry, 1.5 mm<sup>2</sup>

Pos.	Description	95065457
1003	Cable guide	1
1004	Cable sealing, large	1
1005	Thrust washer	1
1006	Cable sealing, small	1
1007	O-ring 39.45 x 2.62	1
1008	Cylinder head screw	2
1009	Cable relief	1
1025	O-ring 113.97 x 2.62	1
1026	Cable joint	10
1030	Cable shoe	1
-	Shrink hose for connectors	10

#### Gear housing

**Note:** Gear housing kit parts are pre-assembled.

Pos.	Description	95038404
1088	Gear housing	1
1089	Circlip	1
1090	Slotted nut	1
1091	Lock washer	1
1092	Tapered roller bearing 30207	1
1093	Gear shaft	1
1094	Tapered roller bearing 30207	1
1095	Intermediate ring	1
1101	Drain plug with magnet	1
1102	Plug	2
1105	Fit-in key	1
1119	PTFE tape	3

#### Radial seal

Pos.	Description	95039130
1022	O-ring 158.42 x 2.62	1
1104	Lip seal Ø85/105 x 13	2
	O-ring 85.0 x 2.5	1
1108	O-ring 105.0 x 3.0	1
	O-ring 184.0 x 3.0	1
1110	Washer Ø8.4/16 x 1.6 Ms	1
	Gasket NBR 70 Ø86/66 x 2	1
1157	Gasket NBR 70 96 x 75 x 2	1

#### Gasket kit

Pos.	Description	95065484
1004	Cable sealing, large	1
1006	Cable sealing, small	1
1007	O-ring 39.45 x 1.78	1
1022	O-ring 158.42 x 2.62	2
1025	O-ring 113.97 x 2.62	1
1037	O-ring 56.82 x 2.62	1
	Mechanical shaft seal, rotor	1
1048	Mechanical shaft seal, stator	1
1050	Shim washer	1
1051	Circlip	1
	O-ring 105.0 x 3.0	1
1108	O-ring 184.0 x 3.0	1

#### Shaft seal

Pos.	Description	95065462
1095	Intermediate ring	1
	Mechanical shaft seal, rotor	1
1098	Mechanical shaft seal, stator	1

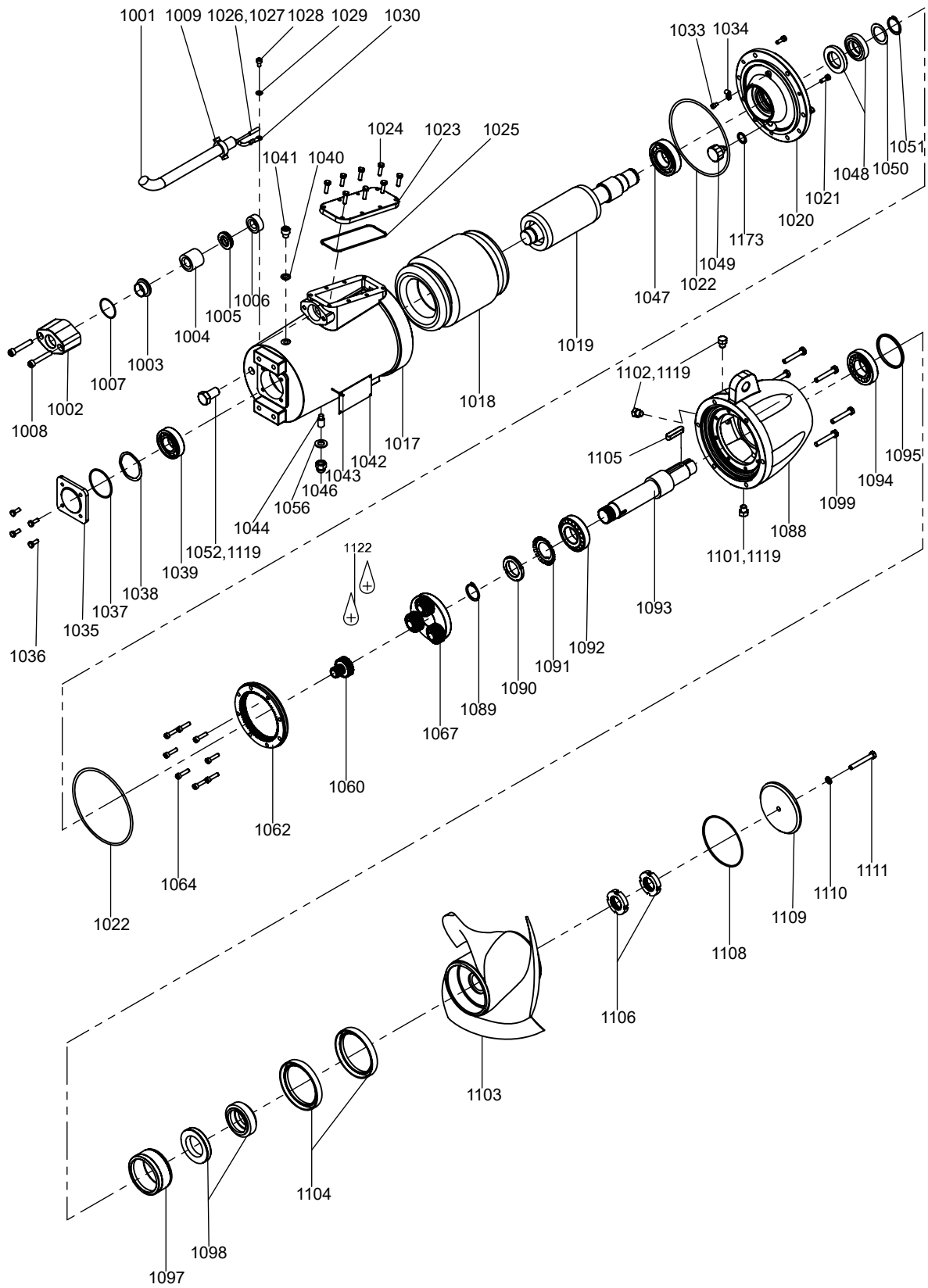
#### Water-in oil sensor

Pos.	Description	95038409
1049	Water-in-oil sensor	1
1173	Seal washer	1

#### Wear ring

Pos.	Description	95037374
1022	O-ring 158.42 x 3.0	1
1097	Wear ring ceramic	1
1104	Lip seal Ø85/105 x 13	2
	O-ring 85.0 x 2.5	1
1108	O-ring 105.0 x 3.0	1
	O-ring 184.0 x 3.0	1
1110	Washer Ø8.4/16 x 1.6 Ms	1
	Gasket NBR 70 Ø86/66 x 2	1
1157	Gasket NBR 70 96 x 75 x 2	1

SRG.xx.30 and SRG.35.50 (50/60 Hz) - SRG.xx.12 and SRG.48.20 (60 Hz, North America)



TM062752

## Gear

50 Hz	60 Hz SI	60 Hz US	i = 3.556	i = 3.875	i = 4.286	i = 4.833	i = 5.600	i = 6.750
SRG.08.30							95065509	
	SRG.08.30	SRG.11.12						95065523
SRG.10.30						95065510		
	SRG.11.30	SRG.15.12					95065509	
SRG.13.30					95065494			
	SRG.14/15.30	SRG.20.12				95065510		
SRG.16.30				95065512				
	SRG.18/19.30	SRG.26.12			95065494			
SRG.18.30			95065513					
	SRG.22/23.30	SRG.30.12		95065512				
SRG.30.30							95065509	
	SRG.30.30	SRG.40.12						95065523
SRG.40.30						95065510		
	SRG.40.30	SRG.55.12					95065509	
SRG.50.30					95065494			
	SRG.55.30	SRG.75.12				95065510		
SRG.60.30				95065512				
	SRG.70.30	SRG.95.12			95065494			
SRG.70.30			95065513					
	SRG.35.50	SRG.48.20						95065523
SRG.35.50							95065509	
<b>Pos.</b>	<b>Description</b>		95065513	95065512	95065494	95065510	95065509	65065523
1060	Sun wheel		1	1	1	1	1	1
1062	Ring gear		1	1	1	1	1	1
1067	Planet carrier complete		1	1	1	1	1	1

## Impeller

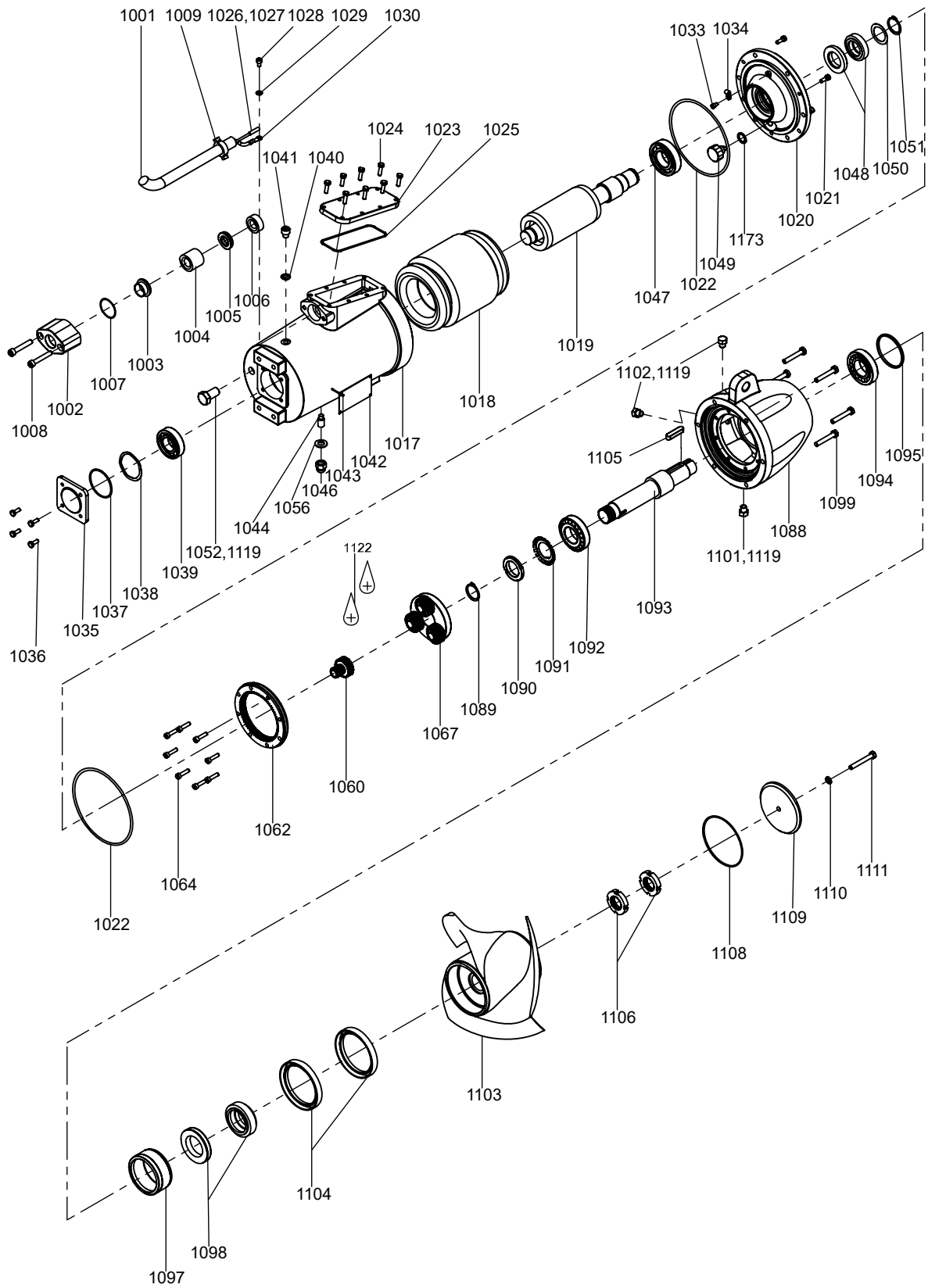
Pos.	Description	50/60 Hz	SRG.08-23.30	SRG.30-70.30	SRG.35.50
		60 Hz US	SRG.11-30.12	SRG.40-95.12	SRG.48.20
		Kit No	95038677	95038678	95038696
1103	Impeller Ø300/Ø35 8 °		1	-	-
	Impeller Ø300/Ø35 25 °		-	1	-
	Impeller Ø500/Ø35		-	-	1
1104	Lip seal Ø85/105 x 13		2	2	2
1105	Fit-in key		1	1	1
1106	Slotted nut		2	2	2
1108	O-ring 105.0 x 3.0		1	1	-
	O-ring 184.0 x 3.0		-	-	1
1109	Hub cover		1	1	1
1110	Washer Ø8.4/16 x 1.6 Ms		1	1	1
1111	Hexagon head screw		1	1	1



**Motor****Note:** Motor kit parts are pre-assembled.

Pos.	Description	50/60 Hz	SRG.35.50	SRG.08-22.30	SRG.23-50.30	SRG.55-70.30
		60 Hz US	SRG.48.20	SRG.11-30.12	SRG.40-55.12	SRG.75-95.12
		Kit No	95039701	95039705	95039706	95039738
1002	Cable flange		1	1	1	1
1007	O-ring		1	1	1	1
1008	Cylinder head screw		2	2	2	2
1017	Motor housing		1	1	1	1
1018	Stator winded 4-pole 3.6 kW (4.8 hp)		1	-	-	-
	Stator winded 2-pole 2.2 kW (3.0 hp)		-	1	-	-
	Stator winded 2-pole 5.0 kW (6.7 hp)		-	-	1	-
	Stator winded 2-pole 7.0 kW (9.5 hp)		-	-	-	1
1019	Rotor with shaft 4-pole 3.6 kW (4.8 hp)		1	-	-	-
	Rotor with shaft 2-pole 2.2 kW (3.0 hp)		-	1	-	-
	Rotor with shaft 2-pole 5.0 kW (6.7 hp)		-	-	1	-
	Rotor with shaft 2-pole 7.0 kW (9.5 hp)		-	-	-	1
1020	Motor flange		1	1	1	1
1021	Cylinder head screw		3	3	3	3
1022	O-ring		2	2	2	2
1023	Terminal box cover		1	1	1	1
1024	Hexagon head screw		8	8	8	8
1025	O-ring		1	1	1	1
1028	Cylinder head screw		1	1	1	1
1029	Lock washer		1	1	1	1
1033	Cylinder head screw		1	1	1	1
1034	Cable clamp		1	1	1	1
1035	Bearing cover		1	1	1	1
1036	Hexagon head screw		4	4	4	4
1037	O-ring		1	1	1	1
1038	Compensation disc		1	1	1	1
1039	Ball bearing 6206.2RS1/C3		1	1	1	1
1040	U-washer		1	1	1	1
1041	Cylinder head screw		1	1	1	1
1044	Set screw		1	1	1	1
1046	Nut		1	1	1	1
1047	Ball bearing 6207.2RS1/C3		1	1	1	1
1048	Mechanical shaft seal , rotor		1	1	1	1
	Mechanical shaft seal , stator		1	1	1	1
1049	Water-in-oil sensor		1	1	1	1
1050	Shim washer		1	1	1	1
1051	Circlip		1	1	1	1
1052	Plug		1	1	1	1
1056	Seal washer		1	1	1	1
1173	Seal washer		1	1	1	1

SRG.xx.30 and SRG.35.50 (50/60 Hz) - SRG.xx.12 and SRG.48.20 (60 Hz, North America)



TM062752

## SRG.50 - 100.50/80 and SRG.130.80 (50 Hz), SRG.50 - 130.50/80 (60 Hz SI), SRG.68 - 175.20/32 (60 Hz, North America)

**Note:** The pump SRG.120.80.323.11.5.1B is not included in this mentioned range (this exception affects only this pump type in 50Hz version)

### Bearing, motor

Pos.	Description	96645955
1038	Compensation disc	1
1039	Ball bearing SKF 6208.2RS1/C3 GJN	1
1047	Ball bearing SKF 6010.2RS1/C3 GJN	1

### Bearing, gearbox

Pos.	Description	95065467
1090	Slotted nut	1
1092	Tapered roller bearing 30209	1
1094	Tapered roller bearing 32209	1

### Cable (11G2.5)

Pos.	Description	95038486	95038487
1001	Cable	10 m / 32 ft	15 m / 49 ft
1026	Cable joint	6	6
1027	Cable joint	4	4
1030	Cable shoe	1	1

### Cable entry, 2.5 mm<sup>2</sup>

Pos.	Description	95065465
1003	Cable guide	1
1004	Cable sealing, large	1
1005	Thrust washer	1
1006	Cable sealing, small	1
1007	O-ring 54.0 x 3.0	1
1008	Cylinder head screw	2
1009	Cable relief	1
1025	O-ring 139.29 x 3.53	1
1026	Cable joint	10
1030	Cable shoe	7
-	Shrink hose for connectors	10

### Gear housing

**Note:** Gear housing kit parts are pre-assembled.

Pos.	Description	95038481
1088	Gear housing	1
1089	Circlip	1
1090	Slotted nut	1
1092	Tapered roller bearing 30209	1
1093	Gear shaft	1
1094	Tapered roller bearing 32209	1
1101	Drain plug with magnet	1
1102	Plug	2
1105	Fit-in key	1
1119	PTFE tape	3

### Impeller

Pos.	Description	50 Hz	SRG.50-100.50	SRG.70/100/130.80
		60 Hz SI	SRG.50-100.50	SRG.70-130.80
		60 Hz US	SRG.68-135.20	SRG.95-175.32
		Kit No	95038701	95039707
1103	Impeller Ø500/Ø45		1	-
	Impeller Ø800/Ø45		-	1
1104	Lip seal Ø100/120 x 12		2	2
1105	Fit-in key		1	1
1106	Slotted nut		2	2
1108	O-ring 184.0 x 3.0		1	-
	O-ring 225.0 x 3.0		-	1
1109	Hub cover		1	1
1110	Washer Ø10.5/20 x 2 Ms		1	1
1111	Hexagon head screw		1	1

### Radial sealing

Pos.	Description	95039131
1022	O-ring 215.57 x 2.62	1
1104	Lip seal Ø100/120 x 12	2
	O-ring 94.92 x 2.62	1
1108	O-ring 184.0 x 3.0	1
	O-ring 225.0 x 3.0	1
1110	Washer Ø10.5/20 x 2.0	1
1157	Gasket 96 x 75 x 2	1

### Gasket kit

Pos.	Description	95065486
1004	Cable sealing, large	1
1006	Cable sealing, small	1
1007	O-ring 54.0 x 3.0	1
1022	O-ring 215.57 x 2.62	2
1025	O-ring 139.29 x 3.53	1
1037	O-ring 75.87 x 2.62	1
1048	Mechanical shaft seal, rotor	1
	Mechanical shaft seal, stator	1
1050	Shim washer	1
1051	Circlip	1
1108	O-ring 225.0 x 3.0	1
	O-ring 184.0 x 3.0	1

### Shaft seal

Pos.	Description	95065470
1098	Mechanical shaft seal, rotor	1
	Mechanical shaft seal, stator	1

### Wear ring

Pos.	Description	95037375
1022	O-ring 215.57 x 2.62	1
1097	Wear ring ceramic	1
1104	Lip seal Ø100/120 x 12	2

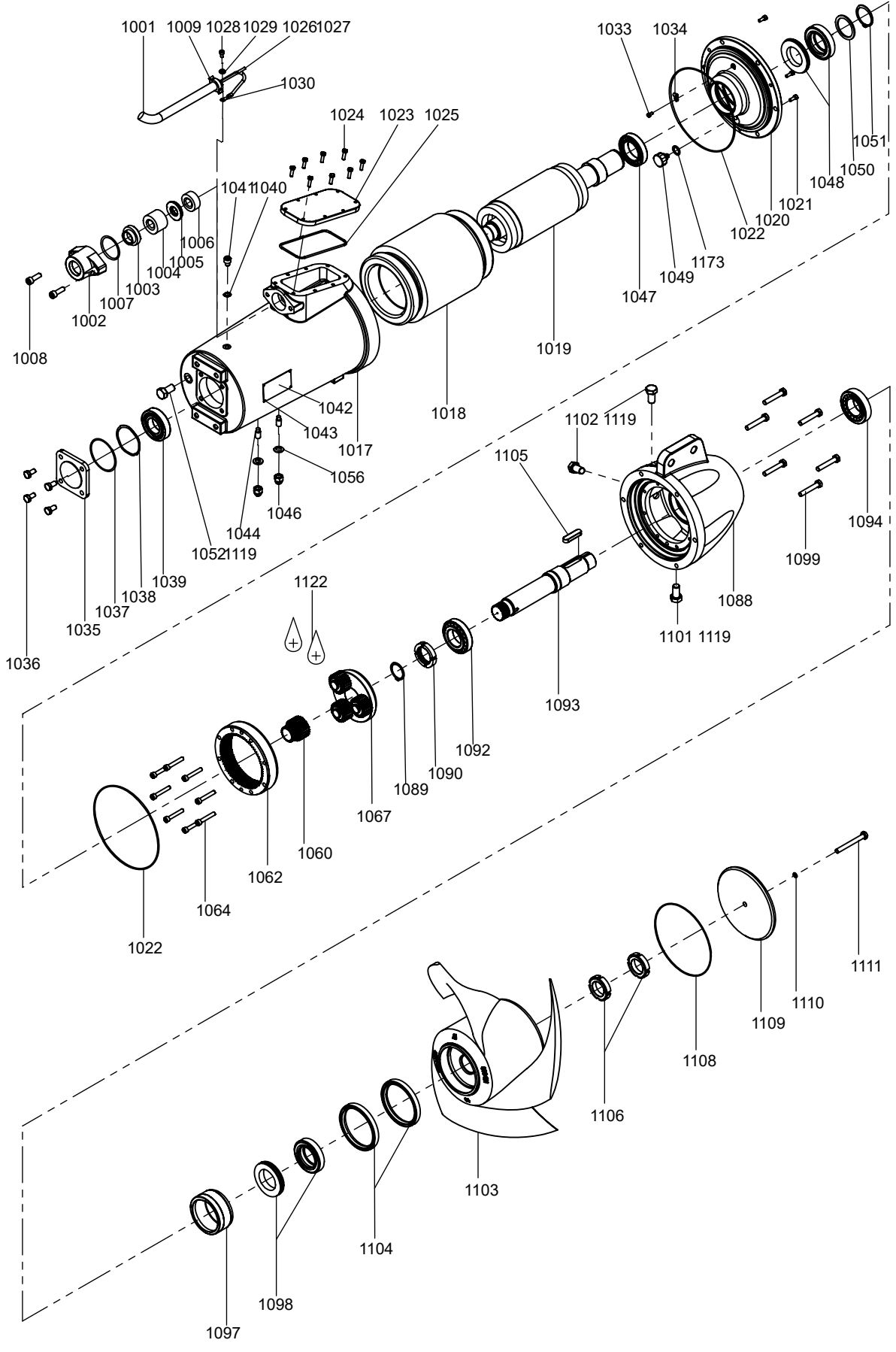
Pos.	Description	95037375
	O-ring 94.92 x 2.62	1
1108	O-ring 184.0 x 3.0	1
	O-ring 225.0 x 3.0	1
1110	Washer $\varnothing$ 10.5/20 x 2 Ms	1
1157	Gasket NBR 70 96 x 75 x 2	1

**Water-in oil sensor**

Pos.	Description	95038409
1049	Water-in-oil sensor	1
1173	Seal washer	1



SRG.50 - 100.50/80 and SRG.130.80 (50 Hz), SRG.50 - 130.50/80 (60 Hz SI),  
SRG.68 - 175.20/32 (60 Hz, North America)



TM062750

## Gear

50 Hz	60 Hz SI	60 Hz US	i = 3.556	i = 3.875	i = 4.286	i = 4.833	i = 5.600	i = 6.750
SRG.50.50						95065518		
	SRG.50.50	SRG.68.20					95065517	
SRG.65.50					95065495			
	SRG.70.50	SRG.95.20				95065518		
SRG.80.50				95065515				
	SRG.100.50	SRG.135.20			95065495			
SRG.100.50			95065516					
	SRG.70.80	SRG.95.32						95065524
SRG.70.80	SRG.120.80	SRG.160.32					95065517	
SRG.100.80	SRG.130.80	SRG.175.32				95065518		
SRG.130.80.340					95065495			
SRG.130.80.375				95065515				
Pos.	Description		95065516	95065515	95065495	95065518	95065517	65065524
1060	Sun wheel		1	1	1	1	1	1
1062	Ring gear		1	1	1	1	1	1
1067	Planet carrier complete		1	1	1	1	1	1

**Motor****Note:** Motor kit parts are pre-assembled.

Pos.	Description	50 Hz	SRG.50-70.50 SRG.70.80	SRG.80-100.50 SRG.100/130.80
		60 Hz SI	SRG.50-70.50 SRG.70.80	SRG.100.50 SRG.120/130.80
		60 Hz US	SRG.68-95.20 SRG.95.32	SRG.135.20 SRG.160-175.32
		Kit No	95039702	95039703
1002	Cable flange		1	1
1007	O-ring		1	1
1008	Cylinder head screw		2	2
1017	Motor housing		1	1
1018	Stator winded 4 pole 7.0 kW (9.5 hp)		1	-
	Stator winded 4 pole 13.0 kW (17.5 hp)		-	1
1019	Rotor with shaft 4 pole 7.0 kW (9.5 hp)		1	-
	Rotor with shaft 4 pole 13.0 kW (17.5 hp)		-	1
1020	Motor flange		1	1
1021	Cylinder head screw		3	3
1022	O-ring		2	2
1023	Terminal box cover		1	1
1024	Hexagon head screw		8	8
1025	O-ring		1	1
1028	Cylinder head screw		1	1
1029	Lock washer		1	1
1033	Cylinder head screw		1	1
1034	Cable clamp		1	1
1035	Bearing cover		1	1
1036	Hexagon head screw		4	4
1037	O-ring		1	1
1038	Compensation disc		1	1
1039	Ball bearing 6208.2RS1/C3		1	1
1040	U-washer		1	1
1041	Cylinder head screw		1	1
1044	Set screw		2	2
1046	Nut		2	2
1047	Ball bearing 6010.2RS1/C3		1	1
1048	Mechanical shaft seal , rotor		1	1
	Mechanical shaft seal , stator		1	1
1049	Water-in-oil sensor		1	1
1050	Shim		1	1
1051	Circlip		1	1
1052	Plug		1	1
1056	Seal washer		2	2
1173	Seal washer		1	1



## SRG.120.80.323.11.5.1B and SRG.150 - 240.80 (50/60 Hz) and SRG.200 - 320.32 (60 Hz North America)

### Bearing, motor

Pos.	Description	95065474
1038	Compensation disc	1
1039	Ball bearing SKF 6210.2RS1/C3	1
1047	Ball bearing SKF 6210.2RS1/C3	1

### Bearing, gearbox

Pos.	Description	95065475
1090	Slotted nut	1
1091	Lock washer	1
1092	Tapered roller bearing 30212	1
1094	Tapered roller bearing 33212	1

### Cable (7G4+4x1.0)

Pos.	Description	95038520	95038521
1001	Cable	10 m / 32 ft	15 m / 49 ft
1026	Cable joint	6	6
1027	Cable joint	4	4
1030	Cable shoe	1	1

### Cable entry, 4.0 mm<sup>2</sup>

Pos.	Description	95065473
1003	Cable guide	1
1004	Cable sealing, large	1
1005	Thrust washer	1
1006	Cable sealing, small	1
1007	O-ring 54.0 x 3.0	1
1008	Cylinder head screw	2
1009	Cable relief	1
1025	O-ring 139.29 x 3.53	1
1026	Cable joint	6
1027	Cable joint	4
1030	Cable shoe	7
-	Shrink hose for connectors	10

### Gear housing

**Note:** Gear housing kit part are pre-assembled.

Pos.	Description	95038516
1088	Gear housing	1
1090	Slotted nut	1
1091	Lock washer	1
1092	Tapered roller bearing 30212	1
1093	Gear shaft	1
1094	Tapered roller bearing 33212	1
1095	Intermediate ring	1
1101	Drain plug with magnet	1
1102	Plug	2
1105	Fit-in key	1
1119	PTFE tape	3

### Impeller

Pos.	Description	95038710
1103	Impeller Ø800/Ø55	1
1104	Lip seal	2
1105	Fit-in key	1
1106	Slotted nut	2
1108	O-ring 225.0 x 3.0	1
1109	Hub cover	1
1110	Washer Ø13/24 x 2.5	1
1111	Hexagon head screw	1

### Radial seal

Pos.	Description	95039132
1022	O-ring 253.59 x 3.53	1
1104	Lip seal Ø125/150 x 12	2
1108	O-ring 94.92 x 2.62	1
	O-ring 120.24 x 3.53	1
	O-ring 225.0 x 3.0	1
1110	Washer Ø13/24 x 2.5	1

### Gasket kit

Pos.	Description	95065489
1004	Cable sealing, large	1
1006	Cable sealing, small	1
1007	O-ring 54.0 x 3.0	1
1022	O-ring 253.59 x 3.53	2
1025	O-ring 139.29 x 3.53	1
1037	O-ring 91.67 x 3.53	1
1048	Mechanical shaft seal, rotor	1
	Mechanical shaft seal, stator	1
1050	Shim	1
1051	Circlip	1
1108	O-ring 225.0 x 3.0	1

### Shaft seal

Pos.	Description	95065478
1095	Intermediate ring	1
1098	Mechanical shaft seal, rotor	1
	Mechanical shaft seal, stator	1

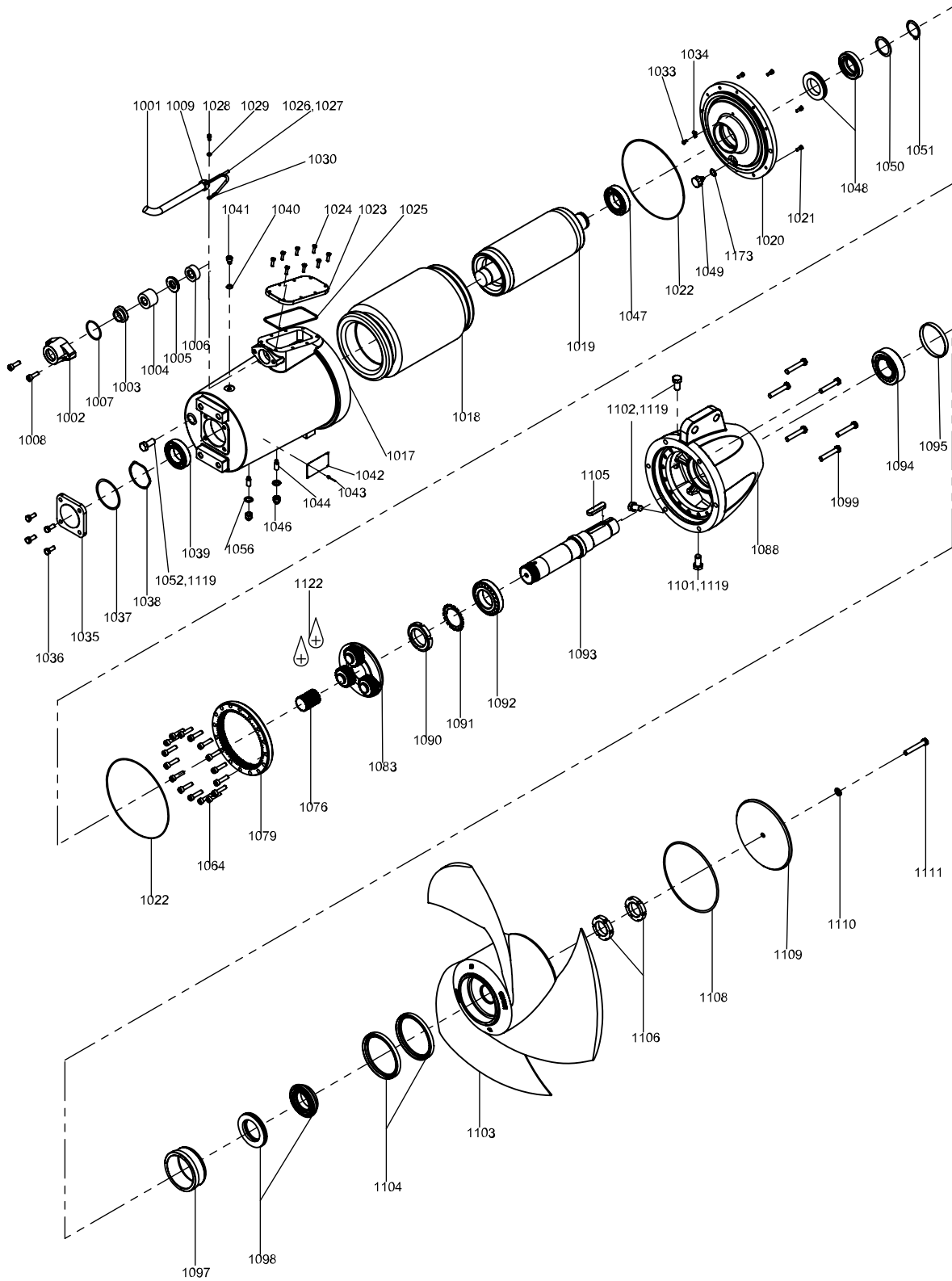
### Water-in oil sensor

Pos.	Description	95038409
1049	Water-in-oil sensor	1
1173	Seal washer	1

### Wear ring

Pos.	Description	95037376
1022	O-ring 253.59 x 3.53	1
1097	Wear ring ceramic	1
1104	Lip seal Ø125/150 x 12	2
	O-ring 94.92 x 2.62	1
1108	O-ring 120.24 x 3.53	1
	O-ring 225.0 x 3.0	1
1110	Washer Ø13/24 x 2.5	1

SRG.120.80.323.11.5.1B and SRG.150 - 240.80 (50/60 Hz) and SRG.200 - 320.32 (60 Hz North America)



TM062751

## Gear

50 Hz	60 Hz SI	60 Hz US	i = 3.500	i = 3.778	i = 4.125	i = 4.571	i = 5.167
SRG.120.80						95038611	
	SRG.150.80	SRG.200.32					95065525
SRG.160.80					95065496		
	SRG.180.80.381					95038611	
SRG.200.80				95065521			
	SRG.180.80.422				95065496		
SRG.240.80			95065522				
	SRG.200.80	SRG.270.32				95038611	
	SRG.240.80	SRG.320.32			95065496		

Pos.	Description	95065522	95065521	65065496	95038611	95065525
1076	Sun wheel	1	1	1	1	1
1079	Ring gear	1	1	1	1	1
1083	Planet carrier complete	1	1	1	1	1

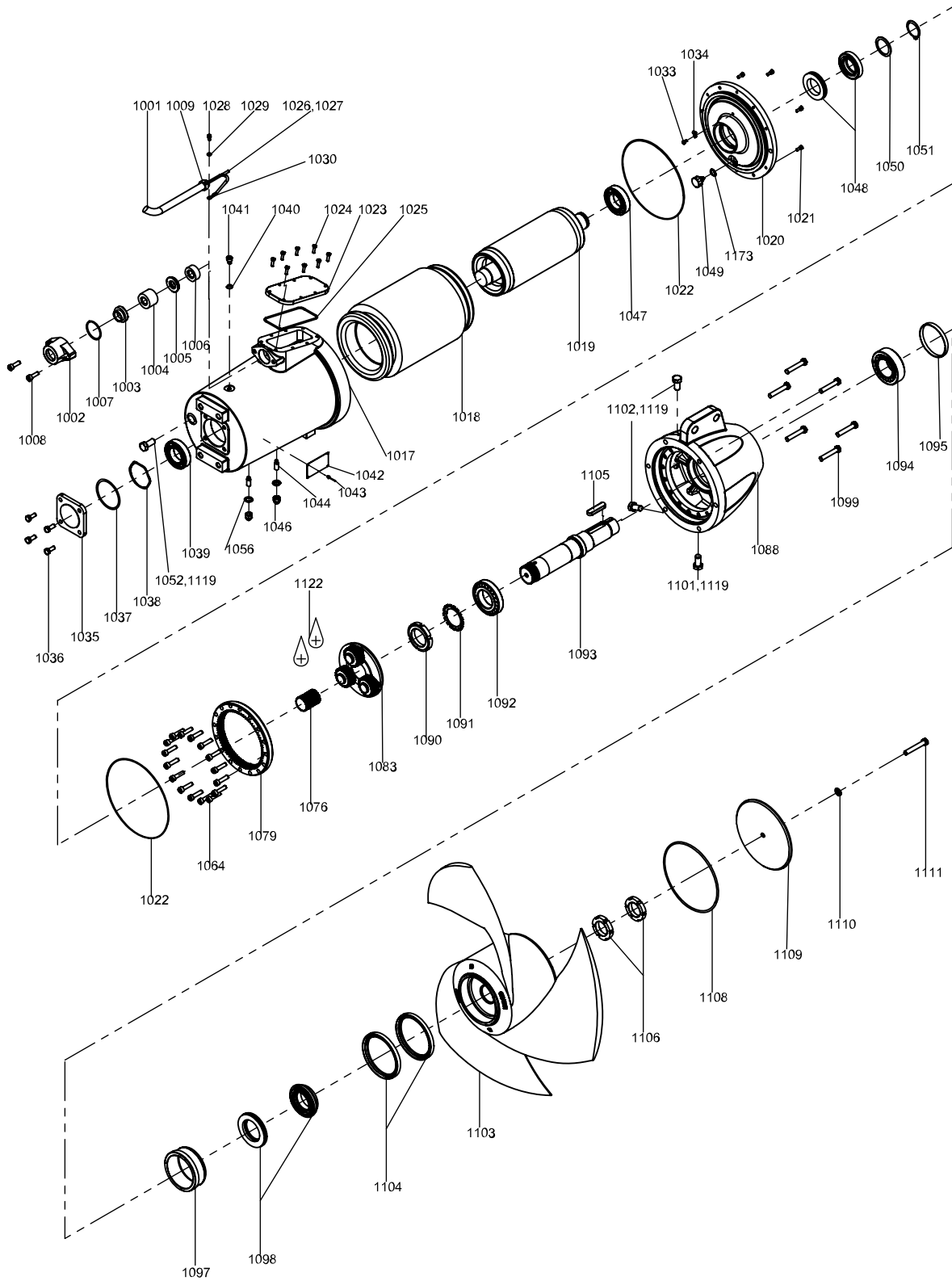
## Motor

**Note:** Motor kit parts are pre-assembled.

Pos.	Description	50Hz	SRG.120.80.323.11.5.1B
		50/60Hz	SRG.150-240.80
		60Hz US	SRG.200-320.32
		Kit No	95039704
1002	Cable flange		1
1007	O-ring		1
1008	Cylinder head screw		2
1017	Motor housing		1
1018	Stator wound 4-pole 24.0 kW (32.2 hp)		1
1019	Rotor with shaft 4-pole 24.0 kW (32.2 hp)		1
1020	Motor flange		1
1021	Cylinder head screw		6
1022	O-ring		2
1023	Terminal box cover		1
1024	Hexagon head screw		8
1025	O-ring		1
1028	Cylinder head screw		1
1029	Lock washer		1
1033	Cylinder head screw		1
1034	Cable clamp		1

Pos.	Description	50Hz	SRG.120.80.323.11.5.1B
		50/60Hz	SRG.150-240.80
		60Hz US	SRG.200-320.32
		Kit No	95039704
1035	Bearing cover		1
1036	Hexagon head screw		4
1037	O-ring		1
1038	Compensation disc		1
1039	Ball bearing 6210.2RS1/C3		1
1040	U-Washer		1
1041	Cylinder head screw		1
1044	Set screw		2
1046	Nut		2
1047	Ball bearing SKF 6210.2RS1/C3		1
1048	Mechanical shaft seal , rotor		1
	Mechanical shaft seal , stator		1
1049	Water-in-oil sensor		1
1050	Shim		1
1051	Retaining ring A 50		1
1052	Plug		1
1056	Seal washer		2
1119	PTFE tape		1
1173	Seal washer		1

SRG.120.80.323.11.5.1B and SRG.150 - 240.80 (50/60 Hz) and SRG.200 - 320.32 (60 Hz North America)



TM062751