



# MAGNA3 ML / S



[GRUNDFOS.COM/MANUAL-MAGNA3](http://GRUNDFOS.COM/MANUAL-MAGNA3)



MAGNA3 ML



MAGNA3 ML D



MAGNA3 S







Max. 95 % RH  
Enclosure Type 2



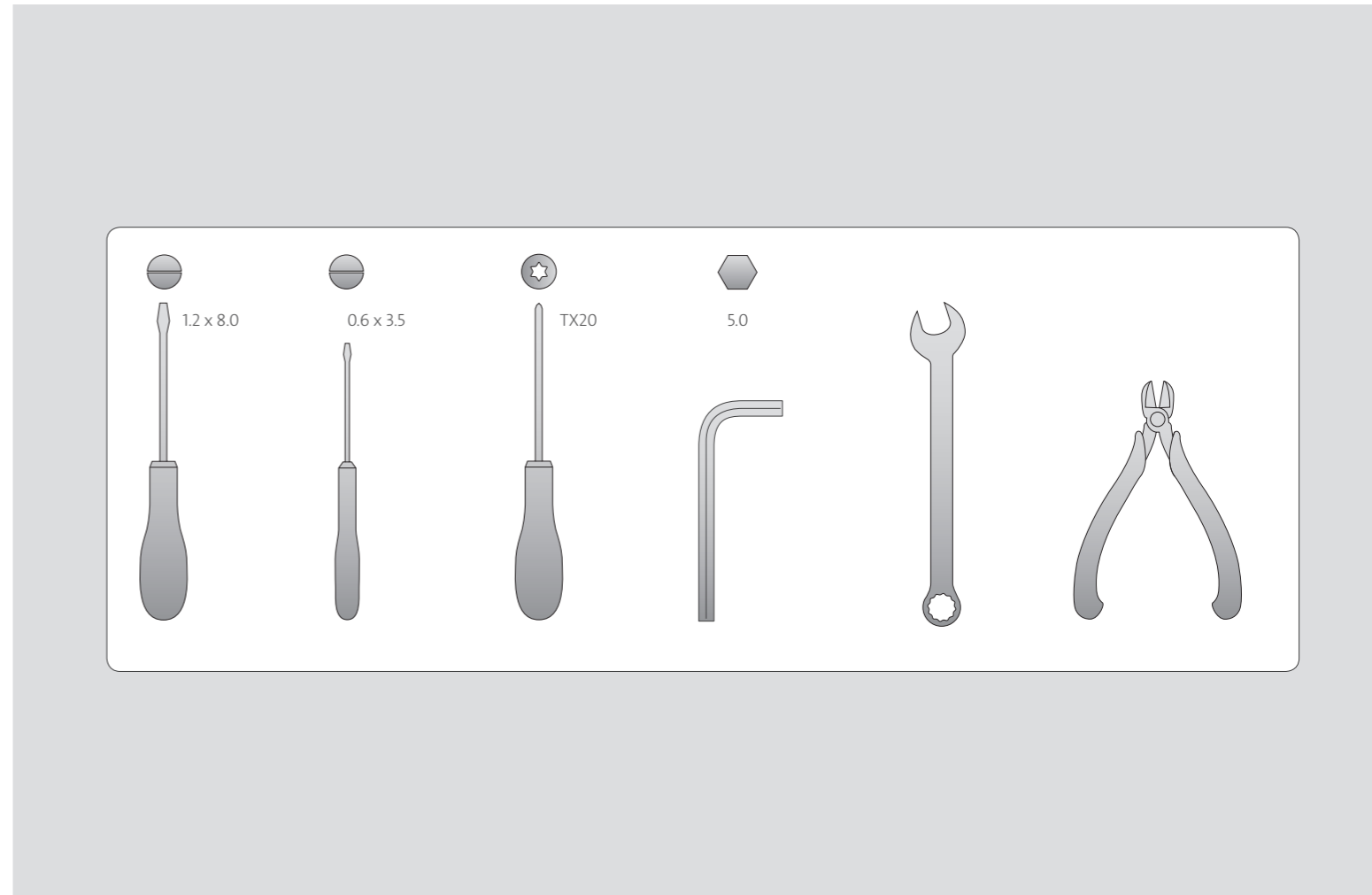
Min./Max.  
+14 °F – 230 °F  
(-10 °C – +110 °C)

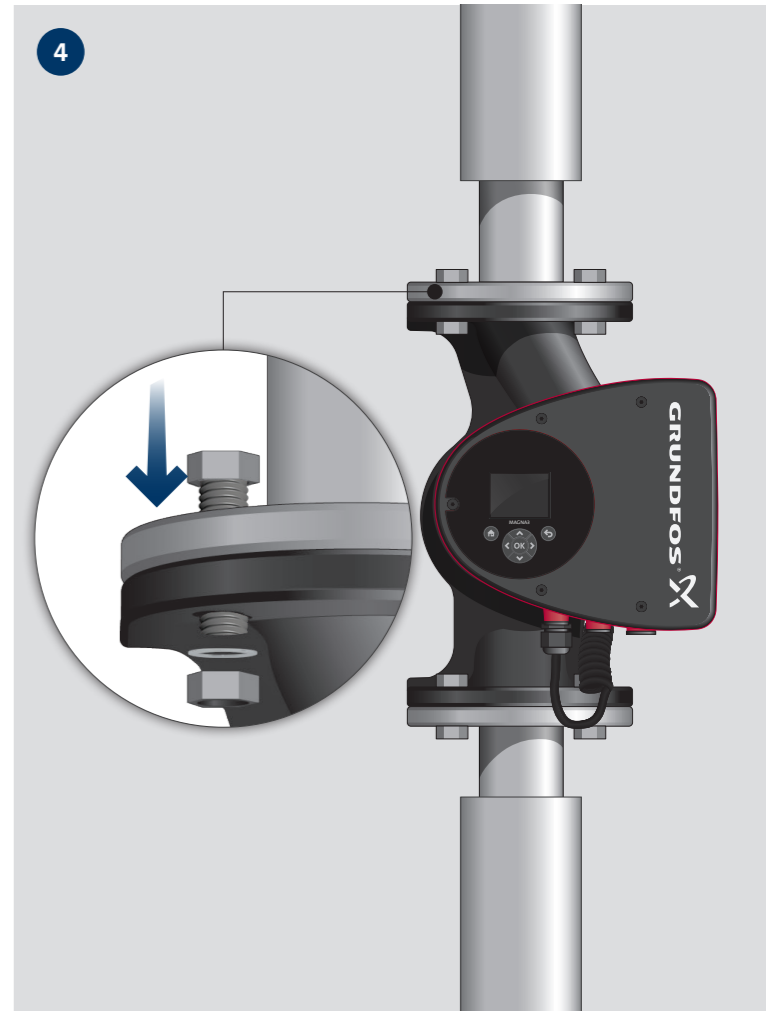
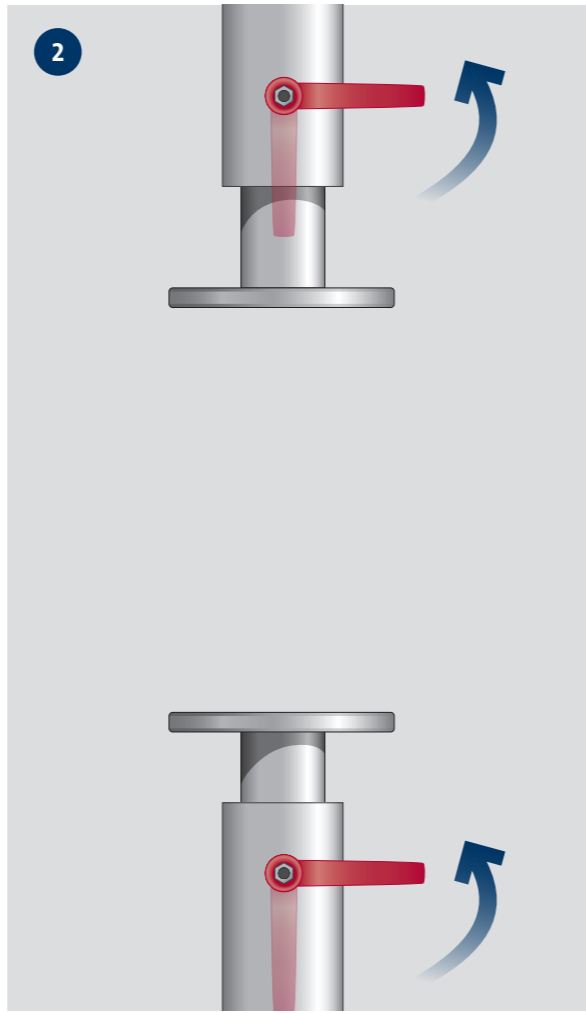
PN 6: 87 psi (6 bar/0.6 MPa)  
PN 10: 145 psi (10 bar/1.0 MPa)  
PN 16: 232 psi (16 bar/1.6 MPa)

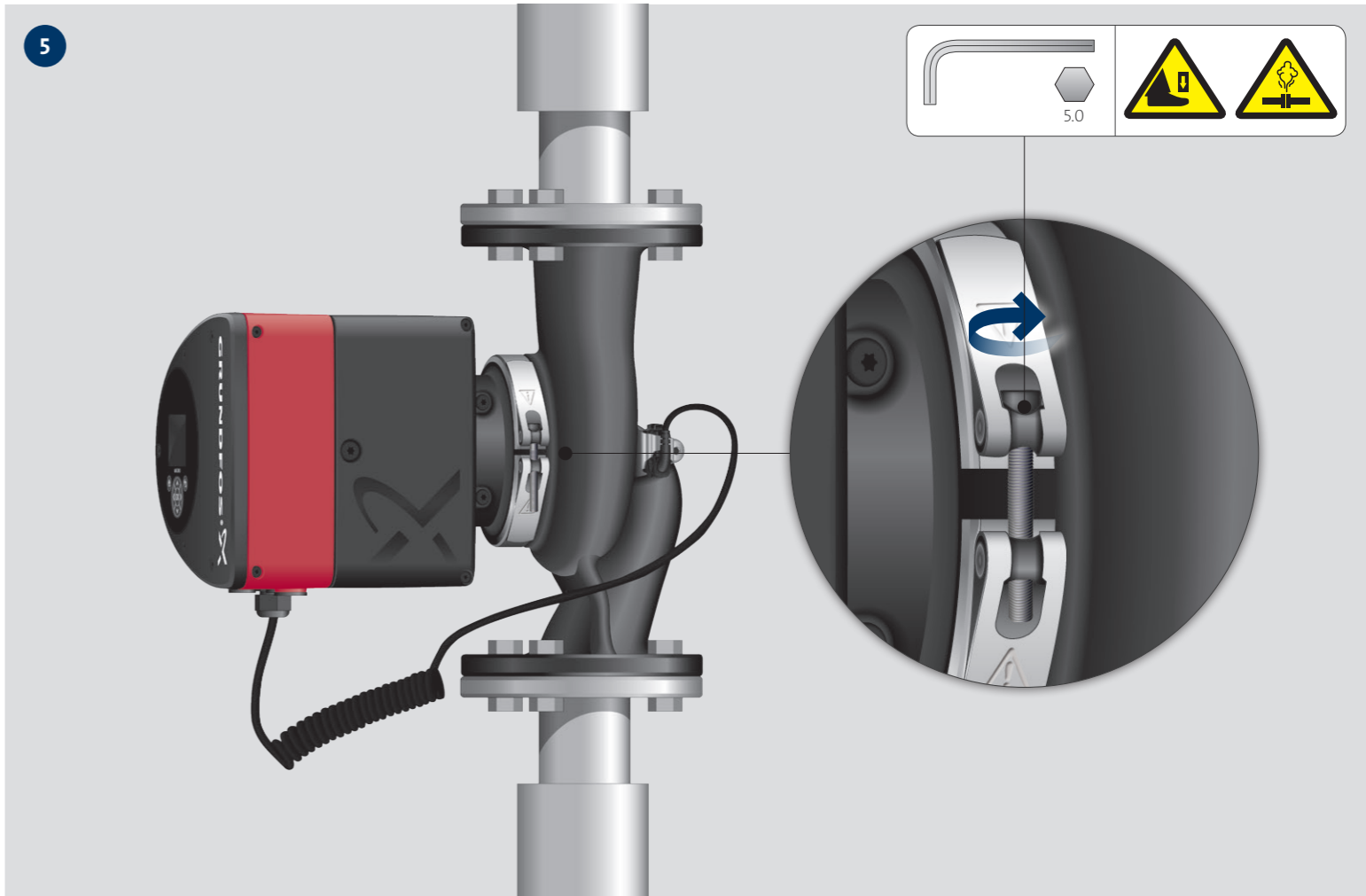
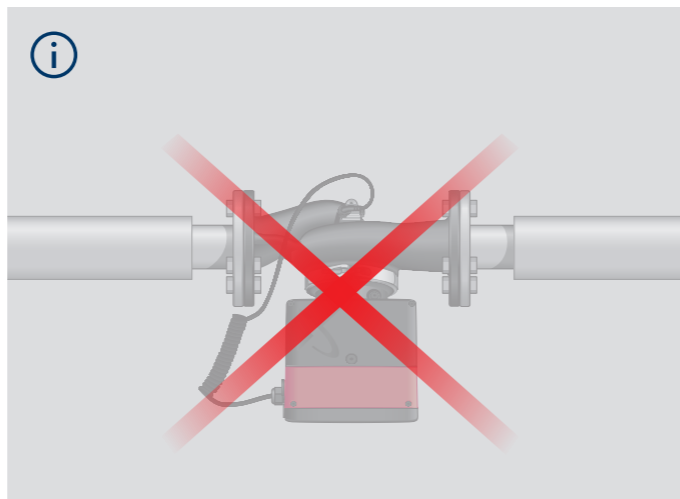
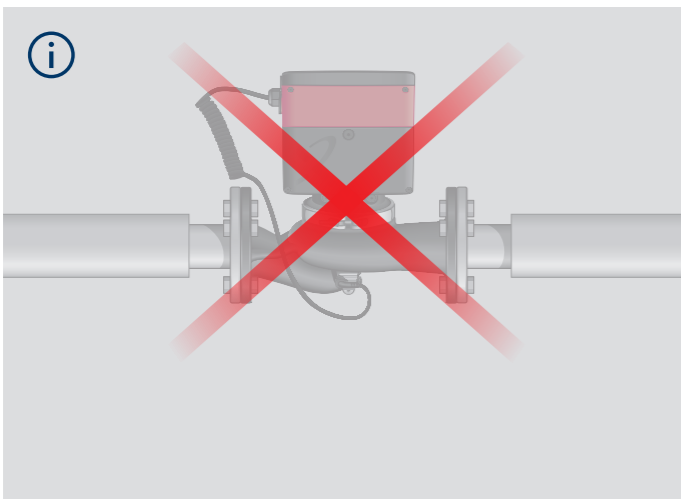
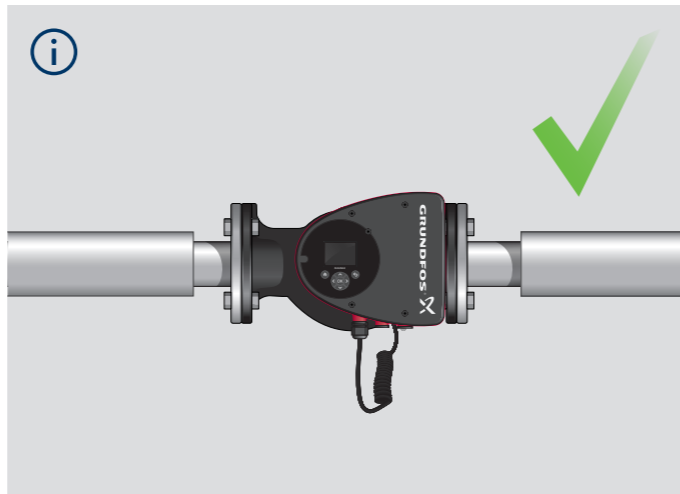
Min./Max.  
+32 °F – +104 °F  
(0 °C – +40 °C)

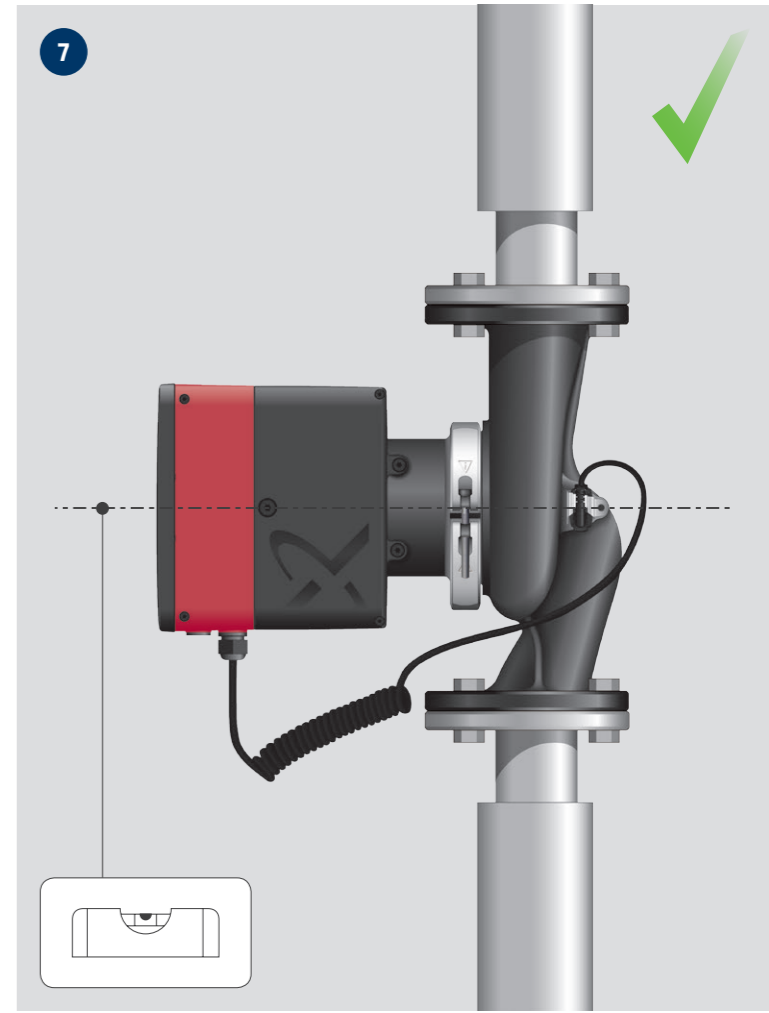
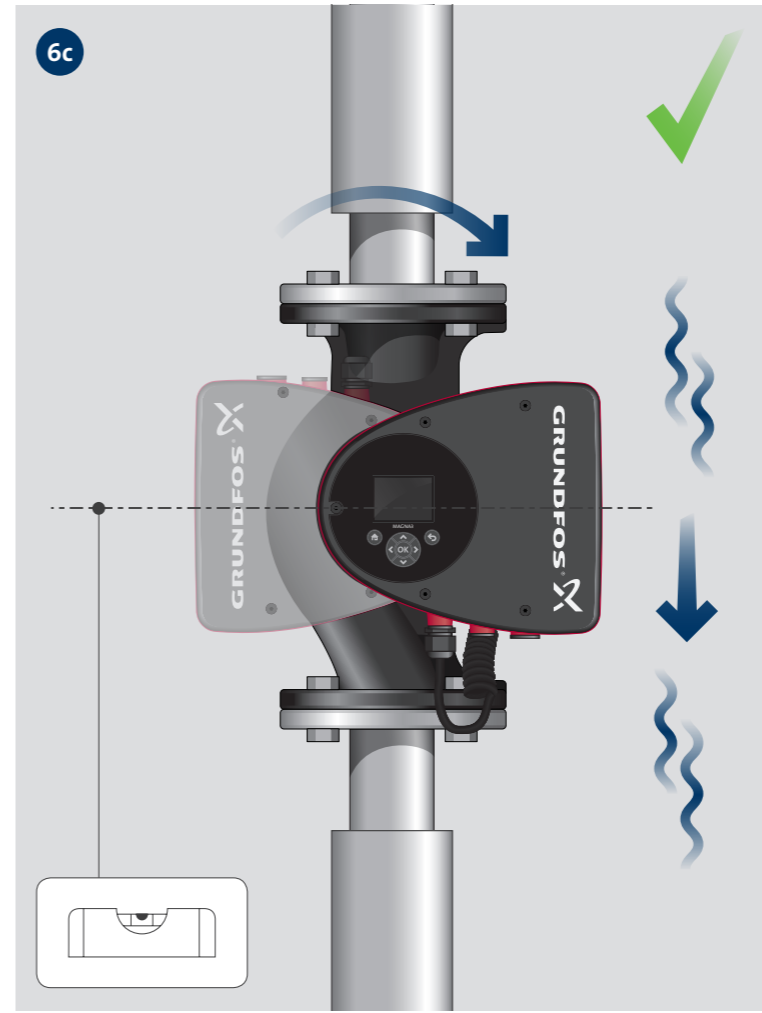
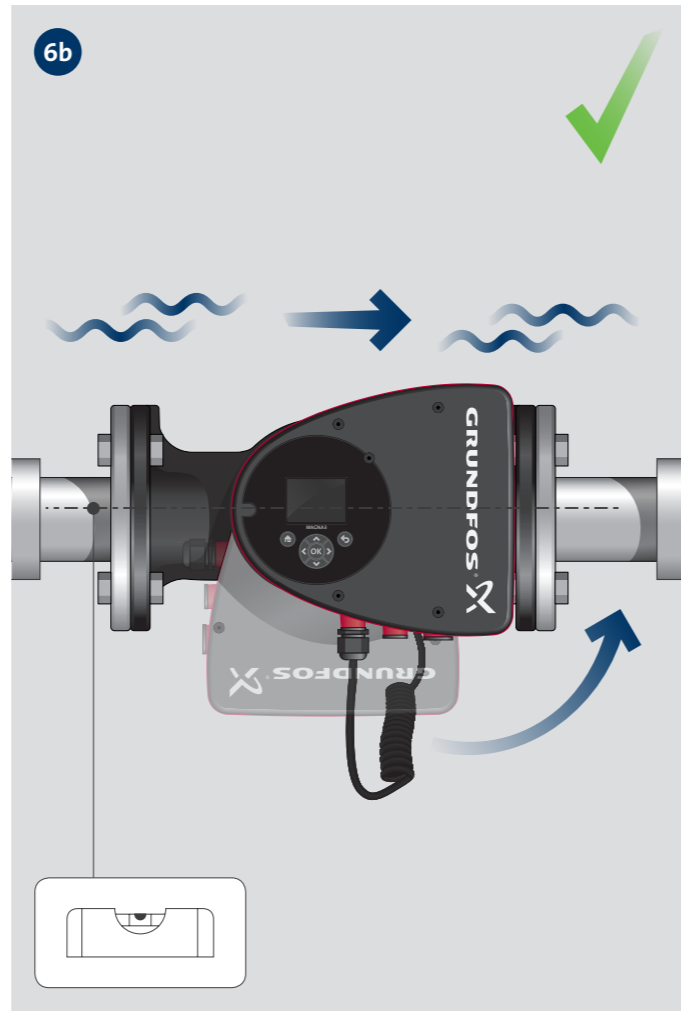
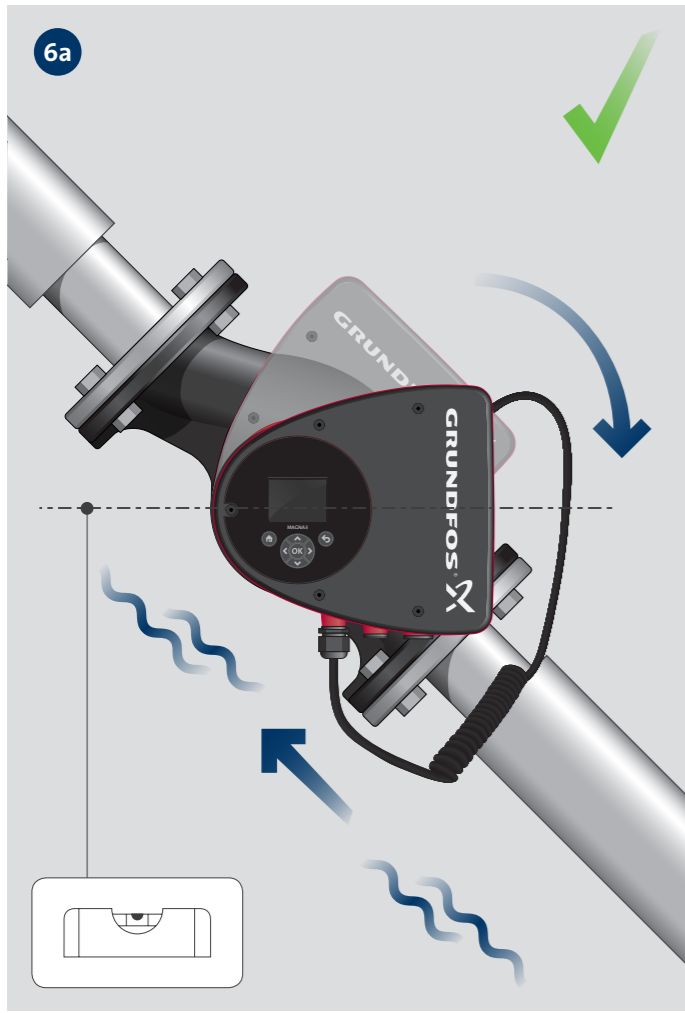
< 43 dB(A)

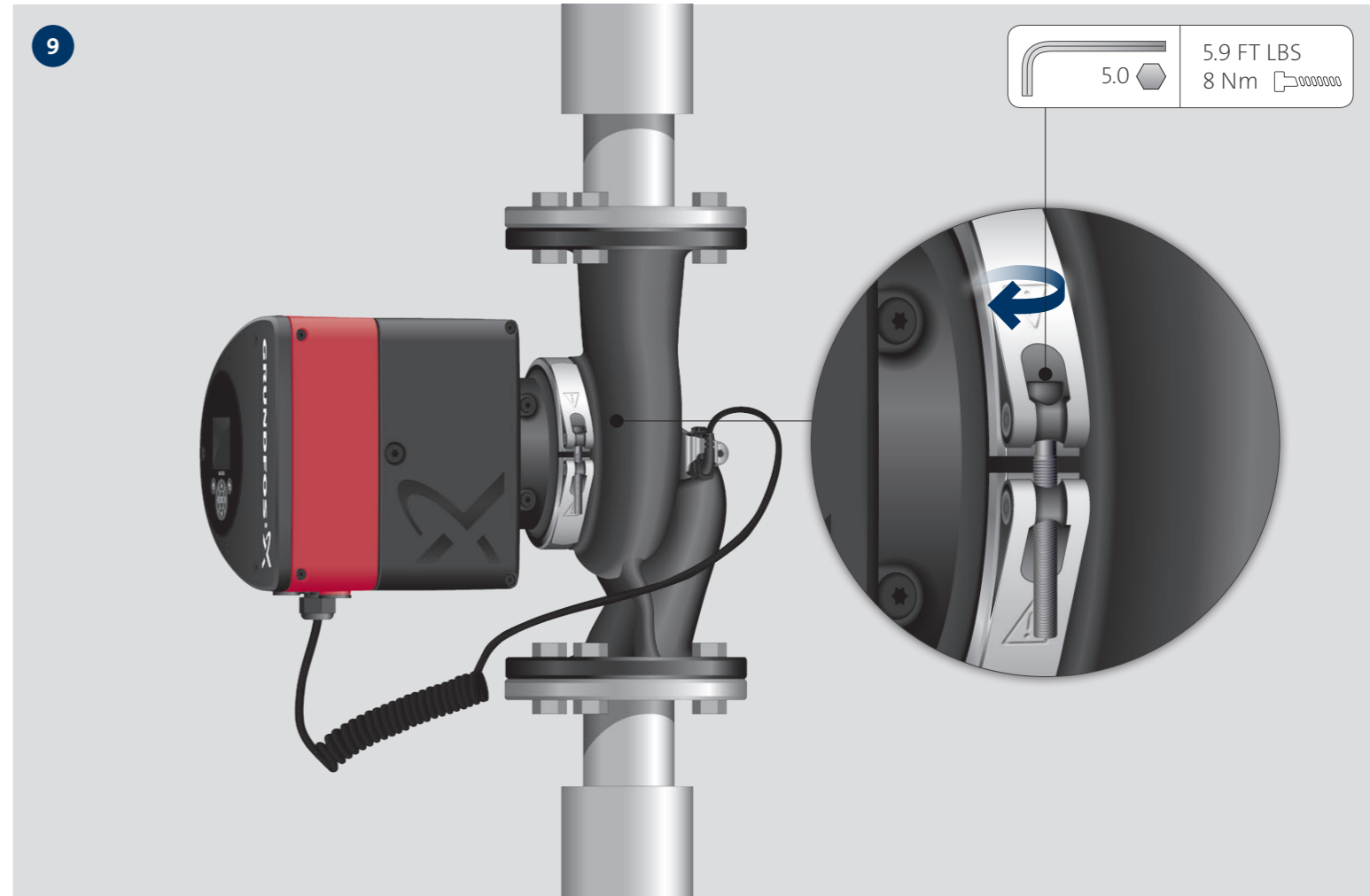
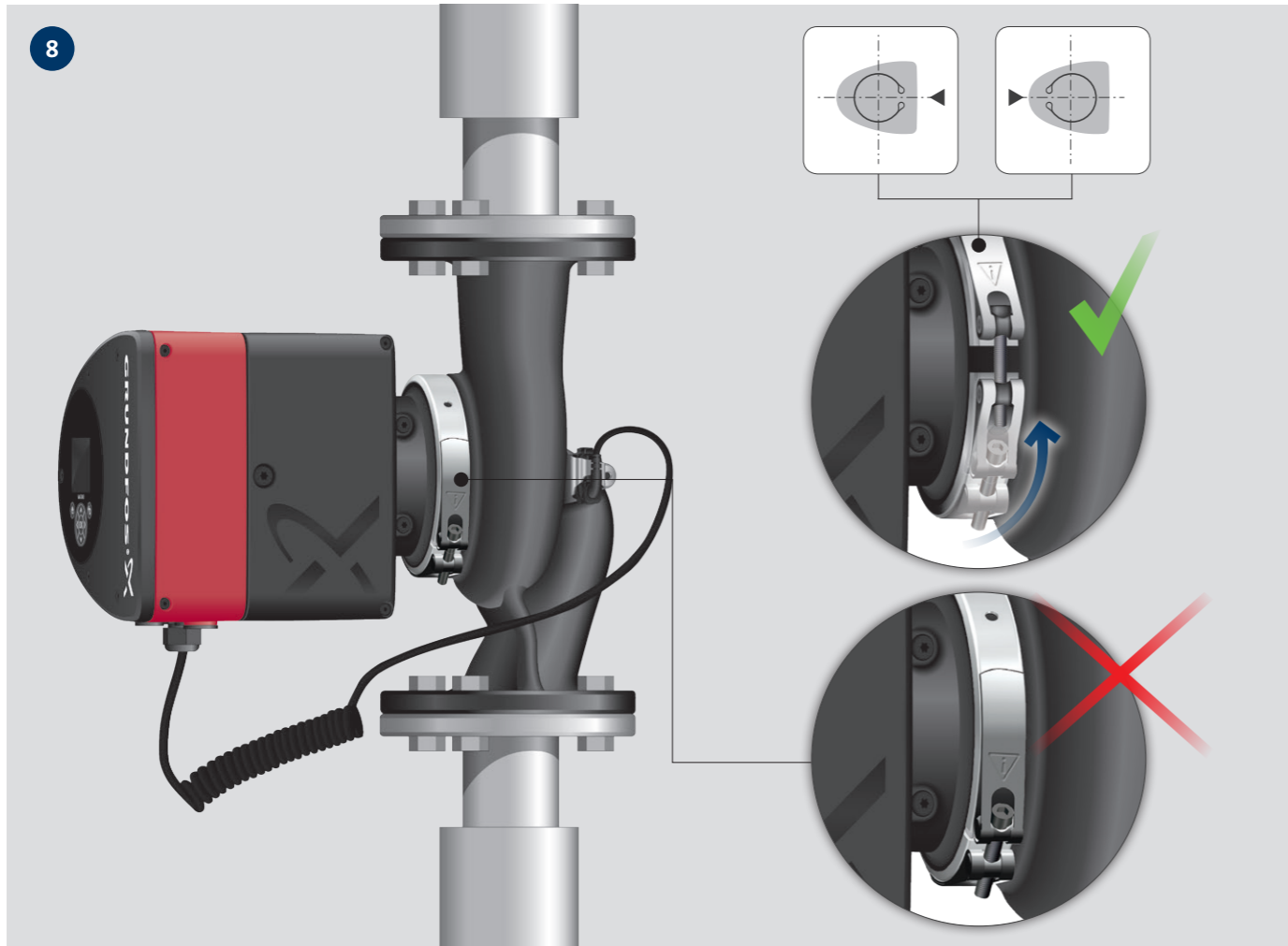




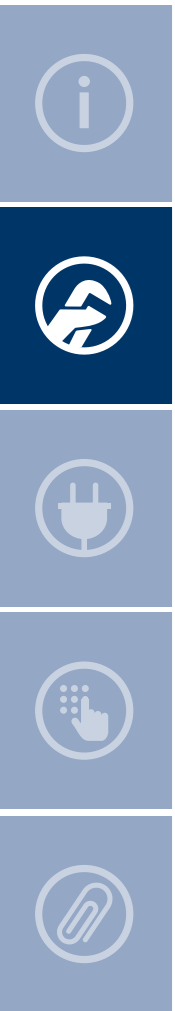




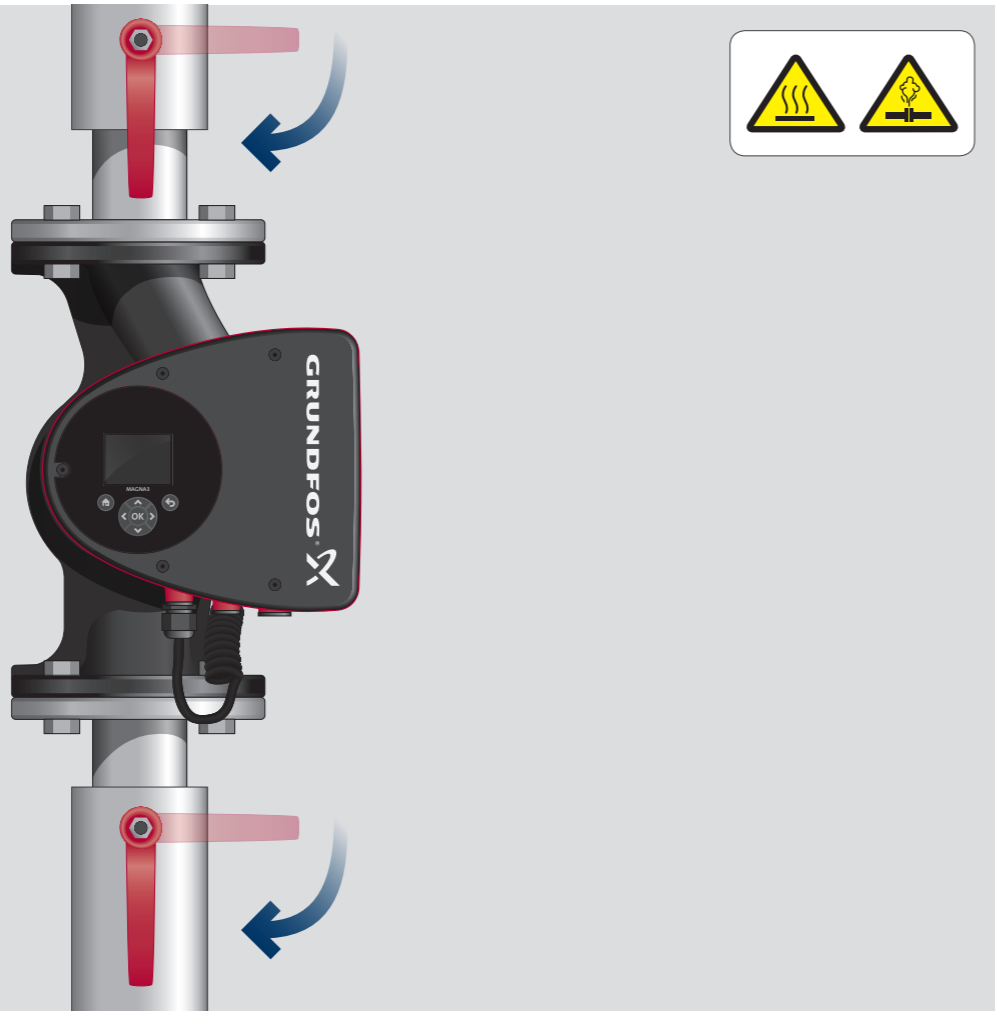




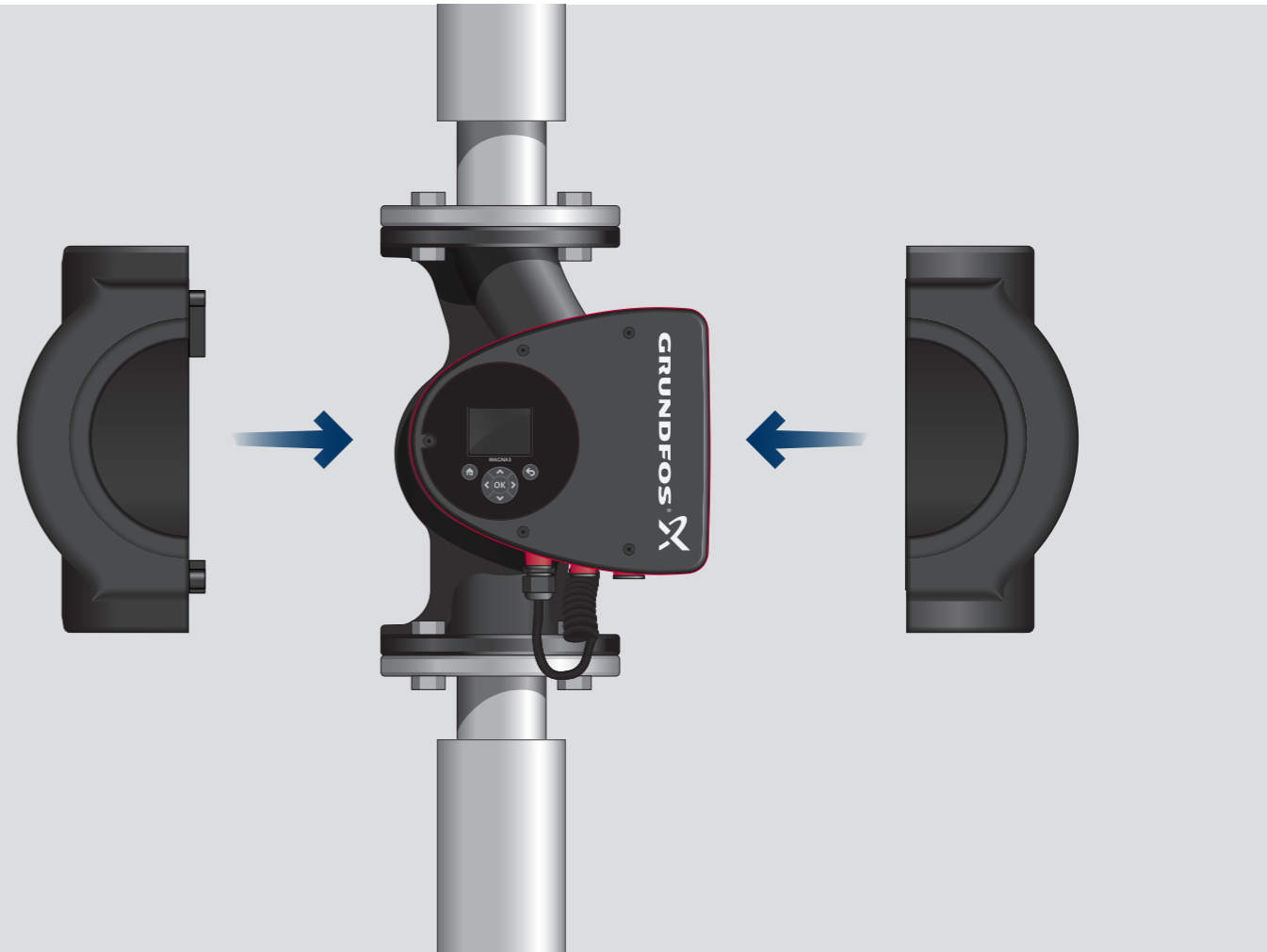




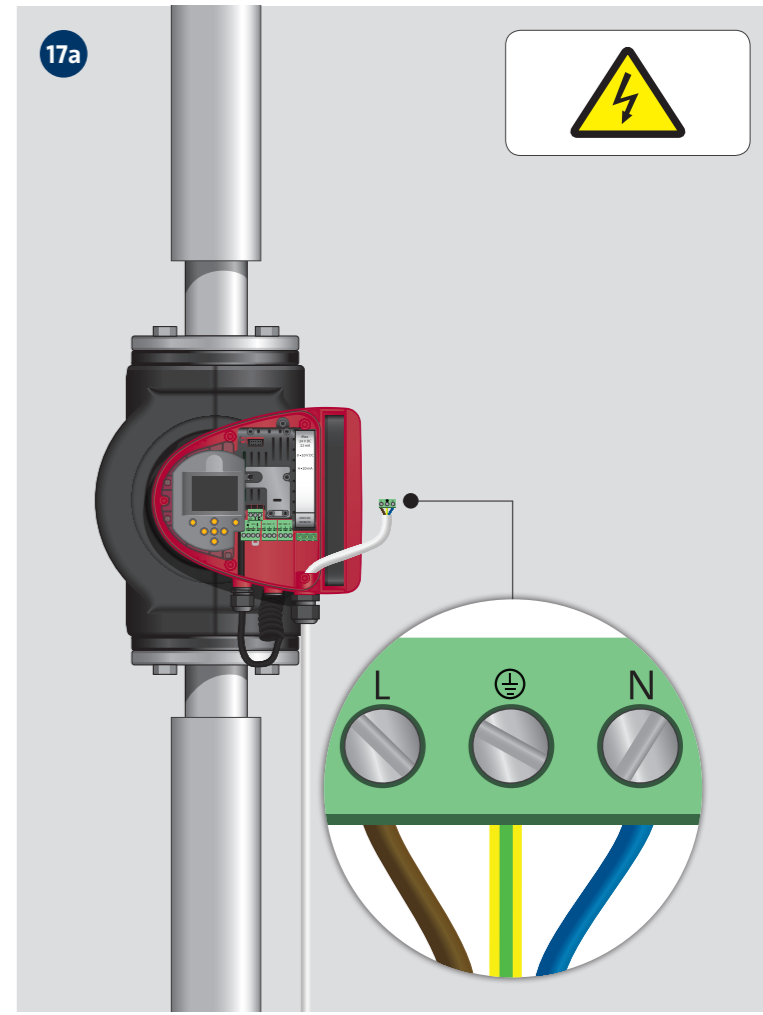
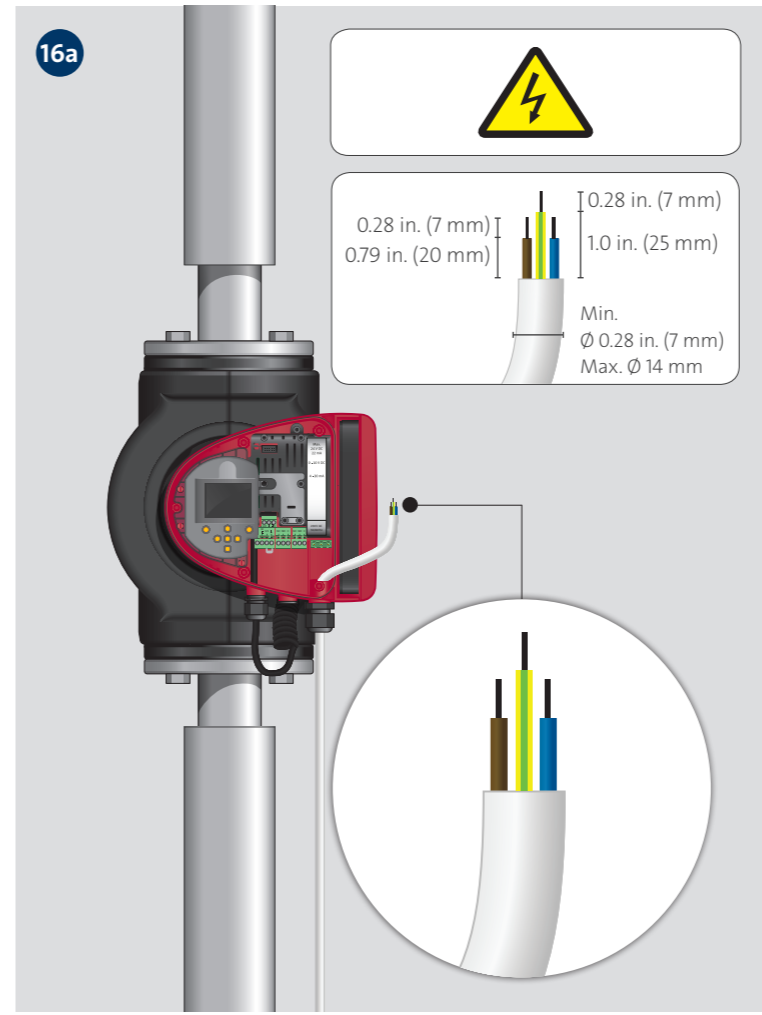
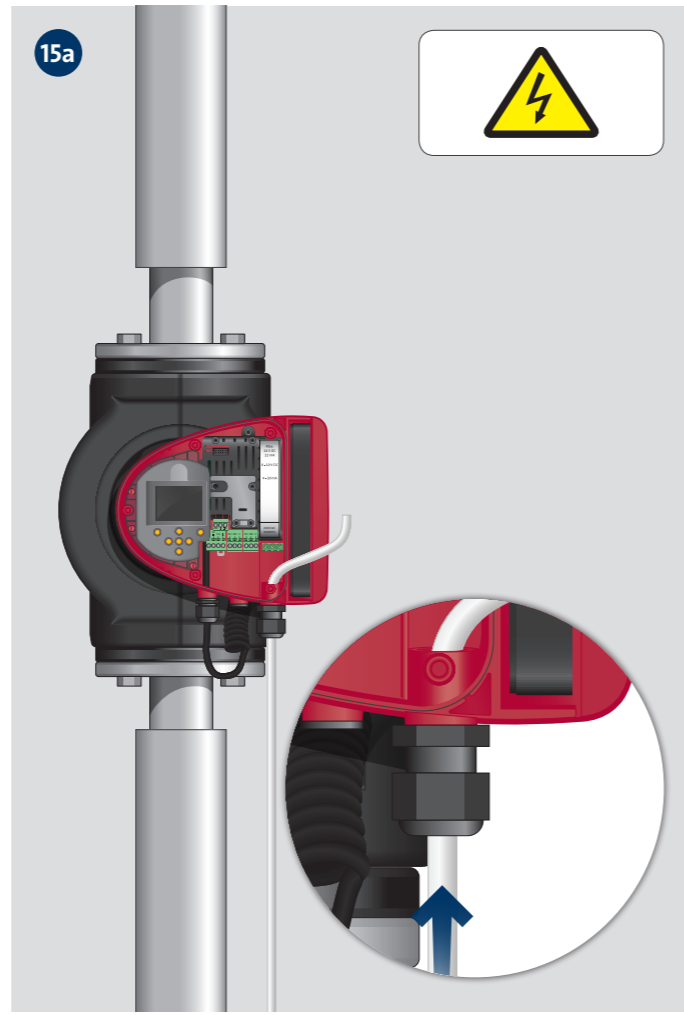
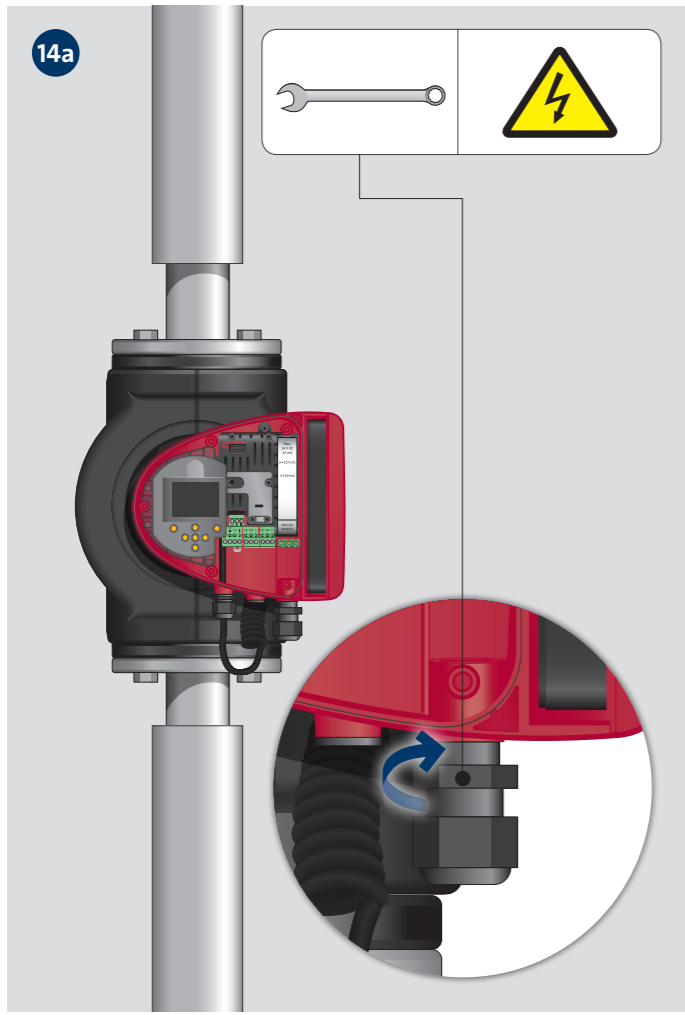
10



11

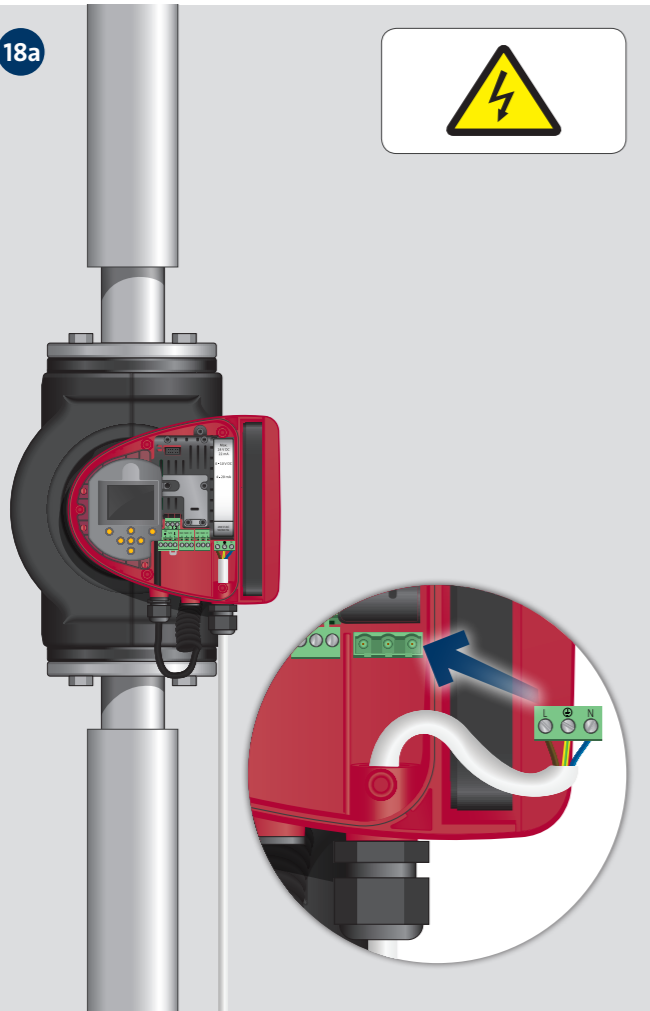




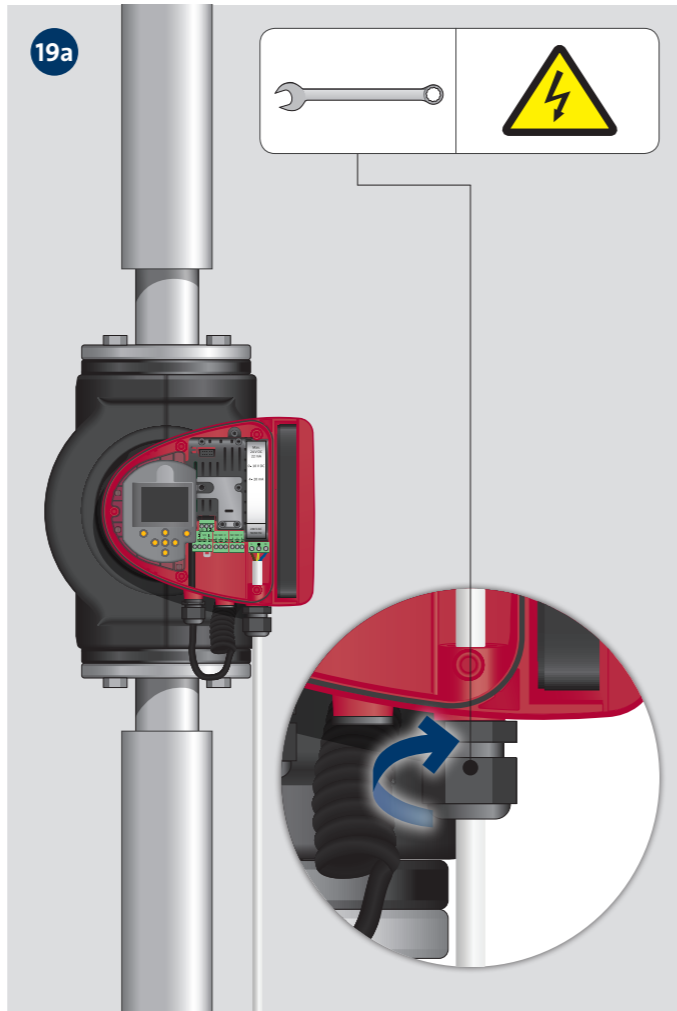
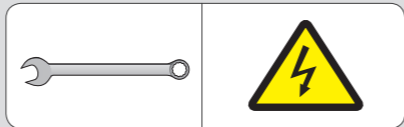




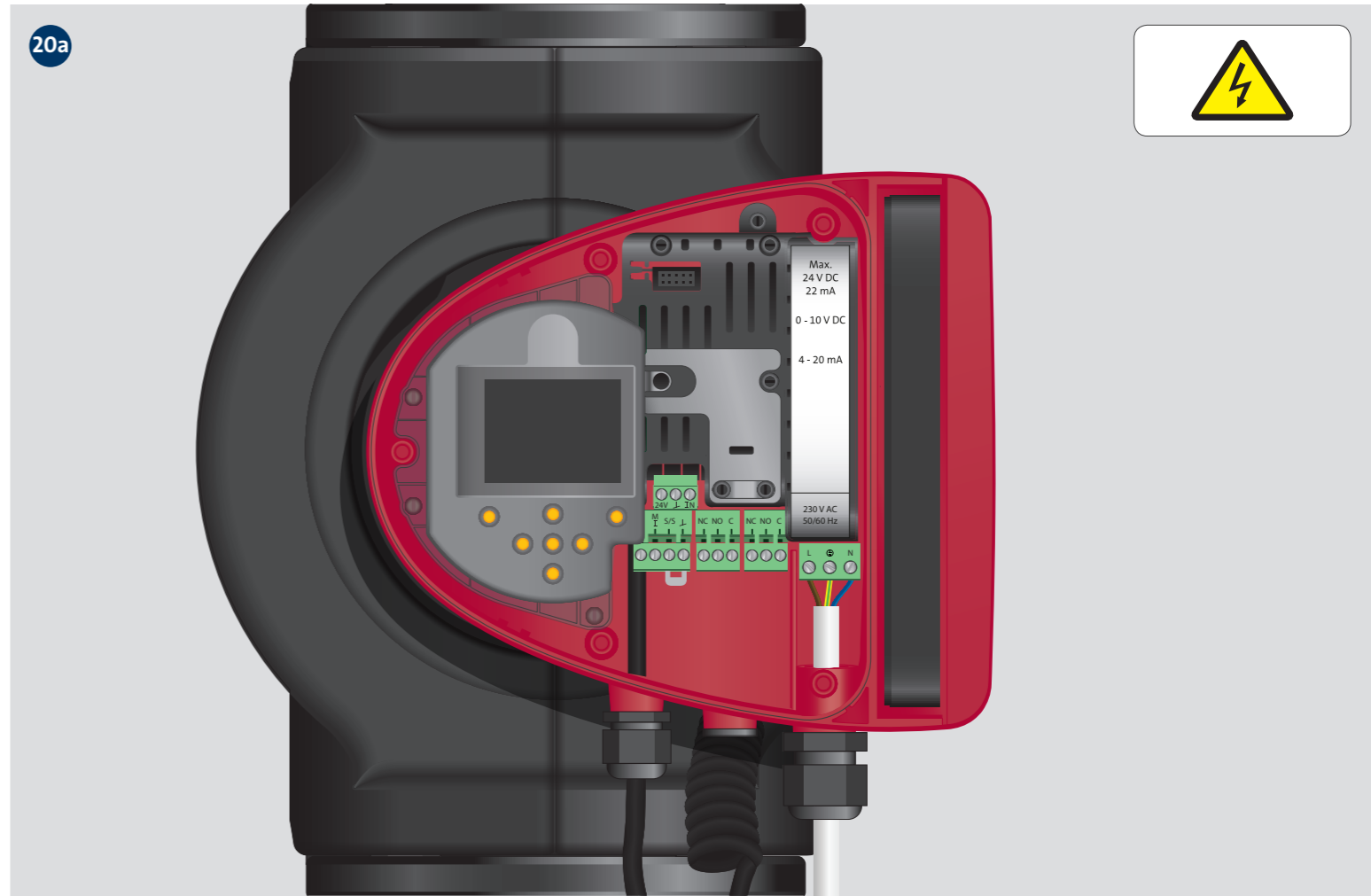
18a



19a

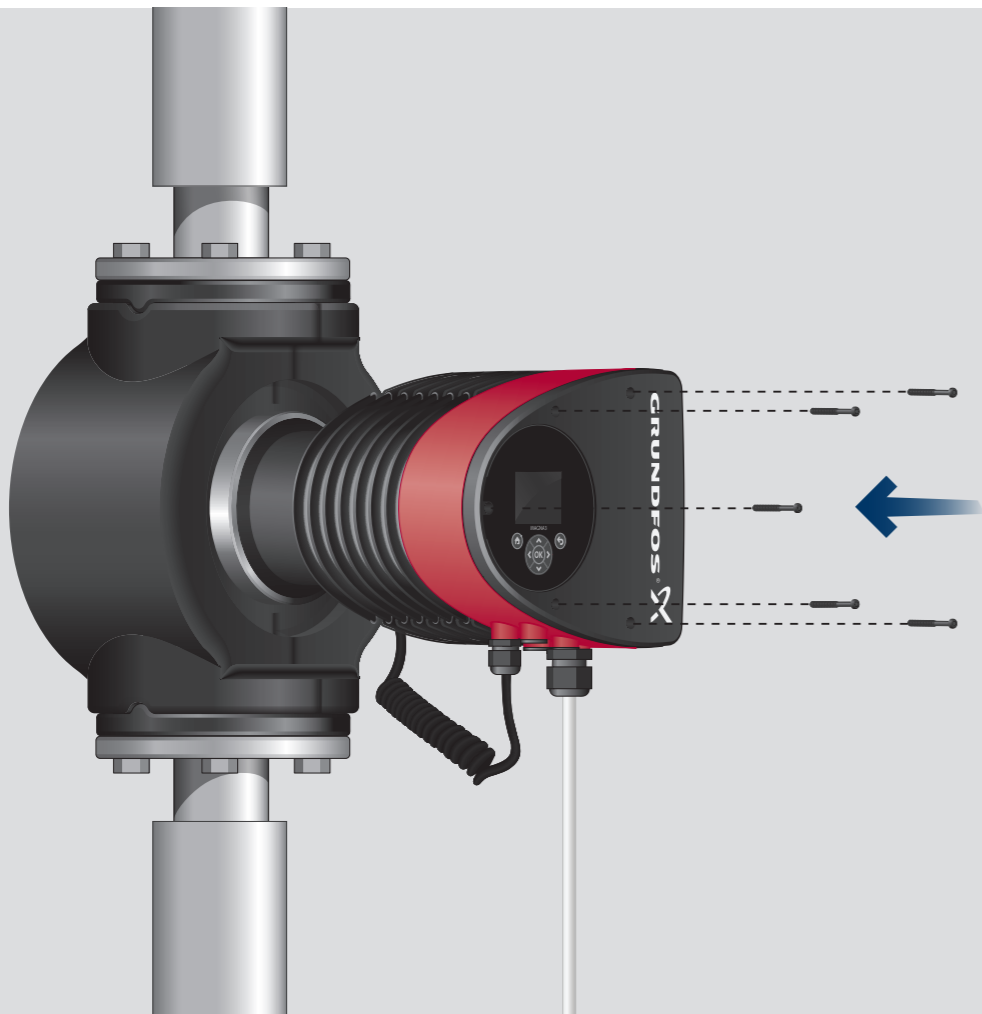


20a





21a

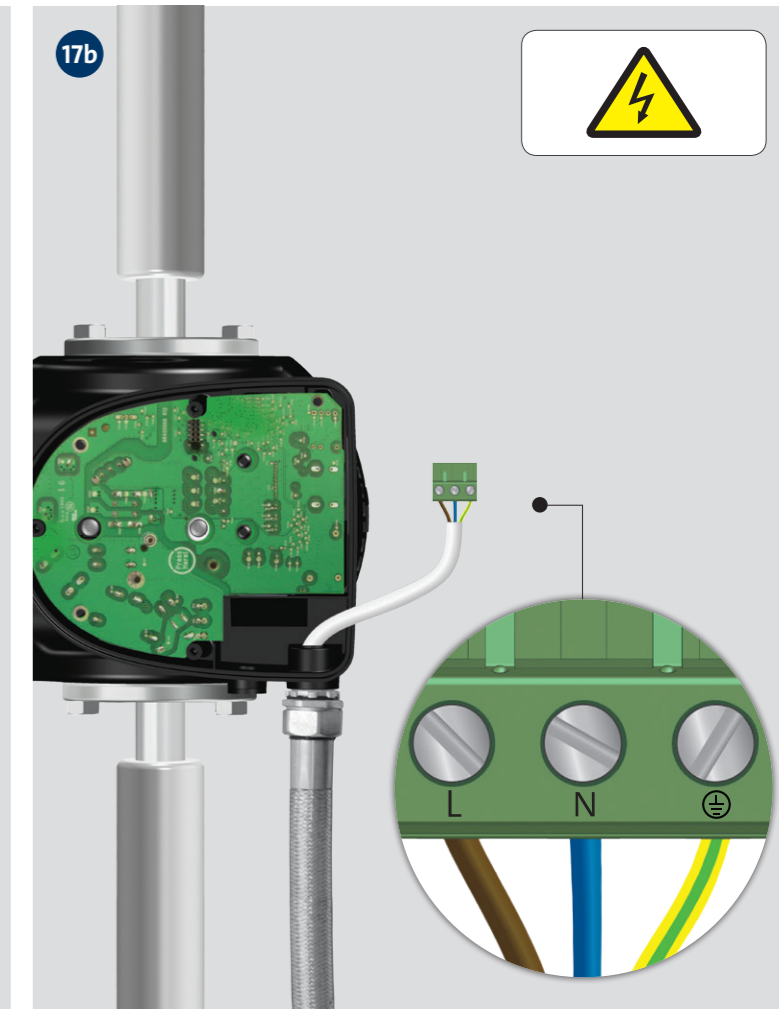
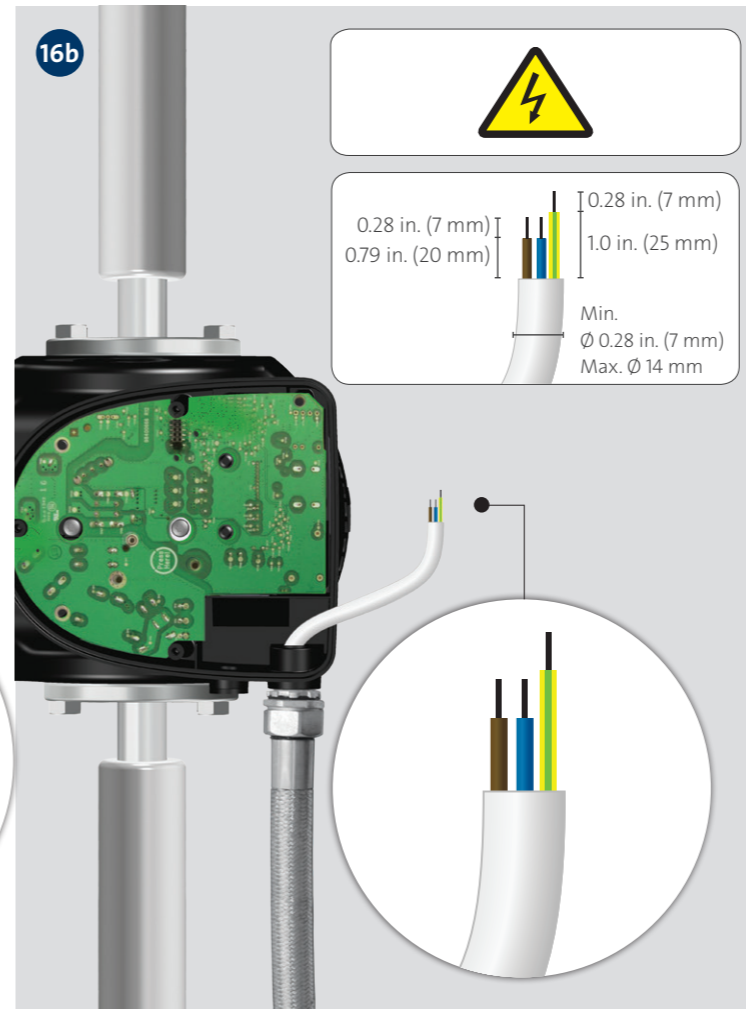
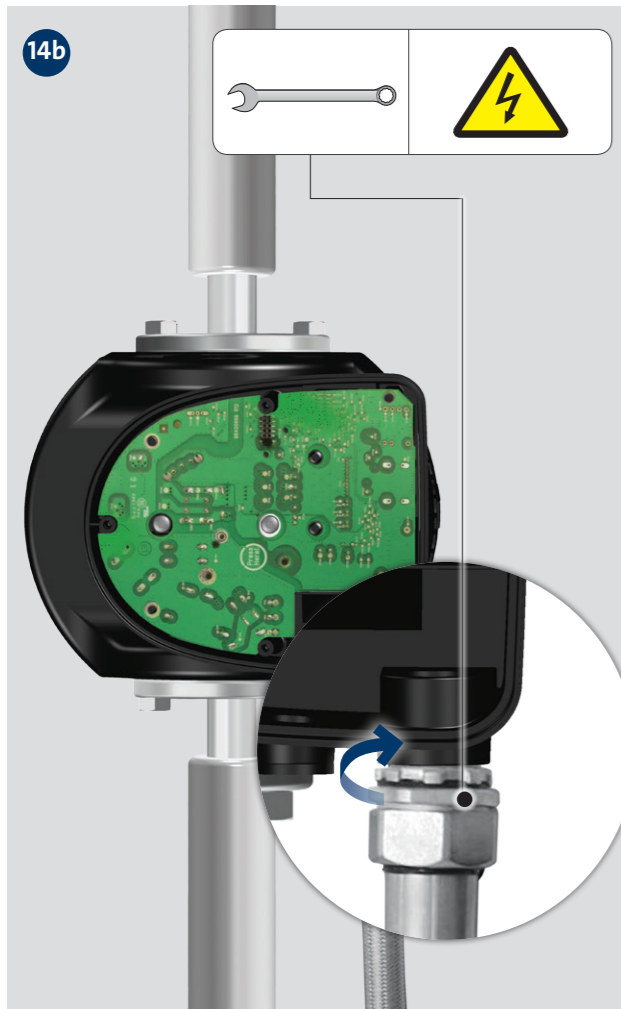
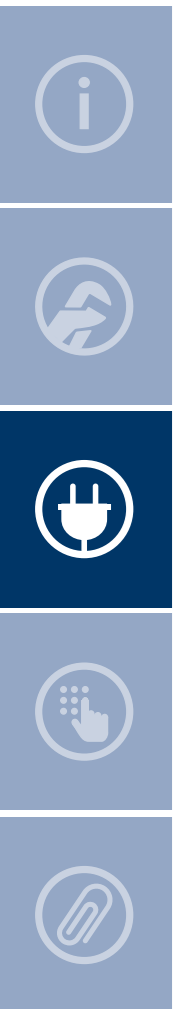


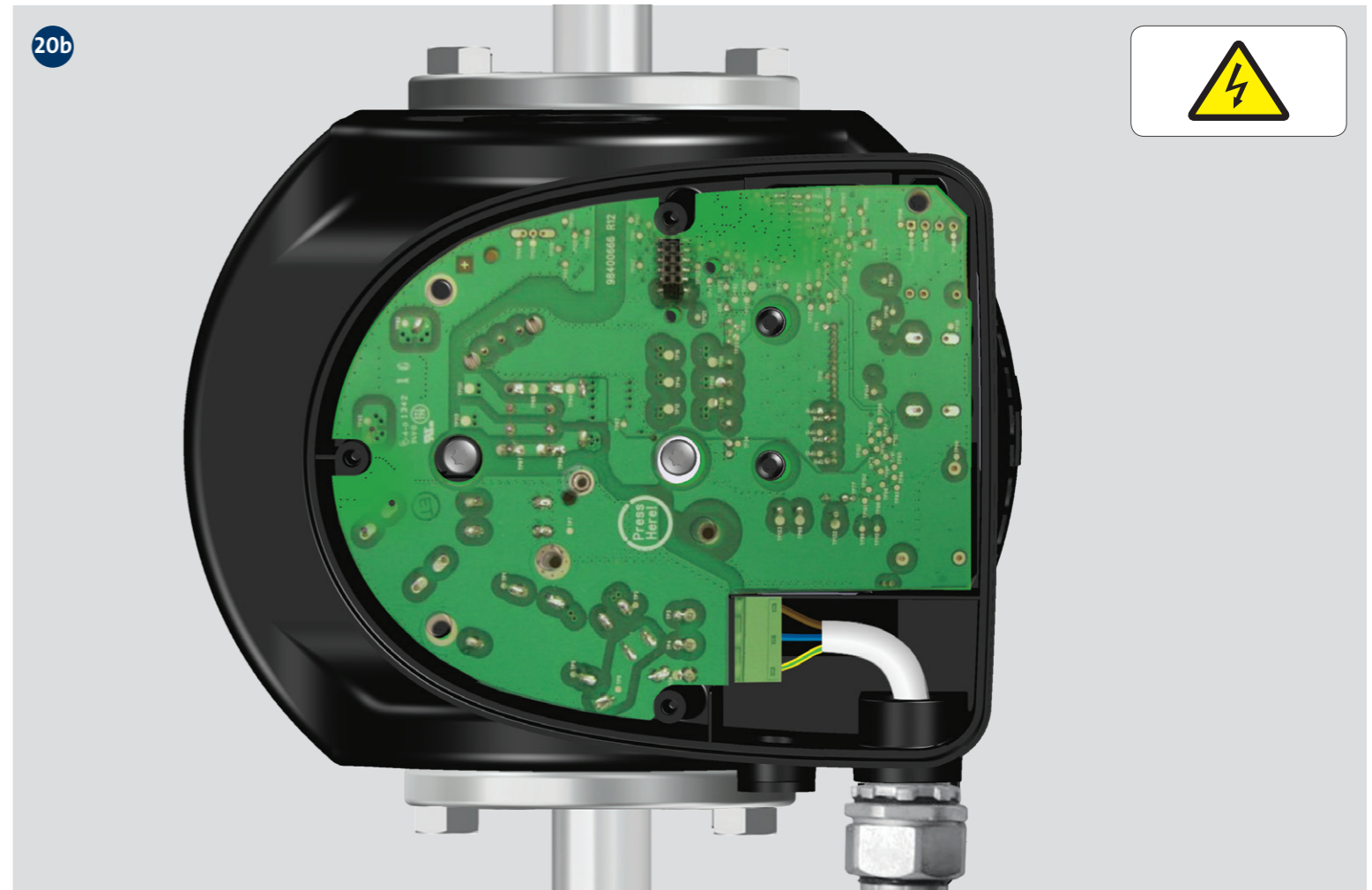
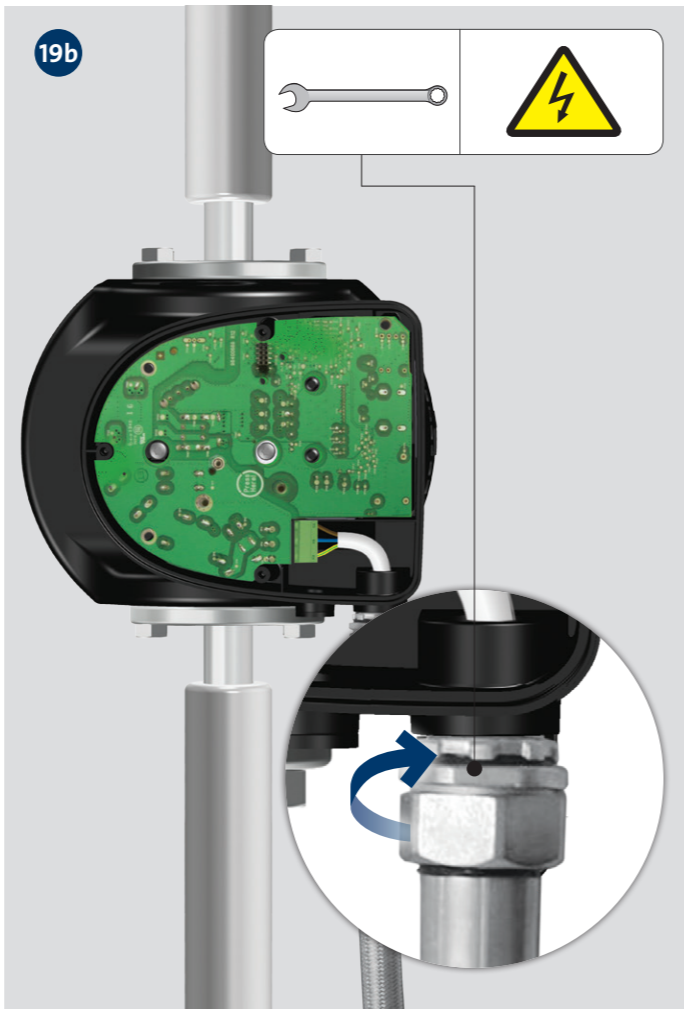
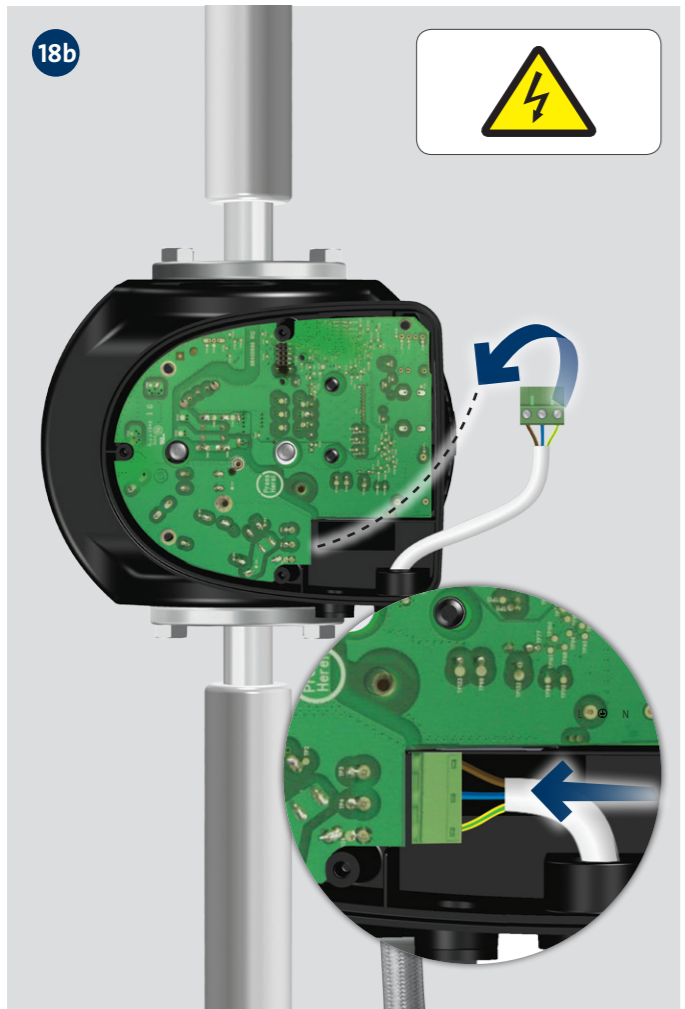
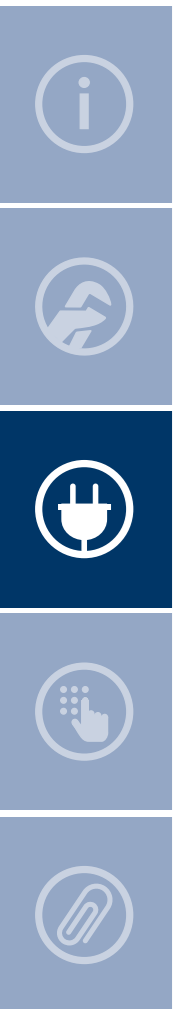
22a





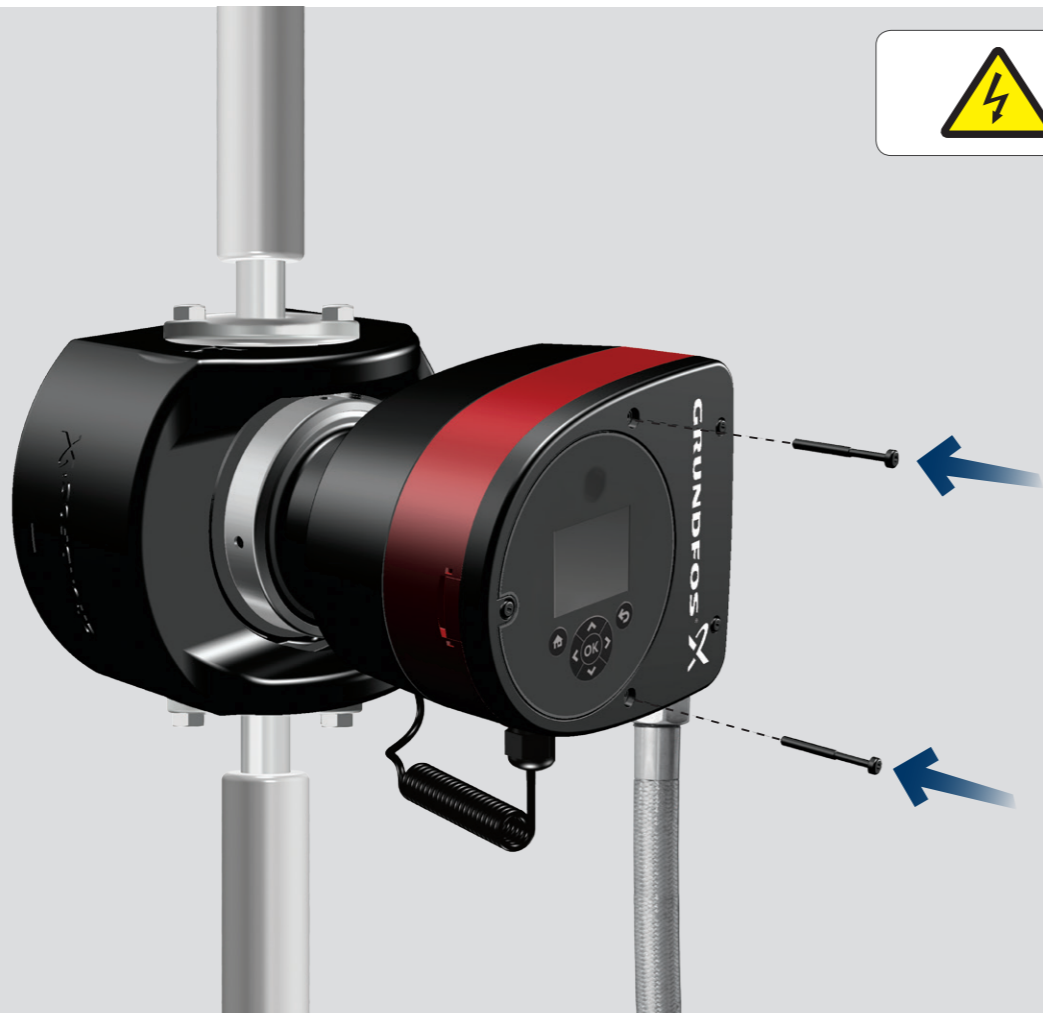








21b



22b





23



24

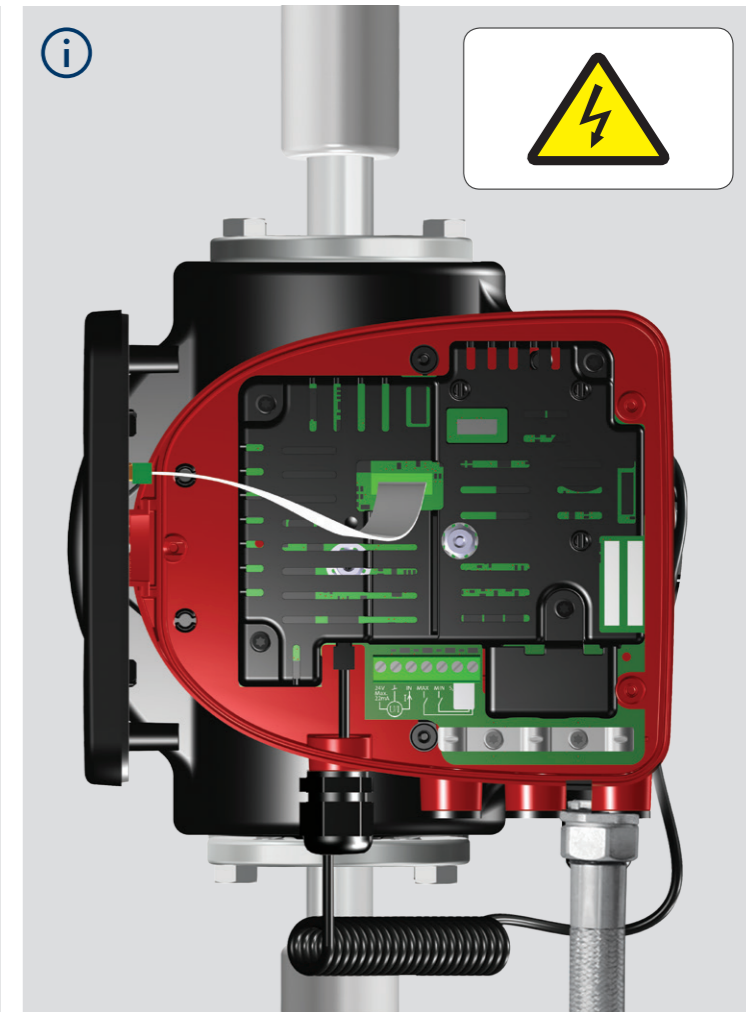
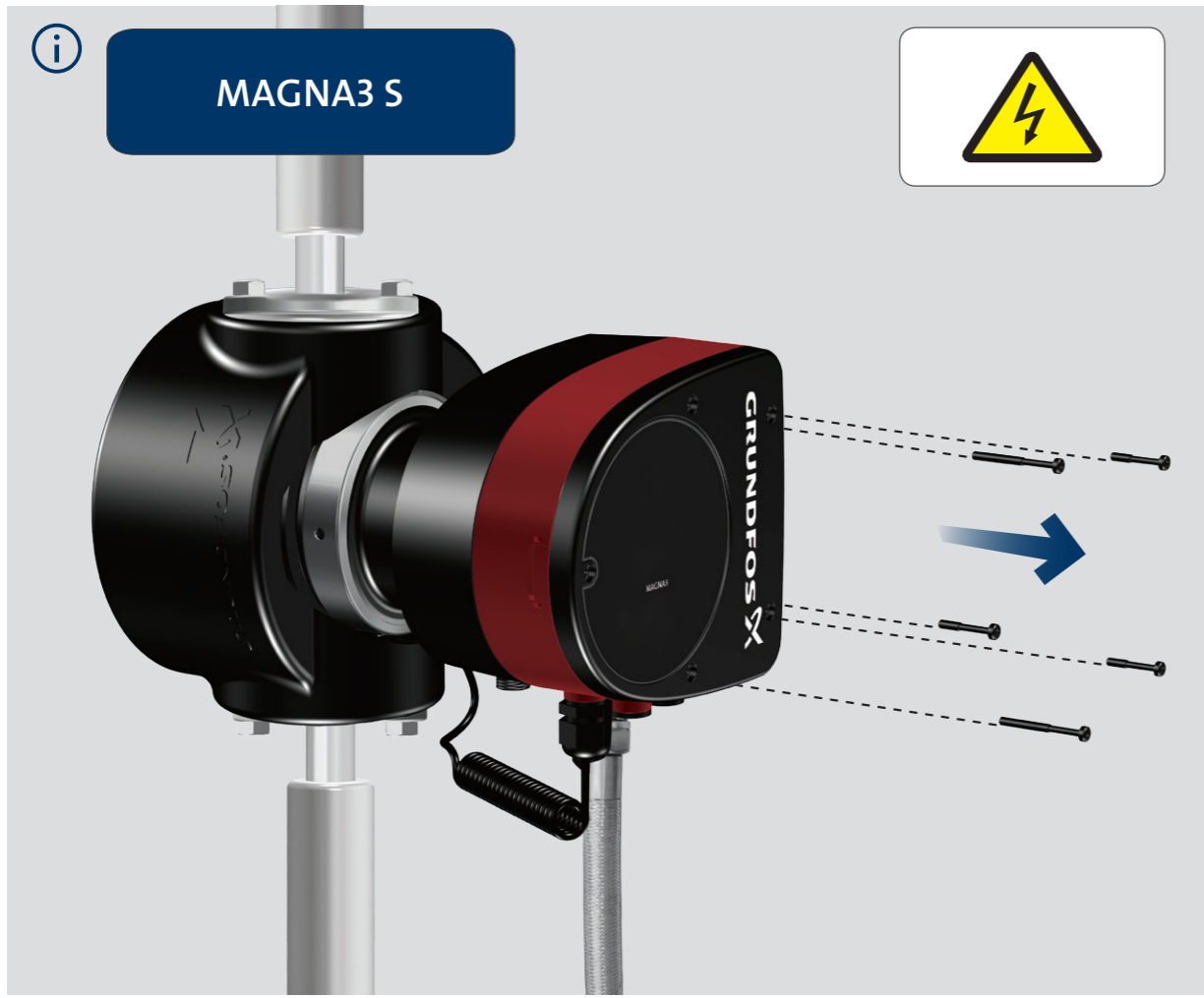


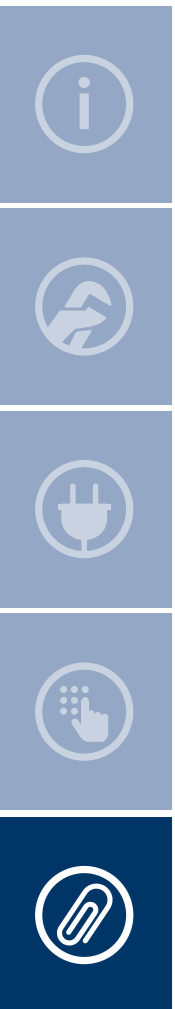
Further product documentation



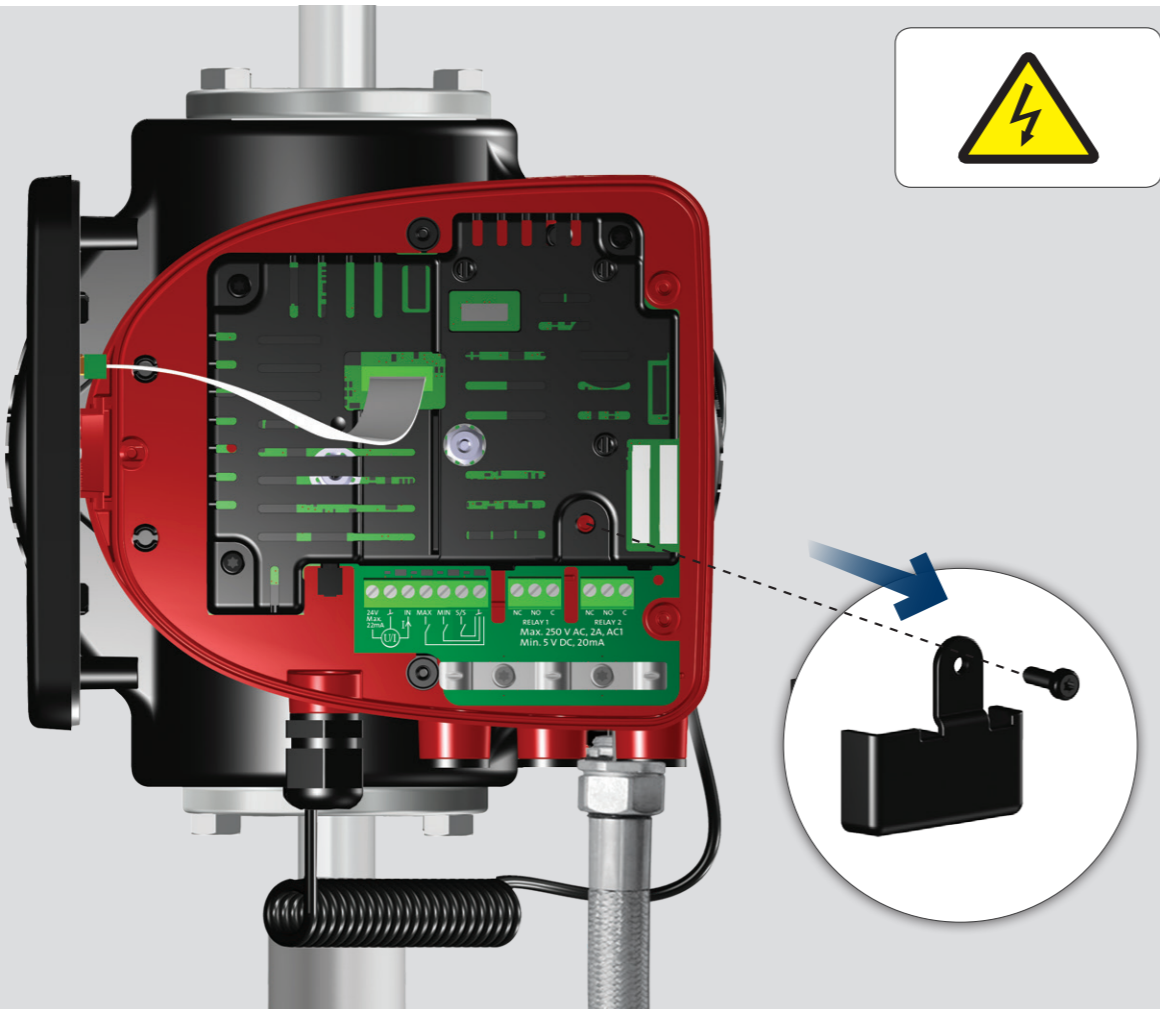
[GRUNDFOS.COM/MANUAL-MAGNA3](http://GRUNDFOS.COM/MANUAL-MAGNA3)



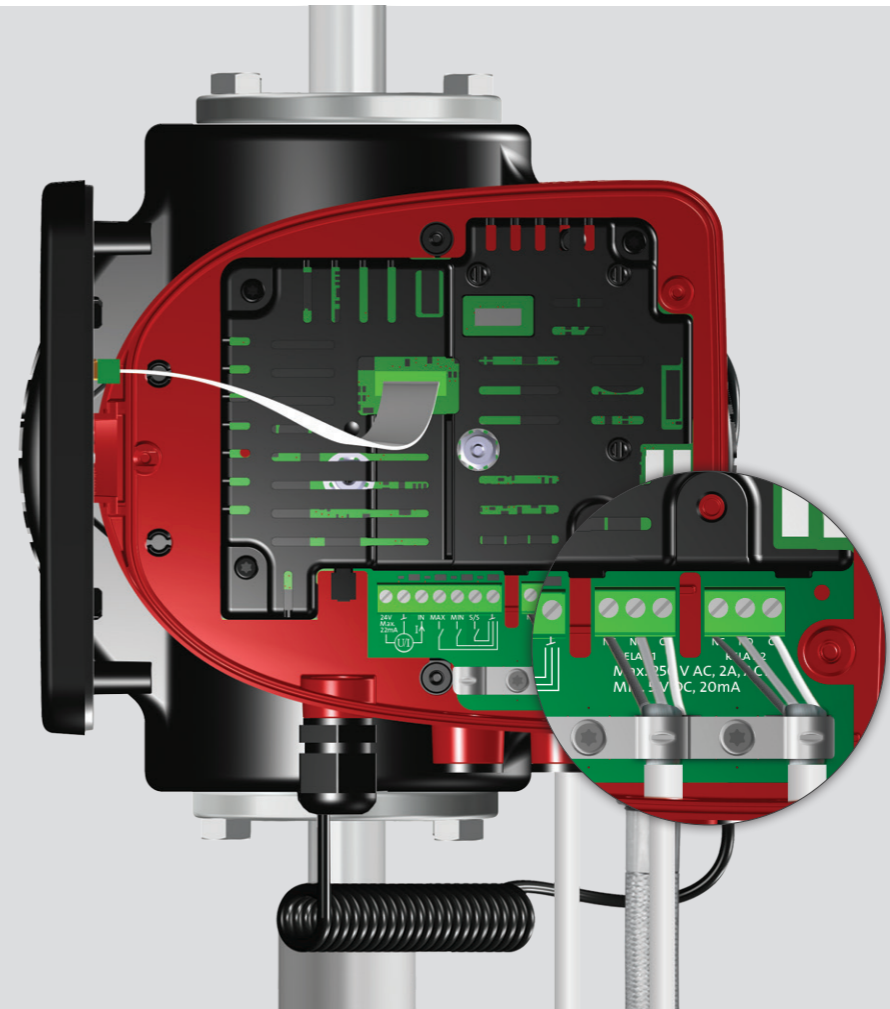




i



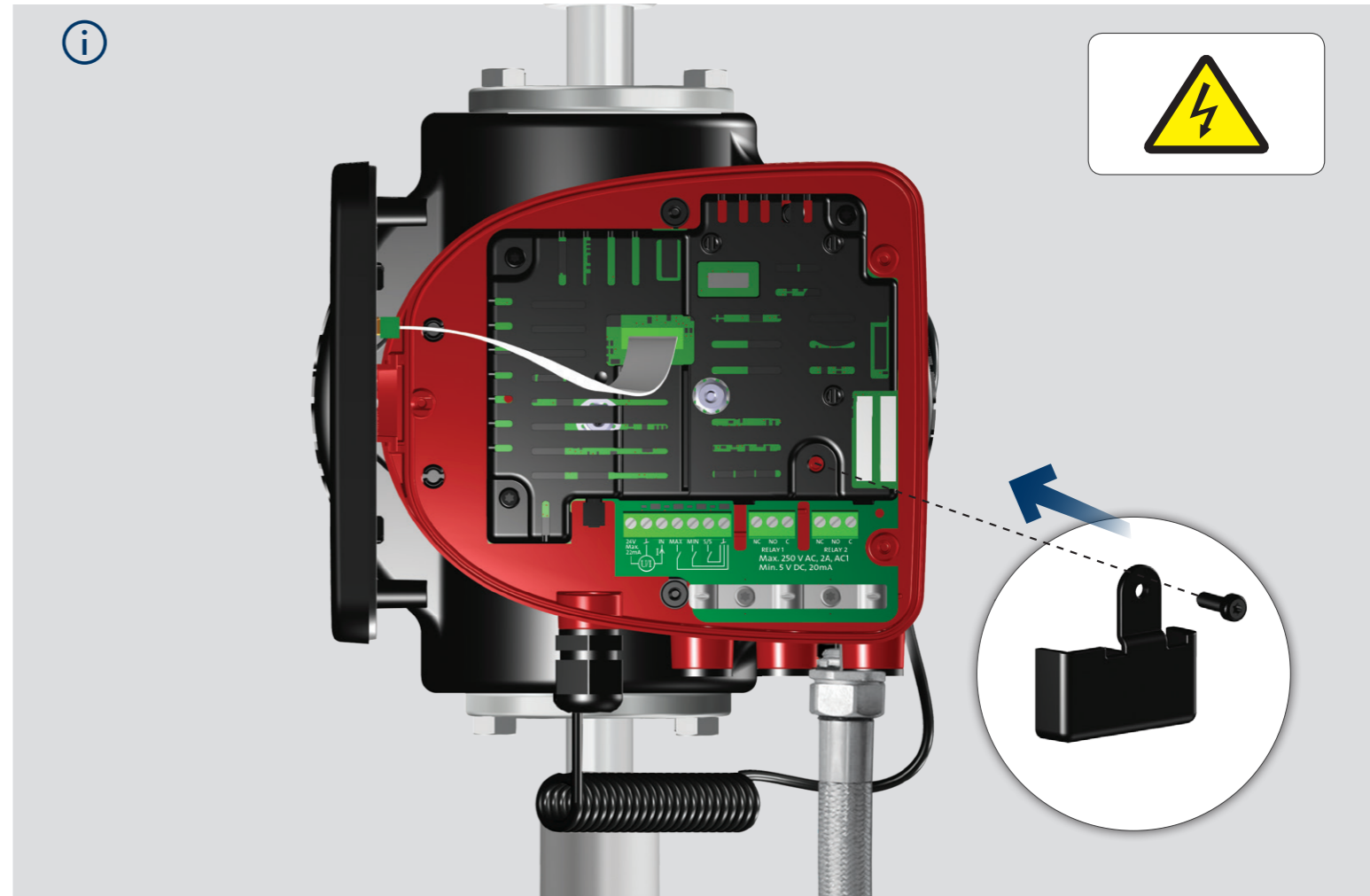
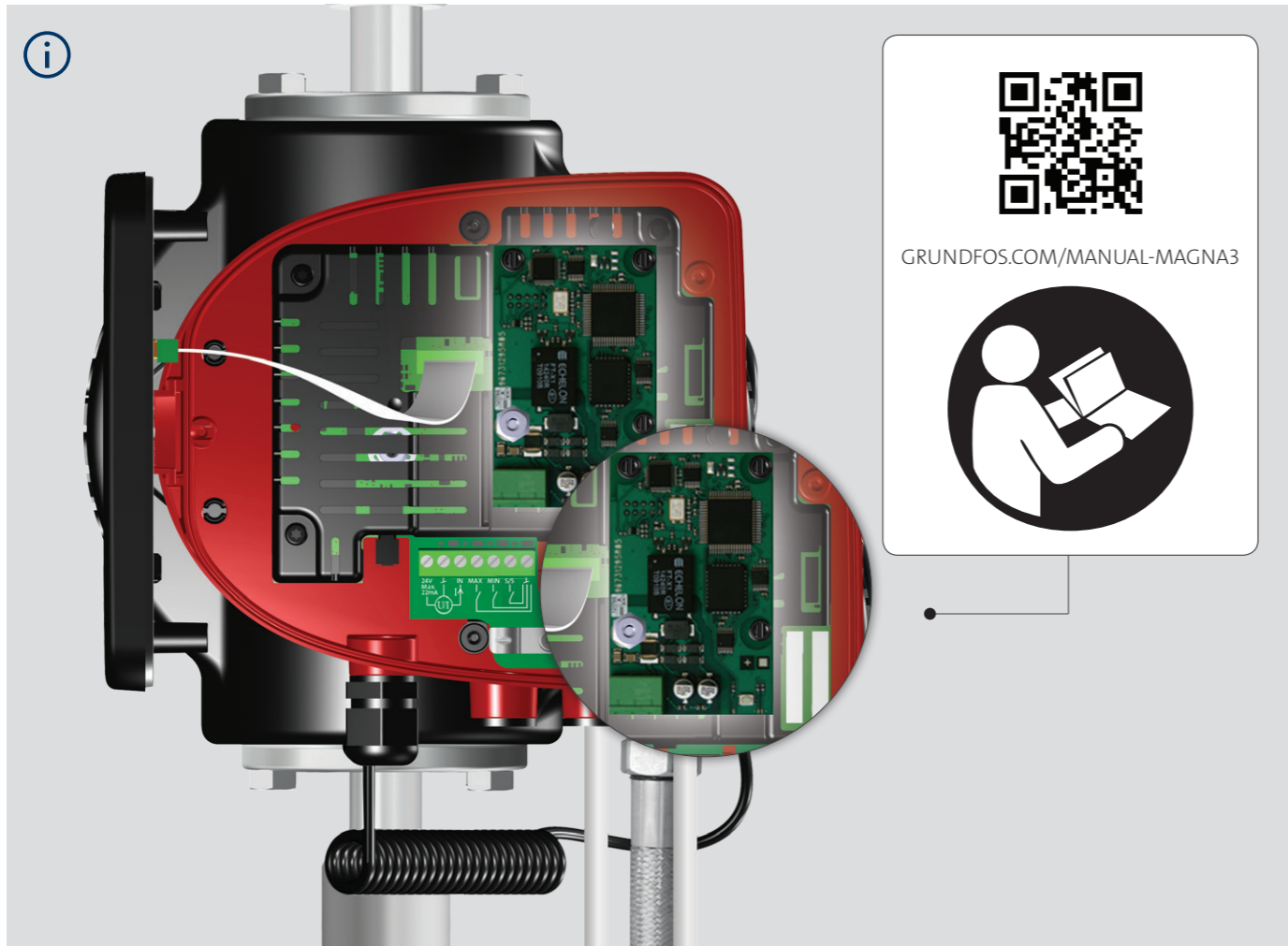
i



[GRUNDFOS.COM/MANUAL-MAGNA3](http://GRUNDFOS.COM/MANUAL-MAGNA3)









**GRUN DFOS Kansas City**  
17100 West 118th Terrace  
Olathe, Kansas 66061  
Phone: (913) 227-3400  
Fax: (913) 227-3500

**GRUN DFOS Canada**  
2941 Brighton Road  
Oakville, Ontario L6H 6C9 Canada  
Phone: +1-905 829 9533  
Telefax: +1-905 829 9512

**GRUN DFOS Mexico**  
Boulevard TLC No. 15  
Parque Industrial Stiva Aeropuerto  
C.P. 66600 Apodaca, N.L. Mexico  
Phone: 011-52-81-8144 4000  
Fax: 011-52-81-8144 4010

Addresses revised 13.08.2013

Installation date: \_\_\_\_\_

Installer:

---

---

---

---

L-MAG-TL-07

**98374504** 0314

ECM: 1130019

be think innovate

**GRUNDFOS** 

The name Grundfos, the Grundfos logo, and the payoff be think innovate are registered trademarks owned by Grundfos Holding A/S or Grundfos A/S, Denmark. All rights reserved worldwide.