

MAGNA1 ML/S



Intertek

3191277

Conforms to ANSI/UL Std. 778
Certified to CAN/CSA Standard C22.2 No. 108



GRUNDFOS.COM/MANUAL-MAGNA1

be
think
innovate

GRUNDFOS 




MAGNA1 ML
DN 40/50/65/80/100 F



MAGNA1 S
DN 32





Max. 95 % RH
Enclosure Type 2 



Min./Max.
+14 °F – 230 °F
(-10 °C – +110 °C)



PN12: 175psi (12 Bar / 1.2 MPa)

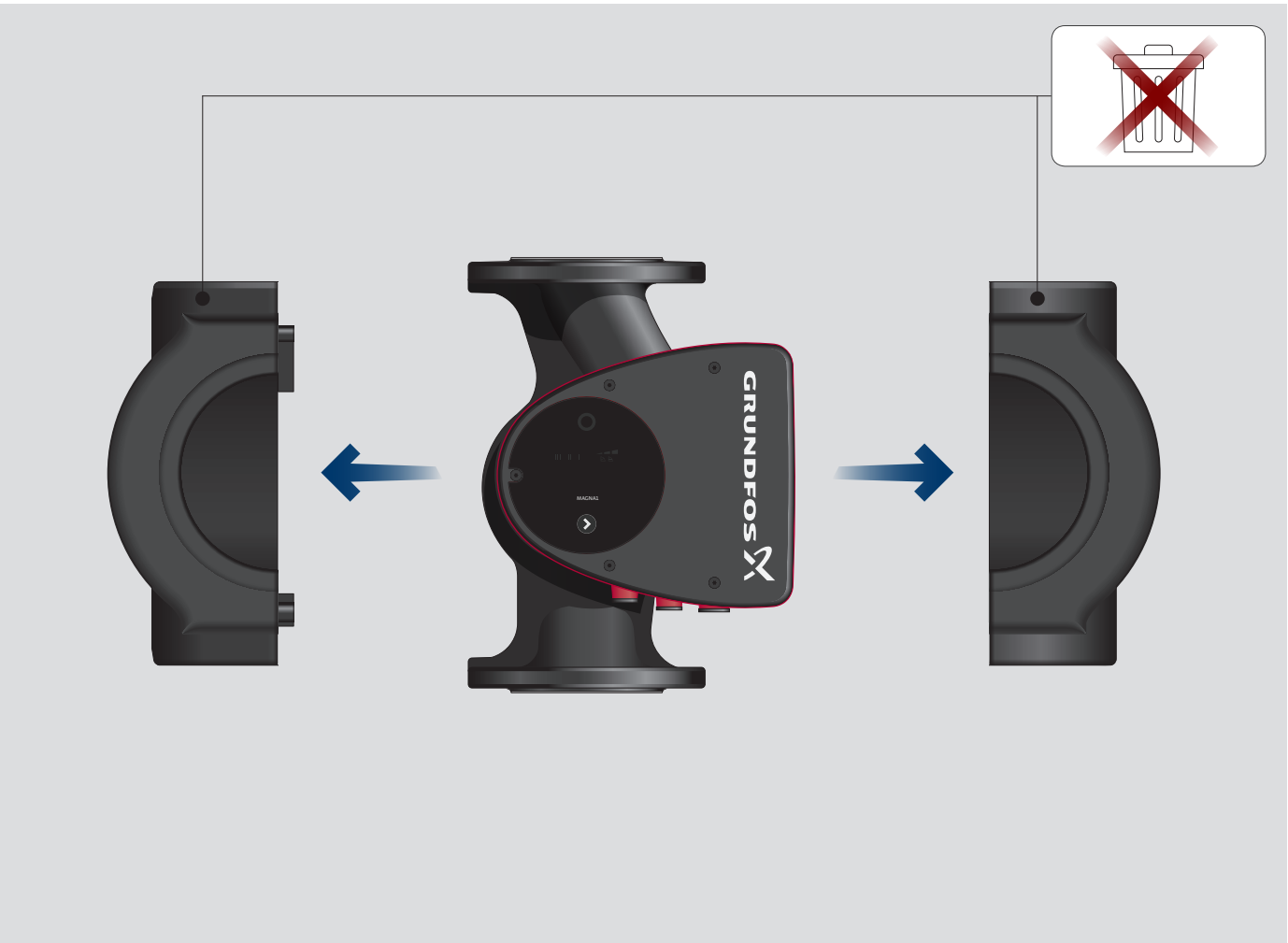


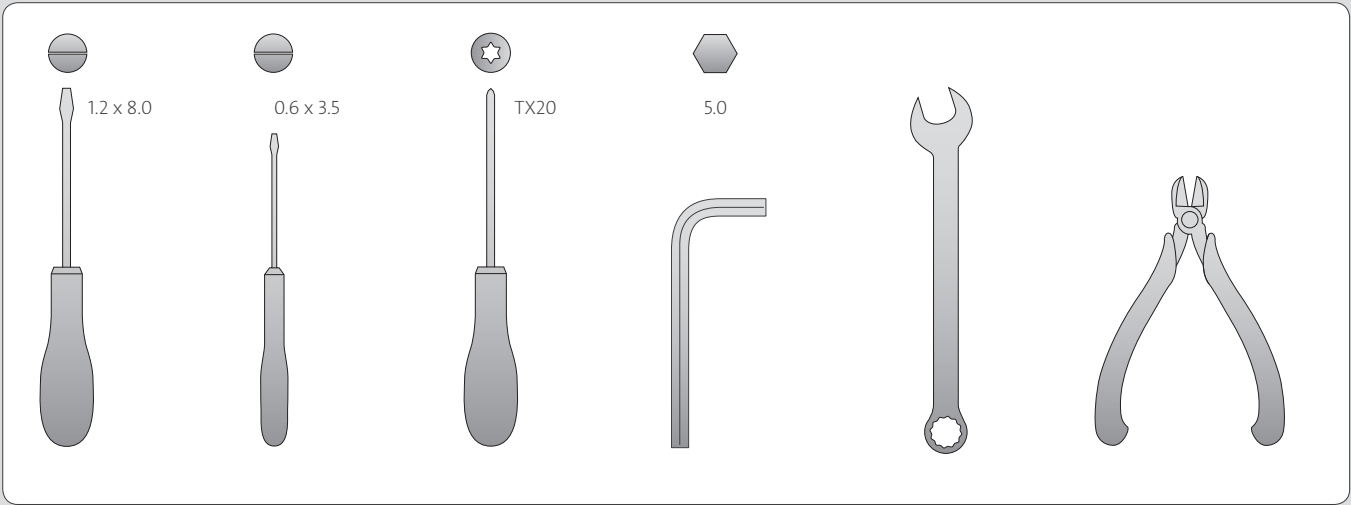
Min./Max.
+32 °F – +104 °F
(0 °C – +40 °C)

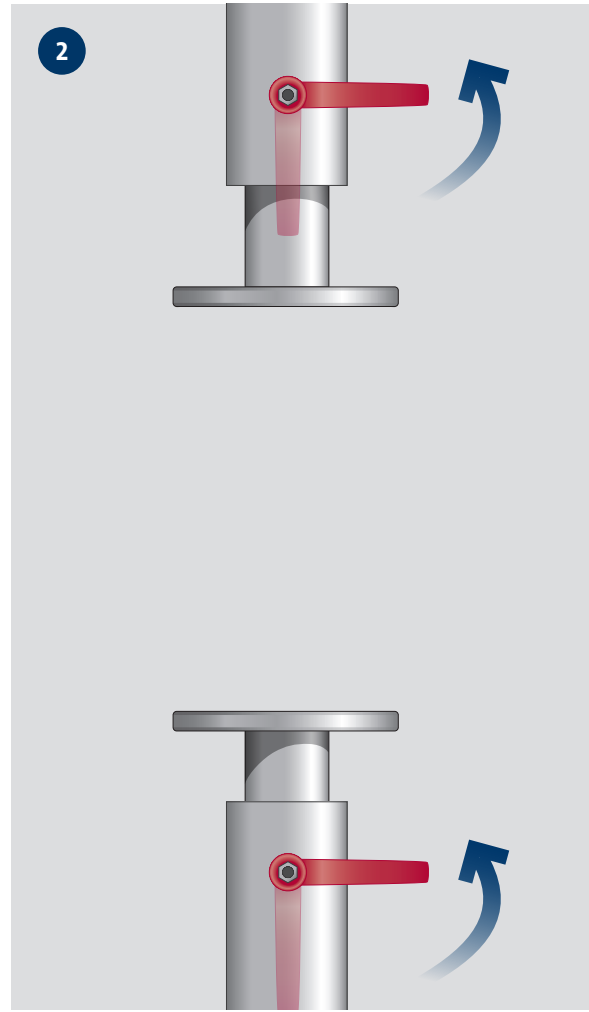


< 39 dB(A) S
< 55 dB(A) ML





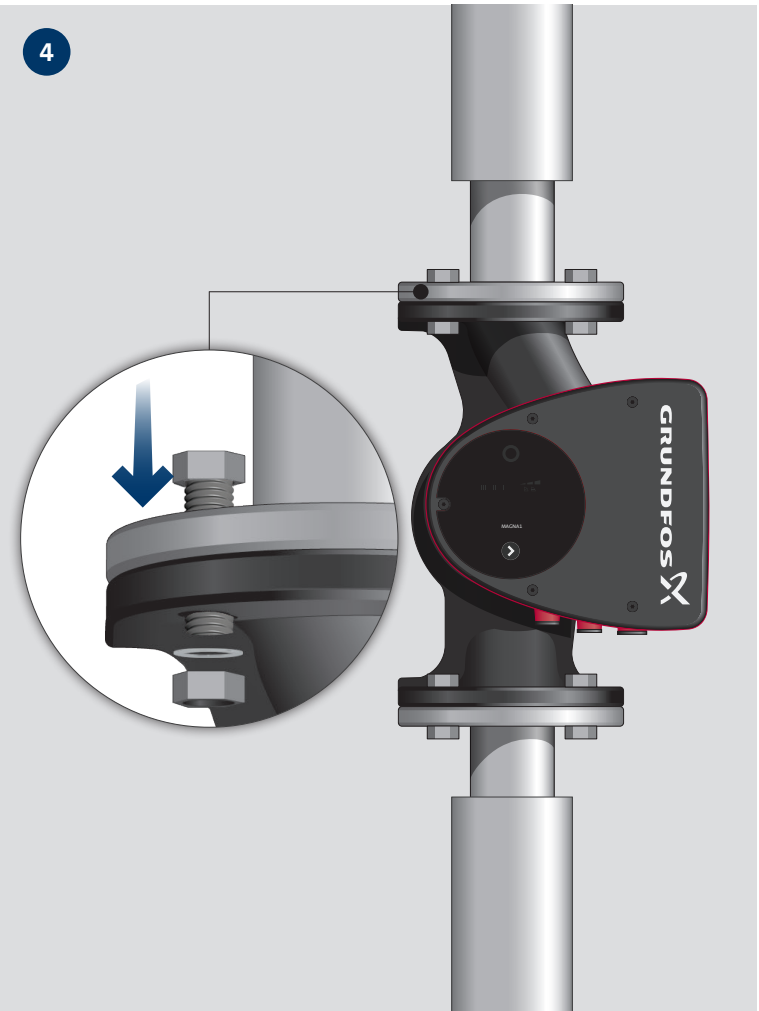


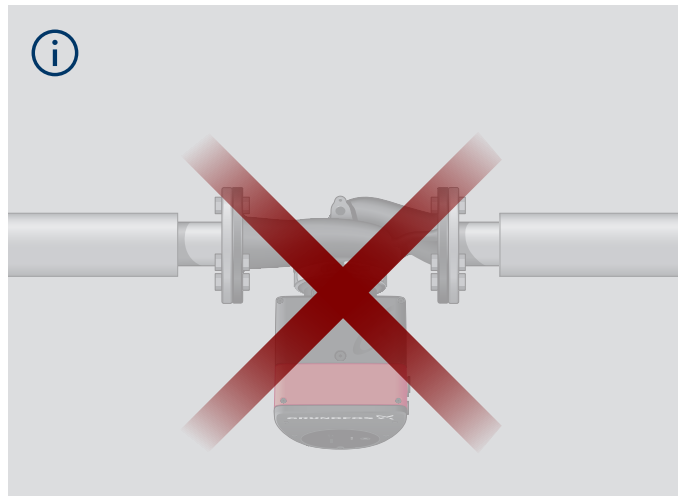
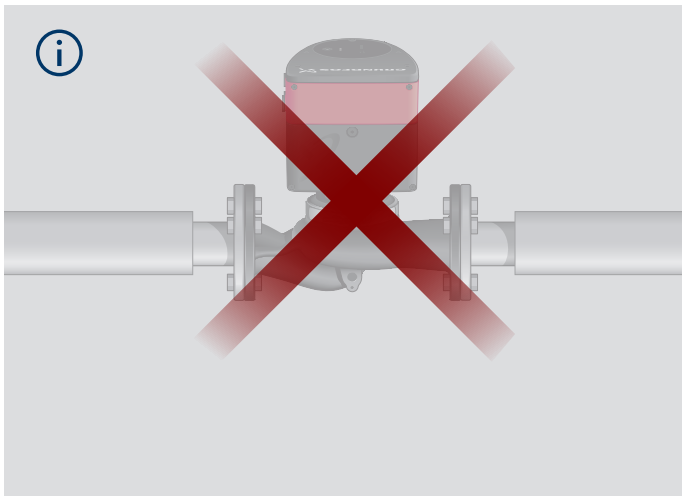
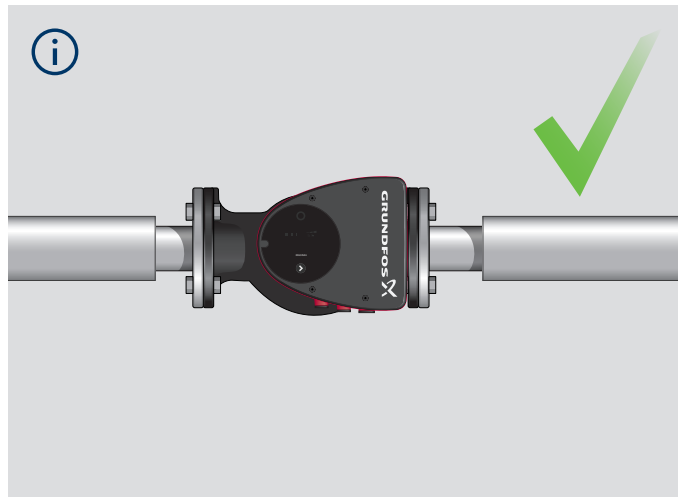


3



4



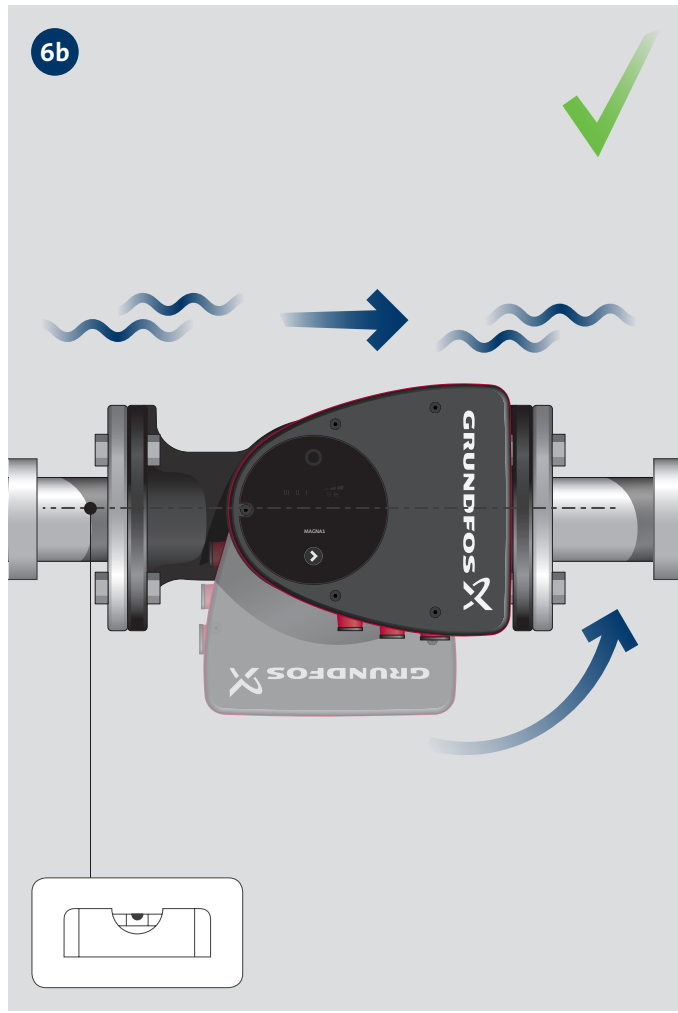
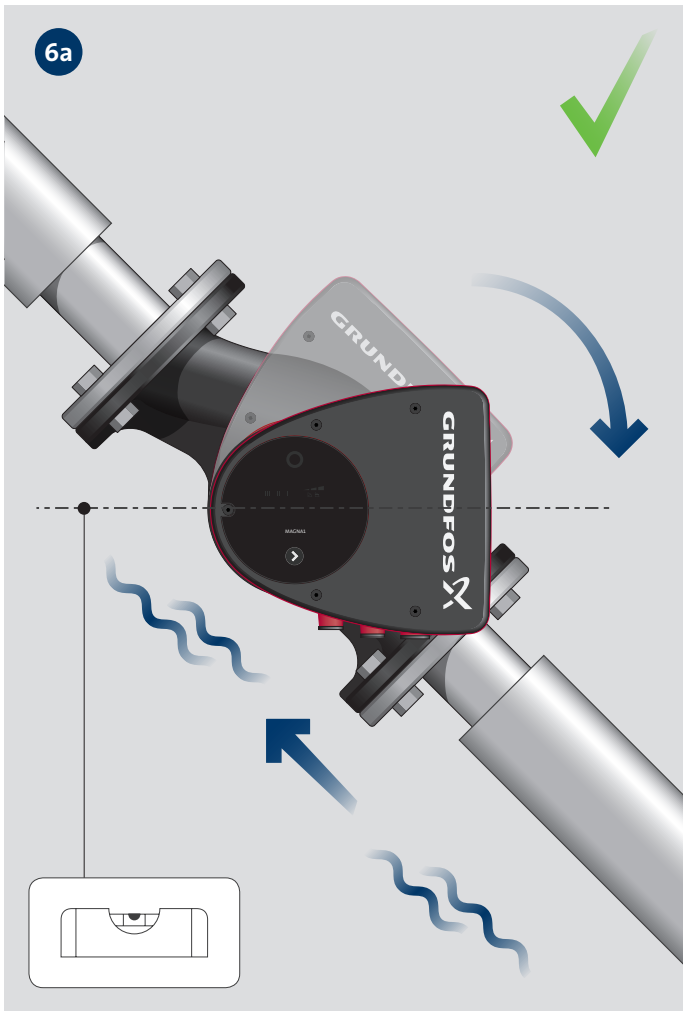


5

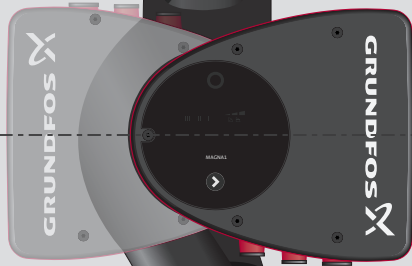


A box containing tools and safety icons. On the left is an Allen key. To its right is a hex nut with the number '5.0' below it. On the far right are two yellow triangular warning icons: one showing a hand being struck by a falling object, and another showing a hand being struck by a rotating part.





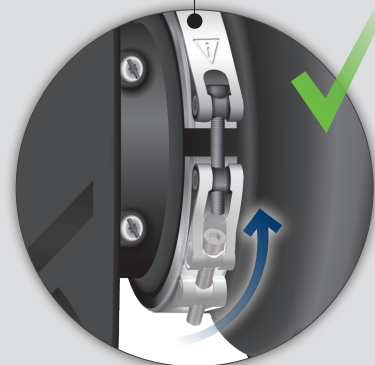
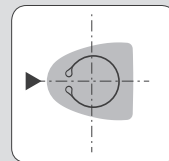
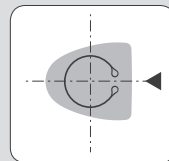
6c



7

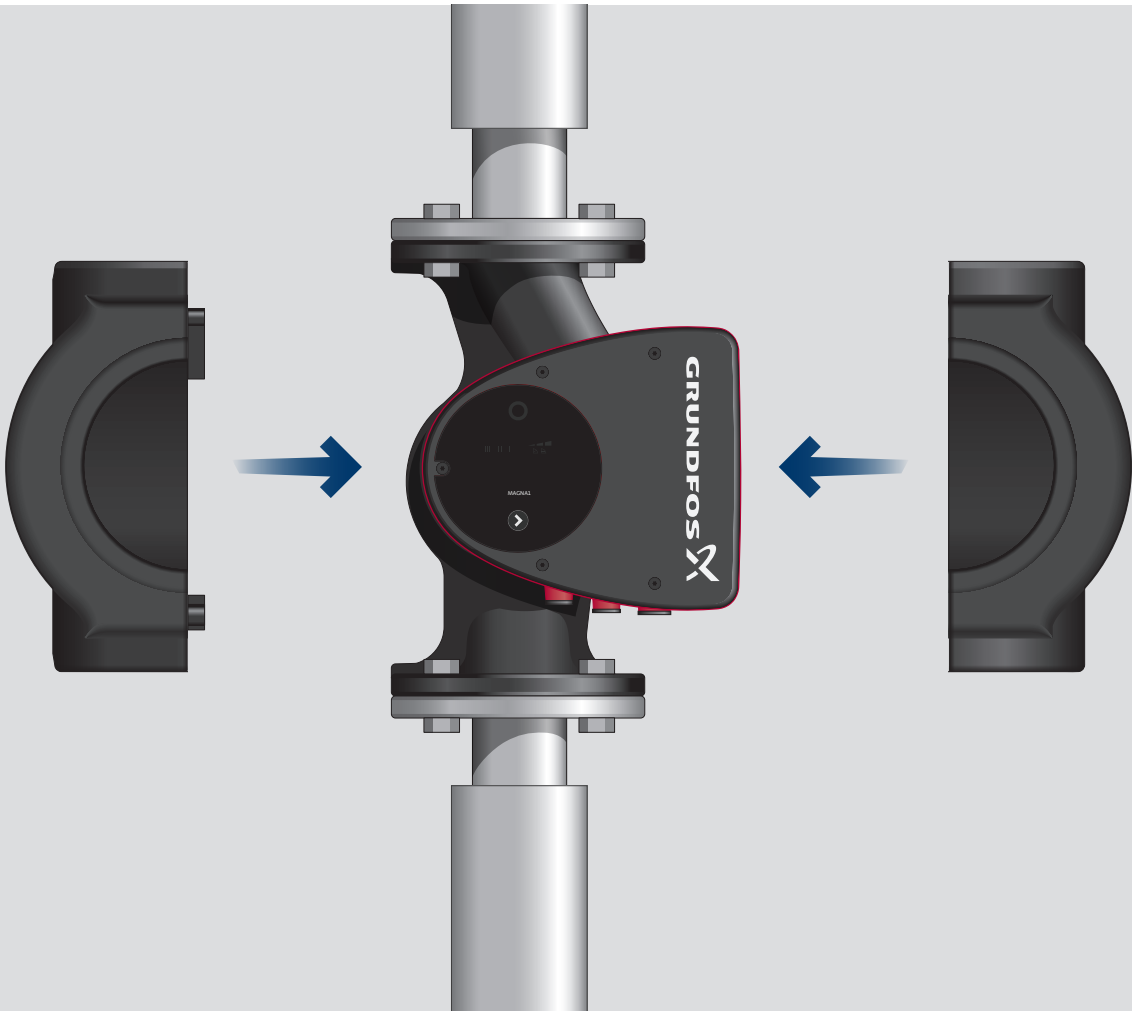


8



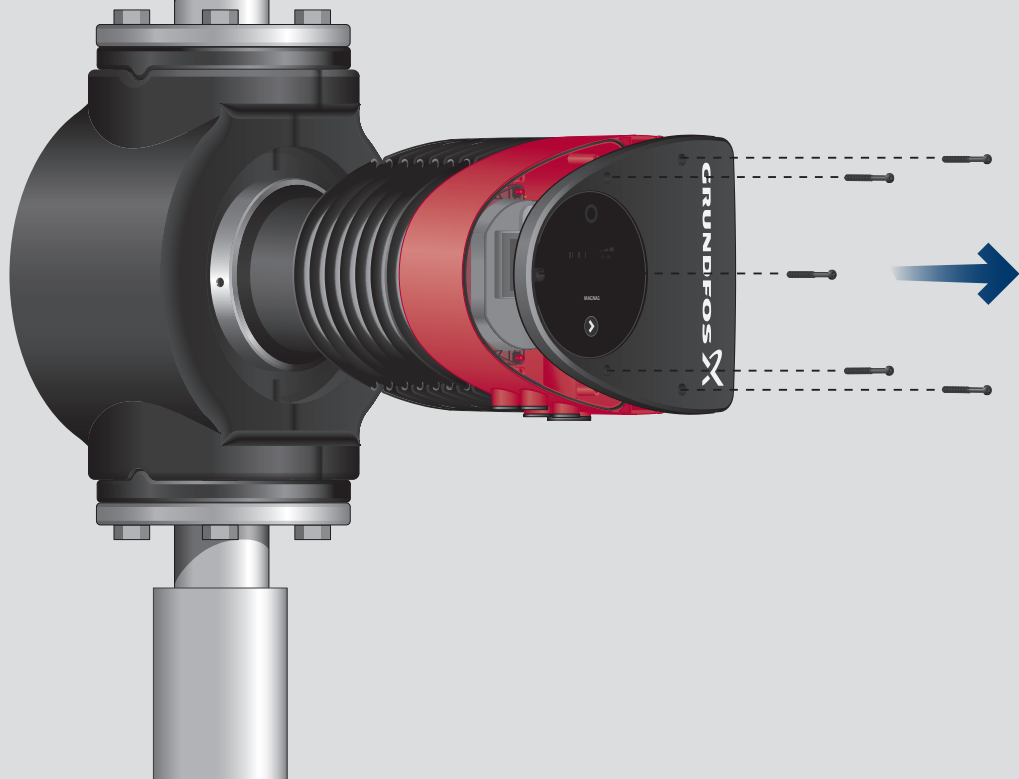
10



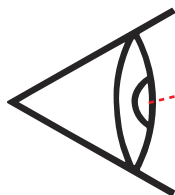
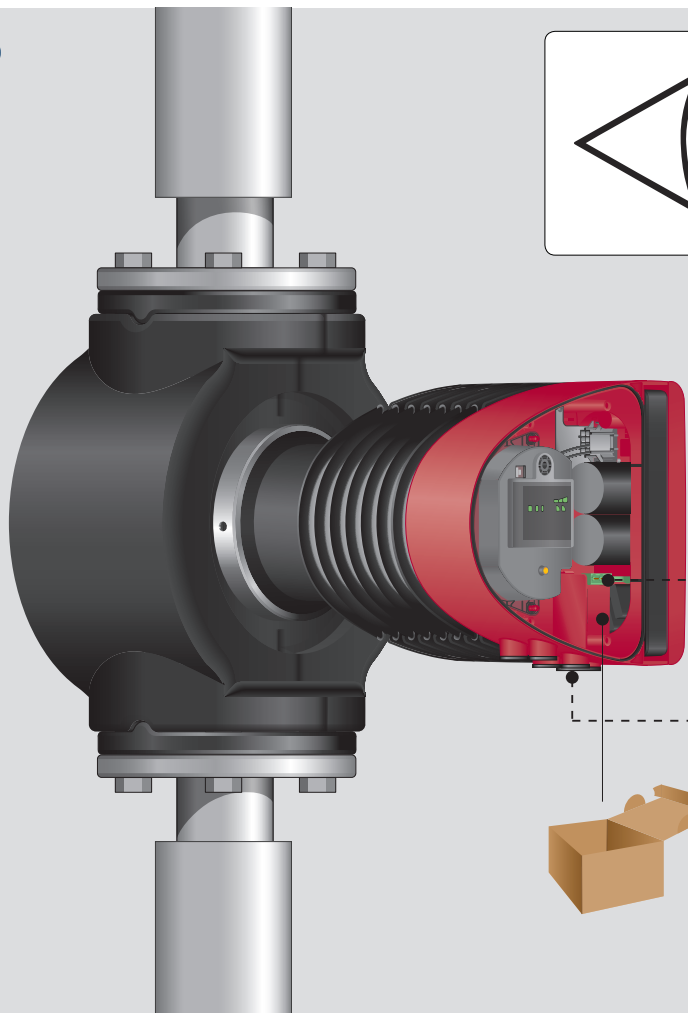


12a

MAGNA1 ML



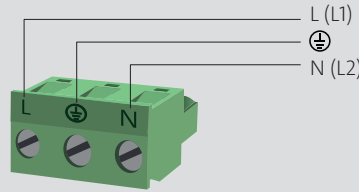
13a

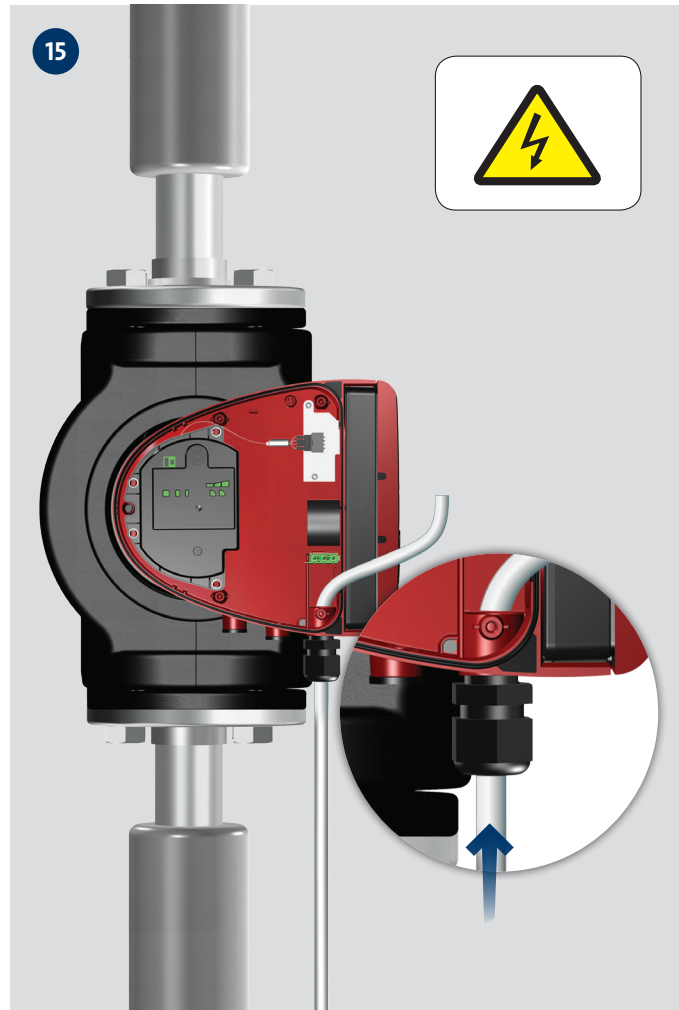
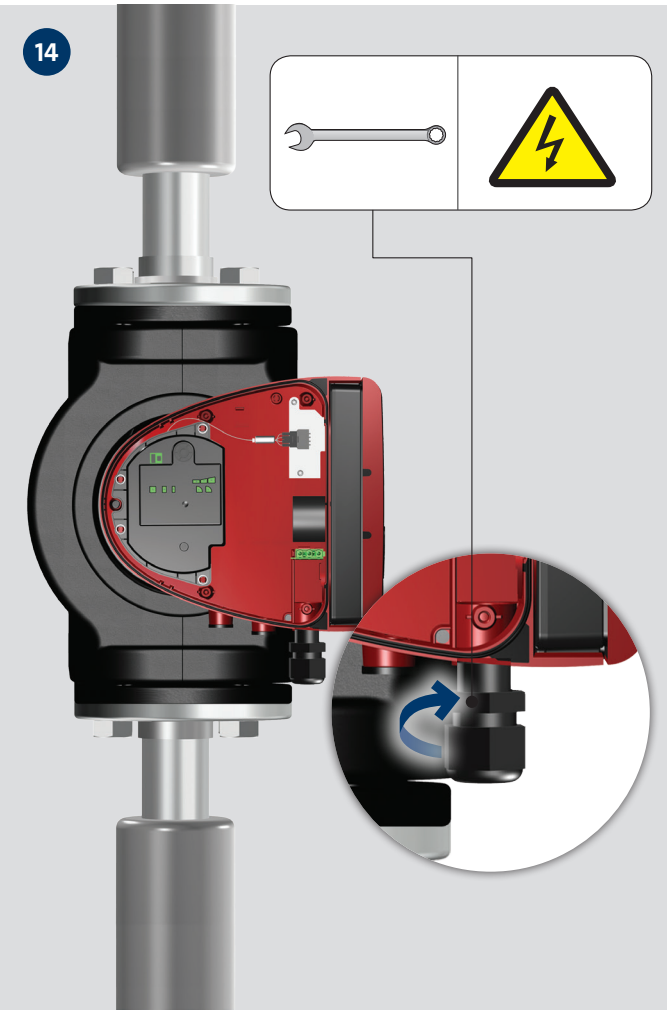


XXXXXXXXXXXXXXXXXXXXXXXXXXXX				XXXXXXXXXXXXXXXXXXXXXXXXXXXX			
P/N: XXXXXXXX	IP: XXXX	TF: XXXX	I ₂ [A]	P ₁ [W]	MPa		
S/N: XXXXXXXX	EEI ≤ X.XX Part X		Min. X.XX	XXXX			
PC: XXXX	Made in Germany		Max. X.XX	XXXX	X.X		
Model: X							



See nameplate for correct voltage.
Revisar el voltaje correcto en la placa de identificación.
Voir la plaque signalétique pour le correcte voltage.





16

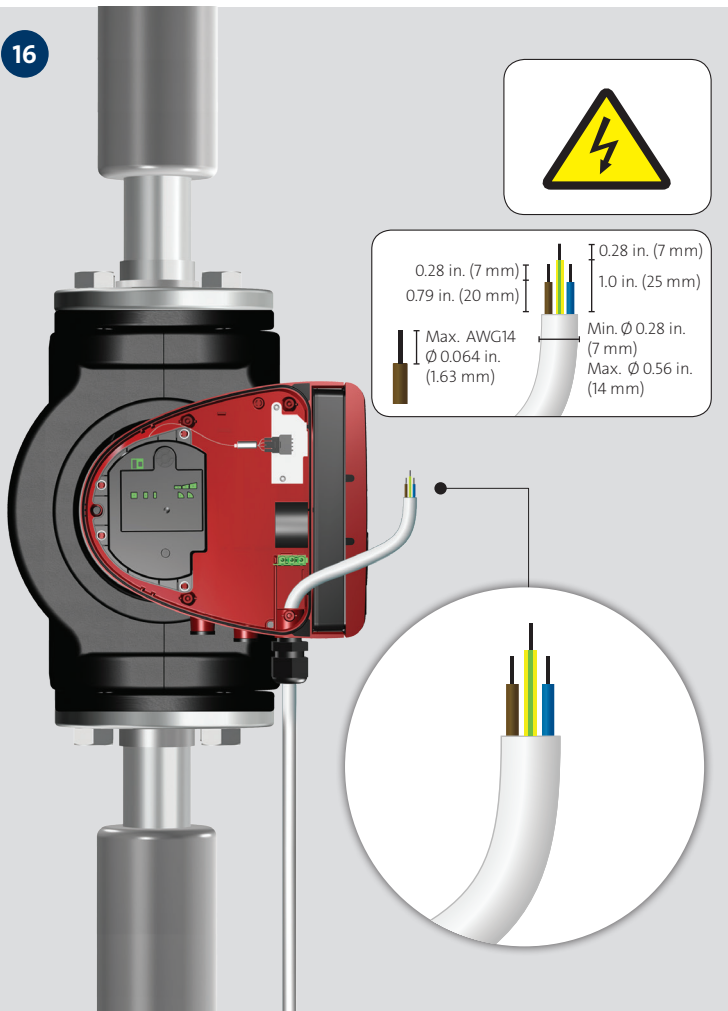


0.28 in. (7 mm)
0.79 in. (20 mm)

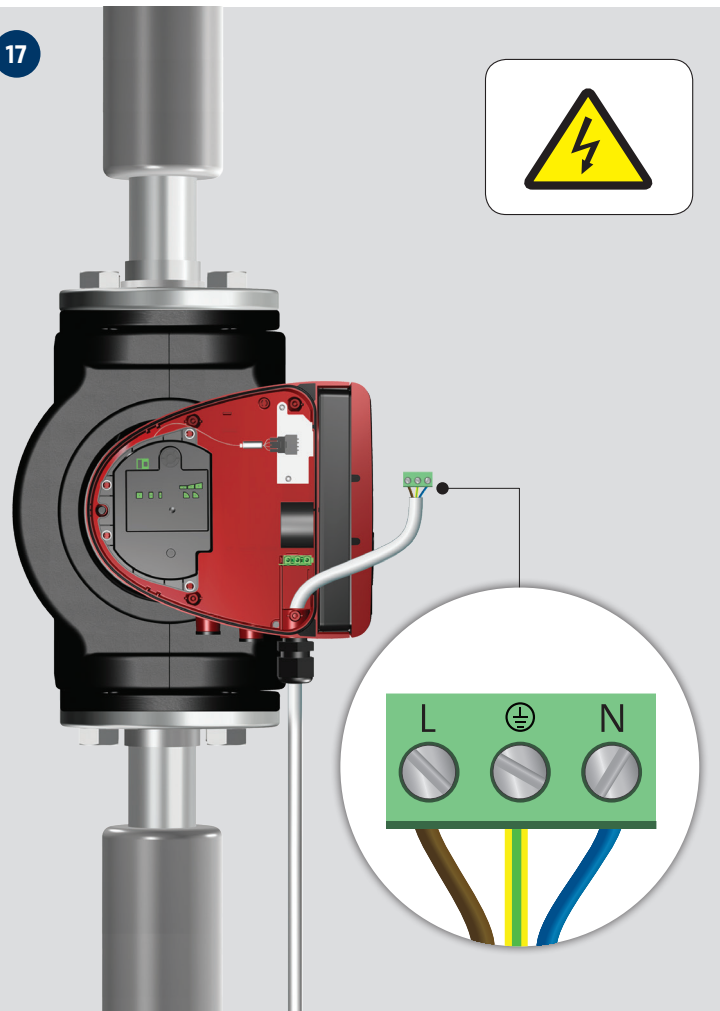
Max. AWG14
Ø 0.064 in.
(1.63 mm)

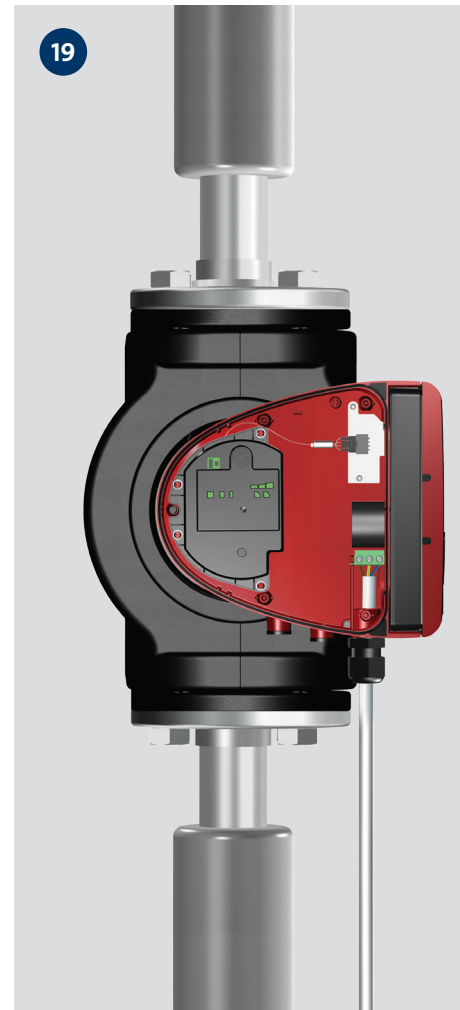
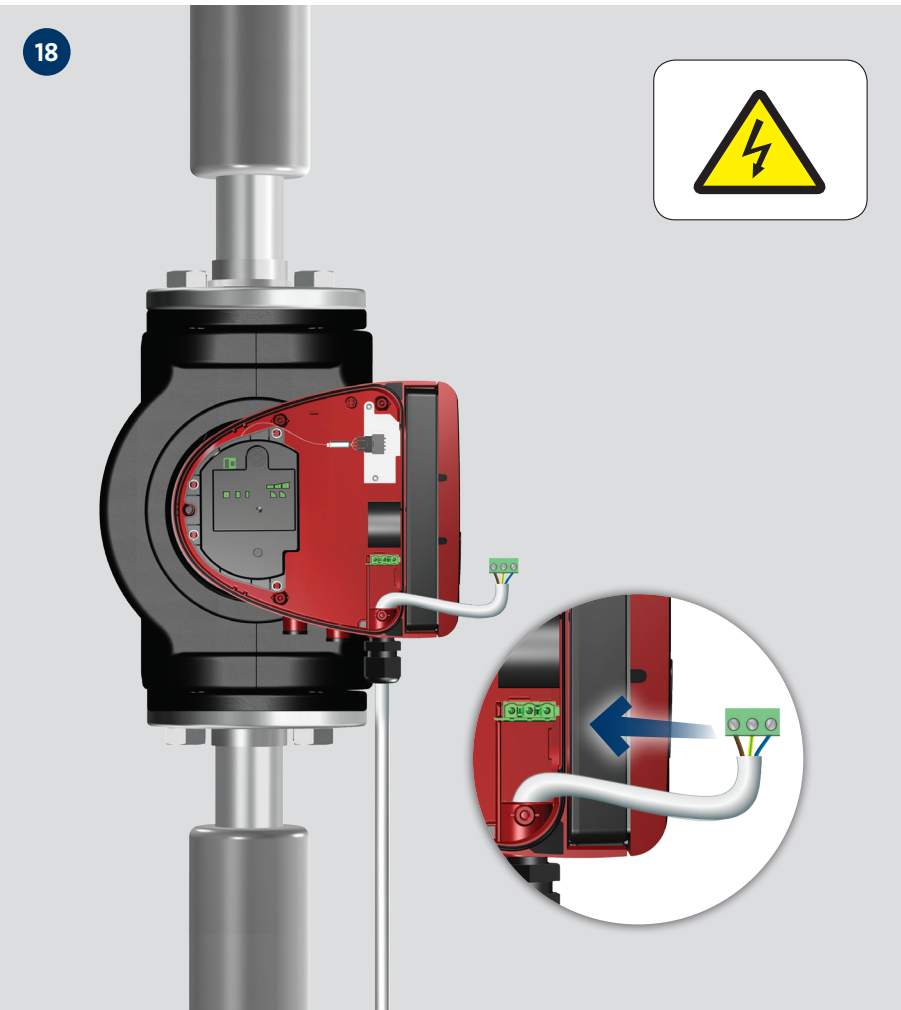
0.28 in. (7 mm)
1.0 in. (25 mm)

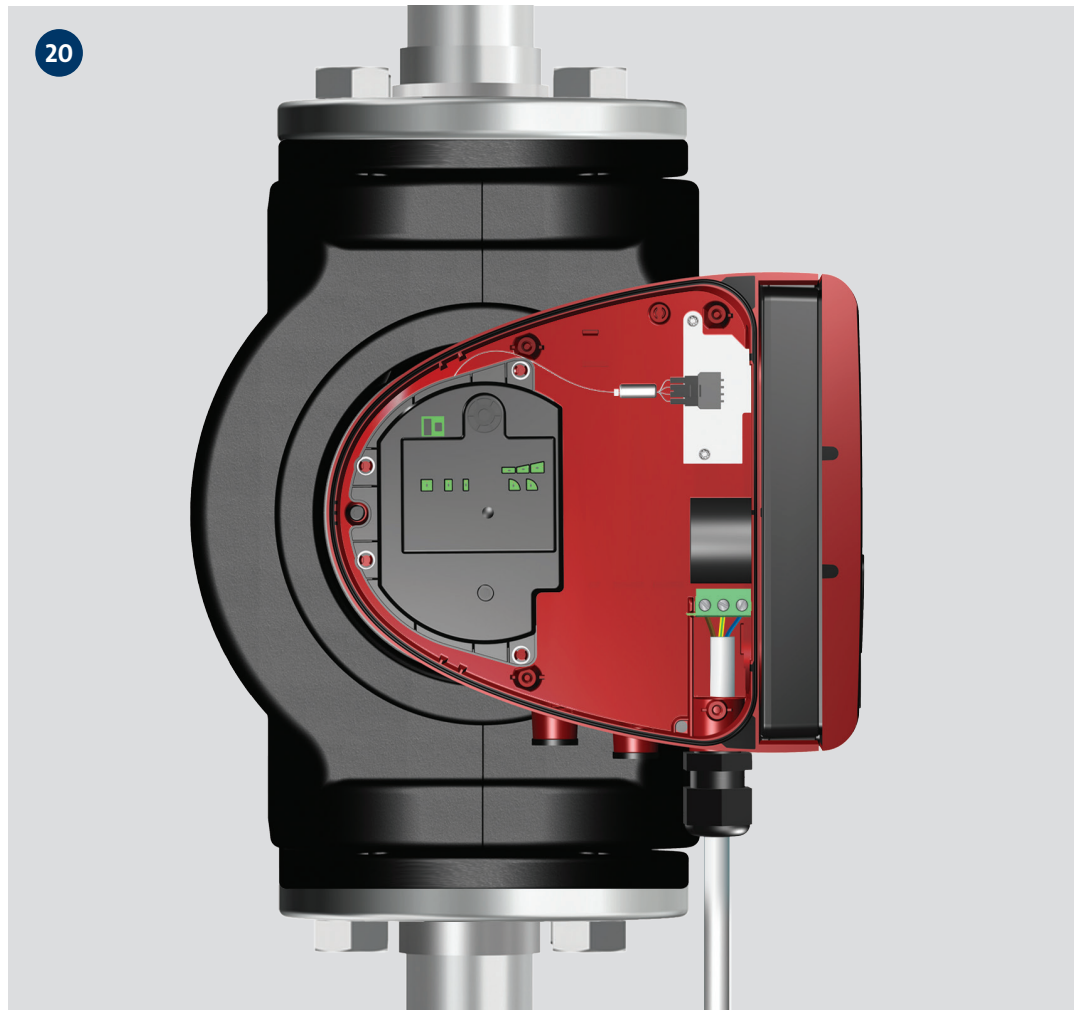
Min. Ø 0.28 in.
(7 mm)
Max. Ø 0.56 in.
(14 mm)



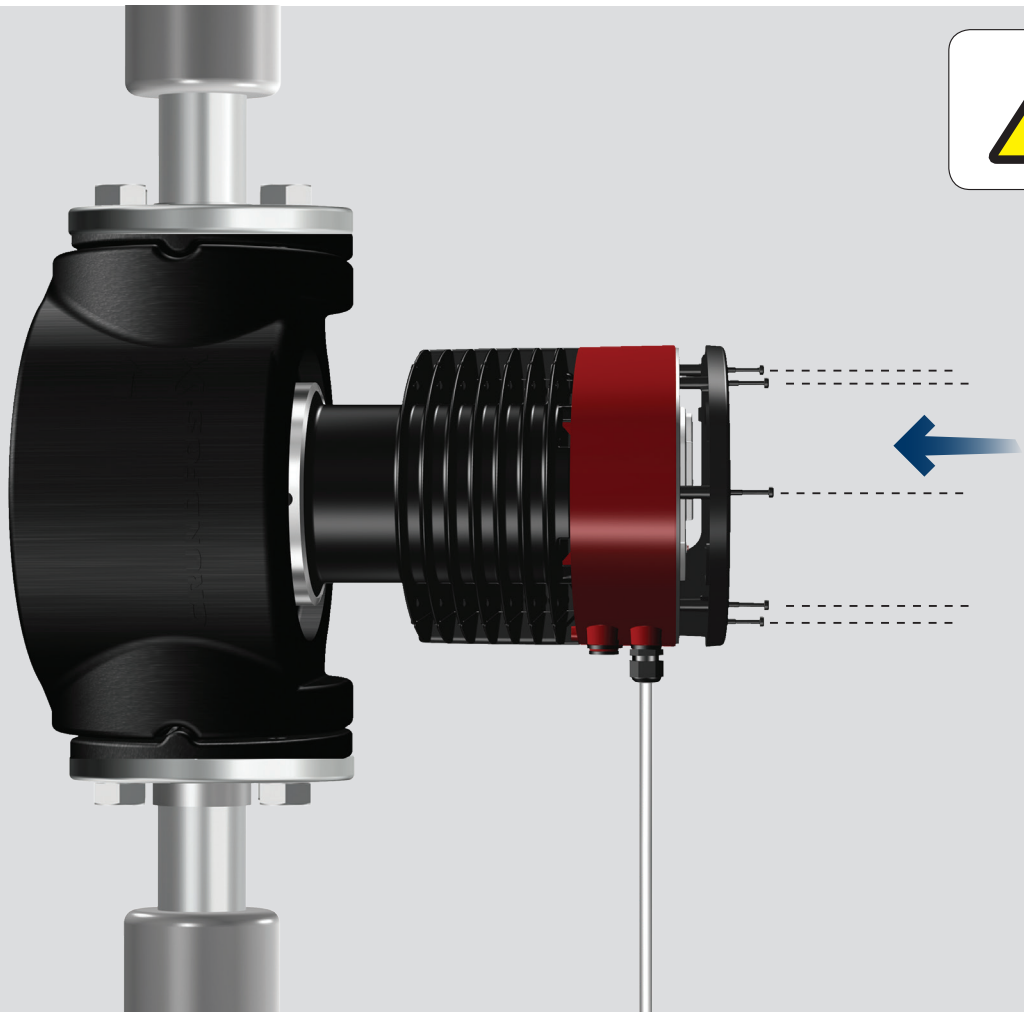
17







21



23



Power cycle

Max. 4 starts
per 60 minutes



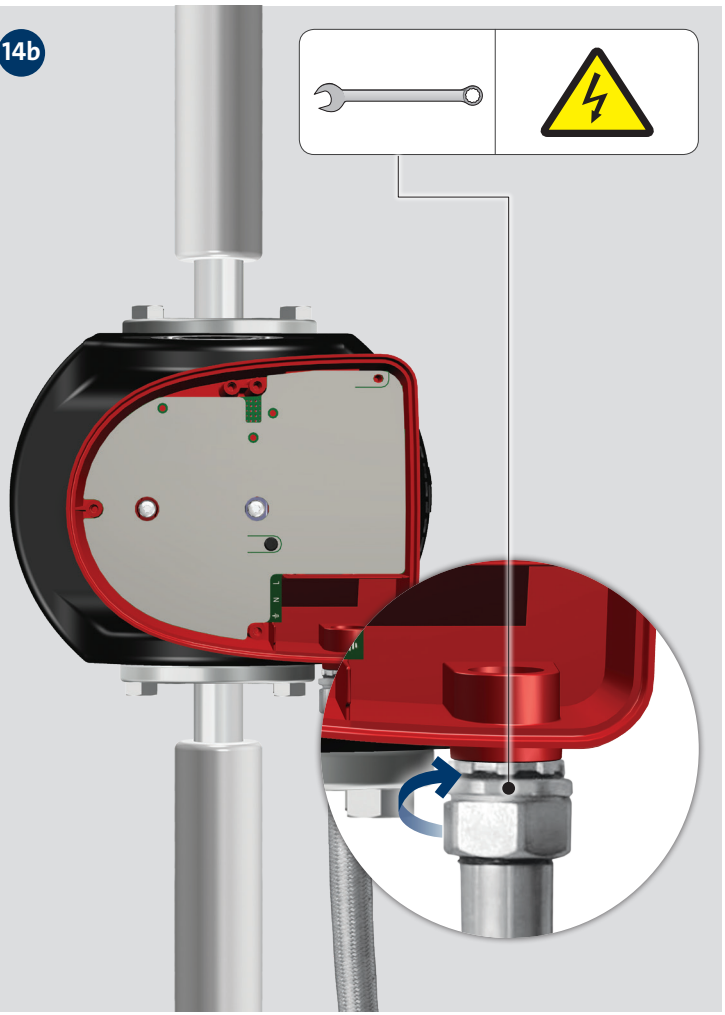
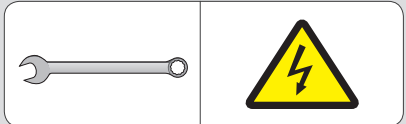
GRUNDFOS
X

12b

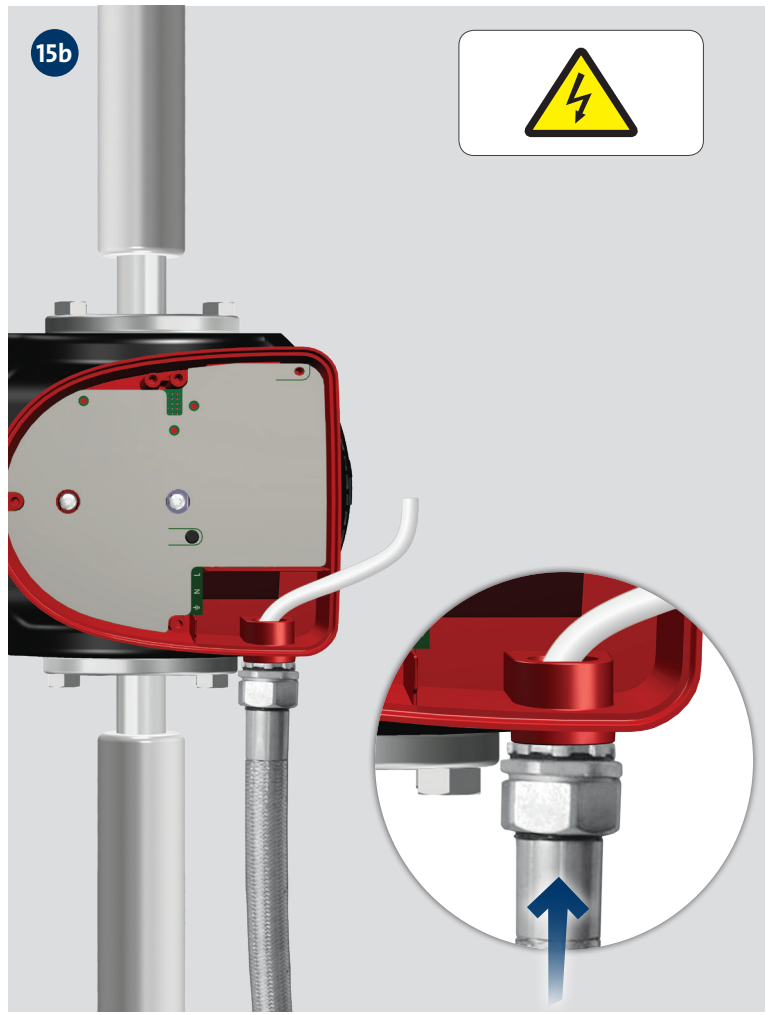
MAGNA1S

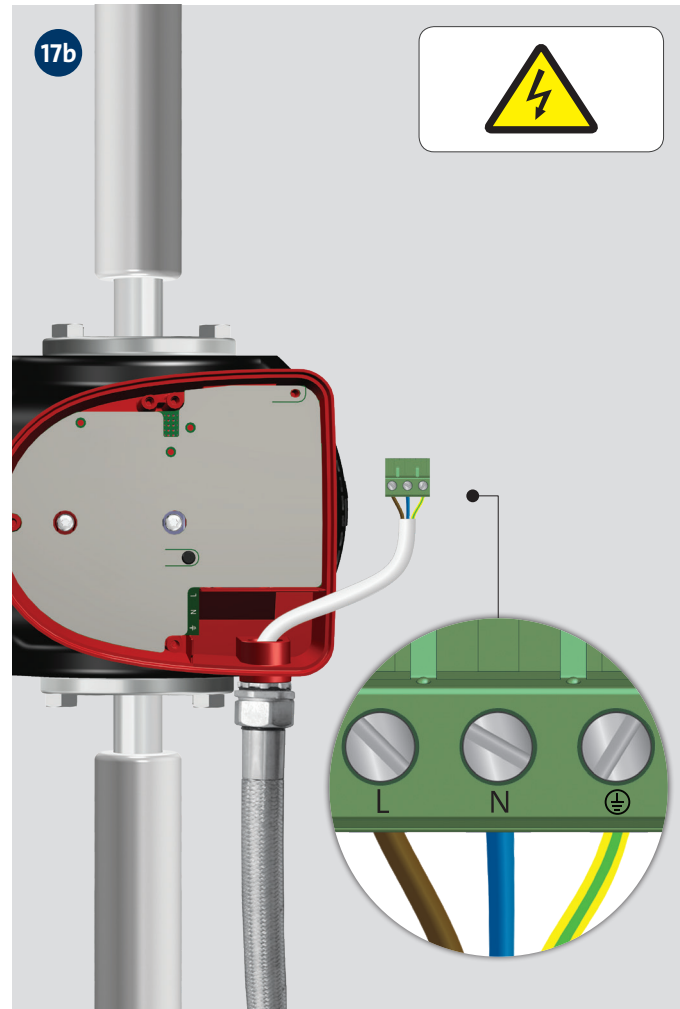
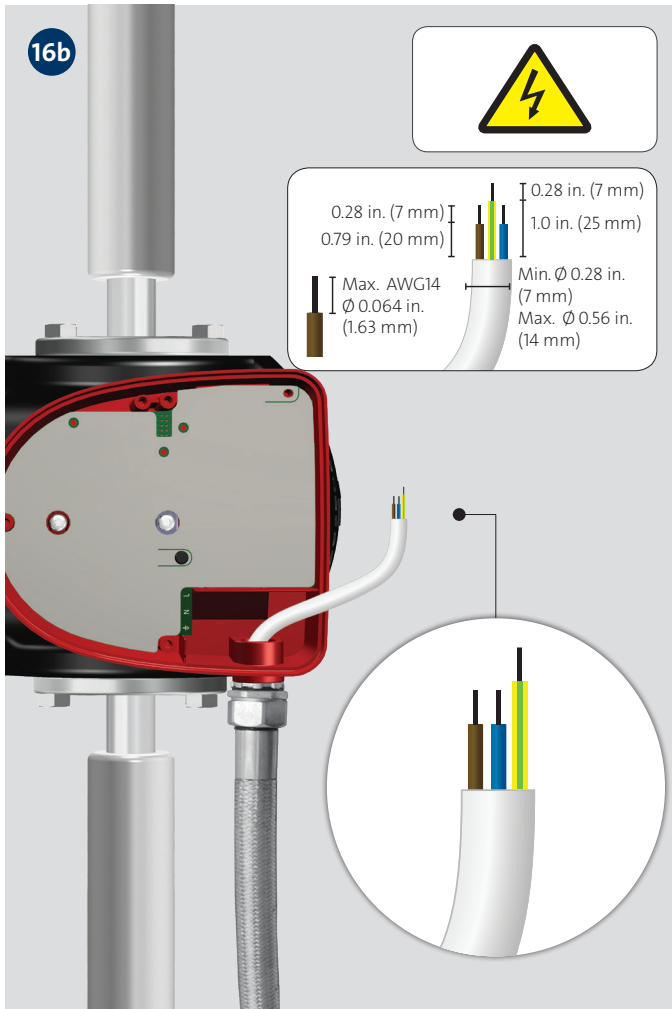
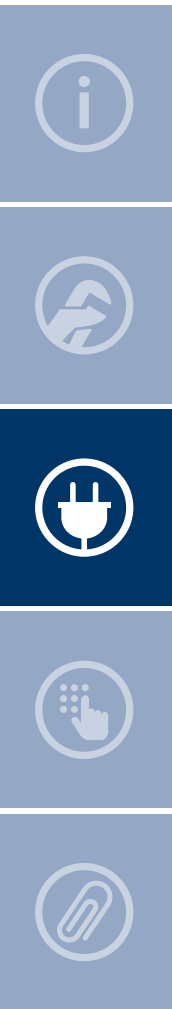


14b

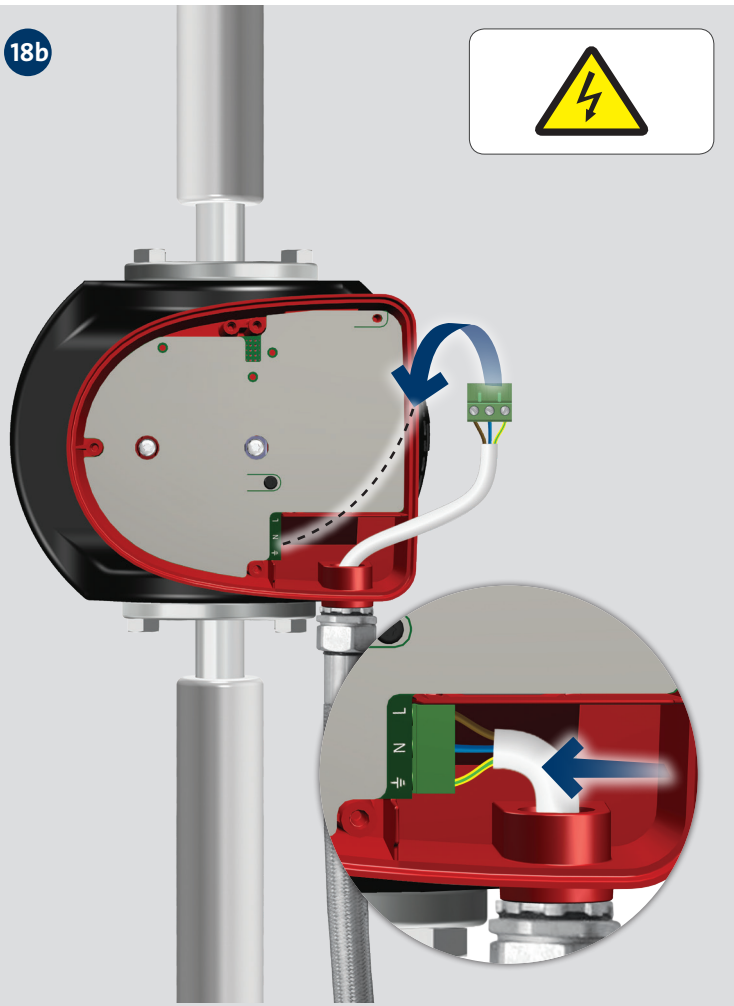


15b

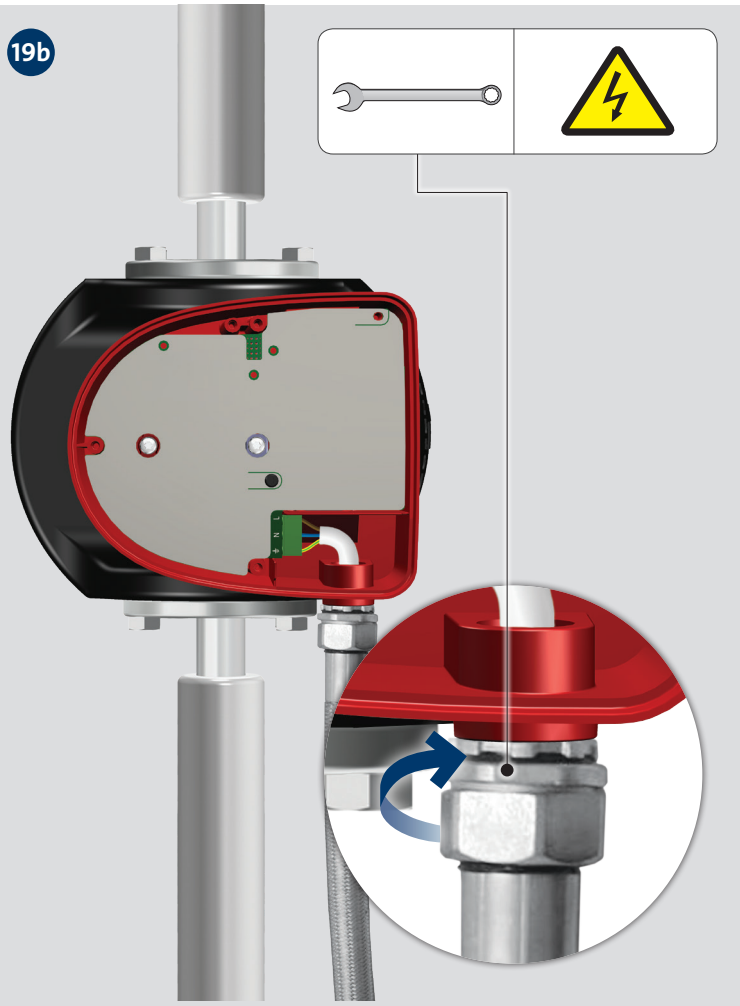
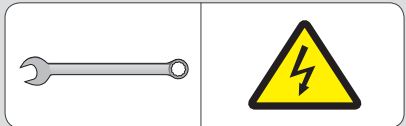




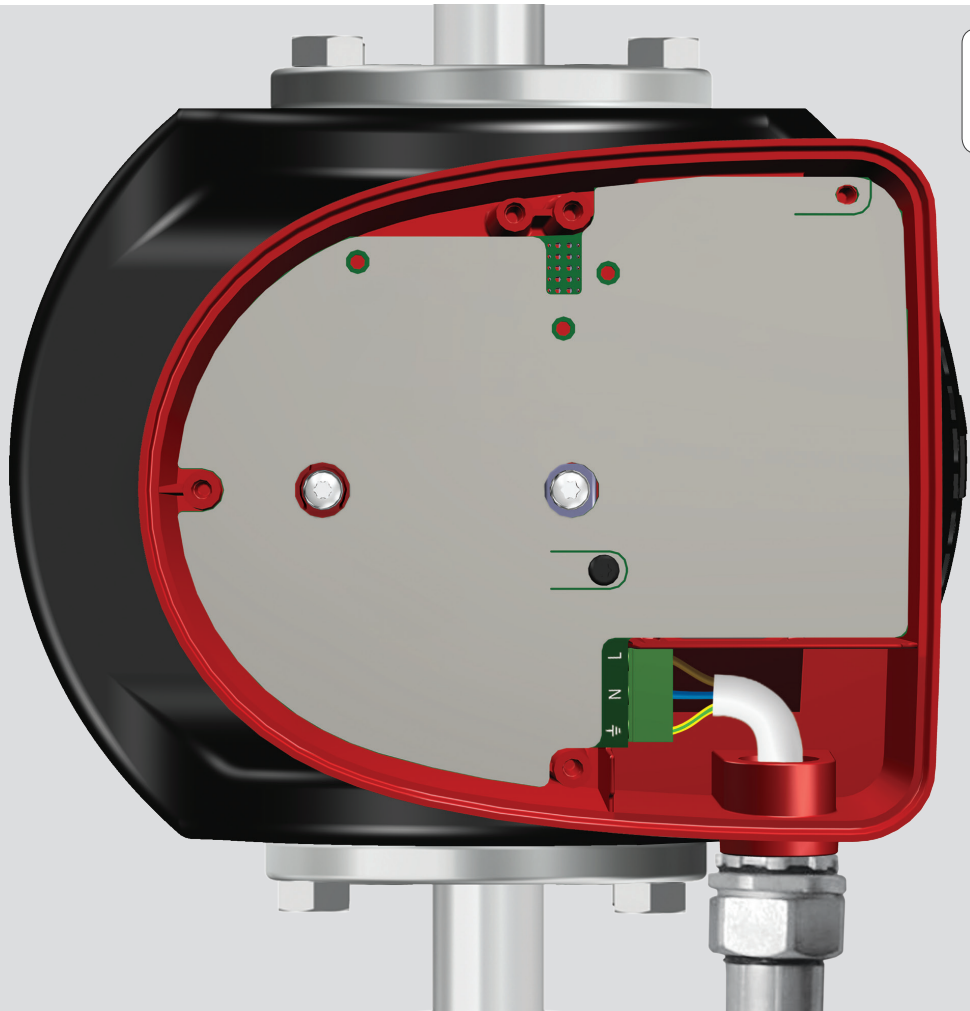
18b



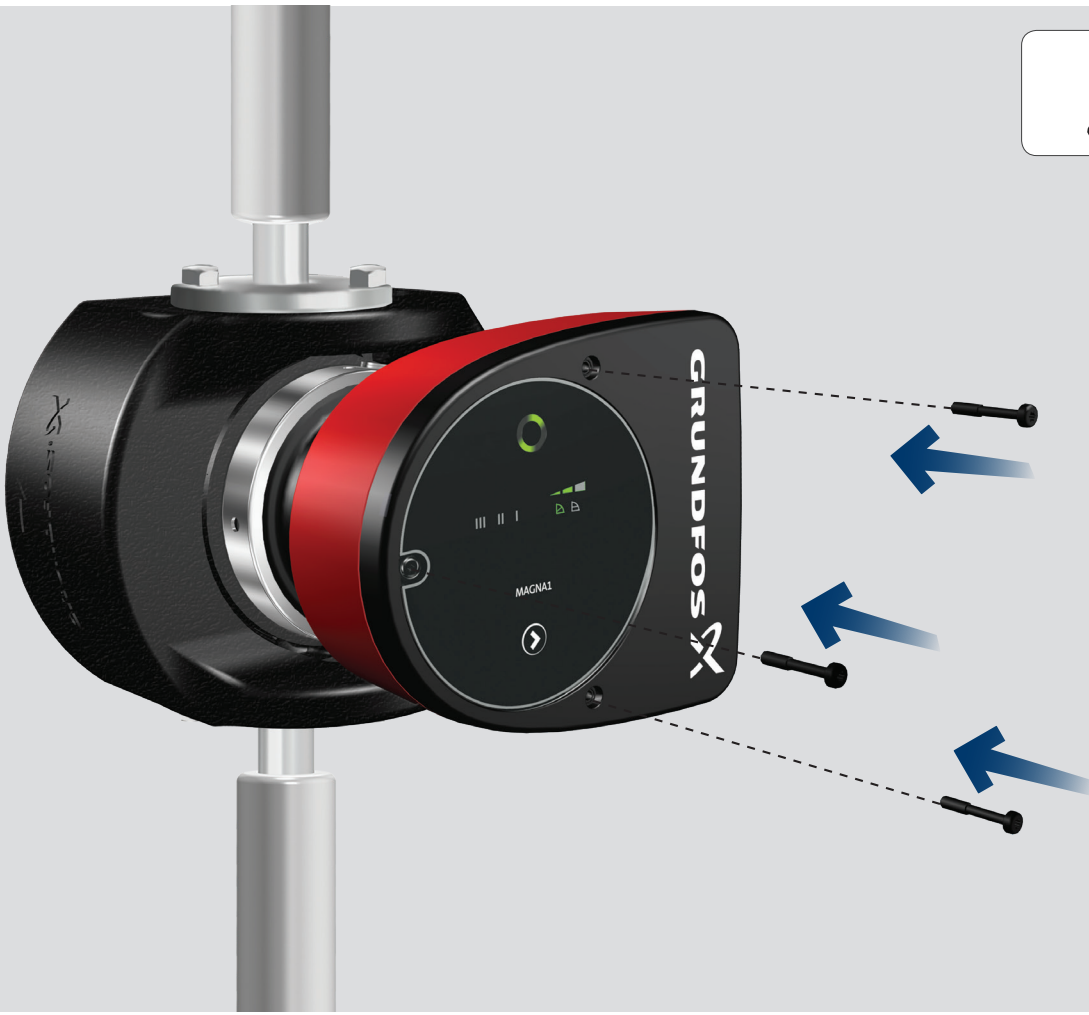
19b



20b



21b

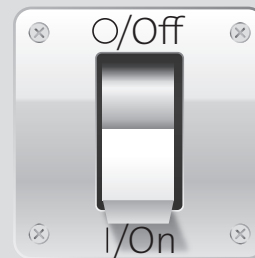



22b




XXXXXXXXXXXXXXXXXXXXXXXXXXXX		XXXXXXXXXXXXXXXXXXXXXXXXXXXX		
P/N: XXXXXXXX	TF XXX	I ₁ [A]	P ₁ [W]	MPa
S/N: XXXXXXXX	EEL s X.XX Part X	Min. X.XX	XXXX	XXXX
PC: XXXX	Made in Germany	Max. X.XX	XXXX	X.X
Model: X				

See nameplate for correct voltage.
Revisar el voltaje correcto en la placa de identificación.
Voir la plaque signalétique pour le correcte voltage.

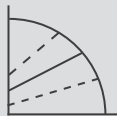




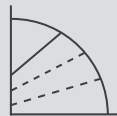
Further product documentation



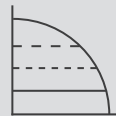
[GRUNDFOS.COM/MANUAL-MAGNA1](https://www.grundfos.com/manual-magna1)



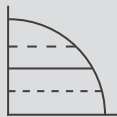
1X



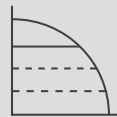
2X



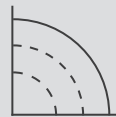
3X



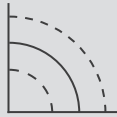
4X



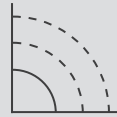
5X



6X

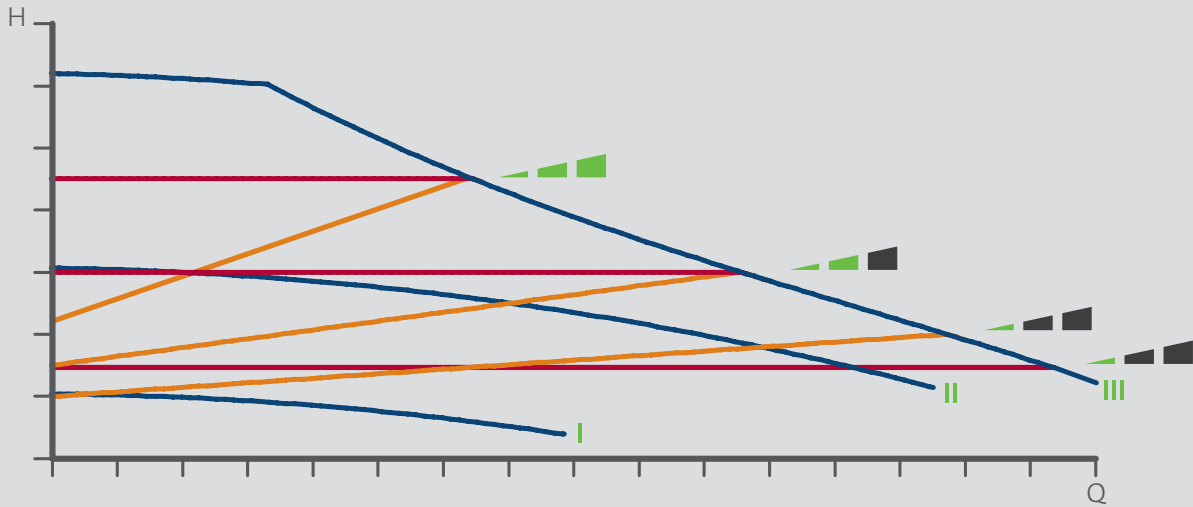


7X



8X





GRUNDFOS.COM/MANUAL-MAGNA1



A large light gray rectangular area containing ten horizontal lines, serving as a writing space.

GRUNDFOS Kansas City

9300 Loiret Blvd.
Lenexa, Kansas 66219
Phone: (913) 227-3400
Fax: (913) 227-3500
www.grundfos.us

GRUNDFOS Canada

2941 Brighton Road
Oakville, Ontario L6H 6C9 Canada
Phone: +1-905 829 9533
Telefax: +1-905 829 9512
www.grundfos.ca

GRUNDFOS México

Boulevard TLC No. 15
Parque Industrial Stiva Aeropuerto
C.P. 66600 Apodaca, N.L. México
Phone: 011-52-81-8144 4000
Fax: 011-52-81-8144 4010
www.grundfos.mx

be think innovate

Installation date: _____

Installer:

L-MAG-TL-06

98373954 0219

ECM: 1254079

GRUNDFOS Holding A/S
Poul Due Jensens Vej 7
DK-8850 Bjerringbro
Tel: +45 87 50 14 00
www.grundfos.com

GRUNDFOS 

Trademarks displayed in this material, including but not limited to Grundfos, the Grundfos logo and "be think innovate", are registered trademarks owned by The Grundfos Group. All rights reserved.
© 2019 Grundfos Holding A/S, all rights reserved.