

 **MIDLAND**®  
**NAUTICO**™ 1  
**VHF MARINE RADIO**  
**OWNER'S MANUAL**



[www.midlandradio.com](http://www.midlandradio.com)

---

<b>TABLE OF CONTENTS</b>	2
<b>Introduction</b>	3
<b>Important Notice, FCC Licensing</b>	4
<b>LCD Display</b>	5
<b>Controls</b>	5
<b>Battery Installation</b>	6
<b>Installing the Belt Clip</b>	6
<b>Charging the Optional Battery Pack</b>	7
<b>Operating Your Radio</b>	7 - 12
<b>External Speaker/Microphone Jack</b>	12
<b>Troubleshooting Guide</b>	13
<b>Use and Care</b>	13
<b>Specifications and Frequency Charts</b>	14 -16
<b>Warranty Information</b>	17
<b>MIDLAND Family Products</b>	18
<b>Accessories</b>	19
<b>Accessories Order Form</b>	21

## Welcome to the world of Midland electronics

Congratulations on your purchase of a high quality MIDLAND product. Your 2-way radio represents the state-of-the-art in high-tech engineering. Designed for VHF Marine Service operation, this compact package is big on performance. It is a quality piece of electronic equipment, skillfully constructed with the finest components. The circuitry is all solid-state and mounted on a rugged printed circuit board. Your 2-way radio is designed to give you reliable and trouble-free performance for years to come.

### Features

- Marine Channels: 57 USA / 61 Canada / 57 International (grouped by area)
- eVOX
- Selectable CALL Tone
- NOAA Weather Radio
- SCAN Function
- MONITOR Function
- Roger Beep Tone
- Key Pad Lock
- Power High / Power Low Settings
- Speaker / Microphone Jacks
- Battery Indicator

This device complies with Part 15 of the FCC Rules. Operation is subject to the following two conditions: (1) this device does not cause harmful interference, and (2) this radio must accept any interference that may cause undesired operation.

To maintain compliance with FCC's RF exposure guidelines, for body-worn operation, this radio has been tested and meets the FCC RF exposure guidelines when used with Midland Radio Corp. accessories supplied or designated for this product. Use of other accessories may not ensure compliance with FCC RF exposure guidelines.

The Nautico1 operates on VHF Marine Radio Service frequencies, in compliance with Federal Communications Commission (FCC) requirements. Recreational boaters are not currently required to have a Ship Radio License. The USCG recommends that the boat's registration number and state be used for the radio call sign.

## FCC LICENSE

A ship station license is not required for any vessel traveling in U.S. waters which is less than 20 meters in length. However, any vessel required to carry an HF SSB radiotelephone or marine satellite terminal is required to have a ship station license. FCC license forms can be downloaded at [www.fcc.gov/forms](http://www.fcc.gov/forms). You may also obtain a form from the FCC by calling (888) 225-5322.

## Exposure To Radio Frequency Energy

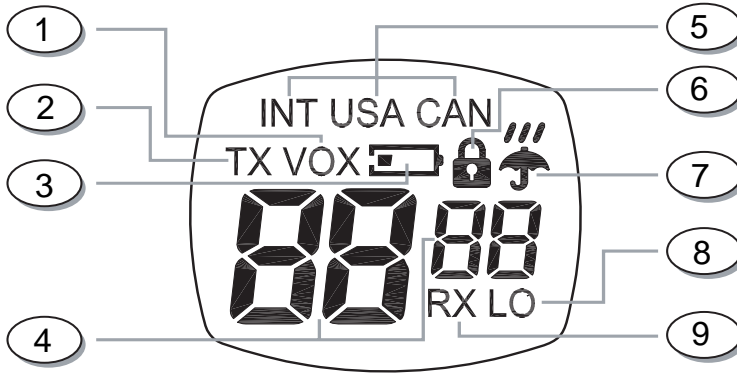
Your Midland radio is designed to comply with the following national and international standards and guidelines regarding exposure of human being to radio frequency electromagnetic energy:

- United States Federal Communications Commission, Code of Federal Regulations: 47 CFR part 2 sub-part J
- American National Standards Institute (ANSI)/Institute of Electrical & Electronic Engineers (IEEE) C95. 1-1992
- Institute of Electrical and Electronic Engineer (IEEE) C95. 1-1999 Edition
- National Council on Radiation Protection and Measurements (NCRP) of the United States, Report 86, 1986
- International Commission on Non-Ionizing Radiation Protection (ICNIRP) 1998

To control your exposure and ensure compliance with the general population or uncontrolled environment exposure limits, transmit no more than 50% of the time. The radio generates measurable RF energy exposure only when transmitting.

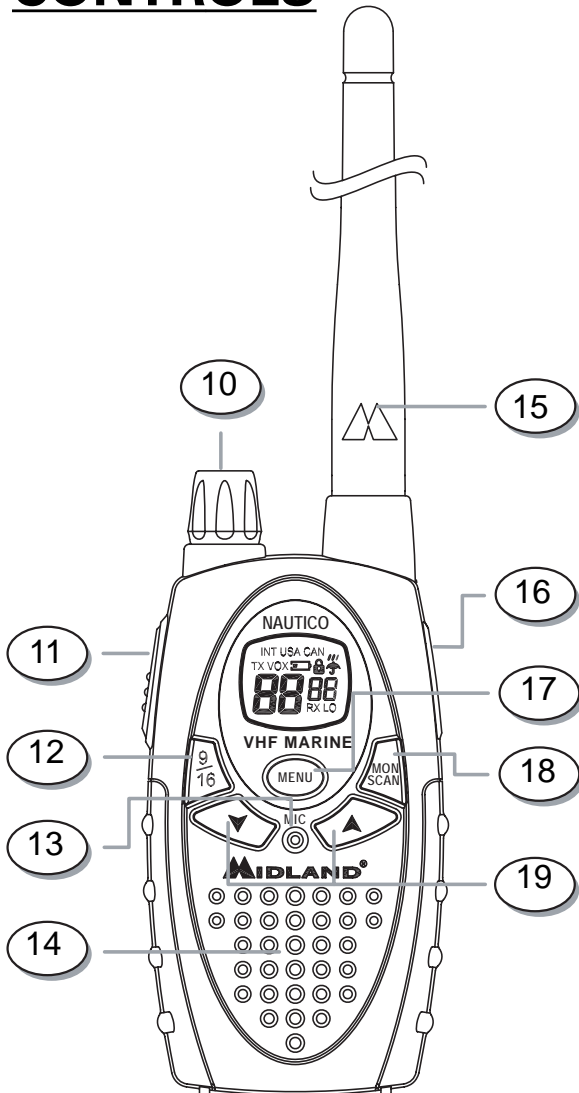
**IMPORTANT:** Changes or modifications to this unit not expressly approved by **MIDLAND RADIO CORP.** could void your right to operate this unit. Your radio is set up to transmit a regulated signal on an assigned frequency. It is against the law to alter or adjust the settings inside the COMMUNICATOR to exceed those limitations. Any adjustment to your radio must be made by qualified technicians.

## LCD DISPLAY



1. **VOX ICON** - Indicates when eVOX mode is active.
2. **TRANSMIT (TX) ICON** - Indicates radio is transmitting a signal.
3. **LOW BATTERY ICON** - Indicates battery level is low.
4. **CHANNEL NUMBER** - Changes from 1~88a on VHF Marine band (1~10 on WX band).
5. **USA/CAN/INT CHANNEL ICONS**
6. **KEY LOCK ICON** - Indicates KEY LOCK mode is on.
7. **WX BAND ICON** - Indicates when the radio is in Weather Band mode
8. **TRANSMIT POWER LEVEL (Hi / LO) ICON** - Indicates TX Power setting.
9. **RECEIVE (RX) ICON** - Indicates radio is receiving a transmission.

## CONTROLS



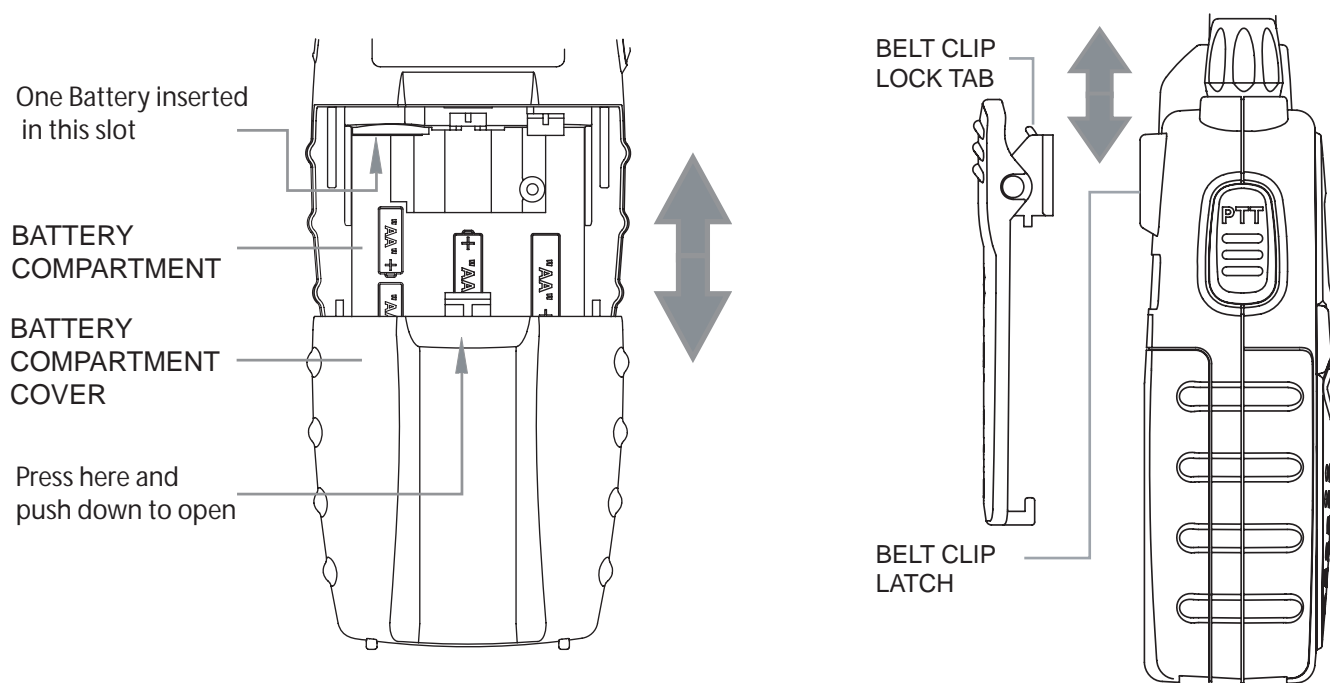
10. **POWER/VOLUME KNOB** - Turn clock wise to turn the power on and increase the volume level. Turn counter-clockwise to decrease the volume level and turn the power off.
11. **PTT Button** - Press and hold to transmit voice communication. Press twice quickly to send a call tone.
12. **CH 9/16 Button** - Press to switch immediately to emergency channel 16. Press and hold to switch to Channel 9.
13. **MIC** - Built-in microphone.
14. **SPEAKER** - Built-in speaker.
15. **ANTENNA.**
16. **EXTERNAL SPEAKER/MIC JACK.**
17. **MENU Button** - Press to access MENU mode. Press and hold to go to WX Band Receiver mode.
18. **MONITOR/SCAN Button** - Press to enter SCAN mode. Press and hold to enter MONITOR mode.
19. **UP/DOWN Button** - Make adjustments in MENU mode.

## BATTERY INSTALLATION

Your NAUTICO1 radio operates with either 4 AA alkaline batteries or an optional NiMH battery pack. The belt clip should be removed (see below) to ease installation or removal of the batteries.

To install the batteries:

1. With the back of the radio facing you, remove the belt clip (see diagram below) for easy access, then remove the Battery Cover by pressing down on the top center and sliding it down from the radio.
2. Insert 4 AA batteries observing the polarity as shown. Installing the batteries incorrectly will prevent the radio from operating or may damage the radio.
3. Return the battery cover by sliding it up on the radio. Replace the belt clip, making sure it locks into place.



## INSTALLING THE BELT CLIP

To install the **BELT CLIP**, slide the clip down into the slot on the back of the radio until the **BELT CLIP LATCH** clicks. To remove the **BELT CLIP**, press the **LOCK TAB** up, then gently pull the belt clip up toward the top of the radio.

## **CHARGING THE OPTIONAL BATTERY PACK**

Your NAUTICO1 is equipped for using an optional rechargeable NiMH battery pack (included) which can be recharged using an AC or DC charger (included). Initial charge time is 24 hours with a charge time of 8-12 hours thereafter. For maximum battery life, we recommend charging the NAUTICO1 when the low battery indicator comes on. Remove the radio from the charger when the charge time expires.

### **To Charge Using Optional AC or DC Charger:**

1. Place the rechargeable Ni-MH battery pack into the radio.
2. Connect the AC adapter into an AC wall outlet .
3. Insert the AC adapter plug (or DC Cigarette Lighter adapter if charging in vehicle) into the charging jack on the side of the radio.



1. Only use our NiMH battery pack.
2. Do not attempt to charge alkaline batteries or any batteries or battery packs other than the one indicated in the manual. This may cause leakage and damage to the radio.
3. For long term storage of the radio, turn the radio OFF and remove the batteries from the radio.

## **OPERATING YOUR RADIO**

### **POWER ON/OFF AND VOLUME**

Rotate the **POWER/VOLUME** knob clockwise to turn the radio on and increase the volume level. Rotate the control counter-clockwise to reduce the volume level and to turn the radio off. During Power On, the radio will beep 3 times with different tones, the LCD will display a "**self-test**" message for 1 second and the LCD display will indicate the last selected channel.

## **TRANSMITTING AND RECEIVING**

1. To transmit a call, hold the radio 2 to 3 inches from your mouth.
2. Press and hold the PTT button and speak in a normal voice into the microphone. The TX icon will appear continuously on the LCD display while transmitting.
3. To receive a call, release the PTT button. The RX icon will appear on the display when your radio is receiving.

## **IN CASE OF EMERGENCY**

If your vessel requires assistance, contact other vessels and the Coast Guard by sending a distress call on Channel 16.

### **○ USING CHANNEL 16**

#### **DISTRESS CALL PROCEDURE**

1. "MAYDAY MAYDAY MAYDAY"
2. "THIS IS ....." (name of vessel)
3. Your call sign or other indication of the vessel.
4. "LOCATED AT ....." (your position)
5. The nature of the distress and assistance required.
6. Any other information which might facilitate the rescue.

## **ABOUT RANGE**

Your NAUTICO1 radio is designed to give you maximum range under optimum conditions.

Optimum Conditions are:

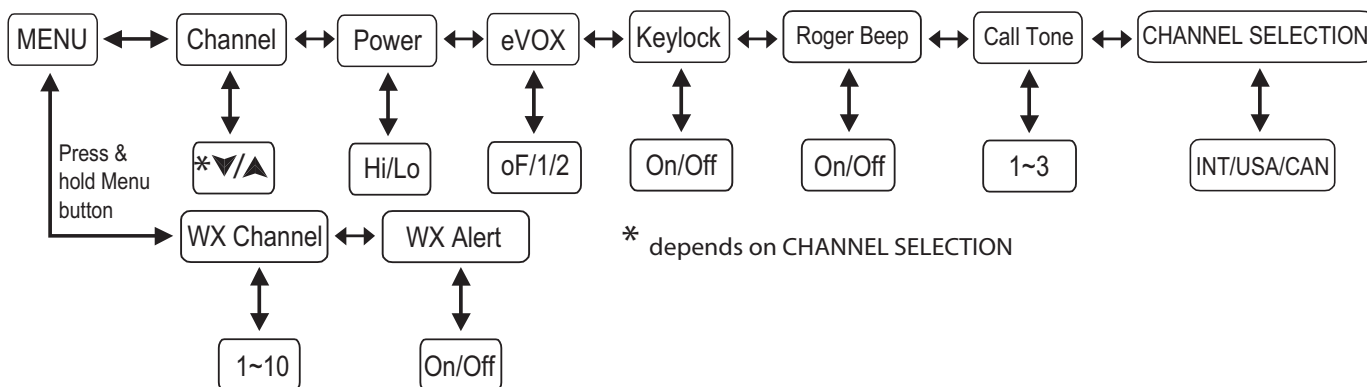
- Over water
- Open rural areas without obstructions
- Flat areas where you can see the other person

To ensure you get maximum range:

- Be sure to use fresh or fully charged batteries - low batteries will cause low power conditions
- Be sure to set your radio to use Hi power.



## NAUTICO1 QUICK REFERENCE CHART



## MONITOR

Pressing and holding the **MONITOR** button for 1 second will let you hear noise so you can adjust the volume level of the radio when not receiving a signal. This should be used to check activity on your current channel before transmitting. Press and release the **MONITOR** button for 1 second to get out of **MONITOR** mode.

## SCAN

Your NAUTICO1 can scan all channels for activity. To enter, quickly press the **SCAN** button. Repeat the same procedure to exit. Your radio will rapidly scan each of the channels and stop on any active channel for 5 seconds before resuming scan. When you press the **PTT** button to transmit on an active channel, the scanning function will stop and remain on the active channel. To resume scanning, quickly press the ▼/▲ button.

## INSTANT CHANNEL 9/16

**Channel 16 (Distress Channel)** is used for calling other stations or for distress alerting. You must monitor Channel 16 while standing by. Channel 16 is only to be used in emergency situations. You can also switch to Channel 9, the leisure-use call channel, without changing your normal channel by pressing and holding the **CH9/16** button for 1 second. Pressing the **CH9/16** button again returns the radio to the normal channel setting.

## CALL TONE

Your NAUTICO1 can transmit a call tone for a fixed length of time. To send a call tone, press the **PTT** button twice within 1/2 second. The **TX** icon will appear while transmitting a call tone and a tone can be heard on the speaker for confirmation.

## **KEYPAD LOCK**

To avoid accidentally changing the radio setting, press the **MENU** button 4 times then press an up/down button to choose ON. The **KEY LOCK** icon will appear on the display. **PTT** and **CH16** will still be active. To unlock the keypad, press the **MENU** button once, then press the ▼/▲ button to choose **OF**.

## **DISPLAY ILLUMINATION**

During Power on, the display illumination will activate for approx. 7 seconds. The display illumination can also be activated when the **MENU** button is pressed.

## **CHANNEL SELECTION**

Press the **MENU** button once, and then the ▼/▲ buttons to select one of the channels. To confirm the selection, press the **PTT** button or press **MENU** again to move to the next feature setting.

## **TRANSMIT (TX) POWER LEVEL SELECTION**

The NAUTICO1 has 2 transmit power level settings. To select the power level on channels press the **MENU** button two times, a "**Pr**" icon will appear blinking on the display. Then press the ▼/▲ button to select **TRANSMIT POWER LEVEL** icon (**Hi / LO**). The TX icon will be blank when Hi setting is selected. To confirm, press the **PTT** button or press **MENU** again to move to the next feature setting.

## **eVOX (Hands-free Transmission)**

Your NAUTICO1 has 2 eVOX level settings: (**oF/1/2**). To set **eVOX**, press the **MENU** button three times. The display shows "**eVOX**" blinking while on the right of the **CHANNEL NUMBER** display, an "**oF**" icon appears. Select "**1**" or "**2**" by pressing the ▼/▲ buttons and push the **PTT** key, or press **MENU** again to move to the next feature setting.

**eVOX** will be more sensitive on the "**2**" setting than on the "**1**" setting.

To turn **eVOX** off, press the **MENU** button three times. The display shows "**VOX**" blinking. Select "**oF**" by pressing the ▼/▲ buttons and push the **PTT** key, or press **MENU** to move to the next feature setting.

## **ROGER BEEP (end of transmission) TONE**

When the **PTT** button is released, the radio will beep to confirm to other users that your transmission has finished. To turn the **ROGER BEEP** tone on, press the **MENU** button until the display shows an "**rb**" icon while on the right of the "**rb**" display, an "**oF**" icon appears. Select "**on**" by pressing the ▼/▲ buttons and push the **PTT** key, or press **MENU** to move to the next feature setting.

To turn the **ROGER BEEP** tone off, press the **MENU** button until the display shows an "**rb**" icon while on the right of the "**rb**" display, an "**on**" icon appears. Select "**oF**" by pressing the ▼/▲ buttons and push the **PTT** key, or press **MENU** to move to the next feature setting.

## **USA/CAN/INT CHANNEL SELECTION**

The NAUTICO1 channel selection can be changed to follow rules of USA, Canada, or international rules. Press the **MENU** button until the current channel icon (USA, CAN, INT) flashes. Select a different channel list by pressing the ▼/▲ buttons until the desired icon appears. Press the **PTT** key or press **MENU** to confirm

## **CALL TONE SELECTION**

Your NAUTICO1 has 3 user-selectable **CALL TONES**. To select, press the **MENU** button six times, so a "**CA**" icon appears and to the right of the "**CA**" icon the current **CALL TONE** setting is displayed. Then press the ▼/▲ buttons to make the **CALL TONE** selections, the radio will emit a corresponding tone for each selection. To confirm, press the **PTT** button or press **MENU** to move to the next feature setting.

## **WEATHER (WX) BAND RECEIVER**

Your NAUTICO1 has a **WEATHER (WX) BAND RECEIVER** function, to enable user to receive weather alert/reports from designated **NOAA** stations. To turn the **WEATHER (WX) RECEIVER** on, press and hold the **MENU** button for 3 seconds. The current **WX CHANNEL** and **WX BAND** icon will appear on the display. Press the **MENU** button and the ▼/▲ buttons to select one of the 10 **WX BAND** channels. To confirm, press the **PTT** button or press **MENU** to move to the next feature setting.

To turn the **WEATHER (WX) RECEIVER** off, press and hold the **MENU** button for 3 seconds. The current radio setting will be displayed and the **WX BAND** icon will go off.

## WEATHER (WX) ALERT

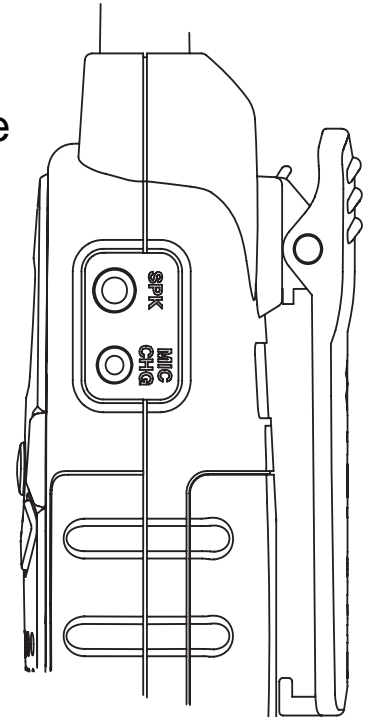
Your NAUTICO1 has a **WEATHER (WX) ALERT** function, to enable user to automatically receive weather alert from designated **NOAA** stations. To turn the **WEATHER (WX) ALERT** on, press the **MENU** button twice while in WX Band. The display shows "**AL**", while on the right an "**oF**" icon appears blinking. Select "**on**" by pressing the ▼/▲ buttons. To confirm, press the **PTT** button or press **MENU**. The radio will return to **WX BAND** and the **WX BAND** icon will continue blinking. If the radio receives a WX ALERT signal from a designated **NOAA** station while on **MARINE** Band, the radio will beep for 10 seconds while an "**AL**" and "**In**" icon appear on the display, after which will automatically go to **WX BAND**. If any button is pressed during beeping while on **MARINE** Band, the radio will automatically go to **WX BAND**.

To turn the **WEATHER (WX) ALERT** off, press the **MENU** button twice while in **WX** Band. The display shows "**AL**", while on the right an "**on**" icon appears blinking. Select "**oF**" by pressing the ▼/▲ buttons. To confirm, press the **PTT** button or press **MENU**."

## EXTERNAL SPEAKER/MICROPHONE JACK

Your NAUTICO1 Series can be used with an optional external speaker /microphone or headset, freeing your hands for other tasks. To use an optional speaker / microphone or headset:

- Insert the plug(s) into the **SPK/MIC** jacks
- Place the earbud into your ear, and adjust the mic into your desired position.



## TROUBLESHOOTING GUIDE

<b>PROBLEM</b>	<b>SOLUTION</b>
No Power	- Check battery installation and/or replace batteries
Cannot Receive Messages	- Confirm the radios have the same channel. - Make sure that you are within range of the other transceivers. - Buildings and other structures may interfere with your communication. <b>(See <i>ABOUT RANGE</i> on Page 8)</b>
Radio is not responding to button presses	- Make sure key lock is not on. See "Keypad Lock" (Page 10). - Radio might need to be reset. Turn radio off then on.
Display is dim	- Recharge or replace batteries.
Charger not functioning	- Ensure the outlet where the charger is plugged into is functioning properly. - Check that the battery pack is installed in the radio properly.

## USE AND CARE

1. Use a soft damp cloth to clean the radio
2. **Do not** use alcohol or cleaning solutions to clean the radio.
3. **Do not** immerse the radio in water.
4. Dry the radio with dry lint-free cloth should it get wet.
5. Turn off the radio and remove the batteries during long-term storage.

**If you have a problem which you believe requires service, please call first and speak with a service technician. Many problems can be remedied over the phone without returning the unit for service.**

## SPECIFICATIONS

**Channels** 57 US, 61 CAN, 57 INT  
 10 NOAA Weather (WX) Band Channels  
**Operating Frequency** VHF 156.025 ~ 162.550 MHz  
**Power Source** 4 AA Alkaline or 6.0V Rechargeable Ni-MH battery pack

## MARINE RADIO FREQUENCY CHART (MHz)

CHANNEL NUMBER			FREQUENCY (MHz)		MODE	NOTE
INT	CAN	US	TX	RX		
01	01		156.050	160.650	D	
		01A	156.050	156.050	S	
02	02		156.100	160.700	D	
03	03		156.150	160.750	D	
04			156.200	160.800	D	
	04A		156.200	156.200	S	
05			156.250	160.850	D	
	05A	05A	156.250	156.250	S	
06	06	06	156.300	156.300	S	
07			156.350	160.950	D	
	07A	07A	156.350	156.350	S	
08	08	08	156.400	156.400	S	
09	09	09	156.450	156.450	S	
10	10	10	156.500	156.500	S	
11	11	11	156.550	156.550	S	
12	12	12	156.600	156.600	S	
13	13	13	156.650	156.650	S	
14	14	14	156.700	156.700	S	
15	15		156.750	156.750	S	*
		15		156.750	R	
16	16	16	156.800	156.800	S	
17	17	17	156.850	156.850	S	*
18			156.900	161.500	D	
	18A	18A	156.900	156.900	S	
19			156.950	161.550	D	

CHANNEL NUMBER			FREQUENCY (MHz)		MODE	NOTE
INT	CAN	US	TX	RX		
	19A	19A	156.950	156.950	S	
20	20*	20	157.000	161.600	D	
21			157.050	161.650	D	
	21A	21A	157.050	157.050	S	
	21B			161.650	R	
22			157.100	161.700	D	
	22A	22A	157.100	157.100	S	
23	23		157.150	161.750	D	
		23A	157.150	157.150	S	
24	24	24	157.200	161.800	D	
25	25	25	157.250	161.850	D	
26	26	26	157.300	161.900	D	
27	27	27	157.350	161.950	D	
28	28	28	157.400	162.000	D	
60	60		156.025	160.625	D	
61			156.075	160.675	D	
	61A		156.075	156.075	S	
62			156.125	160.725	D	
	62A		156.125	156.125	S	
63			156.175	160.775	D	
		63A	156.175	156.175	S	
64	64		156.225	160.825	D	
	64A		156.225	156.225	S	
65			156.275	160.875	D	
	65A	65A	156.275	156.275	S	
66			156.325	160.925	D	
	66A*	66A	156.325	156.325	S	
67	67	67	156.375	156.375	S	
68	68	68	156.425	156.425	S	
69	69	69	156.475	156.475	S	
70	70	70		156.525	R	**
71	71	71	156.575	156.575	S	
72	72	72	156.625	156.625	S	

CHANNEL NUMBER			FREQUENCY (MHz)		MODE	NOTE
INT	CAN	US	TX	RX		
73	73	73	156.675	156.675	S	
74	74	74	156.725	156.725	S	
75			156.775	156.775	S	*
76			156.825	156.825	S	*
77	77*	77*	156.875	156.875	S	
78			156.925	161.525	D	
	78A	78A	156.925	156.925	S	
79			156.975	161.575	D	
	79A	79A	156.975	156.975	S	
80			157.025	161.625	D	
	80A	80A	157.025	157.025	S	
81			157.075	161.675	D	
	81A	81A	157.075	157.075	S	
82			157.125	161.725	D	
	82A	82A	157.125	157.125	S	
83	83		157.175	161.775	D	
	83A	83A	157.175	157.175	S	
84	84	84	157.225	161.825	D	
85	85	85	157.275	161.875	D	
86	86	86	157.325	161.925	D	
	87		157.375	161.975	D	
87			157.375	157.375	S	
	88		157.425	162.025	D	
88		88A	157.425	157.425	S	

**S** = Simplex ; **D** = Duplex ; \* = obligatory low transmission power of 1 Watt  
 \*\* = classified to DSC communications

### NOAA WEATHER (WX) RADIO FREQUENCY CHART (MHz)

CH. No	CH. Freq.	CH. No	CH. Freq.
1	162.550	6	162.500
2	162.400	7	162.525
3	162.475	8	161.650
4	162.425	9	161.775
5	162.450	10	163.275

\* Channel 8,9 and 10 are designated Canadian Marine Frequencies



## LIMITED WARRANTY

Midland Radio Corporation will repair or replace, at its option without charge, any Midland VHF MARINE transceiver which fails due to a defect in material or workmanship within Three Years following the initial consumer purchase. This warranty does not apply to water damage, battery leak or abuse.

Accessories have a 90 day warranty from date of purchase, including any antennas, chargers, or earphones. This warranty does not include the cost of labor for removal or re-installation of the product in a vehicle or other mounting. Performance of any obligation under this warranty may be obtained by returning the warranted product, prepaid freight, along with proof of purchase to:

**Midland Radio Corporation  
Warranty Service Department  
5900 Parretta Drive  
Kansas City, MO 64120**

This warranty gives you specific legal rights, and you may also have other rights, which vary from state to state.

Note : The above warranty applies only to merchandise purchased in the United States of America or any of the territories or possessions thereof, or from a U.S. Military exchange.

**Midland Radio Corporation  
5900 Parretta Drive  
Kansas City, MO 64120  
Tel: (816) 241-8500  
E-mail: [mail@midlandradio.com](mailto:mail@midlandradio.com)  
URL: [www.midlandradio.com](http://www.midlandradio.com)**



**GMRS  
RADIOS**



**MARINE  
RADIOS**



**EMERGENCY CRANK  
RADIOS**



**WEATHER  
RADIOS**



**CITIZEN BAND  
RADIOS**



**CHECK OUT THE OTHER GREAT MIDLAND PRODUCTS AT  
[www.midlandradio.com](http://www.midlandradio.com)**

## ACCESSORIES

Accessories can be purchased at [www.midlandradio.com](http://www.midlandradio.com) or fill in the form on the following page and mail it to our address.

### AVP-1



- 2 Over the Ear Mic. Headsets w/ PTT
- **\$19.99**

### AVP-H4



- 2 Ear Wrap Headset
- **\$39.99**

### AVP-H1



- 1 Open Face Helmet Microphone Kit
- **\$49.99**

### AVP-H5



- 2 Behind the Head Headset
- **\$39.99**

### AVP-H2



- 1 Closed Face Helmet Microphone Kit
- **\$49.99**

### AVP-7



- 2 Rechargeable battery packs
- **\$19.99**

### AVP-H3



- 2 Surveillance Headset
- **\$39.99**

**MIDLAND RADIO CORPORATION**

**5900 Parretta Drive  
Kansas City, MO 64120  
Call 816.241.8500**

***visit us at <http://www.midlandradio.com>***

**Note: Features & Specifications are subject to change without notice. MIDLAND is not responsible for unintentional errors or omissions on its packaging.**



# ACCESSORIES ORDER FORM

Please send Money Order or fill in Visa/MasterCard information and mail to the address below. Please **DO NOT** send cash or checks. Make Money Order to Midland Radio Corporation.



**Name:** \_\_\_\_\_

**Address:** \_\_\_\_\_

**City:** \_\_\_\_\_ **State** \_\_\_\_\_ **Zip Code** \_\_\_\_\_

**Tel:** \_\_\_\_\_ **email:** \_\_\_\_\_

**CC#** \_\_\_\_\_ **Type:** \_\_\_\_\_ **Exp.** \_\_\_\_\_

Qty	Item	Price	Total
	AVP-7	\$19.99	
	AVP-1	\$19.99	
	AVP-H1	\$49.99	
	AVP-H2	\$49.99	
	AVP-H3	\$39.99	
	AVP-H4	\$39.99	
	AVP-H5	\$39.99	

**Mail To:**  
 Midland Radio Corporation  
 Consumer Dept.  
 5900 Parretta Drive  
 Kansas City, MO 64120  
 -----  
 Or Call 816.241.8500.  
 -----  
 To order online go to  
**[www.midlandradio.com](http://www.midlandradio.com)**

Sub-Total \_\_\_\_\_

Tax (MO, CO, IL, FL only) \_\_\_\_\_

S & H \_\_\_\_\_ \$14.95

(Applies to Domestic U.S. only. For Hawaii, Alaska, and Puerto Rico S&H will be \$36.25 for 1lb and \$64.25 for 2lbs or more).

Total \$ \_\_\_\_\_





# NAUTICO<sup>TM</sup> 1

RADIO MARITIME VHF

Manuel du Proprietaire



[www.midlandradio.com](http://www.midlandradio.com)

<b>TABLE DES MATIÈRES</b>	2
<b>Introduction</b>	3
<b>Avis important, licence de la FCC</b>	4
<b>Affichage ACL</b>	5
<b>Réglages</b>	5
<b>Installation des piles</b>	6
<b>Installation de la pince de ceinture</b>	6
<b>Rechargement du bloc-piles optionnel</b>	7
<b>Fonctionnement de votre radio</b>	7 - 12
<b>Prise haut-parleur/micro externe</b>	12
<b>Guide de dépannage</b>	13
<b>Utilisation et entretien</b>	13
<b>Spécifications et tableau des fréquences</b>	14 -16
<b>Information sur la garantie</b>	17
<b>Famille de produits MIDLAND</b>	18
<b>Accessoires</b>	19
<b>Formulaires de Commande des Accessoires</b>	21



## **Bienvenue dans le monde de Midland electronics**

Nous vous félicitons d'avoir acheté un produit MIDLAND de qualité supérieure. Votre radio bidirectionnelle est le nec plus ultra dans le domaine de la haute technologie. Cet appareil compact, conçu pour l'utilisation du service de radio maritime VHF, ne lésine pas sur la performance. C'est un produit électronique de qualité, fabriqué de façon experte avec les meilleures composantes. Les circuits à semi-conducteurs sont montés sur une robuste carte de circuit imprimé. Votre radio bidirectionnelle est conçue pour fournir une performance fiable et sans problème pendant de nombreuses années.

### **Features**

- Canaux de radio maritime : 57 États-Unis / 61 Canada / 57 internationaux (regroupés par zone)
- eVOX
- Choix de tonalités d'APPEL
- Récepteur de bande météo (WX)
- Fonction BALAYAGE (SCAN)
- Fonction ÉCOUTE (MONITOR)
- Tonalité de message bien reçu
- Verrouillage du clavier
- Réglages puissance élevée/basse
- Prises haut-parleur/micro
- Indicateur de piles

Cet appareil est conforme à la partie 15 des règlements de la FCC. Son fonctionnement est sujet aux deux conditions suivantes : (1) cet appareil ne produit pas d'interférence nuisible, et (2) cette radio doit pouvoir accepter toute interférence susceptible de perturber son bon fonctionnement.

En conformité avec les directives de la FCC sur l'exposition RF, cette radio a été testée pour s'assurer que l'utilisateur puisse la porter et déclarée conforme aux directives de la FCC sur l'exposition RF quand elle est utilisée avec les accessoires de Midland Radio Corp., qu'ils soient inclus ou conçus pour ce produit. L'utilisation de tout autre accessoire pourrait ne pas être conforme aux directives de la FCC sur l'exposition RF.

Le NAUTICO1 fonctionne sur les fréquences du service de radio maritime VHF, en conformité avec les exigences de la Federal Communications Commission (FCC). Actuellement, les plaisanciers ne sont pas obligés d'avoir une licence de station radio pour bateau. La Garde côtière des États-Unis (USCG) recommande d'utiliser le numéro d'enregistrement du bateau et sa provenance (état ou province) dans l'indicatif d'appel.

## Licence de la FCC

Les bâtiments de moins de 20 mètres de long navigant dans les eaux des États-Unis ne sont pas obligés d'avoir une licence de station de bord. Par contre, tout bâtiment ayant l'obligation d'être équipé d'un radiotéléphone HF BLU ou d'un terminal satellite est obligé de se procurer une licence de station de bord. Vous pouvez télécharger un formulaire de demande de licence du FCC à partir du site [www.fcc.gov/forms](http://www.fcc.gov/forms). Vous pouvez aussi obtenir un formulaire en appelant la FCC au (888) 225-5322.

## Exposition à l'énergie des radiofréquences

Votre radio Midland est conçue pour être conforme aux normes et aux directives nationales et internationales suivantes sur l'exposition des êtres humains à l'énergie électromagnétique des radiofréquences :

- Federal Communications Commission des États-Unis, Code of Federal Regulations: 47 CFR part 2 sub-part J
- American National Standards Institute (ANSI)/Institute of Electrical & Electronic Engineers (IEEE) C95. 1-1992
- Institute of Electrical and Electronic Engineer (IEEE) C95. 1-1999 Edition
- National Council on Radiation Protection and Measurements (NCRP) des États-Unis, Report 86, 1986
- International Commission on Non-Ionizing Radiation Protection (ICNIRP) 1998

Pour restreindre votre exposition et assurer la conformité avec les limites d'exposition pour la population générale ou pour un environnement non contrôlé, ne laissez pas l'appareil en mode transmission plus de 50 % du temps. La radio génère de l'énergie RF quantifiable seulement en mode transmission.

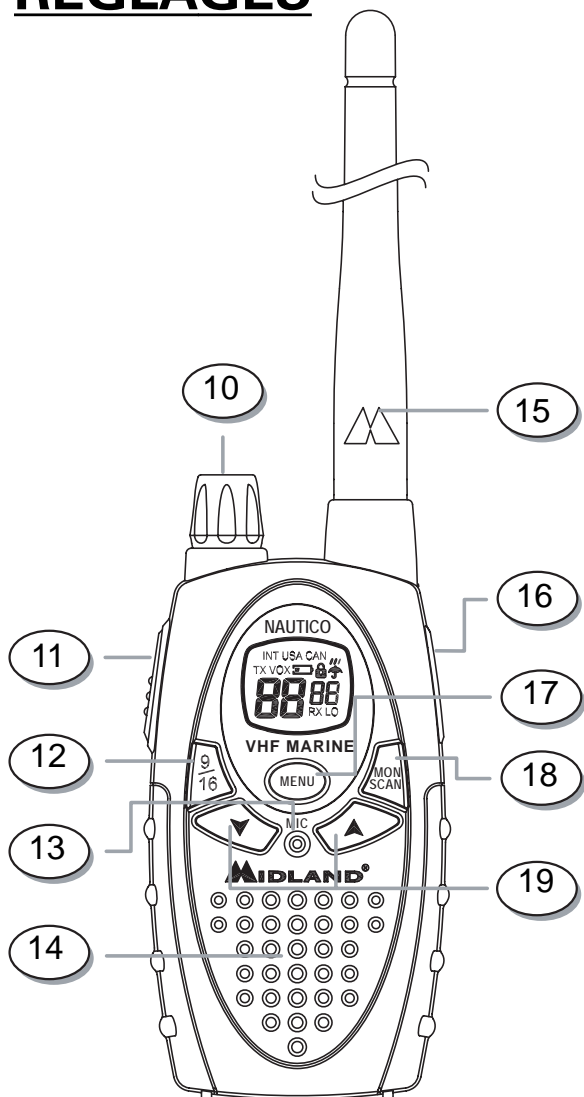
**IMPORTANT:** Des changements ou modifications non approuvés par **MIDLAND RADIO CORP.** apportés à ce produit, pourraient vous enlever le droit d'utiliser ce produit. Votre radio a été configurée pour transmettre un signal réglé sur une fréquence assignée. Il est contre la loi de modifier ou d'ajuster les configurations dans le COMMUNICATOR afin d'excéder ces limitations. Tout ajustement apporté à votre radio doit être effectué par des techniciens qualifiés.

## AFFICHAGE ACL



1. **ICÔNE DE eVOX** - Indique que le mode eVOX est actif
2. **ICÔNE DE TRANSMISSION (TX)** - Indique que la radio transmet un signal.
3. **ICÔNE DE PILES FAIBLES** - Indique que les piles sont faibles.
4. **NUMÉRO DE CANAL** - Varie de 1 à 88a sur la bande maritime VHF (de 1 à 10 sur la bande WX).
5. **ICÔNES DE CANAUX É-U/CAN/INT**
6. **ICÔNE DE VERROUILLAGE DU CLAVIER** - Indique que le mode VERROUILLAGE DU CLAVIER est actif.
7. **ICÔNE DE BANDE WX** - Indique que la radio est en mode bande météo.
8. **ICÔNE DE NIVEAU DE PUISSANCE DE TRANSMISSION (Hi / LO)** - Indique le réglage de puissance de transmission.
9. **ICÔNE DE RÉCEPTION (RX)** - Indique que la radio reçoit un signal.

## RÉGLAGES



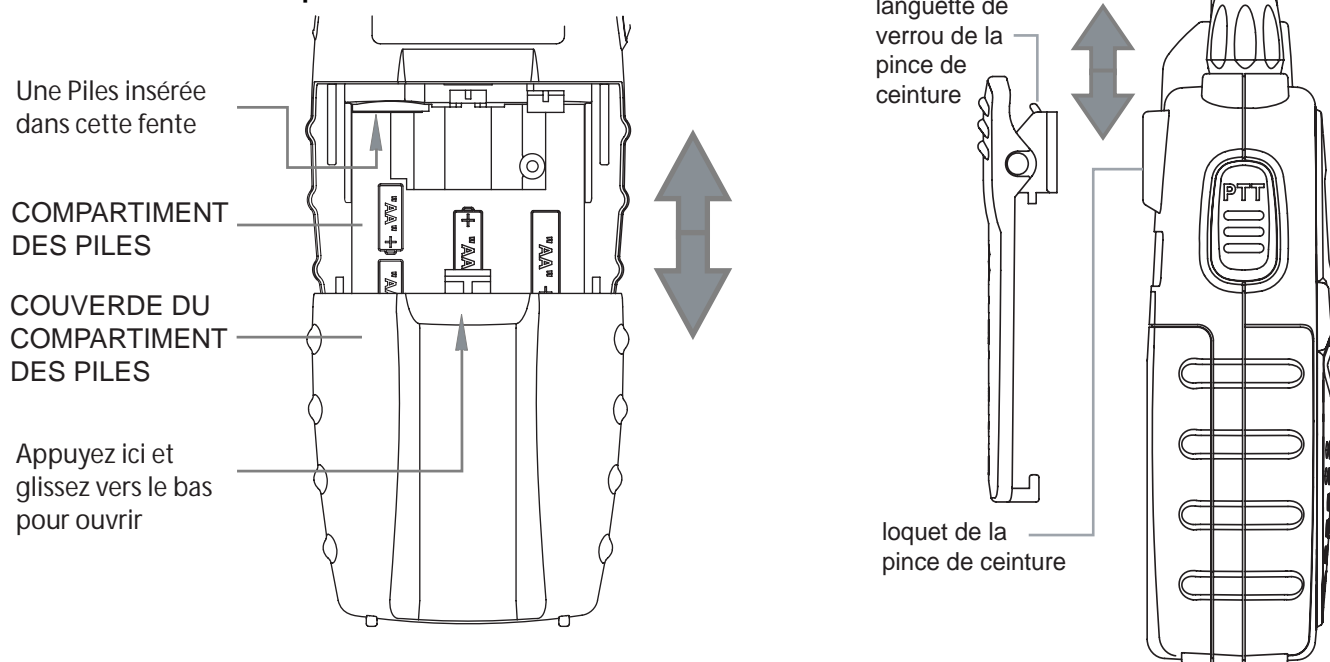
10. **BOUTON MARCHÉ/ARRÊT/VOLUME** - Tournez dans le sens des aiguilles d'une montre pour mettre l'appareil sous tension et augmenter le volume. Tournez dans le sens contraire des aiguilles d'une montre pour diminuer le volume et mettre l'appareil hors tension.
11. **Touche PTT** - Gardez-la enfoncée pour transmettre la communication vocale. Appuyez 2 fois rapidement pour envoyer une tonalité d'appel.
12. **Touche CH 9/16** - Appuyez pour accéder immédiatement au canal d'urgence 16. Gardez-la enfoncée pour accéder au canal 9.
13. **MIC** - Micro intégré.
14. **HAUT-PARLEUR** - Haut-parleur intégré.
15. **ANTENNE**
16. **PRISE HAUT-PARLEUR/MICRO EXTERNE**
17. **Touche MENU** - Appuyez pour accéder au mode MENU. Gardez-la enfoncée pour passer en mode récepteur de bande météo.
18. **Touche ÉCOUTE/BALAYAGE (MONITOR/SCAN)** - Appuyez pour passer en mode BALAYAGE. Gardez-la enfoncée pour passer en mode ÉCOUTE
19. **Touches HAUT/BAS** - Pour faire des réglages en mode MENU.

## INSTALLATION DES PILES

Votre radio NAUTICO1 fonctionne avec des piles alcalines 4 AA ou un bloc-piles NiMH optionnel. En enlevant la pince de ceinture (voir ci-dessous), il sera plus facile d'installer ou d'enlever les piles.

Installation des piles:

1. Tenez la radio pour que l'envers soit face à vous, puis enlevez la pince de ceinture (voir le diagramme ci-dessous) pour faciliter l'accès au compartiment des piles. Enlevez le couvercle du compartiment en poussant au centre de sa partie supérieure pour le faire glisser vers le bas de la radio.
2. Insérez 4 piles AA en respectant la polarité indiquée. L'installation incorrecte des piles empêchera la radio de fonctionner ou peut l'endommager.
3. Remettez le couvercle du compartiment sur la radio en le glissant vers le haut. Remplacez la pince de ceinture; assurez-vous qu'elle s'emboîte dans son emplacement.



## INSTALLATION DE L'ATTACHE DE CEINTURE

Pour installer la **PINCE DE CEINTURE**, glissez la pince vers le bas dans la fente au dos de la radio jusqu'à ce que le **LOQUET DE LA PINCE DE CEINTURE** produise un clic. Pour enlever la **PINCE DE CEINTURE**, appuyez sur la **LANGUETTE DE VERROU**, puis tirez doucement la pince de ceinture vers le haut de la radio.

## OPTIONNEL : CHARGEUR ET PILES RECHARGEABLES

Avec votre NAUTICO1, vous pouvez utiliser un bloc-piles NiMH rechargeable, offert en option (inclus), qui peut être rechargé avec un chargeur AC ou DC (inclus) Le temps de charge initial est de 24 heures avec un temps de rechargement de 8 à 12 heures par la suite. Pour obtenir une autonomie optimale, nous recommandons de recharger le Nautico1 dès que l'indicateur de piles faibles apparaît. Retirez la radio du chargeur quand le temps de rechargement est terminé.

### **Rechargement avec le chargeur AC ou DC optionnel :**

1. Placez le bloc-piles NiMH rechargeable dans la radio.
2. Branchez l'adaptateur AC dans une prise murale AC.
3. Insérez la prise de l'adaptateur AC (ou de l'adaptateur d'allume-cigare DC si vous rechargez dans un véhicule) dans la prise du chargeur sur le côté de la radio.



1. Utilisez uniquement notre pack de piles NiMH.
2. N'essayez pas de recharger des piles alcalines ou tout autre piles ou packs de piles autres que celui indiqué dans le manuel. Ceci pourrait causer des fuites et endommager la radio.
3. Si vous n'utilisez pas la radio pendant une longue durée, ETEIGNEZ la radio et enlevez les piles de la radio.

## FONCTIONNEMENT DE VOTRE RADIO

### MARCHE/ARRÊT ET VOLUME

Tournez le bouton **MARCHE/ARRÊT/VOLUME** dans le sens des aiguilles d'une montre pour mettre la radio sous tension et augmenter le volume. Tournez le bouton dans le sens contraire des aiguilles d'une montre pour diminuer le volume et mettre la radio hors tension. Lors de la mise sous tension, la radio émettra 3 bips de tonalités différentes, l'ACL affichera le message "**self-test**" pendant 1 seconde et l'affichage ACL indiquera le dernier canal sélectionné.

## **TRANSMISSION ET RÉCEPTION**

1. Pour transmettre un appel, tenez la radio entre 5 et 7,5 centimètres de votre bouche.
2. Gardez la touche PTT enfoncée et parlez d'une voix normale dans le micro. L'icône TX apparaîtra continuellement sur l'affichage ACL lors de la transmission.
3. Pour recevoir un appel, relâchez la touche PTT. L'icône RX apparaîtra sur l'affichage lors de la réception.

## **EN CAS D'URGENCE**

Si votre navire requiert du secours, contactez les autres navires et la Garde côtière en envoyant un appel de détresse sur le canal 16.

### **○ UTILISATION DU CANAL 16**

#### **PROCÉDURE D'APPEL DE DÉTRESSE**

1. "MAYDAY MAYDAY MAYDAY."
2. "ICI ....." (nom du navire)
3. Votre indicatif d'appel ou le nom de votre navire.
4. "POSITION : ....." (votre position)
5. La nature de la détresse et les secours demandés.
6. Tout autre renseignement qui peut faciliter les secours.

## **AU SUJET DE LA PORTÉE**

Votre radio NAUTICO1 est conçue pour atteindre une portée maximale dans des conditions optimales.

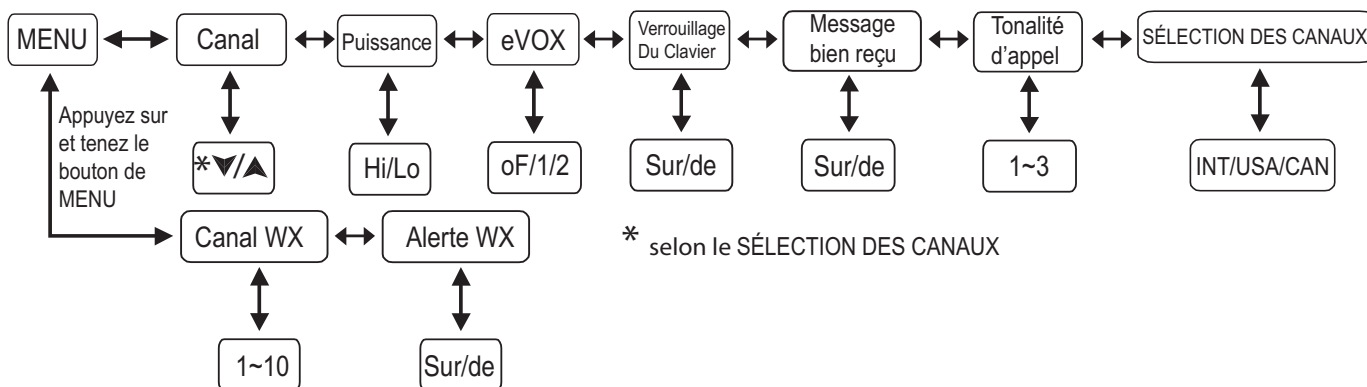
Les conditions optimales sont :

- au-dessus de l'eau
- en région rurale avec terrain découvert et sans obstacles
- les terrains plats où vous apercevez l'autre personne

Pour obtenir la portée maximale :

- assurez-vous d'utiliser des piles neuves ou pleinement chargées - des piles faibles créeront une situation de puissance basse
- assurez-vous de régler la radio à la puissance élevée.

## GUIDE DE RÉFÉRENCE RAPIDE DU NAUTICO1



### ÉCOUTE

Si vous gardez la touche **ÉCOUTE (MONITOR)** enfoncée pendant 1 seconde lorsque la radio ne reçoit pas de signal, la radio émettra du bruit qui vous permettra d'ajuster le volume. Vous devriez faire cette procédure pour vérifier l'activité sur votre canal actuel avant une transmission. Appuyez puis relâchez la touche **Écoute (MONITOR)** pendant 1 seconde pour arrêter le mode **Écoute**.

### BALAYAGE

Votre NAUTICO1 peut balayer tous les canaux pour détecter ceux qui sont actifs. Pour passer en mode balayage, appuyez brièvement sur la touche **BALAYAGE (SCAN)**. Répétez cette procédure pour arrêter ce mode. Votre radio balayera rapidement chacun des canaux et s'arrêtera sur tout canal actif pendant 5 secondes avant de reprendre le balayage. Lorsque vous appuyez sur la touche **PTT** pour transmettre sur un canal actif, le balayage arrête et la radio sélectionne le canal actif. Pour reprendre le balayage, appuyez brièvement sur la touche ▼/▲.

### ACCÈS INSTANTANÉ 9/16

Le canal 16 (canal des urgences) est utilisé pour appeler d'autres stations ou pour émettre un message de détresse. Vous devez rester à l'écoute du canal 16 si vous l'utilisez. Vous devez utiliser le canal 16 uniquement lors de situations d'urgence. Pour accéder au canal 9, le canal des activités de plaisance, sans abandonner votre canal normal, vous n'avez qu'à garder la touche **CH9/16** enfoncée pendant 1 seconde. Si vous appuyez sur la touche **CH9/16** à nouveau, la radio reprendra son réglage de canal normal.

### TONALITÉ D'APPEL

Votre NAUTICO1 peut transmettre une tonalité d'appel pendant une durée de temps déterminée. Pour transmettre une tonalité d'appel, appuyez 2 fois sur la touche **PTT** en-dedans de 1/2 seconde. L'icône **TX** apparaîtra lors de la transmission d'une tonalité d'appel et une tonalité sera émise sur le haut-parleur pour confirmer la transmission.

## VERROUILLAGE DU CLAVIER

Pour éviter de changer accidentellement le réglage de la radio, appuyez 4 fois sur la touche **MENU** puis appuyez sur la touche haut/bas pour sélectionner ON. L'icône **VERROUILLAGE DU CLAVIER** apparaîtra sur l'affichage. Les touches **PTT** et **CH16** demeureront déverrouillées. Pour déverrouiller le clavier, appuyez une fois sur la touche **MENU**, puis appuyez sur la touche ▼/▲ pour sélectionner "**oF**".

## ÉCLAIRAGE DE L'AFFICHAGE

Pendant la mise sous tension, l'affichage sera éclairé pendant environ 7 secondes. L'affichage peut également être éclairé en appuyant sur la touche **MENU**.

## SÉLECTION DU CANAL

Appuyez 1 fois sur la touche **MENU** puis sur les touches ▼/▲ pour sélectionner un canal. Pour confirmer la sélection, appuyez sur la touche **PTT** ou appuyez à nouveau sur **MENU** pour passer au prochain réglage de fonction.

## SÉLECTION DU NIVEAU DE PUISSANCE DE TRANSMISSION (TX)

Le NAUTICO1 possède 2 réglages de niveau de puissance de transmission. Pour sélectionner le niveau de puissance des canaux, appuyez 2 fois sur la touche **MENU**; l'icône "Pr" clignotera sur l'affichage. Appuyez ensuite sur la touche ▼/▲ pour sélectionner l'icône **NIVEAU DE PUISSANCE DE TRANSMISSION (Hi / LO)**. L'icône TX disparaît lorsque le niveau Hi est sélectionné. Pour confirmer, appuyez sur la touche **PTT** ou appuyez à nouveau sur **MENU** pour passer au prochain réglage de fonction.

## eVOX (transmission mains libres)

Votre NAUTICO1 possède 2 réglages de niveau **eVOX: (oF/1/2)**. Pour configurer le **eVOX**, appuyez 3 fois sur la touche **MENU**. Sur l'affichage, "**eVOX**" clignotera et l'icône "**oF**" apparaîtra à la droite du **NUMÉRO DE CANAL**. Sélectionnez "**1**" ou "**2**" en appuyant sur les touches ▼/▲ et appuyez sur la touche **PTT**, ou appuyez à nouveau sur **MENU** pour passer au prochain réglage de fonction.

**eVOX** sera plus sensible au réglage "**2**" qu'au réglage "**1**".

Pour désactiver **eVOX**, appuyez 3 fois sur la touche **MENU**. "**VOX**" clignotera sur l'affichage. Sélectionnez "**oF**" en appuyant sur les touches ▼/▲ et appuyez sur la touche **PTT**, ou appuyez à nouveau sur **MENU** pour passer au prochain réglage de fonction.



## TONALITÉ DE MESSAGE BIEN REÇU (fin de transmission)

Lorsque vous relâchez la touche **PTT**, la radio émet un bip pour confirmer aux autres utilisateurs que votre transmission est terminée. Pour activer la tonalité de **MESSAGE BIEN REÇU**, appuyez sur la touche **MENU** jusqu'à ce que l'icône "**rb**" apparaisse sur l'affichage avec l'icône "**oF**" à sa droite. Sélectionnez "**on**" en appuyant sur les touches ▼/▲ et appuyez sur la touche **PTT**, ou appuyez à nouveau sur **MENU** pour passer au prochain réglage de fonction.

Pour désactiver la tonalité de **MESSAGE BIEN REÇU**, appuyez sur la touche **MENU** jusqu'à ce que l'icône "**rb**" apparaisse sur l'affichage avec l'icône "**on**" à sa droite. Sélectionnez "**oF**" en appuyant sur les touches ▼/▲ et appuyez sur la touche **PTT**, ou appuyez à nouveau sur **MENU** pour passer au prochain réglage de fonction.

## SÉLECTION DES CANAUX É-U/CAN/INT

La sélection de canal du NAUTICO1 peut être modifiée pour être conforme aux règles états-uniennes, canadiennes ou internationales. Appuyez sur la touche **MENU** jusqu'à ce que l'icône du canal actuel (**USA, CAN, INT**) clignote. Sélectionnez un canal différent en appuyant sur les touches ▼/▲ jusqu'à ce que l'icône désirée apparaisse. Confirmez en appuyant sur la touche **PTT** ou sur **MENU**.

## SÉLECTION DE LA TONALITÉ D'APPEL

Votre NAUTICO1 vous permet de choisir parmi 3 **TONALITÉS D'APPEL**. Pour faire la sélection, appuyez 6 fois sur la touche **MENU**; l'icône "**CA**" apparaîtra avec la **TONALITÉ D'APPEL** actuelle affichée à sa droite. Appuyez ensuite sur les touches ▼/▲ pour sélectionner une **TONALITÉ D'APPEL** - la radio émettra la tonalité correspondant à chaque sélection. Pour confirmer, appuyez sur la touche **PTT** ou appuyez à nouveau sur **MENU** pour passer au prochain réglage de fonction.

## RÉCEPTEUR DE BANDE MÉTÉO (WX)

Votre NAUTICO1 possède une fonction **RÉCEPTEUR DE BANDE MÉTÉO (WX)** qui vous permet de recevoir les bulletins et alertes météo de stations **NOAA** désignées. Pour mettre en marche le **RÉCEPTEUR MÉTÉO (WX)**, gardez la touche **MENU** enfoncée pendant 3 secondes. Le **CANAL WX** et l'icône **BANDE WX** actuels apparaîtront sur l'affichage. Appuyez sur la touche **MENU** et sur les touches ▼/▲ pour sélectionner un des 10 canaux de la **BANDE WX**. Pour confirmer, appuyez sur la touche **PTT** ou appuyez à nouveau sur **MENU** pour passer au prochain réglage de fonction. Pour éteindre le **RÉCEPTEUR MÉTÉO (WX)**, gardez la touche **MENU** enfoncée pendant 3 secondes. Le réglage actuel de la radio sera affiché et l'icône **BANDE WX** disparaîtra.

## LE TEMPS (WX) ALERTE

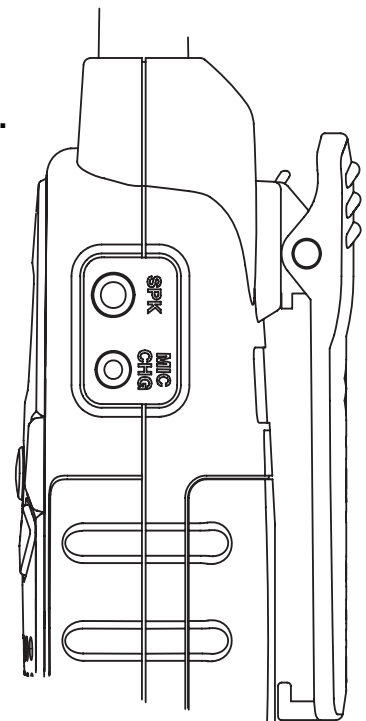
Votre NAUTICO1 a un **TEMPS (WX)** la fonction VIVE, rendre capable l'utilisateur automatiquement pour recevoir l'alerte de temps des stations de **NOAA** désignées. Pour tourner le **TEMPS (WX)** VIF sur, appuyer le bouton de **MENU** deux fois pendant que dans la Bande de **WX**. L'exposition montre "**AL**", pendant que sur la droite un "**oF**" icône apparaît clignoter. Choisir "**on**" en appuyant les ▼/▲ boutons. Pour confirmer, appuyer le bouton de **PTT** ou le **MENU** de presse. Le radio retournera à la **BANDE DE WX** et l'icône de **BANDE DE WX** continuera à clignoter. Si le radio reçoit un WX le signal VIF d'une station de NOAA désignée pendant que sur la Bande **MARINE**, le radio sonnera pour de 10 seconde pendant qu'un "**AL**" et "**In**" l'icône apparaît sur l'exposition, après lequel ira automatiquement à la **BANDE DE WX**. Si n'importe quel bouton est appuyé pendant sonner pendant que sur la Bande **MARINE**, le radio ira automatiquement à la **BANDE DE WX**.

Pour tourner le **TEMPS (WX)** VIF de, appuyer le bouton de **MENU** deux fois pendant que dans la **BANDE DE WX**. L'exposition montre "**AL**", pendant que sur la droite un "**on**" l'icône apparaît clignoter. Choisir "**oF**" en appuyant les ▼/▲ boutons. Pour confirmer, appuyer le bouton de **PTT** ou le **MENU** de presse.

## PRISE HAUT-PARLEUR/MICRO EXTERNE

Vous pouvez utiliser votre NAUTICO1 avec un haut-parleur/micro externe ou un casque d'écoute (offerts en option) pour une utilisation mains libres. Utilisation du haut-parleur/micro ou du casque d'écoute (offerts en option) :

- Insérez la ou les fiches dans les prises **SPK/MIC**.
- Placez l'écouteur dans votre oreille et ajustez le volume du micro.



## GUIDE DE DÉPANNAGE

### PROBLÈME

### SOLUTION

Pas d'alimentation	- Vérifiez l'installation des piles et/ou changez les piles.
Impossible de recevoir des messages	- Vérifiez que les radios transmettent sur le même canal. - Assurez-vous de ne pas être hors de portée des autres émetteurs-récepteurs. - Des édifices et d'autres structures peuvent causer de l'interférence dans votre communication. <b>(Consultez AU SUJET DE LA PORTÉE en page 8)</b>
Rien ne se produit lorsque vous appuyez sur les touches.	- Assurez-vous que le clavier n'est pas verrouillé. Consultez VERROUILLAGE DU CLAVIER en page 10. - Vous devez peut-être réinitialiser la radio. Éteignez puis rallumez la radio.
L'affichage est faible	- Rechargez ou remplacez les piles.
Le chargeur ne fonctionne pas	- Assurez-vous que le chargeur est branché dans une prise de courant qui fonctionne. - Vérifiez que le bloc-piles est correctement installé dans la radio.

## UTILISATION ET ENTRETIEN

1. Utilisez un chiffon doux et humide pour nettoyer la radio.
2. **N'utilisez pas** d'alcool ou de produits nettoyants pour nettoyer la radio.
3. **Ne plongez pas** la radio dans l'eau.
4. Si la radio est mouillée, séchez-la avec un chiffon sec non pelucheux.
5. Éteignez la radio et enlevez les piles si vous la remisez pour une longue période de temps.

**Lorsque vous rencontrez un problème, veuillez d'abord appeler et parler à un technicien en entretien avant de faire réparer votre appareil. Plusieurs problèmes peuvent être réglés par téléphone sans que vous ayez à retourner l'appareil pour le faire réparer.**

## SPÉCIFICATIONS

**Canaux** 57 US, 61 CAN, 57 INT  
10 canaux de la bande météo (WX)

**Fréquence de fonctionnement** VHF 156.025 ~ 162.550 MHz

**Source d'alimentation** 4 piles alcalines AA ou un bloc-piles NiMH rechargeable 6.0V

### **TABLEAU DE FREQUENCES (RADIO MARITIME VHF) DE CANAUX**

Numéro du canal			Fréquence (MHz)		MODE	NOTE
INT	CAN	ÉU	TX	RX		
01	01		156.050	160.650	D	
		01A	156.050	156.050	S	
02	02		156.100	160.700	D	
03	03		156.150	160.750	D	
04			156.200	160.800	D	
	04A		156.200	156.200	S	
05			156.250	160.850	D	
	05A	05A	156.250	156.250	S	
06	06	06	156.300	156.300	S	
07			156.350	160.950	D	
	07A	07A	156.350	156.350	S	
08	08	08	156.400	156.400	S	
09	09	09	156.450	156.450	S	
10	10	10	156.500	156.500	S	
11	11	11	156.550	156.550	S	
12	12	12	156.600	156.600	S	
13	13	13	156.650	156.650	S	
14	14	14	156.700	156.700	S	
15	15		156.750	156.750	S	*
		15		156.750	R	
16	16	16	156.800	156.800	S	
17	17	17	156.850	156.850	S	*
18			156.900	161.500	D	
	18A	18A	156.900	156.900	S	
19			156.950	161.550	D	

Numéro du canal			Fréquence (MHz)		MODE	NOTE
INT	CAN	ÉU	TX	RX		
	19A	19A	156.950	156.950	S	
20	20*	20	157.000	161.600	D	
21			157.050	161.650	D	
	21A	21A	157.050	157.050	S	
	21B			161.650	R	
22			157.100	161.700	D	
	22A	22A	157.100	157.100	S	
23	23		157.150	161.750	D	
		23A	157.150	157.150	S	
24	24	24	157.200	161.800	D	
25	25	25	157.250	161.850	D	
26	26	26	157.300	161.900	D	
27	27	27	157.350	161.950	D	
28	28	28	157.400	162.000	D	
60	60		156.025	160.625	D	
61			156.075	160.675	D	
	61A		156.075	156.075	S	
62			156.125	160.725	D	
	62A		156.125	156.125	S	
63			156.175	160.775	D	
		63A	156.175	156.175	S	
64	64		156.225	160.825	D	
	64A		156.225	156.225	S	
65			156.275	160.875	D	
	65A	65A	156.275	156.275	S	
66			156.325	160.925	D	
	66A*	66A	156.325	156.325	S	
67	67	67	156.375	156.375	S	
68	68	68	156.425	156.425	S	
69	69	69	156.475	156.475	S	
70	70	70		156.525	R	**
71	71	71	156.575	156.575	S	
72	72	72	156.625	156.625	S	

Numéro du canal			Fréquence (MHz)		MODE	NOTE
INT	CAN	ÉU	TX	RX		
73	73	73	156.675	156.675	S	
74	74	74	156.725	156.725	S	
75			156.775	156.775	S	*
76			156.825	156.825	S	*
77	77*	77*	156.875	156.875	S	
78			156.925	161.525	D	
	78A	78A	156.925	156.925	S	
79			156.975	161.575	D	
	79A	79A	156.975	156.975	S	
80			157.025	161.625	D	
	80A	80A	157.025	157.025	S	
81			157.075	161.675	D	
	81A	81A	157.075	157.075	S	
82			157.125	161.725	D	
	82A	82A	157.125	157.125	S	
83	83		157.175	161.775	D	
	83A	83A	157.175	157.175	S	
84	84	84	157.225	161.825	D	
85	85	85	157.275	161.875	D	
86	86	86	157.325	161.925	D	
	87		157.375	161.975	D	
87			157.375	157.375	S	
	88		157.425	162.025	D	
88		88A	157.425	157.425	S	

**S** = Simplex ; **D** = Duplex ; \* = puissance de transmission basse de 1 Watt obligatoire  
 \*\* = réservé aux communications DSC

**TABLEAU DE FREQUENCES RADIOS DE NOAA METEO (WX) (MHz)**

CH. No	CH. Freq.	CH. No	CH. Freq.
1	162.550	6	162.500
2	162.400	7	162.525
3	162.475	8	161.650
4	162.425	9	161.775
5	162.450	10	163.275

\* Les canaux 8, 9 et 10 utilisent les fréquences désignées de la Marine canadienne.

## **GARANTIE LIMITÉE**

Midland Radio Corporation se réserve le choix de réparer ou de remplacer, sans frais supplémentaires, tout émetteur-récepteur Midland VHF MARINE présentant un vice de matériau ou de fabrication pendant les trois premières années suivant l'achat du produit par le consommateur initial. Cette garantie devient nulle si l'appareil est endommagé par l'eau, l'écoulement des piles ou les mauvais traitements.

Cette garantie n'inclut pas les étuis, les mallettes de transport, les écouteurs ni les antennes, qui peuvent faire partie du produit garanti ou être inclus avec lui, et n'inclut pas les frais de main-d'oeuvre pour enlever ou réinstaller le produit dans un véhicule ou ailleurs. Vous pouvez vous prévaloir de cette garantie en retournant le produit garanti, port payé, avec la preuve d'achat, à :

**Midland Radio Corporation  
Warranty Service Department  
5900 Parretta Drive  
Kansas City, MO 64120**

Bien que cette garantie vous confère des droits légaux précis, il se peut que vous jouissiez d'autres droits, lesquels varient selon le pays et la juridiction. Note : la garantie décrite ci-dessus s'applique uniquement aux produits achetés aux États-Unis d'Amérique, ou dans ses territoires et possessions ou ceux obtenus par un échange militaire avec les États-Unis.

**Midland Radio Corporation  
5900 Parretta Drive  
Kansas City, MO 64120  
Tél: (816) 241-8500  
Courriel: [mail@midlandradio.com](mailto:mail@midlandradio.com)  
Site Web: [www.midlandradio.com](http://www.midlandradio.com)**



*Radios de  
GMRS*



*Radios  
Marins*



*Le Radio de  
Manivelle d'urgence*



*Radios  
Météorologiques*



*Radios de  
bande CB*



*PAYER LA NOTE LES AUTRES GRANDS PRODUITS DE MIDLAND A  
[www.midlandradio.com](http://www.midlandradio.com)*



## ACCESSOIRES

Vous pouvez vous procurer les accessoires sur le site [www.midlandradio.com](http://www.midlandradio.com)

### AVP-1



- 2 Casques Microphones w/ PTT
- **\$19.99**

### AVP-H4



- 2 Casques contour d'oreille
- **\$39.99**

### AVP-H1



- 1 Kit de casque ouvert avec microphone
- **\$49.99**

### AVP-H5



- 2 Casques derrière la tête
- **\$39.99**

### AVP-H2



- 1 Kit de casque fermé avec microphone
- **\$49.99**

### AVP-7



- 2 Packs de piles rechargeables
- **\$19.99**

### AVP-H3



- 2 Casques de surveillance
- **\$39.99**

**MIDLAND RADIO CORPORATION**

**5900 Parretta Drive  
Kansas City, MO 64120  
Tél 816.241.8500**

***Visitez notre site sur <http://www.midlandradio.com>***

**Information: Les Caractéristiques & Spécifications peuvent être modifiées sans communication des modifications. MIDLAND n'est pas responsable pour des erreurs non intentionnelles ou des omissions sur les emballages.**

# FORMULAIRE DE COMMANDE DES ACCESSOIRES

Veillez envoyer un Mandat Bancaire ou remplissez les informations concernant les cartes Visa/MasterCard et envoyez le formulaire à l'adresse ci-dessous. Veuillez **NE PAS** envoyer de liquide ou de chèque. Ecrivez le Mandat Bancaire à l'ordre de Midland Radio Corporation.

**Nom:** \_\_\_\_\_

**Adresse:** \_\_\_\_\_

**Ville:** \_\_\_\_\_ **Etat** \_\_\_\_\_ **Code Postal** \_\_\_\_\_

**Tél:** \_\_\_\_\_ **courriel:** \_\_\_\_\_

**CC#** \_\_\_\_\_ **Type:** \_\_\_\_\_ **Exp.** \_\_\_\_\_

Quantité	Produit	Prix	Total
	AVP-7	\$19.99	
	AVP-1	\$19.99	
	AVP-H1	\$49.99	
	AVP-H2	\$49.99	
	AVP-H3	\$39.99	
	AVP-H4	\$39.99	
	AVP-H5	\$39.99	

**Envoyez à:**  
 Midland Radio Corporation  
 Consumer Dept.  
 5900 Parretta Drive  
 Kansas City, MO 64120  
 -----  
 Ou appelez le 816.241.8500.  
 -----  
 Pour commander en ligne :  
**[www.midlandradio.com](http://www.midlandradio.com)**

Sous Total \_\_\_\_\_

Taxe (MO, CO, IL, FL uniquement) \_\_\_\_\_

S & H \_\_\_\_\_ \$14.95

(Applique aux Etats-Unis Domestiques  
 Seulement. Pour Hawaii, Alaska, et Puerto  
 Rico, le S&H sera \$36.25 pour 1 livre et  
 \$64.25 pour 2 livres et en haut.

Total \$ \_\_\_\_\_

