

CB-1 | CB Radio



CB-1 | CB Radio



© Midland Radio Corporation
5900 Parretta Drive
Kansas City, MO 64120
www.MidlandRadio.com

OWNER'S MANUAL

Table of Contents

Welcome to the World of Midland Electronics	2
How to install your Midland mobile CB	2
Installation and Operating Accessories Included	3
Where to Locate your CB Transceiver	3
Mechanical Mounting	3
Power Wiring (negative ground only).....	4
Installation of Microphone Hanger	4
Antenna:	
Selection	4
Installation.....	5
Tuning	5
Range	5
Noise	5
Operating Controls	6
Back Panel	7
Transceiver Operation.....	7
Technical Specifications	
General	8
Receiver.....	8
Transmitter.....	8
Service	9
Limited Warranty	10
Other Midland Products	35

Welcome to the World of Midland Electronics

Congratulations on your purchase of a state-of-the-art mobile CB radio. In the years ahead, you can expect to realize time and again why Midland holds the front running position among CB users everywhere. You will come to know that Midland power is more than just a slogan, but the heading of a long list of benefits. As your Midland CB experience unfolds and grows, we hope you will remember that CB is only one kind of electronic excellence available under the Midland name.

Your 40 channel CB represents the state of the art in high tech engineering. The unit incorporates microprocessor controlled PLL circuitry for precise tuning.

How to Install your Midland Mobile CB

This transceiver may be installed in any 12-volt negative ground-system car or truck. Most current U.S. and foreign vehicles use a negative system, but some older models and some newer large trucks may have a positive ground.

Check the requirements for your vehicle before you begin installation.

Generally, you have a negative-ground system if the minus (-) battery terminal is connected to the motor block. Contact your dealer in the event you are unable to determine your vehicle's polarity system.

Accessories Included

1. Easy removal mounting bracket system.
2. Microphone bracket system.
3. All main-unit and microphone mounting hardware needed for normal installation.
4. Plug-in microphone with coil cord.
5. FCC part 95, Subpart D.
6. Owner's Manual.

Where to Locate your CB Transceiver

Your new Midland CB is designed to be installed under the dash or vertically on a console of your vehicle. Safety and convenience are the primary considerations in deciding exactly where to locate your radio.

Caution: Be sure that the unit is located so that it does not interfere with the driver, supplemental restraint systems (air bags) or impair access to any controls. Connecting cables must be routed and secured in such a manner as not to interfere with the operation of the brake, accelerator or other controls. Interference from either the unit or connecting cables may contribute to the loss of control of the vehicle.

Mechanical Mounting

1. Heeding the caution, use the mounting bracket as a template for marking the location of screw holes under the dash. Use an awl, nail or other sharp pointed object to mark the hole locations.
2. Drill a 1/8" hole for each screw hole in the mounting bracket. Attach the bracket to the dash with the Phillips head sheet metal screws provided.
Extreme care should be exercised when drilling into the dash to avoid damage to under-dash electronic ignition, cruise control, instrument and / or accessory wiring.
3. Position the main unit between the bracket arms in line with the retention knobs. Set the angle for optimum operating, comfort and accessibility.
4. Tighten the retention knobs.

Power Wiring (negative ground only)

1. If you have not determined whether your vehicle has a negative or positive ground, do so now. Then disconnect the negative lead from the battery to prevent short circuits that can occur during wiring. Do not connect this transceiver to positive ground electrical systems.
2. With negative ground
 - A. Connect the positive (RED WIRE) the one with in-line fuse holder to either the (a) fuse block, (b) cigarette lighter, or (c) directly to the positive post on your battery. Usually, the fuse block is the most convenient connecting point. It is also possible to connect to the Accessory terminal on the fuse block or ignition switch, so that your CB automatically goes off when the ignition goes off.
 - B. Tightly connect the ground (BLACK WIRE) directly to the vehicle's metal frame. A good direct metal-to-metal ground is essential for optimum performance. Installations using the cigarette lighter socket for power require an extra ground wire from the radio chassis to the vehicle if the radio is not fastened to a grounded part of the vehicle.

Installation of Microphone Hanger

Mounting holes are provided on the microphone hanger bracket. The bracket can be attached to the vehicle dash, the holes provided on the left side of the radio, or other convenient location.

Antenna

You can choose from two types of mobile CB antennas: full-length whip and loaded whip - and a variety of mounts (depending on where you locate your antenna). The dealer who sold you your Midland CB can advise which type is best for you.

Where you locate your antenna does make a difference.

Some general rules for antenna location that can aid CB performance:

1. Put your mount as high on the vehicle as possible.
The higher the proportion of antenna length that is above the roof, the better.
2. If possible, mount the antenna in the center of whatever surface you choose.
3. Keep antenna cables away from noise sources, such as the ignition system, gauges, etc.
4. Make sure you have a solid metal-to-metal ground.
5. Exercise care to prevent cable damage.

Essentially, you have five location choices: the roof, gutter, rear deck, front cowl or rear bumper. Where you decide to locate your antenna will determine the type of antenna you install. Consult your Midland CB dealer for advice and guidance, and measure your needs against the attributes of the various Midland antenna models they carry.

Antenna Installation

Follow the manufacturer's installation instructions carefully.

Warning: Never operate your CB radio without attaching an antenna or with a broken antenna cable. This will result in damage to transmitter circuitry.

Safety notice: The antenna used for this radio must be installed to provide a separation distance of at least 8 in. (20cm) from all persons and must not be co-located or operating in conjunction with any other antenna or transmitter.

Tuning Your Antenna

Some antennas are factory tuned. However, performance can usually be improved by slightly lengthening or shortening the antenna using a Standing Wave Ratio (SWR) meter. For the exact procedures to be used, refer to the antenna manufacturer's installation manual.

You can buy an SWR meter separately or have your antenna checked by your Midland CB Dealer's service department.

Factors affecting CB range

Essentially, they are the same influences that optimize or limit AM and FM broadcast signals.

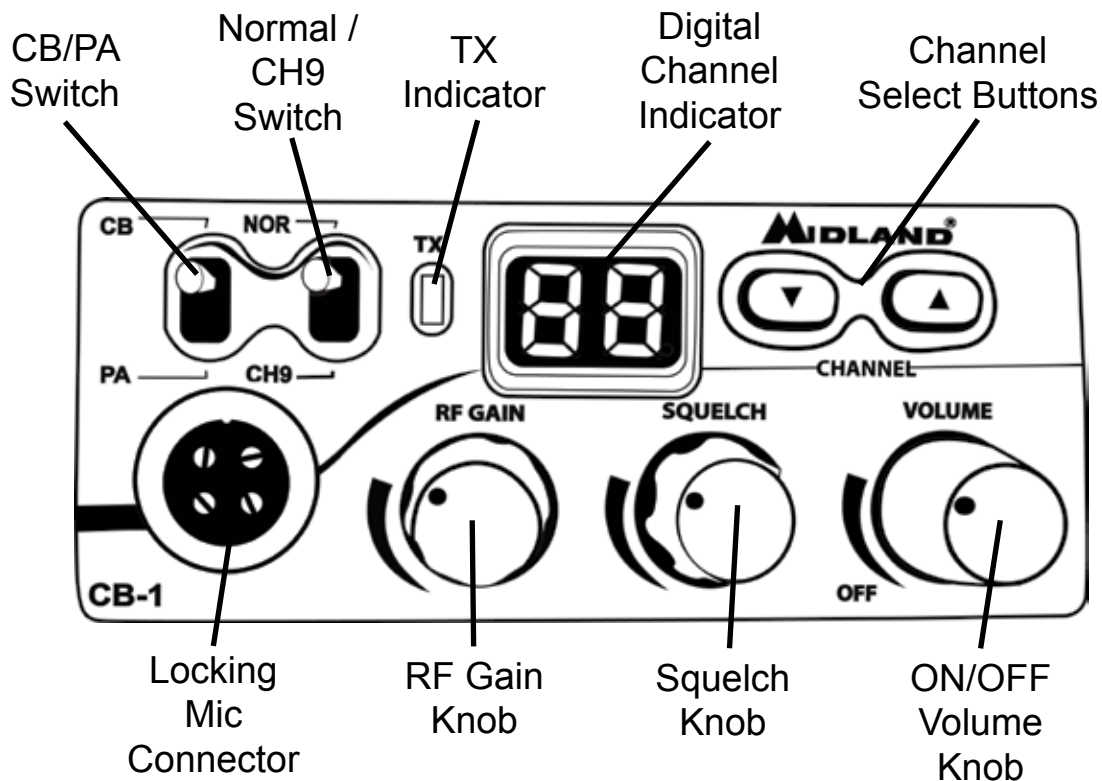
Terrain: Hills, valleys and buildings naturally interrupt and shorten CB signals. In short, anything that is between you and the person you want to talk to can shorten your CB range. You can expect to maintain maximum transmitting/receiving performance in flat, open country.

Weather: You can expect that CB range will be reduced – perhaps drastically – in times of atmospheric disturbance, such as in a thunderstorm or heavy snow. Sunspots too are known to adversely affect CB performance.

Noise

A common source of excessive noise is the ignition system. In many vehicles today the electric fuel pump is another possible source of noise. If you suspect this is true, turn off the ignition. With the CB in receive mode if the noise is no longer present then this is the source of the noise. In some cases the noise can be reduced or eliminated by making sure the CB radio chassis is grounded. This is in addition to the power cord. In extreme cases, additional grounding of components may be necessary.

Operating Controls



Microphone Connector: Plug in the supplied microphone to this connector. Received signals will not be heard without the microphone.

ON/OFF Volume Knob: In the off position your transceiver power is off. Turn this control clockwise to switch on the unit and adjust the volume.

Channel Buttons: This easy-to-operate control allows changing of CB channels, either up or down.

Squelch Control: Adjust this control until background noise just disappears. If the control is adjusted too far clockwise it may cause muting of weaker signals.

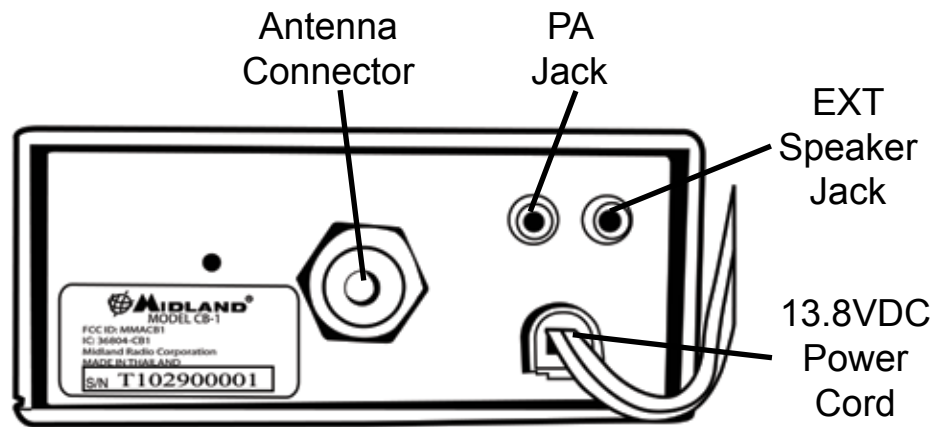
Channel Indicator: The LED displays the channel number.

TX LED: Indicator shows the unit is transmitting.

PA/CB Switch: When in PA mode, it causes your voice to operate the optional external PA speaker. In CB mode, the microphone operates the transmitter.

Channel 9/Normal Switch: Allows you listen to emergency channel 9.

Back Panel



Antenna Connector: Connect a standard 50-ohm CB antenna to this connector.

External Speaker Jack: When a speaker is connected to this jack, the internal speaker is by-passed. All received signals will be heard through the external speaker. The speaker connected to the “EXT” jack should be rated at 8 ohms and 5 watts.

PA Jack: An optional PA speaker may be attached to your transceiver through the PA output jack on the back panel. This allows you to communicate with pedestrians or other vehicles through your CB microphone. The speaker connected to the “PA” jack should be rated at 8 ohms and 5 watts.

DC 13.8V POWER Cord: Connects to power cord with in line 2 amp fuse.

How To Operate your Transceiver

You should become familiar with the controls and complete the preceding installation instructions before attempting to operate your CB.

1. Rotate the on/off volume control clockwise to turn the unit on.
2. Adjust the squelch control fully counter-clockwise so noise is heard.
3. Adjust the volume for a normal listening level.
4. Rotate the squelch control until the noise just disappears.
5. Select the desired channel.
6. To transmit, press the PTT bar on the side of the microphone. Hold the microphone 2 to 3 inches from your mouth and speak in a normal voice.
7. To receive, simply release the PTT bar.

Warning: Do not attempt to make any internal adjustments. Internal adjustments and/or modifications can lead to illegal operation as defined by the FCC rules and regulations, Part 95. They must be made only by qualified technical personnel. Illegal operation can lead to serious consequences.

Technical Specifications

General

Frequency Range.....	26.965-27.405 MHz
Channels	40
Modulation Type.....	AM
Antenna Impedance	50 Ω
Loudspeaker	8 Ω
Microphone.....	1000 Ω Electret
Power Supply	13.8 VDC negative ground
Size	4-3/8" (W) x 4-3/4" (D) x 1-7/8" (H)
Unit Weight.....	1 lb. 10 oz

Receiver (CB, 26.965-27.405 MHz,)

Sensitivity at 10dB S/N.....	0.7 μ V
Selectivity	45dB + 10 kHz
Squelch Range.....	0.5 μ V - 500 μ V
Audio Output Power.....	2.0 W @ 8 Ω (10% distortion)
Distortion at 1000 μ V.....	3%
Audio Frequency response	400-2400 Hz
Intermediate Frequency	1st: 10.695 MHz 2nd: 455 kHz
Spurious Response.....	> 40dB

Transmitter

RF Output Power	4.0 W
Frequency Tolerance.....	0.005%
Harmonic Suppression.....	> 60 dB
Modulation.....	AM 90% (\pm 5%)

Service

If it ever becomes necessary to return your unit for service:

Pack the unit in its original box and packing, improper packing may result in damage during shipment. Be sure to remove the microphone from the radio before packing.

Include a full description of any problems. Include a daytime telephone number in the event we need more information.

You do not need to return accessory items (brackets, screws, power cord, antenna, etc.) unless they may be directly related to the problem.

Include a photocopy of the bill of sale or other proof of purchase showing the date of sale (credit card statements are not acceptable). This information must be included before warranty service can be considered.

A flat rate charge of \$45 will apply to radios not covered by the Warranty. Master Card, Visa, Cashier's Check or Money Order will be accepted for payment only. Personal checks will not be accepted and will delay the repair of your radio until we receive payment by approved methods.

Midland Radio Corporation
Hereby certifies that this unit has
been designed, manufactured,
FCC type accepted and certified
in accordance with Part 95 and
Part 15, Subpart C of the current
FCC rules and regulations as of
the date of manufacture.

Limited Warranty

Midland Radio Corporation will repair or replace, at its option without charge this model CB1 Citizens Band transceiver that fails due to a defect in material or workmanship within Three years following the initial consumer purchase.

This warranty does not include any accessories, which may be a part of or included with the warranted product, or the cost of labor for removal or re-installation of the product in a vehicle or other mounting.

Performance of any obligation under this warranty may be obtained by returning the warranted product, freight prepaid, along with proof of purchase date, to Midland Radio Corporation , Warranty Service Department, 5900 Parretta Drive, Kansas City, Missouri 64120, or to any "Midland Authorized Warranty Service Station," or to the place of purchase (if a participating dealer). This warranty gives you specific legal rights, and you may also have other rights which vary from state to state.

Note: The above warranty applies only to merchandise purchased in the United States of America or any of the territories or possessions thereof, or from a U.S. Military exchange. For warranty coverage on merchandise purchased elsewhere, consult the supplemental warranty information included with this product or ask your dealer.

MIDLAND RADIO CORPORATION

5900 Parretta Drive
Kansas City, MO 64120
Phone 816-241-8500

E-mail: mail@midlandradio.com
www.midlandradio.com

Printed in Thailand

Table des matières

Bienvenue dans le monde de Midland Electronique.....	14
Comment installer votre BP portatif Midland.....	14
Installation et Accessoires de Fonctionnement compris	15
Comment repérer votre émetteur-récepteur BP	15
Fixation Mécanique	15
Câblage d'alimentation (mise à la terre négative seulement).....	16
Installation du porte micro	16
Antenne:	
Sélection	16
Installation.....	17
Syntonisation	17
Portée	17
Bruit.....	17
Commandes de fonctionnement.....	19
Panneau arrière	19
Utilisation de l'émetteur-récepteur	19
Spécifications techniques	
Spécifications générales.....	20
Récepteur	20
Émetteur	20
Service	21
Garantie limitée	22
Autres produits Midland	35

Bienvenue dans le monde de Midland Electronics

Félicitations Vous avez acheté radio BP portative de pointe. Dans les années à venir, vous pouvez vous comprendre rapidement et avec certitude pourquoi Midland est le choix préféré des utilisateurs de BP à l'échelle mondiale.. Vous réaliserez que Midland Power est plus qu'un slogan. Cela représente une longue liste d'avantages démontrés et prouvés. Au fur et à mesure que vous acquerez de l'expérience avec votre BP Midland, souvenez vous toujours que Midland offre de nombreux autres excellents produits électroniques.

Votre BP à 40 canaux représente la fine pointe de l'ingénierie de haute technologie. Cet appareil intègre un circuit PLL contrôlé par un microprocesseur pour un réglage précis.

Comment installer votre BP portatif Midland

Cet émetteur-récepteur peut être installé dans n'importe quel système de mise à la terre négatif de 12-volt d'une voiture ou d'un camion. La plupart des véhicules américains ou étrangers utilisent un système négatif, mais certains vieux modèles et certains nouveaux camions de plus grande capacité peuvent avoir un système de mise à la terre positif.

Vérifiez les exigences de votre véhicule avant de commencer l'installation.

Généralement, vous avez un système de mise à la terre négatif si la borne de la batterie négative (-) est connectée au bloc-moteur. Communiquez avec votre concessionnaire si vous êtes incapable de déterminer la polarité du système de votre véhicule.

Accessoires Compris

1. Système de support de fixation amovible.
2. Système de fixation du microphone.
3. Matériel de fixation nécessaire à l'installation de l'unité principale et du microphone.
4. Microphone enfichable avec cordon enroulé.
5. FCC section 95, sous section D.
6. Guide de l'utilisateur.

Comment repérer votre émetteur-récepteur BP

Votre nouveau BP Midland est conçu pour être installé sous le tableau de bord ou verticalement sur une console de votre véhicule. La sécurité et la commodité sont les considérations premières pour décider de l'emplacement de votre radio.

Avertissement : Assurez vous que l'appareil est situé de façon à ne pas nuire au le conducteur, aux dispositifs de retenue supplémentaires (sacs gonflables) ou empêcher l'accès aux contrôles. Les câbles connectés doivent être assemblés et sécurisés de manière à ne pas interférer avec l'utilisation des freins, de l'accélérateur ou des autres contrôles. L'interférence de l'appareil ou des câbles connectés peut contribuer à la perte de contrôle du véhicule.

Fixation mécanique

1. En respectant l'avertissement, utilisez le support de fixation comme un modèle pour marquer l'emplacement des trous de vis sous le tableau de bord. Utilisez un poinçon, un clou ou un autre objet pointu pour marquer la position des trous.
2. Perforez un trou de 1/8 pouce pour chaque trou de vis dans le support de fixation. Fixez le support au tableau de bord avec les vis tarauds à tête Phillips fournies.
Un soin extrême devrait être exercé lorsque vous perforez dans le tableau de bord pour éviter d'endommager à l'allumage électronique, le régulateur de vitesse automatique, les instruments et/ou le câblage des accessoires, situés sous le tableau de bord.
3. Positionnez l'appareil principal entre les bras du support et alignez-le avec les boutons de retenue.. Fixez l'angle pour un confort et une accessibilité d'utilisation optimale.
4. Serrez les boutons de retenue.

Câblage d'alimentation (mise à la terre négative seulement)

1. Si vous n'avez pas déterminé la polarité de la mise à la terre de votre véhicule, faites-le maintenant. Ensuite, débranchez la borne négative de la batterie pour éviter des courts-circuits durant le câblage. Ne branchez pas cet émetteur-récepteur à des systèmes électriques de mise à la terre positive.
2. Avec une mise à la terre négative
 - A. Branchez le câble le positif (FIL ROUGE), celui avec le porte fusible en ligne, soit (a) au boîtier à fusibles, (b) à l'allume-cigare, ou (c) directement à la borne de batterie positive. Habituellement, le boîtier à fusibles est le point de connexion le plus convenable. Il est aussi possible de le brancher à la borne pour accessoires du boîtier à fusibles ou l'allumage, pour que votre BP s'éteigne automatiquement lorsque l'allumage est éteint.
 - B. Branchez fermement le câble de négative (FIL NOIR) directement au châssis métallique du véhicule. Une bonne mise à la terre négative métal à métal est nécessaire pour une performance optimale. L'installations utilisant l'allume-cigare comme source d'alimentation nécessitent un câble de mise à la terre négative additionnel du châssis de la radio au véhicule si la radio n'est pas rattachée à une partie du véhicule mise à la terre.

Installation du porte micro

Des trous de fixation sont fournis sur le support du porte micro. Le support peut être fixé au tableau de bord du véhicule, aux trous fournis sur le côté gauche de la radio, ou à un autre endroit convenable.

Antenne

Vous avez le choix entre deux types d'antennes BP portatives - antenne fouet pleine longueur et antenne fouet chargée - et une variété de fixations (selon l'emplacement de votre antenne). Le concessionnaire qui vous a vendu votre BP Midland peut vous conseiller à savoir quel type vous convient le mieux.

L'emplacement de votre antenne est important

Quelques règles générales sur l'emplacement de l'antenne pour aider la performance de la BP :

1. Installez votre fixation le plus haut possible sur le véhicule. Plus la proportion de l'antenne est au-dessus du toit, le mieux.
2. Si possible, fixez l'antenne au centre de la surface que vous choisirez,
3. Éloignez les câbles de l'antenne des sources de bruit, comme le système d'allumage, les indicateurs etc.
4. Assurez vous d'avoir une mise à terre solide métal à métal.
5. Soyez prudent pour éviter d'endommager les câbles.

Essentiellement, vous avez le choix entre cinq emplacements : le toit, le crochet de jante, le coffre arrière, l'auvent avant ou le pare-chocs arrière. Le choix de l'emplacement détermine le type d'antenne à installer. Consultez votre détaillant BP Midland pour des conseils, et déterminez vos besoins selon les attributs des différents modèles d'antennes Midland offerts.

Installation de l'Antenne

Suivez soigneusement les instructions d'installation du fabricant.

Avertissement : N'utilisez jamais votre radio BP sans antenne ou avec un câble d'antenne brisé. Cela pourrait endommager les circuits de l'émetteur récepteur.

Avis de sécurité : L'antenne utilisée pour cette radio doit être installée de manière à fournir une distance de séparation d'au moins 8 pouces (20 cm) de toute personne et ne doit pas être située ou utilisée en conjonction avec d'autres antennes ou émetteurs-récepteurs.

Syntoniser votre antenne

Certaines antennes sont syntonisées en usine. Cependant, la performance peut habituellement être améliorée en allongeant ou réduisant légèrement l'antenne en utilisant un rapport d'onde stationnaire. Pour les procédures exactes à respecter, référez vous au guide d'installation de l'antenne du fabricant.

Vous pouvez acheter un rapport d'onde stationnaire séparément ou demander au département de service de votre détaillant BP Midland de vérifier votre antenne.

Facteurs affectant la portée de votre BP

Essentiellement, ce sont les mêmes influences qui optimisent ou limitent les signaux de diffusion AM et FM.

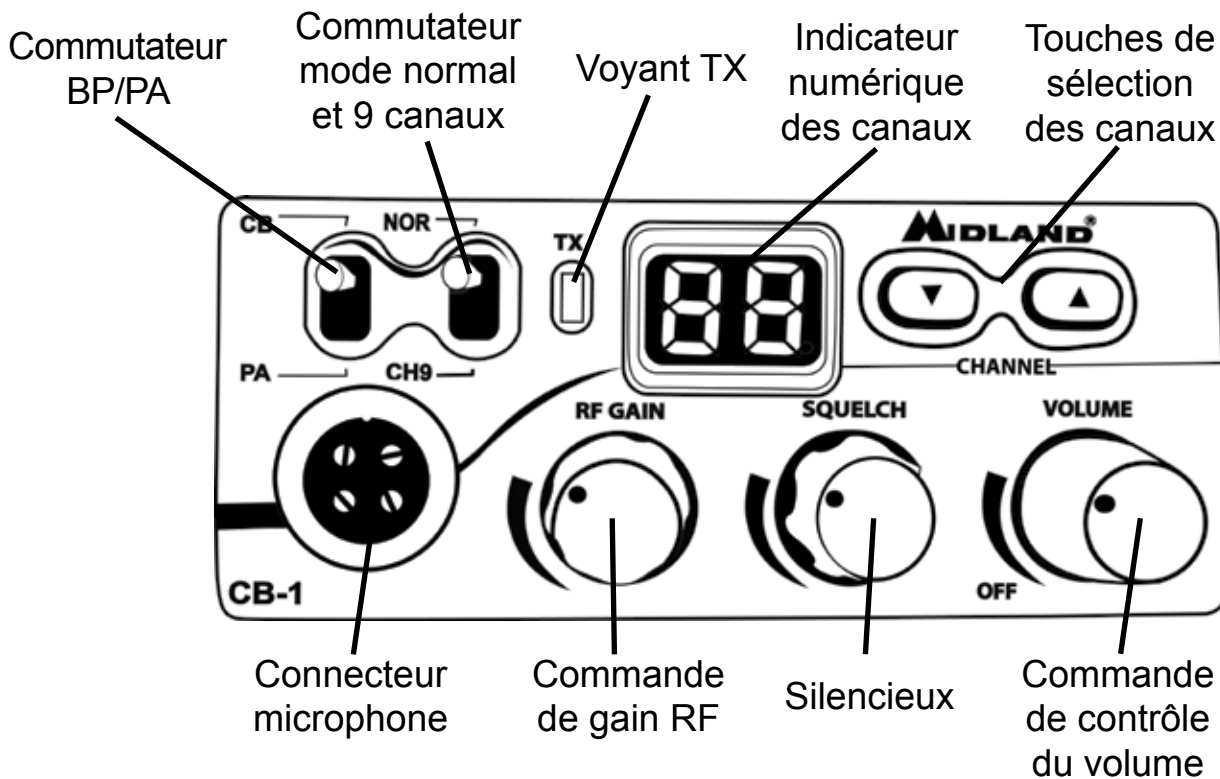
Terrain : Les montagnes, vallées, et bâtiments interrompent et diminuent naturellement les signaux BP. En somme, tout ce qui se situe entre vous et la personne à qui vous voulez parler peut diminuer la portée de votre BP. Vous pouvez vous attendre à maintenir la performance maximale de transmission/réception sur des terrains plats et ouverts.

Température : Vous pouvez vous attendre à ce que la portée de la BP soit réduite - peut-être drastiquement - en temps de perturbations atmosphériques, comme un orage ou de la forte neige. Les taches solaires sont aussi réputées d'affecter négativement la performance de la BP.

Bruit

Une source habituelle de bruit excessif est l'allumage. Aujourd'hui, dans plusieurs véhicules, la pompe à carburant à commande électrique est une autre source possible de bruit. Si vous soupçonnez que c'est le cas, fermez l'allumage. Si le bruit n'est plus présent avec la BP en mode réception, c'est une source de bruit. Dans certains cas, le bruit peut être réduit ou éliminé en s'assurant que le châssis de la radio BP est mis à la terre en plus du cordon d'alimentation. Dans des cas extrêmes, une mise à la terre additionnelle des composants peut être nécessaire.

Commandes de fonctionnement



Connecteur microphone : Connectez le microphone fourni à ce connecteur. Les signaux reçus ne seront pas entendus sans le microphone.

Commande de contrôle du volume : À la position hors tension, votre émetteur-récepteur est fermé. Tournez la commande vers la droite pour activer l'appareil et ajuster le volume.

Touche de sélection des canaux : Ce contrôle simple à utiliser permet de changer de chaînes de bande CB, vers une fréquence supérieure ou inférieure.

Silencieux : Ajustez cette commande jusqu'à ce que le bruit de fond disparaisse. Si la commande est ajustée trop loin vers la droite, ça peut les signaux plus faibles peuvent être mis en sourdine.

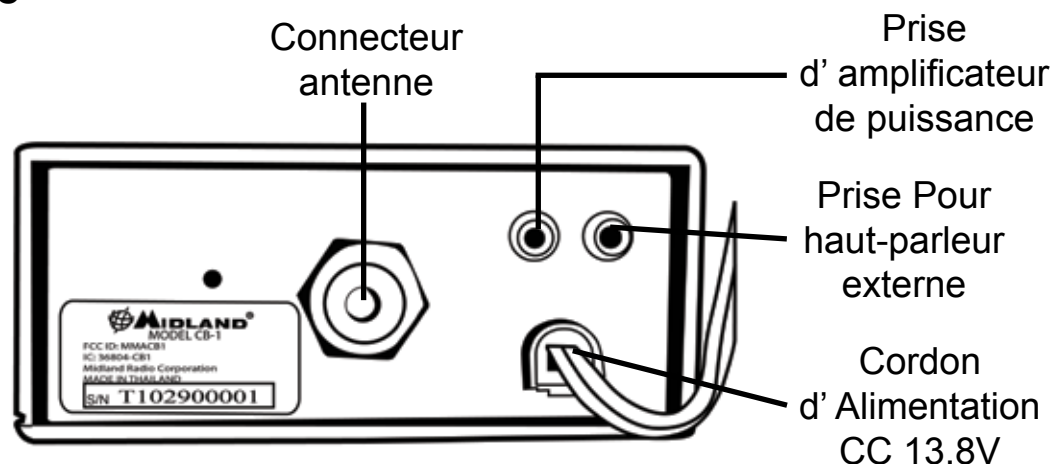
Indicateur numérique des canaux : Le voyant DEL affiche le numéro du canal.

Voyant TX : Le voyant indique que l'appareil est en cours de transmission.

Commutateur mode normal et 9 canaux : Vous permet d'écouter la chaîne d'urgence 9.

Commutateur PA/BP : En mode amplificateur de puissance, votre voix active le haut-parleur PA externe optionnel. En mode BP, le microphone active l'émetteur

Panneau Arrière



Connecteur antenne : Connectez une antenne BP standard 50-ohm BP à ce connecteur

Prise d'amplificateur de puissance : Un haut-parleur optionnel d'amplificateur de puissance peut être fixé à votre émetteur par la prise de sortie d'amplificateur de puissance sur le panneau arrière. Cela vous permet de communiquer avec des piétons ou d'autres véhicules avec votre microphone BP. Le haut-parleur connecté à la prise PA devrait être réglé à 8 ohms et 5 watts.

Prise pour haut-parleur externe : Lorsqu'un haut parleur est connecté à cette prise, le haut parleur interne est contourné. Tous les signaux reçus seront entendus par le haut-parleur externe. Le haut-parleur connecté à la prise EXT devrait être réglé à 8 ohms et 5 watts.

Cordon d'Alimentation CC 13.8V : Se connecte au cordon d'alimentation avec un fusible en ligne de 2 A.

Utilisation de l'émetteur-récepteur

Vous devriez vous familiariser avec les commandes et compléter l'installation précédente avant d'essayer de faire fonctionner votre BP.

1. Tournez la commande marche/arrêt u volume vers la droite pour activer l'appareil.
2. Ajustez la commande silencieux vers la gauche pour entendre du bruit.
3. Ajustez le volume à un niveau normal d'écoute.
4. Tournez la commande silencieux jusqu'à ce que le bruit disparaisse.
5. Choisissez le canal désiré.
6. Pour transmettre, appuyez sur la barre PPT sur le côté du microphone. Tenez le micro à une distance de 2 à 3 pouces de vos lèvres et parlez d'une voix normale.
7. Pour recevoir, lâchez simplement la barre PPT.

Avertissement : Ne tentez pas de faire des ajustements internes. Des ajustements et/ou modifications internes peuvent causer une utilisation illégale telle que définie par les règles et réglementations de la FCC, section 95. Ils doivent être effectués seulement par du personnel technique qualifié. Une utilisation illégale peut entraîner des conséquences sérieuses.

Spécifications Techniques

Spécifications générales

Portée de la fréquence	26.965-27.405 MHz
Canaux	40
Type de modulation	AM
Impédance de l'antenne	50 Ω
Haut-parleur	8 Ω
Microphone.....	1000 Ω Electret
Source d'alimentation.....	13.8 VDC prise de masse
Dimension	4-3/8" (W) x 4-3/4" (D) x 1-7/8" (H)
Poids de l'appareil.....	1 lb. 10 oz

Récepteur (BP, 26.965-27.405 MHz,)

Sensitivité à 10dB S/N	0.7 μ V
Sélectivité	45dB + 10 kHz
Portée du silencieux.....	0.5 μ V - 500 μ V
Puissance de sortie audio	2.0 W @ 8 Ω (10% distorsion)
Distorsion à 1000 μ V.....	3 %
Fréquence en réponse audio	400-2400 Hz
Fréquence intermédiaire	1st: 10.695 MHz 2nd: 455 kHz
Réception non sélective	> 40dB

Émetteur

Puissance de Sortie RF	4.0 W
Tolérance de Fréquence	0.005 %
Filtrage d'Harmoniques	> 60 dB
Modulation.....	AM 90 % (\pm 5 %)

Service

Si jamais il devient nécessaire de retourner votre appareil pour service.

Emballez l'appareil dans sa boîte et son emballage original - Un mauvais emballage peut occasionner des dommages durant l'expédition. Assurez-vous de détacher le microphone de la radio avant d'emballer l'appareil.

Ajoutez une description complète de tous les problèmes. Précisez un numéro de téléphone de jour auquel vous pouvez être rejoint. pour plus d'information.

Ajoutez un paiement par Mandat, Traite de Banque, Visa ou Mastercard, de \$7.50 pour les frais d'expédition et de manutention.

Vous n'avez pas à retourner les accessoires (supports, vis, cordon d'alimentation, antenne, etc.) sauf s'ils sont directement liés au problème.

Veillez inclure une photocopie reçu d'achat de vente ou une autre preuve d'achat montrant la date d'achat. (Les relevés de compte de cartes de crédit ne sont pas acceptables). Ces documents sont essentiels à l'évaluation de votre demande.

Un taux fixe de 45 \$ sera facturé pour les radios non couvertes par la garantie. Seuls les modes de paiement suivants sont acceptés : Mastercard, Visa, mandat, ou traite bancaire. Les chèques personnels ne seront pas acceptés et retarderont la réparation de votre radio jusqu'à ce qu'un mode de paiement acceptable soit reçu.

Midland Radio Corporation
certifie par la présente que cet appareil
a été conçu et manufacturé,
reconnu et certifié par la en type FCC
en conformité avec la section 95 et
partie 15, sous -section C des
règles et réglementations courantes de
la FCC à la date de fabrication.

Garantie Limitée

Midland Radio Corporation réparer a ou remplacer a, à sa discrétion et sans frais, ce t émetteur-récepteur modèle CB1 Bande Publique s'il fait défaut en raison d'une défectuosité de matériel ou de main-d'oeuvre à l'intérieur de trois ans suivant l'achat initial du client.

Cette garantie n'inclut pas les accessoires, qui peuvent faire partie ou être inclus avec le produit garanti ou le coût de la main-d'oeuvre pour le démontage ou la réinstallation du produit dans un véhicule ou sur une autre fixation.

La prestation de toutes obligations prévues par cette garantie peut être obtenue en retournant le produit garanti, port payé, avec la preuve de la date d'achat à Midland Radio Corporation, Warranty Service Department, 5900 Parretta Drive, Kansas City, Missouri 64120, ou à n'importe quel " centre de service autorisé Midland, ou à l'endroit d'achat (s'il s'agit d'un participant). Cette garantie vous donne des droits spécifiques, et vous pouvez détenir d'autres droits qui varient d'un état à l'autre..

Note : La garantie précédente s'applique seulement à la marchandise achetée aux États-Unis d'Amérique ou dans un de ses territoires ou possessions, ou par l'intermédiaire d' unéchange de l'armée américaine. Pour en savoir plus au sujet de la garantie applicable aux produits achetés ailleurs, veuillez, consulter l'information supplémentaire de garantie incluse avec ce produit ou renseignez-vous auprès de votre détaillant.

MIDLAND RADIO CORPORATION
5900 Parretta Drive
Kansas City, MO 64120
Téléphone 816-241-8500

Courriel : mail@midlandradio.com
www.midlandradio.com
Imprimé en Thailand

Tabla de Contenidos

Bienvenido al Mundo de Midland Electronics	26
Como instalar su Midland Mobile BC	26
Instalacion y Accesorios operativos	27
Donde colocar su BC Transceptor	27
Montura Mecanica.....	27
Alambrado (Solo Tierra Negativa).....	28
Instalacion del Colgador de Microfono.....	28
Antenna:	
Selección	28
Instalacion.....	29
Sintonizando Antena.....	29
Rango	29
Ruido	29
Controles Operacionales.....	30
Panel Trasero	31
Operacion del Transceptor	31
Especificaciones Tecnicas	
General	32
Recibidor.....	32
Transmisor	32
Servicio.....	33
Garantia Limitada	34

Bienvenido al Mundo de Midland Electronics

Felicitaciones por la compra del Radio de Primera Linea BC mobil. En los años venideros, usted encontrara el porque Midland mantiene la posicion delantera entre los usuarios de la Banda Ciudadana. Usted tambien vera que El Original Americano no es solo un eslogan, sino la continuacion de una larga lista de beneficios que se pueden ver y escuchar. Mientras su experiencia con el Radio Midland BC crezca, esperamos que recuerde que los radios BC son una excelencia electronica disponible bajo el nombre Midland.

Su Radio BC de 40 Canales representa la primera linea en ingenieria de alta tecnologia. Esta unidad incorpora un microprocesador controlado PLL para sintonizacion precisa.

Como instalar su Radio Midland Mobile BC

Este transceptor puede ser instalado en cualquier auto o camion con un sistema de 12 voltios con tierra negativa. La mayoria de vehiculos actuales Americanos y extranjeros utilizan un sistema negativo, pero algunos modelos antiguos y algunos camiones grandes nuevos pueden tener una tierra positiva.

Revise los requerimientos para su vehiculo antes de comenzar la instalacion.

Generalmente, usted posee un sistema de tierra negativa si el polo negativo (-) de la bateria esta conectado al bloque del motor. Contacte su distribuidor al momento que sea incapaz de determinar la polaridad de su vehiculo.

Instalacion y Accesorios operativos

1. Montura de soporte de facil remocion.
2. Sistema de soporte de microfono
3. Todos los componentes necesarios de montura de microfono necesarios para operacion normal.
4. Microfono conectable con cable en espiral.
5. Articulo 95 FCC, sub-articulo D.
6. Manual de Usuario.

Donde instalar su BC Transceptor

Su nuevo Radio Midland BC esta disenado para ser instalado debajo de el tablero de su vehiculo o verticalmente en una consola en su vehiculo.

Seguridad y conveniencia son las consideraciones primarias para decidir donde instalar su radio.

Precaucion: Este seguro de que la unidad este localizada de tal forma que no interfiera con el conductor, bolsas de aire o bloquee el acceso a cualquier control. Los cables de coneccion deben de ser conectados y ruteados de manera segura para que no interfieran con la operacion del freno, acelerador o otros controles. La interferencia causada por la unidad o los cables de coneccion puede contribuir a la perdida del control del vehiculo.

Montura Mecanica

1. Paso 1: Procediendo con cautela, use los soportes de montura como referencia para marcar la localizacion de los agujeros de los tornillos debajo del tablero. Use un punzon, uña o otro objeto filozo para marcar la localizacion de los agujeros.
2. Haga un agujero de 1/8" para cada agujero de tornillo en el soporte de montura. Una el soporte con el tablero usando los tornillos de estrias metalicos incluidos. Extrema cautela debe ser ejercida cuando este haciendo los agujeros en el tablero para evitar daños a la electronica de ignicion debajo del tablero, control de crusero, instrumentos y/o cableado.
3. Posicione la unidad central entre los brazos del soporte en linea con las perillas de retencion. Ajuste el angulo para mayor confortabilidad y accesibilidad.
4. Apriete las perillas de Retencion.

Alambrado (Solo Tierra Negativa)

1. Si usted no ha determinado si su vehiculo tiene tierra negativa o positiva, hagalo ahora. Luego desconecte el polo negativo de la bateria para prevenir cortos circuitos que puedan ocurrir durante el cableado. **No conecte este transceptor a sistemas electricos de tierra positiva.**
2. Con tierra negativa.
 - A. Conecte el positivo (ALAMBRE ROJO el que tiene contenedor del fusible) con (a) el bloque de fusibles, (b) el encendedor de cigarillos, o (c) directo al terminal positivo de la bateria.

Usualmente, el bloque de fusibles es el lugar mas conveniente para realizar esta conexcion. Es posible tambien conectarlo al terminal de accesorios en el bloque de fusibles o el interruptor de ignicion, para que su Radio BC se apague automaticamente cuando la ignicion se apague.
 - B. Ajuste correctamente la tierra (Alambre Negro) directamente con el chasis metalico del vehiculo. Una buena conexcion metal a metal es necesaria para un rendimiento optimo.

La instalaciones utilizando el conector del encendedor de cigarillos como alimentacion requieren una cable de tierra extra desde el radio al chasis del vehiculo si el radio no esta colocado en una parte aterrizada del vehiculo.

Instalacion del Colgador de Microfono

Los agujeros de montura sn incluidos en el soporte del colgador de microfono. El soporte puede colocado en el tablero del vehiculo, los agujeros provistos en la parte izquierda del radio, o otra localizacion conveniente.

Antena

Usted puede seleccionar dos tipos de antenas BC mobiles: Tipo varilla de largo completo o Tipo varilla cargada - y una variedad de monturas (dependiendo de donde usted localice su antena). El distribuidor que le vendio su Radio Midland BC puede aconsejarle cuales tipo es mejor para usted.

Donde usted instale su antena hace la diferencia.

Estas son algunas reglas para la localizacion de su antena que pueden ayudar al rendimiento de su Radio BC::

1. Ubique la montura lo mas alto posible en su vehiculo.

Lo mas alto que este la proporcion de la antena por encima del techo de su vehiculo, mejor es.
2. Si es posible, monte la antena en el centro de la superficie que ha elegido.
3. Mantenga los cables de la antena lejos de las fuentes de ruido, como el sistema de ignicion, medidores, etc.
4. Asegurese de tener una conexcion solida metal a metal como tierra.
5. Ejersca cuidado para prevenir danos a los cables.

Esencialmente, usted tiene cinco ubicaciones disponibles: el techo, el canal del techo, cubierta trasera, la capota frontal o el parachoques trasero. Donde usted decida instalar su antena determinara el tipo de antena que debe instalar. Consulte su distribuidor Midland BC para consejos y guia, y medir sus necesidades contra los atributos de los varios modelos de antena que los distribuidores poseen.

Instalacion de la Antena

Siga las indicaciones de instalacion del fabricantes cuidadosamente.

Advertencia: Nunca opere su Radio BC sin conectar una antena or con un cable de antena roto. Esto resultara en danos al circuito de transmision.

Nota de Seguridad: La antena usada para este radio debe ser instalada para proveer una distancia de separacionde al menos 8 pulg. (20cm) de todas las personas y no debe estar operando o estar colocado in conjunto con cualquier otra antena o transmisor.

Sintonizando Su Antena

Algunas antenas estan sintonizadas de fabrica. Sin embargo, el rendimiento usualmente puede ser mejorado al alargar o acortar la antena usando un medidor de Ondas de Radio (SWR). Para los procedimientos exactos a usar, dirijase al manual de instalacion del fabricante de la antena.

Usted puede comprar un medidor SWR por separado o hacer un chequeo de su antena por el departamento de servicio de su distribuidor Midland BC.

Factores que afectan el Rango

Esencialmente, son las mismas influencias que optimizan o limitan las senales de transmision AM y FM como tambien el rango de recepcion del clima.

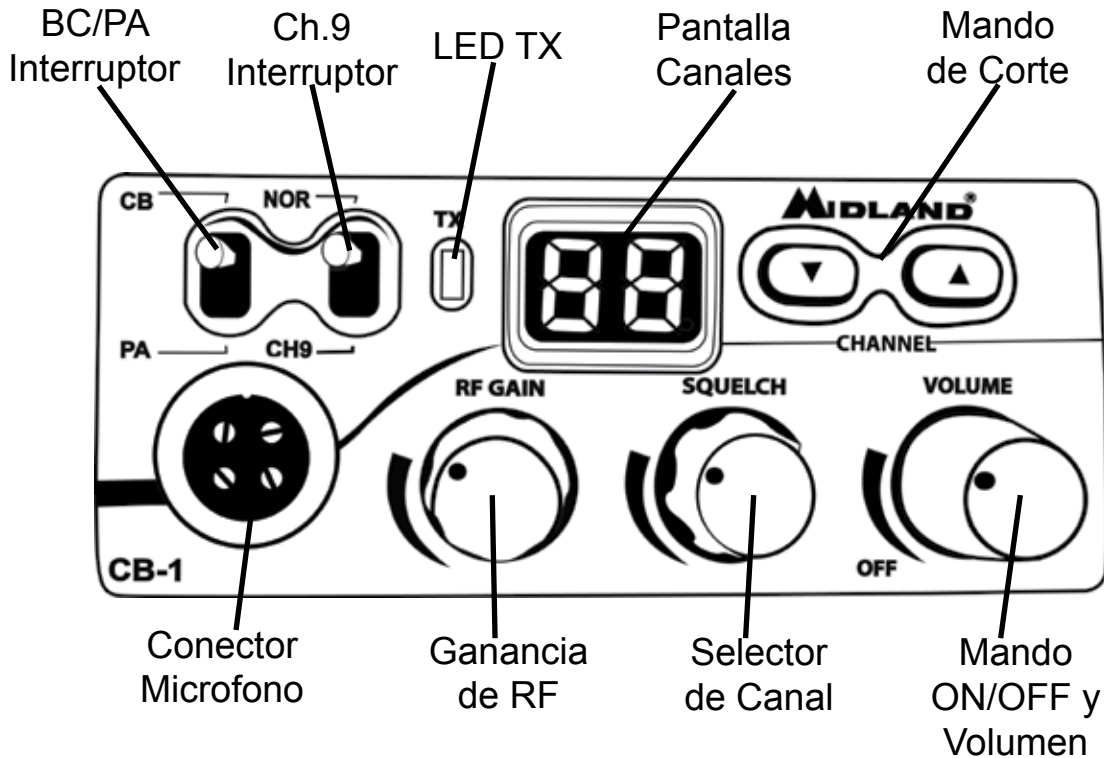
Terreno: Colinas, valles y edificios naturalmente iterrumpen and acortan las senales BC/Clima. Por lo tanto, cualquier cosa que se encuentre entre usted y la persona que usted desea hablar puede acortar el rango de su Radio BC. Usted puede esperar mantener el maximo rendimiento de transmision/recepcion en terrenos llanos.

Clima: Uste puede esperar que el rango de las senales BC/Clima se reduzca - talvez drasticamente - en tiempos de disturbacion atmosferica, como una tormenta o una nevada fuerte. Los focos solares tambien estan identificados de afectar adversamente el rendimiento del Radio BC.

Ruido

Una fuente comun de ruido excesivo es el sistema de ignicion. Hoy en dia en muchos vehiculos la bomba electrica de combustible es otra posible fuente de ruido. Si usted sospecha que este es el caso, apague la ignicion. Con el Radio BC en modo de recepcion, si el ruido no esta presente entonces esta es la fuente del ruido. En algunos casos el ruido puede ser reducido o eliminado cerciorandose que el chasis del Radio BC este aterrizado. Tambien el cable de alimentacion. En casos extremos, componentes adicionales de aterrizaje pueden ser necesarios.

Controles Operacionales



Mando Volumen ON/OFF: En la posición off su transceptor está apagado. Gire este control en dirección a las agujas del reloj para encender la unidad y ajustar el volumen.

Mando de Control de Corte: Ajuste hasta que el ruido del receptor desaparezca. Si el control es ajustado muy lejos en sentido horario puede causar el silenciamiento de señales débiles.

Indicador de Potencia S/RF: Esta pantalla es usada en recepción para indicar la fuerza relativa de las señales de entrada. Cuando se transmite, esta muestra la potencia de salida RF.

Botón BC/PA: El modo PA, causa que su voz opere a través del altavoz opcional PA. En modo BC, el microfono opera el transmisor.

Conector Microfono: Conecte el microfono provisto a este conector. Las señales recibidas no serán escuchadas sin este microfono.

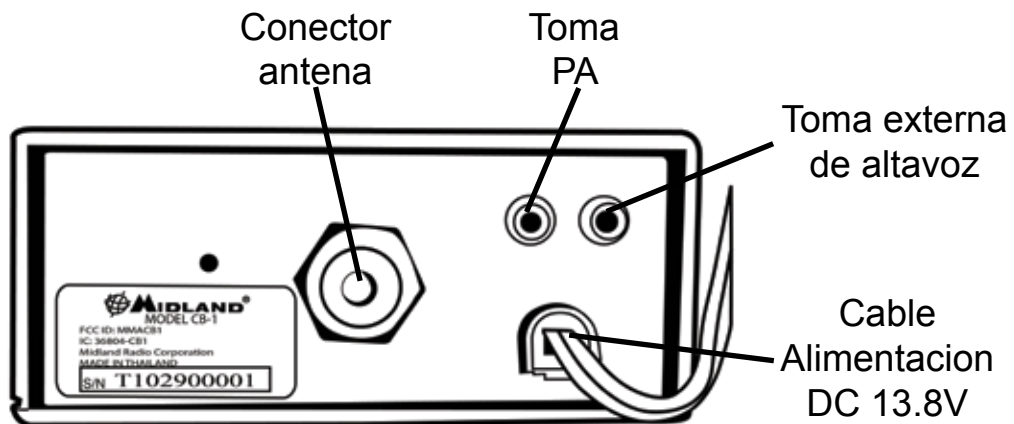
Perilla de Canales: Este control de fácil operación permite cambiar los canales BC, tanto abajo como arriba.

Indicador de Canal: El LED despliega el número del canal.

LED TX: El indicador muestra que la unidad está transmitiendo.

Barra Presionar-Para-Hablar (PTT Bar): Presione esta barra para hacer que el radio transmita. Sostenga el microfono 2 pulgadas de sus labios y hable con una voz normal.

Panel Trasero



Conector antena: Conecte una antena estándar de 50 ohmios a este conector.

Toma externa de altavoz: Cuando el altavoz este conectado a esta toma, el altavoz interno será obviado. Todas las señales recibidas serán escuchadas a través del altavoz externo. El altavoz conectado a la toma "EXT" debe tener un valor nominal de 8 ohmios y 5 vatios.

Toma PA: un altavoz PA opcional puede ser conectado con su transceptor a través de la salida PA en el panel Trasero. Esto le permite comunicarse con los peatones o otros vehículos a través del micrófono de su BC. El altavoz conectado a la toma "PA" debe tener un valor nominal de 8 ohmios y 5 vatios.

Cable Alimentación DC 13.8V: Se conecta al cable de alimentación con el fusible de 2 amperes.

Operación del Transceptor

Usted debe hacerse familiar con los controles y completar las instrucciones de instalación precedentes antes de tratar de operar su Radio BC.

1. Rote el control de volumen on/off en sentido horario para encender la unidad.
2. Ajuste el control de corte completamente en sentido anti-horario para que se escuche el ruido.
3. Ajuste el volumen para un nivel de escucha normal.
4. Rote el control de corte hasta que el ruido desaparezca.
5. Seleccione el canal deseado rotando el selector de canal.
6. Para transmitir, presione la barra PTT en el lado del micrófono. Sostenga el micrófono 2 o 3 pulgadas de sus labios y hable con una voz normal.
7. Para recibir, simplemente suelte la barra PTT.

Advertencia: No intente hacer ningún ajuste interno. Los ajustes internos y/o modificaciones pueden llevar a una operación ilegal como está definido por el artículo 95 de las reglas y regulaciones de la FCC. Estos deben ser realizados solo por personal técnico calificado. La operación ilegal puede conducir a serias consecuencias.

Especificaciones Tecnicas

General

Rango de Frecuencia.....	26.965-27.405 MHz
Canales	40
Tipo de modulacion	AM
Impedancia de la Antena.....	50 Ω
Altavoz.....	8 Ω
Microfono.....	1000 Ω Electret
Fuente alimentacion.....	13.8 VDC tierra negativa
Tamano.....	4-3/8" (L) x 4-3/4" (An) x 1-7/8" (Al)
Peso Unidad.....	1 lb. 10 oz.

Recibidor (CB, 26.965-27.405 MHz,)

Sensibilidad a 10dB	0.7 μ V
Selectividad	45dB + 10 kHz
Rango de Corte.....	0.5 μ V - 500 μ V
Potencia Salida Audio	2.0 W @ 8 Ω (10% distortion)
Distorsion a 1000 μ V.....	3%
Respuesta en frecuencia de audio	400-2400 Hz
Frecuencia intermedia.....	1st: 10.695 MHz 2nd: 455 kHz
Respuesta Espuria.....	> 40dB

Transmisor

Potencia Salida RF	4.0 W
Tolerancia de Frecuencia.....	0.005%
Suspension Armonica	> 60 dB
Modulacion.....	AM 90% (\pm 5%)

Servicio

Si alguna vez se hace necesario retornar su unidad para servicio:

Empaque la unidad en su embalaje y caja original, un empaçado inapropiado puede resultar en danos durante el envío. Asegurese de remover el microfono del radio antes de empaçar.

Incluya una descripción completa de los problemas que presenta la unidad. También un teléfono durante el día en caso de que necesitemos más información.

Incluya un pago de Giro Postal, Cheque de cajero, Visa o Master Card por \$7.50 para cubrir los gastos de envío y manejo.

No es necesario enviar ningún accesorio (soportes, tornillos, cable alimentación, antena, etc.), al menos que estén directamente relacionados al problema.

Incluya una fotocopia de la factura de venta o otra prueba de compra mostrando la fecha de venta (Las declaraciones de tarjetas de crédito no son aceptables). Esta información debe ser incluida antes de que el servicio de garantía sea considerado.

Un cargo de tarifa plana de \$45 se aplicará a los radios no cubiertos por la garantía. Master Card, Visa, Cheques de cajero o Giro Postal serán aceptados solo para pagos. Los cheques personales no serán aceptados y retrasarán la reparación de su radio hasta que recibamos el pago por los métodos aprobados.

Midland Radio Corporation
Certifica que esta unidad ha sido
diseñada, manufacturada, aceptada
por la FCC y certificada de
acuerdo al artículo 95 y al artículo
15, Parte C de las reglas y regu-
laciones actuales de la FCC a la
fecha de manufactura.

Garantía Limitada

Midland Radio Corporation repara o reemplazara, a su opción sin costo este modelo Transceptor de Banda Ciudadana CB1 que falle debido a defectos en el material o manufactura dentro de tres años desde la compra por el cliente.

Esta garantía no incluye ningún accesorio, que pueda ser parte o incluido con el producto garantizado, o el costo de mano de obra por remoción o reinstalación del producto en otro vehículo o otra montura.

El rendimiento bajo la obligación de esta garantía puede ser obtenido por retornar el producto garantizado, transporte prepagado, acompañado de la prueba de compra, a Midland Radio Corporation, Warranty Service Department, 5900 Parretta Drive, Kansas City, Missouri 64120; o a cualquier "Estación de Servicio Autorizado Midland", o al lugar de compra (si fue a un distribuidor participante). Esta garantía le ofrece derechos legales específicos y usted también puede tener otros derechos los cuales varían de estado a estado.

Nota: La garantía descrita aplica solo a mercancía comprada en Estados Unidos de América o cualquiera de sus territorios o posesiones, o a una Facilidad Militar Americana. Para cobertura de garantía comprada en otro lugar, consulte la información del suplemento de garantía incluido en este producto o pregunte a su distribuidor.

MIDLAND RADIO CORPORATION

5900 Parretta Drive
Kansas City, MO 64120
Phone 816-241-8500

E-mail: mail@midlandradio.com
www.midlandradio.com

Printed in Thailand



GMRS RADIOS



WEATHER RADIOS

 Bluetooth



**MOTORCYCLE
COMMUNICATION SYSTEM**



**EXTREME ACTION
CAMERA**



MARINE RADIOS



EMERGENCY CRANK RADIOS



CITIZEN BAND RADIOS

**CHECK OUT THE OTHER GREAT MIDLAND PRODUCTS AT
www.midlandradio.com**