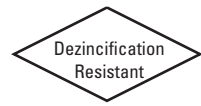


Class 125 Bronze Ring Check® Valves

Inline Lift Type • Resilient Discs • Spring Actuated

125 PSI/8.6 bar saturated steam to 353° F/178° C (PTFE Disc)

250 PSI/17.2 bar non-shock cold working pressure



MATERIAL LIST

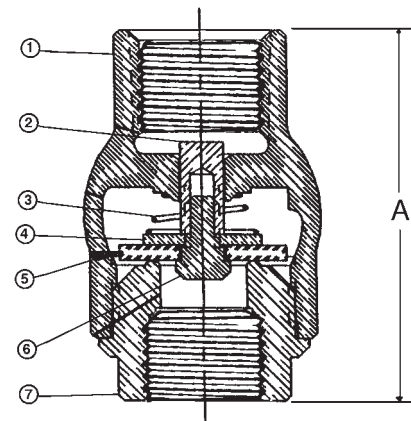
| PART | SPECIFICATION |
|----------------|---|
| 1. Body | Bronze ASTM B584 Alloy C84400 |
| 2. Stem | Stainless Steel ASTM A 582 Alloy C30300 |
| 3. Spring | 316 Stainless Steel |
| 4. Disc Holder | Stainless Steel Type 301 |
| 5. Disc | Petroleum or Water (Buna-N)(W) Steam (PTFE) (Y) |
| 6. Seat Screw | Stainless Steel ASTM A276 Alloy S43000 |
| 7. Body End | Bronze ASTM B584 Alloy C84400 |



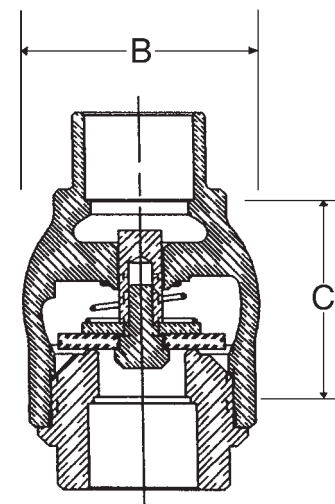
T-480
Threaded



S-480
Solder



T-480-Y (PTFE Disc)
NPT x NPT



S-480-Y (PTFE Disc)
C x C

DIMENSIONS—WEIGHTS—QUANTITIES

| Size | Dimensions | | | | | | T-480 | | S-480 | | Master Ctn. Qty. | |
|-------|------------|------|-----|------|-----|------|-------|------|-------|------|------------------|-----|
| | A | | B | | C | | Lbs. | mm. | Lbs. | Kg. | | |
| In. | mm. | In. | mm. | In. | mm. | In. | mm. | Lbs. | mm. | Lbs. | Kg. | |
| 3/8 | 10 | 2.00 | 51 | 1.38 | 35 | 1.44 | 37 | 0.41 | 0.19 | 0.44 | 0.20 | 100 |
| 1/2 | 15 | 2.06 | 52 | 1.38 | 35 | 1.19 | 30 | 0.36 | 0.16 | 0.40 | 0.18 | 100 |
| 3/4 | 20 | 2.25 | 57 | 1.63 | 41 | 1.31 | 33 | 0.48 | 0.22 | 0.52 | 0.24 | 100 |
| 1 | 25 | 2.63 | 67 | 2.00 | 51 | 1.50 | 38 | 0.77 | 0.35 | 0.85 | 0.39 | 50 |
| 1 1/4 | 32 | 2.94 | 75 | 2.38 | 60 | 1.69 | 43 | 1.14 | 0.51 | 1.28 | 0.58 | 30 |
| 1 1/2 | 40 | 3.31 | 84 | 2.75 | 70 | 2.00 | 51 | 1.63 | 0.74 | 1.75 | 0.79 | 30 |
| 2 | 50 | 3.69 | 94 | 3.38 | 86 | 2.31 | 59 | 2.27 | 1.03 | 2.70 | 1.23 | 10 |

Ordering: The T-480 and S-480 both have standard Buna-N Discs.

Also available with PTFE (Y) Discs; specify T-480-Y or S-480-Y.

3/8" thru 2" require 1/2 pound pressure to open.

Install 5 pipe diameters minimum downstream from pump discharge or changes in direction to avoid flow turbulence. Flow straighteners may be required in extreme cases.

Note: On pump discharge, the preferred check valves are:
- inline, spring assisted, center-guided, lift checks.

NIBCO® Check Valves may be installed in both horizontal and vertical lines with upward flow or in any intermediate position.

Warning – Do Not Use For Reciprocating Air Compressor Service.

♦ For detailed Operating Pressure, refer to Pressure Temperature Chart on page 116.



WARNING: This product can expose you to chemicals including lead, which is known to the State of California to cause cancer and birth defects or other reproductive harm. For more information go to www.P65Warnings.ca.gov.

Visit our website for the most current information.