

# **KARISMA**<sup>®</sup> B E A U T Y D E S I G N

INSTRUCTIONS FOR INSTALLATION, USE AND  
ROUTINE MAINTENANCE



## **BEAN WASH WASH UNIT**

K532 - K532P

# CONTENTS

---

INTRODUCTION .....	3
PREREQUISITES .....	4
INTENDED USE .....	4
INSTRUCTIONS FOR USE .....	4
DEFINITION .....	4
SAFETY .....	4
MIXER SPECIFICATIONS .....	5
THERMOSTATIC MIXER SPECIFICATIONS .....	5
TRANSPORT AND STORAGE .....	6
DIMENSIONS .....	6
INSTALLATION SURFACE .....	7
PREPARATION .....	9
WASH UNIT ASSEMBLY AND ATTACHMENT .....	9
FLOOR DRAIN .....	10
WALL DRAIN .....	11
TESTING .....	12
ROUTINE MAINTENANCE .....	13
CHAIR .....	13
WASHBASIN UNIT .....	13
CLEANING THE SURFACES .....	14
INSTRUCTIONS FOR DISPOSAL .....	15

# INTRODUCTION

---

**Thank you for purchasing a Karisma product. we are certain you will be fully satisfied with your choice.**

Karisma products are manufactured according to strict quality standards using only the best components.

The operation and safety of each wash unit were tested in painstaking detail before shipment.

Check that the wash unit was not damaged during transport in a manner that could impair its operation and safety.

You are advised to follow the instructions contained in this manual carefully for the best reliability, long life and top-notch performance of the wash unit.

The manual is designed to allow you to use the wash unit in the best and safest manner.

Therefore, this manual is an integral part of the wash unit. It must be kept carefully throughout the duration of the wash unit and accompany the wash unit if it is transferred to a new user.

To avoid problems, read this manual carefully before carrying out any operation on the wash unit and follow the instructions scrupulously.

The manufacturer accepts no liability for damage caused by negligence and/or failure to observe the instructions in this manual.

Without prejudice to the main technical and safety features of the product, the manufacturer reserves the right to make changes to the wash unit for reasons of continual technical and technological evolution without prior notice, without incurring any penalty.

The partial or total reproduction of this manual, including texts and illustrations, is prohibited by law.

The Court of Reggio Emilia (Italy) is competent in case of disputes.

## PREREQUISITES

---

The following requirements must be observed for a correct and safe installation of the equipment:

- 1) The floor must comply with **DIN 1055 B 1.3** and **DIN 18560 T 1**.
- 2) Do not connect devices that are not specified as part of the system.
- 3) The equipment must be fixed to the floor using anchor bolts with a minimum diameter of 8 mm.

**The manufacturer is not liable for the safety and reliability of the equipment if:**

- **installation and repairs are not carried out by authorised technicians**
- **the general and electrical installation of the room does not comply with the requirements indicated above**
- **the device was not installed following this manual**
- **the device is not used following this manual.**

## INTENDED USE

---

The wash unit chair is intended for professional use in hair treatment salons, particularly in the hair washing area.

## INSTRUCTIONS FOR USE

---

The wash unit chair is intended for professional use in hair treatment salons, particularly in the hair washing area. It cannot be used by more than one operator at the same time and can accommodate only one customer at a time. The maximum load capacity is 120 kg. The equipment must be fixed to the floor. The installation is compliant if carried out according to the specifications indicated in the Installation, Use and Maintenance Manual. The equipment must be fixed with anchor bolts with a minimum diameter of 8 mm. Sitting on table tops, armrests and footrests is not permitted. Multiple people are not allowed to sit together. It is not allowed to get seated and/or get up while the footrest is moving or if the chair being raised.

**Beware of scalding** caused by hot water.

**Beware of moving parts** of the wash unit chair.

## DEFINITIONS

---

**Hairdresser**, or operator, is the person who performs the treatment of the customer's hair and who manages the operation of the wash unit chair. The workstation is situated at the back of the wash unit chair.

**Customer** is the person who is receiving the hair treatment. The front part of the wash unit chair is used to seat the customer.

## SAFETY

---



The equipment complies with the essential European Union regulations on ergonomics and safety. The manufacturer guarantees these qualities.

## MIXER SPECIFICATIONS

---

### Technical specifications

Test pressure **15 bar**

Cold water supply blue indicator pointing rightwards. Pipe connection 3/8"

Hot water supply red indicator pointing leftwards. Pipe connection 3/8"

**Limits of use according to UNI 10234 EN (817):**

**MIN. pressure 0.5 bar MAX. 10 bar (100000000 pascals)**

**MAX. temperature 90°**

**Limits of use recommended by UNI 10234 (EN 817) for a good tap operation**

Pressure: **MIN. 0.5 bar MAX. 5 bar (50000000 pascals)**

Temperature: **MAX. 65°C**

### Warnings:

- It is necessary to thoroughly flush all pipes in the system before connecting the washing machine to the water supply, to avoid damage to the fittings caused by residues in the pipes.
- It is recommended to install a pressure reducer in case of operating pressures above 5 bar.
- It is also recommended to install a central filter for water with a high impurity content.

## THERMOSTATIC MIXER SPECIFICATIONS

---

### Technical specifications

Test pressure **15 bar**

Cold water supply blue indicator pointing rightwards. 1/2" pipe connection

Hot water supply red indicator pointing leftwards. 1/2" pipe connection

**Limits of use according to UNI 10234 EN (817):**

**MIN. pressure 1 bar MAX. 10 bar (100000000 pascals)**

**MAX. temperature 90°**

**Limits of use recommended by UNI 10234 (EN 817) for a good tap operation**

Pressure: **MIN. 1 bar MAX. 5 bar (50000000 pascals)**

Temperature: **MAX. 65°C**

### Warnings:

- It is necessary to thoroughly flush all pipes in the system before connecting the washing machine to the water supply, to avoid damage to the fittings caused by residues in the pipes.
- It is recommended to install a pressure reducer in case of operating pressures above 5 bar.
- It is also recommended to install a central filter ( 5 micron ) for water with a high impurity content.

## TRANSPORT AND STORAGE

---

The packages must be transported on closed vehicles. Do not drop or tilt packages during loading and unloading. The products must be stored in a dry, indoor place, stacking up to three packages on top of each other and without drastic temperature changes.

### Environmental conditions for transport and storage

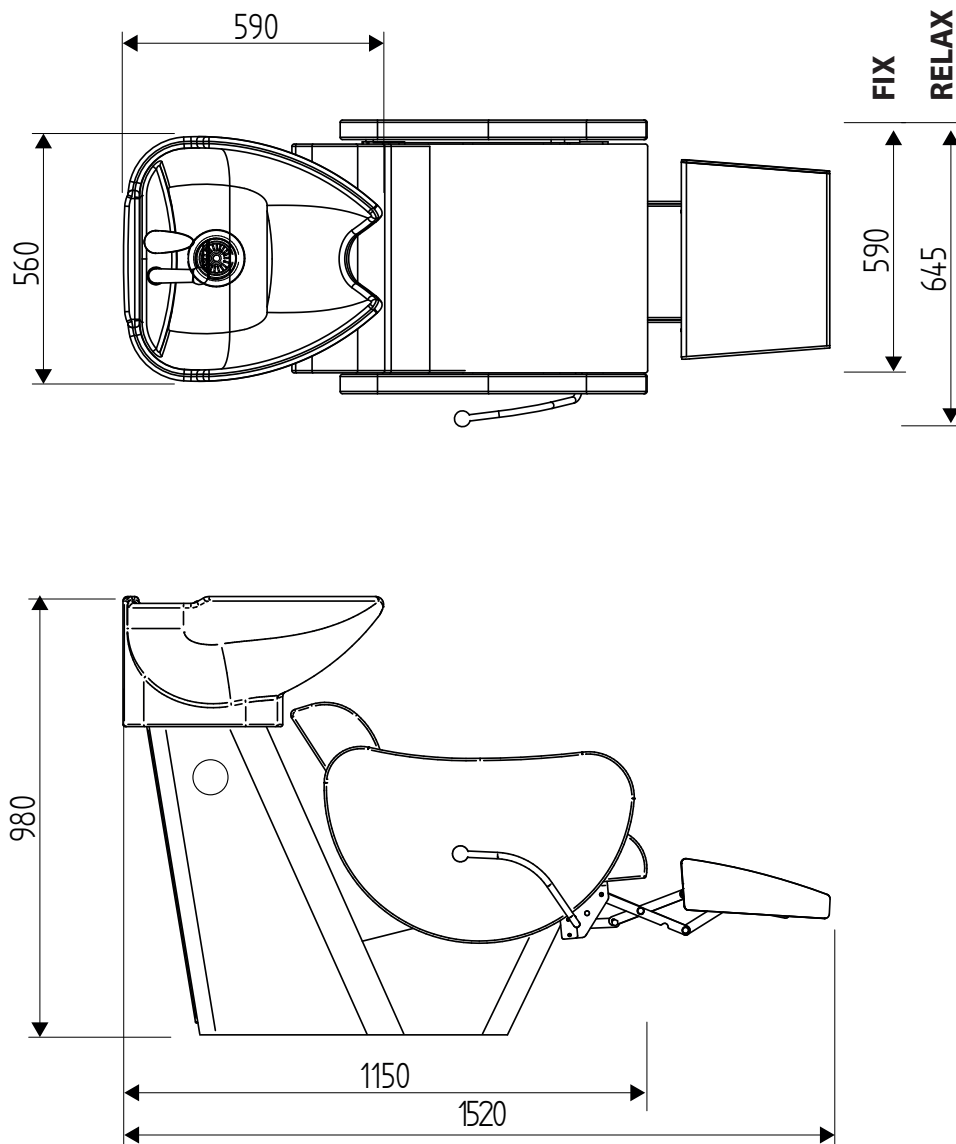
- Ambient temperature from -25°C to +50°C.
- Relative humidity max 75%.

### Environmental conditions of use

- Ambient temperature from +10°C to +40°C.
- Relative humidity from 30% to 75%.

## DIMENSIONS

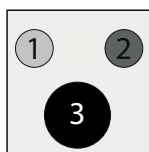
---



Dimensions in mm.

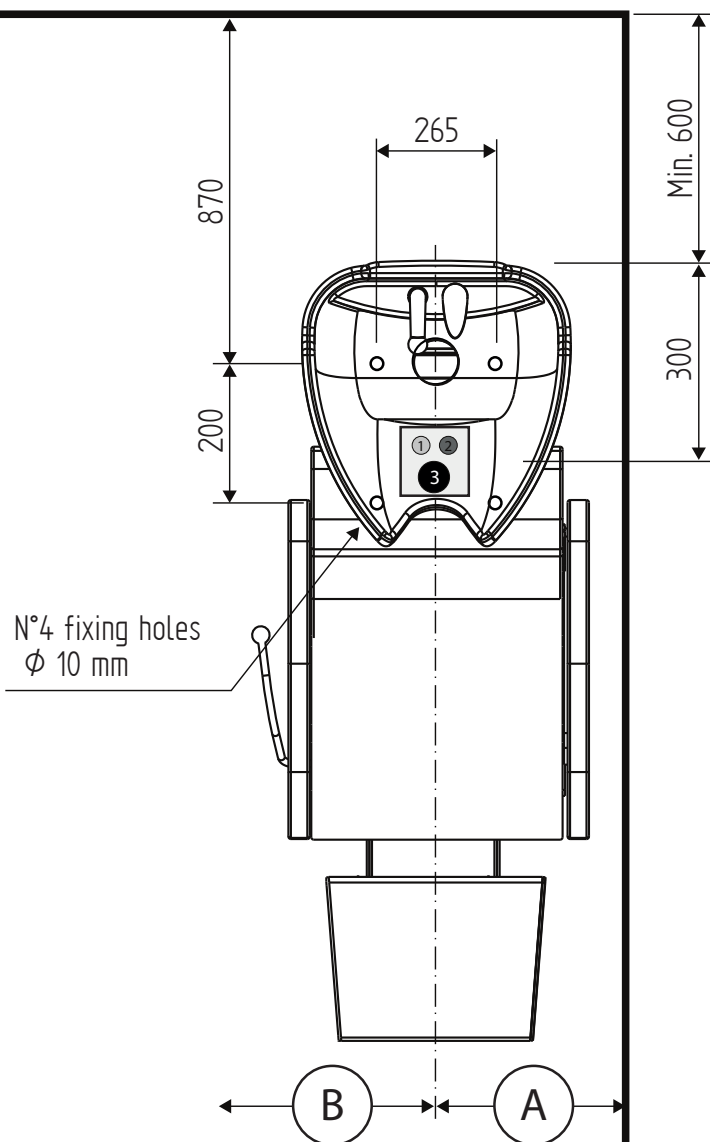
# INSTALLATION SURFACE

## Plant layout



- 1 = Hot 3/8" (1/2" thermostatic mixer)
- 2 = Cold 3/8" (1/2" thermostatic mixer)
- 3 = ø 40 mm drain

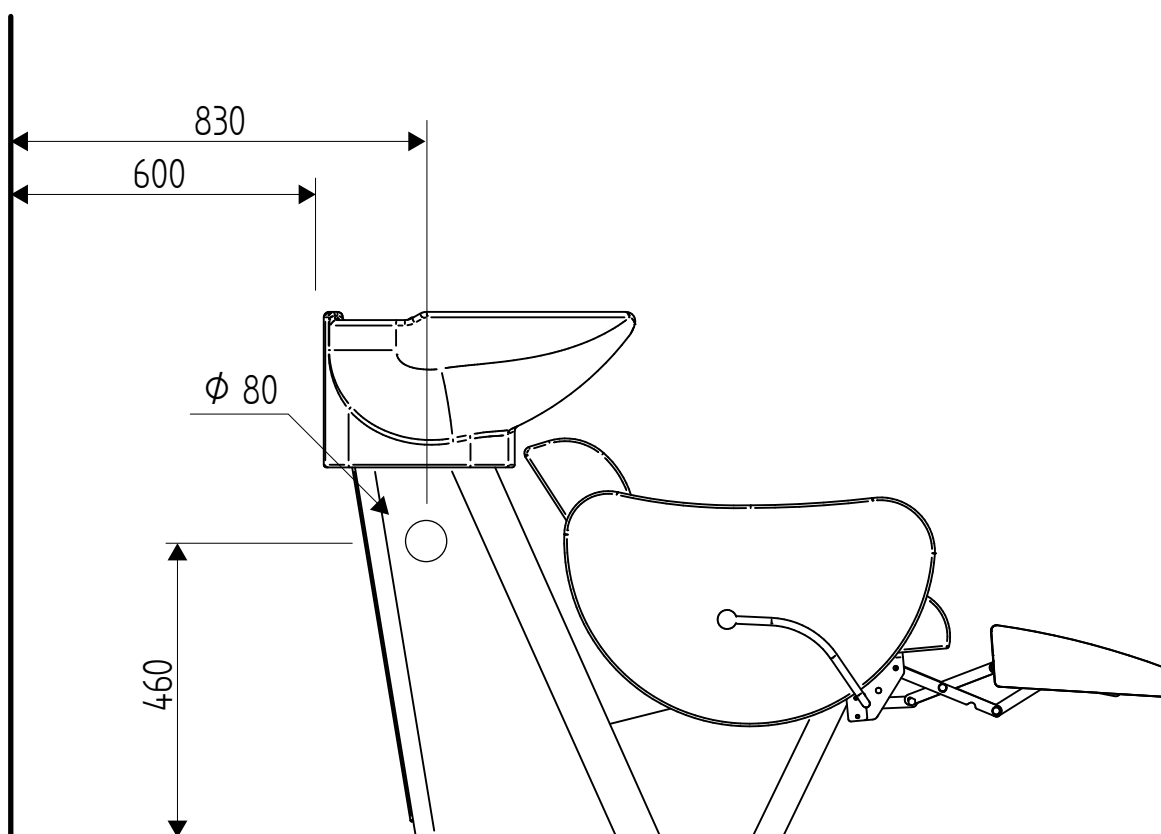
Important note The grey areas delimit the space available for installation.



FIX	Installation with carter 30 cm		Installation with carter 44 cm		Installation without carter	
	A	B	A	B	A	B
	450	600	590	740	300	600
RELAX	Installation with carter 30 cm		Installation with carter 44 cm		Installation without carter	
	A	B	A	B	A	B
	450	-	590	740	300	< 740

# INSTALLATION SURFACE

---



Dimensions in mm.



# INSTALLATION

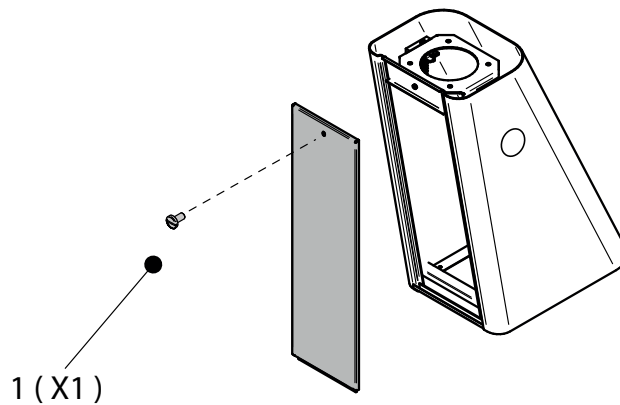
## Preparation

- 1) Open the 3 packages and remove the components: wash column, chair and basin.
- 2) Position the wash unit and mark the fixing points (Fig. 2). Drill holes for the anchor bolts.

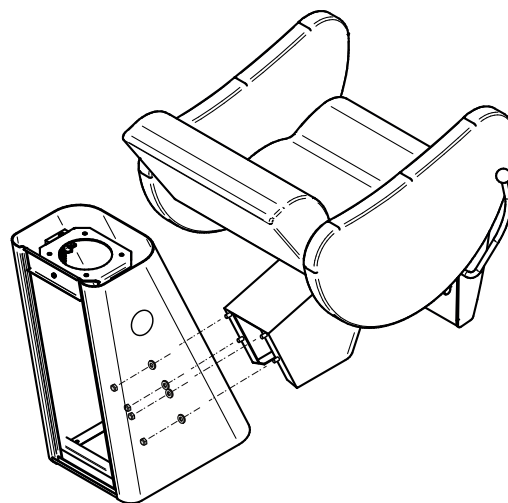
## Wash unit assembly

**WARNING: Prepare the holes for the drain and electrical power supply, if applicable before fixing the wash units, either in side-by-side arrangement or with side drain.**

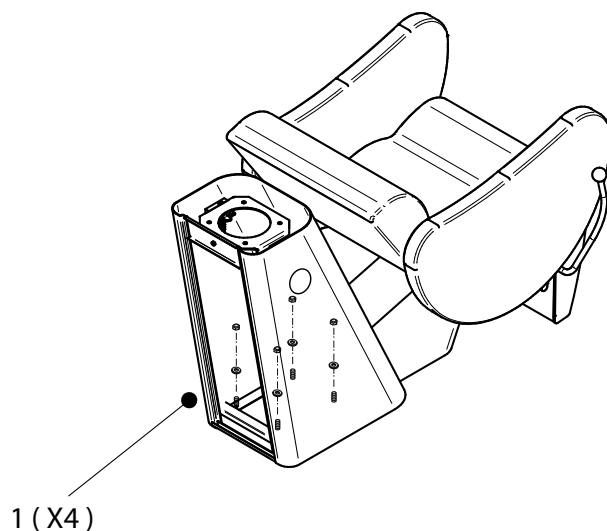
- 1) Undo the screws (1) fastening the rear casing.



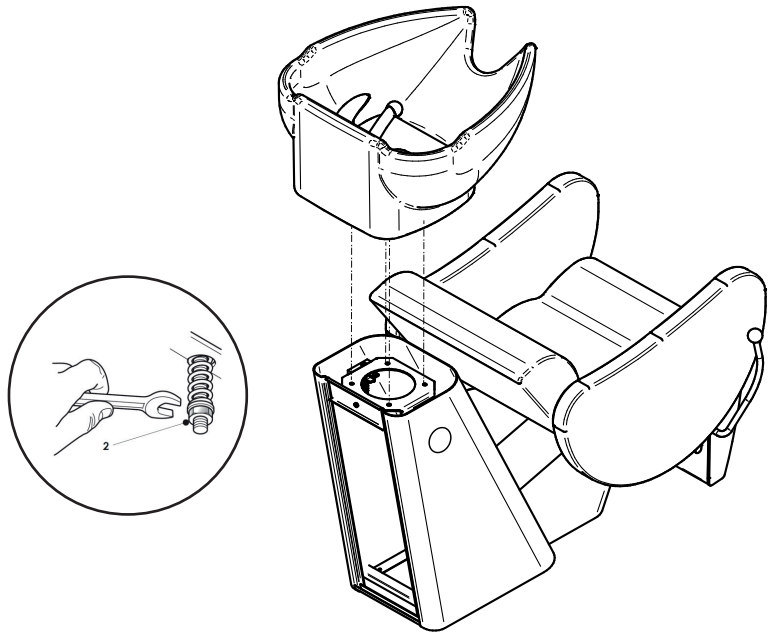
- 2) Bring the chair assembly closer to the column. Fit the 4 pins located on the plinth into the holes in the column and tighten the bolts.



- 3) Place the two nylon discs supplied (1) under the base of the wash unit and fix it to the floor with the anchor bolts suitable for the type of material of which the floor is made using the four holes provided for the purpose.



2) Mount the tub on the column:  
 Insert the 4 pins on the tub into the  
 holes of the yoke on the column  
 and tighten the bolts.



## INSTALLATION

### Floor drain

#### WARNING:

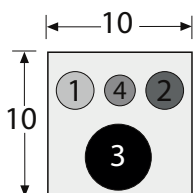
**The water connection may only be carried out by qualified technicians**

Open the side panel (Point 2) if the installation requires infeed of the power supply from the wall or in a side-by-side arrangement.

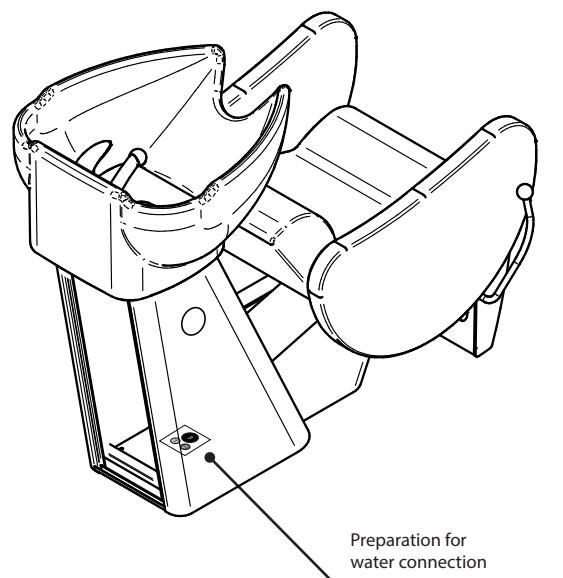
1) Install the water unit using  $\varnothing 3/8''$  hydraulic connections ( $1/2''$  if thermostatic). It is advisable to provide a gate valve upstream of each fitting.

Connections to the sewage system are established using a  $\varnothing 40$  drain pipe.

### Plant layout

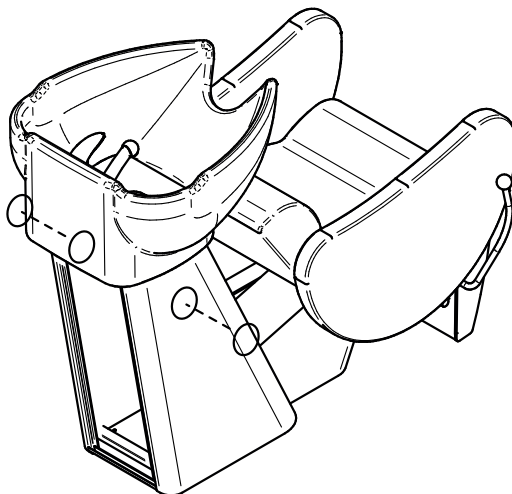


- 1 = Hot  $3/8''$
- 2 = Cold  $3/8''$
- 3 =  $\varnothing 40$  mm drain



## 2) **Wall drain**

1 = Remove the plate prepared for side installation.



## INSTALLATION

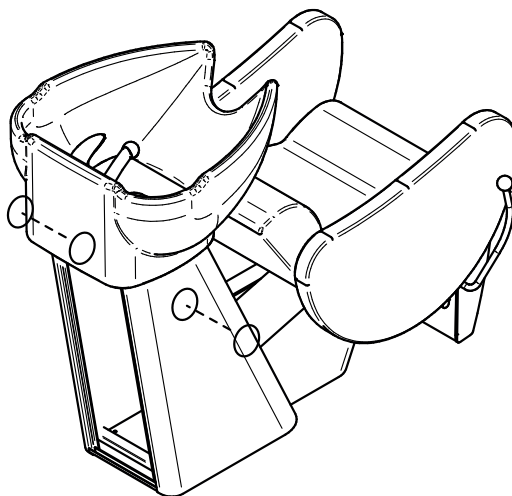
---

### **WARNING:**

**The water connection may only be carried out by qualified technicians**

### **Wall drain**

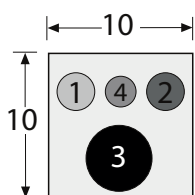
1 = Remove the plate prepared for side installation.



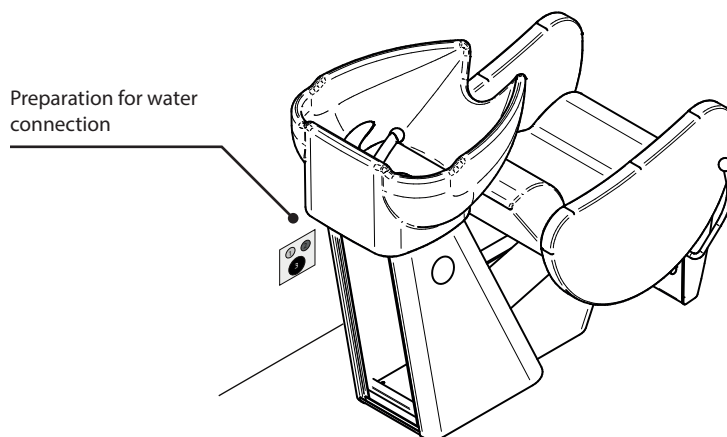
2) Install the water unit using  $\varnothing$  3/8" hydraulic connections (1/2" if optional thermostatic). It is advisable to provide a gate valve upstream of each fitting.

Connections to the sewage system are established using a  $\varnothing$  40 drain pipe.

### Plant layout



- 1 = Hot 3/8"
- 2 = Cold 3/8"
- 3 =  $\varnothing$  40 mm drain

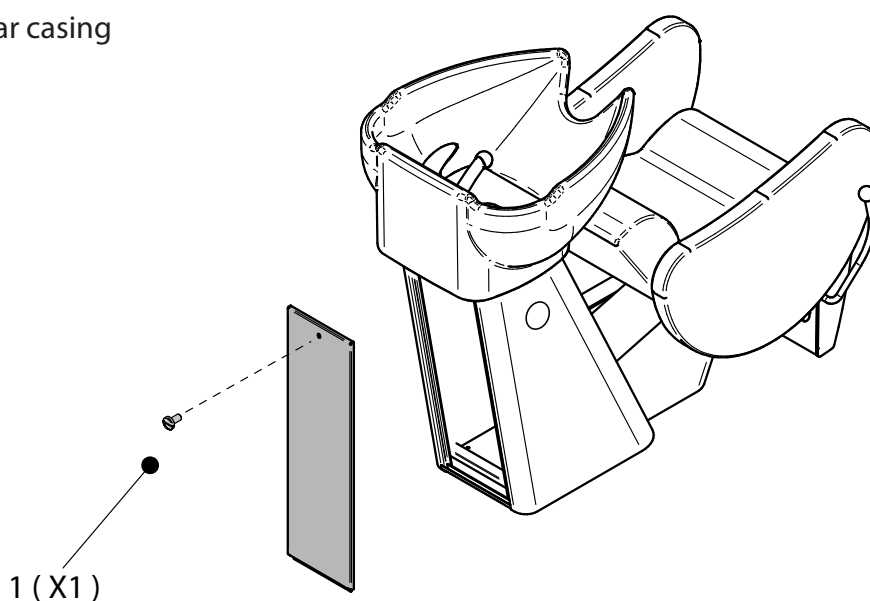


## TESTING

Once the connection has been established, test all the functions of the equipment, preferably with a person sitting in the chair:

- footrest all up
- footrest all down
- cold water (mixer all open with the lever all to the left)
- hot water (mixer all open with the lever all to the right)
- drain (partially fill the basin, remove the cap and drain, repeat operation two or three times).
- Check that there are no water leaks under the basin.

1) After testing, reposition the rear casing using the screw (1).

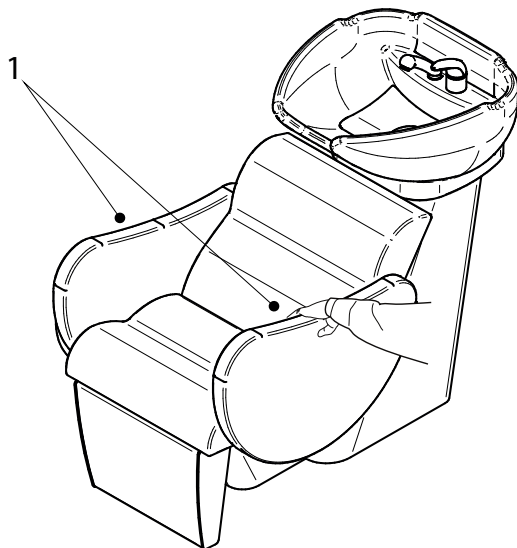


## ROUTINE MAINTENANCE

---

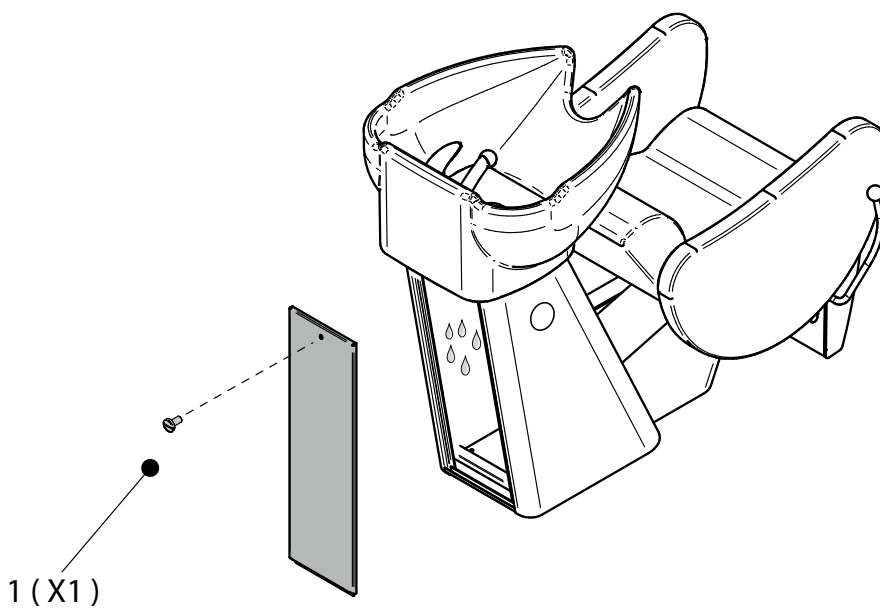
### Chair

- Check the wear condition of the chair every month.
- Check that the side armrests are firmly attached and secure (1) every six months.
- Clean and lubricate moving parts every six months.



### Washbasin unit

- Check every two months that there are no water leaks under the washbasin which could damage the base and the wash unit equipment. To do this, remove the casing of the wash unit by undoing the appropriate screw (1) so that the part under the washbasin is visible.

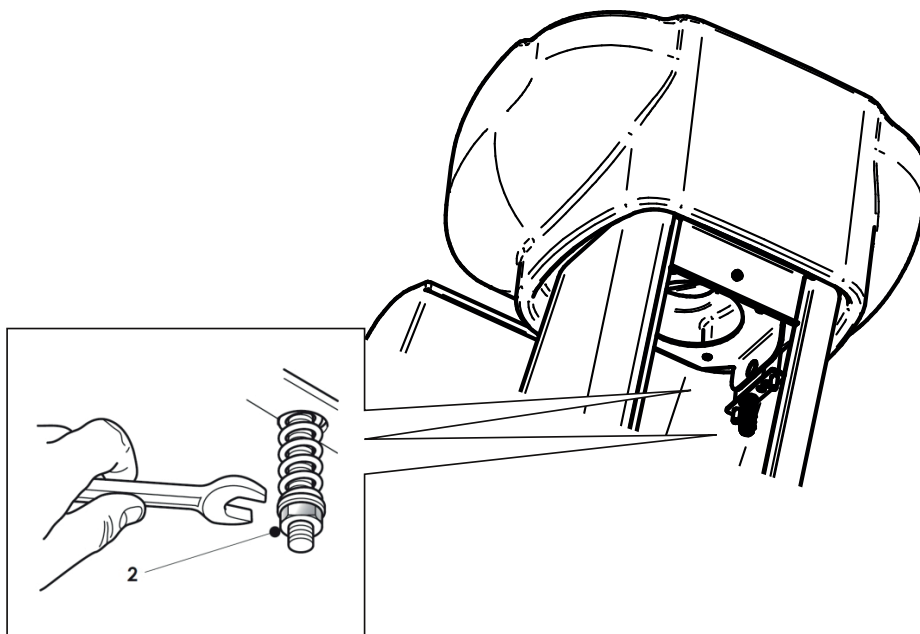


## ROUTINE MAINTENANCE

---

### Washbasin unit

- Check the tightness of the oscillating system every two months and, if necessary, tighten the two nuts (2) that adjust the stiffness of the movement of the washbasin to achieve the right friction by turning them clockwise.

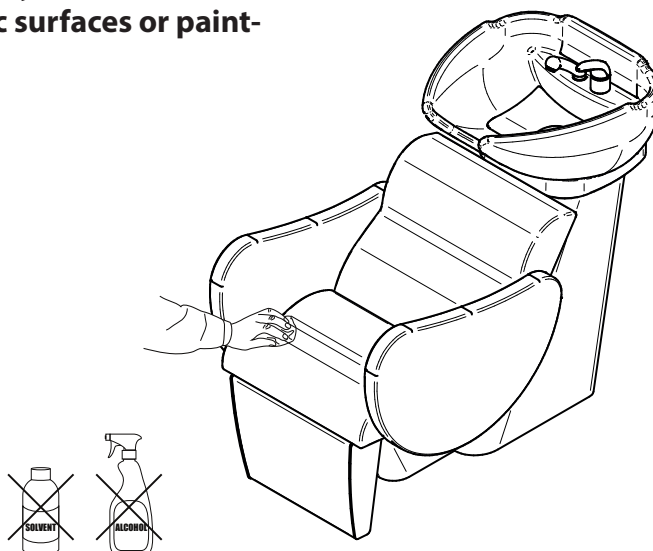


### Cleaning the surfaces

- Disconnect power to the wash unit before cleaning or doing other jobs.
- Do not use solvents to clean the metal parts. Only use a damp cloth.
- Use only sanitising liquid to clean plastic parts.
- The upholstery of the chair must be cleaned with mild soap and water.
- Do not use alcohol-based products.

**Never use aggressive or abrasive cleaning agents.**

**Please note that the chemicals contained in many hair treatment products can cause permanent stains on plastic surfaces or painted parts that cannot be removed.**



# INSTRUCTIONS FOR DISPOSAL

---



## **Disposal of packaging**

The packaging material is 100% recyclable. The various parts of the packaging must not be dispersed in the environment and must be disposed of following the regulations of your local authorities.



## **Disposal of end-of-life equipment**

Under European Directive 2012/19/EU and the current provisions on waste electrical and electronic equipment as implemented by national law, end-of-life electrical equipment must be collected separately and disposed of in an environmentally compatible recycling plant.

By ensuring that this product is disposed of correctly, you are helping to prevent potential negative consequences for health and the environment.

Please contact your local authority or waste collection service for more information on the treatment, recovery and recycling of this product.



Via Masaccio, 2 - 42124 Reggio Emilia - Italy

+39.0522.237010

Fax. +39.0522.514669

e-mail: [info@karismabeauty.com](mailto:info@karismabeauty.com)

[www.karismabeauty.com](http://www.karismabeauty.com)