

retrospec

Siesta

Inflatable Platforms



OWNER'S MANUAL

Oh, hey!

Welcome to the **retrospec** family! We're so happy to have you along for the ride. Your new inflatable platform comes with everything you need to make a splash.

A little about us:

The outside is for everyone, but not everyone feels comfortable outside. So we set out to make everyone feel at home in the open air. We believe that all people, regardless of background or experience, should enjoy the life-affirming, eye-opening beauty of nature.

The retrospec Pledge:

- ★ Invite everyone, regardless of experience
- ★ Focus on having fun, not being first
- ★ Be nice. It's that simple.
- ★ Keep spirits high, even if energy is low
- ★ Leave judgment at the doorstep

Turns out, you're a natural.

It doesn't have to be intense to be super fun, but you know that. Regardless of your experience, we're here to guide you at every step so you can feel at home outside.

Need some help? Hit us up:



Table of Contents

Safety Warnings	2-4
What's Included in Your Box	4
General Use Information	5
Caring for Your Inflatable Platform	5
Inflation Instruction	6
Create the Ultimate Hangout Haven	7
Adjustment and Seat Add-on	8
Deflation & Storage	8-9
Warranty	9-10
Contact Us	11

⚠ WARNING!

Paddlesports can be very dangerous and physically demanding. The user of this product must understand that participation in paddlesports may involve serious injury or death.

Failure to follow the warnings; precautions; and instructions below and throughout this manual may lead to serious injury or death. Do not discard this manual.

Always wear a US Coast Guard approved personal flotation device (PFD).

Minors must be supervised and wear a US Coast Guard approved PFD at all times.

DO NOT tow platform(s) behind vehicles of any kind.

Never allow riders on platform when it is moving or unsecured.

Follow weight restrictions.

Do not exceed the total weight limit for your platform.

For use in calm water only.

Find calm, sheltered, and protected waters to use your platform, away from obstructions (such as piers, rocks, sandbars, and other hazards). DO NOT use in areas with boat traffic, current, moving water, tides, or wind.

Inspect platform for leaks or punctures before every use.

Do not use if the platform is damaged or wear and tear are suspected.

Do NOT jump off of or onto platform. Do NOT dive off of platform.

Do NOT swim or play underneath platform.

Entrapment risk - Be aware of anchoring ropes or tether leashes that could be hazardous.

DO NOT use platform in swimming pools. Not intended for land based use.

DO NOT leave platform in the water unattended.

Do not exceed your physical ability or skill level.

Determine how long you are able to paddle or swim before using your platform. Do not paddle or swim in conditions that are above your skill or experience level. Do not attempt to swim from platform to land or another object.

Never use this platform before sunrise or after sunset.

Always check the weather before heading onto the water.

Don't use your platform in severe weather, if you see or hear lightning or thunder, or in strong windy conditions. Stay aware and know that conditions can change quickly.

Hypothermia can cause death:

Check water and air temperatures and dress appropriately. Hypothermia can occur in relatively warm water. Survival time decreases dramatically as water temperature drops – as quickly as 15 minutes in 35-degree Fahrenheit water (2 degrees Celsius). Wear a wet or dry suit when necessary.

Familiarize yourself with the body of water where you plan on using your platform.

Check for any known hazardous areas, hours of operation, and where the nearest help can be reached in case of emergency. Check local guides or online/apps resources for information on currents and tides, if applicable. Familiarize yourself with and abide by local boating traffic and navigation laws/regulations.

Deck materials may become slippery when wet.

Always wear slip-resistant footwear.

Bring a friend.

When recreating on or near water, always bring a buddy and inform others of your plans - where you plan to go and how long you plan to be gone.

DO NOT consume alcohol or drugs. This may affect your ability to safely operate this dock.

Pay attention to your surroundings.

Always come to a kneeling or seated position when launching or landing from a dock or platform or if you find yourself in shallow water. Do not use near dams, piers, pilings, rocks, or other hard objects or obstructions.

Stay hydrated and bring a snack.

Make sure you stay hydrated and properly fueled.

What's in the Box?

If you're missing any of these items, please let us know as soon as possible!

- Your new rolled-up inflatable platform
- Floor hand pump with integrated gauge & quick attach hose (Not included with Siesta Pup Ramp)
- 2 Tether Connection Straps (Included with Siesta Pup Ramp Only)
- Carry Bag
- Repair Kit with 2 PVC repair patches and 1 air valve wrench

What's Not in the Box?

(but you might want anyway for safety and security)

- US Coast Guard Approved Personal Flotation Device (PFD)
- UV 30+ protective clothing
- Slip-resistant footwear
- Waterproof flashlight
- Sunscreen
- Whistle
- Hat
- Sunglasses and lanyard
- Fishing rod and equipment

General Use Information

Your platform is intended for use in calm water at least 8' deep. Use common sense and make sure you follow all warnings and guidelines for safety, care, use, and maintenance.

Caring for Your Platform

We have a feeling you're going to love your new platform. There are a few things you should know about caring for your platform before taking it out. Hey, we all need some TLC.

Do not store your platform (inflated or uninflated) in direct sunlight or excessive heat conditions, such as inside a closed vehicle. Excessive heat will increase the pressure beyond the recommended PSI and may cause irreversible damage.

If you must store your inflated platform in the sun temporarily, protect it by placing it in the shade or by covering it with a towel. Release a small amount of air pressure to allow it room to expand from the heat. Pump it back to full pressure before using it again.

DO NOT drag your platform across the ground. Doing so can cause damage and will void the warranty.

Rinse your platform with fresh water after every use. Allow the deck pad to dry thoroughly before rolling or storing.

Properly fold your platform. Fold your platform from the side opposite of the valve toward the valve end and allow the platform to deflate completely.

Do not leave your platform inflated for extended periods of time. Rinse, dry, and store after every use.



Inflation Instructions

1. Prepare the Platform:

Find a clean, flat surface free of any debris or sharp objects and unroll your platform with the deck and valve facing up.

2. Prepare the Valve:

Remove the valve cover. Before you start to inflate, make sure the inflation valve stem is closed to keep air from escaping (in the UP position). If the inflation valve stem is down and air is escaping, press and turn the valve stem so that it pops back up.

3. Assemble the Pump:

Screw the pump hose and pressure gauge into the pump handle.

4. Secure the Hose to the Valve:

Push the hose into the air valve and twist clockwise until you feel it lock onto the valve.

5. Inflate:

Begin pumping air into the platform. Note that the pressure gauge will not register pressure right away. Once the platform reaches the desired pressure, remove the hose from the valve and replace the valve cap onto the valve body. Recommended pressure is 7-10 PSI. Check pressure before each use.

6. Transport:

Do not transport your platform fully pressurized. Traveling from low to high altitudes will increase air pressure in the chamber and can damage your platform due to over-pressurization.

7. WARNING: Do Not Exceed the Recommended Pressure!

Do not use an unregulated air compressor to fill the platform. Exceeding the recommended pressure will permanently damage the platform and voids the warranty.

8. If the Valve Leaks:

Use the supplied air valve wrench from the repair kit to tighten the valve clockwise and stop the leak.

	Siesta Dock 7' x 7' x 8"	Siesta Dock 10' x 10' x 8"	Siesta Hammock 8' x 8' x 8"	Siesta Hammock 10' x 10' x 8"	Siesta Pup Ramp 52" x 36" x 7"
Weight Limit	1050 lbs	1500 lbs	660 lbs	1150 lbs	120 lbs

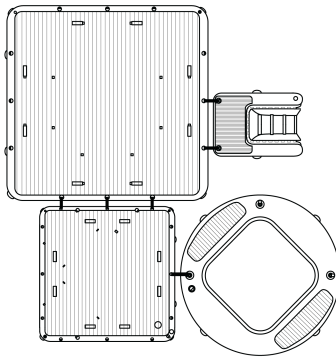
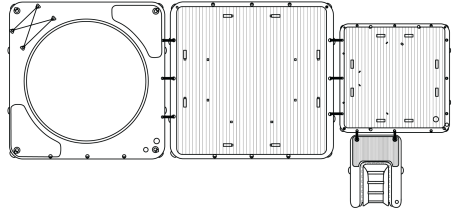
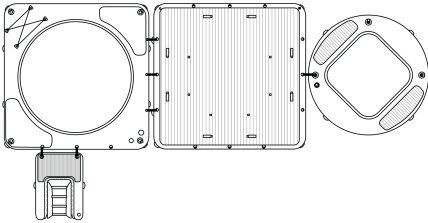
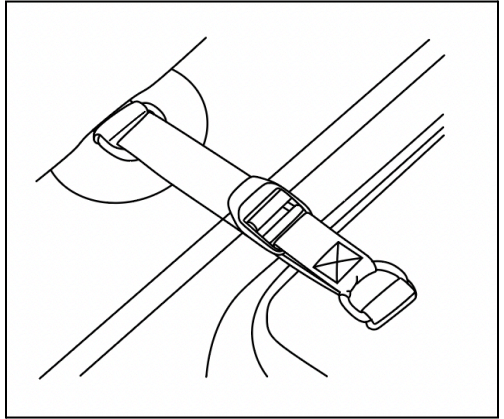
Create the Ultimate Hangout Haven

Each product in the Siesta line can be tethered in any configuration you'd like. The possibilities are endless! Create your own unique combination of docks, hammocks, and pet ramps for a customizable experience like no other.

Tether Attachment

1. Align the D-rings on adjacent platforms.
2. Thread the Tether strap through both D-rings and tighten using the ladder lock buckle.

NOTE: Tether Connection Straps are only included with Siesta Pup Ramp. Additional straps sold separately.

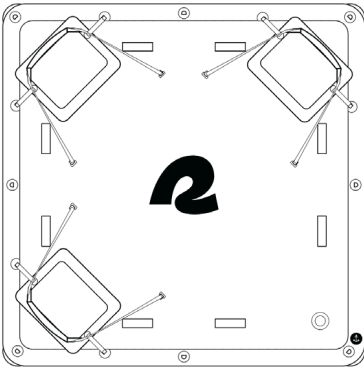


Adjust Siesta Hammock

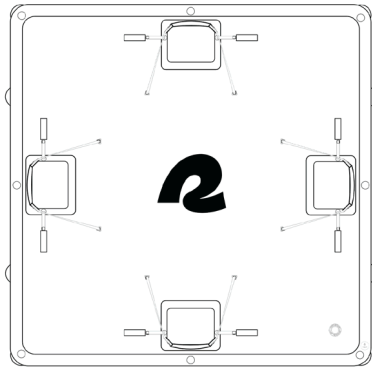
Need to make an adjustment to your hammock? The mesh net is threaded on the underside of the hammock using a durable rope, which can be tightened or loosened based on your preference.

Attach AerComfort Seats (Add On)

Siesta Dock



Siesta Dock XL



Deflation and Storage

1. Clean and Dry:

With the platform inflated and the valve closed, rinse the platform with fresh water to clean it of any sand or debris. Allow it to dry completely. Do not store while still wet to prevent mildew buildup.

2. Deflate:

- a. Once the valve area is dry, remove the valve cap, keeping your face away from the valve as the air will escape rapidly at first and could cause harm.
- b. Press down lightly on the inflation valve stem to release some of the air – which will slow down after the initial strong burst.
- c. Press and turn the inflation valve stem to lock the stem in the open (DOWN) position to fully deflate the platform.
- d. Once the platform is fully deflated, press and turn the inflation valve stem to the closed (UP) position.

3. Fold:

- a. Always fold the platforms with the deck pads facing inside.
- b. Wrap the strap around the folded platform and fasten the buckle to secure.
- c. Refer to the website for a step-by-step folding guide.

Storage

Place your platform back into its bag and store in a safe place. Make sure it is protected from the elements, extreme heat or cold.

PLEASE NOTE: To maximize the lifespan of your platform, do not store the platform fully inflated (not even temporarily). It is important to deflate the platform after every use.

Warranty

retrospec warrants manufacturer defects on all platforms for up to two years from the date of purchase.

We warrant against any manufacturer defect in workmanship and materials during this two-year window. Determining manufacturer defects is at the sole discretion of **retrospec**. We reserve the right to request images or otherwise for proof of manufacturer defect. This warranty commitment does not cover claim conditions listed below.

This warranty commitment for inflatable platforms does not cover claim conditions including:

Damage or defects incurred by impact with any damaging materials or objects including, but not limited to rocks, shoals, docks, other boards, boats, etc. are NOT covered by the warranty.

Damage or defects incurred by use outside of the platform's intended purpose is NOT covered by the warranty.

Damage incurred due to normal wear and tear of the platform is NOT covered by the warranty.

Damage or defects incurred by transporting, loading, unloading, dropping, or general mishandling of the platform is NOT covered by the warranty.

Damage or defects incurred due to incorrect prolonged storage of platform including, but not limited to storing in extreme temperatures over 90°F and/or under 32°F, prolonged

exposure to direct sunlight while not in use, or prolonged storage in closed, damp conditions is NOT covered by the warranty.

Platforms used in rental, commercial, classes, or otherwise are NOT covered under warranty

Damage incurred by improper forcing, shoving, or general improper installation are NOT covered by the warranty.

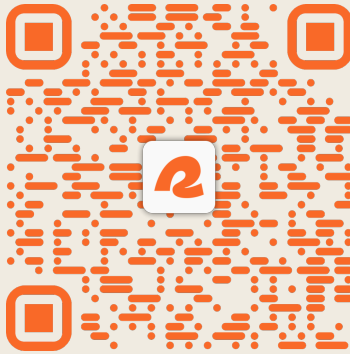
Improper use of air valve wrench/repair kit contents are NOT covered under warranty

Any modifications made to your inflatable platform including, but not limited to, the replacement of parts or components with non-original equipment or the addition of aftermarket motors, seats, or otherwise voids the warranty



Contact Us

Need some help with your new platform? Just want to say “hey” and talk to someone on our team? We’re here for that too.



Give us a follow, while you’re at it:

@retrospec

#retrospec

#readytooutdoor