



A CSW Industrials Company

# PRODUCT DATA SHEET

## DUST FREE® ACTIVE UV-C Light/Ionization Whole Home Air Purification

### Description

The Dust Free® Active Air Purifier is a compact, duct-mounted, air purifier that is effective at reducing dust, dander, VOC's, odors and inactivates virus in the air.<sup>1</sup> Installed into the supply plenum of your HVAC system, the Dust Free Active Air Purifier's UV light and ionization system effectively reduce pollutants.

### Applications

The Dust Free Active Air Purifier's unique, dual technologies target air quality problems at the source using germicidal UV-C and ionization systems to clean the air in your home. The UV-C light and ionization provide the comprehensive IAQ solution. Laboratory tests have also proven that the Dust Free Active can reduce airborne bacteria.

Recommended for HVAC systems for whole home air purification, reducing dust, dander, VOC's, odors and other allergens.

### Packaging

Code	Description	Qty per Case	Lbs per Case	Cubic Feet per Case
89230	Active Air Purifier, 6"	6	25.5	4.84
89231	Active Air Purifier, 12"	6	30	4.45

### Installation Instructions

#### Before Installation

- Read all instructions carefully. Failure to do so could damage the equipment or cause harm to yourself or others.
- Acknowledge all warnings.
- Only qualified technicians should perform the installation.

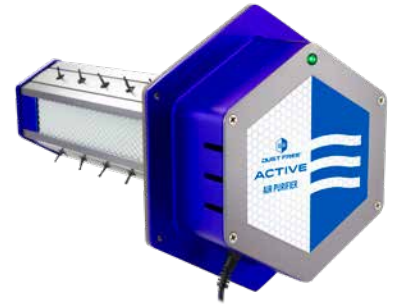
**⚠ WARNING Electric Shock Hazard. Can cause injury or death.** Electrical wiring of the unit to the HVAC system should be done by a licensed HVAC technician or electrical installer.

**⚠ WARNING UV Light Hazard. Can cause serious eye and skin damage.** Do not look at UV-C light. Wear UV-C eye and skin protection.

**⚠ WARNING Mercury Hazard. Do Not Break.** UV-C lamp contains a small amount of Mercury. May cause redness or irritation. Manage in accordance with disposal laws - [www.lamprecycle.org](http://www.lamprecycle.org)

#### Included

- Active Air Purifier System
- 24VAC power supply
- Core
- UV-C lamp
- 40VA transformer
- Mounting plate
- Mounting hardware
- Installation instructions



### Characteristics | Features

- Dual active air purification technologies provide a comprehensive IAQ solution.
- Reduces particulate matter such as dust and dander by improving the performance of your existing filtration system using millions of charged ions.
- Innovative carbon fiber brushes increase ion production.
- Effective against odors, VOC's, and inactivates virus in the air.<sup>1</sup>
- Expanded range ballast for increased electrical reliability.
- Auxiliary power port to power an additional 24V Germicidal UV-C light allowing to easily add an additional UV light to any HVAC system.
- Highest quality construction.

EPA Establishment No. 73316-TX-1

Visit [dustfree.com/testing](http://dustfree.com/testing) for a list of micro organisms inactivated by Dust Free products.

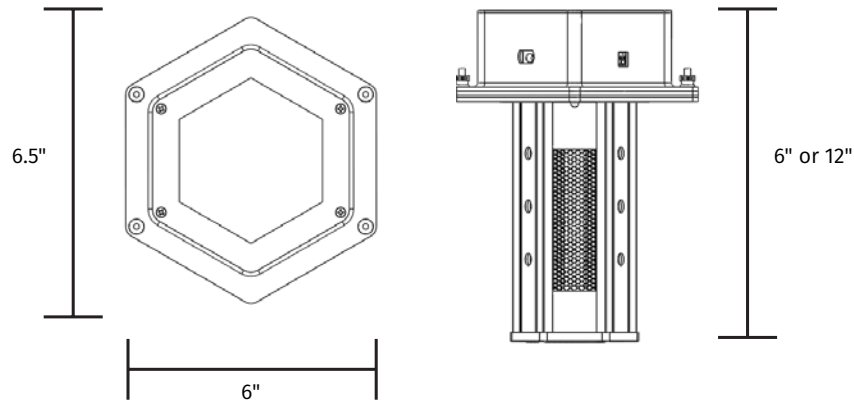
The product and technologies described are not medical devices, and are not intended to diagnose, treat, cure, or prevent any disease or illness.

<sup>1</sup>MS2 virus and Staphylococcus epidermis bacteria.

# DUST FREE® ACTIVE

## UV-C Light/Ionization Whole Home Air Purification

### Specifications



Model	Dust Free Active 6"	Dust Free Active 12"
Product Code	89230	89231
Dimensions - Power Module	6.5"H X 6"W X 6"L	6.5"H X 6"W X 12"L
Dimensions - Mounting Plate	8"H x 8"W	8"H x 8"W
Electrical	24V 50/60Hz. Expanded range ballast 20V–32V. 1.4A. 3000V surge protection.	
Weight	2.5 lbs	3 lbs
Tonnage	Up to 2.5 ton systems	3+ ton systems
Core life/Lamp life	4 years / 2 years (18,000 hours)	
Humidity	Water resistant lamp	
Replacement Core Product Code	89233	89234
Replacement Lamp Product Code	89235	89236

### UV Installation Notes

- This device is meant only to be installed in the duct portion of the HVAC system.
- The unit should be mounted directly to a metal surface.
- The duct work around the installation area should be clean and dry to insure proper adhesion of the gasket materials and any tape used.
- An approximate 4" opening will need to be cut into the existing duct work to install the device properly.

### Airflow Orientation

- Be sure to orient the device for proper airflow through the core. Proper airflow direction is indicated by an arrow on the tip of the core. (See Fig. 2)

### 24VAC Electrical Requirements

- Connect black and white wires to a dedicated 40VA transformer.

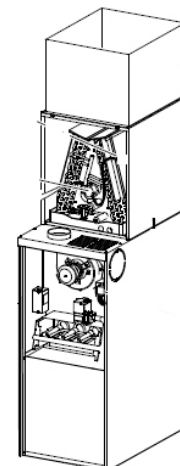


Fig. 1 HVAC system

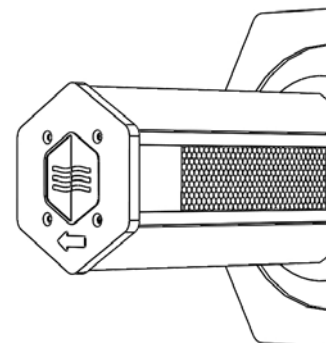


Fig. 2 Orient device in proper airflow direction as indicated

# DUST FREE® ACTIVE

## UV-C Light/Ionization Whole Home Air Purification

### Metal Ductwork Installation

- Locate a suitable area of the duct for installation. Minimum 8" area.
- If needed, cut away insulation to expose metal duct.
- Mark location for 4" opening using the included mounting plate as a template.
- Cut opening for the device.
- Remove the backing from the mounting plate gasket, center mounting plate over opening, and press onto the duct. The adhesive gasket will hold the mounting plate in place.
- Secure the mounting plate using self-tapping screws.
- Insert device into opening and secure with knurled nuts. **Note: Be sure airflow will pass in the proper direction as indicated by the arrow on the top of the core. (See Fig. 2)**
- Connect to proper power and test operation. The operation indicator light on the face of the device should be on.

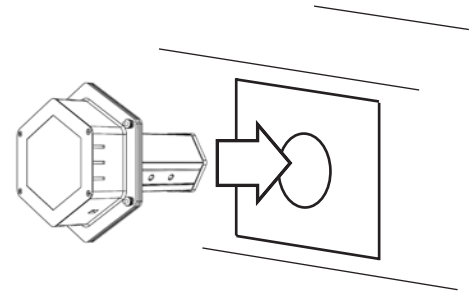


Fig. 3 Cut opening in duct, attach mounting plate, and install device

### Fiberglass Ductwork Note

- For fiberglass ductwork installations use 3" toggle bolts to attach mounting plate.

### Maintenance/UV Lamp Indicator

- For optimal performance, replace the device core every 4 years and UV-C lamp every 2 years, even if the UV-C lamp appears to be operating normally.
- The operation indicator on the face of the device should glow during normal operation. If the indicator does not glow and the unit has power, the device core should be replaced.

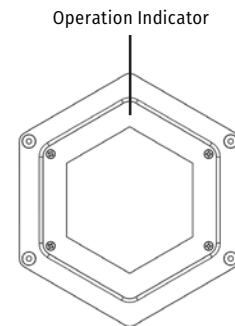


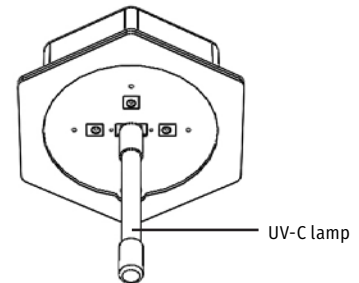
Fig. 4 Operation indicator

### Changing the Core or UV-C Lamp

- Disconnect the device from power.
- Removed the knurled nuts securing the device and remove the device from the core.
- Remove the screws securing the core.
- Remove the core from the device and dispose of properly. **Note: If only changing the UV-C lamp, detach lamp from device and dispose of properly.**
- Secure the new core or new UV-C lamp to the device.
- Reverse the previous steps to return the device to operation.

### Disposal of Core or UV-C Lamp

Dispose of spent core and UV-C lamp at your local recycling center.



### Limited Warranty

7-yr power supply; 4-yr core; 2-yr lamp

For more information on our product limited warranty, visit [RectorSeal.com](http://RectorSeal.com)

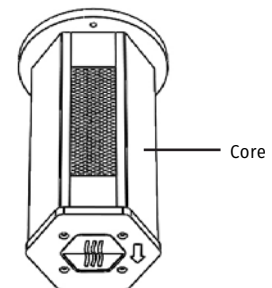


Fig. 5 Replace core every 4 years and UV-C lamp every 2 years

Manufactured for

**RectorSeal, LLC**

**2601 Spenwick Drive • Houston, TX 77055, USA • 800-231-3345 • Fax 800-441-0051 • [rectorseal.com](http://rectorseal.com)**  
3255 Wyandotte St. East, Windsor, ON N8Y 1E9, 519-966-4901

A CSW Industrials Company. RectorSeal, the logos and other trademarks are property of RectorSeal, LLC, its affiliates or its licensor's and are protected by copyright, trademark and other intellectual property laws, and may not be used without permission. RectorSeal reserves the right to change specifications without prior notice. ©2022 RectorSeal. All rights reserved. R50846-04/22