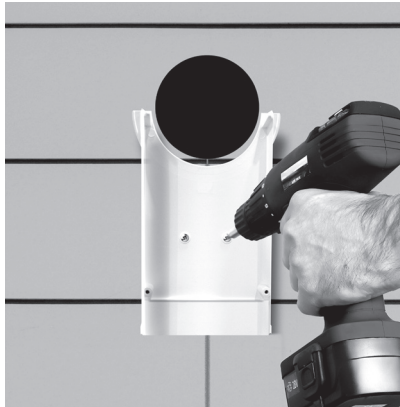
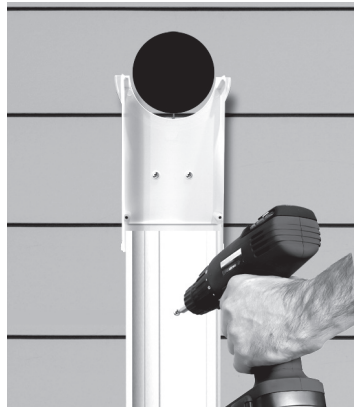


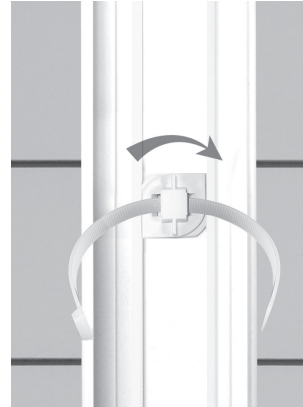
## Installation instructions



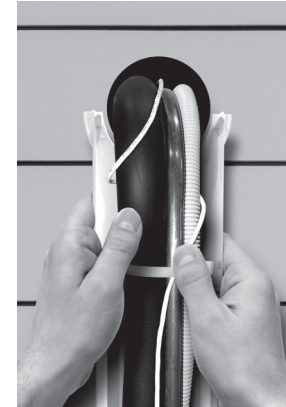
**(1)** Determine the path which the lineset will follow and strike a chalk line to mark the surface material. Attach the base only of all fittings first (ducting will be placed last), along the marked path, using fasteners of sufficient length (not provided). Pre-drill where necessary. **Duct must terminate with a fitting to prevent cover from sliding out of position.**



**(2)** Once all fitting bases are secured to the structure, measure and cut ducting to fit as needed. Remember to account for some seasonal expansion and contraction. Install and fasten ducting bases. Attach bases to structure using fasteners of sufficient length (not provided).



**(3)** Position and twist in lineset duct clips evenly spaced throughout installation. Nylon cable ties (not included) slip through lineset duct clips and fasten around lineset.

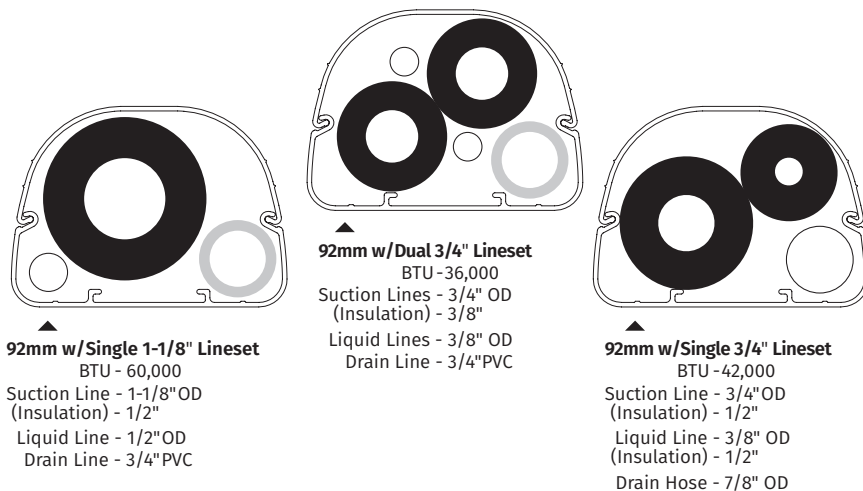


**(4)** Run lineset, drain hose, wiring etc. over the fitting and duct bases and secure to duct clips using tie wraps of sufficient size.

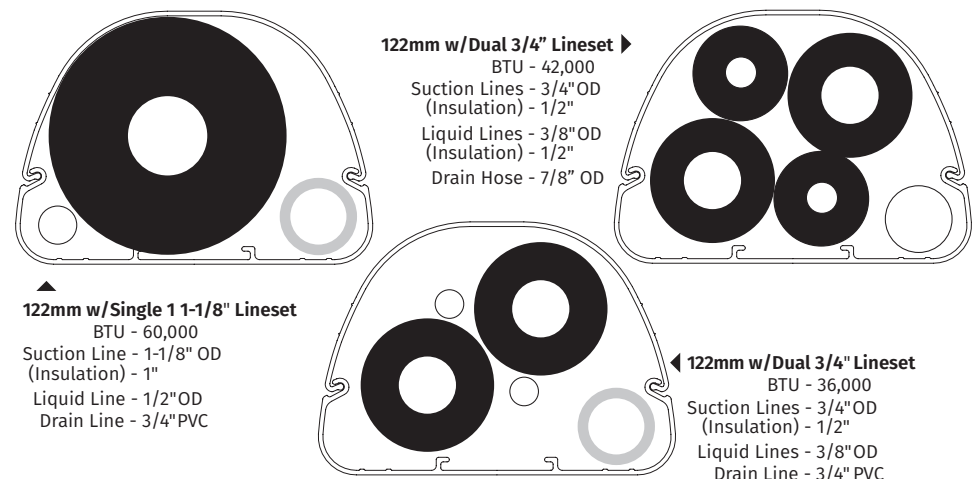


**(5)** Snap straight duct top over mating straight base pieces. Seat fitting tops over mating fitting bases and secure with provided stainless steel screws. Duct **must** terminate with a fitting to prevent cover from sliding out of position. **If duct is to be painted, or duct is a dark color, adhere cover to base with pvc cement.**

### Typical lineset\* capacity 92mm 3 1/2" W x 2 1/2" D



### 122mm 4 1/2" W x 3 1/4" D



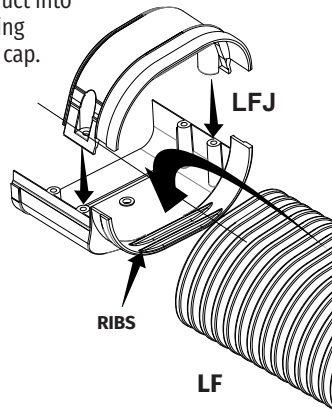
\* Lineset size may change on Seer Rating

# Specialty fitting installation instructions

## Flexible duct / LFJ adaptor

### INLINE COUPLING

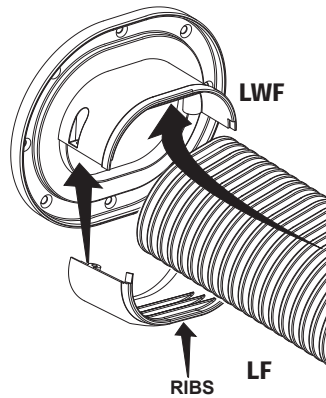
- (1) Secure fitting and duct bases to structure.
- (2) Cut LF duct to length and place in LF adaptor.
- (3) Secure LF duct with split cap and two stainless steel screws.
- (4) Secure LF duct into adaptor by fitting second part of cap.



## Flexible duct / LWF wall flange

### WALL CONNECTION

- (1) Seal and attach LWF wall flange to structure.
- (2) Place LF duct into LWF wall flange.
- (3) Clamp LF duct with cap and two stainless steel screws.

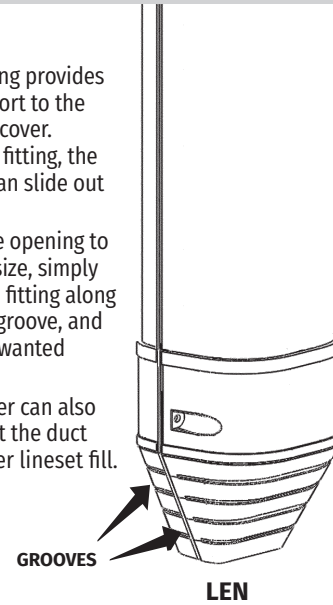


## LEN End fitting

LEN end fitting provides critical support to the lineset duct cover. Without this fitting, the duct cover can slide out of place.

To adjust the opening to suit lineset size, simply snip the end fitting along the desired groove, and break off unwanted sections.

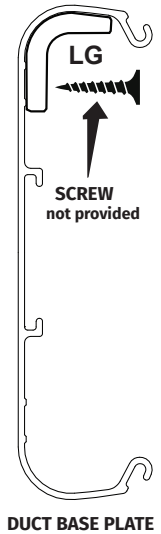
The LJ coupler can also be utilized at the duct end for larger lineset fill.



## LG Gusset

LG Gussets are used for horizontal line duct installations, adding additional support to the duct.

- (1) After installing the line duct base plate horizontally on a wall, identify where the gussets will be installed on the duct. (Recommendation - install gussets every 16" center on stud or as needed on the install)
- (2) Screw gussets into the top portion of the Fortress Line duct as shown. Screws not provided.



## Fitting List Available in WHITE, IVORY, BROWN and GRAY. Sizes 3 1/2" (92mm) or 4 1/2" (122mm).

<b>Ducting (90" lengths)</b>	<b>LD</b>	<b>90° Inside Vertical Ell</b>	<b>LCI</b>	<b>Flexible Ell</b>	<b>LF</b>
<b>Coupler</b>	<b>LJ</b>	<b>90° Outside Vertical Ell</b>	<b>LCO</b>	<b>Flexible Adaptor</b>	<b>LFJ</b>
<b>Wall Inlet</b>	<b>LW</b>	<b>45° Inside Vertical Ell</b>	<b>LCFI</b>	<b>Flexible Wall Flange</b>	<b>LWF</b>
<b>Soffit Inlet</b>	<b>LP</b>	<b>45° Outside Vertical Ell</b>	<b>LCFO</b>	<b>45°-90° Adjustable Outside Vertical Ell</b>	<b>LCA</b>
<b>End Fitting</b>	<b>LEN</b>	<b>Tee</b>	<b>LT</b>	<b>45°-90° Adjustable Flat Ell</b>	<b>LKA</b>
<b>90° Flat Ell</b>	<b>LK</b>	<b>Reducer</b>	<b>LDR</b>	<b>Twistlock Lineset clips*</b>	<b>LDC</b>
<b>45° Flat Ell</b>	<b>LKF</b>	<b>90° Sweep Ell</b>	<b>LKS</b>	<b>Gussets*</b>	<b>LG</b>

\*Internal ducting accessories available in white only. For use on both 3 1/2" & 4 1/2" duct sizes.



RectorSeal® 2601 Spenwick Drive Houston, TX 77055 800-231-3345 rectorseal.com  
 RectorSeal, the logos and other trademarks are property of RectorSeal, LLC, its affiliates or its licensors and are protected by copyright, trademark and other intellectual property laws, and may not be used without permission.  
 RectorSeal reserves the right to change specifications without prior notice. ©2022 RectorSeal. All rights reserved. R50870-0522