



OWNER'S MANUAL
BRUGERVEJLEDNING
BRUKERHANDBOK
KÄYTTÖOPAS
MANUAL DO UTILIZADOR
MANUAL DEL PROPIETARIO



CLASSIC 4 BURNER GAS GRILL WITH ONE POWER BURNER
CLASSIC GASGRILL MED 4 BRÆNDERE MED ÉN "SEAR" BRÆNDER
KLASSISK GASSGRILL MED 4 BRENNERS OG ÉN EFFEKTIV BRENNER
KLASSINEN 4-POLTTIMELLINEN KAASUGRILLI YHDELLÄ POLTTIMEN PÄÄLLÄ
CHURRASQUEIRA A GÁS CLÁSSICA DE 4 QUEIMADORES COM UM QUEIMADOR DE POTÊNCIA
PARRILLA DE GAS CLÁSICA DE 4 QUEMADORES CON UN QUEMADOR DE ALTA POTENCIA

MODEL / MODELL / MODEL / MODELL / MALLI / MODELO
720-0925PS

For outdoors use only. / Kun til udendørs brug. / Kun for /
utendørs bruk. / Vain ulkokäyttöön. / Apenas para uso
externo. / Sólo para uso en exteriores.

NEXGRILL®

Part Number:
19001227A0



2531DQ-0002
2531-25



QUESTION? / SPØRGSMÅL? / SPØRSMÅL? / KYSYMYS? / PERGUNTA? / ¿PREGUNTA?

+49 5251 875 6174 | ServiceDE@nexgrill.de (DE)

+45 60 20 60 71 | ServiceDK@nexgrill.com (DK)

SERIAL # / NUMÉRO DE SÉRIE / NÚM. DE SERIE:	
MFG. DATE / DATE DE FABRICATION / FECHA DE MANUFACTURA:	
PURCHASE DATE / DATE D'ACHAT / FECHA DE COMPRA	

- Use Outdoors only.
- Read the instructions before using the appliance.
- **WARNING:** Accessible parts may be very hot. Keep young children away.

- Kun til udendørsbrug.
- Læs og følg alle advarsler og instruktioner før samling og brug af dette apparat.
- Tilgængelige dele kan blive meget varme. Hold mindre børn på afstand.

- Kun for utendørs bruk.
- Les instruksjonene før du bruker apparatet.
- **ADVARSEL:** Tilgjengelige deler kan bli svært varme. Hold små barn på avstand.

- Käytettävä vain ulkona.
- Lue ohjeet ennen laitteen käyttöä.
- **VAROITUS:** Käytettävissä olevat osat voivat olla hyvin kuumia. Pidä pienet lapset poissa.

- Utilize apenas no exterior.
- Leia as instruções antes de utilizar o aparelho.
- **AVISO:** As partes acessíveis podem ficar muito quentes. Mantenha crianças pequenas afastadas.

- Utilice solo al aire libre.
- Lea las instrucciones antes de usar el aparato.
- **ADVERTENCIA:** Las partes accesibles pueden estar muy calientes. Mantenga alejados a los niños.

SAFETY INSTRUCTIONS

⚠ DANGER

If you smell gas:

- Shut off gas to the appliance.
- Extinguish any open flame.
- Open lid.
- If odor continues, keep away from the appliance and immediately call your gas supplier or your fire department.

⚠ WARNING

- Do not store or use gasoline or other flammable liquids or vapors in the vicinity of this or any other appliance.
- A liquefied petroleum gas cylinder not connected for use shall not be stored in the vicinity of this or any other appliance.

⚠ WARNING

To reduce the risk of fire, electrical shock, injury to persons, or damage when using the outdoor cooking gas appliance, follow basic precautions, including the following:

- Use Outdoors only.
- Read the instructions before using the appliance.
- **WARNING:** Accessible parts may be very hot. Keep young children away.
- Do not move the appliance during use.
- If the appliance is stored indoors the gas cylinder must be disconnected and removed from the appliance.
- Check and clean burner/ venturi tubes for insects and insect nests.

LIQUEFIED PETROLEUM GAS CYLINDER SUPPLY SYSTEM

- Gas cylinders must be stored outdoors in a well-ventilated area out of the reach of children.
- Gas cylinders must not be stored in a building, garage, or any other enclosed area.
- The gas cylinder supply system must be arranged for vapor withdrawal.
- Gas cylinder must include a collar to protect the cylinder valve.
- Never connect an unregulated gas cylinder to your gas grill.
- Only the pressure regulator and hose assembly supplied with the grill should be used. Any replacement pressure regulator and hose assembly should comply with EN 16129:2013 and the national regulation.
- The flexible hose used, with a length not exceeding 1.50 meters, should comply with EN 16436-1:2014+A3:2020.
- This grill is configured for liquefied petroleum gas. Do not use a natural gas supply.
- Inspect the gas cylinder supply hose before each use of the outdoor cooking gas appliance. If the hose shows excessive abrasion or wear, or is cut, it **MUST** be replaced before using the outdoor cooking gas appliance.
- If a leak is found, turn the gas cylinder valve off, disconnect fuel line from grill, and do not use the grill.
- Contact your dealer and use only replacement hoses specified for use with the outdoor cooking gas appliance.
- A replacement pressure regulator and hose assembly specific to your model is available from your outdoor cooking gas appliance dealer.
- Always check connections for leaks each time you connect and disconnect the gas supply cylinder. See "Gas Connection Requirements" section.
- It is recommended to change the flexible hose when the conditions require it.
- Make sure that the gas hose is not subjected to twisting.

SAFETY PRACTICES TO AVOID PERSONAL INJURY

- This appliance must be kept away from flammable materials during use.
- Keep outdoor cooking gas appliance area clear and free from combustible material, gasoline and other flammable vapor and liquid.
- Do not obstruct the flow of combustion and ventilation air. Keep the ventilation openings of the storage enclosure free and clear from debris.
- The outdoor cooking gas appliance shall not be located under overhead unprotected combustible construction.
- This outdoor cooking gas appliance shall be used only outdoors and shall not be used in a building, garage, or any other enclosed area.

SAFETY INSTRUCTIONS

If the following information is not followed exactly, a fire causing death or serious injury may occur.

- Do not store a spare gas cylinder under or near this outdoor cooking gas appliance.
- Never fill the gas cylinder beyond 80 percent full.
- When changing the gas cylinder, make sure you are away from any source of ignition.
- CLEAN GRILL BEFORE EACH USE TO PREVENT GREASE BUILDUP AND REDUCE THE RISK OF GREASE FIRES.
- This appliance will be hot during and after use. Use insulated oven mitts or gloves for protection from hot surfaces or splatter from cooking liquids.
- Parts sealed by the manufacture shall not be altered by the user.
- Do not modify the appliance. Any modification of the appliance may be dangerous.
- Turn off the gas supply at the gas cylinder after use.
- When the outdoor cooking gas appliance is not in use, the gas must be turned off at the supply cylinder.
- Do not install portable or built-in outdoor cooking gas appliances in or on a recreational vehicle, portable trailer, boat or in any other moving installation.
- Always maintain minimum clearances from combustible construction, see "Location Requirements" section on p.4.
- Keep any electrical supply cord and fuel supply hose away from any heated surfaces.
- Store the appliance in a dry, cool place when it is not use in a period time.

- Minimum clearance of 1 meter must also be maintained below the cooking surface, and the grill shall not be used under overhead combustible construction.
- Maintain a clearance of 3 meters from objects that can catch fire or sources of ignition, such as pilot lights on water heaters, live electrical appliances, etc.

⚠ CAUTION: BEWARE OF FLASHBACK

CAUTION: Spiders and small insects occasionally spin webs or make nests in the grill burner tubes during transit and warehousing. These webs can lead to gas flow obstruction, which could result in a fire in and around burner tubes. This type of fire is known as "FLASH-BACK" and can cause serious damage to your grill and create an unsafe operating condition for the user.

Although an obstructed burner tube is not the only cause of "FLASH-BACK", it is the most common cause.

To reduce the chance of "FLASH-BACK", you must clean the burner tubes before assembling your grill, and at least once a month in late summer or early fall when spiders are most active. Also perform this burner tube cleaning procedure if your grill has not been used for an extended period of time. A clogged tube can be lead to a fire beneath the grill.

⚠ WARNING

Do not try lighting this appliance without reading the "LIGHTING INSTRUCTIONS" section of this manual.

TESTED IN ACCORDANCE WITH EN 498 & EN 484 STANDARDS FOR OUTDOOR COOKING GAS APPLIANCE. THIS GRILL IS FOR OUTDOOR USE ONLY.

NOTE: The normal flow of gas through the regulator and hose assembly can create a humming noise. A low volume of noise is perfectly normal and will not interfere with operation of the grill. If humming noise is loud and excessive you may need to purge air from the gas line or reset the regulator excess gas flow device. This purging procedure should be done every time a new liquefied petroleum gas cylinder is connected to your grill.

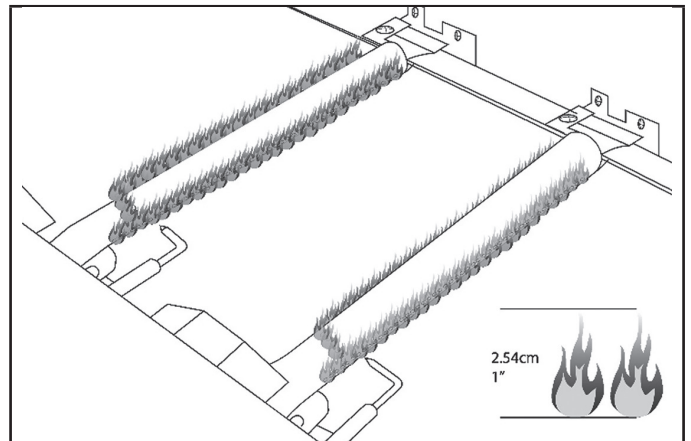
- The size of saucepan suitable for the usage on the side burner is between 18~22 cm (7~8.6 in) in diameter.
- Do not place heavy item on the side table. Maximum weight is 5 kg (11 lb).

LOCATION REQUIREMENTS

Select a location that provides minimum exposure to wind and traffic paths. The location should be away from strong draft areas. Do not obstruct the flow of combustion and ventilation air.

Clearance to combustible construction for the grill:

- A minimum of 1 meter must be maintained between the front of the grill hood, sides, and back of the grill and any combustible construction.



CHECK AND ADJUST BURNERS

The burners are tested and factory-set for most efficient operation. However, variations in gas supply and other conditions may make minor adjustments to air shutter or low flame setting necessary.

- Visually check the burner flames. They should be blue. Slight yellow tipping is normal for propane gas. The flames should be approximately 2.5 cm (1 in) high.
- Checking and adjusting the grill burner flames requires removing the grates and flame tamers.
- It is recommended that a qualified person make burner adjustments.

Check that burners are not blocked by dirt, debris, insect nests, etc., and clean as necessary. If they are clean, adjust air shutters as needed.

EUROPEAN GAS PRESSURES AND SPECIFICATIONS

Manufacturer	Global Leisure Group Deutschland GmbH Karl-Schurz Strasse 25, 33100 Paderborn, Deutschland				
Model	720-0925PS				
Appliance category	I3+(28-30/37)	I3B/P(30)	I3B/P(37)	I3B/P(50)	
Type of gas	Butane	Propane	Butane, Propane or their mixture		
Gas pressure (mbar)	28-30	37	28-30	37	50
Main Burner Injector size (Ø mm)	0.85/1.02		0.85/1.02	0.81/0.94	0.76/0.84
Nominal heat input (Hs) (kW)	Total: 13.19				
Gas consumption (g/h) (total)	Butane - Total: 1012				
	Propane - Total: 933				

NOTE:

- Use 30 mbar regulator and its corresponding injector size for butane/propane under the category I3B/P(30).
- Use 30 mbar regulator and its corresponding injector size for butane under the category I3+(28-30/37).
- Use 37 mbar regulator and its corresponding injector size for propane under the category I3+(28-30/37).
- Use 50 mbar regulator and its corresponding injector size for butane/propane under the category I3B/P(50).

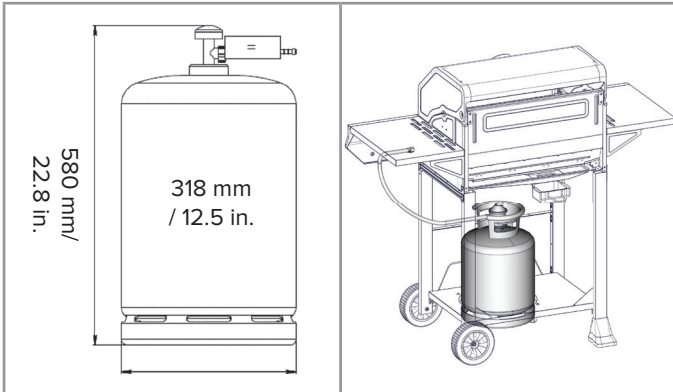
Marking on the injector indicate the injector size. For example, "0.90" means the injector size is 0.90 mm.

Country	Gas Type	Pressure
BE, CH, CY, CZ, ES, FR, GB, GR, IE, IT, LT, LU, LV, PT, SI, SK, TR	I3+	28-30/37 mbar
BE, BG, CY, CZ, DK, EE, FI, FR, GB, HR, HU, IS, IT, LT, LU, LV, MT, NL, NO, RO, SE, SI, SK	I3B/P	28-30 mbar
PL	I3B/P	37 mbar
AT, CH, DE, SK, LU	I3B/P	50 mbar
*Country codes are in accordance with EN ISO 3166-1:2006.		

GAS CONNECTION REQUIREMENTS

LIQUEFIED PETROLEUM GAS FUEL CYLINDER

Only use gas cylinders with a minimum capacity of 5 kg (11 lb) and a maximum capacity of 15 kg (33 lb). A gas cylinder of approximately 318 mm (12.5 in) in diameter by 580 mm (22.8 in) in height shall be the maximum size cylinder which can be used. A gas pressure regulator/hose assembly is supplied.



LIQUEFIED PETROLEUM GAS CYLINDER REQUIREMENT

A dented or rusty gas cylinder may be hazardous and should be checked by your liquefied petroleum gas cylinder supplier. Never use a gas cylinder with a damaged valve. Place dust cap on cylinder valve outlet whenever the gas cylinder is not in use. Only install the type of dust cap on the gas cylinder valve outlet that is provided with the cylinder valve. Other types of cap or plugs may result in leakage of gas.

LIQUEFIED PETROLEUM GAS HOOK-UP

Ensure that the black plastic grommets on the gas cylinder valve are in place and that the hose does not come into contact with the grease tray or the grill head.

CONNECTION

⚠ IMPORTANT

- A gas fuel cylinder must be purchased separately.
- The gas pressure regulator/hose assembly supplied with the grill must be used. Replacement gas pressure regulator/hose assembly specific to your model is available from your outdoor grill dealer.

TO CONNECT THE GAS FUEL CYLINDER:

- Check gas fuel cylinder is in the "OFF" position. If not, turn the valve clockwise until it stops.
- Check that the burner control knobs are in the "OFF" position.
- Remove any debris and inspect the valve connections, port, and gas pressure regulator/hose assembly for damage. Never attempt to use damaged or obstructed equipment. See your local propane gas dealer for repair.

NOTE: Always keep the gas cylinder at 90° (upright) orientation to provide vapor withdrawal.

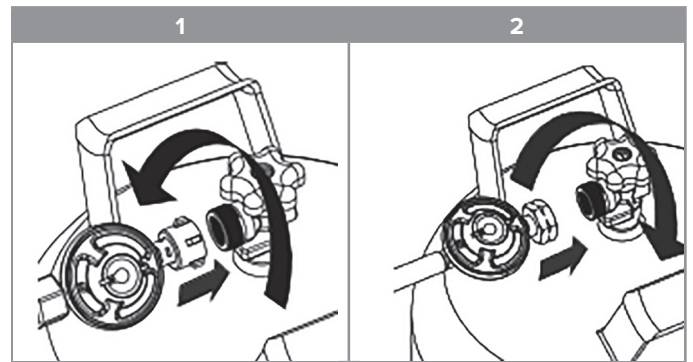
Some regulators push ON to connect and pull OFF to disconnect, whereas others have a nut that either have a left-hand or a right-hand thread that connects to the cylinder valve. IDENTIFY YOUR REGULATOR TYPE AND FOLLOW THE CONNECTION INSTRUCTIONS SPECIFIC TO THAT REGULATOR.

1. Connect by Turning Clockwise

Screw regulator onto gas cylinder by turning the connecting nut clockwise.

2. Connect by Turning Anti-Clockwise

Screw regulator onto gas cylinder by turning the connecting nut anti-clockwise.



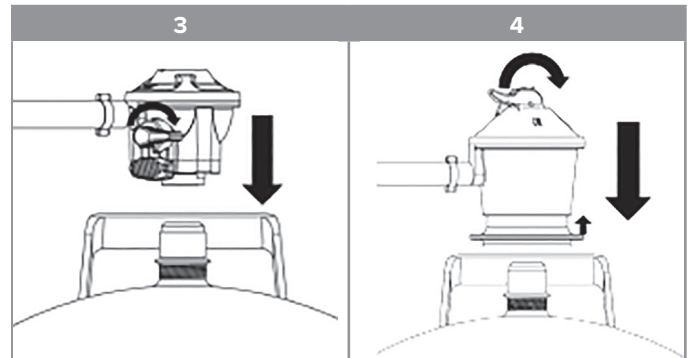
3. Connect by Turning Lever/Snapping into Position

Turn regulator lever clockwise to the OFF position. Push regulator down on cylinder valve until you hear the audible 'click'. Check that the regulator is fully locked and in place by gently pulling upwards. If regulator disengages, repeat procedure.

4. Connect by Sliding Collar

Make sure regulator lever is in the off position. Slide the retaining ring of the regulator up. Push the regulator down onto the cylinder valve and maintain downward pressure on the regulator. Slide retaining ring down to lock regulator onto cylinder valve. Check that the regulator is secured. If the regulator disengages, repeat procedure.

Note: If your grill is not equipped with a hose and regulator assembly, please refer to the "European Gas Pressures and Specifications" table to clarify the regulator gas pressure and orifice size required.



GAS CONNECTION REQUIREMENTS

Make sure that the gas cylinder valve connection device properly mates with the connection device attached to the inlet of the pressure regulator.

- Turn the gas supply on at source by following the instructions specific to that regulator.
 - Screw-on regulator:** Turn the valve handwheel, located at the gas cylinder, anti-clockwise.
 - Clip-on regulator:** Move the regulator lever to the ON position.
- Before lighting the grill, test all connections by brushing on an approved noncorrosive leak-detection solution. Bubbles will show a leak.
- If a leak is found, turn the cylinder valve off and do not use the grill. Contact a qualified gas technician to make repairs.
- Go to "Check and Adjust the Burners" section.

TO DISCONNECT THE GAS FUEL CYLINDER

- Check that the burner control knobs are in the "OFF" position and the grill is cool.
- Check that the gas fuel cylinder is in the "OFF" position. If not, turn the valve clockwise until it stops.
- Identify your regulator type. Turn the gas supply off at source and disconnect regulator from gas cylinder by following the

instructions specific to that regulator.

- Disconnect by Turning Anti-Clockwise:** Turn the valve handwheel, located at the cylinder, clockwise. Unscrew regulator from gas cylinder by turning the connecting nut anti-clockwise.
 - Disconnect by Turning Clockwise:** Turn the valve handwheel, located at the gas cylinder, clockwise. Unscrew regulator from gas cylinder by turning the connecting nut clockwise.
 - Disconnect by Turning Lever/Snapping into Position:** Move the regulator lever to the OFF position. Push in on regulator lever until it releases from gas cylinder.
 - Disconnect by Sliding Collar:** Move the regulator lever to the OFF position. Pull up on the retaining ring to disengage regulator from gas cylinder valve. Lift regulator away from the cylinder valve.
- Place dust cap on gas cylinder valve outlet whenever the cylinder is not in use. Only install the type of dust cap on the valve outlet that is provided with the cylinder valve. Other types of caps or plugs may result in leakage of liquified petroleum gas.
 - Allow the grill body to cool at least 30 minutes before attempting to move or transport.

LEAK TESTING

GENERAL

Although all gas connections on the grill are leak tested at the factory prior to shipment, a complete gas leak test check must be performed at the installation site due to possible mishandling in shipment, or excessive pressure unknowingly being applied to the unit. Periodically check the whole system for leaks following the procedures listed below. If the smell of gas is detected at anytime you should immediately check the entire system for leaks.

BEFORE TESTING

Make sure that all packing material is removed from the grill including tie-down straps.

DO NOT SMOKE WHILE LEAK TESTING. NEVER PERFORM LEAK TEST WITH AN OPEN FLAME.

Make a soap solution of one part liquid detergent and one part water. You will need a spray bottle, brush, or rag to apply the solution to the fittings. For the initial leak test, make sure the gas cylinder is 80% full.

TO TEST

- Make sure the control valves are in the "O" position and turn on the gas supply.
- Check all connections from the L.P. gas regulator and supply valve up to and including the connection to the manifold pipe assembly (the pipe that goes to the burners). Soapy bubbles will appear where a leak is present.

- If a leak is present, immediately turn off the gas supply and tighten the leaky fittings.
- Turn the gas back on and recheck.
- Should the gas continue to leak from any of the fittings, turn off the gas supply and contact customer service.

⚠ ALWAYS CHECK FOR LEAKS AFTER EVERY GAS CYLINDER CHANGE

Check all gas supply fittings for leaks before each use. It is handy to keep a spray bottle of soapy water near the shut-off valve of the gas supply line. Spray all the fittings. Bubbles indicate leaks.

Only those parts recommended by the manufacturer should be used on the grill. Substitution will void the warranty. Do not use the grill until all connections have been checked and do not leak.

GAS FLOW CHECK

Each grill burner is tested and adjusted at the factory prior to shipment; however, variations in the local gas supply may make it necessary to adjust the burners. The flames of the burners should be visually checked. Flames should be blue and stable with no yellow tips, excessive noise or lifting. If any of these conditions exist, check to see if the air shutter or burner ports are blocked by dirt, debris, spider webs, etc. If you have any questions regarding flame stability, please call customer service.

INSTALLER FINAL CHECK LIST

<input type="checkbox"/>	Minimum clearance from sides and back of unit to combustible construction, 1 meter from sides and 1 meter from back.
<input type="checkbox"/>	All internal packaging removed.
<input type="checkbox"/>	Knobs turn freely.
<input type="checkbox"/>	Burners are tight and sitting properly on orifices.
<input type="checkbox"/>	Pressure regulator connected and set. Gas connections to grill using hose & regulator assembly provided.
<input type="checkbox"/>	Unit tested and free of leaks.
<input type="checkbox"/>	User informed of gas supply shut off valve location

USER, PLEASE RETAIN THIS MANUAL FOR FUTURE REFERENCE.

PROPANE CYLINDER PRECAUTIONS

1. Do not store a spare LP-gas cylinder under or near this appliance.
2. NEVER fill the cylinder beyond 80 percent full.

Please note: If the information in “1” and “2” is not followed exactly, a fire or explosion causing death or serious injury may occur.

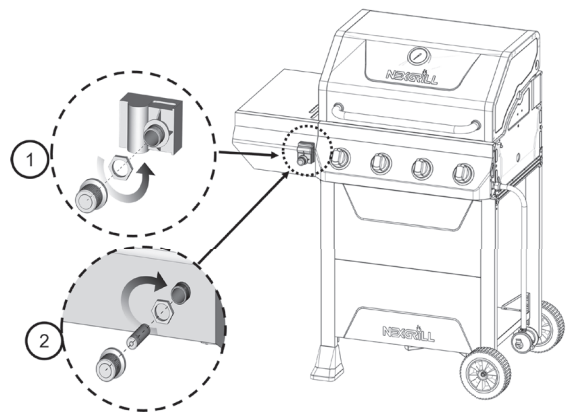
IMPORTANT BATTERY INFORMATION

To reduce the probability of exposing the battery to conditions of misuse and/or abuse, please follow battery installation instructions below.

- Non-rechargeable batteries are not to be recharged.
- Do not mix different types of batteries such as alkaline, carbon-zinc, or rechargeable batteries.
- Do not mix old and new batteries.
- Exhausted batteries are to be removed from the product.

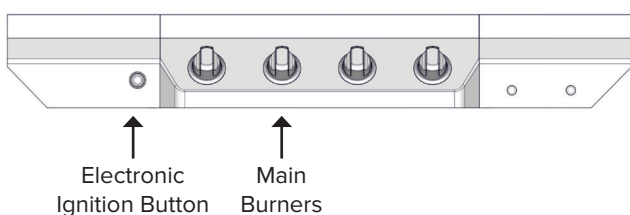
1 DC 1.5 V Type AA battery not included.

Battery is to be inserted with the correct polarity as shown to the right.



CONTROL PANEL

IMPORTANT: REMOVE ALL PACKAGING, INCLUDING STRAPS, BEFORE USING THE GRILL.



OPERATING INSTRUCTIONS

⚠ WARNINGS AND CAUTIONS

- **DO NOT** use aluminum foil to cover the removable grease tray or the firebox.
- Before each grilling session, inspect the flame tamers, grease tray, and firebox for buildup. Clear out any excess grease to reduce the risk of a flare-up.
- Take care when handling the grease tray and discarding hot grease, as burns or spills may occur.
- Always wear heat-safe barbecue gloves or mitts when using the grill.
- Keep the area around the propane tank's ventilation openings clean and free of blockages.
- Ensure propane tanks are properly installed according to gas hook-up instructions section of this manual.
- Ensure the hose is properly secured using the Hose Retention Clip. Failing to do so may damage the hose and lead to fire or explosion, which could result in serious injury or death, as well as property damage.
- Keep all electrical cords and the fuel hose safely away from hot surfaces to prevent melting or ignition.
- **DANGER** – Regularly inspect grill brushes for worn bristles or damage. If you find any loose bristles on the grates or brush, replace the brush immediately. We recommend starting each grilling season with a new grill brush.

GENERAL USE OF THE GRILL

Each main burner is rated at 4 kW. The main grill burners encompass the entire cooking area and are side ported to minimize blockage from falling grease and debris. The knobs are located on the lower center portion of the control panel. Each knob is labeled on the control panel.

This grill is designed to grill efficiently without the use of lava rocks or briquettes of any kind. Heat is radiated by the stainless steel flame tamers positioned above each burner.

Minimum Ambient Operating Temperature: 0 °F, (-17.8 °C)

INSPECT THE GAS CYLINDER SUPPLY HOSE

Inspect the gas pressure regulator/hose assembly before each use.

1. Open left-hand cabinet door.
2. Inspect the gas pressure regulator/hose assembly for cuts, abrasions, or excessive wear.
3. If necessary, replace the gas pressure regulator/hose assembly before using the grill. Contact the manufacturer and use only replacement hoses specified for use with the grill.

USING THE GRILL

Grilling requires high heat for searing and proper browning. Most foods are cooked at the high heat setting for the entire cooking time. However, when grilling large pieces of meat or poultry, it may be necessary to turn the heat to the lower setting after the initial browning. This cooks the food through without burning the outside. Foods cooked for a long time or foods basted with a sugary marinade may need the lower heat setting near the end of the cooking time.

⚠ DO NOT LEAVE THE GRILL UNATTENDED WHILE COOKING.

NOTE: The hot grill sears the food, sealing in the juices. The more thoroughly the grill is preheated, the faster the meat browns and the darker the grill marks.

LIGHTING INSTRUCTIONS

⚠ WARNING: IMPORTANT!

BEFORE LIGHTING

Inspect the gas supply hose prior to turning the gas "ON". If there is evidence of cuts, wear, or abrasion, it must be replaced prior to use. Do not use the grill if the odor of gas is present. Only the pressure regulator and hose assembly supplied with the unit should be used. Never substitute regulators and hose assembly for those supplied with the grill. If a replacement is necessary, contact the manufacturer for proper replacement. The replacement must be that specified in the manual.

⚠ WARNING

Always keep your face and body as far away from the burner as possible when lighting.

Keep a spray bottle of soapy water near the gas supply valve and check the connections before each use.

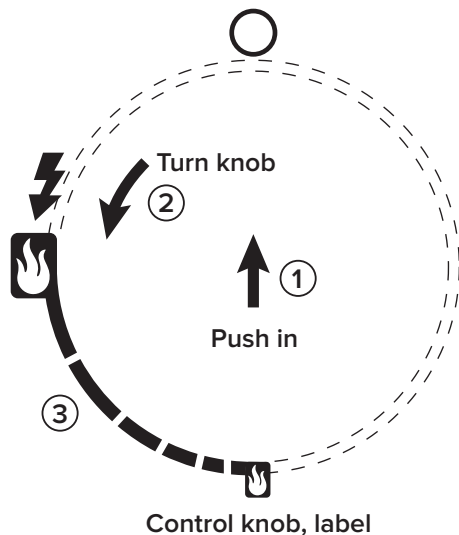
Do not attempt to light the grill if odor of gas is present. Call for service call customer service at **0800-051-8916 (GB)**, **0800-908-612 (FR)**, **800-7601 (IS)**, or **900-974-968 (ES)**. Monday -Thursday 7:30 a.m. - 5:00 p.m., Friday 7:30 a.m. - 2:00 p.m., GMT+2. Languages Spoken: English, French and Spanish. You can also reach us by email at: **ServiceEU@grillservices.com**.

Each burner is adjusted prior to shipment; however, variations in the local gas supply may make minor adjustments necessary.

TO LIGHT THE MAIN BURNERS

Make sure all knobs are off then turn on the gas supply from the LP (Liquid Propane) tank. Always keep your face and body as far from the grill as possible when lighting.

To light your main burner, push and turn main burner control knob to "⚡", at the same time, press and hold electronic ignition button to light the burner. Once the burner is lit, release the electronic ignition button and knob. If the burner does not light wait 5 minutes for any excess gas to dissipate and then retry.



⚠ CAUTIONS

Place dust cap on cylinder valve outlet when the cylinder is not in use. Only install the type of dust cap on the cylinder valve outlet that is provided with the cylinder valve. Other types of caps or plugs may result in leakage of propane.

The gas must be turned off at the supply cylinder when the unit is not in use.

If the appliance is stored indoors the cylinder must be disconnected and removed from the appliance. Cylinders must be stored outdoors in a well-ventilated area out of the reach of children.

CARE AND MAINTENANCE

STAINLESS STEEL

There are many different stainless steel cleaners available. Always use the mildest cleaning procedure first, scrubbing in the direction of the grain. Do not use steel wool as it will scratch the surface. To touch up noticeable scratches in the stainless steel, sand very lightly with dry 100 grit emery paper in the direction of the grain. Specks of grease can gather on the surfaces of the stainless steel and bake on to the surface and give the appearance of rust. For removal use a mild abrasive pad in conjunction with a stainless steel cleaner.

GRILL GRATE

The easiest way to clean the grill is immediately after cooking is completed and after turning off the flame. Wear a barbecue mitt to protect your hand from the heat and steam. Using a grill cleaning tool that is heat resistant and made for cleaning hot surfaces. Apply water or other cleaning fluids to the grill grates or the grill cleaning tool directly to assist with the cleaning process. If the grill is allowed to cool before cleaning, the cleaning process will be more difficult.

ENSURE THAT THE GAS SUPPLY AND THE KNOBS ARE IN THE "O" POSITION. MAKE SURE THE RANGE TOP BURNER IS COOL BEFORE REMOVAL.

GRILL BURNERS

Extreme care should be taken when moving a burner as it must be correctly centered on the orifice before any attempt is made to relight the grill. Frequency of cleaning will depend on how often you use the grill.

MAIN BURNER CLEANING

Ensure the gas supply is off and the knobs are in the "O" position. Make sure the grill is cool. Clean the exterior of the burner with a wire brush. Clear stubborn scale with a metal scraper. Clear any clogged ports with a straightened paper clip. Never use a wooden toothpick as it may break off and clog the port. Please note if insects or other obstructions are blocking the flow of gas through the burner, and if so, you will need to call our customer service line 1-800-913-8999.

GREASE TRAY CLEANING

The grease tray should be emptied and wiped down periodically and wash with a mild detergent and warm water solution. A small amount of sand may be placed in bottom of grease tray to absorb the grease. Check the grease tray frequently, do not allow excess grease to accumulate and overflow out of the grease tray.

⚠ CAUTION

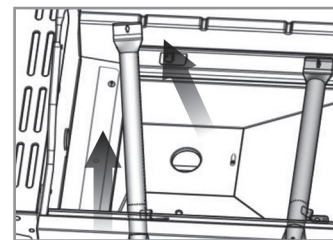
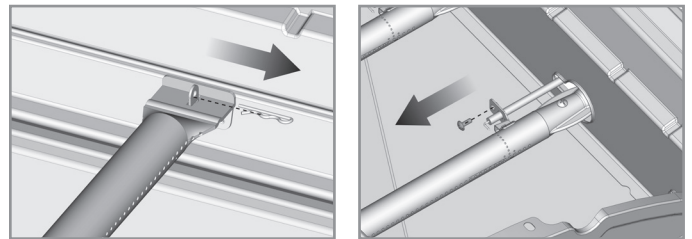
- Keep outdoor cooking gas appliance area clear and free from combustible materials, gasoline and other flammable vapors and liquids.
- Do not obstruct the flow of combustible and ventilation air.
- Keep the ventilation openings of the cylinder enclosure free and clear from debris.

⚠ WARNING

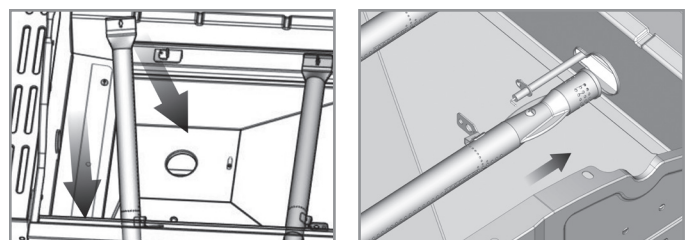
If you wish to replace main burner, we strongly recommend that you hire a professionally trained technician to replace it. Please understand that we will not be responsible for any liability, personal injury, or property damage resulting from an improperly assembled burner.

HOW TO REPLACE MAIN BURNER

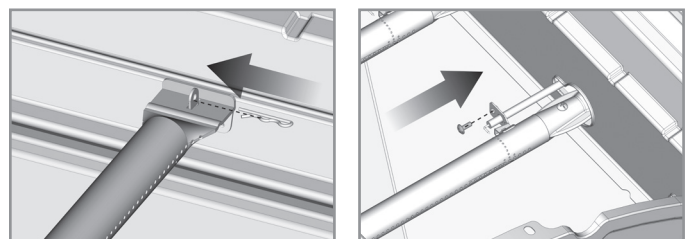
Step 1. Remove the main burner "R" pin on the back wall of fire box by using needle nose pliers. Use a flathead screwdriver to remove burner pin cover, then remove the burner from the fire box, as shown below.



Step 2. Insert the burner onto the orifice and secure the burner pin cover on the burner, as shown below, make sure burner hole aim at orifice.



Step 3. Secure the main burner on the back wall of fire box with "R" Pin. And install the burner pin by using screwdriver.



TROUBLESHOOTING

SPIDER AND INSECT WARNING

Checking and cleaning burner/ venturi tubes for insects and insect nests. A clogged tube can lead to a fire beneath the grill. Although an obstructed burner tube is not the only cause of “FLASH-BACK”, it is the most common cause.

To reduce the chance of “FLASH-BACK”, you must clean the burner tubes before assembling your grill, and at least once a month in late summer or early fall when spiders are most active. Also perform this burner tube cleaning procedure if your grill has not been used for an extended period.

WHEN TO LOOK FOR SPIDERS

You should inspect the burners at least once a year or immediately after any of the following conditions occur:

- The smell of gas in conjunction with the burner flames appearing yellow.
- The grill does not reach temperature.
- The grill heats unevenly.
- The burners make popping noises.

BEFORE CALLING FOR SERVICE

If the grill does not function properly, refer to the Trouble Shooting section below before contacting your dealer for service. You may save the cost of a service call.

PREHEATING: The grill lid should be in a closed position during the preheat time period. It is necessary to preheat the grill before cooking certain foods, depending on the type of food and the cooking temperature. Food that requires a high cooking temperature needs a pre-heat period of five minutes; food that requires a lower cooking temperature needs only a period of two to three minutes.

COOKING TEMPERATURES

High setting: Use this setting for fast warm-up, for searing steaks and chops, and grilling.

Low setting: Use this setting for all roasting, baking, and when cooking very lean cuts such as fish.

These temperatures vary with the outside temperature and the amount of wind.

Cooking with in-direct Heat: You can cook poultry and large cuts of meat slowly to perfection on one side of the grill by indirect heat from the burner on the other side. Heat from the lit burner circulates gently throughout the grill, cooking the meat or poultry without any direct flame touching it. This method greatly reduces flare-ups when cooking extra fatty cuts, because there is no direct flame to light the fats and juices that drip down during cooking.

⚠ CAUTION

If burners go out during operation, close gas supply at source, and turn all gas valves off. Open lid and wait five minutes before attempting to relight (this allows accumulated gas fumes to clear).

⚠ CAUTION

Should a grease fire occur, close gas supply at source, turn off all burners and leave lid closed until fire is out.

⚠ CAUTION

DO NOT attempt to disconnect any gas fitting while your grill is in operation. As with all appliances, proper care and maintenance will keep them in top operating condition and prolong their life. Your gas grill is no exception.

⚠ CAUTION

DO NOT use the searing side burner with the lid closed. If your grill has a searing side burner lid, it can become extremely hot and pose a burn hazard when used closed. Always keep the lid open while the burner is in use.

TROUBLESHOOTING

HOW TO RESET THE REGULATOR SAFETY DEVICE

The regulator includes a safety feature that limits gas flow if a leak is detected. Sometimes, this feature can activate even when there's no leak.

To reset it:

1. Turn off all burner knobs and close the LP tank valve.
2. Disconnect the regulator from the LP tank.
3. Open the grill lid.
4. Turn all burner knobs to high (the 9 o'clock position) and wait for 1 minute.
5. After one minute, turn all burners off.
6. Reconnect the regulator to the LP tank.
7. Slowly open the LP tank valve all the way.
8. Light the burners and check if the grill heats up normally.

PROBLEM	SOLUTION
When attempting to light my grill, it will not light immediately.	<ul style="list-style-type: none"> • When lighting the grill, make sure you see a spark at the base of the burners. If you don't see a spark, check that the battery is installed and positioned correctly in the ignition system. • Ensure that the wire is connected to the electrode assembly. • Clean wire(s) and / or electrode with rubbing alcohol and a clean swab. Wipe with a clean cloth. • Check to see if the other burners operate. If so, check the gas orifice on the malfunctioning burner for an obstruction.
Regulator makes noise.	<ul style="list-style-type: none"> • Vent hose on the regulator may be plugged or regulator may be faulty. Ensure the vent hole on the regulator is not obstructed. Clear the hole, close the gas control valves. Wait ten minutes and re-start. • Check your flames for proper performance. Flames should be blue with yellow tips. If flames do not appear normal, refer to Regulator Reset Instructions below.
Full size cover does not fit the grill.	<ul style="list-style-type: none"> • Measure your grill before buying a cover. Be sure to include the full width (side shelves and handles), height, and depth. • If the cover feels tight at first, place it in a warm room or sunlight to soften it. Then, fit it over the grill starting from one side and pulling it across.
Grill only heats to 93-149°C / 200-300°F.	<ul style="list-style-type: none"> • Check to see if the fuel hose is bent or kinked. • Make sure the grill area is clear of dust. • Make sure the burner and orifices are clean. • Check for spiders and insects. • The regulator includes a safety feature that limits gas flow if a leak is detected. Sometimes, this feature can activate even when there's no leak. To get your grill working again, see "Reset Your Regulator Safety Device" above for step-by-step instructions.
Grill takes a long time to preheat.	<ul style="list-style-type: none"> • Normal preheat 260-316°C / 500-600°F, takes about 10-15 min. Cold weather and wind may effect your preheat time.
Burner flames are not light blue.	<ul style="list-style-type: none"> • Too much or not enough air for the flame. • Elevation is the principal cause, however cold weather can affect the mixture. Burner adjustment may be required. • Grill is in a windy location. • Reset your regulator safety device. See instructions below.

ORDERING PARTS

HOW TO ORDER REPLACEMENT PARTS

To ensure you get the correct replacement part(s) for your gas grill, please refer to the parts list. Be sure to have all the required information ready when ordering. Please note: customers are responsible for all shipping costs related to replacement part deliveries.

- Gas grill model number (see data sticker on grill).
- Part number of replacement part needed.
- Description of replacement part needed.
- Quantity of parts needed.

Questions?

+49 5251 875 6174 | ServiceDE@nexgrill.de (DE)

& +45 60 20 60 71 | ServiceDK@nexgrill.com (DK)

⚠ IMPORTANT

Always use factory-authorized parts only. Using non-authorized parts can be unsafe and will void your warranty. Keep this assembly and operating manual for easy reference and to help when ordering replacement parts.



LIMITED WARRANTY

The manufacturer warrants to the original consumer-purchaser only that this product (Model #720-0925PS) shall be free from defects in workmanship and materials after correct assembly and under normal and reasonable home use for the periods indicated below beginning on the date of purchase. The manufacturer reserves the right to require photographic evidence of damage, or that defective parts be returned, postage and/or freight pre-paid by the consumer, for review and examination. Megamaster's obligation is limited to repair, replacement, or depreciated value, at the option of Megamaster.

- **TUBE BURNERS:** 5 year LIMITED warranty against perforation.
- **COOKING GRIDS and FLAME TAMERS:** 1 year LIMITED warranty; does not cover dropping, chipping, scratching, or surface damage.
- **STAINLESS STEEL PARTS:** 1 year LIMITED warranty against perforation; does not cover cosmetic issues like surface corrosion, scratches and rust.
- **ALL OTHER PARTS:** 1 year LIMITED warranty (Includes, but not limited to, valves, frame, housing, cart, control panel, igniter, regulator, hoses) *Does not cover chipping, scratching, cracking surface corrosion, scratches or rust.

Upon consumer supplying proof of purchase as provided herein, Manufacturer will repair or replace the parts which are proven defective during the applicable warranty period. Parts required to complete such repair or replacement shall be free of charge to you except for shipping costs, as long as the purchaser is within the warranty period from the original date of purchase. The original consumer-purchaser will be responsible for all shipping charges of parts replaced under the terms of this limited warranty. This limited warranty is applicable in the **United States and Canada** only, is only available to the original owner of the product and is not transferable. Manufacturer requires reasonable proof of your date of purchase. Therefore, you should retain your sales receipt and/or invoice. If the unit was received as a gift, please ask the gift-giver to send in the receipt on your behalf, to the below address. Defective or missing parts subject to this limited warranty will not be replaced without registration or proof of purchase. This limited warranty applies to the functionality of the product **ONLY** and does not cover cosmetic issues such as scratches, dents, corruptions or discoloring by heat, abrasive and chemical cleaners or any tools used in the assembly or installation of the appliance, surface rust, or the discoloration of stainless steel surfaces. Surface rust, corrosion, or powder paint chipping on metal parts that does not affect the structural integrity of the product is not considered a defect in workmanship or material and is not covered by this warranty. This limited warranty will not reimburse you for the cost of any inconvenience, food, personal injury or property damage. If an original replacement part is not available, a comparable replacement part will be sent. You will be responsible for all shipping charges of parts replaced under the terms of this limited warranty.

MANUFACTURER WILL NOT PAY FOR:

- Service calls to your home.
- Repairs when your product is used for other than normal, single-family household or residential use.
- Damage resulting from accident, alteration, misuse, lack of maintenance/cleaning, abuse, fire, flood, acts of God, improper installation, and installation not in accordance with electrical or plumbing codes or misuse of product.
- Any food loss due to product failures.
- Replacement parts or repair labor costs for units operated outside the **United States or Canada**.
- Pickup and delivery of your product.
- Postage fees or photo processing fees for photos sent in as documentation.
- Repairs to parts or systems resulting from unauthorized modifications made to the product.
- The removal and/or reinstallation of your product.
- Shipping cost, standard or expedited, for warranty/non warranty and replacement parts.

DISCLAIMER OF IMPLIED WARRANTIES; LIMITATION OF REMEDIES

Repair or replacement of defective parts is your exclusive remedy under the terms of this limited warranty. Manufacturer will not be responsible for any consequential or incidental damages arising from the breach of either this limited warranty or any applicable implied warranty, or for failure or damage resulting from acts of God, improper care and maintenance, grease fire, accident, alteration, replacement of parts by anyone other than manufacturer, misuse, transportation, commercial use, abuse, hostile environments (inclement weather, acts of nature, animal tampering), improper installation or installation not in accordance with local codes or printed manufacturer instructions.

THIS LIMITED WARRANTY IS THE SOLE EXPRESS WARRANTY GIVEN BY THE MANUFACTURER. NO PRODUCT PERFORMANCE SPECIFICATION OR DESCRIPTION WHEREVER APPEARING IS WARRANTED BY MANUFACTURER EXCEPT TO THE EXTENT SET FORTH IN THIS LIMITED WARRANTY. ANY IMPLIED WARRANTY PROTECTION ARISING UNDER THE LAWS OF ANY STATE, INCLUDING IMPLIED WARRANTY OF MERCHANTABILITY OR FITNESS FOR A PARTICULAR PURPOSE OR USE, IS HEREBY LIMITED IN DURATION TO THE DURATION OF THIS LIMITED WARRANTY.

Neither dealers nor the retail establishment selling this product has any authority to make any additional warranties or to promise remedies in addition to or inconsistent with those stated above. Manufacturer's maximum liability, in any event, shall not exceed the documented purchase price of the product paid by the original consumer. This warranty only applies to units purchased from an authorized retailer and or re-seller. NOTE: Some states do not allow an exclusion or limitation of incidental or consequential damages, so some of the above limitations or exclusions may not apply to you; this limited warranty gives you specific legal rights as set for herein. You may also have other rights which vary from state to state.

If you wish to obtain performance of any obligation under this limited warranty, you should write to:

**Martinsen Nordic A/S
Eksportvej 7 – 8870 Langå
Denmark – CVR 27771025**

Questions?

+49 5251 875 6174 | ServiceDE@nexgrill.de (DE)
& +45 60 20 60 71 | ServiceDK@nexgrill.com (DK)

SIKKERHEDSINSTRUKTIONER

⚠ FARE

Hvis der lugter af gas:

- Sluk for gas til apparatet.
- Sluk enhver åben ild.
- Åbn låget.
- Hvis lugten fortsætter, skal der holdes afstand til apparatet. Kontakt øjeblikkeligt din gasleverandør eller brandvæsenet.

⚠ ADVARSEL

- Undgå at opbevare eller brug benzin eller øvrige letantændelige væsker i nærheden af dette eller noget andet apparat.
- En flaske med flydende gas, der ikke er tilsluttet, må ikke opbevares i nærheden af dette eller noget andet apparat.

⚠ ADVARSEL

For at reducere risikoen for brand og elektrisk stød, personskade eller skade ved brug af gasapparatet, følg de grundlæggende forholdsregler, herunder følgende:

- Brug kun udendørs.
- Læs vejledningen før apparatet bruges.
- ADVARSEL: Tilgængelige dele kan blive meget varme. Hold mindre børn på afstand.
- Flyt ikke apparatet under brug.
- Hvis apparatet opbevares indendørs, skal gasflasken frakobles og fjernes fra apparatet.
- Tjek og rengør brænder-/venturirør for insekter og insekthuler.

FORSYNINGSSYSTEM TIL FLYDENDE PETROLEUMGASFLASKE

- Gasflasker skal opbevares udendørs i et godt ventileret område uden for børns rækkevidde.
- Gasflasker må ikke opbevares i en bygning, garage eller noget andet lukket område.
- Forsyningssystemet til gasflasken skal være indrettet til dampsugning.
- Gasflasken skal have en krave for at beskytte flaskeventilen.
- Tilslut aldrig en ureguleret gasflaske til din gasgrill.
- Brug kun den trykregulator- og slange-enhed, der følger med grillen. Enhver erstatningstrykregulator- og slange-enhed skal overholde EN 16129:2013 og national lovgivning.
- Den fleksible slange, der bruges, må ikke overstige 1,50 meter og skal overholde EN 16436-1:2014+A3:2020.
- Grillen er konfigureret til flaskegas. Brug ikke en naturgasforsyning.
- Efterse gasforsyningsslangen før hver brug af det udendørs gasapparat. Hvis slangen viser overdreven slitage eller er skåret, SKAL den udskiftes, før apparatet anvendes.
- Hvis der er lækage, skal gas-cylinder-ventilen lukkes, brændstofslangen afbrydes fra grillen, og grillen må ikke anvendes.
- Kontakt din forhandler, og brug kun specifikke udskiftningsslanger for det udendørs gasapparat.
- En udskiftningsregulator og -slange, der passer til din model, er tilgængelig hos forhandleren.
- Kontroller altid for utætheder, hver gang gasforsyningsflasken til- eller frakobles. Se afsnittet "Krav til gasforbindelse".
- Det anbefales at udskifte den fleksible slange, når forholdene er til det.
- Sørg for at gasslangen ikke bliver vredet.

SIKKERHEDSPRAKSIS FOR AT UNDGÅ PERSONSKADE

- Apparatet skal holdes væk fra brændbare materialer under brug.
- Hold området omkring det udendørs gasapparat fri for brændbare materialer som benzin og andre brændbare væsker.
- Bloker ikke strømmen af forbrændings- og ventilationsluft. Hold ventilationsåbningerne i opbevaringsrummet frie for snavs.
- Det udendørs gasapparat må ikke placeres under overhængende ubeskyttet brændbart materiale.
- Dette udendørs gasapparat må kun bruges udendørs og må ikke bruges i en bygning, garage eller andet lukket rum.

SIKKERHEDSINSTRUKTIONER

Hvis følgende anvisninger ikke følges nøjagtigt, kan der opstå en brand, der medfører død eller alvorlig personskade:

- Opbevar ikke en ekstra gasflaske under eller i nærheden af dette udendørs gasapparat.
- Fyld aldrig gasflasken mere end 80 procent.
- Når gasflasken skiftes, skal du sørge for at være væk fra alle antændelseskilder.
- **RENGØR GRILLEN FØR HVER BRUG FOR AT FORHINDRE FEDTOPBYGNING OG REDUCERE RISIKOEN FOR FEDTBAND.**
- Dette apparat vil være varmt under og efter brug. Brug isolerede ovenhandsker eller grydelapper til beskyttelse mod varme overflader eller sprøjt fra madlavningsvæsker.
- Dele, der er forseglet af producenten, må ikke modificeres af brugeren.
- Modificer ikke apparatet. Enhver modifikation af apparatet kan være farlig.
- Luk gastilførslen på gasbeholderen efter brug.
- Når du ikke bruger det udendørs gasapparat til madlavning, skal gassen slukkes ved tilførselscylindren.
- Installer ikke bærbare eller indbyggede udendørs gasapparater til madlavning på eller i et fritidskøretøj, en bærbar trailer, en båd eller enhver anden form for mobil installation.
- Overhold altid minimumsafstande fra brandfarlige konstruktioner, se afsnittet "Placeringskrav" på side 4.
- Hold alle elektriske forsyningsledninger og brændstofslinger væk fra opvarmede overflader.
- Opbevar apparatet på et tørt, køligt sted, når det ikke er i brug i en periode.
- Store the appliance in a dry, cool place when it is not use in a period time.

⚠ ADVARSEL

Tænd ikke dette apparat, før du har læst afsnittet "TÆNDINGSINSTRUKTIONER" i denne manual.

TESTET I OVERENSSTEMMELSE MED STANDARDERNE 498 OG EN 484 FOR UDENDØRS GASAPPARATER TIL FØDEVAREBRUG. DENNE GRILL ER KUN BEREGNET TIL UDENDØRSBRUG.

BEMÆRK: Normal gennemstrømning af gas igennem regulator- og slangedelen skaber en hvislende lyd. Denne lyd er ved svag lydstyrke helt normal og forstyrrer ikke drift af grillen. Hvis den hvislende lyd er høj og overdreven, skal du muligvis udtømme gas fra gasslangen eller nulstille enheden til overskydende gasgennemstrømning. Rensningsproceduren skal udføres, hver gang du tilslutter en ny gasflaske til din grill.

- Grydestørrelsen passende til brug på sidebrænderen er mellem 18 og 22 cm (7-8,6 tommer) i diameter.
- Undgå at placere tunge genstande på sidebordet. Maksimal vægt er 5 kg (11 lb).

PLACERINGSKRAV

Vælg en placering, der minimerer eksponering for vind og trafikveje. Placeringen skal være væk fra områder med kraftigt træk.

Bloker ikke strømmen af forbrændings- og ventilationsluft.

Afstande til brandbare konstruktioner for grillen:

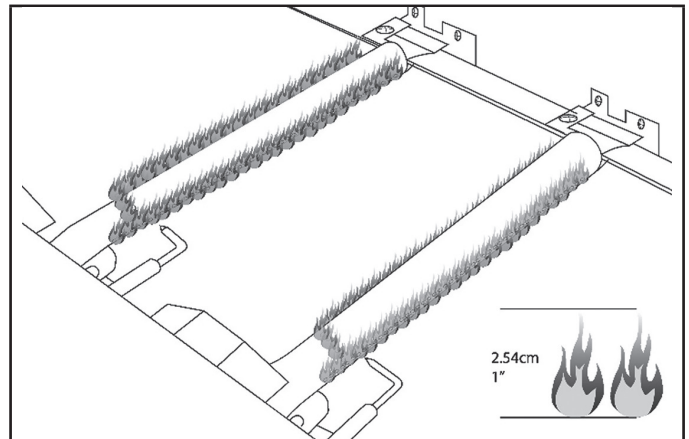
- Der skal være mindst 1 meter mellem forsiden af grillhætten, siderne og bagsiden af grillen og enhver brandfarlig konstruktion.
- En minimumsafstand på 1 meter skal også opretholdes under kogeoverfladen, og grillen må ikke bruges under overliggende brandbare konstruktioner.
- Hold en afstand på 3 meter fra genstande, der kan antænde eller antændelseskilder, såsom pilotlys på vandvarmere, strømførende elektriske apparater osv.

⚠ ADVARSEL: PAS PÅ FLASHBACK

ADVARSEL: Edderkopper og små insekter laver af og til lejlighedsvist spind eller bygger reder i grillens brænderrør under transport og opmagasinering. Disse spind kan forhindre gasgennemstrømningen, hvilket kunne resultere i brand i og omkring brænderens rør. Denne type brand er kendt som "flashback" og kan forårsage alvorlige skader på grillen samt skabe usikre driftsforhold for brugeren.

Selvom et blokeret brænderrør ikke er den eneste årsag til flashback, er det den mest almindelige.

Med henblik på at reducere risikoen for flashback skal brænderrørene rengøres for samling af grillen samt mindst én gang om måneden i sensommeren eller i løbet af det tidlige forår, hvor edderkopper er mest aktive. Gennemfør også proceduren til rengøring af brænderrørene, hvis grillen ikke har været brugt igennem længere tid. Et tilstoppet rør kan føre til brand under grillen.



KONTROLLER OG JUSTER BRÆNDERNE

Brænderne er testet og indstillet på fabrikken for mest effektiv drift. Men variationer i gasforsyningen og andre forhold kan kræve mindre justeringer af luftskodderne eller lavflammeindstillingen.

- Kontrollér visuelt brænderflammerne. De skal være blå. En svag gul spids er normalt for propangas. Flammerne skal være cirka 2,5 cm (1 in) høje.
- Kontrol og justering af grillbrænderens flammer kræver, at riste og flamedæmpere fjernes.
- Det anbefales, at en kvalificeret person foretager justeringer af brænderen.
- Kontroller, at brænderne ikke er blokeret af skidt, snavs, insektereder osv., og rens dem efter behov. Hvis de er rene, skal du justere luftskodderne efter behov.

EUROPÆISKE GASTRYK OG SPECIFIKATIONER

Fabrikant	Global Leisure Group Deutschland GmbH Karl-Schurz Strasse 25, 33100 Paderborn, Deutschland				
Model	720-0925PS				
Enhedskategori	I3+(28-30/37)	I3B/P(30)	I3B/P(37)	I3B/P(50)	
Gastype	Butane	Propane	Butane, Propane or their mixture		
Gasttryk (mbar)	28-30	37	28-30	37	50
Hovedbrænderens injektionsstørrelse (Ø mm)	0.85/1.02		0.85/1.02	0.81/0.94	0.76/0.84
Nominalt varmeinput (Hs) (kW)	Total: 13.19				
Gasforbrug (g/t) (total)	Butane - Total: 1012				
	Propan - Total: 933				

BEMÆRK:

Brug 30 mbar regulator og dens tilsvarende injektorstørrelse til butan/propan under kategorien I3B/P(30).

Brug 30 mbar regulator og dens tilsvarende injektorstørrelse til butan under kategorien I3+(28-30/37).

Brug 37 mbar regulator og dens tilsvarende injektorstørrelse til propan under kategorien I3+(28-30/37).

Brug 50 mbar regulator og dens tilsvarende injektorstørrelse til butan/propan under kategorien I3B/P(50).

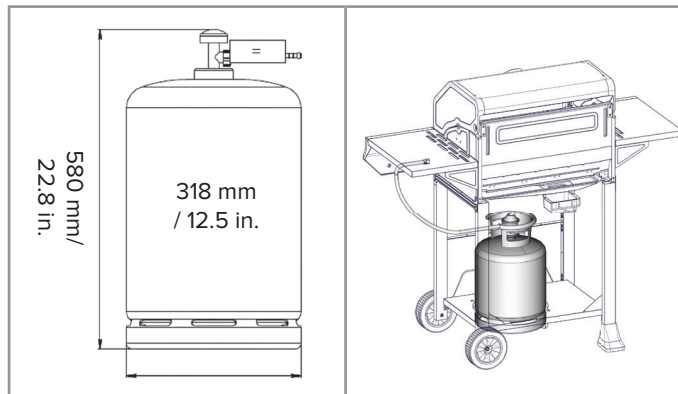
Mærkning på injektoren angiver injektorstørrelsen. For eksempel betyder "0,90", at injektorstørrelsen er 0,90 mm.

Land	Gastype	Tryk
BE, CH, CY, CZ, ES, FR, GB, GR, IE, IT, LT, LU, LV, PT, SI, SK, TR	I3+	28-30/37 mbar
BE, BG, CY, CZ, DK, EE, FI, FR, GB, HR, HU, IS, IT, LT, LU, LV, MT, NL, NO, RO, SE, SI, SK	I3B/P	28-30 mbar
PL	I3B/P	37 mbar
AT, CH, DE, SK, LU	I3B/P	50 mbar
*Landekoder er i overensstemmelse med EN ISO 3166-1:2006.		

KRAV TIL GASTILSLUTNING

FLYDENDE PETROLEUMSGAS BRÆNDSTOF CYLINDER

Brug kun gasflasker med en kapacitet på minimum 5 kg (11 lb) og maksimum 15 kg (33 lb). En gasflaske med ca. 318 mm (12,5 tommer) i diameter og 580 mm (22,8 tommer) i højde er den maksimale størrelse, der kan bruges. En gastrykregulator/slangesamling er inkluderet.



En bulet eller rusten gasflaske kan være farlig og bør kontrolleres af din gasflaskeleverandør. Brug aldrig en gasflaske med beskadiget ventil. Sæt støvhætten på flaskeventilens udløb, når gasflasken ikke er i brug. Installer kun den type støvhætte på gasflaskens ventiludløb, der følger med flaskens ventil. Andre typer hætter eller propper kan føre til gaslækage.

TILSLUTNING TIL FLYDENDE PETROLEUMSGAS

Sørg for, at de sorte plastikhylstre på gasflaskens ventil sidder korrekt, og at slangen ikke berører fedtbakken eller grillhovedet.

FORBINDELSE

⚠ VIGTIGT

- En gasbrændstofcylinder skal købes separat.
- Gastrykregulator-/slangesamling der følger med grillen, skal anvendes. Udskiftningsgastrykregulator-/slangesamling, der er specifik for din model, fås hos din udendørs grillforhandler.
- Det er forbudt at placere gasbeholderen på apparatets bundpanel.

SÅDAN TILSLUTTES GASBRÆNDSTOF CYLINDEREN:

- Sørg for, at gasbrændstofcylinderen er i "OFF"-position. Hvis ikke, drej ventilen med uret, indtil den stopper.
- Kontroller, at brænderens kontrolknapper er i "OFF"-position.
- Fjern eventuelt snavs og tjek ventilforbindelser, port og gastrykregulator/slangesamling for skader. Forsøg aldrig på at reparere beskadiget eller tilstoppet udstyr. Kontakt din lokale propanforhandler for reparation.

BEMÆRK: Hold altid gasflasken i en 90° (lodret) position for at sikre dampeksport.

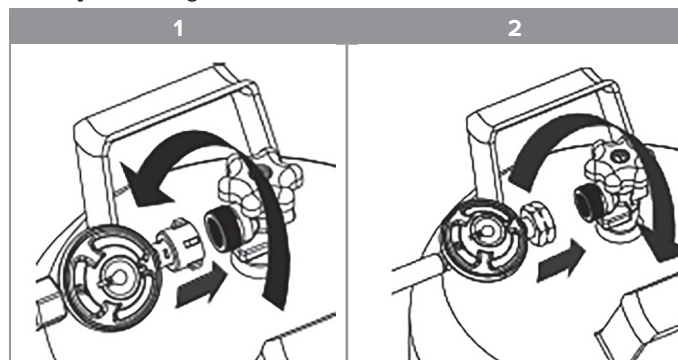
Nogle regulatorer har en trykfunktion for tilslutning og en trækfunktion for frakobling, mens andre har en møtrik, med enten en venstrehånds- eller en højrehåndsgevind, som forbinder til gasbeholderens ventil. IDENTIFICER DIN REGULATORTYPE, OG FØLG DE TILSLUTNINGSIKSTRUKTIONER, DER ER SPECIFIKKE FOR DEN REGULATOR.

1. Tilslut ved at dreje med uret

Skrue regulatoren på gasflasken ved at drejetilslutningsmøtrikken med uret.

2. Tilslut ved at dreje mod uret

Skrue regulatoren på gasflasken ved at drejetilslutningsmøtrikken mod uret.



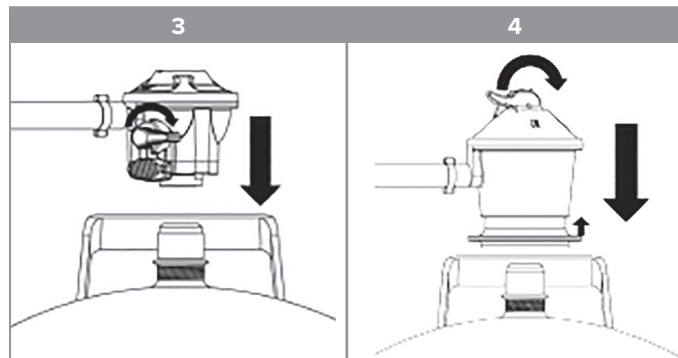
3. Tilslut ved at dreje håndtaget/snappingen på plads

Drej regulatorens håndtag med uret til OFF. Tryk regulatoren ned på beholderens ventil, indtil du hører et tydeligt 'klik'. Kontroller at regulatoren er helt låst og på plads ved at trække forsigtigt opad. Hvis regulatoren kommer løs, gentag proceduren.

4. Forbind med glidende krave

Sørg for at regulatorens håndtag er sat til OFF. Før fastgørelsesringen på regulatoren op. Skub regulatoren ned på gasbeholderens ventil og fasthold et tryk nedad på regulatoren. Før fastgørelsesringen ned for at låse regulatoren til beholderens ventil. Kontroller at regulatoren sidder fast. Hvis regulatoren kommer løs, gentag proceduren.

Bemærk: Hvis en slange- og regulatorenhed ikke følger med din grill, se venligst tabellen "Europæiske Gastryk og Specifikationer" for at identificere det regulator-gastryk og den mundingsstørrelse, der kræves.



KRAV TIL GASTILSLUTNING

Sørg for, at gasflaskeventilens tilslutningsanordning passer korrekt med tilslutningsanordningen, der er fastgjort til trykregulatorens indløb.

- Åbn gastilførslen ved kilden ved at følge de instruktioner, der er specifikke for den pågældende regulator.
 - **Påskruet regulator:** Drej ventilhåndhjulet, der er placeret ved gasflasken, mod uret.
 - **Clip-on regulator:** Flyt regulatorhåndtaget til ON.
- Før du tænder grillen, test alle forbindelser ved at påføre en godkendt, ikke-ætsende lækagedetektionsopløsning. Bobler vil indikere en lækage.
- Hvis der opdages en lækage, sluk for cylinderventilen, og anvend ikke grillen. Kontakt en kvalificeret gastekniker for reparation.
- Gå til afsnittet "Kontroller og juster brænderne".

TO DISCONNECT THE GAS FUEL CYLINDER

- Kontroller, at brænderens kontrolknapper er i "OFF" positionen, og at grillen er kølig.
- Kontroller, at gasbrændstofcylinderen er i "OFF" positionen. Hvis ikke, drej ventilen med uret, indtil den stopper.

LÆKAGETEST

GENERELT

Selvom alle gastilslutninger på grillen er blevet lækagetestet før forsendelse, skal der gennemføres en komplet lækagetest på installationsstedet pga. evt. fejlhåndtering under forsendelse eller utilsigtet voldsom trykopybygning i enheden. Kontroller løbende hele systemet for lækage ved at følge de procedurer, der fremgår nedenfor. Hvis du bemærker gaslugt på noget tidspunkt, skal du øjeblikkeligt kontrollere hele systemet for lækage.

FØR TEST

Sørg for, at alt emballeringsmateriale er blevet fjernet fra grillen, herunder fastholdningsstroppe.

RYG IKKE UNDER LÆKAGETEST.

UDFØR ALDRIG LÆKAGETEST I NÆRHEDEN AF ÅBEN ILD.

Lav en sæbeopløsning bestående af 1 del opvaskemiddel og 1 del vand. Forbered en sprayflaske, børste eller klud for at påføre opløsningen på tilslutningerne. Til den indledende lækagetest, sørg for, at gasflasken er 80 % fuld.

FOR AT TESTE

- Sørg for, at kontrolventilerne er i positionen, og tænd for gasforsyningen.
- Kontroller alle forbindelser fra LP-gasregulatoren og forsyningsventilen til og med forbindelsen til manifoldrørsamlingen (røret, der fører til brænderne). Sæbebobler vil vise, hvor der er en lækage.
- Hvis der er lækage til stede, skal du øjeblikkeligt afbryde gasforsyningen og tilstramme tilslutninger med lækage.
- Tænd for gassen igen og kontroller igen.
- Hvis gassen fortsætter med at lække fra nogen af armaturerne, sluk for gasforsyningen og kontakt kundeservice.

- Identificer din regulatorstype. Sluk for gasforsyningen fra kilden, og afbryd regulatoren fra gasflasken ved at følge de specifikke instruktioner for den regulator.
 - **Afbryd ved at dreje mod uret:** Drej ventilhåndhjulet, der er placeret ved cylinderen, med uret. Skru regulatoren af gasflasken ved at dreje tilslutningsmøtrikken mod uret.
 - **Afbryd ved at dreje med uret:** Drej ventilhåndhjulet, der er placeret ved gasflasken, med uret. Skru regulatoren af gasflasken ved at dreje tilslutningsmøtrikken med uret.
 - **Afbryd ved at dreje håndtaget/snappingen på plads:** Flyt regulatorhåndtaget til positionen OFF. Skub regulatorhåndtaget ind, indtil det frigøres fra gasflasken.
 - **Afbryd med glidende krave:** Flyt regulatorhåndtaget til positionen OFF. Træk op i holderingen for at løsne regulatoren fra gasflaskeventilen. Løft regulatoren væk fra cylinderventilen.
- Sæt støvhætten på gasflaskens ventiludløb, når cylinderen ikke er i brug. Monter kun den type støvhætte, der følger med cylinderventilen, på ventiludløbet. Andre typer hætter eller propper kan medføre lækage af flydende petroleumsgas.
- Lad grillen køle af i mindst 30 minutter, før du forsøger at flytte eller transportere den.

⚠ KONTROLLER ALTID FOR UTÆTHEDER EFTER HVERT GASFLASKE-SKIFT

Kontroller alle gasforsyningstilslutninger for lækage før hver brug. Det er en god idé at have en sprayflaske med sæbevand i nærheden af forsyningslinjens afbryderventil. Sprøjt på alle samlinger. Bobler er et tegn på lækage.

Kun de dele, der anbefales af producenten, må bruges på kundeservice. grillen.

Andre dele ugyldiggør garantien. Brug ikke grillen, før alle tilslutninger er blevet kontrolleret for lækage.

KONTROL AF GASSTRØMNING

Hver enkelt grillbrænder er blevet testet og justere fra fabrikkens side før afsendelse. Variationer i den lokale gasforsyning kan dog gøre det nødvendigt at justere brænderne. Brændernes flammer skal kontrolleres visuelt. Flammerne skal være blå og stabil uden gule spidser, voldsom støj eller flakken. Hvis nogle af disse forhold eksisterer, skal du kontrollere, om luftåbneren eller brænderportene er blokeret af snavs, edderkoppespind osv. Hvis du har spørgsmål om flammestabilitet, ring venligst til kundeservice.

TJEKLISTE TIL AFSLUTTET INSTALLATION

<input type="checkbox"/>	Minimumsafstand fra siderne og bagsiden af enheden til brændbar konstruktion er 1 meter fra siderne og 1 meter fra bagsiden.
<input type="checkbox"/>	Al indvendig emballage er fjernet.
<input type="checkbox"/>	Knapperne kan dreje frit.
<input type="checkbox"/>	Brænderne er tilstrækkeligt tætte og sikker korrekt på hullerne.
<input type="checkbox"/>	Trykregulatoren er tilsluttet og aktiveret. Gasforbindelser til grillen ved hjælp af den medfølgende slange- og regulator.
<input type="checkbox"/>	Enheden er blevet testet og er fri for lækage.
<input type="checkbox"/>	Brugeren er blevet informeret om placeringen af afbryderventilen til gassen

BRUGEREN SKAL OPBEVARE DENNE MANUAL AF HENSYN TIL FREMTIDIG BRUG.

FORHOLDSREGLER VEDR. PROPANFLASKER

1. Lad være med at opbevare en ekstra gasflaske under eller i nærheden af dette apparat.
2. Fyld ALDRIG gasflasken mere end 80 procent.

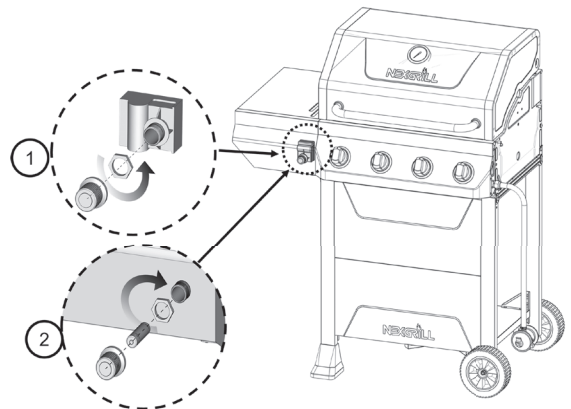
Hvis instruktionerne "a" og "b" ikke overholdes omhyggeligt, kan der opstå brand med død eller alvorlige kvæstelser til følge.

VIGTIG BATTERIINFORMATION

For at mindske risikoen for forkert brug eller misbrug af batteriet skal du følge nedenstående installationsinstruktioner.

- Ikke-genopladelige batterier må ikke genoplades.
- Bland ikke forskellige typer batterier såsom alkaliske, kul-zink eller genopladelige batterier.
- Bland ikke gamle og nye batterier.
- Fjern brugte batterier fra produktet.

1 DC 1,5 V type AA-batteri medfølger IKKE. Batteriet skal isættes med den korrekte polaritet som vist til højre.



KOMPONENTIDENTIFIKATION

IMPORTANT: REMOVE ALL PACKAGING, INCLUDING STRAPS, BEFORE USING THE GRILL.



ELEKTRONISK
TÆNDINGSKNAP

Hovedbrændere

BETJENINGSVEJLEDNING

⚠️ VIGTIGT: FJERN AL EMBALLAGE, INKLUSIVE STROPPER, INDEN GRILLEN TAGES I BRUG.

- **DO NOT** use aluminum foil to cover the removable grease tray or the firebox.
- Before each grilling session, inspect the flame tamers, grease tray, and firebox for buildup. Clear out any excess grease to reduce the risk of a flare-up.
- Take care when handling the grease tray and discarding hot grease, as burns or spills may occur.
- Always wear heat-safe barbecue gloves or mitts when using the grill.
- Keep the area around the propane tank's ventilation openings clean and free of blockages.
- Ensure propane tanks are properly installed according to gas hook-up instructions section of this manual.
- Ensure the hose is properly secured using the Hose Retention Clip. Failing to do so may damage the hose and lead to fire or explosion, which could result in serious injury or death, as well as property damage.
- Keep all electrical cords and the fuel hose safely away from hot surfaces to prevent melting or ignition.
- **DANGER** – Regularly inspect grill brushes for worn bristles or damage. If you find any loose bristles on the grates or brush, replace the brush immediately. We recommend starting each grilling season with a new grill brush.

bruning. De fleste fødevarer tilberedes ved høj varme under hele tilberedningstiden. Ved grillning af større stykker kød eller fjerkræ kan det dog være nødvendigt at indstille varme til en lavere værdi efter den indledende bruning. Dette gennemtilbereder uden at branke overfladerne. Fødevarer, der tilberedes i lang tid, eller fødevarer, der skal pensles med sukkerholdige marinader, skal muligvis tilberedes ved en lavere varmeindstilling i slutning af tilberedningstiden.

⚠️ EFTERLAD IKKE GRILLEN UDEN FOR OPSYN UNDER TILBEREDNING.

BEMÆRK: Den varme grill steger maden og forseglr safterne. Jo mere grundigt grillen forvarmes, desto hurtigere bruner kødet, og jo mørkere bliver grillens mærker.

GENEREL BRUG AF GRILLEN

Hver hovedbrænder har en effekt på 2,93 kW.

Sidebrænderen har en effekt på 2,5 kW.

Hovedgrillbrænderne omfatter hele tilberedningsområdet, og har åbninger i siden med henblik på at minimere blokeringer fra nedfaldende fedt og fragmenter. Knapperne er placeret på den nedre midterste del af kontrolpanelet. Hver enkelt knap er mærket på kontrolpanelet.

Denne grill er beregnet til effektiv grillning uden brug af lavasten eller briketter af nogen art. Varmen udstråles af de rustfrie stålflammehæmmere, der er placeret over hver enkelt brænder.

Minimum omgivende driftstemperatur: 0°F, (-17,8°C)

KONTROLLER GASLANGEN

Kontroller gastrykregulatoren/slangesamlingen før hver brug.

1. Åbn venstre skabslåge.
2. Undersøg gastrykregulatoren/slangesamlingen for snitsår, afskrabninger eller overdreven slitage.
3. Udskift om nødvendigt gastrykregulatoren/slangen samlingen før grillen tages i brug. Kontakt producenten og brug kun udskiftningsslanger, der er specificeret til brug med grillen.

BRUG AF GRILLEN

Grilning kræver høje temperaturer til stegning og korrekt

TÆNDINGSVEJLEDNING

⚠ ADVARSEL: VIGTIGT!

FØR ANTÆNDING

Undersøg gasforsyningsslangen, før du tænder for gassen (ON) Hvis der er tegn på snit, slid eller kraftige brugsspor, skal den udskiftes før brug. Brug ikke grillen, hvis der lugter af gas. Kun trykregulatoren og slangesamlingen, der følger med apparatet, bør bruges.

Udskift aldrig regulatorer og slangesamling til andet end hvad der følger med grillen. Hvis en udskiftning er nødvendig, skal du kontakte producenten for korrekt udskiftning. Reservedelen skal være den, der er angivet i manualen.

Forsøg ikke at tænde grillen, hvis der lugter af gas.

Ring for service ved at kontakte kundeservice på +49 5251 875 6174 (i Tyskland). Mandag-torsdag 7:30 - 17:00, fredag 7:30 - 14:00, GMT+2. Du kan også kontakte os via e-mail på ServiceDK@nexgrill.com (i Skandinavien), ServiceDE@nexgrill.de (i Tyskland) eller ServiceFR@nexgrill.com (i Frankrig).

Hver brænder er blevet justeret før forsendelse. Variationer i den lokale gasforsyning kan dog gøre mindre justeringer nødvendige.

⚠ ADVARSEL

Hold altid dit ansigt og krop så langt væk fra brænderen som muligt, når du tænder grillen.

⚠ ADVARSLER

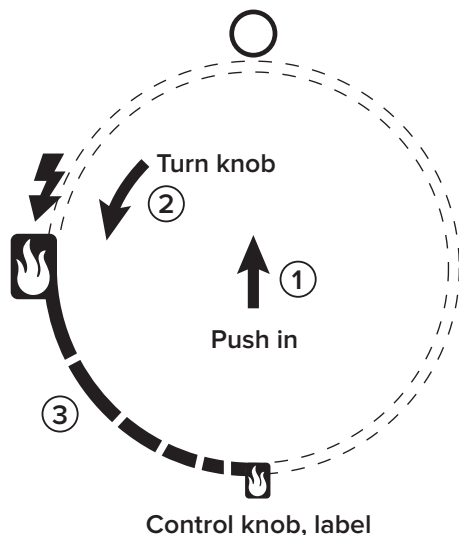
Sæt støvhætten på gasflaskeventilens udløbsport, når flasken ikke er i brug. Installer kun den type støvhætte på flaskeventilens udløbsport, der følger med gasflaskeventilen. Andre typer hætter eller propper kan resultere i lækage af propan.

Der skal være slukket for gassen ved forsyningscylinderen, når enheden ikke er i brug. Hvis apparatet opbevares indendørs, skal gasflasken frakobles og fjernes fra apparatet. Gasflasker skal opbevares udendørs i et godt ventileret område uden for børns rækkevidde.

TÆNDING AF HOVED- OG SIDEBRÆNDER

Sørg for, at alle knapper er slukkede, og tænd derefter for gasforsyningen fra gasflasken. Hold altid ansigt og hænder på så lang afstand af grillen som muligt, når du tænder op.

For ekstra sikkerhed skal du åbne den manuelle afspærringsventil i gasforsyningslinjen. Ventilen er åben, når håndtaget er parallelt med gasrøret.



Opbevar en sprayflaske med sæbevand i nærheden af gasforsyningsventilen, og kontroller tilslutningerne før hver brug.

PLEJE OG VEDLIGEHOLDELSE

RUSTFRIT STÅL

Der findes mange forskellige typer rengøringsmidler til stål. Benyt altid den mildeste rengøringsprocedure først, og skrub i retningen af årenerne. Benyt ikke ståluld, eftersom det vil beskadige overfladen. Du kan udbedre ridser i det rustfrit stål ved at sandslibe meget forsigtigt med tørsandpapir i klasse 100 i retning af årenerne. Der kan samle sig fedtpletter på overfladen af det rustfrit stål, som kan blive bagt fast på overfladen og ligne rust. Benyt en blød skuresvamp sammen med rengøringsmiddel til rustfrit stål.

GRILLRIST

Den nemmeste måde at rengøre grillen på er umiddelbart efter tilberedning og slukning af flammen. Brug en grillhandske til at beskytte hånden mod varme og damp. Dyp en barbecue-børste med messingbørster i vand og skrub den varme grill. Dyp hyppigt børsten i vandet. Damp, der dannes, når vandet får kontakt med den varme grill, hjælper med at rengøre igennem blødning af evt. fødevarerpartikler. Hvis grillen når at køle ned før rengøring, kan rengøringen vanskeliggøres.

SØRG FOR, AT GASFORSYNINGEN OG KNAPPERNE ER I " " -POSITIONEN. SØRG FOR, AT BRÆNDEREN ER KØLIG, FØR DU FJERNER DEN.

GRILLBRÆNDERE

Der skal udvises ekstrem forsigtighed ved flytning af en brænder, eftersom den skal centreres korrekt i hullet, før der gøres forsøg på at tænde grillen igen. Hvor tit rengøring er påkrævet afhænger af, hvor ofte du bruger grillen. Sørg for, at gasforsyningen er slukket, og at knapperne befinder sig i positionen " ". Sørg for, at grillen er kølig. Rengør det udvendige af brænderen med en stålborste. Fjern genstridige pletter med en metalskraber. Rens evt. tilstoppede porte med en udstrakt papirklips. Brug aldrig en tandstikker, da den kan knække og stoppe hullet. Bemærk venligst, hvis insekter eller andre forhindringer blokerer for gasstrømmen gennem brænderen. I så fald skal du ringe til vores kundeservice.

RENGØRING AF FEDTBASSE

Fedtbasen skal tømmes og aftørres ofte for at undgå fedtbrande. Vask med en mild sæbe og varm vandopløsning. Der kan placeres en lille mængde sand i bunden af fedtskuffen for at absorbere fedtet. Kontroller løbende fedtskuffen, og lad ikke overskydende fedt samle sig og flyde over i fedtskuffen.

⚠ ADVERSAL

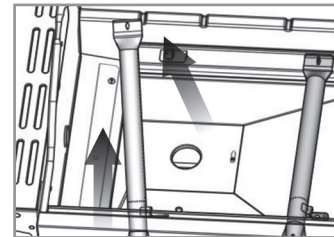
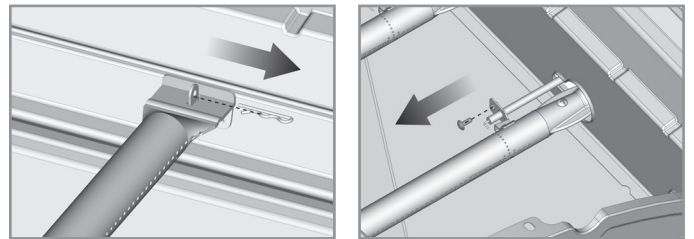
- Hold udendørs gasapparat til fødevarer tilberedning ryddeligt og frit for brandbare materialer, benzin og letantændelige dampe og væsker.
- Bloker ikke for forbrændingsgennemstrømning og ventilationsluft.
- Hold ventilationsåbningerne til flasken ryddelige og fri for fragmenter.

⚠ ADVERSAL

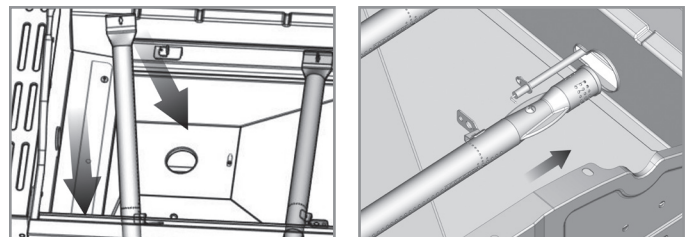
Hvis du ønsker at udskifte hovedbrænderen, anbefaler vi kraftigt, at du lader en fagperson gøre det. Vi fralægger os alt ansvar for personkvæstelser og tingskader, der opstår som følge af en forkert samlet brænder.

SÅDAN UDSKIFTES HOVEDBRÆNDEREN

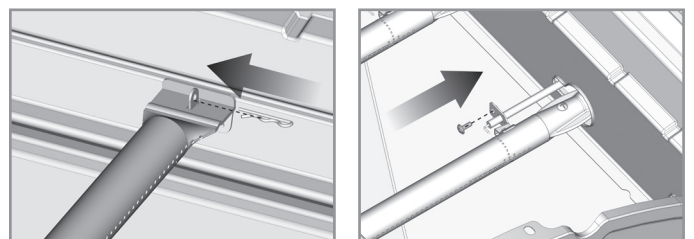
Trin 1. Fjern hovedbrænderens ben "R" på bagsiden af ildboksen ved brug af en spidstang. Brug en fladhovedet skruetrækker til at fjerne brænderbendækslet, og fjern derefter brænderen på forsidevæggen af ildboksen som vist nedenfor.



Trin 2. Isæt brænderen i hullet, og fastgør brænderbenet i brænderen som vist nedenfor. Sørg for, at brænderhullet er rettet ind imod hullet.



Trin 3. Fast hovedbrænderen på bagvæggen af ildboksen med benet "R".



FEJLFINDING

ADVARSEL OM EDDERKOPPER OG INSEKTER

Kontrol og rensning af brænder-og venturirør for insekter og insekthuler. En tilstoppet slange kan føre til brand under grillen. Selvom et blokeret brænderrør ikke er den eneste årsag til flashback, er det den mest almindelige.

Med henblik på at reducere risikoen for flashback skal brænderrørene rengøres for samling af grillen samt mindst én gang om måneden i sensommeren eller i løbet af det tidlige forår, hvor edderkopper er mest aktive. Gennemfør også proceduren til rengøring af brænderrørene, hvis grillen ikke har været brugt igennem længere tid.

HVORNÅR DU SKAL LEDE EFTER EDDERKOPPER

Du bør inspicere brænderne mindst en gang om året eller umiddelbart efter, at et af følgende forhold opstår:

- Lugten af gas i forbindelse med, at brænderens flammer ser gule ud.
- Grillen når ikke temperaturen.
- Grillen varmer ujævnt.
- Brænderne laver knaldende lyde.

FØR DU RINGER EFTER SERVICE

Hvis grillen ikke fungerer korrekt, skal du bruge følgende tjekliste, før du kontakter producenten for service. Du kan muligvis spare omkostningerne ved en servicering.

FORVARMNING: Grillens låg skal være lukket i forbindelse med forvarmningen. Det er nødvendigt at forvarme grillen, før du tilbereder visse fødevarer, afhængigt af fødevarerens type og tilberedningstemperaturen. Fødevarer, der kræver høje tilberedningstemperaturer, skal genopvarmes i en periode på 5 minutter. Fødevarer, der kræver lavere tilberedningstemperaturer, skal kun genopvarmes i 2-3 minutter.

TILBEREDNINGSTEMPERATURER

Høj indstilling: Brug denne indstilling til hurtig opvarmning, til stegning af bøffer og koteletter samt til grillning.

Lav indstilling: Brug denne indstilling til al ristning, bagning og tilberedning af meget magre udsækninger såsom fisk.

Disse temperaturer varierer afhængigt af udetemperaturen og vindhastigheden.

Tilberedning med indirekte varme: Du kan tilberede fjerkræ og andre større udsækninger langsomt og til perfektion på den ene side af grillen igennem indirekte varme fra brænderen på den anden side. Varme fra den tændte brænder cirkulerer nænsomt i hele grillen og tilbereder kødet eller fjerkræet, uden at nogen direkte flamme kommer i berøring med det. Metoden reducerer i høj grad selvantændelse ved tilberedning af særligt fedt kød, eftersom ingen indirekte flammer kommer i kontakt med fedt og kødsaft, der drypper ned i forbindelse med tilberedning.

⚠ADVARSEL

Hvis brænderne går ud under drift, skal du lukke for gastilførslen ved kilden og lukke for alle gasventiler. Åbn låget, og vent i 5 minutter, før du forsøger på at tænde op igen (på den måde ryddes akkumulerede gasdampe).

⚠ADVARSEL

Hvis der opstår fedtbrand, skal gasforsyningen afbrydes. Sluk for alle brændere, og lad låget være på, indtil ilden er slukket.

⚠ADVARSEL

Forsøg IKKE at frakoble et gasarmatur, mens din grill er i drift. Som med alle apparater holder passende pleje og vedligeholdelse enheden i topstand og forlænger dens levetid. Din gasgrill er ingen undtagelse.

⚠ADVARSEL

Sidebrænderens låg bliver varmt, hvis det bruges, når låget er lukket.

FEJLFINDING

HOW TO RESET THE REGULATOR SAFETY DEVICE

The regulator includes a safety feature that limits gas flow if a leak is detected. Sometimes, this feature can activate even when there's no leak.

To reset it:

1. Turn off all burner knobs and close the LP tank valve.
2. Disconnect the regulator from the LP tank.
3. Open the grill lid.
4. Turn all burner knobs to high (the 9 o'clock position) and wait for 1 minute.
5. After one minute, turn all burners off.
6. Reconnect the regulator to the LP tank.
7. Slowly open the LP tank valve all the way.
8. Light the burners and check if the grill heats up normally.

PROBLEM	LØSNING
Når jeg forsøger på at tænde op i min grill, tændes den ikke med det samme.	<ul style="list-style-type: none"> • Sørg for, at tænderen producerer en gnist, når du forsøger at tænde brænderen. Hvis der ikke er nogen gnist, skal du kontrollere, at batteriet er installeret korrekt. • Kontroller, at ledningen sidder fast til elektrodesamlingen. • Rens ledningen(erne) og elektroden med sprit og en ren vatpind, og tør derefter med en klud. • Test andre brændere for at se, om de fungerer. Hvis de andre brændere virker, skal du kontrollere, om der er forhindringer i gasåbningen på den brænder, der ikke virker.
Regulator larmer.	<ul style="list-style-type: none"> • Udluftningsslangen på regulatoren kan være tilstoppet, eller regulatoren kan være defekt. Sørg for, at udluftningshullet på regulatoren ikke er blokeret. Ryd hullerne, og luk for gaskontrolventilerne. Vent i 10 minutter, og foretag genstart. • Tjek dine flammer for korrekt ydeevne. Hvis flammerne ikke brænder korrekt, skal regulatoren udskiftes.
Lågets fulde størrelse passer ikke til grillen.	<ul style="list-style-type: none"> • Låget kan være forkert til din grill. Det kan være, det skal sidde stramt. Sørg for, at låget har den rigtige længde til din grill. Mål det fra venstre mod højre. Sammenlign med grillens mål. Sammenlign placeringen og størrelsen af hættens på låget med din grill. Udbred dækket, og lad det ligge lidt tid –gerne i varmt sollys eller i et varmt lokale. • For grillmodeller med et sidehyledækket, der ligner en sok, skal placeres på i retningen venstre til højre.
Grillen opvarmes kun til 93-149°C / 200-300°F.	<ul style="list-style-type: none"> • Kontroller, om brændstofslangen er bøjet eller knækket. • Sørg for, at grillen er fri for støv. • Sørg for, at brænderen og hullerne er rene. • Kontroller for edderkopper og insekter. • Regulatoren er forsynet med en sikkerhedsenhed, der begrænser gasgennemstrømningen i tilfælde af lækage. Denne sikkerhedsenhed kan udløses uden tilstedeværelse af gaslækage. For at nulstille sikkerhedsanordningen, sluk for alle brændere og luk gasflaskeventilen. Frakobl regulatoren fra gasflasken og vent et minut. Tilslut regulatoren til gasflasken igen og åbn langsomt gasflaskeventilen, indtil den er helt åben. Tænd alle brændere, og bid mærke i temperaturen.
Det tager lang tid at forvarme grillen.	<ul style="list-style-type: none"> • Normal forvarmning til 260-316 °C/500-600 °F tager omtrent 10-15 min. Koldt vejr og vind kan påvirke forvarmningstiden. Hvis du bruger vulkanske sten eller briketter, kan dette forøge forvarmningstiden og maksimumstemperaturen
Brænderens flammer er ikke lyseblå.	<ul style="list-style-type: none"> • For meget eller ikke nok luft til flammen. • Højde er den primære årsag, men koldt vejr kan dog påvirke blandingen. • Brænderjustering kan være nødvendig. • Grillen står på et blæsende sted.

BESTILLING AF RESERVEDELE

SÅDAN BESTILLER DU RESERVEDELE

For at sikre, at du får de rigtige reservedele til din gasgrill, se venligst reservedelslisten på side 45. Følgende oplysninger er påkrævet, så du kan være sikker på at få den rigtige del. Bemærk, at du selv skal afholde omkostningerne for levering af alle udskiftningsdele.

- Gasgrillens modelnummer (se datamærkatet inde i grilldøren).
- Delnummeret på den udskiftningsdel, der er nødvendig.
- Beskrivelsen af den nødvendige reservedel.
- Antal nødvendige dele.

For at få reservedele, kontakt vores kundeservice hotline.

+49 5251 875 6174 | ServiceDE@nexgrill.de (DE)

+49 60 20 60 71 | ServiceDK@nexgrill.com (DK)

VIGTIGT

Brug kun fabriksgodkendte dele. Brugen af uautoriserede komponenter kan være farlig og vil annullere din garanti. Gem samlings- og betjeningsvejledningen for nem reference og bestilling af reservedele.

BEGRÆNSET GARANTI

Producenten garanterer den oprindelige forbrugerkøber kun, at dette produkt (Model #720-0925PS) er fri for fejl i håndværk og materialer efter korrekt montering og under normal og rimelig hjemmebrug i de angivne perioder, begyndende på købsdatoen. Producenten forbeholder sig retten til at kræve fotografisk bevis for skade, eller at defekte dele returneres til gennemgang og undersøgelse, hvor portoog/eller fragt forudbetales af forbrugeren. Nexgrills forpligtelse er begrænset til reparation, udskiftning eller afskrevet værdi, efter Nexgrills valg.

- RØRBRÆNDERE: 5 års BEGRÆNSET garanti imod gennemtrængning.
- TILBEREDNINGSRISTER og FLAMMETÆMMERE: 1 års BEGRÆNSET garanti. Dækker ikke fald, afgratning, ridser eller overfladeskader.
- DELE I RUSTFRIT STÅL: 1 års BEGRÆNSET garanti imod gennemtrængning. Dækker ikke kosmetiske problemer såsom overfladekorrosion, ridser og rust.
- ALLE ANDRE DELE: 1 års BEGRÆNSET garanti (omfatter men er ikke begrænset til ventiler, ramme, kabinet, vogn, kontrolpanel, tænder, regulator, slanger)*Dækker ikke afgratning, ridser, overfladekorrosion, skrammer eller rust.

Når forbrugeren fremlægger købsbevis som angivet heri, vil producenten reparere eller udskifte de dele, som er bevist defekte i den gældende garantiperiode. Dele, der kræves for at udføre en sådan reparation eller udskiftning, er gratis for dig, bortset fra forsendelsesomkostninger, så længe køberen er inden for garantiperioden fra den oprindelige købsdato. Den oprindelige forbrugerkøber vil være ansvarlig for alle forsendelsesomkostninger for dele, der udskiftes i henhold til betingelserne i denne begrænsede garanti. Denne begrænsede garanti gælder kun i Tyskland og Skandinavien. Den er kun tilgængelig for den oprindelige ejer af produktet og kan ikke overdrages. Producenten kræver et rimeligt bevis på din købsdato. Derfor bør du beholde din salgskvittering og/eller faktura. Hvis enhedene modtaget som en gave, bedes du venligst bede gavegiveren om at indsende kvitteringen på dine vegne til nedenstående adresse. Defekte eller manglende dele, der er omfattet af denne begrænsede garanti, udskiftes ikke uden registrering eller købsbevis. Den begrænsede garanti er ALENE gældende for produktets funktionalitet og dækker ikke kosmetiske problemer såsom ridser, buler, korrosion eller affarvning fra varme, slibende og kemiske rengøringsmidler eller nogen værktøjer, der benyttes i forbindelse med samling eller installation af apparatet, overfladerust eller affarvning af overflader i rustfrit stål. Overfladerust, korrosion eller pulvermalingsafslag på metaldele, som ikke påvirker produktets strukturelle integritet, betragtes ikke som en defekt i udførelse eller materiale og er ikke dækket af denne garanti. Denne begrænsede garanti refunderer dig ikke omkostningerne ved ulejlighed, mad, personskade eller ejendomsskade. Hvis en original reservedel ikke er tilgængelig, vil en sammenlignelig reservedel blive sendt. Du vil være ansvarlig for alle forsendelsesomkostninger for dele, der udskiftes i henhold til betingelserne i denne begrænsede garanti.

PRODUCENTEN VIL IKKE BETALE FOR:

- Servicebesøg i dit hjem.
- Reparationer, når dit produkt bruges til andet end normal brug i en familiehusholdning eller privat brug.
- Skader som følge af ulykke, ændring, misbrug, manglende vedligeholdelse/rengøring, brand, oversvømmelse, naturkatastrofer, forkert installation og installation, der ikke er i overensstemmelse med el- eller VVS-regler, eller forkert brug af produktet.
- Ethvert madtab på grund af produktfejl.
- Udskiftningsdele eller reparationsarbejde for enheder, der anvendes uden for Tyskland og Skandinavien.
- Afhentning og levering af dit produkt.
- Portogebyrer eller fotobehandlingsgebyrer for billeder indsendt som dokumentation.
- Reparationer af dele eller systemer som følge af uautoriserede ændringer på produktet.
- Fjernelse og/eller geninstallation af dit produkt.
- Forsendelsesomkostninger, standard eller ekspres, for garanti/ikke-garanti og reservedele.

FRASKRIVELSE AF UNDERFORSTÅEDE GARANTIER; BEGRÆNSNING AF RETSMIDLER

Reparation eller udskiftning af defekte dele er din eneste løsning i henhold til betingelserne i denne begrænsede garanti. Producenten er ikke ansvarlig for eventuelle følgeskader eller tilfældige skader, der opstår som følge af brud på enten denne begrænsede garanti eller enhver gældende underforstået garanti, eller for fejl eller skader som følge af naturkatastrofer, ukorrekt pleje og vedligeholdelse, fedtbrand, ulykke, ændring, udskiftning af dele af andre end producenten, misbrug, transport, kommerciel brug, forkert brug, fjendtlige miljøer (uvejr, naturhandlinger, manipulation af dyr), forkert installation eller installation, der ikke er i overensstemmelse med lokale regler eller trykte producentens instruktioner.

DENNE BEGRÆNSEDE GARANTI ER DEN ENESTE UDTRYKKELIGE GARANTI, DER GIVES AF PRODUCENTEN. INGEN SPECIFIKATIONER ELLER BESKRIVELSE AF PRODUKTETS YDEEVNE ER GARANTERET AF PRODUCENTEN, UNDTAGET I DET OMFANG, DER ER ANGIVET I DENNE BEGRÆNSEDE GARANTI. ENHVER UNDERFORSTÅET GARANTIBESKYTTELSE, DER OPSTÅR UNDER ENHVER STATS LOVGIVNING, HERUNDER UNDERFORSTÅET GARANTI OM SALGBARHED ELLER EGNETHED TIL ET BESTEMT FORMÅL ELLER BRUG, ER HERMED BEGRÆNSET I VARIGHED TIL VARIGHEDEN AF DENNE GARANTI.

Hvis du ønsker at opnå opfyldelse af en forpligtelse under denne begrænsede garanti, skal du skrive til:

Martinsen Nordic A/S
Eksporthvej 7 - 8870 Langå
Danmark - CVR 27771025

Spørgsmål?

+49 5251 875 6174 | ServiceDE@nexgrill.de (DE)
+49 60 20 60 71 | ServiceDK@nexgrill.com (DK)

SIKKERHETSINSTRUKSJONER

⚠ FARE

Hvis du kan lukte gass:

- Steng av gassen til apparatet.
- Slukk ev. åpen ild.
- Åpne lokket.
- Hvis du fortsatt kjenner lukten, må du holde avstand til apparatet. Kontakt øyeblikkelig din gassleverandør eller brannvesenet.

⚠ ADVARSEL

- Ikke oppbevar eller bruk bensin eller andre brennbare væsker eller damper i nærheten av dette eller andre apparater.
- En flytende petroleumsgassflaske som ikke er tilkoblet for bruk, skal ikke oppbevares i nærheten av dette eller andre apparater.

⚠ ADVARSEL

For å redusere risikoen for brann, elektrisk støt, personskader eller skade ved bruk av utendørs propangassapparat, følg grunnleggende forholdsregler, blant annet:

- Kun for utendørs bruk.
- Les instruksjonene før du bruker apparatet.
- ADVARSEL: Tilgjengelige deler kan bli svært varme. Hold små barn på avstand.
- Flytt ikke apparatet mens det er i bruk.
- Hvis apparatet oppbevares innendørs, må gassflasken kobles fra og fjernes fra apparatet.
- Kontroller og rengjør brenner-/venturituber for insekter og insektsreir.

TILFØRSELSSYSTEM FOR FLASKER MED FLYTENDE PETROLEUMSGASS

- Gassflasker skal oppbevares utendørs i et godt ventilert område utilgjengelig for barn.
- Gassflasker må ikke oppbevares i bygninger, garasjer eller andre lukkede områder.
- Gassflaske-tilførselssystemet må være ordnet slik at det tillater damputtak.
- Gassflasken må ha en beskyttelseskrage for å beskytte ventilen.
- Koble aldri til en uregulert gassflaske til grillen din.
- Kun trykkregulatoren og slangesettet som følger med grillen skal brukes. Eventuelt erstatnings-trykkregulator- og slangesett skal være i samsvar med EN 16129:2013 og nasjonale forskrifter.
- Den fleksible slangen som brukes, med en lengde som ikke overstiger 1,50 meter, skal være i samsvar med EN 16436-1:2014+A3:2020.
- Denne grillen er konfigurert for flytende petroleumsgass. Ikke bruk naturgass.
- Inspiser slangen til gassflasken før hver bruk av det utendørs kokeapparatet for gass. Hvis slangen viser tegn til kraftig slitasje eller er skadet, MÅ den skiftes ut før bruk.
- Hvis det oppdages en lekkasje, steng gassflaskens ventil, koble fra drivstoffslangen fra grillen, og bruk ikke grillen.
- Kontakt forhandleren din og bruk kun reservedelslanger beregnet for utendørs gassapparater.
- Et reservedelssett for trykkregulator og slange som er spesifikt for din modell, er tilgjengelig hos forhandleren av utendørs gassapparater.
- Kontroller alltid koblinger for lekkasjer hver gang du kobler til og fra gassforsyningsflasken. Se seksjonen "Krav til gasskobling".
- Det anbefales å bytte den fleksible slangen når forholdene tilsier det.
- Sørg for at gasslangen ikke blir vridd.

SIKKERHETRUTINER FOR Å UNNGÅ PERSONSKADER

- Apparatet må holdes unna brennbare materialer under bruk.
- Hold området rundt utendørs gassapparater klart og fritt for brennbare materialer, bensin og andre brennbare damper og væsker.
- Ikke blokker luftstrømmen for forbrennings- og ventilasjonsluft. Hold ventilasjonsåpningene i lagringsinnretningen fri og ryddige for smuss og rusk.
- Utendørs gassapparater skal ikke plasseres under overhengende, ubeskyttet brennbar konstruksjon.
- Dette utendørs gassapparatet skal kun brukes ute og ikke i bygninger, garasjer eller andre lukkede områder.

SIKKERHETSINSTRUKSJONER

Hvis følgende informasjon ikke følges nøyaktig, kan det føre til brann som kan forårsake død eller alvorlig skade.

- Ikke oppbevar en ekstra gassflaske under eller i nærheten av dette utendørs gassapparatet.
- Fyll aldri gassflasken mer enn 80 prosent full.
- Når du bytter gassflaske, sørg for at du er borte fra alle tennkilder.
- RENGJØR GRILLEN FØR HVER BRUK FOR Å UNNGÅ FETTOPPBYGGING OG REDUSERE RISIKOEN FOR FETTBRANN.
- Apparatet blir varmt under og etter bruk. Bruk isolerte grytevotter eller hansker for å beskytte mot varme overflater eller sprut fra kokevæsker.
- Deler som er forseglet av produsenten, skal ikke endres av brukeren.
- Ikke modifier apparatet. Enhver modifikasjon av enheten kan være farlig.
- Steng gassforsyningen ved gassflasken etter bruk.
- Når utendørs gassapparatet ikke er i bruk, skal gassen stenges av ved forsyningsflasken.
- Ikke installer bærbare eller innebygde utendørs gassapparater i eller på bil, tilhenger, båt eller andre bevegelige installasjoner.
- Sørg for å opprettholde minimumsavstander fra brennbar materiale, se avsnittet «Krav til plassering» på side 4.
- Sørg for at alle elektriske ledninger og drivstoffslanger er unna varme overflater.
- Oppbevar apparatet på et tørt og kjølig sted når det ikke er i bruk over lengre tid.

⚠ ADVARSEL

Ikke slå på apparatet før du har lest avsnittet «TENNINGSSINSTRUKSJONER» i denne bruksanvisningen.

TESTET I HENHOLD TIL EN 498 & EN 484-STANDARDS FOR UTENDØRS GASSKOKING. DENNE GRILLEN ER KUN BEREGNET PÅ UTENDØRSBRUK.

MERK: Normal gjennomstrømning av gass gjennom regulator- og slangedelen skaper en vislelyd. Denne lyden er ved svak lydstyrke helt normal og forstyrrer ikke bruken av grillen. Dersom vislelyden er høy og overdreven, må du muligens tømme gass ut fra gasslangene eller nullstille enheten til overflødig gassgjennomstrømning. Denne gjennomskylningsprosedyren bør utføres hver gang en ny LPG-gassflaske kobles til grillen.

- Kjele som passer til bruk på sidebrenneren, er mellom 18 og 22 cm (7–8,6 tommer) i diameter.
- Ikke plasser tunge gjenstander på sidebordet. Maksimal vekt er 5 kg (11 lb).

KRAV TIL PLASSERING

Velg et sted med minimal eksponering for vind og ferdselsveier. Plasseringen bør være unna områder med sterk trekk. Ikke blokker for forbrenningsgjennomstrømning og ventilasjonsluft. Avstand til brennbar konstruksjon for grillen:

- Det må være minst 1 meter avstand mellom forsiden av grillhetten, sidene, baksiden av grillen og alle brennbare

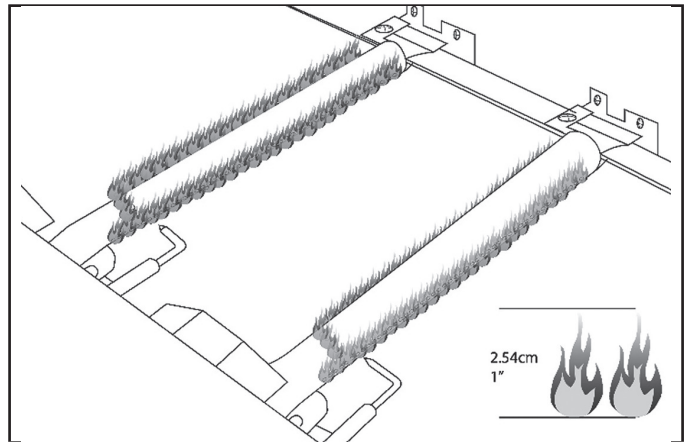
materialer.

- Det må også være minst 1 meter klaring under kokeoverflaten, og grillen må ikke brukes under overhengende brennbar materiale.
- Oppretthold en avstand på 3 meter fra brennbare gjenstander eller antennelseskilder, som pilotlys på varmtvannsberedere, elektriske apparater med spenning osv.

⚠ FORSIKTIG: PASS PÅ TILBAKESLAG

FORSIKTIG: Edderkopper og små insekter spinner av og til nett eller bygger reir i brennerørene under transport og lagring. Disse nettene kan hindre gassstrømmen, noe som kan føre til brann i og rundt brennerørene. Denne typen brann kalles "TILBAKESLAG" og kan forårsake alvorlige skader på grillen og skape farlige driftsforhold for brukeren. Selv om et blokkert brennerør ikke er den eneste årsaken til flashback, er det den vanligste.

For å redusere risikoen for flashback må brennerørene rengjøres før man monterer grillen samt minst én gang i måneden om sensommeren eller i løpet av den tidlige våren, da edderkopper er mest aktive. Gjennomfør også prosedyren for rengjøring av brennerørene dersom grillen ikke har vært brukt på lengre tid. Et tilstoppet rør kan føre til brann under grillen.



KONTROLLER OG JUSTER BRENNERNE

Brennerne er testet og fabrikkjustert for optimal ytelse. Variasjoner i gassforsyning og andre forhold kan imidlertid kreve justering av luftspjeld eller lav flammeinnstilling.

- Kontroller flammene på brenneren visuelt. De skal være blå. Litt gul skjær i tuppen er normalt for propangass. Flammene bør være omtrent 2,5 cm høye.
- For å kontrollere og justere grillbrennerflammer må ristene og flammedemperne fjernes.
- Det anbefales at kvalifiserte personer foretar brennerjusteringer.

Sjekk at brennerne ikke er blokkert av skitt, rusk, insektreir osv., og rengjør dem hvis det er nødvendig. Hvis de er rene, juster luftspjeldene etter behov.

EUROPEAN GAS PRESSURES AND SPECIFICATIONS

Manufacturer	Global Leisure Group Deutschland GmbH Karl-Schurz Strasse 25, 33100 Paderborn, Deutschland				
Model	720-0925PS				
Apparatkategori	I3+(28-30/37)	I3B/P(30)	I3B/P(37)	I3B/P(50)	
Gastype	Butan	Propan	Butan, propan eller en blanding av disse		
Gasstrykk (mbar)	28-30	37	28-30	37	50
Hovedbrennerens dysekapasitet (Ø mm)	0.85/1.02		0.85/1.02	0.81/0.94	0.76/0.84
Nominell varmeeffekt (Hs) (kW)	Totalt: 13.19				
Gassforbruk (g/t) (totalt)	Butan - Totalt: 1012				
	Propan - Totalt: 933				

MERK:

- Bruk 30 mbar-regulator med tilsvarende dysetørrelse for butan/propangass i kategori I3B/P(30).
- Bruk 30 mbar-regulator med tilsvarende dysetørrelse for butan i kategori I3+(28-30/37).
- Bruk 37 mbar-regulator med tilsvarende dysetørrelse for propan i kategori I3+(28-30/37).
- Bruk 50 mbar-regulator med tilsvarende dysetørrelse for butan/propangass i kategori I3B/P(50).

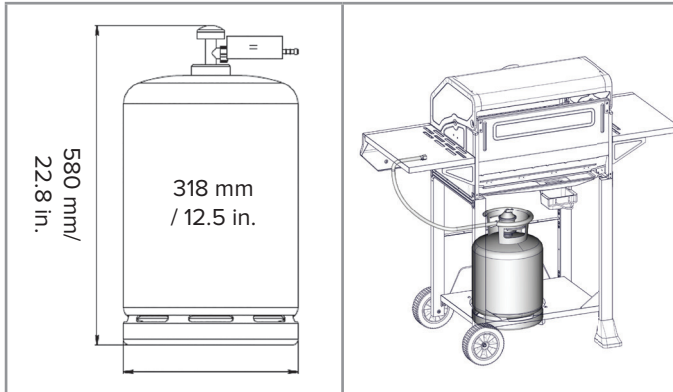
Merking på injektoren angir innsprøytningsstørrelsen. For eksempel betyr "0,90" at dyseåpningen er 0,90 mm.

Land	Gastype	Trykk
BE, CH, CY, CZ, ES, FR, GB, GR, IE, IT, LT, LU, LV, PT, SI, SK, TR	I3+	28-30/37 mbar
BE, BG, CY, CZ, DK, EE, FI, FR, GB, HR, HU, IS, IT, LT, LU, LV, MT, NL, NO, RO, SE, SI, SK	I3B/P	28-30 mbar
PL	I3B/P	37 mbar
AT, CH, DE, SK, LU	I3B/P	50 mbar
* Landkoder følger EN ISO 3166-1:2006.		

KRAV TIL GASS TILKOBLING

FLYTENDE PETROLEUMSGASS (LPG) FLASKE

Bruk bare gassflasker med en minimumskapasitet på 5 kg (11 lb) og en maksimumskapasitet på 15 kg (33 lb). En gassflaske med ca. 318 mm (12,5 tommer) i diameter og 580 mm (22,8 tommer) i høyde er den maksimale størrelsen som kan brukes. En gassregulator med slange følger med.



KRAV TIL LPG-FLASKE

En bulkete eller rusten LPG-flaske kan være farlig og bør sjekkes av leverandøren. Bruk aldri en gassflaske med en skadet ventil.

Sett støvhetten på flaskeventilen når gassflasken ikke brukes. Installer kun typen støvhette som leveres med flaskens ventil. Andre typer hetter eller plugger kan føre til lekkasje av gass.

TILKOBLING AV LPG (FLYTENDE PETROLEUMSGASS)

Sørg for at de svarte plastmuffene på ventilen til gassflasken er på plass, og at slangen ikke kommer i kontakt med fettbrettet eller grillhodet.

TILKOBLING

⚠ VIKTIG

- Gassflaske må kjøpes separat.
- Gasstrykkregulatoren og slangeoppsettet som følger med grillen, må brukes.
- Reservedel for trykkregulator og slange som passer akkurat din modell, fås hos forhandler av utendørsgrill.

FOR Å KOBLE PÅ GASSFLASKEN:

- Kontroller at gassflasken er i "AV"-stilling. Hvis ikke, skru ventilen med klokka til den stopper.
- Sjekk at brennerkontrollene står i "AV"-stilling.
- Fjern alt rusk og inspisert ventiltilkoblingene, portene og gasstrykkregulator/slangesettet for skader. Forsøk aldri på å reparere skadet eller tilstoppet utstyr. Kontakt din lokale propangassleverandør for reparasjon.

MERK: Hold alltid gassflasken i 90° (oppreist) stilling for å sikre korrekt fordampning.

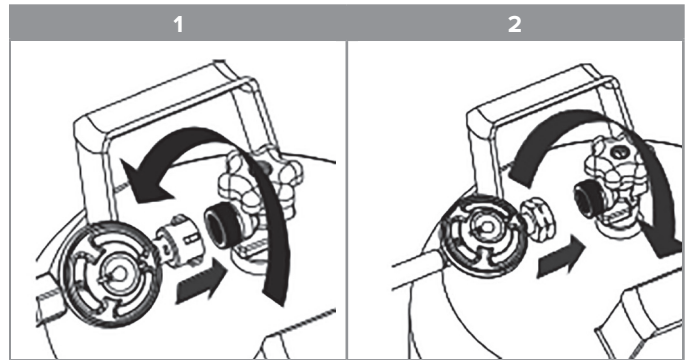
Noen regulatorer kobles til ved å trykke PÅ og kobles fra ved å dra AV, mens andre har en mutter med venstre- eller høyregjenger som kobles til ventilen på flasken. Identifiser typen regulator du har, og følg tilkoblingsinstruksjonene som gjelder for den regulatoren.

1. Koble til ved å vri med klokken

Skru regulatoren på gassflasken ved å dreie koblingsmutteren med urviseren.

2. Koble til ved å vri mot klokken

Skru regulatoren på gassflasken ved å dreie koblingsmutteren mot urviseren.



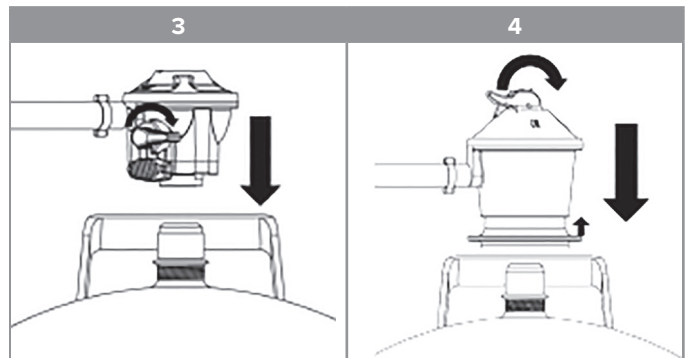
3. Koble til ved å vri spaken eller sette den på plass

Vri regulatorens spak med klokken til AV-posisjon. Trykk regulatoren ned på flaskeventilen til du hører et hørbart «klikk». Sjekk at regulatoren er helt låst og på plass ved å dra forsiktig oppover. Hvis regulatoren kobler seg fra, gjenta prosedyren.

4. Koble til ved å skyve hylsen

Sørg for at regulatorhendelen er i AV-posisjon. Skyv festeringen på regulatoren opp. Trykk regulatoren ned på sylinderventilen og hold jevnt nedadgående trykk på regulatoren. Skyv festeringen ned for å låse regulatoren til sylinderventilen. Kontroller at regulatoren sitter fast. Hvis regulatoren kobler seg fra, gjenta prosedyren.

Merk: Hvis grillen din ikke har en slange- og regulatorenhet, se tabellen "Europeiske gasstrykk og spesifikasjoner" for å avklare krav til regulatorgasstrykk og åpning.



KRAV TIL GASS TILKOBLING

Sørg for at ventiltilkoblingen til gassylinderen passer riktig til trykkregulatorens innløpskobling.

5. Åpne gassforsyningen ved kilden etter instruksene for den regulatoren.
 - Skruerregulator: Vri ventilhjulet på gassflasken mot klokka.
 - Klemmerregulator: Sett regulatorspaken til PÅ-stilling.
6. Før du tenner grillen, test alle tilkoblinger ved å bruke en godkjent, ikke-korroderende lekkasjedeteksjonsvæske. Bobler viser en lekkasje.
7. Hvis det er en lekkasje, steng sylinderventilen og ikke bruk grillen. Kontakt en kvalifisert gasstekniker for reparasjon.
8. Gå til «Kontroller og juster brennerne».

FOR Å KOBLE FRA GASSFLASKEN

1. Sjekk at brennerkontrollene står i "AV"-stilling og at grillen er avkjølt.
2. Kontroller at gassdrivstoff-sylinderen er i «AV»-posisjon. Hvis ikke, skru ventilen med klokka til den stopper.
3. Identifiser hvilken type regulator du har. Steng av gasstilførselen ved kildenheten og koble regulatoren fra gassflasken i henhold til de spesifikke instruksjonene for den regulatoren.
 - **Koble fra ved å vri mot klokka:** Vri ventilhjulet som sitter på sylinderen med klokken. Skru av regulatoren fra

- gassylinderen ved å vri koblingsmutteren mot klokka.
 - **Koble fra ved å vri med klokka:** Vri ventilhjulet på gassylinderen med klokka. Skru løs regulatoren ved å vri koblingsmutteren med klokka.
 - **Koble fra ved å vri hendelen eller klikke den på plass:** Flytt regulatorhendelen til AV-posisjon. Trykk inn regulatorhendelen til den frigjøres fra gassylinderen.
 - **Koble fra ved å skyve hylsen:** Flytt regulatorhendelen til AV-posisjon. Trekk opp sikringsringen for å frigjøre regulatoren fra ventiltilkoblingen på gassflasken. Løft regulatoren bort fra ventilen på sylinderen.
4. Sett støvhetten på gassylinderventilens utløp når sylinderen ikke er i bruk. Installer bare den typen støvhetten som følger med sylinderventilen, på ventilens utløp. Andre typer hetter eller pluggen kan føre til lekkasje av flytende petroleumsgass.
 5. La grillen kjøle seg i minst 30 minutter før du prøver å flytte eller transportere den.

LEKKASJETESTING

GENERELT

Selv om alle gasstilkoblinger på grillen er blitt lekkasjetestet før forsendelse, må det gjennomføres en komplett lekkasjetest på installasjonsstedet pga. ev. feilhåndtering under forsendelse eller utilsiktet voldsom trykkoppbygning i enheten. Kontroller løpende hele systemet for lekkasje ved å følge de prosedyrene som fremgår nedenfor. Hvis du kjenner gasslukt på noe tidspunkt, må du øyeblikkelig kontrollere hele systemet for lekkasje.

FØR TEST

Sørg for at alt emballasjemateriale er blitt fjernet fra grillen, inkludert fastholdningsstroppe.

UNNGÅ RØYKING I FORBINDELSE MED LEKKASJETEST. UTFØR ALDRI LEKKASJETEST I NÆRHETEN AV ÅPEN ILD.

Lag en såpeløsning bestående av 1 del oppvaskmiddel og 1 del vann. Gjør klar en sprayflaske, børste eller klut for å påføre løsningen på tilkoblingene. Ved første lekkasjetest må gassylinderen være 80 % full.

SLIK TESTER DU

1. Sørg for at kontrollventilene står i posisjonen "O" og slå på gassforsyningen.
2. Sjekk alle forbindelser fra L.P. gassregulatoren og forsyningsventilen helt frem til og inkludert tilkoblingen til manifoldrørsett som går til brennerne. Såpeskum vises der det er en lekkasje.

3. Hvis det er lekkasje til stede, må du øyeblikkelig koble fra gassforsyningen og stramme til tilkoblinger med lekkasje.
4. Slå på gassen igjen, og kontroller på nytt.
5. Hvis gassen fortsetter å lekke fra noen av koblingene, steng av gassforsyningen og kontakt kundeservice.

⚠ SJEKK ALLTID FOR LEKKASJER ETTER HVER GASSFLASKEBYTTE

Kontroller alle gassforsyningskoblinger for lekkasje før hver bruk. Det er en god idé å ha en sprayflaske med såpevann i nærheten av frakoblingsventilen til forsyningslinjen. Sprøyt på alle tilkoblinger. Bobler er et tegn på lekkasje.

Kun de delene som anbefales av produsenten, kan brukes på grillen. Andre deler gjør garantien ugyldig. Ikke bruk grillen før alle tilkoblinger er blitt kontrollert for lekkasje.

KONTROLL AV GASSGJENNOMSTRØMNING

Hver enkelt grillbrenner er blitt testet og justert på fabrikk før avsendelse. Variasjoner i den lokale gassforsyningen kan likevel gjøre det nødvendig å justere brennerne. Flammene på brennerne må kontrolleres visuelt. Flammene skal være blå og stabile uten gule toppe, voldsom støy eller flakking. Hvis noen av disse forholdene eksisterer, sjekk om luftspjeldet eller brennerinntakene er blokkert av skitt, rusk, edderkoppnett osv. Hvis du har spørsmål angående flammestabilitet, vennligst kontakt kundeservice.

INSTALLATØRENS SLUTTKONTROLLISTE

<input type="checkbox"/>	Minste avstand til brennbart materiale: 1 meter fra sidene og 1 meter bak enheten.
<input type="checkbox"/>	All innvendig emballasje er fjernet.
<input type="checkbox"/>	Knappene kan dreie fritt.
<input type="checkbox"/>	Brennerne er tilstrekkelig tette og sitter korrekt på hullene.
<input type="checkbox"/>	Trykkregulatoren er tilkoblet og aktivert. Koble gassen til grillen med slangen og regulatoren som følger med.
<input type="checkbox"/>	Enheten er blitt testet og er fri for lekkasje.
<input type="checkbox"/>	Brukeren er blitt informert om plasseringen av frakoblingsventilen til gassen

BRUKEREN SKAL TA VARE PÅ DENNE BRUKSANVISNINGEN FOR FREMTIDIG REFERANSE.

SIKKERHETSREGLER FOR PROPANFLASKE

- Ikke oppbevar en ekstra propangassylinder under eller i nærheten av dette apparatet.
- Fyll ALDRI på flasken til mer enn 80 % av kapasiteten.

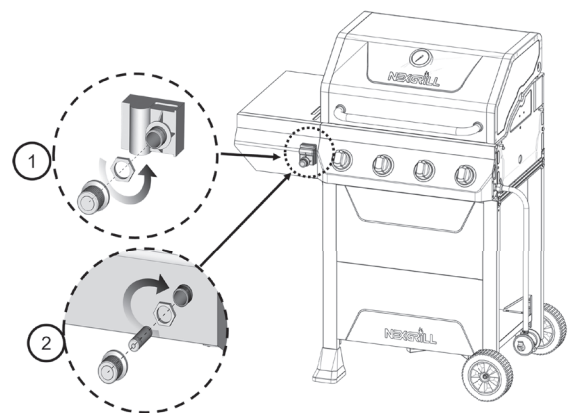
Vennligst merk: Hvis informasjonen i "1" og "2" ikke følges nøyaktig, kan det føre til brann eller eksplosjon som kan forårsake død eller alvorlig skade.

VIKTIG INFORMASJON OM BATTERIER

For å redusere sannsynligheten for at batteriet utsettes for feilbruk eller skader, følg instruksjonene for batteriinstallasjon nedenfor.

- Engangs- eller ikke-oppladbare batterier skal ikke lades opp.
- Ikke bland ulike typer batterier som alkaliske, karbon-sink eller oppladbare batterier.
- Ikke bland gamle og nye batterier.
- Fjern brukte batterier fra produktet.

1 DC 1,5 V type AA-batteri IKKE inkludert. Batteriet må settes inn med riktig polaritet som vist til høyre.



KONTROLLPANEL

VIKTIG: FJERN ALL EMBALLASJE, INKLUDERT STROPPER, FØR DU BRUKER GRILLEN.



↑
Elektronisk
tenneknapp

↑
Hovedbrennere

DRIFTSANVISNINGER

⚠ ADVARSLER OG FORSIKTIGHETSREGLER

- **IKKE** bruk aluminiumsfolie til å dekke den avtakbare fettoppsamlere eller brannboksen.
- Inspiser flammebeskyttere, fettoppsamlere og brannboksen for oppbygging før hver grilløkt. Fjern overflødig fett for å redusere risikoen for flammehendelse.
- Vær forsiktig når du håndterer fettoppsamlere og tømmer varmt fett, for å unngå forbrenninger og søl.
- Bruk alltid varmebestandige grillhansker eller grillvotter når du bruker grillen.
- Hold området rundt ventilasjonsåpningene på propantanken rent og fritt for hindringer.
- Sørg for at propantankene er korrekt installert i henhold til gasskoblingsinstruksjonene i denne manualen.
- Forsikre deg om at slangen er ordentlig sikret med slangeklemmen. Dersom dette ikke gjøres, kan slangen bli skadet og forårsake brann eller eksplosjon, noe som kan føre til alvorlig personskade eller død, samt materielle skader.
- Hold alle elektriske ledninger og brennstoffslangen trygt unna varme flater for å unngå smelting eller antenning.
- **FARE** - Inspiser grillbørster regelmessig for utslitte børster eller skader. Hvis du finner løse bust på grillristen eller børsten, bytt børsten umiddelbart. Vi anbefaler å starte hver grillsesong med en ny grillbørste.

GENERELL BRUK AV GRILLEN

Hver hovedbrenner er normert til 4 kW. Hovedgrillbrennerne omfatter hele tilberedningsområdet, og har åpninger i siden for å minimere blokkeringer fra fett og fragmenter som faller ned. Knappene er plassert på den nedre midterste delen av kontrollpanelet. Hver enkelt knapp er merket på kontrollpanelet.

Denne grillen er beregnet på effektiv grilling uten bruk av lavastein eller briketter av noe slag. Varmen utstråles av de flammehemmerne i rustfritt stål som er plassert over hver enkelt brenner.

Minimum omgivelsestemperatur: 0 °F (-17,8 °C)

INSPEKSJON AV GASSFLASKENS TILFØRSEL SLANGE

Inspiser gasstrykkregulator/slangesettet før hver bruk.

1. Åpne venstre skapdør.
2. Sjekk gassregulator og slange for kutt, skader eller overdreven slitasje.
3. Hvis nødvendig, bytt ut gassregulatoren og slangen før bruk. Kontakt produsenten og bruk kun erstatningsslanger som er spesifisert for bruk med grillen.

BRUK AV GRILLEN

Grilling krever høye temperaturer for steking og korrekt brunng. De fleste matvarer tilberedes på høy varme gjennom hele tilberedningstiden. Ved grilling av større stykker kjøtt eller fjærfe kan det likevel være nødvendig å stille inn varmen til en lavere verdi etter den innledende brunng. Dette gjennomtilbereder uten å svi overflatene. Matvarer som tilberedes i lang tid, eller matvarer som skal pensles med sukkerholdige marinader, må muligens tilberedes ved en lavere varmeinnstilling mot slutten av tilberedningstiden.

⚠ IKKE LA GRILLEN VÆRE UOVERVÅKET NÅR DU LAGER MAT.

MERK: Den varme grillen steker maten og forseglar saftene. Jo bedre grillen forvarmes, desto raskere brunes kjøttet og desto tydeligere blir grillmerkene.

TENNINGSINSTRUKSJONER

⚠ ADVARSEL: VIKTIG!

FØR TENNING

Inspiser gassforsyningsslangen før gassen slås på. Hvis det er tegn på brudd eller slitasje, må den skiftes ut før bruk. Ikke bruk grillen hvis du kjenner gasslukt. Kun den trykkregulatoren og den slangedelen som følger med til enheten, bør brukes. Skift aldri ut regulatorer eller slangedeler med andre deler enn dem som følger med til grillen. Hvis utskiftning er nødvendig, må du kontakte produsenten for egnet utskiftning. Utskiftningsdelene må være dem som fremgår av manualen.

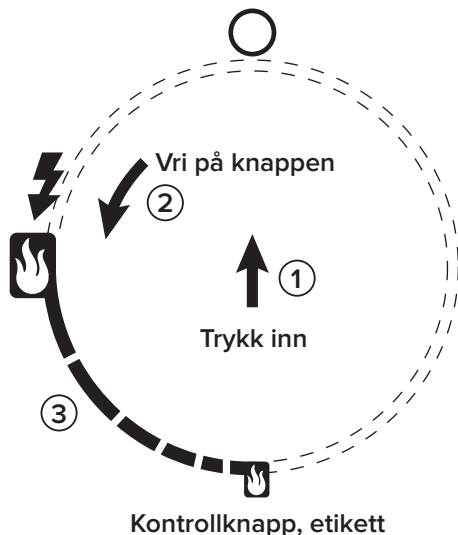
⚠ ADVARSEL

Hold alltid ansikt og hender på så lang avstand fra grillen som mulig når du tenner opp.

FOR Å TENNE HOVEDBRENNERNE

Kontroller at alle knotter står på av før du åpner gassforsyningen fra LPG (flytende propan)-tanken. Hold alltid ansikt og hender på så lang avstand fra grillen som mulig når du tenner opp.

For å tenne hovedbrenneren, trykk og vri på hovedbrennerens kontrollknapp til "⚡", samtidig som du trykker og holder inne den elektroniske tenneknappen for å tenne brenneren. Når brenneren tennes, skal du slippe den elektroniske tenningsknappen og knappen. Hvis brenneren ikke tennes, må du vente i 5 minutter på at overskuddsgassen fordampes og deretter prøve på nytt.



Oppbevar en sprayflaske med såpevann i nærheten av gassforsyningsventilen, og kontroller tilkoblingene før hver gang du bruker apparatet.

Ikke forsøk å tenne opp i grillen hvis du kjenner gasslukt. Ring kundeservice på telefon 0800-051-8916 (GB), 0800-908-612 (FR), 800-7601 (IS) eller 900-974-968 (ES). Mandag–torsdag 07:30–17:00, fredag 07:30–14:00, GMT+2. Språk som snakkes: Engelsk, fransk og spansk. Du kan også nå oss via e-post: ServiceEU@grillservices.com.

Hver brenner er blitt justert før forsendelse. Variasjoner i den lokale gassforsyningen kan likevel gjøre mindre justeringer nødvendige.

⚠ FORSIKTIG

Plasser en støvhette på ventilutløpet når flasken ikke er i bruk. Monter kun den typen støvhette på flaskeventilens utløp som følger med flaskeventilen. Andre typer hetter eller plugger kan føre til lekkasje av propan.

Gassen skal kobles fra ved forsyningssylinderen når enheten ikke er i bruk.

Hvis apparatet oppbevares innendørs, skal flasken kobles fra og fjernes fra apparatet. Gassflasker skal oppbevares utendørs i oppreist stilling og utilgjengelig for barn.

VEDLIKEHOLD OG PLEIE

RUSTFRITT STÅL

Det finnes mange forskjellige typer rengjøringsmidler for stål. Bruk alltid den mildeste rengjøringsprosedyren først, og skrub i retningen med årene. Ikke bruk stålull, ettersom det vil skade overflaten. Du kan utbedre riper i rustfritt stål ved å sandslipe svært forsiktig med tørrsandpapir i klasse 100 i retning av årene. Det kan samle seg fettflekker på overflaten av det rustfrie stålet, som kan bli bakt fast på overflaten og ligne rust. Bruk en myk skuresvamp sammen med rengjøringsmiddel for rustfritt stål.

GRILLRIST

Den enkleste måten å rengjøre grillen på, er umiddelbart etter tilberedning og slukking av flammen. Bruk en grillhanske til å beskytte hånden mot varme og damp. Bruk et grillrenseverktøy som tåler varme og er laget for rengjøring av varme overflater. Påfør vann eller andre rengjøringsmidler direkte på grillristene eller rengjøringsverktøyet for å lette rengjøringsprosessen. Hvis grillen får kjøle seg ned før rengjøring, blir rengjøringsprosessen mer vanskelig.

SØRG FOR AT GASSFORSYNINGEN OG BRYTERNE ER I «O»-STILLING. SØRG FOR AT DEN ØVERSTE BRENNEREN ER KALD FØR DU FJERNER DEN.

GRILLBRENNERE

Du må være ekstremt forsiktig når du flytter en brenner, ettersom den skal sentres korrekt i hullet før der gjøres forsøk på å tenne grillen igjen. Rengjøringshyppigheten avhenger av hvor ofte du bruker grillen.

RENGJØRING AV HOVEDBRENNEREN

Sørg for at gassforsyningen er av og at knappene er i «O»-posisjon. Sørg for at grillen er kald. Rengjør de utvendige delene på grillbrenneren med en stålbørste. Fjern gjenstridige flekker med en metallskrapet. Rens ev. tilstoppede porter med en utstrukket binders. Bruk aldri en tannpirker av tre, ettersom den kan knekke og blokkere porten. Vær oppmerksom på om insekter eller hindringer blokkerer gassstrømmen gjennom brenneren. Om så, kontakt kundeservice på 1-800-913-8999.

RENGJØRING AV FETTSKUFFEN

Fettskuffen skal løpende tømmes og tørkes av samt vaskes av med en blanding bestående av et mildt oppvaskmiddel og varmt vann. Det kan plasseres en liten mengde sand i bunnen av fettskuffen for å absorbere fett. Kontroller løpende fettskuffen, og ikke la overskuddsfett samle seg og flyte over i fettskuffen.

⚠ FORSIKTIG

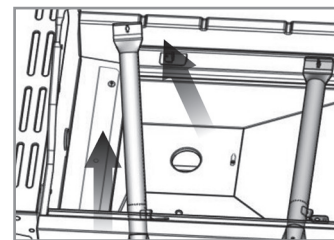
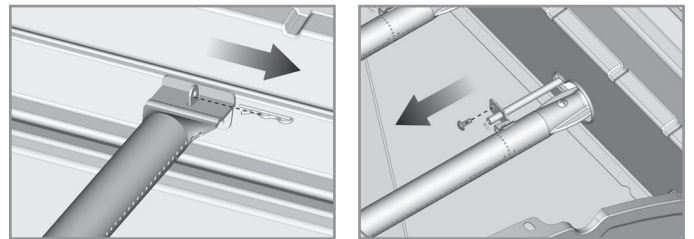
- Hold det utendørs gassapparatet for tilberedning av matvarer ryddig og fritt for brennbare materialer, bensin og lettantennelig damp og væske.
- Ikke blokker for forbrenningsgjennomstrømming og ventilasjonsluft.
- Hold ventilasjonsåpningene til flasken ryddige og frie for fragmenter.

⚠ ADVARSEL

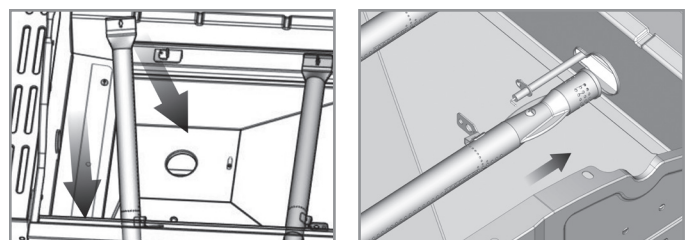
Hvis du ønsker å bytte hovedbrenneren, anbefaler vi på det sterkeste at du leier inn en profesjonelt utdannet tekniker for å gjøre dette. Vi fraskriver oss alt ansvar for skader på personer og gjenstander som oppstår som følge av en uriktig montert brenner.

SLIK SKIFTER DU UT HOVEDBRENNEREN

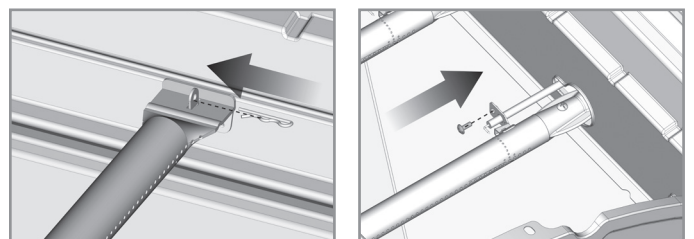
Trinn 1. Fjern hovedbrennerens ben «R» på baksiden av ildboksen ved hjelp av en spisstang. Bruk en flat skrutrekker til å fjerne brennerpinnedekselet, og fjern deretter brenneren fra ildboksen som vist nedenfor.



Trinn 2. Sett brenneren på dysen og fest brennerpinnedekselet på brenneren som vist nedenfor og sørg for at brennerhullet peker mot dysen.



Trinn 3. Fest hovedbrenneren til bakveggen i ildboksen med en «R»-pin. Installer deretter brennerpinnen med en skrutrekker.



FEILSØKING

ADVARSEL OM EDDERKOPPER OG INSEKTER

Kontroll og rengjøring av brenner-/ materialrør for insekter og insektboliger. En tilstoppet slange kan føre til brann under grillen. Selv om et blokkert brennerrør ikke er den eneste årsaken til flashback, er det den vanligste.

For å redusere risikoen for flashback må brennerrørene rengjøres før man monterer grillen samt minst én gang i måneden om sensommeren eller i løpet av den tidlige våren, da edderkopper er mest aktive. Utfør også denne rengjøringen av brennerrør dersom grillen har stått ubrukt over lengre tid.

NÅR SKAL DU SE OPP FOR EDDERKOPPER? Du bør inspisere brennerne minst én gang i året eller umiddelbart etter at noen av følgende situasjoner oppstår:

- Gasslukket i forbindelse med at flammene på brenneren er gule.
- Grillen når ikke den ønskede temperaturen.
- Grillen varmes opp ujevnt.
- Brennerne avgir smellende lyder.

FØR DU RINGER TIL KUNDETJENESTEN

Hvis grillen ikke fungerer som den skal, se feilsøkingsdelen nedenfor før du kontakter din forhandler. Du kan muligens spare utgiftene til en servicesamtale.

FORVARMING: Grillens lokk skal være lukket under forvarming. Det er nødvendig å forvarme grillen før du tilbereder visse matvarer, avhengig av matvaretypen og tilberedningstemperaturen. Mat som krever høy temperatur, trenger fem minutters forvarming, mens mat som krever lavere temperatur, bare trenger to til tre minutters oppvarming.

TILBEREDNINGSTEMPERATURER

Høy innstilling: Bruk denne innstillingen for rask oppvarming, for å steke biffer og koteletter, og til grilling.

Lav innstilling: Bruk denne innstillingen til all steking, baking og når du lager mat med svært magre råvarer som fisk.

Disse temperaturene varierer avhengig av utetemperaturen og vindhastigheten.

Tilberedning med indirekte varme: Du kan tilberede fjærfe og andre større kjøttstykker langsomt og til perfektjon på den ene siden av grillen gjennom indirekte varme fra brenneren på den andre siden. Varme fra den tente brenneren sirkulerer varsomt i hele grillen og tilbereder kjøttet eller fjærfeet, uten at noen direkte flamme kommer i berøring med det. Metoden reduserer i høy grad selvantennelse ved tilberedning av ekstra fett kjøtt, ettersom ingen indirekte flammer kommer i kontakt med fett og kjøttssaft som drypper ned i forbindelse med tilberedning.

⚠ FORSIKTIG

Hvis brennerne går ut under drift, må gassforsyningen kobles fra ved kilden. Koble fra alle gassventiler. Åpne lokket og vent i 5 minutter før du prøver på å tenne opp igjen (på den måten fjernes akkumulert gassdamp).

⚠ FORSIKTIG

Hvis det oppstår fettbrann, må gassforsyningen kobles fra. Steng av alle brennere og la lokket være på til ilden er slukket.

⚠ FORSIKTIG

IKKE forsøk å koble fra noen gasskobling mens grillen er i bruk. Som med alle apparater holder passende pleie og vedlikehold enheten i topp stand og forlenger levetiden. Gassgrillen din er intet unntak.

⚠ FORSIKTIG

IKKE bruk stekesidebrenneren med lokket lukket. Hvis grillen har et lokk til sidebrenneren, kan dette bli ekstremt varmt og utgjøre en fare for forbrenning når det brukes lukket. Hold alltid lokket åpent mens brenneren er i bruk.

FEILSØKING

SLIK NULLSTILLER DU SIKKERHETSENHETEN PÅ TRYKKREGULATOREN

Trykkregulatoren har en sikkerhetsfunksjon som begrenser gassmengden hvis det oppdages en lekkasje. Noen ganger kan denne funksjonen aktiveres selv om det ikke er noen lekkasje.

Slik nullstiller du den:

1. Skru av alle brennerknappene og steng ventilen på propantanken.
2. Koble regulatoren fra LP-gassflasken.
3. Åpne lokket på grillen.
4. Vri alle bryterne til høy, til posisjonen ved klokka 9, og vent i ett minutt.
5. Etter et minutt, steng av alle brennerne.
6. Koble regulatoren til LP-gassflasken igjen.
7. Åpne LPG-flaskeventilen langsomt og helt opp.
8. Tenn brennerne og sjekk om grillen varmes opp som normalt.

PROBLEM	LØSNING
Når jeg forsøker på å tenne opp grillen, tennes den ikke med det samme.	<ul style="list-style-type: none"> • Når du tenner grillen, sørg for at du ser en gnist ved bunnen av brennerne. Hvis du ikke ser en gnist, sjekk at batteriet er korrekt installert og plassert i tenningsystemet. • Kontroller at ledningen er tilkoblet elektrodedelen. • Rengjør ledningene og/eller elektroden med sprit og en ren bomullspinne. Tørk av med en ren klut. • Kontroller om det er andre brennere i drift. Sjekk om gassåpningen på den defekte brenneren er blokkert.
Regulatoren lager støy.	<ul style="list-style-type: none"> • Ventilasjonsslangen på regulatoren kan være tilstoppet, eller regulatoren kan ha en feil. Sørg for at ventilasjonshullet på regulatoren ikke er blokkert. Rydd hullene, og steng gasskontrollventilene. Vent i 10 minutter før du starter på nytt. • Kontroller at flammene brenner korrekt. Flammene skal være blå med gule tupper. Hvis flammene ikke ser normale ut, se instruksjonene for å tilbake stille regulatoren nedenfor.
Dekselet i full størrelse passer ikke til grillen.	<ul style="list-style-type: none"> • Mål grillen før du kjøper et trekk. Husk å ta med full bredde (sidehyller og håndtak), høyde og dybde. • Hvis trekket føles trangt i starten, legg det i et varmt rom eller i sollys for å mykne det. Trekk det deretter over grillen, start fra den ene siden og dra det over.
Grillen varmes kun opp til 93-149 °C / 200-300 °F.	<ul style="list-style-type: none"> • Kontroller om brennstoffslangen er bøyd eller knekt. • Sørg for at grillen er fri for støy. • Sørg for at brenneren og hullene er rene. • Undersøk om det finnes edderkopper og insekter. • Trykkregulatoren har en sikkerhetsfunksjon som begrenser gassmengden hvis det oppdages en lekkasje. Noen ganger kan denne funksjonen aktiveres selv om det ikke er noen lekkasje. For å få grillen til å virke igjen, se "Tilbake still regulatorens sikkerhetsfunksjon" ovenfor for trinnvise instruksjoner.
Det tar lang tid å forvarme grillen.	<ul style="list-style-type: none"> • Normal forvarming til 260–320 °C tar omtrent 10–15 min. Kaldt vær og vind kan påvirke forvarmingstiden.
Brennerens flammer er ikke lyseblå.	<ul style="list-style-type: none"> • For mye eller for lite luft til flammen. • Høyde er hovedårsaken, men kaldt vær kan likevel påvirke blandingen. Det kan være nødvendig å justere brenneren. • Du griller på et sted med mye vind. • Nullstill sikkerhetsenheden på trykkregulatoren. Se instruksjonene nedenfor.

BESTILLING AV DELER

SLIK BESTILLER DU RESERVEDELER

For å være sikker på at du får de riktige reservedelene til gassgrillen din, se reservedelslisten.

Ha all nødvendig informasjon klar når du bestiller. Vær oppmerksom på at kundene er ansvarlige for alle fraktkostnader i forbindelse med levering av reservedeler.

- Gassgrillens modellnummer (se datamerkingen på grillen).
- Delnummeret på den ønskede reservedelen.
- Beskrivelse av den ønskede reservedelen.
- Antall nødvendige deler.

For å bestille reservedeler, eller ring vår kundeservice på.

+49 5251 875 6174 | ServiceDE@nexgrill.de (DE)

+49 60 20 60 71 | ServiceDK@nexgrill.com (DK)

⚠ VIKTIG

Bruk alltid kun deler som er autorisert av fabrikken. Bruk av ikke-autoriserte deler kan være farlig og vil ugyldiggjøre garantien din. Oppbevar denne monterings- og bruksanvisningen for enkel referanse og for å hjelpe ved bestilling av reservedeler.

BEGRENSET GARANTI

Produsenten garanterer kun for den opprinnelige forbrukeren-kjøperen at dette produktet (modell #720-0925PS) vil være fritt for feil i utførelse og materialer ved korrekt montering og under normal, rimelig hjemmebruk i periodene angitt nedenfor, med start fra kjøpsdatoen. Produsenten forbeholder seg retten til å kreve fotografisk bevis på skade, eller at defekte deler returneres, porto og/eller frakt forhåndsbetalt av forbrukeren, for vurdering og undersøkelse. Megamasters ansvar er begrenset til reparasjon, bytte eller redusert verdi, etter Megamasters valg.

- **RØRBRENNERE:** 5 års BEGRENSET garanti mot perforering.
- **TILBEREDNINGSRISTER og FLAMMETEMMERE:** 1 år BEGRENSET garanti; dekker ikke fall, hakk, riper eller overflateskader.
- **DELER I RUSTFRITT STÅL:** 1 års BEGRENSET garanti mot perforering; dekker ikke kosmetiske feil som korrosjon, riper og overflaterust.
- **ALLE ANDRE DELER:** 1 års BEGRENSET garanti (inkluderer, men er ikke begrenset til, ventiler, ramme, hus, tralle, kontrollpanel, tenner, regulator, slanger). *Dekker ikke flassing, riper, sprekkdannelse, overflatekorrosjon, riper eller rust.

Når forbrukeren fremlegger bevis på kjøp som omtalt her, vil produsenten reparere eller skifte ut de delene som har vist seg å være defekte, i løpet av den gjeldende garantiperioden. Deler som returneres for en slik reparasjon eller utskiftning, fremskaffes kostnadsfritt, bortsett fra forsendelseskostnader, så lenge kjøperen besitter varen innenfor garantiperioden regnet fra den opprinnelige kjøpsdatoen. Den opprinnelige kjøperen må selv betale alle forsendelseskostnader for deler som skiftes ut i overensstemmelse med betingelsene i denne begrensede garantien. Denne begrensede garantien gjelder kun i USA og Canada, er kun tilgjengelig for den opprinnelige eieren av produktet, og kan ikke overføres. Produsenten krever rimelig dokumentasjon for kjøpsdatoen. Av samme grunn bør du ta vare på salgskvitteringen og/eller fakturaen. Hvis enheten er en gave, må du be giveren om å sende kvitteringen på dine vegne til adresse nedenfor. Defekte eller manglende deler som dekkes av denne garantien, vil ikke bli skiftet ut uten registrering eller bevis på kjøp. Den begrensede garantien gjelder KUN for produktets funksjonalitet og dekker ikke kosmetiske problemer som riper, bulker, korrosjon eller avfarging fra varme, slipende og kjemiske rengjøringsmidler eller verktøy som brukes i forbindelse med montering eller installasjon av apparatet, overflaterust eller avfarging av overflater i rustfritt stål. Overflaterust, korrosjon eller avskallinger i pulverlakkering på metalleder som ikke påvirker den strukturelle integriteten til produktet, betraktes ikke som defekter i materialer eller forarbeidelse og dekkes ikke av garantien. Denne begrensede garantien dekker ikke kostnader for uleilighet, matvarer, skader på personer eller eiendom. Hvis den originale delen ikke er tilgjengelig, sendes det en sammenlignbar utskiftningsdel. Du må selv betale forsendelseskostnader for deler som skiftes ut i overensstemmelse med betingelsene i denne begrensede garantien.

PRODUSENTEN VIL IKKE BETALE FOR:

- Servicebesøk hjemme hos deg.
- Reparasjoner når produktet ditt brukes til andre formål enn alminnelig bruk i en privat husstand.
- Skader som oppstår fra ulykker, endring, misbruk, manglende vedlikehold/rengjøring, misbruk, brann, oversvømmelse, force majeure, ukorrekt installasjon og installasjon som ikke er i overensstemmelse med forskrifter for elektrisitet og VVS-arbeid eller misbruk av produktet.
- Alle matvarer som går tapt pga. produktfeil.
- Reservedeler eller reparasjonskostnader for enheter som brukes utenfor USA eller Canada.
- Henting og levering av produktet.
- Portokostnader eller fotobehandlingsutgifter for bilder som avsendes som dokumentasjon.
- Reparasjoner av deler eller systemer som er et resultat av uautoriserte modifikasjoner på produktet.
- Demontering/installasjon av produktet.
- Forsendelseskostnader, standardkostnader eller hastekostnader for utskiftningsdeler som er eller ikke er omfattet av garantien.

GARANTIFRASKRIVELSE, RETTSMIDDELBEGRENSNING:

Reparasjon eller utskifting av defekte deler er din eneste løsning under denne begrensede garantien. Produsenten er ikke ansvarlig for ev. følgeskader eller hendelige skader som følge av brudd på enten denne begrensede garantien eller enhver underforstått garanti eller for feil eller skade som følge av force majeure, ukorrekt pleie og vedlikehold, fettbrann, ulykke, endring, utskifting av deler med andre enn produsentens deler, misbruk, transport, kommersiell bruk, feilaktig bruk, tøffe miljøer (uvær, naturforhold, dyr som klusser med produktet), ukorrekt installasjon eller installasjon som ikke er i overensstemmelse med lokale forskrifter eller trykte produsentinstruksjoner.

DEN BEGRENSEDE GARANTIE ER DEN ENESTE GARANTIE SOM STILLES AV PRODUSENTEN. INGEN SPESIFIKASJONER ELLER BESKRIVELSER AV PRODUKTETS YTELSE NOE STED GARANTERES FOR AV PRODUSENTEN BORTSETT FRA I DET OMFANG SOM FREMGÅR AV DENNE BEGRENSEDE GARANTIE. ALL UNDERFORSTÅTT GARANTIBESKYTTELSE SOM GJELDER IHT. LOVGIVNING I NOEN STAT, INKLUDERT UNDERFORSTÅTT GARANTI FOR SALGBARHET ELLER EGNETHET TIL ET BESTEMT FORMÅL ELLER EN BESTEMT BRUK, BEGRENSES HERVED I VARIGHET TIL DEN VARIGHETEN SOM FREMGÅR AV DENNE BEGRENSEDE GARANTIE.

Hverken forhandlere eller detaljforretninger som selger dette produktet, har rett til å stille ytterligere garantier eller løfter om avhjelping som supplerer eller står i motsetning til de tiltakene som fremgår ovenfor. Produsentens maksimale ansvar kan under ingen omstendigheter overskride den dokumenterte kjøpsprisen for det produktet som ble betalt av den opprinnelige forbrukeren. Denne garantien gjelder kun for enheter som kjøpes av en autorisert forhandler eller videreforhandler. MERK: Enkelte stater tillater ikke utelukkelse eller begrensning av hendelige eller følgemessige skader, så visse av ovenstående begrensninger eller utelukkelse gjelder muligens ikke for ditt vedkommende. Denne begrensede garantien gir deg spesielle juridiske rettigheter som fremgår av dette. Du kan også ha andre rettigheter som varierer fra sted til sted.

Hvis du ønsker at opnå opfyldelse af en forpligtelse under denne begrænsede garanti, skal du skrive til:

Martinsen Nordic A/S
Ekspertvej 7 - 8870 Langå
Danmark - CVR 27771025

Spørgsmål?

+49 5251 875 6174 | ServiceDE@nexgrill.de (DE)
+49 60 20 60 71 | ServiceDK@nexgrill.com (DK)

TURVAOHJEET

⚠ VAARA

- Jos haistat kaasua:
- Sammuta laitteen kaasu.
- Sammuta kaikki avotuli.
- Avaa kansi.
- Jos haju jatkuu, pysy poissa laitteesta ja soita välittömästi kaasuntoimittajillesi tai palokunnalle.

⚠ VAROITUS

- Älä säilytä tai käytä bensiiniä tai muita syttyviä nesteitä tai höyryjä tämän tai minkään muun laitteen läheisyydessä.
- Nestekaasusylinteriä, jota ei ole liitetty käyttöön, ei saa säilyttää tämän tai minkään muun laitteen läheisyydessä.

⚠ VAROITUS

Tulipalon, sähköiskun, henkilövahinkojen tai materiaalivahinkojen riskin vähentämiseksi ulkona käytettävässä kaasulaitteessa noudata perusvaroitointia, mukaan lukien seuraavat:

- Käytettävä vain ulkona.
- Lue ohjeet ennen laitteen käyttöä.
- VAROITUS: Käytettävissä olevat osat voivat olla hyvin kuumia. Pidä pienet lapset poissa.
- Älä siirrä laitetta käytön aikana.
- Jos laite on säilytyksessä sisätiloissa, kaasusylinteri on irrotettava ja poistettava laitteesta.
- Tarkista ja puhdista polttimen/venturi-putket hyönteisistä ja niiden pesistä.

NESTEKAASUN SYLINTERIN SYÖTTÖJÄRJESTELMÄ

- Kaasusylinterit on säilytettävä ulkona hyvin tuuletetussa paikassa lasten ulottumattomissa.
- Kaasusylinteriä ei saa säilyttää rakennuksessa, autotallissa tai muussa suljetussa tilassa.
- Kaasusylinterin syöttöjärjestelmä on järjestettävä höyrynpoistoa varten.
- Kaasusylinterissä on oltava kaulus, joka suojaaa venttiiliä.
- Älä koskaan kytke säätelemätöntä kaasusylinteriä kaasugrilliisi.
- Käytä vain grillin mukana toimitettua paineensäädin- ja letkusarjaa. Korvaavien paineensäätimien ja letkusarjojen tulee täyttää EN 16129:2013 - standardin ja kansallisten säädösten vaatimukset.
- Käytettävän joustavan letkun pituus saa olla enintään 1,50 metriä, ja sen tulee täyttää EN 16436-1:2014+A3:2020-standardi.
- Tämä grilli on sovitettu nestekaasulle. Älä käytä maakaasua.
- Tarkasta kaasusylinterin syöttöletku ennen jokaista käyttöä. Jos letku on kulunut voimakkaasti tai siinä on leikkaus, se on vaihdettava ennen laitteen käyttöä.
- Jos vuoto löytyy, sulje kaasusylinterin venttiili, irrota polttoainelinja grillistä, äläkä käytä grilliä.
- Ota yhteys jälleenmyyjäsi ja käytä vain ulkokäyttöön tarkoitettuun laitteeseen soveltuvia varailetkuja.
- Saatavilla on mallikohtainen paineensäädin- ja letkusarja ulkokäyttöön tarkoitettulta jälleenmyyjältäsi.
- Tarkista aina liitokset vuotojen varalta, kun kytket tai irrotat kaasusäiliön. Katso "Kaasuliitäntävaatimukset"-kohta.
- On suositeltavaa vaihtaa joustava letku olosuhteiden vaatiessa.
- Varmista, ettei kaasuletku pääse kiertymään.

TURVALLISUUSKÄYTÄNNÖT HENKILÖVAHINKOJEN VÄLTTÄMISEKSI

- Laitetta käytettäessä on pidettävä etäisyyttä palavista materiaaleista.
- Pidä ulkokäyttöisen kaasulaitteen ympäristö vapaana palavista materiaaleista, bensiinistä sekä muista syttyvistä höyryistä ja nesteistä.
- Älä estä palamisilman ja ilmanvaihdon virtausta. Pidä säilytystilan ilmanvaihtoaukot vapaina roskista.
- Älä sijoita ulkokäyttöistä kaasulaitetta suojaamattoman, yläpuolella olevan palavien rakenteiden alle.
- Tämä ulkokäyttöinen kaasulaite tulee sijoittaa vain ulos, eikä sitä saa käyttää rakennuksessa, autotallissa tai muussa suljetussa tilassa.

TURVAHJEET

Jos seuraavia ohjeita ei noudateta tarkasti, voi syttyä tulipalo, joka voi johtaa kuolemaan tai vakavaan loukkaantumiseen.

- Älä säilytä varakaasupulloa ulkokäyttöisen kaasulaitteen alla tai sen läheisyydessä.
- Älä koskaan täytä kaasusylinteriä yli 80 prosentin kapasiteetin.
- Kun vaihdat kaasusylinteriä, pysy kaukana kaikista sytytyslähteistä.
- Puhdista grilli jokaisen käytön jälkeen, jotta vältät rasvan kerääntymisen ja vähennät tulipaloriskiä.
- Laite kuumenee käytön aikana ja on kuuma vielä hetken käytön jälkeen. Käytä lämpöeristettyjä uunikintaita tai käsineitä suojautuaksesi kuumilta pinnoilta ja ruoanlaittonesteiden roiskeilta.
- Käyttäjän ei tule muuttaa valmistajan sinetöimiä osia.
- Älä muokkaa laitetta. Laitteen muokkaaminen voi olla vaarallista.
- Sulje kaasun syöttö kaasusäiliöstä käytön jälkeen.
- Kun ulkokäyttöön tarkoitettu kaasulaite ei ole käytössä, sulje kaasu syöttösylinteristä.
- Älä asenna siirrettäviä tai kiinteitä ulkokäyttöön tarkoitettuja kaasulaitteita matkailuautoon, perävaunuun, veneeseen tai muuhun liikkuvaan asennukseen.
- Pidä aina vähimmäisetäisyydet palavista rakenteista, katso kohta "Sijaintivaatimukset" sivulla 4.
- Pidä sähkönsyöttöjohto ja polttoaineletku poissa kuumilta pinnoilta.
- Säilytä laitetta kuivassa ja viileässä paikassa, kun sitä ei käytetä pidemmän aikaa.

VAROITUS

Älä yritä sytyttää tätä laitetta ennen kuin olet lukenut tämän oppaan kohdan "SYTYTYSOHJEET".

TESTATTU ULKOKÄYTTÖÖN TARKOITETTUA KAASULAITTEITA KOSKEVIEN EN 498 JA EN 484 -STANDARDIEN MUKAISESTI. TÄMÄ GRILLI ON TARKOITETTU VAIN ULKOKÄYTTÖÖN.

HUOMIO: Kaasun normaali virtaus säädin- ja letkuyhdistelmän kautta voi aiheuttaa surinaa. Pieni melu on täysin normaali eikä se häiritse grillin toimintaa. Jos surina on voimakasta ja häiritsevää, saatat joutua poistamaan ilmaa kaasulinjasta tai nollaamaan säätimen liian kaasunvirtauslaitteen. Tämä ilmaustoimenpide on tehtävä aina, kun uusi nestekaasupullo liitetään grilliin.

- Sivupolttimella käytettävän kattilan halkaisijan tulee olla 18–22 cm (7–8,6 tuumaa).
- Älä aseta painavia esineitä sivupöydälle. Maksimipaino on 5 kg (11 paunaa).

SIJAINIVAATIMUKSET

Valitse paikka, joka on suojassa tuulelta ja kulkureiteiltä. Paikan tulee olla myös kaukana voimakkaasta vedosta. Älä estä palamisilman ja ilmanvaihtoilman virtausta.

Syttyvien rakenteiden suojaetäisyys grilliltä:

- Vähintään 1 metrin etäisyys on säilytettävä grillikuvun etuosan, sivujen ja takapuolen sekä palavien rakenteiden

välillä.

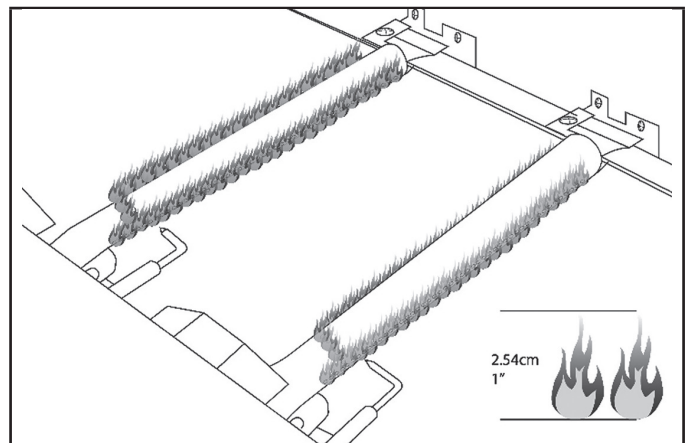
- Myös ruoanlaittopinnan alapuolella on pidettävä vähintään 1 metrin turvaetäisyys, eikä grilliä saa käyttää palavien rakenteiden alla.
- Pidä 3 metrin etäisyys esineistä, jotka voivat syttyä tuleen tai sytytyslähteistä, kuten vedenlämmittimien pilottivalot tai sähkölaitteet.

VAROITUS: VARO TAKALIEKKIÄ

VAROITUS: Hämähäkit ja pienet hyönteiset saattavat silloin tällöin kutoa verkkoja tai rakentaa pesiä grillin polttoputkiin kuljetuksen ja varastoinnin aikana. Nämä verkot voivat estää kaasun virtauksen, mikä voi johtaa tulipaloon polttimen ympärillä. Tämä palotyyppi tunnetaan nimellä "TAKAPALAMINEN" ja se voi aiheuttaa vakavia vahinkoja grillillesi sekä luoda käyttäjälle vaarallisen käyttötilan.

Vaikka tukkeutunut polttorööri ei ole ainoa syy "TAKASYPÄHDYKSELLE", se on yleisin syy.

Vähentääksesi takapalamisriskin mahdollisuutta sinun tulee puhdistaa polttimen putket ennen grillin kokoamista ja vähintään kerran kuukaudessa loppukesästä tai alkusyksystä, jolloin hämähäkit ovat aktiivisimmillaan. Tee tämä polttoputkien puhdistus myös, jos grilliä ei ole käytetty pitkään aikaan. Tukkeutunut putki voi johtaa tulipaloon grillin alla.



TARKISTA JA SÄÄDÄ POLTTIMET

Polttimet on testattu ja säädetty tehtaalla optimaaliseen toimintaan. Kaasun saannissa ja muissa olosuhteissa voi kuitenkin esiintyä vaihteluja, jotka saattavat vaatia pieniä ilmanottoaukkojen tai pienimmän liekin säädön korjauksia.

- Tarkista polttimien liekit visuaalisesti. Liekkien tulee olla sinisiä. Hieman kellertävä liekin kärki on normaalia propanikaasulle. Liekkien korkeuden tulisi olla noin 2,5 cm (1 tuuma).
- Grillin polttimien liekkien tarkistus ja säätö edellyttää ritilöiden ja liekinvaimentimien poistamista.
- Polttimien säädöt tulisi teettää pätevällä henkilöllä.

Tarkista, etteivät polttimet ole tukossa liian, roskien tai hyönteisten pesien vuoksi, ja puhdista tarvittaessa. Jos polttimet ovat puhtaat, säädä ilmanottoaukkoja tarpeen mukaan.

EUROPEAN GAS PRESSURES AND SPECIFICATIONS

Manufacturer	Global Leisure Group Deutschland GmbH Karl-Schurz Strasse 25, 33100 Paderborn, Deutschland				
Malli	720-0830XR / 720-0830XY				
Laiteluokitus	I3+(28-30/37)	I3B/P(30)	I3B/P(37)	I3B/P(50)	
Kaasutyyppe	Butaani	Propani	Butaani, propaani tai niiden seos		
Kaasupaine (mbar)	28-30	37	28-30	37	50
Pääpolttimen koko (Ø mm)	0.85/1.02		0.85/1.02	0.81/0.94	0.76/0.84
Nimellisteho (Hs) (kW)	Total: 13.19				
Kaasun kulutus (g/h) (yhteensä)	Butaani - yhteensä: 1012				
	Propani - yhteensä: 933				

HUOMIO:

- Käytä 30 mbar:n säätöventtiiliä ja siihen sopivaa suutinkokoa butaanille ja propaanille luokassa I3B/P(30).
- Käytä 30 mbar:n säätöventtiiliä ja siihen sopivaa suutinkokoa butaanille luokassa I3+(28-30/37).
- Käytä 37 mbar:n säätöventtiiliä ja siihen sopivaa suutinkokoa propaanille luokassa I3+(28-30/37).
- Käytä 50 mbar:n säätöventtiiliä ja siihen sopivaa suutinkokoa butaani/propaanille luokassa I3B/P(50).

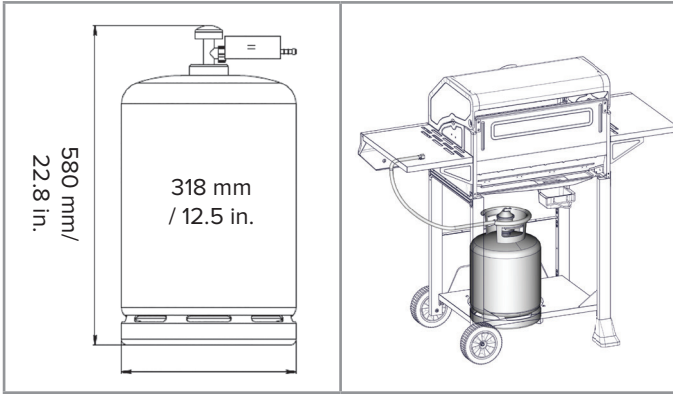
Suuttimen merkinnästä näkee sen koon. Esimerkiksi 0,90 tarkoittaa, että suuttimen koko on 0,90 mm.

Maa	Kaasutyyppe	Paine
BE, CH, CY, CZ, ES, FR, GB, GR, IE, IT, LT, LU, LV, PT, SI, SK, TR	I3+	28-30/37 mbar
BE, BG, CY, CZ, DK, EE, FI, FR, GB, HR, HU, IS, IT, LT, LU, LV, MT, NL, NO, RO, SE, SI, SK	I3B/P	28-30 mbar
PL	I3B/P	37 mbar
AT, CH, DE, SK, LU	I3B/P	50 mbar
*Country codes are in accordance with EN ISO 3166-1:2006.		

KAASULIITÄNNÄN VAATIMUKSET

NESTEYTETYN PETROLIPOLTTOKAASUN SYLINTERI

Käytä vain kaasusylintereitä, joiden kapasiteetti on vähintään 5 kg (11 lb) ja enintään 15 kg (33 lb). Suurin käytettävä sylinterikoko on noin 318 mm (12,5 tuumaa) halkaisijaltaan ja 580 mm (22,8 tuumaa) korkeus. Kaasupaineensäädin ja letkusarja toimitetaan mukana.



NESTEYTETYN PETROLIPOLTTOKAASUN SYLINTERIVAATIMUS

Kolhiintunut tai ruostunut kaasusylinteri voi olla vaarallinen, ja se tulisi tarkastuttaa nesteytetyn maakaasun toimittajalla. Älä koskaan käytä kaasusylinteriä, jonka venttiili on vahingoittunut. Aseta pölysuojakorkki sylinterin venttiiliin ulostuloon aina, kun kaasusylinteri ei ole käytössä. Käytä vain kaasusylinterin venttiiliin kuuluvaa pölysuojakorkkia. Muiden korkki- tai tulppatyypin käyttö voi aiheuttaa kaasuvuotoja.

NESTEYTETYN PETROLIPOLTTOKAASUN KYTKENTÄ

Varmista, että kaasusäiliön venttiiliin mustat muoviset tiivistysrenkaat ovat paikallaan ja että letku ei kosketa rasva-astiaa tai grillin terää.

LIITÄNTÄ

⚠ TÄRKEÄÄ

- Kaasupolttoainesäiliö on ostettava erikseen.
- Grillin mukana toimitettua kaasupaineensäädin-letkuyhdistelmää on käytettävä.
- Mallillesi sopiva uuden kaasupaineensäätimen ja letkun setti on saatavilla ulko-grillisi jälleenmyyjältä.

KAASUPOLTTOAINESÄILIÖN LIITTÄMINEN:

- Varmista, että kaasupolttoainesäiliön sulkuventtiili on asennossa "OFF". Jos ei, kierrä venttiiliä myötäpäivään, kunnes se pysähtyy.
- Tarkista, että polttimien säätönupit ovat asennossa "OFF".
- Poista kaikki roskat ja tarkasta venttiiliyhteet, aukot sekä kaasupaineensäädin-letkuyhdistelmä vaurioiden varalta. Älä koskaan yritä käyttää vaurioitunutta tai tukkeutunutta laitetta. Ota yhteyttä paikalliseen propaanikaasun myyjään korjausta varten.

HUOMIO: Pidä kaasupullo aina pystyasennossa (90°) höyryjen irtoamisen varmistamiseksi.

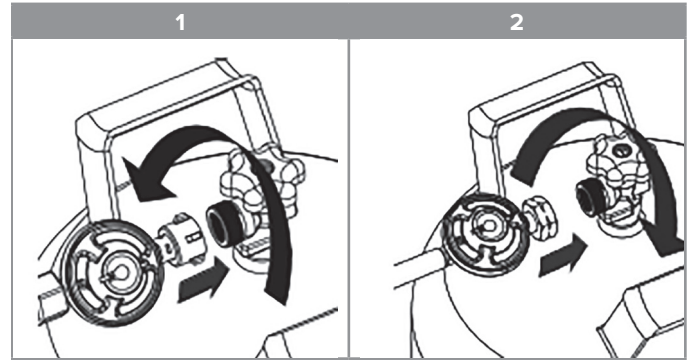
Jotkut säätöventtiilit kytketään painamalla ON-tilaan ja irrotetaan vetämällä OFF-tilasta, kun taas toisten kytkentä sylinteriventtiiliin tapahtuu joko vasenkätisellä tai oikeakätisellä kierteellä. TUNNISTA SÄÄDINTYYPPI JA NOUDATA KYSEISELLE SÄÄTIMELLE ANNETTUJA LIITÄNTÄOHJEITA.

1. Kytke kiertämällä myötäpäivään.

Kierrä säädin kaasupullon venttiiliin, käännä mutteria myötäpäivään.

2. Kytke kiertämällä vastapäivään.

Kierrä säädin kaasupullon venttiiliin, käännä mutteria vastapäivään.



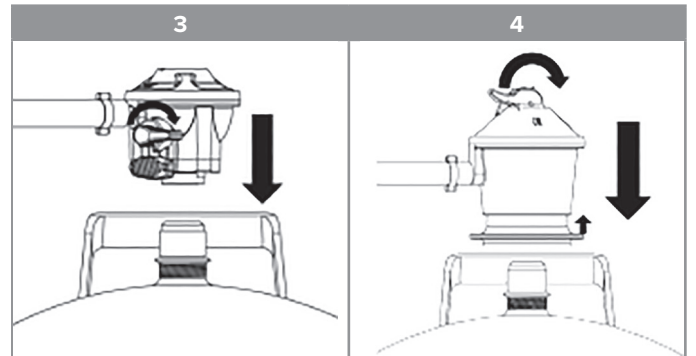
3. Kytke kääntämällä vivusta tai napsauttamalla paikalleen.

Käännä säätövipu myötäpäivään pois päältä -asentoon. Paina säädintä alaspäin kaasusäiliön venttiiliin, kunnes kuulet napsahduksen. Varmista, että säädin on täysin kiinnittynyt vetämällä kevyesti ylöspäin. Jos säädin irtoaa, toista toimenpide.

4. liu'uttamalla kaulus paikoilleen.

Varmista, että säädinvipu on "POIS PÄÄLTÄ" -asennossa. Liikuta säätimen lukitusrengasta ylös. Työnnä säädin lujasti sylinterin venttiiliin ja pidä sitä alaspäin painettuna. Laske lukitusrengas alas, jotta säädin lukittuu sylinterin venttiiliin. Tarkista, että säädin on tukevasti kiinni. Jos säädin irtoaa, toista toimenpide.

Huomio: Jos grillissäsi ei ole letkua ja säädinlaitetta, katso tarvittava säädinpaine ja suuttimen koko "Euroopan kaasupaineet ja -määritelmät" -taulukosta.



KAASULIITÄNNÄN VAATIMUKSET

Varmista, että kaasusylinterin venttiilin liitäntälaite sopii hyvin paineensäätimen sisäänmenoliitäntään.

5. Avaa kaasun syöttö lähteestä noudattaen kyseisen säädinmallin ohjeita.

- **Kierresäädin:** Käännä kaasusylinterin venttiilin kahvaa vastapäivään.
- **Kiinnityssäädin:** Siirrä säädinvipu päälle.

6. Ennen grillin sytyttämistä testaa kaikki liitännät harjaamalla hyväksytyllä korroosiottomalla vuodontunnistusliuoksella. Kuplien ilmaantuminen osoittaa vuodon.

7. Jos havaitset vuodon, sulje sylinterin venttiili ja älä käytä grilliä. Ota yhteys pätevään kaasuteknikkoon, jotta korjaus voidaan tehdä.

8. Käy kohtaan "Tarkista ja säädä polttimet".

KAASUPOLTTOAINESÄILIÖN IRROITTAMINEN

1. Varmista, että polttimen säätönupit ovat asennossa "OFF" ja grilli on jäähtynyt.
2. Varmista, että kaasusylinteri on "SULJETTU"-asennossa. Jos ei, kierrä venttiiliä myötäpäivään, kunnes se pysähtyy.
3. Tunnista säädinlaitteen tyyppi. Katkaise kaasun syöttö

lähteestä ja irrota säädin kaasupullostta noudattamalla kyseistä säädintä koskevia ohjeita.

- **Irrota kiertämällä vastapäivään:** Kierrä sylinterin venttiilin kahvaa myötäpäivään. Ruuvaa säädin irti sylinteristä kiertämällä liitintä vastapäivään.
 - **Irrota kiertämällä myötäpäivään:** Kierrä kaasusylinterin venttiilin kahvaa myötäpäivään. Ruuvaa säädin irti sylinteristä kiertämällä liitintä myötäpäivään.
 - **Irrota kääntämällä vipua/napsauttamalla paikoilleen:** Siirrä säädinvipu "OFF"-asentoon. Työnnä säädinvipua sisään, kunnes se irtoaa sylinteristä.
 - **Irrota liukukurkulla:** Siirrä säädinvipu "OFF"-asentoon. Vedä irrotusrengasta ylöspäin irrottaaksesi säätimen kaasupullon venttiilistä. Nosta säädin pois sylinterin venttiilistä.
4. Aseta pölykansi kaasusylinterin venttiilin ulostuloon aina, kun sylinteriä ei käytetä. Asenna vain venttiilin ulostuloon sylinterin mukana tullut pölykannen malli. Muut suojakannet tai tulpat voivat aiheuttaa nestekaasun vuotamisen.
 5. Anna grillirungon jäähtyä vähintään 30 minuuttia ennen kuin yrität siirtää tai kuljettaa sitä.

VUOTOTESTI

YLEISTÄ

Vaikka kaikki kaasuliitännät on testattu tehtaalla ennen lähettämistä, asennuspaikalla on tehtävä täydellinen kaasuvuodon tarkastus mahdollisten kuljetusvaurioiden tai laitteen piilevien ylipaineiden vuoksi. Tarkista koko järjestelmä säännöllisesti vuotojen varalta seuraamalla alla olevia ohjeita. Jos tunnet kaasun hajua milloin tahansa, tarkista heti koko järjestelmä vuotojen varalta.

ENNEN TESTAUSTA

Varmista, että kaikki grillin pakkausmateriaalit, mukaan lukien kiinnityshihnat, on poistettu.

ÄLÄ TUPAKOI VUOTOTESTIN AIKANA. ÄLÄ MISSÄÄN TAPAUKSESSA SUORITA VUOTOTESTIÄ AVOIMEN LIEKIN KANSSA.

Valmista saippuavesiseos, jossa on yksi osa nestemäistä pesuainetta ja yksi osa vettä. Tarvitset suihkepallon, harjan tai rievun, joilla levität liuoksen liitoksiin. Ensimmäisessä vuototestissä tarkista, että kaasupullo on noin 80 % täynnä.

TESTAUS

1. Varmista, että säädinventtiilit ovat asennossa "O" ja kytke kaasun syöttö päälle.
2. Tarkista kaikki liitännät L.P.-kaasun säätimeen ja syöttöventtiiliin, mukaan lukien liitos jakoputkistoon (putkeen, joka johtaa polttimiin). Saippuakuplia ilmestyy, jos vuotoja on.

3. Jos vuoto löytyy, sulje heti kaasuntoimitus ja kiristä vuotavat liitokset.
4. Avaa kaasu uudelleen ja tarkista uudelleen.
5. Jos kaasu jatkaa vuotamista mistä tahansa liitoksesta, sulje kaasuntoimitus ja ota yhteyttä asiakaspalveluun.

⚠ TARKISTA AINA VUODOT JOKAISEN KAASUPULLON VAIHDON JÄLKEEN

Tarkista kaasuntoimituksen kaikki liitännät vuotojen varalta ennen jokaista käyttökertaa. Kannattaa pitää suihkepullo saippuavettä lähellä kaasulinjan sulkuventtiiliä. Suihkuta kaikki liitokset. Kuplat osoittavat vuotoja.

Grillissä tulee käyttää vain valmistajan suosittelemia osia. Korvaavien osien käyttö mitätöi takuun. Älä käytä grilliä ennen kuin kaikki liitännät on tarkistettu eivätkä ne vuoda.

KAASUNVIRTAUKSEN TARKASTUS

Jokainen grillin poltin on testattu ja säädetty tehtaalla ennen toimitusta, mutta paikallisissa kaasuntoimituksissa voi esiintyä vaihtelua, jolloin polttimien säätö saattaa olla tarpeen. Polttimien liekit tulisi tarkistaa visuaalisesti. Liekkien tulee olla sinisiä ja vakaita, ilman keltaisia kärkiä, liiallista melua tai liekin nousemista. Jos jokin näistä ongelmista ilmenee, tarkista, ovatko ilmanottoaukko tai polttimen reiät tukkeutuneet liasta, roskista, hämähäkin seittejä yms. Jos sinulla on kysyttävää liekin vakaudesta, ota yhteyttä asiakaspalveluun.

ASENTAJAN LOPPUTARKASTUS

<input type="checkbox"/>	Minimietäisyys laitteen sivuista ja takaosasta palavasta materiaalista: 1 metri sivuilta ja 1 metri takaa.
<input type="checkbox"/>	Kaikki sisäiset pakkausmateriaalit on poistettu.
<input type="checkbox"/>	Nupit pyörivät vaivatta.
<input type="checkbox"/>	Polttimet ovat tiukasti paikallaan ja istuvat oikein suuttimissa.
<input type="checkbox"/>	Painesäädin on liitetty ja säädetty. Kaasuliitännät grilliin on tehty mukana tulevalla letku- ja säädinpaketilla.
<input type="checkbox"/>	Laite on testattu ja vuotoja ei ole.
<input type="checkbox"/>	Käyttäjälle on kerrottu kaasuntoimituksen sulkuventtiilin sijainti.

KÄYTTÄJÄ, PIDÄ TÄMÄ KÄYTTÖOHJE TALLESSA TULEVAA TARVETTA VARTEN

PROPAANISÄILIÖÄ KOSKEVAT VAROTOIMET

1. Älä säilytä vara-LPG-kaasupulloa tämän laitteen alla tai sen välittömässä läheisyydessä.
2. ÄLÄ KOSKAAN täytää pulloa yli 80 prosenttiin.

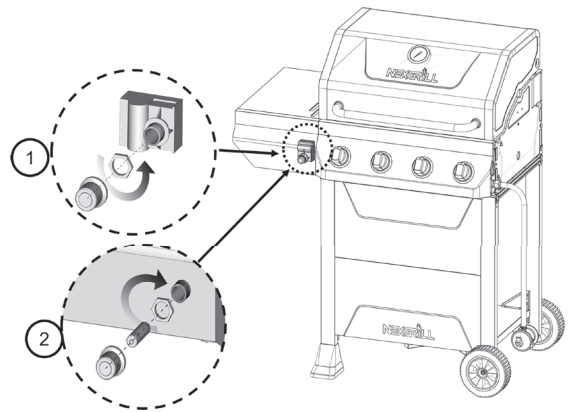
Huomaa: Jos kohtien "1" ja "2" ohjeita ei noudateta tarkasti, seurauksena voi olla tulipalo tai räjähdys, joka voi aiheuttaa kuoleman tai vakavan loukkaantumisen.

TÄRKEÄÄ TIETOA PARISTOISTA

Vähentääksesi riskiä altistaa paristo virheelliselle käsittelylle, noudata alla olevia pariston asennusohjeita.

- Ei-ladattavia paristoja ei saa ladata uudelleen.
- Älä sekoita eri tyyppisiä paristoja, kuten alkaliparistoja, hiili-sinkkiparistoja tai ladattavia paristoja.
- Älä sekoita uusia ja käytettyjä paristoja.
- Tyhjät paristot tulee poistaa tuotteesta.

1 DC 1,5 V type AA-batteri IKKE inkludert. Batteriet må settes inn med riktig polaritet som vist til høyre.



OHJAUSPANEELI

TÄRKEÄÄ: POISTA KAIKKI PAKKAUSMATERIAALIT, MUKAAN LUKIEN KIINNITYSREMMIT, ENNEN GRILLIN KÄYTTÖÖNOTTOA.



↑
Sähkösytytyspainike

↑
Pääpolttimet

KÄYTTÖOHJEET

⚠ VAROITUKSET JA HUOMAUTUKSET

- **ÄLÄ** käytä alumiinifoliota irrotettavan rasvavadin tai tulipesän peittämiseen.
- Tarkasta ennen jokaista grillikertaa liekinsuojat, rasvavahti ja tulipesä kertymien varalta. Poista ylimääräinen rasva vähentääksesi liekkien roihun riskiä.
- Ole varovainen rasvavadin käsittelyssä ja kuuman rasvan poiskaatamisessa, sillä voi aiheutua palovammoja tai roiskeita.
- Käytä aina kuumuutta kestäviä grillauskäsineitä tai -lapasia grillin käytön aikana.
- Pidä propaanisäiliön ilmanvaihtoaukot puhtaina ja estottomina.
- Varmista, että propaanisäiliöt on asennettu oikein tämän käyttöohjeen kaasuliitäntäohjeiden mukaan.
- Varmista, että letku on asianmukaisesti kiinnitetty letkun kiinnitysklipsillä. Jos et tee niin, letku saattaa vaurioitua ja aiheuttaa tulipalon tai räjähdysten, mikä voi johtaa vakaviin loukkaantumisiin tai kuolemaan sekä omaisuusvahinkoihin.
- Pidä kaikki sähköjohdot ja polttoaineletku turvallisen matkan päässä kuumista pinnoista sulamisen tai syttymisen estämiseksi.
- **VAARA** - Tarkista säännöllisesti grillin harjat kuluneiden harjasten tai vaurioiden varalta. Jos löydät irtonaisia harjaksia rutilältä tai harjasta, vaihda harja välittömästi. Suosittelemme aloittamaan jokaisen grillauskauten uudella grilliharjalla.

GRILLIN YLEINEN KÄYTTÖ

Jokaisen pääpolttimen teho on 4 kW. Päägrillin polttimet kattavat koko kypsennysalueen ja ovat sivusuunnattuja, vähentämään rasvan ja roskien tukkimisen riskiä. Nupit sijaitsevat ohjauspaneelin alaosan keskellä. Jokainen nuppi on merkitty ohjauspaneelissa.

Tämä grilli on suunniteltu tehokkaaseen käyttöön ilman laavakiviä tai minkäänlaisia brikettejä. Ruostumattomasta

teräksestä valmistetut liekinsuojat, jotka sijaitsevat jokaisen polttimen yläpuolella, säteilevät lämpöä.

Minimi ympäristön käyttölämpötila: 0 °F (-17,8 °C)

TARKASTA KAASUPULLON SYÖTTÖLETKU

Tarkasta kaasupaineensäädinletkuyhdistelmä ennen jokaista käyttökertaa.

1. Avaa vasemman puolen kaapin ovi.
2. Tarkasta kaasupaineensäädin/letkuyhdistelmä viiltojen, naarmujen tai liiallisen kulumisen varalta.
3. Tarvittaessa vaihda kaasupaineensäädin/letkuyhdistelmä ennen grillin käyttöä. Ota yhteyttä valmistajaan ja käytä vain grillille tarkoitettuja varaosaletkuja.

GRILLIN KÄYTTÖ

Grillaus vaatii korkeaa lämpöä pinnan sulkemiseksi ja kunnolliseksi ruskistamiseksi. Useimmat ruoat kypsennetään koko ajan korkealla lämmöllä. Kuitenkin, kun grillataan suuria lihapaloja tai siipikarjaa, saattaa olla tarpeen kääntää lämpö alemmalle ensimmäisen ruskistuksen jälkeen. Tämä kypsentää ruoan ilman, että sen pinta palaa. Pitkään kypsennettäville ruoille tai sokeripitoisella marinadilla kastelluille ruoille saatetaan tarvita alhaisempaa lämpötilaa kypsennyksen lopussa.

⚠ ÄLÄ JÄTÄ GRILLIÄ VALVOMATTA RUOANVALMISTUKSEN AIKANA.

HUOMIO: Kuuma grilli paistaa ruoan nopeasti sulkien mehut sisälle. Mitä perusteellisemmin grilli esilämmitetään, sitä nopeammin liha ruskistuu ja sitä tummemmat grilliraidat siihen muodostuu.

SYTYTYSOHJEET

⚠ VAROITUS: TÄRKEÄÄ!

ENNEN SYTYTTÄMISTÄ

Tarkasta kaasun syöttöletku ennen kaasun avaamista. Jos viiltoja, kulumia tai naarmuja löytyy, se on vaihdettava ennen käyttöä. Älä käytä grilliä, jos kaasun haju on havaittavissa. Käytä vain laitteen mukana tullutta paineensäädintä ja letkuyhdistelmää. Älä koskaan vaihda grilliin kuuluvia säätelijöitä ja letkusarjoja toisiin. Jos korvaaminen on tarpeen, ota yhteyttä valmistajaan saadaksesi oikean varaosan. Korvaavan osan on oltava juuri se, joka on mainittu käyttöohjeessa.

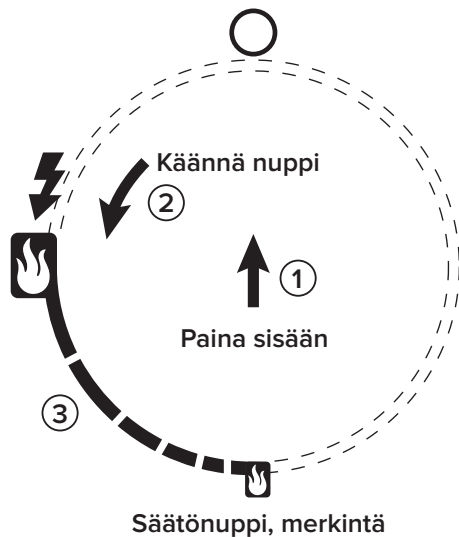
⚠ VAROITUS

Pidä aina kasvosi ja vartalosi mahdollisimman kaukana polttimesta sytytyksen aikana.

PÄÄPOLTTIMIEN SYTYTTÄMINEN

Varmista, että kaikki säätimet ovat pois päältä, ja avaa sitten kaasusyöttö LP-kaasupullosta (nestekaasu). Pidä aina kasvot ja vartalo mahdollisimman kaukana grillistä sytytyksen aikana.

Sytyttääksesi pääpolttimen työnä ja käännä pääpolttimen säätönappia asentoon "⚡", Paina samalla elektronista sytytyspainiketta ja pidä sitä painettuna polttimen sytyttämiseksi. Kun poltin on syttynyt, vapauta elektroninen sytytyspainike ja nappi. Jos poltin ei syty, odota 5 minuuttia, jotta ylimääräinen kaasu haihtuu, ja yritä uudelleen.



Pidä kaasusyöttöventtiilin lähellä suihkepulloa, jossa on saippuavettä, ja tarkista liitokset ennen jokaista käyttökertaa.

Älä yritä sytyttää grilliä, jos huomaat kaasun hajua. Ota yhteyttä asiakaspalveluun numeroihin 0800-051-8916 (GB), 0800-908-612 (FR), 800-7601 (IS) tai 900-974-968 (ES). Maanantaista torstaihin klo 7.30–17.00, perjantaina klo 7.30–14.00, GMT+2. Puhutut kielet: Englanti, ranska ja espanja. Voit myös ottaa meihin yhteyttä sähköpostitse osoitteessa: ServiceEU@grillservices.com.

Jokainen poltin säädetään ennen toimitusta; paikalliset kaasun syöttöolosuhteet voivat kuitenkin vaatia pieniä säätöjä.

⚠ VAROTOIMET

Aseta pölykorkki sylinteriventtiilin aukkoon, kun sylinteri ei ole käytössä. Asenna sylinteriventtiilin aukkoon vain sylinteriventtiilin mukana toimitettu pölykorkki. Muunlaisten korkkien tai tulppien käyttö voi aiheuttaa propaanivuotoa.

Kaasu on katkaistava syöttösylinteristä, kun laite ei ole käytössä.

Jos laite säilytetään sisätiloissa, sylinteri on irrotettava ja poistettava laitteesta. Sylinterit on säilytettävä ulkona hyvin ilmastoidussa paikassa lasten ulottumattomissa.

HUOLTO JA KUNNOSSAPITO

RUOSTUMATON TERÄS

Erlaisia ruostumattoman teräksen puhdistusaineita on runsaasti saatavilla. Käytä aina ensin hellävaraisinta puhdistusmenetelmää ja hankaa pintaa syyn suuntaisesti. Älä käytä teräsvillaa, koska se naarmuttaa pintaa. Korjataksesi näkyviä naarmuja ruostumattomassa teräksessä, hio kevyesti kuivalla 100 karkeuden hiekkapaperilla puun syyn suuntaisesti. Rasvapisararat voivat kerääntyä ruostumattoman teräksen pinnalle, palaa kiinni ja saada pinnan näyttämään ruostuneelta. Poista ne käyttämällä kevyttä hankaustyynyä ja ruostumattoman teräksen puhdistusainetta.

GRILLIRITILÄ

Grillin puhdistus on helpointa heti ruoanlaiton jälkeen ja liekin sammuttamisen jälkeen. Käytä grillikinnasta suojataksesi kätesi kuumuudelta ja höyryltä. Käytä kuumuutta kestäväää grillin puhdistustyökalua, joka on tarkoitettu kuumien pintojen puhdistamiseen. Levitä vettä tai muita puhdistusaineita suoraan grilliritilöihin tai grillin puhdistustyökaluun helpottaaksesi puhdistusta. Jos grilli jäähtyy ennen puhdistamista, puhdistus on vaikeampaa.

VARMISTA, ETTÄ KAASUNSYÖTTÖ JA NUPIT OVAT ASENNOSSA "O". VARMISTA, ETTÄ LIESITASON POLTIN ON KYLMÄ ENNEN SEN POISTAMISTA.

GRILLIN POLTTIMET

Polttimen siirrossa on oltava erityisen varovainen, sillä se on tarkasti keskittävä suuttimeen ennen grillin uudelleen sytyttämistä. Puhdistustiheys riippuu siitä, kuinka usein käytät grilliä.

PÄÄPOLTTIMEN PUHDISTUS

Varmista, että kaasun syöttö on katkaistu ja nupit ovat "O"-asennossa. Varmista, että grilli on jäähtynyt. Puhdista polttimen ulkopinta teräsharjalla. Poista pinttynyt kerrostuma metallilastalla. Poista tukkeutuneet aukot suoristellulla paperiliittimellä. Älä koskaan käytä puista hammastikkua, sillä se voi mennä poikki ja tukkia aukon. Olkaa hyvä ja ottakaa huomioon, jos hyönteiset tai muut esteet estävät kaasun virtauksen polttimen läpi. Tällöin pyydämme ystävällisesti ottamaan yhteyttä asiakaspalveluumme numeroon 1-800-913-8999.

RASVAKOURUN PUHDISTUS

Rasvasäiliö tulee tyhjentää ja pyyhkiä säännöllisesti sekä pestä miedolla pesuaineella ja lämpimällä vedellä. Pieni määrä hiekkaa voidaan laittaa rasvasäiliön pohjalle rasvan imeyttämiseksi. Tarkista rasvasäiliö säännöllisesti, älä anna rasvan kertyä liikaa eikä valua sen yli.

⚠ VAROITUS

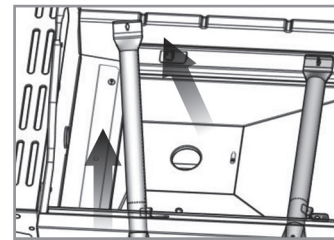
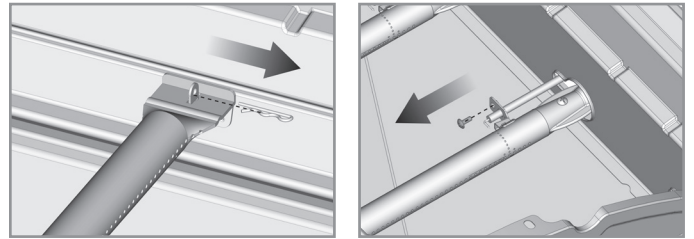
- Pidä ulkokäyttöinen kaasulieden alue vapaana palavista materiaaleista, bensiinistä sekä muista helposti syttyvistä höyryistä ja nesteistä.
- Älä estä palamis- tai ilmanvaihtoilman virtausta.
- Pidä kaasupullon kotelon ilmanvaihtoaukot vapaina roskista.

⚠ VAROITUS

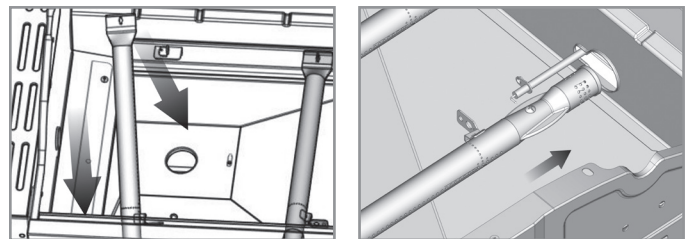
Jos haluat vaihtaa pääpolttimen, suosittelemme vahvasti, että palkkaat ammattitaitoisen teknikon tekemään vaihdon. Ymmärräthän, ettei väärin kootun polttimen aiheuttamista mahdollisista vastuuvahingoista, henkilövahingoista tai omaisuusvahingoista voida ottaa vastuuta.

KUINKA VAIHTAA PÄÄPOLTTIN

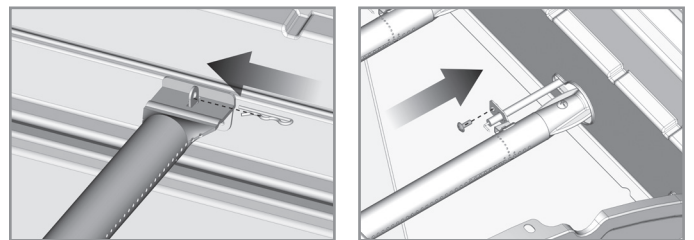
Vaihe 1. Poista pääpolttimen, "R"-tappi tulisijan takaseinästä neulapindeillä. Käytä talttapäistä ruuvimeisseliä poistaaksesi polttimen tapin suojuksen ja irrota sitten poltin tulisijasta alla olevan kuvan mukaisesti.



Vaihe 2. Aseta poltin aukolle ja kiinnitä polttimen nastakansi polttimeen alla olevan kuvan mukaisesti. Varmista, että polttimen reikä on suunnattu oikein aukkoa kohti.



Vaihe 3. Kiinnitä pääpolttin tulipesän takaseinään "R"-nastalla. Kiinnitä polttimen nasta ruuvimeisselillä.



VIKADIAGNOSTIIKKA

HÄMÄHÄKKI- JA HYÖNTEISVAROITUS

Tarkista ja puhdista polttimet sekä ventuuriputket hyönteisten ja pesien varalta. Tukkeutunut putki voi aiheuttaa tulipalon grillin alle. Vaikka tukkeutunut polttorööri ei ole ainoa syy "TAKASYPÄHDYKSELLE", se on yleisin syy.

Vähentääksesi takapalamisriskin mahdollisuutta sinun tulee puhdistaa polttimen putket ennen grillin kokoamista ja vähintään kerran kuukaudessa loppukesästä tai alkusyksystä, jolloin hämähäkit ovat aktiivisimmillaan. Suorita tämä polttimen putkien puhdistus myös silloin, jos grilliä ei ole käytetty pitkään aikaan.

MILLOIN ETSIÄ HÄRKÄMÖKKEJÄ

Sinun tulisi tarkistaa polttimet kerran vuodessa tai heti, kun jokin seuraavista tilanteista ilmenee:

- Kaasun haju yhdessä polttimen kipinöivien keltaisten liekkien ilmestyessä.
- Grilli ei saavuta lämpötilaa.
- Grilli lämpenee epätasaisesti.
- Polttimista kuuluu pokahtelevia ääniä.

ENNE PALVELUPYYNTÖÄ

Jos grilli ei toimi kunnolla, tutustu alla olevaan vianetsintäosioon ennen kuin otat yhteyttä huoltoliikkeeseen. Voit näin välttää huoltokäynnin kustannukset.

ESILÄMMITYS: Grillin kansi on pidettävä kiinni esilämmityksen aikana. Grilli on esilämmitettävä ennen tiettyjen ruokien valmistusta ruokalajin ja lämpötilavaatimusten mukaisesti. Ruoka, joka vaatii korkeaa kypsennyslämpötilaa, tarvitsee viiden minuutin esilämmityksen; matalampaa lämpötilaa vaativat ruoat tarvitsevat vain kahden tai kolmen minuutin ajan.

KYPSENNYSASTEET

Korkea teho: Käytä tätä asetusta nopeaan lämmitykseen, pihvien ja kyljysten paistamiseen sekä grillaamiseen.

Matala teho: Tätä asetusta käytetään kaikessa paahtamisessa, leivonnassa sekä hyvin vähärasvaisten palojen, kuten kalan, kypsennyksessä.

Lämpötilat vaihtelevat ulkolämpötilan ja tuulen määrän mukaan. Kypsennys epäsuoralla lämmöllä: Voit kypsentää siipikarjaa ja suuria lihapaloja hitaasti täydelliseksi grillin toisella puolella epäsuoran lämmön avulla, joka tulee toisella puolella olevasta polttimesta. Sytytetyn polttimen lämpö kiertää hellävaraisesti grillin sisällä, kypsentaen lihaa tai siipikarjaa ilman, että suora liekki koskettaa niitä. Tämä menetelmä vähentää huomattavasti liekkien roihahtelua, kun paistetaan erityisen rasvaisia paloja, koska suoraa liekkiä ei ole sytyttämässä kypsennyksen aikana tippuvia rasvoja ja mehua.

⚠ VAROITUS

Jos polttimet sammuvat käytön aikana, sulje kaasun syöttö lähteestä ja käännä kaikki kaasuhanat kiinni. Avaa kansi ja odota viisi minuuttia ennen uudelleen sytyttämistä (tällä tavoin pääset eroon kertyneistä kaasuhöyryistä).

⚠ VAROITUS

Jos rasvapalo tapahtuu, sulje kaasun syöttöpaikka, käännä kaikki polttimet pois päältä ja jätä kansi suljettuna, kunnes palo on sammuksissa.

⚠ VAROITUS

ÄLÄ yritä irrottaa kaasuliitintä grillin ollessa käynnissä. Kuten kaikkien laitteiden kanssa, huolellinen hoito ja kunnossapito pitävät ne hyvässä käyttökunnossa ja pidentävät niiden käyttöikää. Kaasugrillisi ei ole poikkeus.

⚠ VAROITUS

ÄLÄ käytä sivupolttimen paahdinta, kun kansi on suljettu. Jos grillissäsi on paahdinkansi sivupolttimelle, se voi kuumentua erittäin kuumaksi ja aiheuttaa palovammojen vaaran, kun kansi on suljettuna. Pidä kansi aina auki, kun poltin on käytössä.

VARAOSIEN TILAAMINEN

KUINKA TILATA VARAOSIA

Jotta saat oikean varaosan kaasugrilliisi, tutustu varaosaluetteloon.

Varmista, että kaikki tarvittavat tiedot ovat valmiina tilauksen yhteydessä. Huomioithan, että asiakas on vastuussa kaikista varaosien toimituskuluista.

- Kaasugrillin malli (katso grillin tietotarra).
- Varaosan osanumero.
- Tarvittavan varaosan kuvaus.
- Tarvittavien osien määrä.

Varaosien tilaamiseksi käy soita asiakaspalveluumme numeroon.

+49 5251 875 6174 | ServiceDE@nexgrill.de (DE)

+49 60 20 60 71 | ServiceDK@nexgrill.com (DK)

⚠ TÄRKEÄÄ

Käytä aina tehtaan hyväksymiä osia. Hyväksymättömien osien käyttö on vaarallista ja mitätöi takuun. Pidä kokoonpano- ja käyttöohjeet tallessa, jotta niihin on helppo palata ja varaosien tilaaminen sujuu vaivattomasti.

RAJOITETTU TAKUU

Valmistaja takaa ainoastaan alkuperäiselle kuluttaja-ostajalle, että tämä tuote (malli #720-0925PS) on oikean kokoamisen jälkeen valmistus- ja materiaaliavirheistä vapaa normaalia ja kohtuullista kotikäyttöä varten alla mainitun takuuajan puitteissa, joka alkaa ostopäivästä. Valmistaja pitää oikeuden vaatia vahingon valokuvallista todistetta tai viallisten osien palauttamista kuluttajan ennakoon maksamana postimaksuna ja/tai rahtina tarkastusta ja tutkimusta varten. Megamasterin vastuu rajoittuu korjaukseen, vaihtoon tai arvon alenemiseen Megamasterin oman valinnan mukaan.

- **PUTKIPOLTTAJAT:** 5 vuoden RAJOITETTU takuu rei'ittymistä vastaan.
- **KYPSENNYSRISTIKOT** ja **LIEKINHIDASTIMET:** 1 vuoden RAJOITETTU takuu; ei kata putoamista, lohkeamia, naarmuja tai pintavaurioita.
- **RUOSTUMATTOMASTA TERÄKSESTÄ VALMISTETUT OSAT:** vuoden RAJOITETTU takuu rei'ittymistä vastaan; ei kata ulkonäkövirheitä kuten pintaruostetta, naarmuja tai korroosiota.
- **KAIKKI MUUT OSAT:** 1 vuoden RAJOITETTU takuu (sisältää, mutta ei rajoitu, venttiilit, runko, kotelo, kärry, ohjauspaneeli, sytytin, säädin, letkut). * Ei kata lohkeamia, naarmuja, halkeamia, pintakorroosiota tai ruostetta.

Kun kuluttaja toimittaa tässä edellytetyn ostotodistuksen, valmistaja korjaa tai vaihtaa takuuajan kuluessa todetut vialliset osat. Korjaukseen tai vaihtoon tarvittavat osat toimitetaan sinulle ilman veloitusta, lukuun ottamatta toimituskuluja, edellyttäen, että ostaja on alkuperäisestä ostopäivästä lähtien vielä takuuajalla. Alkuperäinen kuluttaja vastaa kaikista vaihdettujen osien toimituskustannuksista tämän rajoitetun takuun ehtojen mukaisesti. Tämä rajoitettu takuu on voimassa vain Yhdysvalloissa ja Kanadassa, se on voimassa ainoastaan tuotteen alkuperäiselle omistajalle eikä ole siirrettävissä. Valmistaja vaatii kohtuullisen todisteen ostopäivästäsi. Tästä syystä sinun tulee säilyttää myyntikuitit ja/tai lasku tallessa. Jos laite on saatu lahjana, pyydä lahjan antajaa lähettämään kuitti puolestasi alla olevaan osoitteeseen. Viallisia tai puuttuvia osia, jotka kuuluvat tämän rajoitetun takuun piiriin, ei vaihdeta ilman rekisteröintiä tai ostotodistusta. Tämä rajoitettu takuu kattaa vain tuotteen toiminnallisuuden eikä kata kosmeettisia vikoja kuten naarmuja, kolhuja, korroosiota tai värjäytymää, joka johtuu lämmöstä, hankaavista tai kemiallisista puhdistusaineista tai laitteen kokoamisesta tai asennuksessa käytetyistä työkaluista, pinnan ruosteesta tai ruostumattoman teräksen värjäytymistä. Pintaruoste, korroosio tai metalliosien maalipinnan lohkeaminen, joka ei vaikuta tuotteen rakenteelliseen kestävytyteen, ei ole valmistus- tai materiaaliavirhe eikä kuulu tämän takuun piiriin. Tämä rajoitettu takuu ei korvaa sinulle aiheutuneita haittoja, ruoantappioita, henkilövahinkoja tai omaisuusvahinkoja. Jos alkuperäistä varaosaa ei ole saatavilla, toimitetaan vastaava korvaava osa. Sinä olet vastuussa kaikista vaihdettujen osien toimituskuluista tämän rajoitetun takuun ehtojen mukaisesti.

VALMISTAJA EI MAKSA:

- Kotikäyntien kuluja.
- Korjauksista, kun tuotetta käytetään muuhun kuin normaaliin, yhden perheen talous- tai asuinkäyttöön.
- Vahingoista, jotka johtuvat onnettomuudesta, muutoksista, väärinkäytöstä, huollon tai puhdistuksen laiminlyönnistä, kaltoinkohtelusta, tulipalosta, tulvasta, luonnonilmiöistä, virheellisestä asennuksesta sekä asennuksesta, joka ei noudata sähkö- tai putkiasennusmääräyksiä, tai tuotteen väärinkäytöstä.
- Ruokahävikistä, joka johtuu tuotteen toimintahäiriöstä.
- Varaosien tai korjaustyön kustannuksista yksiköille, joita käytetään Yhdysvaltojen tai Kanadan ulkopuolella.
- Tuotteen nouto- ja toimituskuluista.
- Postimaksuja tai valokuvien käsittelykuluja peritään, kun kuvat toimitetaan dokumentaationa.
- Korjauksista, jotka johtuvat luvattomista muutoksista tuotteeseen.
- Tuotteen irrotuksesta ja/tai uudelleenasennuksesta.
- Takuu- ja takuun ulkopuolisten varaosien toimituskustannukset, joko normaalit tai pikatoimitukset.

TUNNETTUJEN JA OLETETTUJEN TAKUIDEN VASTUUVAPAAUS; KORJAUSKEINOJEN RAJOITUKSET

Viallisten osien korjaaminen tai vaihtaminen on yksinomainen oikeutesi tämän rajoitetun takuun ehtojen nojalla. Valmistaja ei ole vastuussa mistään välillisistä tai satunnaisista vahingoista, jotka johtuvat tämän rajoitetun takuun tai soveltuvan hiljaisen takuun rikkomisesta, eikä vahingoista tai vioista, jotka johtuvat luonnonkatastrofeista, virheellisestä hoidosta ja huollosta, rasvapaloista, onnettomuuksista, muutoksista, osien vaihdosta muulla kuin valmistajalla, väärinkäytöstä, kuljetuksesta, kaupallisesta käytöstä, väärinkohtelusta, ankarista ympäristöolosuhteista (esim. huono sää, luonnonvoimat, eläinten aiheuttamat vahingot), virheellisestä asennuksesta tai asennuksesta, joka ei noudata paikallisia sääntöjä tai valmistajan kirjallisia ohjeita.

TÄMÄ RAJOITETTU TAKUU ON AINOA VALMISTAJAN ANTAMA NIMENOMAINEN TAKUU. VALMISTAJA EI ANNA TAKUUTA KENKÄÄN TUOTTEEN SUORITUSKYVYLLE TAI KUVAUKSELLE, PÄINVASTOIN KUIN TÄMÄSSÄ RAJOITETUSSA TAKUUSSA ON ERIKSEEN MÄÄRITETTY. MITÄÄN OLETETTUA TAKUUSUOJAA, JOKA JOHTUU MINKÄ TAHANSA OSAVALTION LAISTA, MUKAAN LUKIEN OLETETTU TAKUU TUOTTEEN KAUPALLISESTA SOVELTUVUUDESTA TAI ERITYISEEN TARKOITUKSEEN SOPIVUUDESTA, RAJOITETAAN TÄMÄN RAJOITETUN TAKUUN KESTOAIKAAN.

Jälleenmyyjillä tai vähittäismyyntipisteillä, jotka myyvät tätä tuotetta, ei ole valtuuksia antaa lisätakuuta tai luvata korvauksia, jotka poikkeavat yllä olevista ehdoista. Valmistajan enimmäisvastuu ei missään tapauksessa ylitä alkuperäisen kuluttajan maksamaa dokumentoitua tuotteen ostohintaa. Tämä takuu koskee vain yksiköitä, jotka on ostettu valtuutetulta jälleenmyyjältä tai välittäjältä. HUOMIO: Jotkin osavaltiot eivät salli satunnaisien tai välillisten vahinkojen poissulkemista tai rajoittamista, joten jotkin yllä mainituista rajoituksista tai poissulkemista eivät välttämättä koske sinua; tämä rajoitettu takuu antaa sinulle erityisiä oikeudellisia oikeuksia. Saatat myös saada muita oikeuksia, jotka vaihtelevat osavaltioittain.

Jos haluat vaatia jonkin velvoitteen täyttämistä tämän rajoitetun takuun perusteella, sinun tulee kirjoittaa osoitteeseen:

Martinsen Nordic A/S
Eksportvej 7 - 8870 Langå
Denmark - CVR 27771025

Kysymys?

+49 5251 875 6174 | ServiceDE@nexgrill.de (DE)

+49 60 20 60 71 | ServiceDK@nexgrill.com (DK)

INSTRUÇÕES DE SEGURANÇA

⚠ PERIGO

Se sentir cheiro a gás:

- Feche o fornecimento de gás ao aparelho.
- Apague qualquer chama acesa.
- Abra a tampa.
- Se o odor persistir, mantenha-se afastado do aparelho e contacte imediatamente o seu fornecedor de gás ou os bombeiros.

⚠ AVISO

- Não armazene nem utilize gasolina ou outros líquidos ou vapores inflamáveis nas proximidades deste ou de qualquer outro aparelho.
- Um cilindro de gás liquefeito de petróleo não conectado para uso não deve ser armazenado perto deste ou de qualquer outro aparelho.

⚠ AVISO

Para reduzir o risco de incêndio, choque elétrico, lesões pessoais ou danos ao usar o aparelho de gás para cozinhar ao ar livre, siga precauções básicas, incluindo as seguintes:

- Utilize apenas no exterior.
- Leia as instruções antes de utilizar o aparelho.
- AVISO: As partes acessíveis podem ficar muito quentes. Mantenha crianças pequenas afastadas.
- Não mova o aparelho durante a utilização.
- Se o aparelho estiver guardado no interior, o cilindro de gás deve ser desligado e removido do aparelho.
- Verifique e limpe os tubos do queimador / venturi para insetos e ninhos.

SISTEMA DE ABASTECIMENTO DE GÁS LIQUEFEITO DE PETRÓLEO (GLP) POR CILINDRO

- Os cilindros de gás devem ser armazenados ao ar livre, numa área bem ventilada e fora do alcance das crianças.
- Os cilindros de gás não devem ser guardados em edifícios, garagens ou qualquer outra área fechada.
- O sistema de fornecimento do cilindro de gás deve ser preparado para a retirada de vapor.
- O cilindro de gás deve incluir um colar para proteger a válvula do cilindro.
- Nunca ligue um cilindro de gás sem regulador ao seu grelhador a gás.
- Use apenas o regulador de pressão e o conjunto de mangueira fornecidos com o grelhador. Qualquer regulador de pressão e conjunto de mangueira de substituição deve cumprir a norma EN 16129:2013 e a regulamentação nacional.
- A mangueira flexível usada, com comprimento não superior a 1,50 metros, deve obedecer à norma EN 16436-1:2014+A3:2020.
- Este grelhador está configurado para gás liquefeito de petróleo. Não utilize gás natural.
- Inspeccione a mangueira de fornecimento do cilindro de gás antes de cada utilização do aparelho de gás para cozinhar no exterior. Se a mangueira apresentar desgaste excessivo, abrasão ou estiver cortada, DEVE ser substituída antes de usar o aparelho.
- Se for detetada uma fuga, feche a válvula do cilindro de gás, desligue a linha de combustível do grelhador e não utilize o grelhador.
- Contacte o seu fornecedor e utilize apenas mangueiras de substituição especificadas para uso com o aparelho de gás para cozinhar no exterior.
- Um regulador de pressão e conjunto de mangueira de substituição específico para o seu modelo está disponível junto do seu fornecedor de aparelhos de gás para cozinhar no exterior.
- Verifique sempre as ligações para fugas cada vez que conectar e desconectar o cilindro de gás. Consulte a secção "Requisitos para Ligação de Gás".
- Recomenda-se substituir a mangueira flexível sempre que as condições o exigirem.
- Assegure-se de que a mangueira de gás não sofre torções.

PRÁTICAS DE SEGURANÇA PARA EVITAR FERIMENTOS PESSOAIS

- Durante a utilização, este aparelho deve ser mantido afastado de materiais inflamáveis.
- Mantenha a área à volta do aparelho de gás para cozinhar ao ar livre limpa e livre de materiais combustíveis, gasolina e outros vapores e líquidos inflamáveis.
- Não obstrua o fluxo de ar de combustão e ventilação. Mantenha as aberturas de ventilação do compartimento de armazenamento livres e desobstruídas.
- O aparelho de cozinha a gás para exterior não deve ser colocado sob uma construção suspensa de material combustível não protegido.
- Este aparelho de cozinha a gás para exterior deve ser usado apenas ao ar livre e não deve ser utilizado dentro de edifícios, garagens ou qualquer outra área fechada.

INSTRUÇÕES DE SEGURANÇA

Se as informações a seguir não forem cumpridas rigorosamente, poderá ocorrer um incêndio que cause morte ou ferimentos graves.

- Não armazene um cilindro de gás sob ou perto deste aparelho de cozinha a gás para exterior.
- Nunca encha o cilindro de gás para além de 80% da sua capacidade.
- Ao trocar o cilindro de gás, certifique-se de que está afastado de qualquer fonte de ignição.
- Limpe a grelha antes de cada utilização para evitar o acumular de gordura e reduzir o risco de incêndios por gordura.
- Este aparelho ficará quente durante e após o uso. Use luvas ou manoplas isolantes para se proteger das superfícies quentes ou dos respingos de líquidos durante a cozedura.
- Partes seladas pelo fabricante não devem ser alteradas pelo utilizador.
- Não modifique o aparelho. Qualquer modificação no aparelho pode ser perigosa.
- Após o uso, desligue o fornecimento de gás no cilindro.
- Quando o aparelho de cozinha a gás para exterior não estiver em uso, o gás deve ser cortado no cilindro de abastecimento.
- Não instale aparelhos de cozinha a gás para exterior, portáteis ou embutidos, em veículos recreativos, reboques portáteis, barcos ou qualquer outra instalação móvel.
- Mantenha sempre as distâncias mínimas recomendadas em relação a construções combustíveis, consulte a secção "Requisitos de Localização" na página 4.
- Mantenha qualquer cabo de alimentação elétrica e mangueira de fornecimento de combustível afastados de superfícies aquecidas.
- Guarde o aparelho num local fresco e seco quando não estiver em uso por um período de tempo.

⚠ AVISO

Não tente acender este aparelho sem antes ler a secção "INSTRUÇÕES DE ACENDIMENTO" deste manual.

TESTADO DE ACORDO COM AS NORMAS EN 498 & EN 484 PARA APARELHOS DE COZINHA A GÁS PARA EXTERIOR. ESTA GRELHA É APENAS PARA USO EM EXTERIOR.

NOTA: O fluxo normal de gás através do regulador e da montagem de mangueira pode causar um zumbido. Um nível baixo de ruído é perfeitamente normal e não irá interferir com o funcionamento da grelha. Se o zumbido for alto e excessivo, poderá ser necessário purgar o ar da linha de gás ou redefinir o dispositivo regulador de fluxo excessivo de gás. Este procedimento de purga deve ser realizado sempre que um novo cilindro de gás liquefeito de petróleo for conectado à sua grelha.

- A panela adequada para utilização no queimador lateral deve ter entre 18 e 22 cm (7 a 8,6 polegadas) de diâmetro.
- Não coloque objetos pesados na mesa lateral. O peso máximo é de 5 kg (11 libras).

REQUISITOS DE LOCALIZAÇÃO

Escolha um local que ofereça a mínima exposição ao vento e às vias de passagem. O local deve ficar longe de áreas com fortes correntes de ar. Não obstrua o fluxo do ar de combustão e ventilação.

Distância de segurança para estruturas combustíveis junto à grelha:

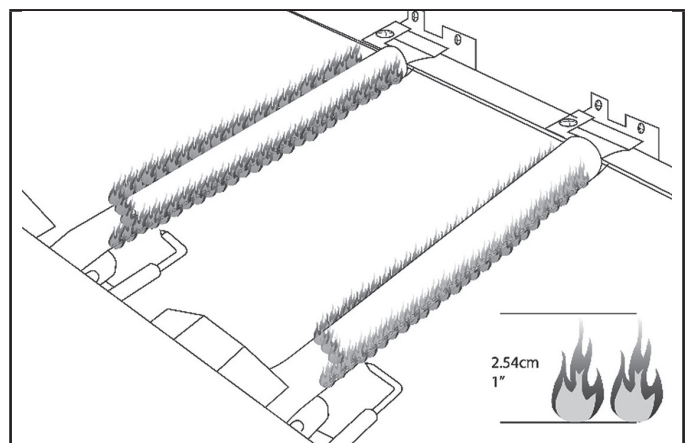
- Deve ser mantida uma distância mínima de 1 metro entre a parte frontal do capuz da grelha, os lados, a parte traseira da grelha e qualquer construção inflamável.
- Deve também manter-se uma distância mínima de 1 metro abaixo da superfície de cozedura; a grelha não deve ser usada sob construções inflamáveis suspensas.
- Mantenha uma distância de 3 metros de objetos inflamáveis ou fontes de ignição, como chama piloto de aquecedores de água, aparelhos eléctricos ligados, etc.

⚠ CUIDADO: CUIDADO COM O RETROCESSO

CUIDADO:Z: Aranhas e pequenos insetos ocasionalmente tecem teias ou fazem ninhos nos tubos do queimador da grelha durante o transporte e armazenamento. Estas teias podem obstruir o fluxo de gás, o que pode causar um incêndio dentro e ao redor dos tubos do queimador. Este tipo de incêndio é conhecido como "RETROCESSO" e pode causar sérios danos à sua grelha e criar uma condição de operação insegura para o utilizador.

Embora um tubo de queimador obstruído não seja a única causa de "RETROCESSO", é a mais comum.

Para reduzir a possibilidade de "RETROCESSO", deve limpar os tubos do queimador antes de montar a grelha e pelo menos uma vez por mês no final do verão ou início do outono, quando as aranhas estão mais ativas. Também deve realizar este procedimento de limpeza dos tubos do queimador se a grelha não for utilizada durante um longo período. Um tubo entupido pode levar a um incêndio sob a grelha.



CHECK AND ADJUST BURNERS

Os queimadores são testados e regulados de fábrica para garantir a operação mais eficiente. No entanto, variações no fornecimento de gás e outras condições podem requerer

pequenos ajustes no obturador de ar ou na configuração de chama baixa.

- Verifique visualmente as chamas dos queimadores. Elas devem ser de cor azul. Ligeiras pontas amarelas são normais para gás propano. As chamas devem ter aproximadamente 2,5 cm (1 polegada) de altura.
- Para verificar e ajustar as chamas dos queimadores da grelha, é necessário remover as grelhas e os difusores de chama.
- Recomenda-se que uma pessoa qualificada faça os ajustes dos queimadores.

Verifique se os queimadores não estão obstruídos por sujeira, detritos, ninhos de insetos, etc., e limpe conforme necessário. Se estiverem limpos, ajuste as entradas de ar conforme precisar.

PRESSÕES E ESPECIFICAÇÕES DE GÁS NA EUROPA

Fabricante	Global Leisure Group Deutschland GmbH Karl-Schurz Strasse 25, 33100 Paderborn, Deutschland				
Modelo	720-0925PS				
Categoria do aparelho	I3+(28-30/37)	I3B/P(30)	I3B/P(37)	I3B/P(50)	
Tipo de gás	Butano	Propano	Butano, Propano ou mistura destes		
Pressão do gás (mbar)	28-30	37	28-30	37	50
Tamanho do injetor do queimador principal (Ø mm)	0.85/1.02		0.85/1.02	0.81/0.94	0.76/0.84
Potência térmica nominal (Hs) (kW)	Total: 13.19				
Consumo de gás (g/h) (total)	Butano - Total: 1012				
	Propano - Total: 933				

NOTA:

- Use regulador de 30 mbar e o tamanho correspondente do injetor para butano/propano na categoria I3B/P(30).
- Use regulador de 30 mbar e o tamanho correspondente do injetor para butano na categoria I3+(28-30/37).
- Use regulador de 37 mbar e o tamanho correspondente do injetor para propano na categoria I3+(28-30/37).
- Use regulador de 50 mbar e o tamanho correspondente do injetor para butano/propano na categoria I3B/P(50).

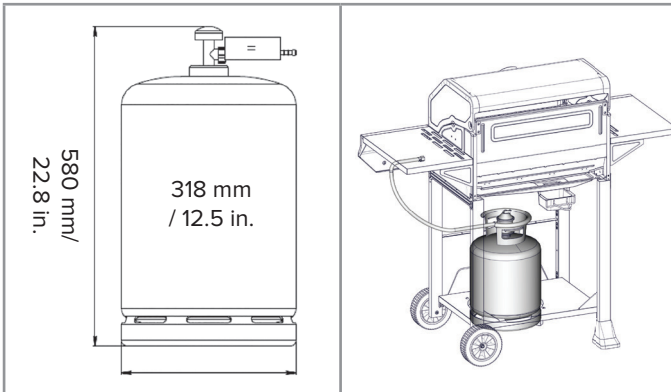
A marcação no injetor indica o seu tamanho. Por exemplo, "0,90" significa que o tamanho do injetor é 0,90 mm.

País	Tipo de Gás	Pressão
BE, CH, CY, CZ, ES, FR, GB, GR, IE, IT, LT, LU, LV, PT, SI, SK, TR	I3+	28-30/37 mbar
BE, BG, CY, CZ, DK, EE, FI, FR, GB, HR, HU, IS, IT, LT, LU, LV, MT, NL, NO, RO, SE, SI, SK	I3B/P	28-30 mbar
PL	I3B/P	37 mbar
AT, CH, DE, SK, LU	I3B/P	50 mbar
*Os códigos dos países estão de acordo com a norma EN ISO 3166-1:2006.		

REQUISITOS DE LIGAÇÃO DE GÁS

CILINDRO DE GÁS DE PETRÓLEO LIQUEFEITO PARA COMBUSTÍVEL

Use apenas cilindros de gás com capacidade mínima de 5 kg (11 lb) e máxima de 15 kg (33 lb). Um cilindro de gás com aproximadamente 318 mm (12,5 polegadas) de diâmetro e 580 mm (22,8 polegadas) de altura deverá ser o tamanho máximo utilizável. É fornecido um conjunto regulador de pressão/mangueira para gás.



REQUISITOS PARA CILINDROS DE GÁS DE PETRÓLEO LIQUEFEITO

Uma botija de gás amolgada ou enferrujada pode ser perigosa e deve ser verificada pelo fornecedor do gás liquefeito de petróleo. Nunca utilize uma botija de gás com a válvula danificada. Coloque a tampa protetora na saída da válvula da botija sempre que não estiver a usar o gás. Instale apenas o tipo de tampa protetora para a válvula que acompanha a botija. Outros tipos de tampas ou rolas podem causar fugas de gás.

LIGAÇÃO DE GÁS DE PETRÓLEO LIQUEFEITO

Certifique-se de que as buchas de plástico preto na válvula do cilindro de gás estão no lugar e que a mangueira não entra em contacto com a bandeja de gordura ou com a cabeça do grelhador.

LIGAÇÃO

▲ IMPORTANTE

- Um cilindro de combustível a gás deve ser adquirido separadamente.
- Deve ser utilizado o conjunto de regulador de pressão/mangueira fornecido com o grelhador.
- Um conjunto de regulador de pressão de gás/mangueira específico para o seu modelo está disponível no seu revendedor de grelhadores para exteriores.

PARA LIGAR O CILINDRO DE COMBUSTÍVEL A GÁS:

- Verifique se o cilindro de combustível a gás está na posição "DESLIGADO". Caso contrário, rode a válvula no sentido horário até parar.
- Confirme que os botões de controlo do queimador estão na posição "DESLIGADO".
- Remova quaisquer detritos e inspecione as ligações da válvula, a saída, e o conjunto regulador de pressão/mangueira de gás quanto a danos. Nunca tente usar equipamento danificado ou obstruído. Consulte o seu distribuidor local de gás propano para reparações.

NOTA: Mantenha sempre o cilindro de gás na posição vertical a 90° para permitir a retirada do vapor.

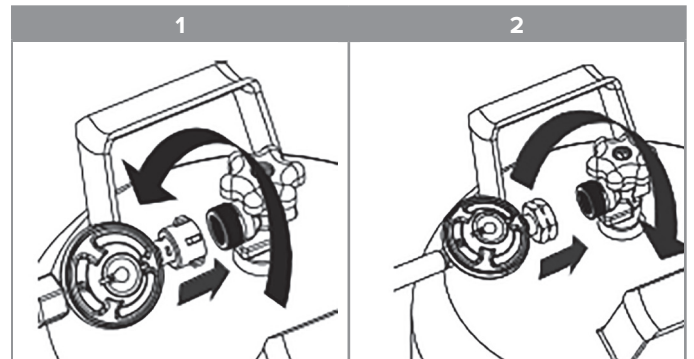
Alguns reguladores ligam ao rodar para abrir e desligam ao rodar para fechar, enquanto outros têm uma porca com rosca à esquerda ou à direita que se liga à válvula do cilindro. IDENTIFIQUE O TIPO DE REGULADOR QUE TEM E SIGA AS INSTRUÇÕES DE LIGAÇÃO ESPECÍFICAS PARA ESSE REGULADOR.

1. Conecte rodando no sentido dos ponteiros do relógio

Enrosque o regulador no cilindro de gás rodando a porca de conexão no sentido horário.

2. Conecte rodando no sentido contrário ao dos ponteiros do relógio

Enrosque o regulador no cilindro de gás, rodando a porca de conexão no sentido contrário ao do relógio.



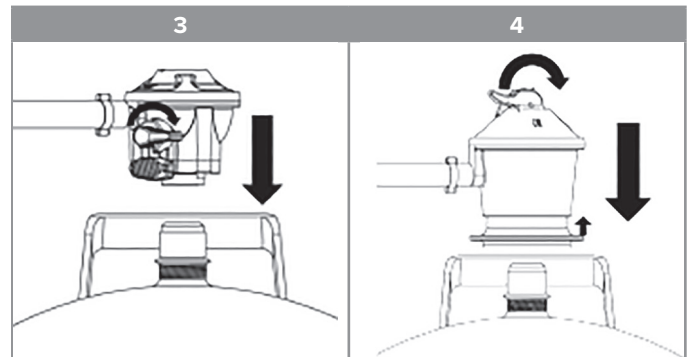
3. Conecte girando a alavanca ou encaixando na posição.

Rode a alavanca do regulador no sentido dos ponteiros do relógio até à posição OFF. Pressione o regulador para baixo na válvula do cilindro até ouvir o 'clique' audível. Verifique se o regulador está completamente travado e seguro, puxando suavemente para cima. Se o regulador se desengatar, repita o procedimento.

4. Conecte deslizando o colar

Certifique-se de que a alavanca do regulador está na posição desligada. Deslize o anel de retenção do regulador para cima. Empurre o regulador para baixo na válvula do cilindro e mantenha a pressão aplicada para baixo no regulador. Deslize o anel de retenção para baixo para prender o regulador na válvula do cilindro. Verifique se o regulador está bem fixo. Se o regulador se desengatar, repita o procedimento.

Nota: Se o seu grelhador não estiver equipado com um conjunto de mangueira e regulador, consulte a tabela "Pressões e Especificações de Gás na Europa" para esclarecer a pressão de gás do regulador e o tamanho do orifício necessários.



REQUISITOS DE LIGAÇÃO DE GÁS

Certifique-se de que o dispositivo de ligação da válvula da garrafa de gás encaixa corretamente no dispositivo de ligação do regulador de pressão.

- Abra o fornecimento de gás na origem seguindo as instruções específicas para esse regulador.
 - Regulador de rosca: Rode a manivela da válvula, situada na garrafa de gás, no sentido contrário ao dos ponteiros do relógio.
 - Regulador de encaixe: Coloque a alavanca do regulador na posição ligada.
- Antes de acender o grelhador, teste todas as ligações aplicando uma solução de detecção de fugas não corrosiva aprovada. A formação de bolhas indica a existência de uma fuga.
- Se encontrar uma fuga, feche a válvula da garrafa e não utilize o grelhador. Contacte um técnico de gás qualificado para efetuar as reparações necessárias.
- Vá para a secção "Verificar e Ajustar os Queimadores".

PARA DESLIGAR O CILINDRO DE COMBUSTÍVEL A GÁS

- Verifique se os botões de controlo do queimador estão na posição "DESLIGADO" e se a grelha está fria.
- Verifique se o cilindro de gás está na posição "DESLIGADO". Caso contrário, rode a válvula no sentido horário até parar.
- Identifique o tipo do seu regulador. Feche o fornecimento de gás na fonte e desligue o regulador do cilindro de gás,

seguinte as instruções específicas para esse regulador.

- Desligar, rodando no sentido contrário ao dos ponteiros do relógio:** Rode a mão da válvula, localizada no cilindro, no sentido dos ponteiros do relógio. Desaperte o regulador do cilindro de gás rodando a porca de ligação no sentido contrário ao dos ponteiros do relógio.
 - Desligar rodando no sentido dos ponteiros do relógio:** Rode a mão da válvula, localizada no cilindro de gás, no sentido dos ponteiros do relógio. Desaperte o regulador do cilindro de gás rodando a porca de ligação no sentido dos ponteiros do relógio.
 - Desligar movendo a alavanca/encaixando na posição:** Desloque a alavanca do regulador para a posição DESLIGADO. Pressione a alavanca do regulador até que se solte do cilindro de gás.
 - Desligar deslizando o colarinho:** Desloque a alavanca do regulador para a posição DESLIGADO. Puxe o anel de retenção para desengatar o regulador da válvula do cilindro de gás. Levante o regulador para afastá-lo da válvula do cilindro.
- Coloque a tampa de pó na saída da válvula do cilindro de gás sempre que o cilindro não estiver em uso. Instale apenas o tipo de tampa de pó fornecida com a válvula do cilindro. Outros tipos de tampas ou tampões podem provocar fugas de gás liquefeito de petróleo.
 - Deixe o corpo do grelhador arrefecer pelo menos 30 minutos antes de tentar movê-lo ou transportá-lo.

TESTE DE FUGAS

GERAL

Embora todas as ligações de gás do grelhador sejam testadas quanto a fugas na fábrica antes do envio, é obrigatório realizar um teste completo de fugas no local de instalação devido a possíveis manuseamentos incorretos durante o transporte ou à aplicação involuntária de pressão excessiva na unidade. Verifique periodicamente todo o sistema para fugas, seguindo os procedimentos estabelecidos abaixo. Sempre que detetar um cheiro a gás, deve verificar imediatamente todo o sistema à procura de fuga.

ANTES DE TESTAR

Certifique-se de que todo o material de embalagem foi removido do grelhador, incluindo as fitas de amarração.

NÃO FUME ENQUANTO EFETUA O TESTE DE FUGAS. NUNCA REALIZE O TESTE DE FUGAS COM CHAMA ABERTA.

Prepare uma solução com uma parte de detergente líquido e uma parte de água. Será necessário um pulverizador, pincel ou pano para aplicar a solução nas ligações. Para o teste inicial de fugas, assegure-se de que o cilindro de gás está 80% cheio.

PARA TESTAR

1. Certifique-se de que as válvulas de controlo estão na posição "O" e ligue o fornecimento de gás.
2. Verifique todas as ligações desde o regulador de gás GLP e a válvula de fornecimento até à ligação ao conjunto da tubagem do coletor (a tubagem que abastece os queimadores). Bolhas de sabão irão aparecer onde existir fuga.
3. Se detectar uma fuga, desligue imediatamente o fornecimento de gás e aperte as conexões que estejam a vaziar.
4. Ligue novamente o gás e verifique de novo.
5. Se o gás continuar a vaziar de alguma conexão, desligue o fornecimento de gás e contacte o serviço ao cliente.

⚠ VERIFIQUE SEMPRE A EXISTÊNCIA DE FUGAS APÓS CADA TROCA DE CILINDRO DE

Kontroller alle gassforsyningskoblinger for lekkasje før hver bruk. Det er en god idé å ha en sprayflaske med såpevann i nærheten av frakoblingsventilen til forsyningslinjen. Sprøyt på alle tilkoblinger. Bobler er et tegn på lekkasje.

Use apenas as peças recomendadas pelo fabricante no grelhador. A substituição por peças não recomendadas anula a garantia. Não utilize o grelhador até verificar que todas as conexões estão seguras e sem fugas.

VERIFICAÇÃO DO FLUXO DE GÁS

Cada queimador do grelhador é testado e ajustado na fábrica antes de ser enviado; no entanto, variações no fornecimento local de gás podem exigir ajustes nos queimadores. Deve verificar visualmente a chama dos queimadores. A chama deve ser azul e estável, sem pontas amarelas, ruído excessivo ou levantamento. Se alguma destas condições ocorrer, verifique se o regulador de ar ou os orifícios do queimador estão bloqueados por sujidade, detritos, teias de aranha, etc. Se tiver dúvidas sobre a estabilidade da chama, por favor, chame o serviço de apoio ao cliente.

LISTA DE VERIFICAÇÃO FINAL DO INSTALADOR

<input type="checkbox"/>	Distância mínima de segurança entre os lados e a parte traseira da unidade e materiais combustíveis: 1 metro lateralmente e 1 metro atrás.
<input type="checkbox"/>	Toda a embalagem interior foi removida.
<input type="checkbox"/>	Os botões giram livremente.
<input type="checkbox"/>	Os queimadores estão firmes e corretamente posicionados sobre os orifícios.
<input type="checkbox"/>	O regulador de pressão está conectado e ajustado. As ligações de gás à grelha utilizam o conjunto de mangueira e regulador fornecidos.
<input type="checkbox"/>	A unidade foi testada e está sem fugas.
<input type="checkbox"/>	O utilizador foi informado da localização da válvula de corte do fornecimento de gás.

UTILIZADOR, POR FAVOR CONSERVE ESTE MANUAL PARA CONSULTA FUTURA.

PRECAUÇÕES RELATIVAS AO CILINDRO DE PROPANO

1. Não armazene um cilindro de gás LP adicional debaixo ou perto deste aparelho.
2. NUNCA encha o cilindro para além de 80% da sua capacidade.

Note o seguinte: Se as informações nos pontos “1” e “2” não forem seguidas exatamente, poderá ocorrer um incêndio ou explosão que cause morte ou ferimentos graves.

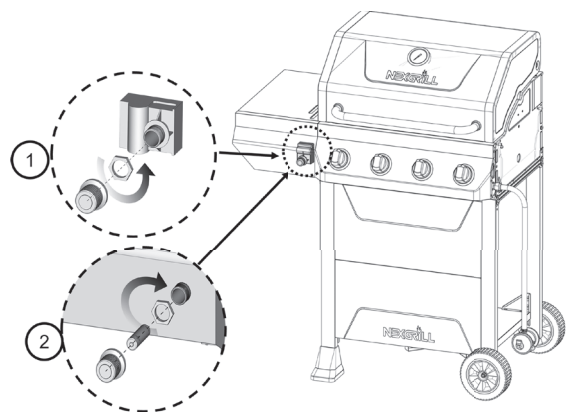
INFORMAÇÕES IMPORTANTES SOBRE AS BATERIAS

Para reduzir a probabilidade de exposição da bateria a condições de uso indevido e/ou abusivo, siga as instruções de instalação da bateria abaixo.

- Baterias não recarregáveis não devem ser recarregadas.
- Não misture tipos diferentes de baterias, como alcalinas, carbono-zinco ou recarregáveis.
- Não misture baterias novas com usadas.
- Baterias exaustas devem ser removidas do produto.

1 pilha AA de 1,5 V CC (não incluída).

A bateria deve ser inserida com a polaridade correta, conforme mostrado à direita.



PAINEL DE CONTROLO

IMPORTANTE: REMOVA TODAS AS EMBALAGENS, INCLUINDO AS CORREIAS, ANTES DE UTILIZAR O GRELHADOR.



↑
Bouton
d'allumage
électronique

↑
Brûleur principaux

INSTRUÇÕES DE UTILIZAÇÃO

⚠ AVISOS E PRECAUÇÕES

- **NÃO** utilize folha de alumínio para cobrir a bandeja de recolha de gordura removível ou o compartimento de fogo.
- Antes de cada utilização para grelhar, inspecione os deflectores de chama, a bandeja de gordura e o compartimento de fogo para detetar acumulações. Elimine o excesso de gordura para reduzir o risco de labaredas.
- Tenha cuidado ao manusear a bandeja de gordura e ao descartar gordura quente, pois podem ocorrer queimaduras ou derramamentos.
- Use sempre luvas ou manoplas resistentes ao calor quando utilizar o grelhador.
- Mantenha limpa e desobstruída a área em redor das aberturas de ventilação do tanque de propano.
- Assegure-se de que os tanques de propano estão corretamente instalados de acordo com a secção deste manual relativa à ligação do gás.
- Certifique-se de que a mangueira está bem fixada, utilizando o Clipe de Retenção da Mangueira. Caso contrário, a mangueira pode ser danificada e causar incêndio ou explosão, resultando em ferimentos graves ou morte, além de danos materiais.
- Mantenha todos os cabos elétricos e a mangueira de combustível afastados de superfícies quentes para evitar fusão ou ignição.
- **PERIGO** - Inspeccione regularmente as escovas do grelhador para detectar cerdas gastas ou danos. Se encontrar cerdas soltas nas grelhas ou na escova, substitua imediatamente a escova. Recomendamos iniciar cada temporada de grelhados com uma

UTILIZAÇÃO GERAL DO GRELHADOR

Cada queimador principal tem uma potência de 4 kW. Os queimadores principais abrangem toda a área de cozedura e têm saídas laterais para minimizar bloqueios por gordura e detritos. Os botões estão localizados na parte inferior central do painel de controlo. Cada botão está identificado no painel de controlo.

Este grelhador foi concebido para grelhar eficientemente sem o uso de pedras de lava ou briquetes de qualquer tipo. O calor é irradiado pelos abafadores de chama em aço inoxidável acima de cada queimador.

Temperatura mínima ambiente de funcionamento: 0 °F, (-17,8 °C)

INSPECIONE A MANGUEIRA DE FORNECIMENTO DO CILINDRO DE GÁS

Inspeccione o conjunto regulador de pressão/mangueira de gás antes de cada utilização.

1. Abra a porta do armário à esquerda.
2. Verifique se o conjunto regulador/mangueira de gás apresenta cortes, abrasões ou desgaste excessivo.
3. Se necessário, substitua o conjunto regulador/mangueira de gás antes de usar a grelha. Contacte o fabricante e utilize apenas mangueiras de substituição especificadas para o grelhador.

UTILIZAR O GRELHADOR

Grelhar requer calor elevado para selar e dourar adequadamente. A maioria dos alimentos é cozinhada em calor alto durante o tempo todo. No entanto, ao grelhar peças grandes de carne ou aves, pode ser necessário baixar o calor após o douramento inicial. Isso permite cozinhar o alimento sem queimar o exterior. Alimentos cozinhados por muito tempo ou regados com uma marinada açucarada podem precisar de um calor mais baixo perto do fim do tempo de cozedura.

⚠ NÃO DEIXE O GRELHADOR SEM SUPERVISÃO ENQUANTO COZINHA.

SYTYTYSOHJEET

⚠ **AVISO: IMPORTANTE!**

ANTES DE LIGAR O GRELHADOR

Inspeccione a mangueira de fornecimento de gás antes de abrir o gás. Se houver cortes, desgaste ou abrasão, deve ser substituída antes de utilizar. Não use o grelhador se detetar cheiro a gás. Deve usar apenas o regulador de pressão e a montagem da mangueira fornecidos com o aparelho. Nunca substitua os reguladores e o conjunto de mangueiras pelos que foram fornecidos com o grelhador. Se for necessário substituir, entre em contato com o fabricante para obter a peça correta. A substituição deve ser a especificada no manual.

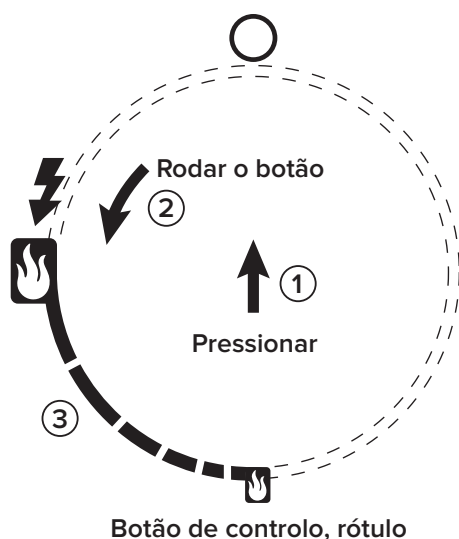
⚠ **AVISO**

Mantenha sempre o rosto e o corpo o mais longe possível do queimador ao acender.

PARA ACENDER OS QUEIMADORES PRINCIPAIS

Certifique-se de que todos os botões estejam desligados e depois abra o fornecimento de gás do depósito de GPL (Gás de Propano Liquefeito). Mantenha sempre o rosto e o corpo o mais afastados possível do grelhador enquanto o acende.

Para acender o queimador principal, pressione e rode o botão de controlo do queimador principal até “⚡”, ao mesmo tempo, pressione e mantenha o botão de ignição eletrónica para acender o queimador. Assim que o queimador estiver aceso, solte o botão de ignição eletrónica e o botão de controlo. Se o queimador não acender, aguarde 5 minutos para que o gás em excesso se dissipe, e depois tente novamente.



Mantenha uma garrafa de spray com água e sabão perto da válvula de gás e verifique as conexões antes de cada uso.

Não tente acender o grelhador se detetar cheiro a gás. Ligue para o serviço de apoio ao cliente através dos números 0800-051-8916 (GB), 0800-908-612 (FR), 800-7601 (IS) ou 900-974-968 (ES). De segunda-feira a quinta-feira, das 7:30 às 17:00, sexta-feira, das 7:30 às 14:00, GMT+2. Idiomas falados: Inglês, Francês e Espanhol.

Também pode contactar-nos por e-mail em: ServiceEU@grillservices.com.

Cada queimador é ajustado antes do envio; no entanto, variações no fornecimento local de gás podem tornar necessários pequenos ajustes.

⚠ **PRECAUÇÕES**

Coloque a tampa de proteção na saída da válvula do cilindro quando este não estiver a ser utilizado. Apenas instale o tipo de tampa de proteção que vem com a válvula do cilindro na saída da mesma. Qualquer outro tipo de tampas ou tampões pode provocar fugas de propano.

O fornecimento de gás deve ser desligado no cilindro quando a unidade não estiver a ser utilizada.

Se o aparelho for armazenado num espaço interior, deve-se desligar e remover o cilindro do aparelho. Os cilindros devem ser armazenados no exterior, num local bem ventilado e fora do alcance das crianças.

CUIDADOS E MANUTENÇÃO

AÇO INOXIDÁVEL

Existem vários produtos de limpeza para aço inoxidável disponíveis. Utilize sempre o método de limpeza mais suave primeiro, esfregando no sentido do veio do aço. Não utilize lâ de aço, pois risca a superfície. Para retocar riscos visíveis no aço inoxidável, lixe suavemente com uma lixa de grão 100 seca, no sentido do veio. Manchas de gordura podem acumular-se nas superfícies do aço inoxidável, aderindo e dando uma aparência de ferrugem. Para removê-las, use uma esponja abrasiva suave juntamente com um produto de limpeza para aço inoxidável.

GRELHA DA CHURRASQUEIRA

A forma mais fácil de limpar a grelha é imediatamente após terminar de cozinhar e depois de desligar a chama. Use uma luva de churrasco para proteger a mão do calor e do vapor. Utilize uma ferramenta de limpeza da grelha resistente ao calor e desenhada para limpar superfícies quentes. Aplique água ou outros líquidos de limpeza diretamente às grelhas da churrasqueira ou à ferramenta de limpeza para facilitar o processo de limpeza. Se deixar a grelha arrefecer antes de limpar, o processo será mais difícil.

CERTIFIQUE-SE DE QUE O FORNECIMENTO DE GÁS ESTÁ DESLIGADO E QUE OS BOTÕES ESTÃO NA POSIÇÃO "O". ASSEGURE-SE DE QUE O QUEIMADOR SUPERIOR DO FOGÃO ESTÁ FRIO ANTES DE O REMOVER.

QUEIMADORES DA CHURRASQUEIRA

Deve ter extremo cuidado ao mexer no queimador, pois deve estar corretamente centrado no orifício antes de tentar reacender a grelha. A frequência da limpeza dependerá da utilização da grelha.

LIMPEZA DO QUEIMADOR PRINCIPAL

Certifique-se de que o fornecimento de gás está desligado e que os botões estão na posição "O". Verifique se a grelha está fria. Limpe o exterior do queimador com uma escova de arame. Remova a sujidade resistente com uma espátula metálica. Desobstrua os orifícios entupidos com um clipe de papel endireitado. Nunca use um palito de madeira, pois pode partir-se e entupir o orifício. Se observar que insetos ou outras obstruções estão a bloquear o fluxo de gás no queimador, deverá contactar a nossa linha de apoio ao cliente pelo número 1-800-913-8999.

LIMPEZA DA BANDEJA DE GORDURA

A bandeja de gordura deve ser esvaziada e limpa regularmente, lavando-a com uma solução de detergente suave e água morna. Pode colocar uma pequena quantidade de areia no fundo da bandeja de gordura para absorver a gordura. Verifique frequentemente a bandeja de gordura, não permita que o excesso de gordura se acumule ou transborde.

⚠ CUIDADO

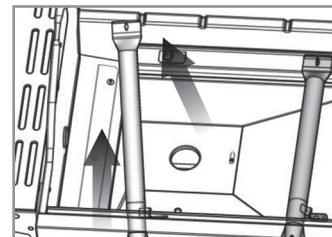
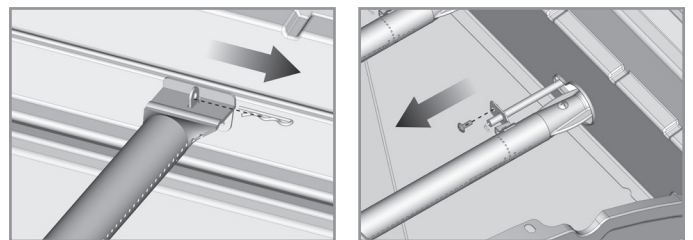
- Mantenha a área da churrasqueira limpa e livre de materiais combustíveis, gasolina e outros vapores e líquidos inflamáveis.
- Não obstrua o fluxo de ar de combustão e ventilação.
- Mantenha as aberturas de ventilação do compartimento do cilindro livres e desobstruídas.

⚠ AVISO

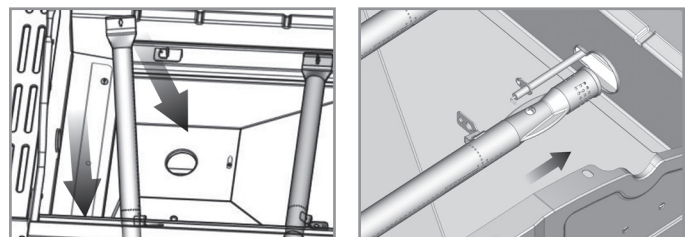
Se pretender substituir o queimador principal, recomendamos que contrate um técnico profissional para tal. Entenda que não nos responsabilizamos por quaisquer danos pessoais ou materiais decorrentes de uma montagem incorreta do queimador.

COMO SUBSTITUIR O QUEIMADOR PRINCIPAL

Passo 1. Remova o pino "R" do queimador principal na parede traseira da câmara de fogo usando um alicate de bico fino. Utilize uma chave de fendas de cabeça plana para retirar a tampa do pino do queimador e, em seguida, remova o queimador da câmara de combustão, conforme ilustrado abaixo.

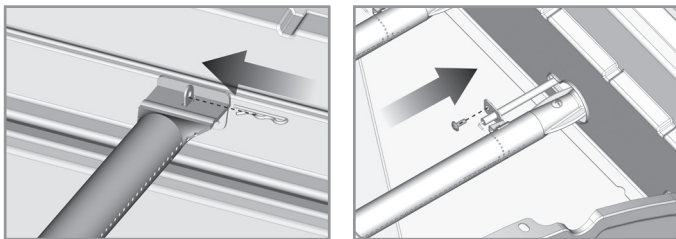


Passo 2. Insira o queimador no orifício e prenda a tampa do pino do queimador, conforme ilustrado abaixo. Certifique-se de que o furo do queimador esteja direcionado para o orifício.



Passo 3. Prenda o queimador principal na parede traseira da câmara de combustão com o pino "R". Utilize uma chave de

fendas para instalar o pino do queimador. Kiinnitä polttimen nasta ruuvimeisselillä.



RESOLUÇÃO DE PROBLEMAS

AVISO SOBRE ARANHAS E INSETOS

Verifique e limpe os queimadores e tubos venturi para remover insetos e ninhos. Um tubo entupido pode causar um incêndio debaixo da grelha. Embora um tubo de queimador obstruído não seja a única causa de “RETROCESSO”, é a mais comum.

Para reduzir a possibilidade de “RETROCESSO”, deve limpar os tubos do queimador antes de montar a grelha e pelo menos uma vez por mês no final do verão ou início do outono, quando as aranhas estão mais ativas. Realize também este procedimento de limpeza se a grelha não for usada por um período prolongado.

QUANDO VERIFICAR A PRESENÇA DE ARANHAS

Inspecione os queimadores pelo menos uma vez por ano ou imediatamente após ocorrer alguma das situações seguintes:

- O cheiro a gás juntamente com as chamas do queimador com aparência amarelada.
- A grelha não atinge a temperatura.
- A grelha aquece de forma desigual.
- Os queimadores fazem barulhos de estalo.

ANTES DE CONTACTAR O SERVIÇO TÉCNICO

Se a grelha não funcionar corretamente, consulte a secção 'Resolução de Problemas' abaixo antes de contactar o seu revendedor para assistência técnica. Dessa forma poderá poupar o custo de uma chamada técnica.

AQUECIMENTO PRÉVIO: A tampa da grelha deve estar fechada durante o pré-aquecimento. É necessário pré-aquecer a grelha antes de cozinhar determinados alimentos, consoante o tipo de alimento e a temperatura de confeção. Alimentos que requerem uma temperatura alta de cozedura precisam de um período de pré-aquecimento de cinco minutos; já os alimentos que exigem uma temperatura mais baixa necessitam apenas de dois a três minutos.

KYPSENNYASTEET

Configuração alta: Use este ajuste para aquecimento rápido, selar bifés e costeletas, e para grelhar.

Configuração baixa: Use esta configuração para assar, cozer no forno e cozinhar cortes magros como o peixe.

Estas temperaturas variam conforme a temperatura exterior e a intensidade do vento.

Cozedura com calor indireto: Pode cozinhar aves e grandes cortes de carne lentamente e na perfeição numa parte da grelha, utilizando o calor indireto do queimador do lado oposto. O calor do queimador aceso circula suavemente pela grelha, cozinhando a carne ou ave sem chama direta a tocar nela. Este método reduz significativamente as labaredas ao cozinhar cortes mais gordos, uma vez que não há chama direta para acender as gorduras e sucos que caem durante a cozedura.

⚠ CUIDADO

Se os queimadores se apagarem durante o funcionamento, feche a fonte de gás e desligue todas as válvulas de gás. Abra a tampa e aguarde cinco minutos antes de tentar reacender (isso permite que os gases acumulados se dissipem).

⚠ CUIDADO

Se ocorrer um incêndio provocado pela gordura, feche a fonte de gás, desligue todos os queimadores e mantenha a tampa fechada até que o fogo se extinga.

⚠ CUIDADO

NÃO tente desligar qualquer ligação de gás enquanto o seu grelhador estiver em funcionamento. Como em todos os aparelhos, a manutenção adequada preserva o bom funcionamento e prolonga a vida útil. A sua grelha a gás não é exceção.

⚠ CUIDADO

NÃO utilize o queimador lateral de selagem com a tampa fechada. Se a sua grelha tiver tampa no queimador lateral de selagem, esta pode ficar extremamente quente e causar queimaduras se usada fechada. Mantenha sempre a tampa aberta enquanto o queimador estiver em uso.

RESOLUÇÃO DE PROBLEMAS

COMO REINICIAR O DISPOSITIVO DE SEGURANÇA DO REGULADOR

O regulador possui uma função de segurança que limita o fluxo de gás se for detetada uma fuga. Às vezes, essa função pode ativar-se mesmo quando não há fuga.

Nollataksesi sen:

1. Desligue todos os botões dos queimadores e feche a válvula do cilindro de gás LP.
2. Desconecte o regulador do cilindro de gás LP.
3. Abra a tampa da grelha.
4. Coloque todos os botões dos queimadores na posição alta (posição 9 horas) e aguarde 1 minuto.
5. Após um minuto, desligue todos os queimadores.
6. Reconecte o regulador ao cilindro de gás LP.
7. Abra lentamente a válvula do cilindro de gás LP até o fim.
8. Acenda os queimadores e verifique se a grelha aquece normalmente.

PROBLEMA	SOLUÇÃO
Ao tentar acender o grelhador, este não acende imediatamente.	<ul style="list-style-type: none"> • Ao acender a grelha, certifique-se de que vê uma faísca na base dos queimadores. Se não vir faísca, verifique se a bateria está instalada e posicionada corretamente no sistema de ignição. • Certifique-se de que o fio está conectado ao conjunto do eletrodo. • Limpe os fios e/ou o eletrodo com álcool isopropílico e um cotonete limpo. Limpe com um pano limpo. • Verifique se os outros queimadores funcionam. Se sim, verifique se o orifício de gás no queimador com problemas está obstruído.
O regulador faz ruídos.	<ul style="list-style-type: none"> • A mangueira de ventilação do regulador pode estar bloqueada ou o próprio regulador pode estar defeituoso. Certifique-se de que o buraco de ventilação no regulador não está obstruído. Desobstrua o buraco, feche as válvulas de controlo do gás. Espere dez minutos e reinicie. • Verifique as chamas para garantir que estão a funcionar corretamente. As chamas devem ser azuis com pontas amarelas. Se as chamas não parecerem normais, consulte as Instruções de Reinício do Regulador abaixo.
A capa de tamanho completo não encaixa no	<ul style="list-style-type: none"> • Meça o seu grelhador antes de comprar uma capa. Certifique-se de incluir a largura total (prateleiras laterais e manípulos), altura e profundidade. • Se a capa parecer apertada no início, coloque-a num ambiente quente ou ao sol para amaciar. Depois, encaixe-a sobre a grelha começando por um lado e puxando-a pelo outro.
A grelha aquece apenas até 93-149 °C / 200-300 °F.	<ul style="list-style-type: none"> • Verifique se a mangueira de combustível está dobrada ou torcida. • Assegure-se de que a área da grelha está livre de pó. • Certifique-se de que o queimador e os orifícios estão limpos. • Verifique a presença de aranhas e insetos. • O regulador possui uma função de segurança que limita o fluxo de gás se for detetada uma fuga. Às vezes, essa função pode ativar-se mesmo quando não há fuga. Para fazer com que a sua grelha funcione novamente, consulte “Reiniciar o seu Dispositivo de Segurança do Regulador” acima para instruções passo a passo
A grelha demora muito a pré-aquecer.	<ul style="list-style-type: none"> • O pré-aquecimento normal, entre 260-316°C / 500-600°F, demora cerca de 10 a 15 minutos. O frio e o vento podem afetar o tempo de pré-aquecimento.
As chamas do queimador não são azul claro.	<ul style="list-style-type: none"> • Ar em excesso ou insuficiente para a chama. • A altitude é a principal causa, embora o tempo frio também possa afetar a mistura. Pode ser necessário ajustar o queimador. • O grelhador está numa localização ventosa. • Reinicie o dispositivo de segurança do regulador. Veja as instruções abaixo.

ENCOMENDA DE PEÇAS

COMO ENCOMENDAR PEÇAS DE SUBSTITUIÇÃO

Para garantir que obtém as peças de substituição corretas para o seu grelhador a gás, consulte a lista de peças. Certifique-se de que tem toda a informação necessária ao fazer a encomenda. Por favor, note: os clientes são responsáveis por todos os custos de envio associados às entregas de peças de substituição.

- Número do modelo do grelhador a gás (consulte a etiqueta de dados no grelhador).
- Número da peça de substituição necessária.
- Descrição da peça de substituição necessária.
- Quantidade de peças necessárias.

Para encomendar peças de substituição, ligue para a nossa linha de apoio ao cliente através do número.

+49 5251 875 6174 | ServiceDE@nexgrill.de (DE)

+45 60 20 60 71 | ServiceDK@nexgrill.com (DK)

IMPORTANTE

Utilize sempre peças autorizadas pela fábrica. O uso de peças não autorizadas pode ser perigoso e anulará a sua garantia. Guarde este manual de montagem e operação para fácil consulta e para auxiliar na encomenda de peças de substituição.

GARANTIA LIMITADA

O fabricante garante ao comprador original que este produto (Modelo #720-0925PS) estará isento de defeitos de fabricação e de materiais, desde que montado corretamente e utilizado em condições normais e razoáveis em ambiente doméstico, durante os períodos indicados abaixo, a contar da data de compra. O fabricante reserva-se o direito de exigir prova fotográfica dos danos, ou que as peças defeituosas sejam devolvidas, com portes e/ou transporte pré-pagos pelo consumidor, para revisão e exame. A obrigação da Megamaster limita-se à reparação, substituição ou indenização pelo valor depreciado, conforme decisão da Megamaster.

- **QUEIMADORES TUBULARES:** Garantia LIMITADA de 5 anos contra perfuração.
- **GRELHAS DE COZEDURA e DEFLETORES DE CHAMA:** Garantia LIMITADA de 1 ano; não cobre quedas, lascados, riscos ou danos na superfície.
- **PEÇAS EM AÇO INOXIDÁVEL:** Garantia LIMITADA de 1 ano contra perfuração; não cobre questões estéticas como corrosão superficial, riscos e ferrugem.
- **TODAS AS OUTRAS PEÇAS:** Garantia LIMITADA de 1 ano (Inclui, mas não se limita a, válvulas, estrutura, carcaça, carrinho, painel de controle, ignição, regulador, mangueiras), *Não cobre lascas, arranhões, fissuras, corrosão superficial ou ferrugem.

Após o consumidor apresentar prova de compra conforme indicado, o fabricante reparará ou substituirá as peças que se revelarem defeituosas durante o período de garantia aplicável. As peças necessárias para completar a reparação ou substituição serão fornecidas gratuitamente, exceto os custos de envio, desde que o comprador esteja dentro do período de garantia a partir da data original da compra. O consumidor original será responsável por todos os custos de envio das peças substituídas ao abrigo desta garantia limitada. Esta garantia limitada é válida somente nos Estados Unidos e Canadá, destina-se apenas ao proprietário original do produto e não é transferível. O fabricante requer uma prova razoável da sua data de compra. Por isso, deve conservar o talão de compra e/ou fatura. Se a unidade foi recebida como presente, por favor peça ao ofertante para enviar o talão em seu nome, para o endereço abaixo. Peças defeituosas ou em falta abrangidas por esta garantia limitada não serão substituídas sem registo ou prova de compra. Esta garantia limitada aplica-se apenas ao funcionamento do produto e não cobre problemas estéticos como riscos, amolgadelas, corrosão ou descoloração provocada por calor, produtos abrasivos ou químicos, quaisquer ferramentas usadas na montagem ou instalação do aparelho, ferrugem superficial, ou descoloração das superfícies em aço inoxidável. Ferrugem superficial, corrosão ou descascamento da pintura em pó nas partes metálicas que não afetem a integridade estrutural do produto não são considerados defeitos de fabrico ou material e não estão cobertos por esta garantia. Esta garantia limitada não reembolsará o cliente pelos custos relacionados com incómodo, alimentação, danos pessoais ou danos materiais. Se uma peça original de substituição não estiver disponível, será enviada uma peça equivalente. Você será responsável por todos os custos de envio das peças substituídas ao abrigo desta garantia limitada.

O FABRICANTE NÃO PAGA POR:

- Chamadas de assistência técnica ao domicílio.
- Reparações quando o produto for utilizado para fins diferentes do uso residencial normal em habitação unifamiliar.
- Danos resultantes de acidentes, alterações, uso indevido, falta de manutenção/limpeza, abuso, fogo, inundações ou catástrofes naturais, instalação incorreta e instalação que não esteja em conformidade com os códigos elétricos ou hidráulicos, ou uso impróprio do produto.
- Qualquer perda de alimentos devido a falhas do produto.
- Custos de peças de substituição ou de mão de obra para unidades operadas fora dos Estados Unidos ou Canadá.
- A recolha e a entrega do seu produto.
- Taxas de correio ou de processamento de fotos para fotografias enviadas como documentação.
- Reparações de peças ou sistemas resultantes de modificações não autorizadas feitas ao produto.
- A remoção e/ou a reinstalação do produto.
- Custos de envio, normais ou expresso, para peças com garantia, sem garantia ou de substituição.

ISENÇÃO DE GARANTIAS IMPLÍCITAS; LIMITAÇÃO DE RECURSOS:

A reparação ou substituição de peças defeituosas é o seu único recurso ao abrigo desta garantia limitada. O fabricante não se responsabiliza por quaisquer danos consequentes ou acidentais decorrentes do incumprimento desta garantia limitada ou de qualquer garantia implícita aplicável. Também não responde por falhas ou danos resultantes de forças da natureza, cuidados e manutenção inadequados, incêndios por gordura, acidentes, alterações, substituição de peças por terceiros que não o fabricante, uso indevido, transporte, uso comercial, abuso, ambientes hostis (condições meteorológicas adversas, forças da natureza, interferência de animais), instalação incorreta ou instalação que não cumpra os códigos locais ou as instruções impressas do fabricante.

ESTA GARANTIA LIMITADA CONSTITUI A ÚNICA GARANTIA EXPRESSA CONFERIDA PELO FABRICANTE. NENHUMA ESPECIFICAÇÃO OU DESCRIÇÃO DE DESEMPENHO DO PRODUTO, EM QUALQUER LOCAL QUE APAREÇA, É GARANTIDA PELO FABRICANTE, EXCETO NA MEDIDA ESTABELECIDA NESTA GARANTIA LIMITADA. QUALQUER GARANTIA IMPLÍCITA DECORRENTE DAS LEIS DE QUALQUER JURISDIÇÃO, INCLUINDO A GARANTIA IMPLÍCITA DE COMERCIALIZAÇÃO OU ADEQUAÇÃO PARA UM PROPÓSITO OU USO ESPECÍFICO, FICA POR ESTA VIA LIMITADA NA SUA DURAÇÃO À DURAÇÃO DESTA GARANTIA LIMITADA.

Nem os revendedores nem as lojas de retalho que vendem este produto têm autoridade para fornecer garantias adicionais ou prometer soluções que contradigam ou ultrapassem as aqui estabelecidas. A responsabilidade máxima do fabricante, em qualquer caso, não excederá o preço de compra documentado do produto pago pelo consumidor original. Esta garantia aplica-se apenas às unidades adquiridas através de um revendedor autorizado ou distribuidor autorizado. NOTA: Alguns estados não permitem a exclusão ou limitação de danos acidentais ou consequenciais, pelo que algumas das limitações ou exclusões acima poderão não se aplicar a si; esta garantia limitada concede-lhe direitos legais específicos conforme aqui estabelecidos. Poderá ainda ter outros direitos que variam de estado para estado.

Se quiser exercer qualquer direito ao abrigo desta garantia limitada, escreva para: **Karl-Schurz Strasse 25
Martinsen Nordic A/A
Eksportvej 7 - 8870 Langå
Denmark - CVR 27771025**

Pergunta?

+49 5251 875 6174 | ServiceDE@nexgrill.de (DE)
+45 60 20 60 71 | ServiceDK@nexgrill.com (DK)

INSTRUCCIONES DE SEGURIDAD

⚠ PELIGRO

Si hueles a gas:

- Cierra el paso de gas al aparato.
- Apaga cualquier llama abierta.
- Abre la tapa.
- Si el olor persiste, manténgase alejado del aparato y llame inmediatamente a su proveedor de gas o a los bomberos.

⚠ ADVERTENCIA

- No almacene ni utilice gasolina u otros líquidos o vapores inflamables en las cercanías de este o cualquier otro aparato.
- Un cilindro de gas licuado de petróleo que no esté conectado para su uso no debe almacenarse cerca de este o cualquier otro aparato.

⚠ ADVERTENCIA

Para reducir el riesgo de incendio y descarga eléctrica, lesiones a personas o daños: al utilizar el aparato de cocción a gas al aire libre, siga las precauciones básicas, incluyendo las siguientes:

- USO EN EXTERIORES ÚNICAMENTE.
- Lee las instrucciones antes de usar el aparato.
- ADVERTENCIA: Las piezas accesibles pueden estar muy calientes. Mantenga a los niños pequeños alejados.
- No mueva el aparato durante su uso.
- Si el aparato se almacena en interiores, se debe desconectar y retirar el cilindro de gas.
- Revise y limpie los tubos del quemador/Venturi para detectar insectos y nidos de insectos..

SISTEMA DE SUMINISTRO DE CILINDROS DE GAS LICUADO DE PETRÓLEO

- Los cilindros de gas deben almacenarse al aire libre, en un área bien ventilada y fuera del alcance de los niños.
- No almacene cilindros de gas en un edificio, garaje o cualquier área cerrada.
- El sistema de suministro de cilindros de gas debe estar preparado para la extracción de vapor.
- El cilindro de gas debe incluir un collar para proteger la válvula del cilindro.
- Nunca conecte un cilindro de gas sin regular a su parrilla de gas.
- Sólo deben utilizarse el regulador de presión y el conjunto de mangueras suministrados con la parrilla. Cualquier regulador de presión y conjunto de manguera de repuesto debe cumplir con la norma EN 16129:2013 y la regulación nacional.
- La manguera flexible utilizada, que no debe superar 1,50 metros de longitud, debe cumplir con la norma EN 16436-1:2014+A3:2020.
- Esta parrilla está configurada para gas licuado de petróleo. No utilices un suministro de gas natural.
- Inspeccione la manguera de suministro del cilindro de gas antes de cada uso del aparato de cocción a gas al aire libre. Si la manguera muestra abrasión o desgaste excesivo, o está cortada, DEBE reemplazarse antes de usar el aparato de cocción a gas al aire libre.
- Si se detecta una fuga, cierre la válvula del cilindro, desconecte la línea de combustible de la parrilla y no la utilice.
- Contacte a su distribuidor y utilice únicamente mangueras de repuesto especificadas para su uso con el aparato de cocción a gas al aire libre.
- Un regulador de presión de repuesto y un conjunto de manguera específicos para su modelo está disponible en su distribuidor.
- Revise siempre las conexiones para detectar fugas cada vez que conecte y desconecte el cilindro de suministro de gas. Consulte la sección "REQUISITOS DE CONEXIÓN DE GAS".
- Se recomienda cambiar la manguera flexible cuando las condiciones lo requieran.
- Asegúrese de que la manguera de gas no esté sometida a torceduras.

PRÁCTICAS DE SEGURIDAD PARA EVITAR LESIONES PERSONALES

- Este aparato debe mantenerse alejado de materiales inflamables durante su uso.
- Mantenga el área del aparato de cocción a gas al aire libre limpia y libre de materiales combustibles, gasolina u otros vapores y líquidos inflamables.
- No obstruya el flujo de aire de combustión y ventilación. Mantenga las aberturas de ventilación del área de almacenamiento libres de residuos.
- El aparato de cocción a gas al aire libre no debe ubicarse debajo de construcciones combustibles sin protección.
- Este aparato a gas para cocinar al aire libre debe utilizarse únicamente en exteriores y no debe usarse en edificios, garajes ni en ninguna otra área cerrada.

INSTRUCCIONES DE SEGURIDAD

Si no se sigue exactamente la siguiente información, podría producirse un incendio que cause la muerte o lesiones graves.

- No guarde un cilindro de gas de repuesto debajo o cerca de este aparato a gas para cocinar al aire libre.
- Nunca llene el cilindro de gas más del 80 por ciento de su capacidad.
- Al cambiar el cilindro de gas, asegúrese de estar lejos de cualquier fuente de ignición.
- LIMPIE LA PARRILLA ANTES DE CADA USO PARA EVITAR LA ACUMULACIÓN DE GRASA Y REDUCIR EL RIESGO DE INCENDIOS POR GRASA.
- Este aparato estará caliente durante y después de su uso. Utilice guantes o manoplas aislantes para horno para protegerse de las superficies calientes o de las salpicaduras de líquidos de cocción.
- Las piezas selladas por el fabricante no deben ser alteradas por el usuario. No modifique el aparato. Cualquier modificación del aparato puede ser peligrosa.
- Cierre el suministro de gas en el cilindro después de su uso.
- Cuando el aparato a gas para cocinar al aire libre no esté en uso, se debe cerrar el suministro de gas en el cilindro de suministro.
- No instale aparatos de cocina a gas portátiles o empotrados para exteriores en o sobre un vehículo recreativo, remolque portátil, bote o cualquier otra instalación en movimiento.
- Mantenga siempre las distancias mínimas respecto de las construcciones combustibles; consulte la sección "Requisitos de ubicación" en la página 4. Keep any electrical supply cord and fuel supply hose away from any heated surfaces.
- Mantenga cualquier cable de suministro eléctrico y manguera de suministro de combustible lejos de cualquier superficie caliente.
- Guarde el aparato en un lugar seco y fresco cuando no se utilice en un período de tiempo.

⚠ ADVERTENCIA
No intente encender este aparato sin leer la sección "INSTRUCCIONES DE ENCENDIDO" de este manual.

PROBADO DE ACUERDO CON LAS NORMAS EN 498 Y EN 484 PARA APARATOS DE GAS PARA COCINAR AL AIRE LIBRE. ESTA PARRILLA ES SÓLO PARA USO ENC EXTERIORES.

NOTA: El flujo normal de gas a través del regulador y el conjunto de mangueras puede generar un zumbido. Un volumen bajo de ruido es perfectamente normal y no interferirá con el funcionamiento de la parrilla. Si el zumbido es fuerte y excesivo, puede que necesite purgar el aire de la línea de gas o reiniciar el dispositivo regulador de exceso de flujo de gas. Este procedimiento de purga debe realizarse cada vez que se conecte un nuevo cilindro de gas licuado de petróleo a su parrilla.

- El tamaño de sartén adecuado para usar en el quemador lateral es de entre 18 y 22 cm (7 y 8,6 pulgadas) de diámetro.
- No coloque objetos pesados sobre la mesa auxiliar. El peso máximo es de 5 kg (11 lb).

SELECCION

Seleccione una ubicación que proporcione la mínima exposición al viento y al tráfico. La ubicación debe estar alejada de zonas con fuertes corrientes de aire. No obstruya el flujo de aire de combustión y ventilación. Distancia respecto a las construcciones combustibles para la parrilla:

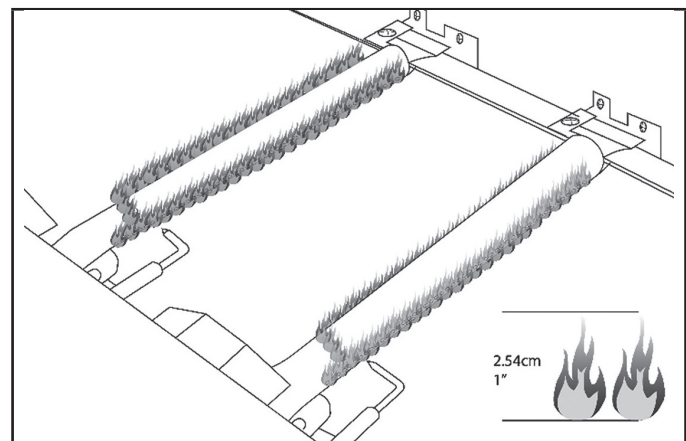
- Se debe mantener un mínimo de 1 metro entre la parte delantera de la cubierta de la parrilla, los lados y la parte trasera de la parrilla y cualquier construcción combustible.
- También se debe mantener un espacio libre mínimo de 1 metro debajo de la superficie de cocción, y no se debe utilizar la parrilla debajo de una construcción combustible elevada.
- Mantenga una distancia de 3 metros de objetos que puedan incendiarse o fuentes de ignición, como luces piloto de calentadores de agua, electrodomésticos activos, etc.

⚠ ATENCIÓN: CUIDADO CON LOS RETROCESOS DE LLAMA.

ATENCIÓN: Arañas y pequeños insectos ocasionalmente tejen telarañas o hacen nidos en los tubos de quemadores de la parrilla durante el tránsito y el almacenamiento. Estas telarañas pueden causar una obstrucción en el flujo de gas, lo que podría provocar un incendio en y alrededor de los tubos de los quemadores. Este tipo de incendio se conoce como "FLASH-BACK" y puede causar daños graves a su parrilla y generar una condición de funcionamiento insegura para el usuario.

Aunque un tubo de quemador obstruido no es la única causa del "FLASH-BACK", sí es la más común.

Para reducir la posibilidad de "FLASH-BACK", debe limpiar los tubos del quemador antes de ensamblar su parrilla, y al menos una vez al mes a fines del verano o principios del otoño, cuando las arañas están más activas. Realice también este procedimiento de limpieza de los tubos del quemador si su parrilla no se ha utilizado durante un período prolongado. Un tubo obstruido puede provocar un incendio debajo de la parrilla.



COMPROBAR Y AJUSTAR QUEMADORES

Los quemadores están probados y configurados de fábrica para un funcionamiento eficiente. Sin embargo, las variaciones en el suministro de gas y otras condiciones pueden requerir pequeños ajustes en el obturador de aire o en la configuración de llama baja.

- Comprueba visualmente las llamas del quemador. Deben ser azules. Es normal que el gas propano tenga una ligera coloración amarilla en las puntas. Las llamas deben tener aproximadamente 2,5 cm (1 pulg.) de altura.
- Comprobar y ajustar las llamas de los quemadores de la parrilla requiere retirar las rejillas y los reguladores de llama.
- Se recomienda que un profesional cualificado realice los ajustes del quemador.

Asegúrate de que los quemadores no estén bloqueados por suciedad, residuos o nidos de insectos, y límpialos si es necesario. Si están limpios, ajusta las compuertas de aire según sea necesario.

PRESIONES Y ESPECIFICACIONES DEL GAS EN EUROPA

Fabricante	Global Leisure Group Deutschland GmbH Karl-Schurz Strasse 25, 33100 Paderborn, Deutschland				
Modelo	720-0925PS				
Categoría del aparato	I3+(28-30/37)	I3B/P(30)	I3B/P(37)	I3B/P(50)	
Tipo de gas	Butane	Propane	Butane, Propane or their mixture		
Presión de gas (mbar)	28-30	37	28-30	37	50
Tamaño del inyector del quemador principal (Ø mm)	0.85/1.02		0.85/1.02	0.81/0.94	0.76/0.84
Potencia térmica nominal (Hs) (kW)	Total: 13.19				
Consumo de gas (g/h) (total)	Butane - Total: 1012				
	Propane - Total: 933				

NOTE:

- Utiliza un regulador de 30 milibares y su correspondiente tamaño de inyector para butano/propano de la categoría I3B/P(30).
- Utiliza el regulador de 30 milibares y su correspondiente tamaño de inyector para el butano de la categoría I3+(28- 30/37).
- Utiliza el regulador de 37 milibares y su correspondiente tamaño de inyector para el butano de la categoría I3+(28- 30/37).
- Utiliza un regulador de 50 milibares y su correspondiente tamaño de inyector para butano/propano de la categoría I3B/P(50).

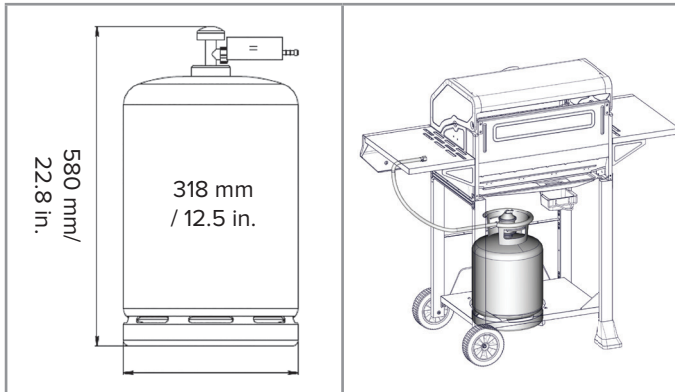
La marca en el inyector indica el tamaño del inyector. Por ejemplo, "0,90" significa que el tamaño del inyector es de 0,90 mm.

Country	Gas Type	Pressure
BE, CH, CY, CZ, ES, FR, GB, GR, IE, IT, LT, LU, LV, PT, SI, SK, TR	I3+	28-30/37 mbar
BE, BG, CY, CZ, DK, EE, FI, FR, GB, HR, HU, IS, IT, LT, LU, LV, MT, NL, NO, RO, SE, SI, SK	I3B/P	28-30 mbar
PL	I3B/P	37 mbar
AT, CH, DE, SK, LU	I3B/P	50 mbar
*Country codes are in accordance with EN ISO 3166-1:2006.		

REQUISITOS DE CONEXIÓN DE GAS

CILINDRO DE COMBUSTIBLE DE GAS LICUADO DE PETRÓLEO

Utilice únicamente cilindros de gas con una capacidad mínima de 5 kg (11 lb) y una capacidad máxima de 15 kg (33 lb). El tamaño máximo del cilindro de gas que se puede utilizar es de aproximadamente 318 mm (12,5 pulg.) de diámetro por 580 mm (22,8 pulg.) de altura. Se suministra un conjunto de regulador de presión de gas y manguera.



REQUISITOS DE LOS CILINDROS DE GAS LICUADO DE PETRÓLEO

Un cilindro de gas abollado u oxidado puede ser peligroso y debe ser revisado por su proveedor de cilindros de gas licuado de petróleo. Nunca utilices un cilindro de gas con una válvula dañada. Coloca la tapa antipolvo en la salida de la válvula del cilindro siempre que no se use. Instala solamente el tipo de tapa antipolvo en la salida de la válvula del cilindro de gas que se proporciona con el cilindro. Otros tipos de tapas o tapones pueden provocar fugas de gas.

CONEXIÓN DE GAS LICUADO DE PETRÓLEO

Asegúrate de que los ojales de plástico negros en la válvula del cilindro de gas estén bien colocados y que la manguera no entre en contacto con la bandeja de grasa ni con el cabezal de la parrilla.

CONEXIÓN

⚠ IMPORTANTE

- Se debe comprar por separado un cilindro de gas combustible.
- El conjunto de regulador de presión/manguera de gas suministrado con la parrilla debe utilizarse. El conjunto de regulador de presión de gas/manguera de repuesto específico para su modelo está disponible a través de su distribuidor de parrillas para exteriores.
- Está prohibido colocar el cilindro de gas en el panel inferior del aparato.

PARA CONECTAR EL CILINDRO DE GAS:

- Verifica que el cilindro de gas esté en la posición "OFF". En

- caso contrario, gire la válvula en el sentido de las agujas del reloj hasta que se detenga.
- Comprueba que las perillas de control del quemador estén en la posición "OFF".
- Retira cualquier residuo e inspecciona las conexiones de la válvula, el puerto y el conjunto de manguera/regulador de presión de gas para ver si hay daños. Nunca intentes utilizar equipos dañados u obstruidos. Consulta a tu distribuidor local de gas propano para reparaciones.

NOTA: Mantén siempre el cilindro de gas en posición vertical (90°) para facilitar la extracción de vapor.

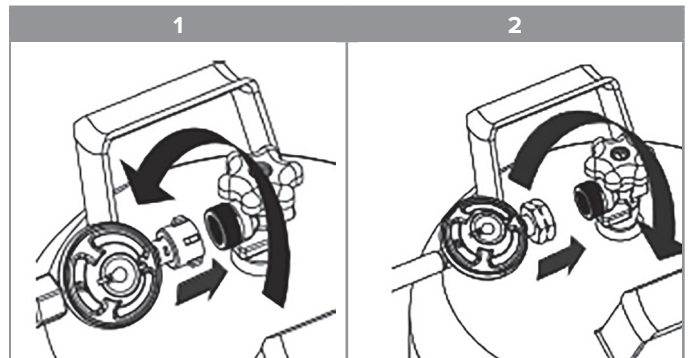
Algunos reguladores pulsan ON para conectar y tiran OFF para desconectar, mientras que otros tienen una tuerca con rosca hacia la izquierda o la derecha que se conecta a la válvula del cilindro. IDENTIFIQUE SU TIPO DE REGULADOR Y SIGA LAS INSTRUCCIONES DE CONEXIÓN ESPECÍFICAS PARA ESE REGULADOR.

1. Conectar girando en el sentido de las agujas del reloj

Atornille el regulador al cilindro de gas girando la tuerca de conexión en el sentido de las agujas del reloj.

2. Conectar girando en sentido contrario a las agujas del reloj

Enrosque el regulador en el cilindro de gas girando la tuerca de conexión en sentido contrario a las agujas del reloj.



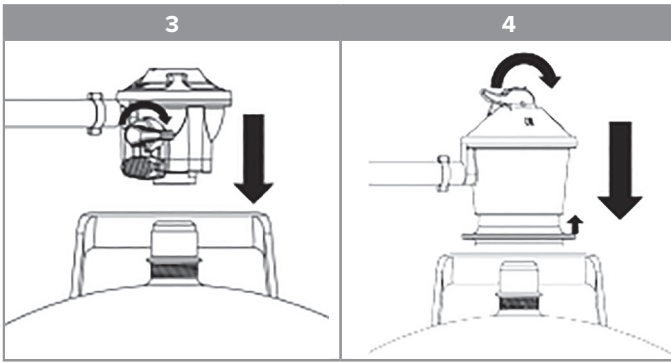
3. Conecte girando la palanca/encajándola en su posición

Gira la palanca del regulador en el sentido de las agujas del reloj hasta la posición OFF. Presione el regulador hacia abajo sobre la válvula del cilindro hasta que escuche un "clic". Compruebe que el regulador esté completamente bloqueado y en su lugar tirando suavemente hacia arriba. Si el regulador se desprende, repite el procedimiento.

4. Conectar mediante collar deslizante

Asegúrate de que la palanca del regulador está en la posición de apagado. Deslice el anillo de retención del regulador hacia arriba. Empuje el regulador hacia abajo sobre la válvula del cilindro y mantenga la presión hacia abajo sobre el regulador. Deslice el anillo de retención hacia abajo para bloquear el regulador en la válvula del cilindro. Comprueba que el regulador está asegurado. Si el regulador se desconecta, repite el procedimiento.

Nota: Si su parrilla no está equipada con un conjunto de manguera y regulador, consulte la tabla "Presiones y especificaciones de gas europeas" para aclarar la presión de gas del regulador y el



REQUISITOS DE CONEXIÓN DE GAS

Asegúrese de que el dispositivo de conexión de la válvula del cilindro de gas encaje correctamente con el dispositivo de conexión unido a la entrada del regulador de presión.

5. Abra el suministro de gas en la fuente siguiendo las instrucciones específicas de ese regulador.
 - **Regulador de rosca:** Gire el volante de la válvula, ubicado en el cilindro de gas, en sentido contrario a las agujas del reloj.
 - **Regulador con clip:** Sitúa la palanca del regulador en la posición ON.
6. Antes de encender la parrilla, pruebe todas las conexiones aplicando una solución de detección de fugas no corrosiva aprobada con un pincel. Las burbujas indicarán una fuga.
7. Si se encuentra una fuga, cierre la válvula del cilindro y no utilice la parrilla. Contacte con un técnico de gas calificado para realizar reparaciones.
8. Vaya a la sección "Comprobar y ajustar los quemadores".

PARA DESCONECTAR EL CILINDRO DE GAS COMBUSTIBLE:

1. Verifique que las perillas de control del quemador estén en la posición "OFF" y que la parrilla esté fría.
2. Verifique que el cilindro de gas combustible esté en la posición "OFF". En caso contrario, gire la válvula en el sentido de las agujas del reloj hasta que se detenga.
3. Identifica tu tipo de regulador. Cierre el suministro de gas en la fuente y desconecte el regulador del cilindro de gas siguiendo las instrucciones específicas para ese regulador.

- **Desconectar girando en sentido contrario a las agujas del reloj:** Gira el volante de la válvula, situado en el cilindro, en el sentido de las agujas del reloj. Desenrosque el regulador del cilindro de gas girando la tuerca de conexión en sentido contrario a las agujas del reloj.
 - **Desconectar girando en el sentido de las agujas del reloj:** Gire el volante de la válvula, ubicado en el cilindro de gas, en el sentido de las agujas del reloj. Desatornille el regulador del cilindro de gas girando la tuerca de conexión en el sentido de las agujas del reloj.
 - **Desconecte girando la palanca/encajándola en su posición:** Mueve la palanca del regulador a la posición OFF. Empuje la palanca del regulador hasta que se libere del cilindro de gas.
 - **Desconectar mediante collar deslizante:** Mueve la palanca del regulador a la posición OFF. Tire hacia arriba del anillo de retención para desconectar el regulador de la válvula del cilindro de gas. Levante el regulador para separarlo de la válvula del cilindro.
4. Coloque la tapa antipolvo en la salida de la válvula del cilindro de gas cuando el cilindro no esté en uso. Instale solo el tipo de tapa antipolvo en la salida de la válvula que se proporciona con la válvula del cilindro. Otros tipos de tapas o tapones pueden provocar fugas de gas licuado de petróleo.
 5. Deje que el cuerpo de la parrilla se enfríe al menos 30 minutos antes de intentar moverlo o transportarlo.

PRUEBA DE FUGAS

GENERAL

Aunque todas las conexiones de gas de la parrilla se prueban en la fábrica para detectar fugas antes del envío, se debe realizar una prueba completa de fugas de gas en el lugar de instalación debido a un posible manejo incorrecto durante el envío o una presión excesiva que se aplica de manera inconsciente a la unidad. Revise periódicamente todo el sistema para detectar fugas siguiendo los procedimientos que se enumeran a continuación. Si en cualquier momento detecta olor a gas, debe revisar inmediatamente todo el sistema para detectar fugas..

ANTES DE PROBAR

Asegúrese de retirar todo el material de embalaje de la parrilla, incluidas las correas de amarre.

NO FUME DURANTE LA PRUEBA DE FUGAS. NUNCA REALICE UNA PRUEBA DE FUGAS CON UNA LLAMA ABIERTA.

Prepare una solución jabonosa con una parte de detergente líquido y una parte de agua. Necesitará una botella rociadora, un cepillo o un trapo para aplicar la solución a los accesorios. Para la prueba de fugas inicial, asegúrese de que el cilindro de gas esté lleno al 80%.

PARA PROBAR

1. Asegúrese de que las válvulas de control estén en la posición "O" y abra el suministro de gas.
2. Verifique todas las conexiones desde el regulador de gas LP y la válvula de suministro hasta la conexión al conjunto de tuberías del colector (la tubería que va a los quemadores). Aparecerán burbujas de jabón donde haya una fuga.
3. Si hay una fuga, cierre inmediatamente el suministro de gas y ajuste las conexiones con fugas.
4. Vuelva a abrir el gas y verifique nuevamente.
5. Si continúa habiendo fugas de gas en alguna de las conexiones, cierre el suministro de gas y póngase en contacto con el servicio de atención al cliente en.

⚠ SIEMPRE COMPRUEBE SI HAY FUGAS DESPUÉS DE CADA CAMBIO DE CILINDRO DE GAS.

Revise todos los accesorios de suministro de gas para detectar fugas antes de cada uso. Es útil tener una botella rociadora con agua jabonosa cerca de la válvula de cierre de la línea de suministro de gas. Rocíe todos los accesorios. Las burbujas indican fugas

Sólo se deben utilizar en la parrilla aquellas piezas recomendadas por el fabricante. La sustitución anulará la garantía. No utilice la parrilla hasta que se hayan comprobado todas las conexiones y no haya fugas.

COMPROBACIÓN DEL FLUJO DE GAS.

Cada quemador de parrilla se prueba y ajusta en la fábrica antes del envío; sin embargo, las variaciones en el suministro de gas local pueden hacer que sea necesario ajustar los quemadores. Las llamas de los quemadores deben comprobarse visualmente. Las llamas deben ser azules y estables, sin puntas amarillas, ruido excesivo ni elevación. Si existe alguna de estas condiciones, verifique si el obturador de aire o los puertos del quemador están bloqueados por suciedad, residuos, telarañas, etc. Si tiene alguna pregunta sobre la estabilidad de la llama, llame al servicio de atención al cliente.

⚠ SIEMPRE COMPRUEBE SI HAY FUGAS DESPUÉS DE CADA CAMBIO DE CILINDRO DE GAS.

Revise todos los accesorios de suministro de gas para detectar fugas antes de cada uso. Es útil tener una botella rociadora con agua jabonosa cerca de la válvula de cierre de la línea de suministro de gas. Rocíe todos los accesorios. Las burbujas indican fugas

Sólo se deben utilizar en la parrilla aquellas piezas recomendadas por el fabricante. La sustitución anulará la garantía. No utilice la parrilla hasta que se hayan comprobado todas las conexiones y no haya fugas.

COMPROBACIÓN DEL FLUJO DE GAS.

Cada quemador de parrilla se prueba y ajusta en la fábrica antes del envío; sin embargo, las variaciones en el suministro de gas local pueden hacer que sea necesario ajustar los quemadores. Las llamas de los quemadores deben comprobarse visualmente. Las llamas deben ser azules y estables, sin puntas amarillas, ruido excesivo ni elevación. Si existe alguna de estas condiciones, verifique si el obturador de aire o los puertos del quemador están bloqueados por suciedad, residuos, telarañas, etc. Si tiene alguna pregunta sobre la estabilidad de la llama, llame al servicio de atención al cliente.

LISTA DE VERIFICACIÓN FINAL DEL INSTALADOR

<input type="checkbox"/>	Espacio libre mínimo desde los lados y la parte posterior de la unidad lados y 1 metro desde la parte posterior.
<input type="checkbox"/>	Se ha eliminado todo el embalaje interior.
<input type="checkbox"/>	Las perillas giran libremente.
<input type="checkbox"/>	Los quemadores están bien ajustados y colocados correctamente
<input type="checkbox"/>	Regulador de presión conectado y ajustado. Conexiones de gas provisto.
<input type="checkbox"/>	Unidad probada y libre de fugas.
<input type="checkbox"/>	Se informa al usuario sobre la ubicación de la válvula de cierre del

USUARIO, CONSERVE ESTE MANUAL PARA FUTURAS CONSULTAS..

PRECAUCIONES CON LOS CILINDROS DE PROPANO.

1. No guarde un cilindro de gas de repuesto debajo o cerca de este aparato.
2. NUNCA llene el cilindro de gas más allá del 80 por ciento de su capacidad.

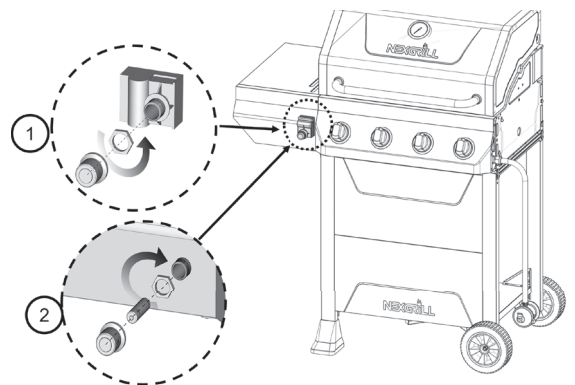
Please note: Si no se sigue exactamente la información en “a” y “b”, podría producirse un incendio o una explosión que cause la muerte o lesiones graves.

INFORMACIÓN IMPORTANTE SOBRE LA BATERÍA

Para reducir la probabilidad de exponer la batería a condiciones de mal uso y/o abuso, siga las instrucciones de instalación de la batería a continuación.

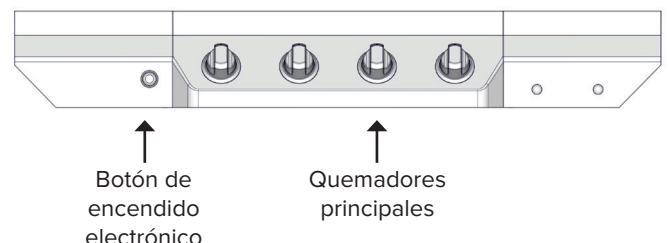
- Las baterías no recargables no deben recargarse.
- No mezcle distintos tipos de pilas, como alcalinas, de carbono-zinc o recargables.
- No mezcle pilas viejas y nuevas.
- Las pilas agotadas deben retirarse del producto.

1 pila AA de 1,5 V CC NO incluida. La pila debe insertarse con la polaridad correcta, como se muestra a la derecha.



IDENTIFICACIÓN DE COMPONENTES

IMPORTANTE: RETIRE TODO EL EMBALAJE, INCLUIDAS LAS CORREAS, ANTES DE USAR LA PARRILLA..



INSTRUCCIONES DE FUNCIONAMIENTOS

⚠ WARNINGS AND CAUTIONS

- **DO NOT** use aluminum foil to cover the removable grease tray or the firebox.
- Before each grilling session, inspect the flame tamers, grease tray, and firebox for buildup. Clear out any excess grease to reduce the risk of a flare-up.
- Take care when handling the grease tray and discarding hot grease, as burns or spills may occur.
- Always wear heat-safe barbecue gloves or mitts when using the grill.
- Keep the area around the propane tank's ventilation openings clean and free of blockages.
- Ensure propane tanks are properly installed according to gas hook-up instructions section of this manual.
- Ensure the hose is properly secured using the Hose Retention Clip. Failing to do so may damage the hose and lead to fire or explosion, which could result in serious injury or death, as well as property damage.
- Keep all electrical cords and the fuel hose safely away from hot surfaces to prevent melting or ignition.
- **DANGER** – Regularly inspect grill brushes for worn bristles or damage. If you find any loose bristles on the grates or brush, replace the brush immediately. We recommend starting each grilling season with a new grill brush.

USO DE LA PARRILLA

Para asar correctamente se necesita calor alto para sellar y dorar bien. La mayoría de los alimentos se cocinan a temperatura alta durante todo el tiempo de cocción. Sin embargo, al asar trozos grandes de carne o aves, puede ser necesario bajar el fuego tras el dorado inicial. Esto cocina los alimentos sin quemar el exterior. Los alimentos cocinados mucho tiempo o con marinada azucarada pueden necesitar una temperatura más baja hacia el final del cocinado..

⚠ NO DEJE LA PARRILLA DESATENDIDA MIENTRAS COCINA.

NOTA: La parrilla caliente sella los alimentos, conservando los jugos. Cuanto más precalentada esté la parrilla, más rápido se dorará la carne y más oscuras serán las marcas que deje.

USO GENERAL DE LA PARRILLA

Cada quemador principal tiene una potencia de 2,93 kW. El quemador lateral tiene una potencia de 2,5 kW. Los quemadores principales de la parrilla abarcan toda la zona de cocción y están diseñados para minimizar bloqueos por caídas de grasa y residuos. Las perillas están ubicadas en la parte inferior central del panel de control. Cada perilla está etiquetada en el panel de control.

Esta parrilla está diseñada para asar eficientemente sin el uso de rocas de lava o briquetas. El calor se irradia a través de los reguladores de llama de acero inoxidable colocados sobre cada quemador.

Temperatura mínima de funcionamiento en ambiente:
0 F (-17,8 C)

INSPECCION LA MANGUERA DE SUMINISTRO DEL CILINDRO DE GAS

Inspeccione el conjunto regulador de presión de gas/manguera antes de cada uso.

1. Abra la puerta del armario del lado izquierdo..
2. Inspeccione el regulador de presión de gas/conjunto de manguera para detectar cortes, abrasiones o desgaste excesivo.
3. Si es necesario, reemplace el conjunto regulador/manguera de gas. antes de usar la parrilla. Contacte al fabricante y utilice solo mangueras de repuesto especificadas para su uso con la parrilla.

INSTRUCCIONES DE ENCENDIDO

⚠ **ADVERTENCIA: ¡IMPORTANTE!**

ANTES DE ENCENDER

Inspeccione la manguera de suministro de gas antes de encender el gas. Si hay signos de cortes, desgaste o abrasión, debe reemplazarse antes de usar. No use la parrilla si hay olor a gas. Use únicamente el regulador de presión y el conjunto de mangueras proporcionados con la unidad. Nunca sustituya los reguladores y el conjunto de mangueras por los suministrados con la parrilla. Si necesita un reemplazo, contacte al fabricante para obtener el adecuado. El reemplazo debe ser el especificado en el manual.

⚠ **ADVERTENCIA**

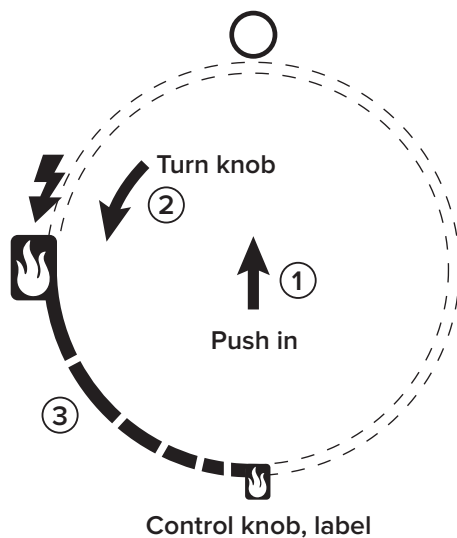
Mantenga siempre la cara y el cuerpo lo más alejados posible del quemador al encender.

ENCENDIDO DEL QUEMADOR PRINCIPAL/ LATERAL

Asegúrese de que todas las perillas estén cerradas y luego abra el suministro de gas desde el cilindro. Mantenga siempre la cara y el cuerpo lo más lejos posible de la parrilla al encender.

Para encender los quemadores principales, presione y gire la perilla del quemador a “⚡”, y al mismo tiempo, mantenga presionado el botón de encendido electrónico.

Una vez encendido el quemador, suelte el botón y la perilla de encendido.



No intente encender la parrilla si percibe olor a gas. Para solicitar servicio técnico, llame al servicio de atención al cliente al

+49 5251 875 6174 (en Alemania). Lunes - jueves 7:30 a.m. - 5:00 p.m., viernes 7:30 a.m. - 2:00 p.m., GMT+2. También puede comunicarse con nosotros por correo electrónico a ServiceDK@nexgrill.com (en Escandinavia), ServiceDE@nexgrill.de (en Alemania) o ServiceFR@nexgrill.com (en Francia).

Cada quemador se ajusta antes del envío. Sin embargo, las variaciones en el suministro de gas local pueden requerir ajustes menores.

⚠ **PRECAUCIONES**

Coloque la tapa antipolvo en la salida de la válvula del cilindro de gas cuando no esté en uso. Instale únicamente el tipo de tapa antipolvo que se suministra con la válvula del cilindro de gas. Otros tipos de tapas o tapones pueden provocar fugas de propano.

El gas debe cerrarse en el cilindro de suministro cuando la unidad no esté en uso.

Si el aparato se almacena en interiores, se debe desconectar y retirar el cilindro de gas. Los cilindros de gas deben almacenarse al aire libre, en un área bien ventilada y fuera del alcance de los niños.

Mantenga una botella con agua jabonosa cerca de la válvula de suministro de gas y revise las conexiones antes de cada uso.

CUIDADO Y MANTENIMIENTO

ACERO INOXIDABLE

Existen muchos limpiadores de acero inoxidable disponibles. Use siempre el método de limpieza más suave primero, frotando en la dirección de la veta. No utilice lana de acero, ya que rayará la superficie. Para retocar rayones visibles, lije suavemente con papel de lija de grano 100 en la dirección de la veta. Las motas de grasa pueden acumularse y dar la apariencia de óxido. Para eliminarlas, use una almohadilla abrasiva suave junto con un limpiador de acero inoxidable.

REJILLA DE LA PARRILLA

La forma más sencilla de limpiar la parrilla es justo después de cocinar y de apagar la llama. Use un guante de barbaoca para protegerse del calor y el vapor. Sumerja un cepillo de cerdas de latón en agua y frote la parrilla caliente. Sumerja el cepillo frecuentemente en agua. El vapor, al entrar en contacto con la parrilla caliente, ayuda a limpiar ablandando las partículas de comida. Si se deja enfriar antes, la limpieza será más difícil.

ASEGÚRESE DE QUE EL SUMINISTRO DE GAS Y LAS PERILLAS ESTÉN EN POSICIÓN “ ”. ASEGÚRESE DE QUE EL QUEMADOR ESTÉ FRÍO ANTES DE QUITARLO.

QUEMADORES DE PARRILLA

Tenga mucho cuidado al mover un quemador; debe estar centrado en el orificio antes de intentar encender la parrilla. La frecuencia de la limpieza dependerá de la cantidad de veces que utilices la parrilla. Asegúrese de que el suministro de gas esté cortado y que las perillas estén en la posición “ ”. Asegúrese de que la parrilla esté fría. Limpia el exterior del quemador con un cepillo de alambre. Limpie las incrustaciones persistentes con un raspador de metal. Despeje los puertos obstruidos con un clip de papel enderezado. No utilices nunca un palillo de madera, ya que puede romperse y obstruir el puerto. Tenga en cuenta si hay obstrucciones en el flujo de gas. Si es así, llame a nuestro servicio de atención al cliente.

QUEMADORES DE PARRILLA

Tenga mucho cuidado al mover un quemador; debe estar centrado en el orificio antes de intentar encender la parrilla. La frecuencia de la limpieza dependerá de la cantidad de veces que utilices la parrilla. Asegúrese de que el suministro de gas esté cortado y que las perillas estén en la posición “ ”. Asegúrese de que la parrilla esté fría. Limpia el exterior del quemador con un cepillo de alambre. Limpie las incrustaciones persistentes con un raspador de metal. Despeje los puertos obstruidos con un clip de papel enderezado. No utilices nunca un palillo de madera, ya que puede romperse y obstruir el puerto. Tenga en cuenta si hay obstrucciones en el flujo de gas. Si es así, llame a nuestro servicio de atención al cliente.

LIMPIEZA DE LA BANDEJA DE GRASA

La bandeja de grasa debe vaciarse y limpiarse frecuentemente para evitar incendios. Lavar con un detergente suave y agua tibia. Puede colocar una pequeña cantidad de arena en el fondo de la bandeja para absorber la grasa. Revise la bandeja con frecuencia; evite que el exceso de grasa se acumule y desborde.

⚠ PRECAUCIÓN

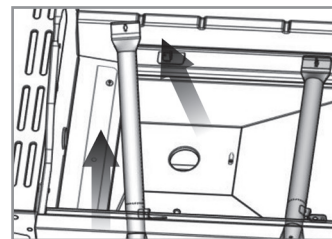
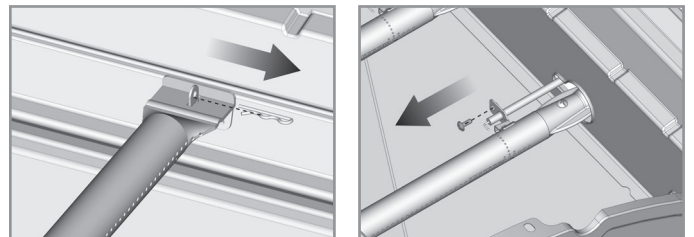
- Mantenga el área donde se encuentran los aparatos de gas para cocinar al aire libre limpia y libre de materiales combustibles, gasolina y otros vapores y líquidos inflamables.
- No obstruya el flujo de aire de combustión y ventilación.
- Mantenga las aberturas de ventilación del recinto del cilindro libres y limpias de residuos.

⚠ IMPORTANTE

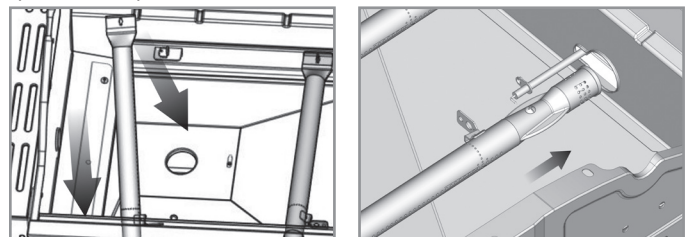
Si desea reemplazar el quemador principal, le recomendamos encarecidamente contratar a un técnico profesional. No seremos responsables de ninguna responsabilidad, lesión personal o daño a la propiedad que resulte de un quemador mal ensamblado.

CÓMO REEMPLAZAR EL QUEMADOR PRINCIPAL

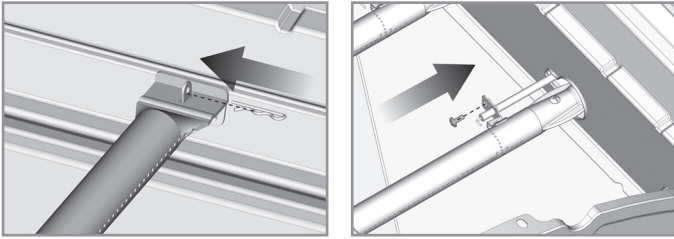
Paso 1. Retire el pasador “R” en la pared trasera de la caja de fuego con alicates de punta fina. Use un destornillador plano para quitar la cubierta del pasador del quemador, luego retírelo de la pared frontal como se muestra.



Paso 2. Inserte el quemador en el orificio y asegure la cubierta del pasador en el quemador, como se muestra a continuación, asegurándose de que el agujero del quemador apunte al orificio.



Paso 3. Fije el quemador principal en la pared trasera de la caja de fuego con el pasador "R"



SOLUCIÓN DE PROBLEMAS

ADVERTENCIA SOBRE ARAÑAS E INSECTOS

Revisión y limpieza de los tubos de los quemadores/venturi para detectar la presencia de insectos y nidos de insectos. Un tubo obstruido puede provocar un incendio debajo de la parrilla. Aunque un tubo de quemador obstruido no es la única causa del "FLASH-BACK", sí es la más común.

Para reducir la posibilidad de "FLASH-BACK", debe limpiar los tubos del quemador antes de ensamblar su parrilla, y al menos una vez al mes a fines del verano o principios del otoño, cuando las arañas están más activas. Realice también este procedimiento de limpieza de los tubos del quemador si su parrilla no se ha utilizado durante un período prolongado.

AL BUSCAR ARAÑAS

Debe inspeccionar los quemadores al menos una vez al año o inmediatamente después de que ocurra cualquiera de las siguientes condiciones:

- El olor a gas junto con las llamas del quemador que aparecen de color amarillo.
- La parrilla no alcanza la temperatura.
- La parrilla se calienta de manera irregular.
- Los quemadores hacen ruidos de explosión.

ANTES DE LLAMAR AL SERVICIO TÉCNICO

Si la parrilla no funciona correctamente, utilice la siguiente lista de verificación antes de comunicarse con el fabricante para solicitar servicio. Puede ahorrar el coste de una llamada de servicio.

PRECALENTAMIENTO : La tapa de la parrilla debe estar en posición cerrada durante el período de precalentamiento. Es necesario precalentar la parrilla antes de cocinar ciertos alimentos, dependiendo del tipo de alimento y la temperatura de cocción. Los alimentos que requieren una temperatura de cocción alta necesitan un periodo de precalentamiento de cinco minutos; los alimentos que requieren una temperatura de cocción más baja sólo necesitan un periodo de dos a tres minutos.

TEMPERATURAS DE COCCIÓN

Ajuste alto: utilice este ajuste para calentar rápidamente, para dorar filetes y chuletas y para asar a la parrilla.

Cocinar con calor indirecto: Puede cocinar aves y cortes grandes de carne lentamente hasta la perfección en un lado de la parrilla con el calor indirecto del quemador del otro lado. El calor del quemador encendido circula suavemente por toda la parrilla, cocinando la carne o las aves sin que ninguna llama las toque directamente. Este método reduce en gran medida las llamaradas al cocinar cortes muy grasos, porque no hay una llama directa que encienda las grasas y los jugos que gotean durante la cocción.

⚠ PRECAUCIÓN

Si los quemadores se apagan durante el funcionamiento, cierre el suministro de gas en la fuente y cierre todas las válvulas de gas. Abra la tapa y espere cinco minutos antes de intentar volver a encenderlo (esto permite que los vapores de gas acumulados se disipen).

⚠ PRECAUCIÓN

En caso de incendio de grasa, cierre el suministro de gas en la fuente, apague todos los quemadores y deje la tapa cerrada hasta que se apague el fuego.

⚠ PRECAUCIÓN

NO intente desconectar ningún accesorio de gas mientras su parrilla esté en funcionamiento. Como con todos los electrodomésticos, el cuidado y el mantenimiento adecuados los mantendrán en óptimas condiciones de funcionamiento y prolongarán su vida útil. Su parrilla de gas no es una excepción.

⚠ ATENCIÓN

La tapa del quemador lateral se calentará si se usa con la tapa cerrada.

SOLUCIÓN DE PROBLEMAS

HOW TO RESET THE REGULATOR SAFETY DEVICE

The regulator includes a safety feature that limits gas flow if a leak is detected. Sometimes, this feature can activate even when there's no leak.

To reset it:

1. Turn off all burner knobs and close the LP tank valve.
2. Disconnect the regulator from the LP tank.
3. Open the grill lid.
4. Turn all burner knobs to high (the 9 o'clock position) and wait for 1 minute.
5. After one minute, turn all burners off.
6. Reconnect the regulator to the LP tank.
7. Slowly open the LP tank valve all the way.
8. Light the burners and check if the grill heats up normally.

PROBLEM	SOLUTION
<p>Cuando intento encender mi parrilla, no se enciende inmediatamente.</p>	<ul style="list-style-type: none"> • Asegúrese de que el encendedor produzca una chispa al intentar encender el quemador. Si no hay chispa, verifique que la batería esté instalada correctamente. • Verifique que el cable esté conectado de forma segura al conjunto de electrodos. • Limpie el/los cable(s) y el electrodo con alcohol isopropílico utilizando un hisopo limpio y luego séquelos con un paño. • Pruebe otros quemadores para comprobar si funcionan. Si otros quemadores funcionan, inspeccione el orificio de gas del quemador defectuoso para detectar obstrucciones.
<p>El regulador hace ruido.</p>	<ul style="list-style-type: none"> • Puede que la manguera de ventilación del regulador esté obstruida o que el regulador sea defectuoso. Asegúrese de que el orificio de ventilación del regulador no esté obstruido. Limpie el orificio y cierre las válvulas de control del gas. Espere diez minutos y reinicie. • Verifique que las llamas funcionen correctamente. Si las llamas no son las adecuadas, reemplace el regulador.
<p>La funda de tamaño completo no se ajusta a la parrilla.</p>	<ul style="list-style-type: none"> • Puede que la funda no sea adecuada para su parrilla. Puede que quede ajustada. Asegúrese de que la funda tiene la longitud correcta para su parrilla. Médala de izquierda a derecha. Compare con la medida de la parrilla. Compare la ubicación y el tamaño de la parte del capó de la funda con su parrilla. • Extienda la funda y deje que se relaje, preferiblemente bajo la luz solar cálida o en una habitación cálida. Para una parrilla con estante lateral, amontone la funda como un calcetín y colóquela de izquierda a derecha.
<p>La parrilla solo calienta a 93-149 °C / 200-300 °F.</p>	<ul style="list-style-type: none"> • Verifique si la manguera de combustible está doblada o estrangulada. • Asegúrate de que la zona de la parrilla está libre de polvo. • Asegúrese de que el quemador y los orificios estén limpios. • Compruebe si hay arañas e insectos.. • El regulador tiene un dispositivo de seguridad que restringe el flujo de gas en caso de fuga. Este dispositivo de seguridad puede activarse sin que haya una fuga de gas. Para restablecer el dispositivo de seguridad, apague todos los quemadores y cierre la válvula del cilindro de gas. Desconecte el regulador del cilindro de gas y espere un minuto. Vuelva a conectar el regulador al cilindro de gas y abra lentamente la válvula del cilindro de gas hasta que esté completamente abierta. Encienda todos los quemadores y observe la temperatura.
<p>La parrilla tarda mucho en precalentarse.</p>	<ul style="list-style-type: none"> • El precalentamiento normal a 260-316 °C (500-600 °F) lleva entre 10 y 15 minutos. El clima frío y el viento pueden afectar el tiempo de precalentamiento. • Si utiliza roca volcánica o briquetas, pueden aumentar el tiempo de precalentamiento y la temperatura máxima.
<p>Las llamas del quemador no son de color azul claro.</p>	<ul style="list-style-type: none"> • Hay demasiado o muy poco aire para la llama. • La altura es la causa principal, pero el clima frío también puede afectar la mezcla. • Puede ser necesario ajustar el quemador. • La parrilla está en un lugar ventoso.

PEDIDO DE PIEZAS

CÓMO PEDIR PIEZAS DE REPUESTO

Para asegurarse de obtener las piezas de repuesto correctas para su parrilla a gas, consulte la lista de piezas en la página 45. Se requiere la siguiente información para asegurar la obtención de la pieza correcta. Tenga en cuenta que el costo de envío de cualquier pieza de repuesto correrá por su cuenta.

- Número de modelo de parrillas a gas (consulte la etiqueta de datos dentro de la puerta de la parrilla).
- Se necesita el número de parte de la pieza de repuesto.
- Se necesita una descripción de la pieza de repuesto.
- Cantidad de piezas necesarias.

Para obtener piezas de repuesto, comuníquese con nuestra línea de atención al cliente:

+49 5251 875 6174 | ServiceDE@nexgrill.de (DE)

+45 60 20 60 71 | ServiceDK@nexgrill.com (DK)

⚠ IMPORTANTE

Utilice solo piezas autorizadas de fábrica. El uso de componentes no autorizados puede ser peligroso y anulará su garantía. Conserve el manual de instrucciones de montaje y operación para consultarlo fácilmente y solicitar piezas de repuesto.

GARANTÍA LIMITADA

El fabricante garantiza solamente al comprador original que este producto (modelo #720-0925PS) estará libre de defectos de fabricación y materiales tras un ensamblaje correcto y con un uso doméstico normal y razonable durante los períodos indicados a continuación desde la fecha de compra. El fabricante se reserva el derecho de exigir evidencia fotográfica del daño o que las piezas defectuosas se devuelvan, con el franqueo y/o flete prepago por el consumidor, para su revisión y examen. La obligación de Nexgrill se limita a la reparación, el reemplazo o el valor depreciado, a elección de Nexgrill.

- **QUEMADORES DE TUBOS:** Garantía LIMITADA de 5 años contra perforación.
- **PARRILLAS DE COCCIÓN Y PROTECTORES DE LLAMA:** Garantía LIMITADA de 1 año; no cubre caídas, astillas, rayones ni daños en la superficie.
- **PIEZAS DE ACERO INOXIDABLE:** Garantía LIMITADA de 1 año contra perforación; no cubre problemas estéticos como corrosión superficial, rayones y óxido.
- **TODAS LAS OTRAS PARTES:** Garantía LIMITADA de 1 año (incluye, pero no se limita a, válvulas, marco, carcasa, carrito, panel de control, encendedor, regulador, mangueras)*No cubre astillas, rayones, agrietamientos, corrosión superficial ni óxido.

Una vez que el consumidor presente prueba de compra según lo dispuesto en este documento, el fabricante reparará o reemplazará las piezas que se demuestren defectuosas durante el período de garantía aplicable. Las piezas necesarias para completar dicha reparación o reemplazo no tendrán ningún costo para usted, excepto los costos de envío, siempre que el comprador esté dentro del período de garantía a partir de la fecha de compra original. El comprador original será responsable de todos los gastos de envío de las piezas reemplazadas según los términos de esta garantía limitada. Esta garantía limitada solo es aplicable en el Alemania y Escandinavia, está disponible únicamente para el propietario original del producto y no es transferible. El fabricante requiere una prueba razonable de su fecha de compra. Por lo tanto, debes conservar el recibo de compra y/o la factura. Si recibió la unidad como regalo, solicite al donante que envíe el recibo en su nombre a la siguiente dirección. Las piezas defectuosas o faltantes sujetas a esta garantía limitada no serán reemplazadas sin registro o comprobante de compra. Esta garantía limitada se aplica SOLAMENTE a la funcionalidad del producto y no cubre problemas cosméticos como rayones, abolladuras, corrosión o decoloración por calor, limpiadores abrasivos y químicos o cualquier herramienta utilizada en el ensamblaje o instalación del electrodoméstico, óxido superficial o decoloración de superficies de acero inoxidable. El óxido superficial, la corrosión o el desmenuamiento de la pintura en polvo en las piezas metálicas que no afecten la integridad estructural del producto no se consideran un defecto de mano de obra o material y no están cubiertos por esta garantía. Esta garantía limitada no le reembolsará el costo de ningún inconveniente, comida, lesión personal o daño a la propiedad. Si no se dispone de una pieza de recambio original, se enviará una pieza de recambio comparable. Usted será responsable de todos los gastos de envío de las piezas reemplazadas según los términos de esta garantía limitada.

EL FABRICANTE NO PAGARÁ:

- Visitas de servicio a su domicilio.
- Reparaciones cuando su producto se utiliza para un uso distinto al normal doméstico o residencial de una sola familia.
- Daños resultantes de accidente, alteración, mal uso, falta de mantenimiento/limpieza, abuso, incendio, inundación, actos de Dios, instalación incorrecta o instalación que no cumpla con los códigos eléctricos o de plomería, o mal uso del producto.
- Cualquier pérdida de alimentos debido a fallos del producto.
- Costos de piezas de repuesto o mano de obra de reparación para unidades operadas fuera del Alemania y Escandinavia.
- Recogida y entrega de su producto.
- Tarifas de envío o tarifas de procesamiento de fotografías enviadas como documentación.
- Reparaciones de piezas o sistemas resultantes de modificaciones no autorizadas realizadas al producto.
- La retirada y/o reinstalación de su producto.
- Costo de envío, estándar o urgente, para garantía/sin garantía y piezas de repuesto.

EXENCIÓN DE GARANTÍAS IMPLÍCITAS; LIMITACIÓN DE RECURSOS

La reparación o sustitución de piezas defectuosas es su recurso exclusivo según los términos de esta garantía limitada. El fabricante no se responsabilizará de daños consecuentes o incidentales derivados del incumplimiento de esta garantía limitada o de cualquier garantía implícita aplicable, o por fallos o daños causados por casos fortuitos, cuidado y mantenimiento inadecuados, incendio de grasa, accidentes, alteraciones, reemplazo de piezas por parte de personas que no sean el fabricante, mal uso, transporte, uso comercial, abuso, entornos hostiles (climas adversos, actos de la naturaleza, manipulación por animales), instalación incorrecta o que no cumpla con los códigos locales o las instrucciones impresas del fabricante.

ESTA GARANTÍA LIMITADA ES LA ÚNICA GARANTÍA EXPRESA OTORGADA POR EL FABRICANTE. EL FABRICANTE NO GARANTIZA NINGUNA ESPECIFICACIÓN O DESCRIPCIÓN DEL RENDIMIENTO DEL PRODUCTO, DONDEQUIERA QUE APAREZCA, EXCEPTO EN LA MEDIDA QUE SE ESTABLECE EN ESTA GARANTÍA LIMITADA. CUALQUIER PROTECCIÓN DE GARANTÍA IMPLÍCITA QUE SURJA BAJO LA LEGISLACIÓN DE CUALQUIER ESTADO, INCLUYENDO LA GARANTÍA IMPLÍCITA DE COMERCIABILIDAD O ADECUACIÓN PARA UN PROPÓSITO O USO PARTICULAR, SE LIMITA POR LA PRESENTE A LA DURACIÓN DE ESTA GARANTÍA LIMITADA.

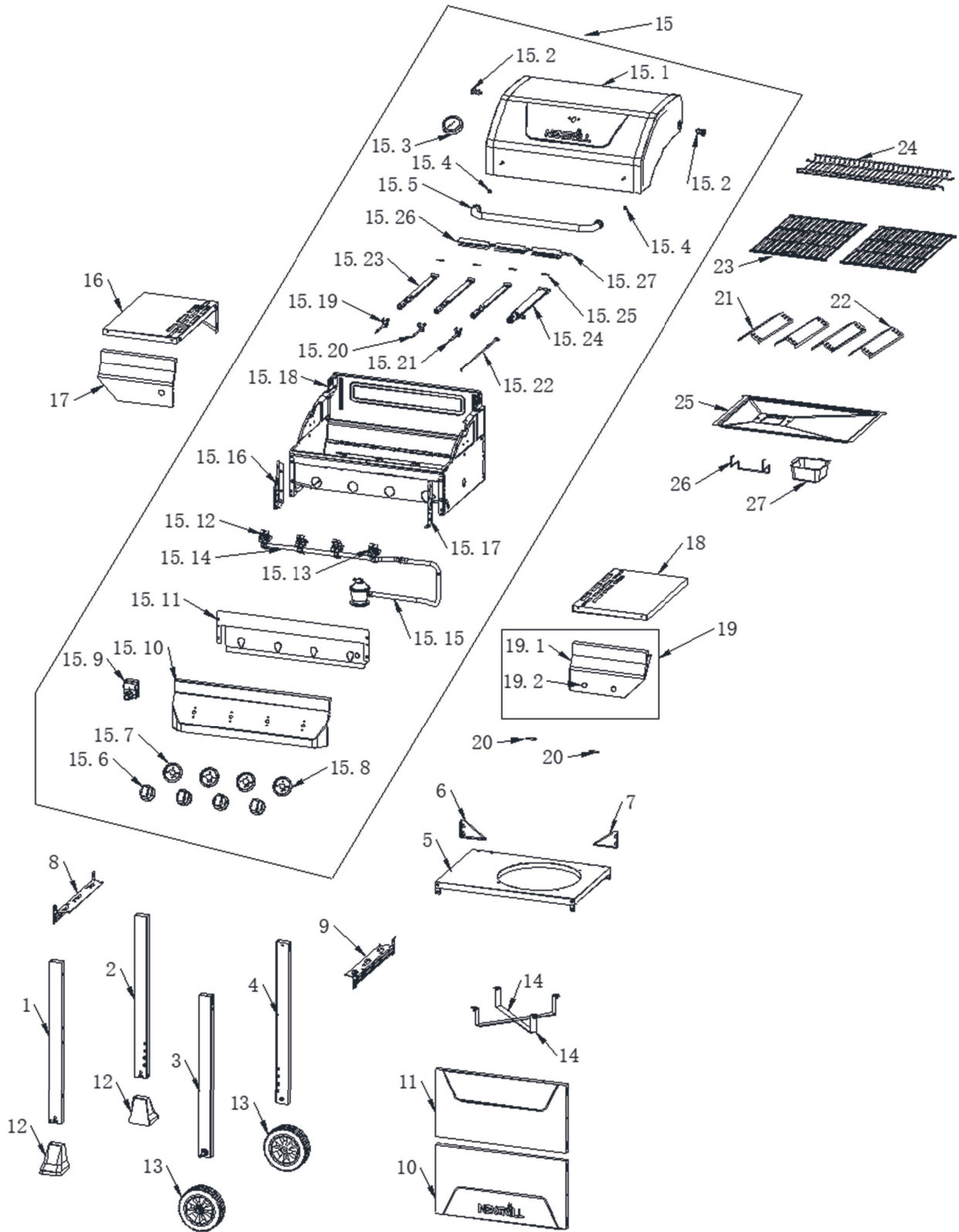
Si deseas obtener el cumplimiento de cualquier obligación en virtud de esta garantía limitada, debes escribir a:

Martinesn Nordic A/S
Ekspertvej 7 - 8870 Langå
Denmark - CVR 27771025

Pergunta?

+49 5251 875 6174 | ServiceDE@nexgrill.de (DE)
+45 60 20 60 71 | ServiceDK@nexgrill.com (DK)

EXPLODED VIEW



Parts List

No.	Part (Description)	QTY	No.	Part (Description)	QTY
1	Cart leg front ,left	1	15.14	manifold	1
2	Cart leg back ,left	1	15.15	Regulator	1
3	Cart leg front ,right	1	15.16	Control panel, left	1
4	Cart leg back ,right	1	15.17	Control panel, right	1
5	Bottom panel	1	15.18	Firebox	1
6	Bottom panel bracket left	1	15.19	igniter wire A	1
7	Bottom panel bracket left	1	15.2	igniter wire B	1
8	Cart frame left	1	15.21	igniter wire C	1
9	Cart frame right	1	15.22	igniter wire D	1
10	Cart frame front panel, up	1	15.23	Main burner	3
11	Cart frame front panel, down	1	15.24	Power burner	1
12	leg insert	2	15.25	R pin	4
13	Wheel	2	15.26	Cross lighting A	2
14	Gas tank support plate	2	15.27	Cross lighting B	1
15	Firebox and lid	1	16	Side shelf, Left	1
15.1	Lid	1	17	Side shelf control panel , left	1
15.2	Main lid screw	2	18	Side shelf, right	1
15.3	Temperature gauge	1	19	Side shelf control panel , left	1
15.4	Lid Hood buffer	2	19.1	Side shelf control panel , left	1
15.5	Lid handle	1	19.2	Hook	2
15.6	Knob	4	20	Control panel connector	2
15.7	knob seat A	3	21	Flame tamer A	3
15.8	knob seat B	1	22	Flame tamer B	1
15.9	Electronic igniter	1	23	Grid	2
15.1	control panel	1	24	Warming rack	1
15.11	Control panel heat shield	1	25	Grease tray	1
15.12	Main gas valve	3	26	Grease tray bracket	1
15.13	Main gas valve B	1	27	Grease tray box	1

Dele liste

Nr.	Del (Beskrivelse)	ANTAL	Nr.	Del (Beskrivelse)	ANTAL
1	Vognben foran, venstre	1	15.14	Fordeler	1
2	Vognben bag, venstre	1	15.15	Regulator	1
3	Vognben foran, højre	1	15.16	Kontrolpanel, venstre	1
4	Vognben bag, højre	1	15.17	Kontrolpanel, højre	1
5	Nederste panel	1	15.18	Brændkammer	1
6	Beslag til bundpanel, venstre	1	15.19	Tændingskabel A	1
7	Beslag til bundpanel, venstre	1	15.2	Tændingskabel B	1
8	Vognramme, venstre	1	15.21	Tændingskabel C	1
9	Vognramme, højre	1	15.22	Tændingskabel D	1
10	Frontpanel vognramme, nederst	1	15.23	Hovedbrænder	3
11	Frontpanel vognramme, øverst	1	15.24	Hovedbrænder	1
12	Benindsats	2	15.25	R-stift	4
13	Hjul	2	15.26	Krydsbelysning A	2
14	Støtteplade til gastanken	2	15.27	Krydsbelysning B	1
15	Ildsted og låg	1	16	Sidehylde, venstre	1
15.1	Låg	1	17	Kontrolpanel til sidehylde, venstre	1
15.2	Skrue til hovedlåg	2	18	Sideshylde, højre	1
15.3	Temperaturmåler	1	19	Kontrol panel til sidehylde, højre	1
15.4	Lågdæmper	2	19.1	Kontrol panel til sidehylde, højre	1
15.5	Håndtag låg	1	19.2	Krog	2
15.6	Knop	4	20	Kontrolpanelstik	2
15.7	Monteringsplade til drejeknap A	3	21	Flammebreder A	3
15.8	Knopsæde B	1	22	Flammebreder B	1
15.9	Elektronisk tænding	1	23	Rist	2
15.10	Kontrolpanel	1	24	Varmehylde	1
15.11	Kontrolpanel varmeskjold	1	25	Smørebakke	1
15.12	Hovedgasventil	3	26	Beslag til fedtopsamlingsbakke	1
15.13	Hovedgasventil B	1	27	Fedtopsamlingsbakke	1

Deleliste

Nr.	Del (beskrivelse)	Antall	Nr.	Del (beskrivelse)	Antall
1	Vognben foran, venstre	1	15.14	Fordeler	1
2	Vognben bak, venstre	1	15.15	Regulator	1
3	Vognben foran, høyre	1	15.16	Kontrollpanel, venstre	1
4	Vognben bak, høyre	1	15.17	Kontrollpanel, høyre	1
5	Bunnpanel	1	15.18	Ildrom	1
6	Feste for bunnpanel, venstre	1	15.19	Tennerkabel A	1
7	Feste for bunnpanel, , høyre	1	15.2	Tennerkabel B	1
8	Vognramme, venstre	1	15.21	Tennerkabel C	1
9	Vognramme, høyre	1	15.22	Tennerkabel D	1
10	Nedre forplate på vognrammen	1	15.23	Hovedbrenner	3
11	Øvre forplate på vognrammen	1	15.24	Effektbrenner	1
12	Beninnlegg	2	15.25	R-pin	4
13	Hjul	2	15.26	Kryssbelysning A	2
14	gassflaskeholderplate	2	15.27	Kryssbelysning B	1
15	Ildkasse og lokk	1	16	Sidehylle, venstre	1
15.1	Lokk	1	17	Sideshyllerkontrollpanel, venstre	1
15.2	Skrue til hovedlokk	2	18	Sidehylle, høyre	1
15.3	Temperaturmåler	1	19	Sidehyllerkontroll panel, høyre	1
15.4	Lokkhettebuffer	2	19.1	Sidehyllerkontroll panel, høyre	1
15.5	Lokkhåndtak	1	19.2	Krok	2
15.6	Knott	4	20	Kontrollpanelkontakt	2
15.7	Knottbase A	3	21	Flammebrems A	3
15.8	Knottbase B	1	22	Flammebrems B	1
15.9	Elektronisk tenner	1	23	Rist	2
15.1	Kontrollpanel	1	24	Varmerist	1
15.11	Varmebeskyttelse for kontrollpanel	1	25	Fettoppsamler	1
15.12	Hovedgassventil	3	26	Feste for fettoppsamler	1
15.13	Hovedgassventil B	1	27	Fettoppsamlerboks	1

Osaluettelo

Nro.	Osa (kuvaus)	Määrä	Nro.	Osa (kuvaus)	Määrä
1	Kärryn jalka edessä, vasen	1	15.14	Jakotukki	1
2	Kärryn jalka takana, vasen	1	15.15	Paineensäädin	1
3	Kärryn jalka edessä, oikea	1	15.16	Ohjauspaneeli, vasen	1
4	Kärryn jalka takana, oikea	1	15.17	Ohjauspaneeli, oikea	1
5	Alapaneeli	1	15.18	Tulipesä	1
6	Alapaneelin kiinnike vasen	1	15.19	Sytytysjohto A	1
7	Alapaneelin kiinnike vasen	1	15.2	Sytytysjohto B	1
8	Kärryn runko vasen	1	15.21	Sytytysjohto C	1
9	Kärryn runko oikea	1	15.22	Sytytysjohto D	1
10	Kärryn rungkon etupaneeli, alaosa	1	15.23	Pääpoltin	3
11	Kärryn rungkon etupaneeli, yläosa	1	15.24	Tehopoltin	1
12	Jalkaan asennettava osa	2	15.25	R-nasta	4
13	Pyörä	2	15.26	Poikkivalaisin A	2
14	Kaasupullon tukilevy	2	15.27	Poikkivalaisin B	1
15	Tulipesä ja kansi	1	16	Sivuhylly, vasen	1
15.1	Kansi	1	17	Sivuhyllyn ohjauspaneeli, vasen	1
15.2	Pääkannen ruuvi	2	18	Sivuhylly, oikea	1
15.3	Lämpömittari	1	19	Sivuhyllyn ohjauspaneeli , oikea	1
15.4	Kansikuvun puskuri	2	19.1	Sivuhyllyn ohjauspaneeli , oikea	1
15.5	Kansikahva	1	19.2	Koukku	2
15.6	Nuppi	4	20	Ohjauspaneelin liitin	2
15.7	Nupin istuin A	3	21	Liekkisuoja A	3
15.8	Nupin istuin B	1	22	Liekkisuoja B	1
15.9	Sähkösytytin	1	23	Ritilä	2
15.1	Ohjauspaneeli	1	24	Lämmitysteline	1
15.11	Ohjauspaneelin lämpösuoja	1	25	Rasvakouru	1
15.12	Pääkaasuventtiili	3	26	Rasvakourun kiinnike	1
15.13	Pääkäsiiventtiili B	1	27	Rasvakourulaatikko	1

Lista de Peças

N.º	Peça (Descrição)	QTD.	N.º	Peça (Descrição)	QTD.
1	Pé frontal do carrinho, esquerdo	1	15.14	Coletor	1
2	Pé traseiro do carrinho, esquerdo	1	15.15	Regulador	1
3	Pé frontal do carrinho, direito	1	15.16	Painel de controlo, esquerdo	1
4	Pé traseiro do carrinho, direito	1	15.17	Painel de controlo, direito	1
5	Painel inferior	1	15.18	Câmara de combustão	1
6	Suporte do painel inferior esquerdo	1	15.19	Fio do ignitor A	1
7	Suporte do painel inferior esquerdo	1	15.2	Fio do ignitor B	1
8	Estrutura do carrinho esquerdo	1	15.21	Fio do ignitor C	1
9	Estrutura do carrinho direito	1	15.22	Fio do ignitor D	1
10	Painel frontal inferior da estrutura do carrinho	1	15.23	Queimador principal	3
11	Painel frontal superior da estrutura do carrinho	1	15.24	Queimador principal	1
12	Inserto de perna	2	15.25	Pino R	4
13	Roda	2	15.26	Iluminação cruzada A	2
14	Placa de suporte do tanque de gás	2	15.27	Iluminação cruzada B	1
15	Câmara de combustão e tampa	1	16	Prateleira lateral esquerda	1
15.1	Tampa	1	17	Painel de controlo da prateleira lateral, esquerdo	1
15.2	Parafuso principal da tampa	2	18	Prateleira lateral, direita	1
15.3	Indicador de temperatura	1	19	Painel de controlo da prateleira lateral , direito	1
15.4	Amortecedor da tampa	2	19.1	Painel de controlo da prateleira lateral , direito	1
15.5	Puxador da tampa	1	19.2	Gancho	2
15.6	Manípulo	4	20	Conector do painel de controlo	2
15.7	Base do manípulo A	3	21	Dissipador de chama A	3
15.8	Base do manípulo B	1	22	Dissipador de chama B	1
15.9	Acendedor eletrónico	1	23	Grelha	2
15.1	Painel de controlo	1	24	Grelha de aquecimento	1
15.11	Escudo térmico do painel de controlo	1	25	Bandeja de gordura	1
15.12	Válvula principal de gás	3	26	Suporte da bandeja de gordura	1
15.13	Válvula principal de gás B	1	27	Caixa da bandeja de gordura	1

Lista de piezas

Núm.	Pieza (Descripción)	CANTIDAD	Núm.	Pieza (Descripción)	CANTIDAD
1	Pata delantera del carro, izquierda	1	15.14	Colector	1
2	Pata trasera del carro, izquierda	1	15.15	Regulador	1
3	Pata delantera del carro, derecha	1	15.16	Panel de control, izquierda	1
4	Pata trasera del carro, derecha	1	15.17	Panel de control, derecha	1
5	Panel inferior	1	15.18	Caja de combustión	1
6	Soporte del panel inferior, izquierda	1	15.19	Cable del encendedor A	1
7	Soporte del panel inferior, izquierda	1	15.2	Cable del encendedor B	1
8	Estructura del carro izquierda	1	15.21	Cable del encendedor C	1
9	Estructura del carro derecha	1	15.22	Cable del encendedor D	1
10	Panel frontal inferior de la estructura del carro	1	15.23	Quemador principal	3
11	Panel frontal superior de la estructura del carro	1	15.24	Quemador de potencia	1
12	Inserto de pata	2	15.25	Pasador en R	4
13	Rueda	2	15.26	Iluminación cruzada A	2
14	Placa soporte del tanque de gas	2	15.27	Iluminación cruzada B	1
15	Caja de fuego y tapa	1	16	Estante lateral, izquierdo	1
15.1	Tapa	1	17	Panel de control del estante lateral, izquierda	1
15.2	Tornillo de la tapa principal	2	18	Estante lateral derecho	1
15.3	Indicador de temperatura	1	19	Panel de control del estante lateral, derecha	1
15.4	Amortiguador de la capucha de la tapa	2	19.1	Panel de control del estante lateral, derecha	1
15.5	Asa de la tapa	1	19.2	Gancho	2
15.6	Perilla	4	20	Conector del panel de control	2
15.7	Base de perilla A	3	21	Difusor de llama A	3
15.8	Base de perilla B	1	22	Difusor de llama B	1
15.9	Encendedor electrónico	1	23	Rejilla	2
15.1	Panel de control	1	24	Rejilla para mantener caliente	1
15.11	Escudo térmico del panel de control	1	25	Bandeja de grasa	1
15.12	Válvula principal de gas	3	26	Soporte de la bandeja de grasa	1
15.13	Válvula principal de gas B	1	27	Caja para grasa	1



QUESTIONS, PROBLEMS, MISSING PARTS? PLEASE CALL:
SPØRGSMÅL, PROBLEMER, MANGLENDE DELE? RING VENLIGST:
SPØRSMÅL, PROBLEMER, MANGLENDE DELER? RING:
KYSYMYKSIÄ, ONGELMIA TAI PUUTTUVIA OSIA? SOITA:
DÚVIDAS, PROBLEMAS, PEÇAS EM FALTA? LIGUE PARA:
¿PREGUNTAS, PROBLEMAS, PIEZAS FALTANTES? LLAME AL:

+49 5251 875 6174 | ServiceDE@nexgrill.de (DE)
+45 60 20 60 71 | ServiceDK@nexgrill.com (DK)

MODEL / MODELL / MODEL / MODELL / MALLI / MODELO
720-0925PS

NEXGRILL®

Part Number:
19001227A0



2531DQ-0002
2531-25



ASSEMBLY INSTRUCTION
MONTERINGSVEJLEDNING
MONTERINGSANVISNING
KOKOAMISOHJEET
INSTRUÇÕES DE MONTAGEM
INSTRUCCIONES DE MONTAJE



CLASSIC 4 BURNER GAS GRILL WITH ONE POWER BURNER
CLASSIC GASGRILL MED 4 BRÆNDERE MED ÉN "SEAR" BRÆNDER
KLASSISK GASSGRILL MED 4 BRENNERS OG ÉN EFFEKTIV BRENNER
KLASSINEN 4-POLTTIMELLINEN KAASUGRILLI YHDELLÄ POLTTIMEN PÄÄLLÄ
CHURRASQUEIRA A GÁS CLÁSSICA DE 4 QUEIMADORES COM UM QUEIMADOR DE POTÊNCIA
PARRILLA DE GAS CLÁSICA DE 4 QUEMADORES CON UN QUEMADOR DE ALTA POTENCIA

MODEL / MODELL / MODEL / MODELL / MALLI / MODELO
720-0925PS

For outdoors use only. / Kun til udendørs brug. / Kun for /
utendørs bruk. / Vain ulkokäyttöön. / Apenas para uso
externo. / Sólo para uso en exteriores.

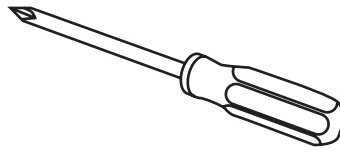
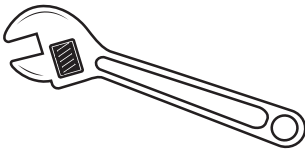
NEXGRILL®

Part Number:
19001227A0



2531DQ-0002
2531-25

TOOLS NEEDED / NØDVENDIGE VÆRKTØJER / VERKTØY SOM TRENGS / TARVITTAVAT TYÖKALUT / FERRAMENTAS NECESSÁRIAS / HERRAMIENTAS NECESARIAS



Some parts come with Screws preinstalled.
Loosen and tighten for final assembly.

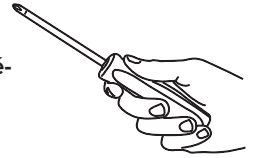
Nogle dele leveres med forudinstallerede
skruer. Løsn og spænd for endelig montering.

Noen deler leveres med forhåndsmonterte
skruer. Løsne og stram for endelig montering.

Joissakin osissa on valmiiksi asennetut ruuvit.
Löysää ja kiristä ruuvit lopullista kokoonpanoa
varten.

Algumas peças vêm com parafusos pré-
instalados. Desaperte e aperte para a
montagem final.

Algunas piezas vienen con tornillos
preinstalados. Afloje y apriete para el
ensamblaje final.

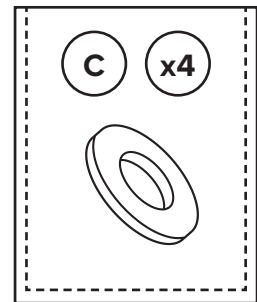
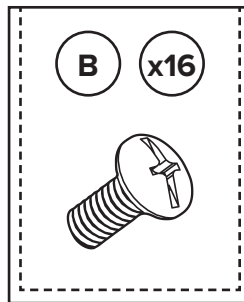
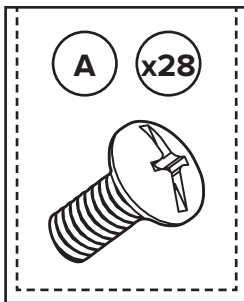


HARDWARE PACKAGE LIST / LISTE OVER HARDWAREPAKKER / LISTE OVER MASKINVAREPAKKER / LAITTEISTOPAKETTIEN LUETTELO / LISTA DE PACOTES DE HARDWARE / LISTA DE PAQUETES DE HARDWARE

Screw
Skrue
Skru
Ruuvi
Parafuso
Tornillo
1/4-20 x 1/2"

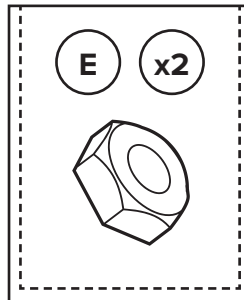
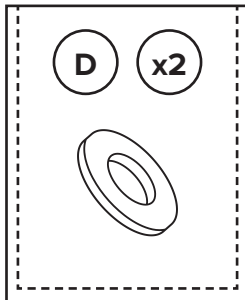
Screw
Skrue
Skru
Ruuvi
Parafuso
Tornillo
5/32 - 32 x 2/5"

Flat Washer
Flad skive
Flat skive
Litteä aluslevy
Arruela plana
Arandela plana
1/4"



Flat Washer
Flad skive
Flat skive
Litteä aluslevy
Arruela plana
Arandela plana
5/32"

Nut
møtrik
nøtt
mutteri
noz
tuerca
5/16"

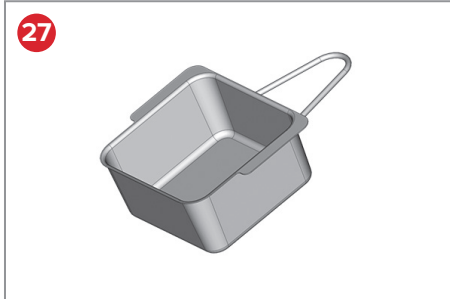
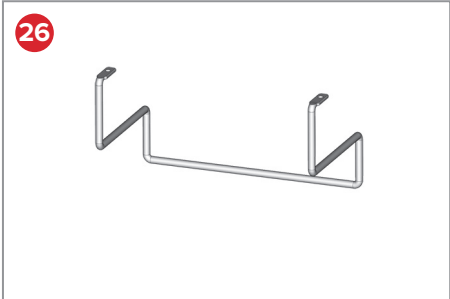
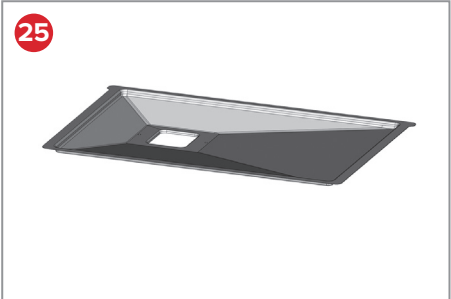
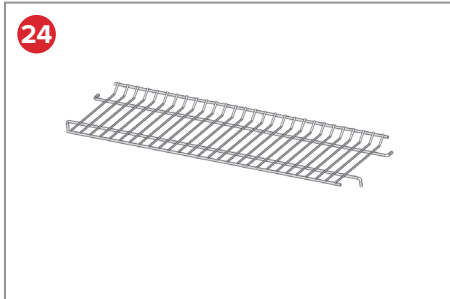
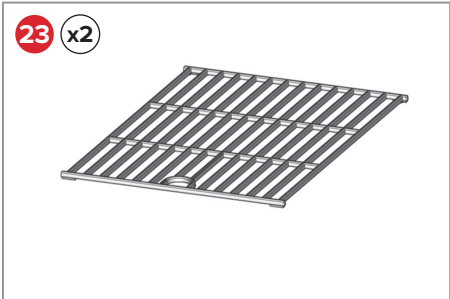
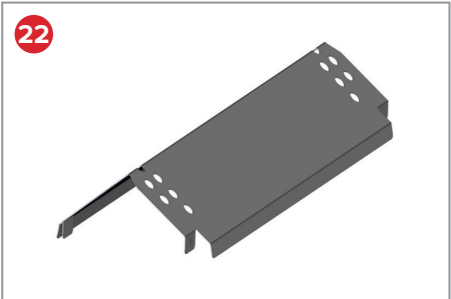
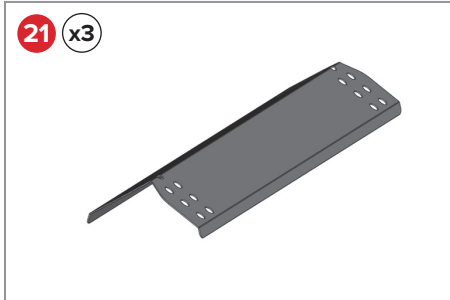
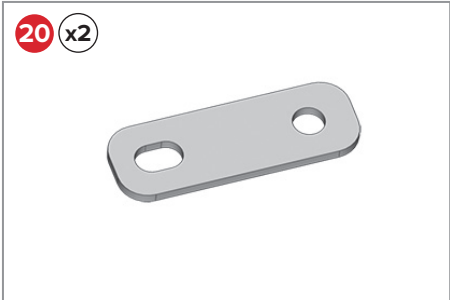
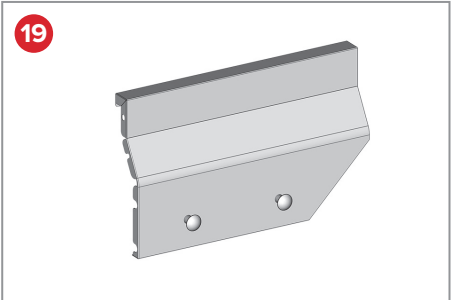
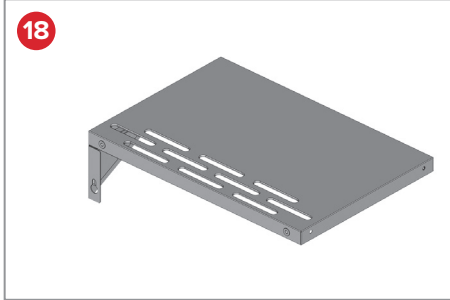
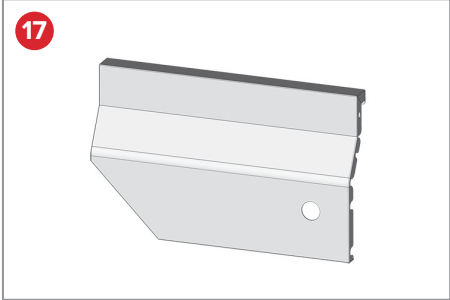
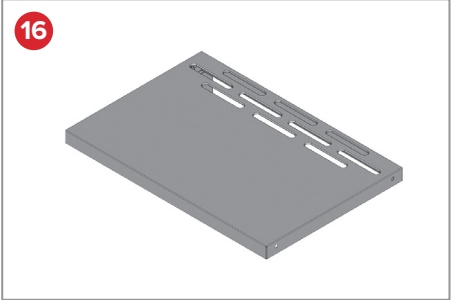


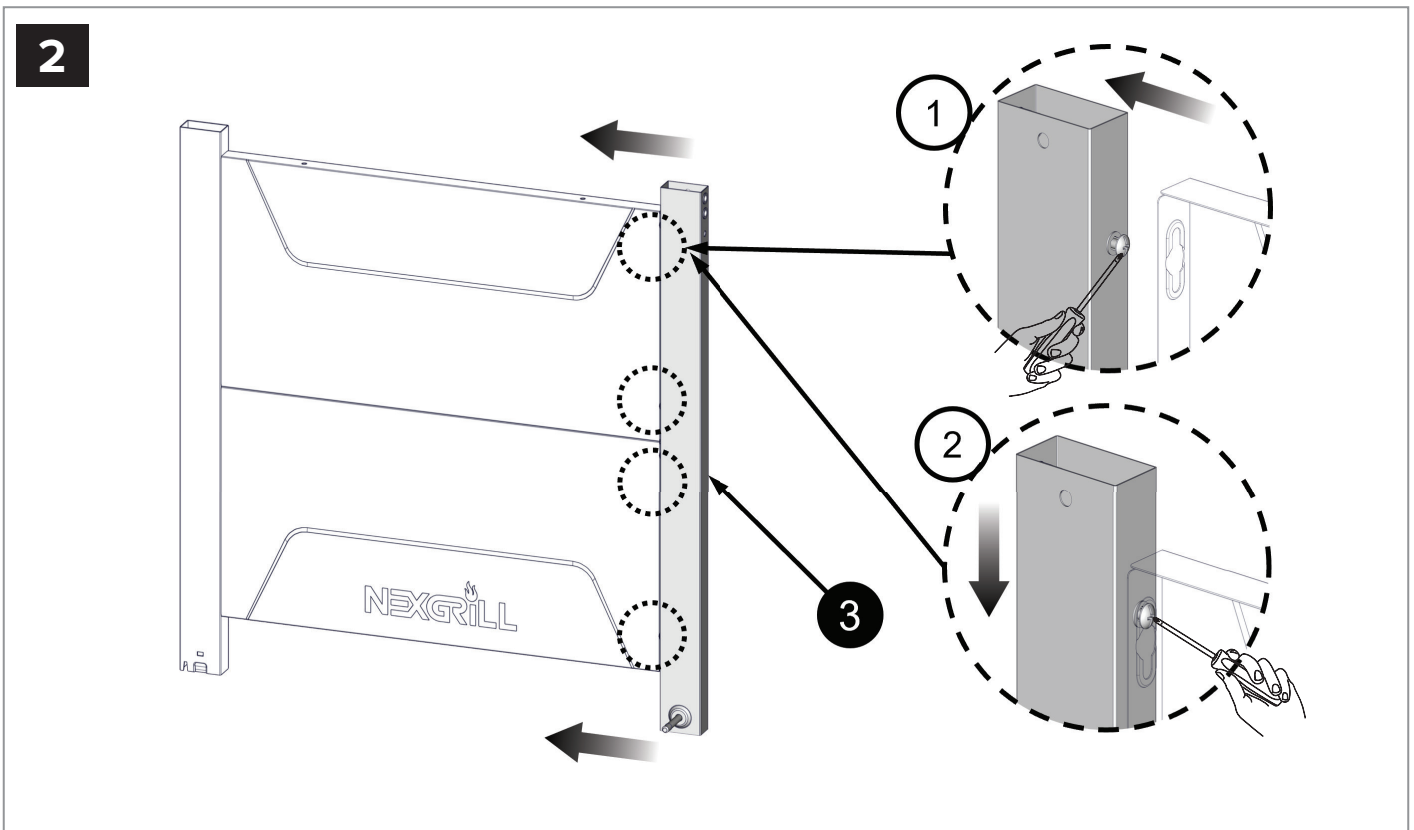
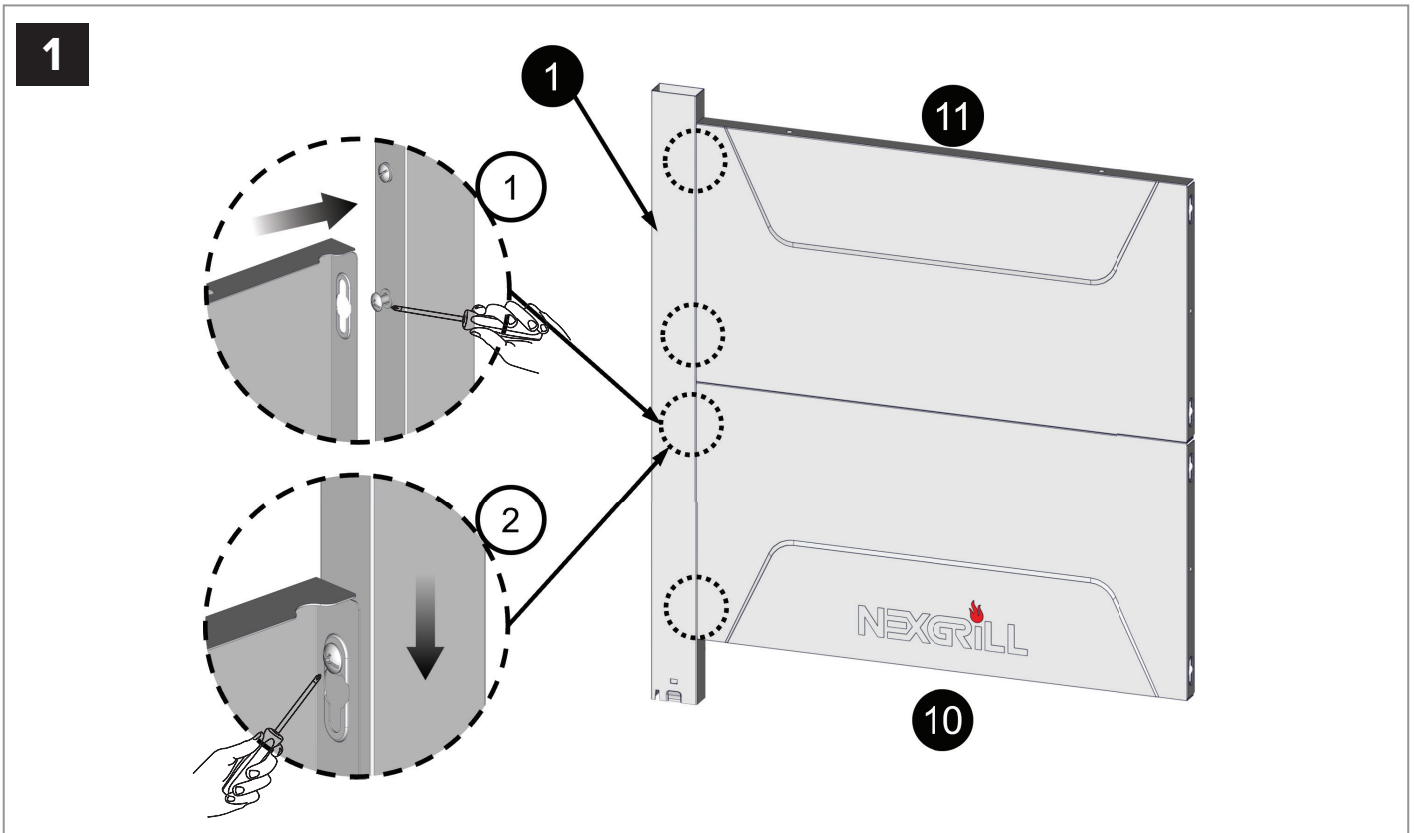
**QUESTIONS, PROBLEMS, MISSING PARTS? PLEASE CALL:
SPØRGSMÅL, PROBLEMER, MANGLENDE DELE? RING VENLIGST:
SPØRSMÅL, PROBLEMER, MANGLENDE DELER? RING:
KYSYMYKSIÄ, ONGELMIA TAI PUUTTUVIA OSIA? SOITA:
DÚVIDAS, PROBLEMAS, PEÇAS EM FALTA? LIGUE PARA:
¿PREGUNTAS, PROBLEMAS, PIEZAS FALTANTES? LLAME AL:**

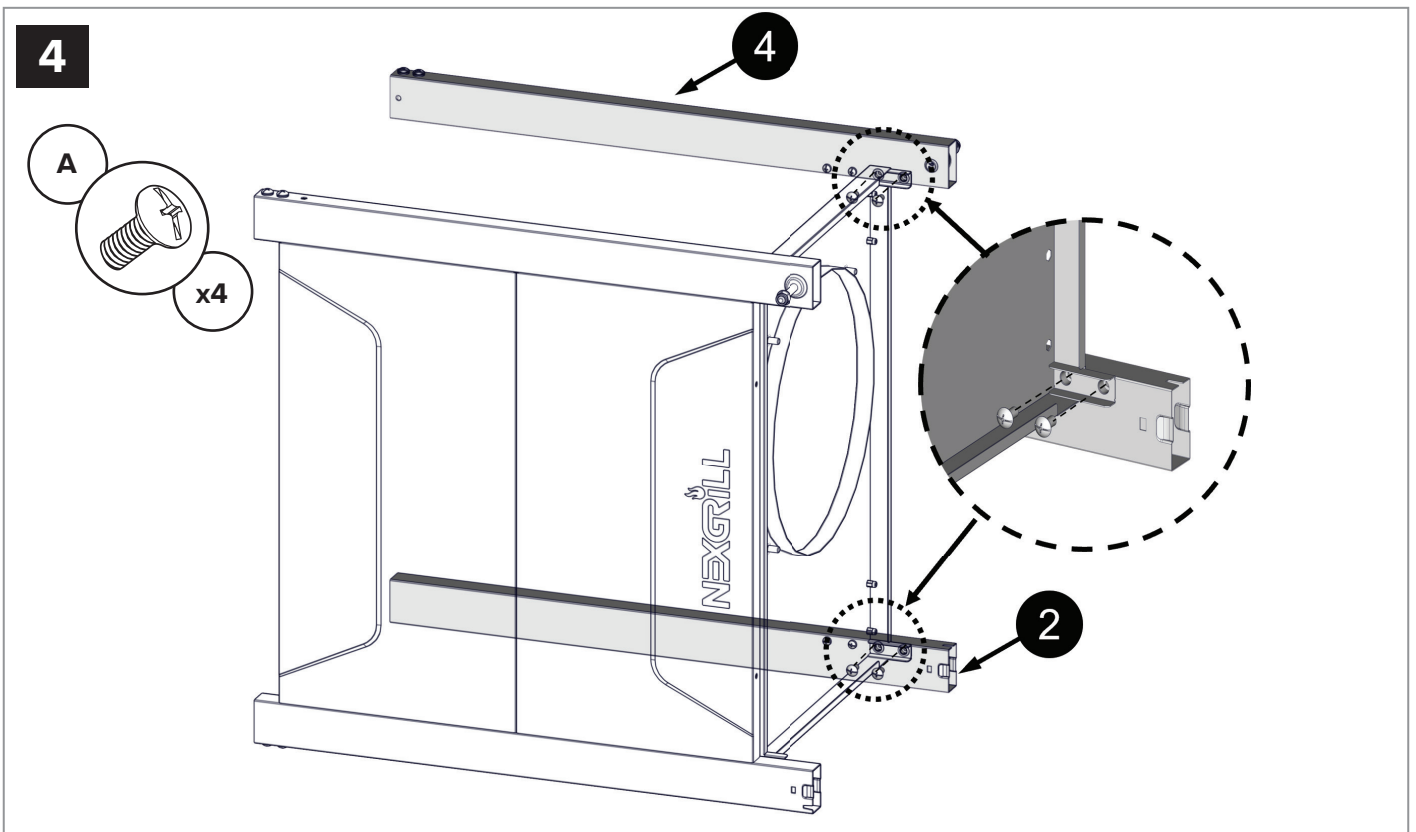
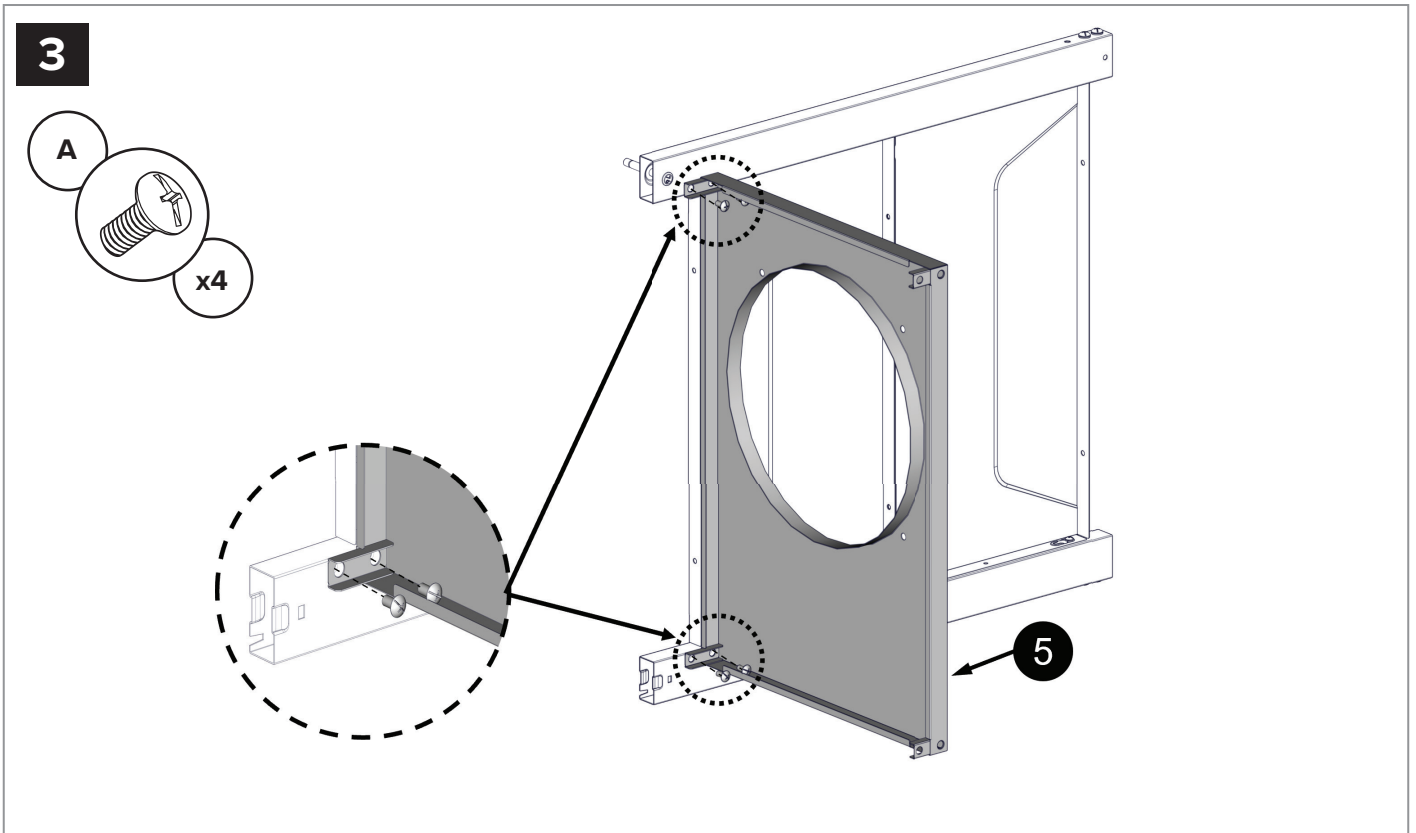
+49 5251 875 6174 | ServiceDE@nexgrill.de (DE)
+45 60 20 60 71 | ServiceDK@nexgrill.com (DK)

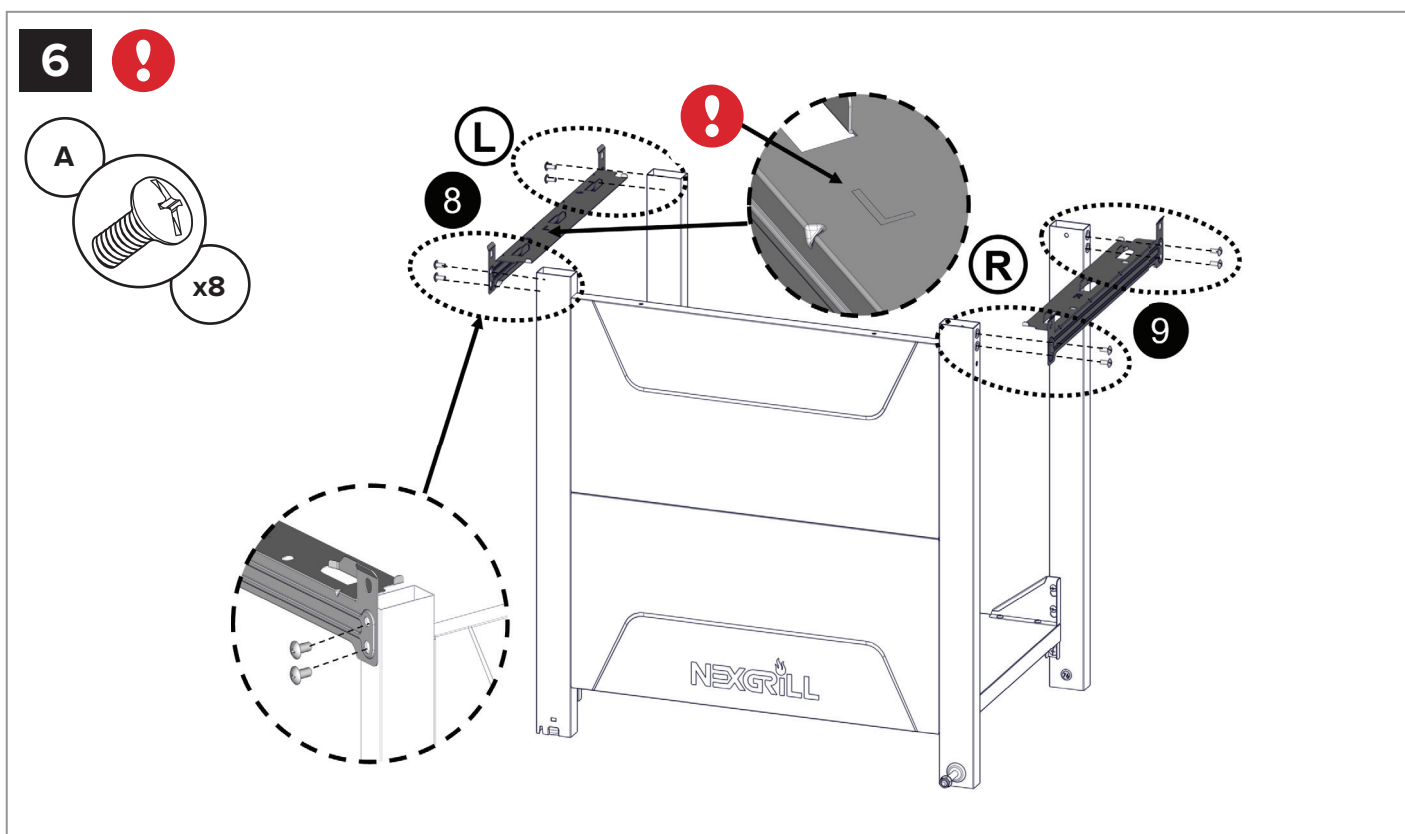
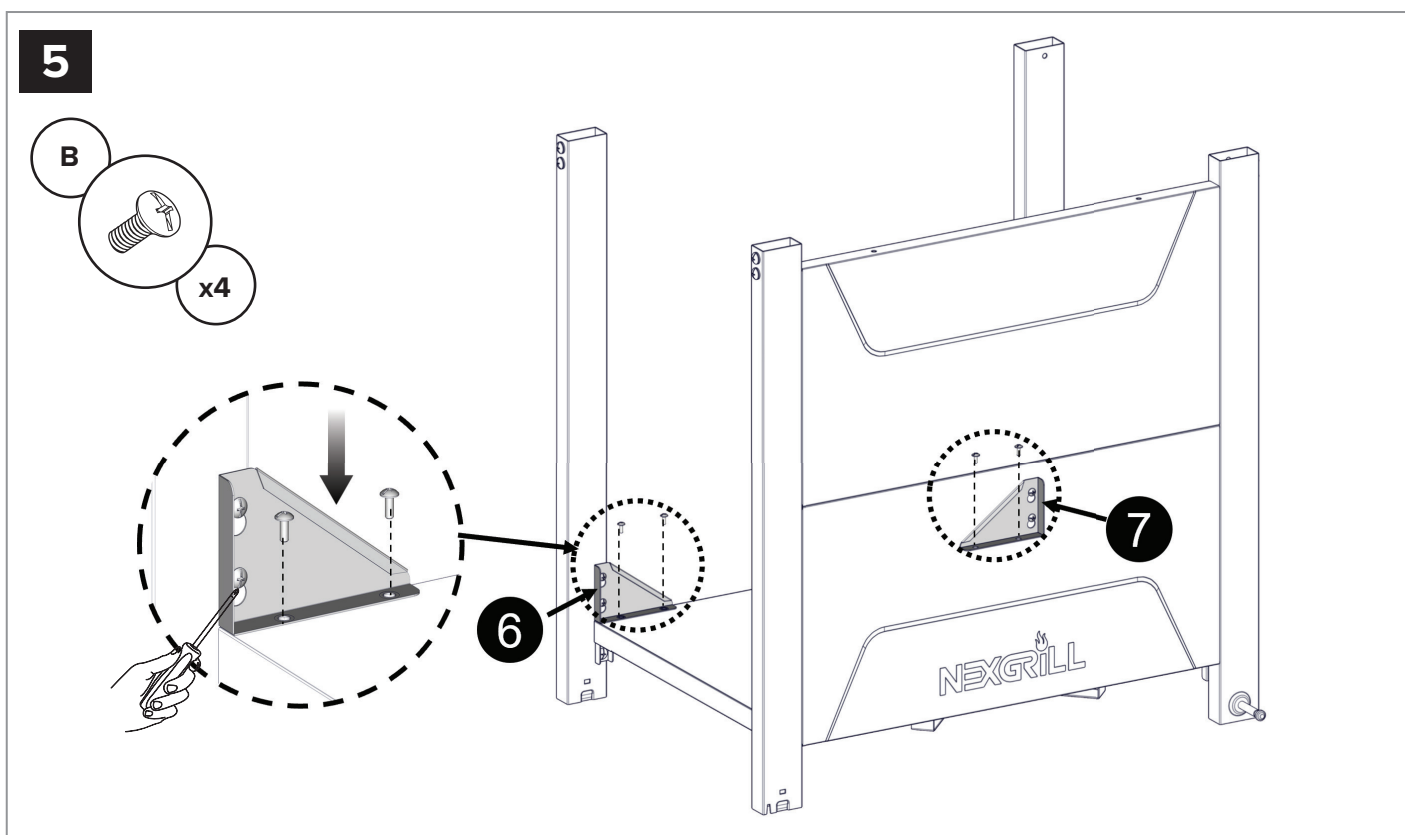
PARTS LIST / DELELISTE / DELELISTE / OSALUETTELO / LISTA DE PEÇAS / LISTA DE PIEZAS



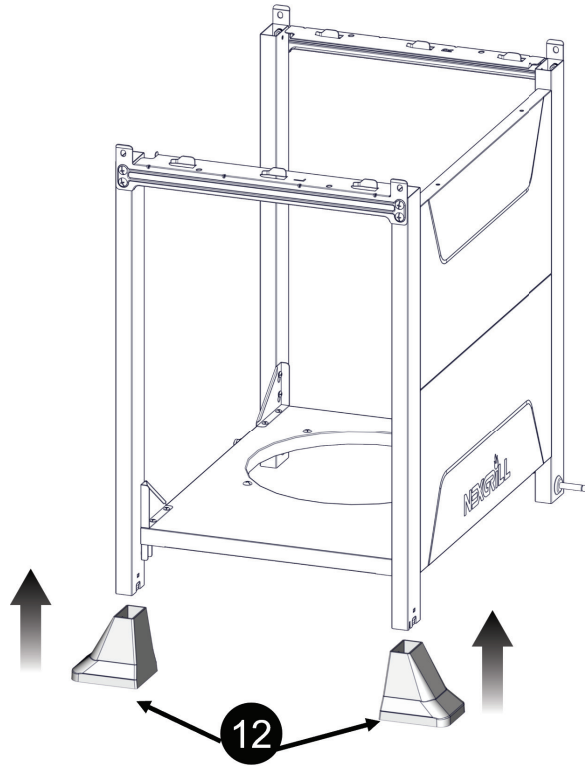




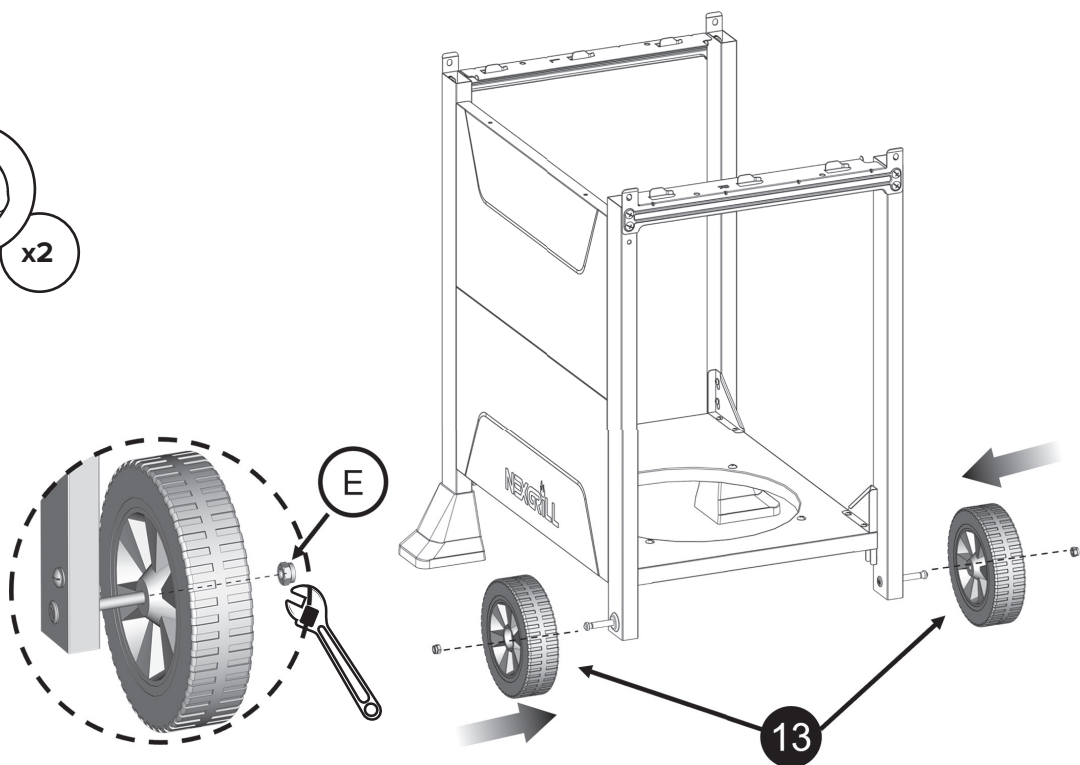
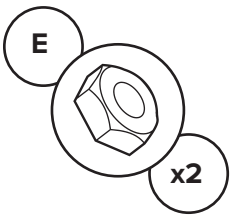




7



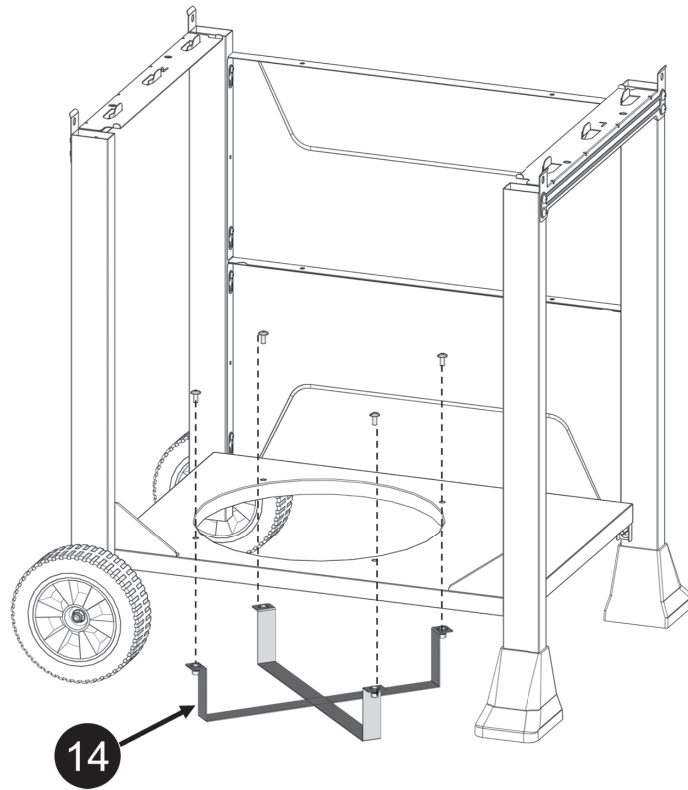
8



9

A

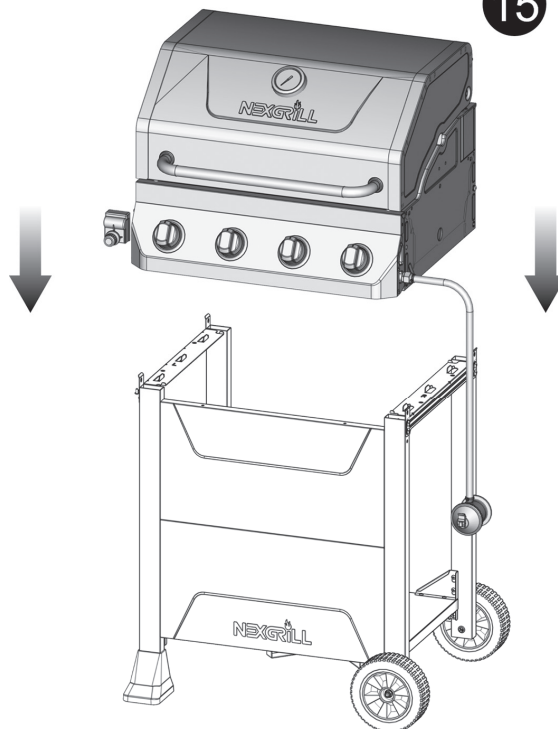
x4



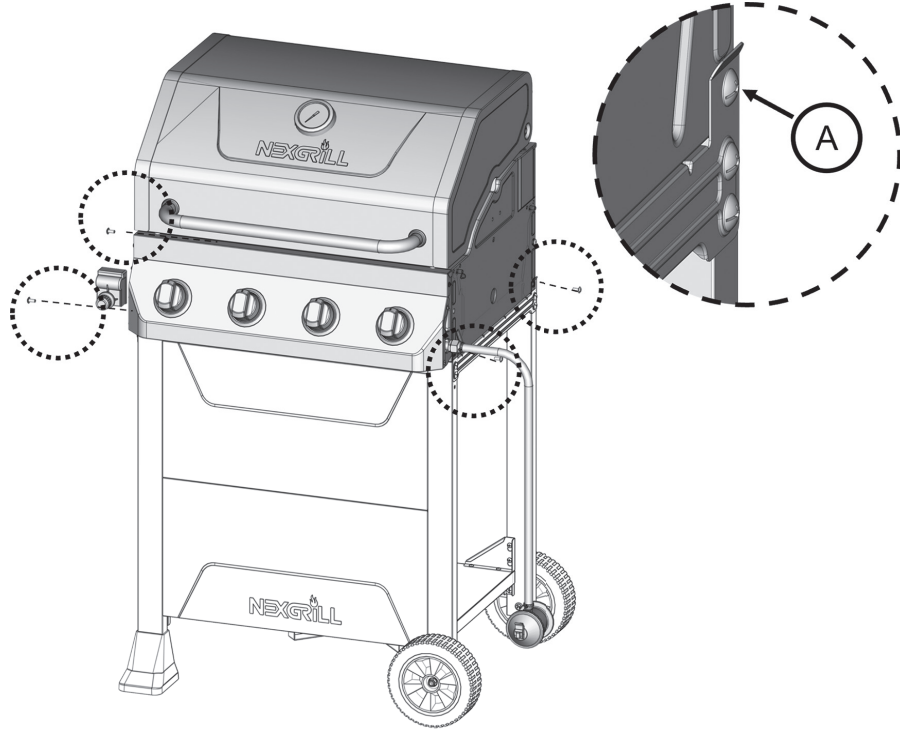
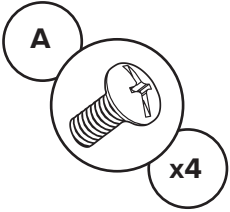
10



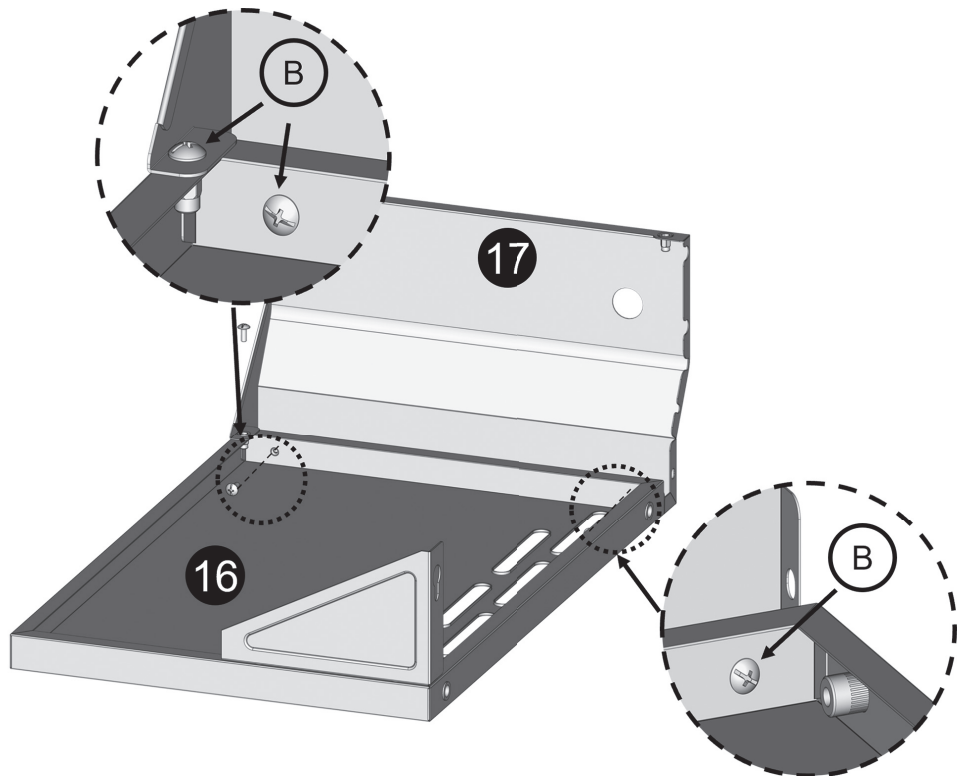
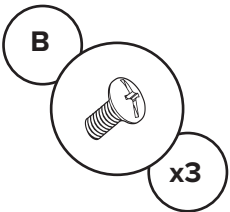
15



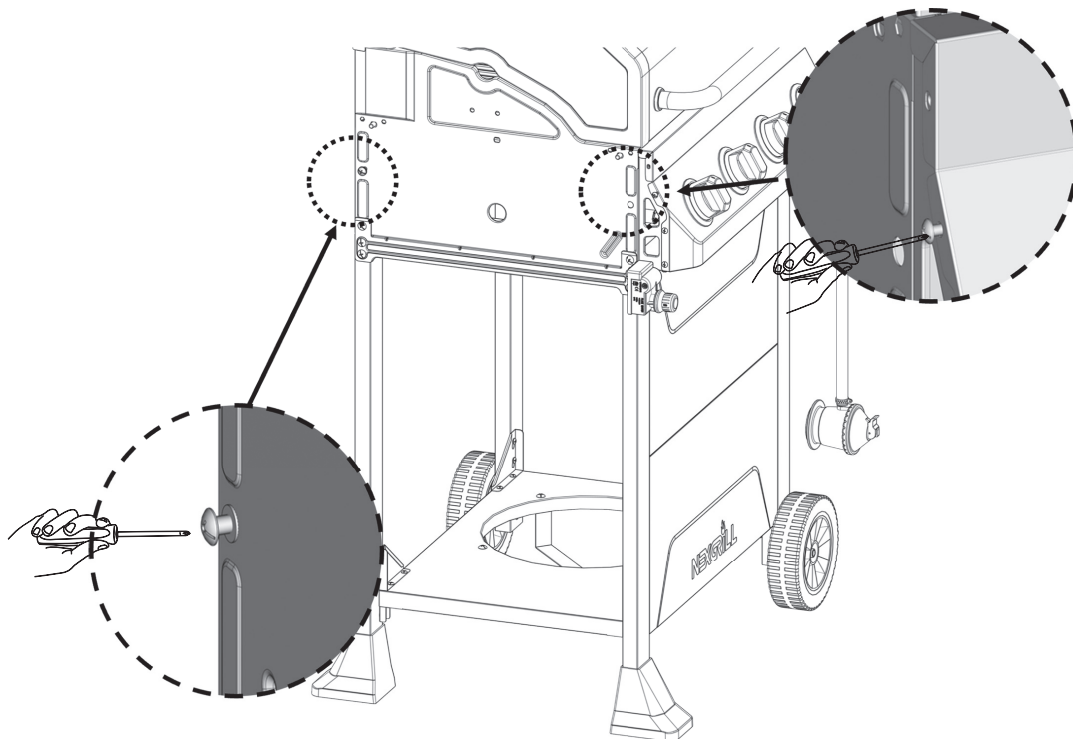
11



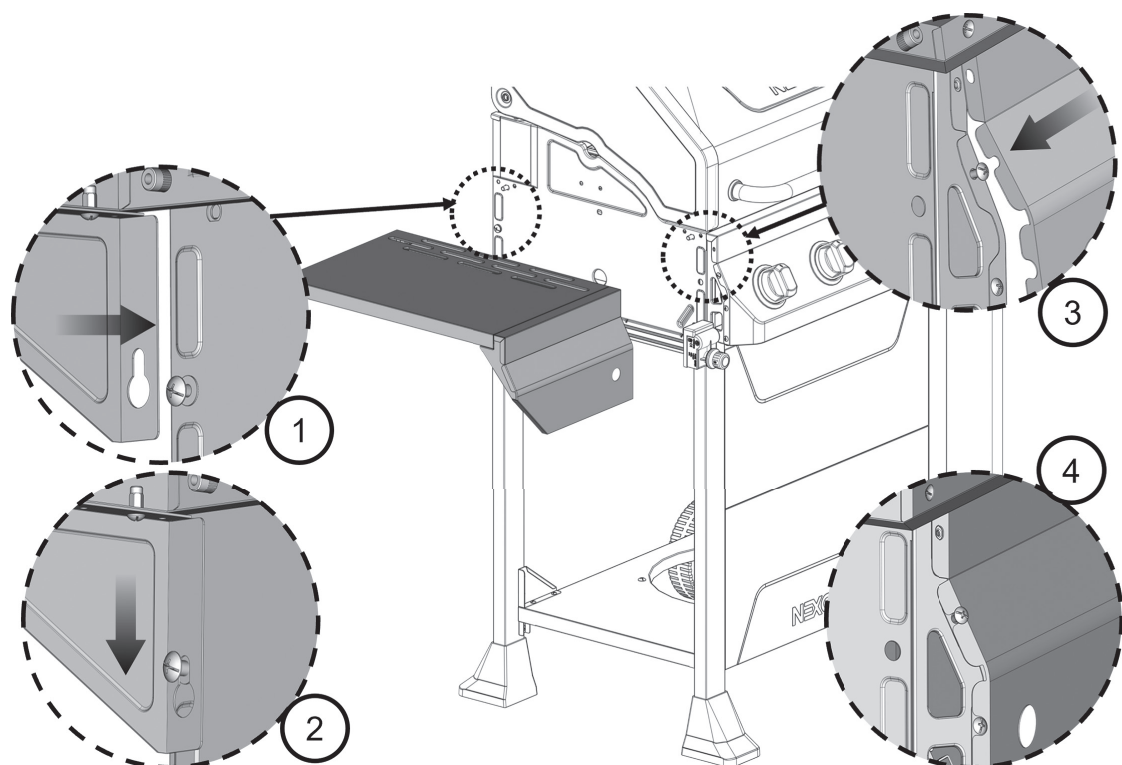
12



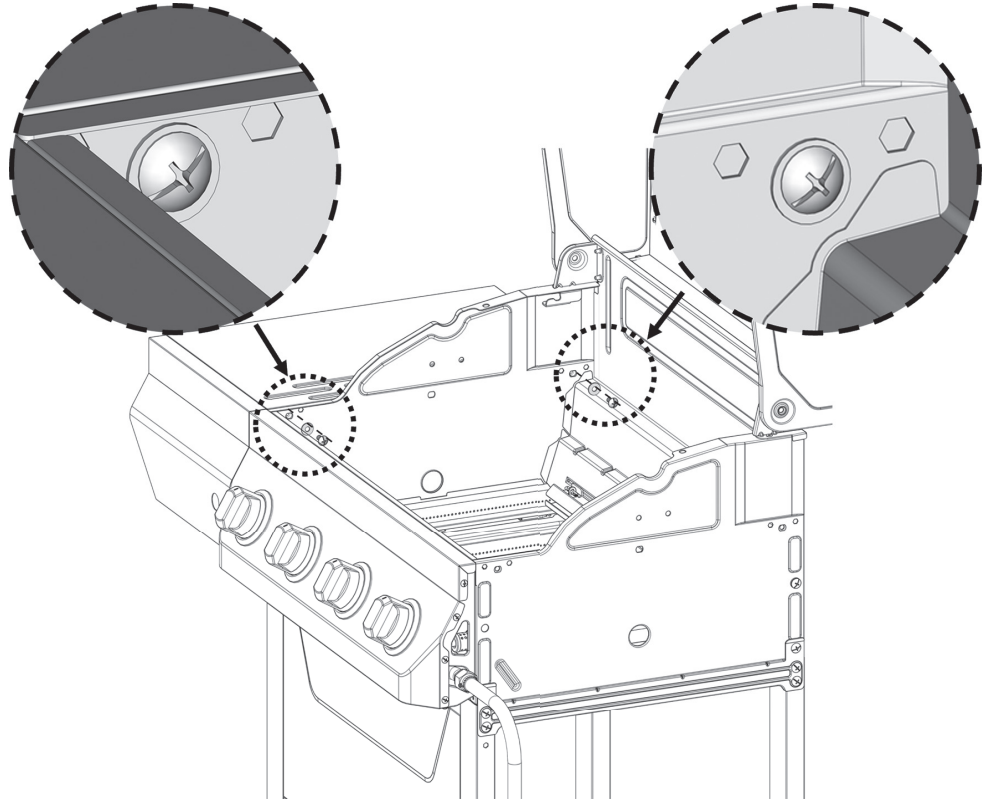
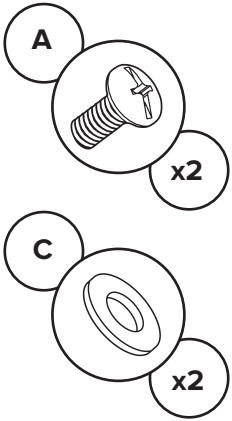
13



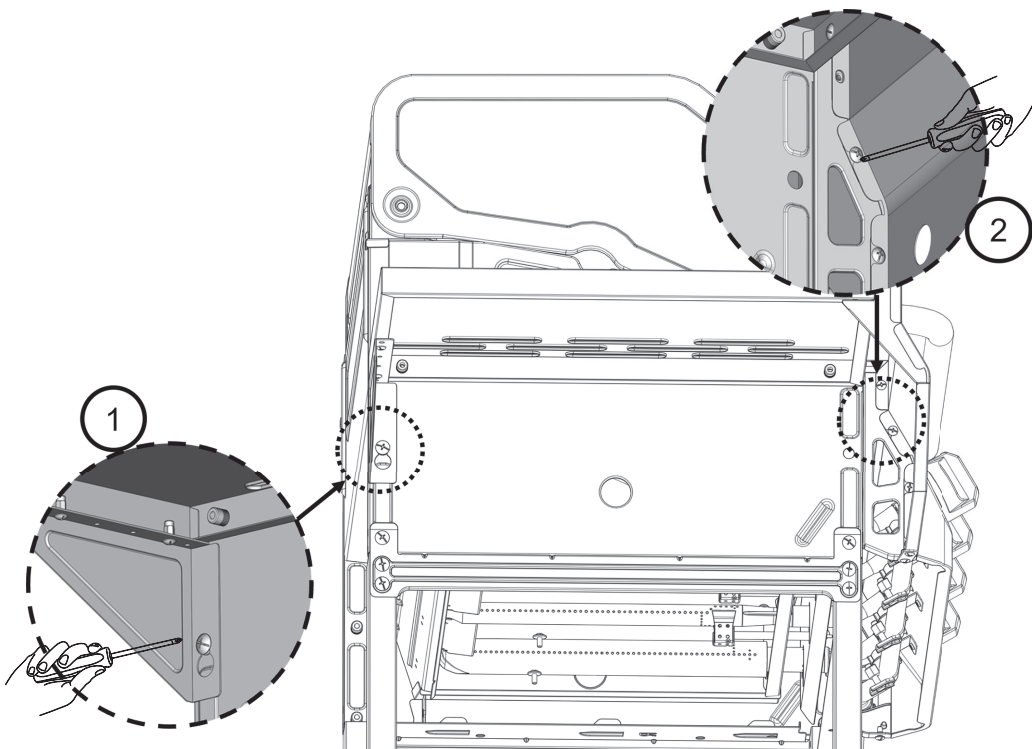
14

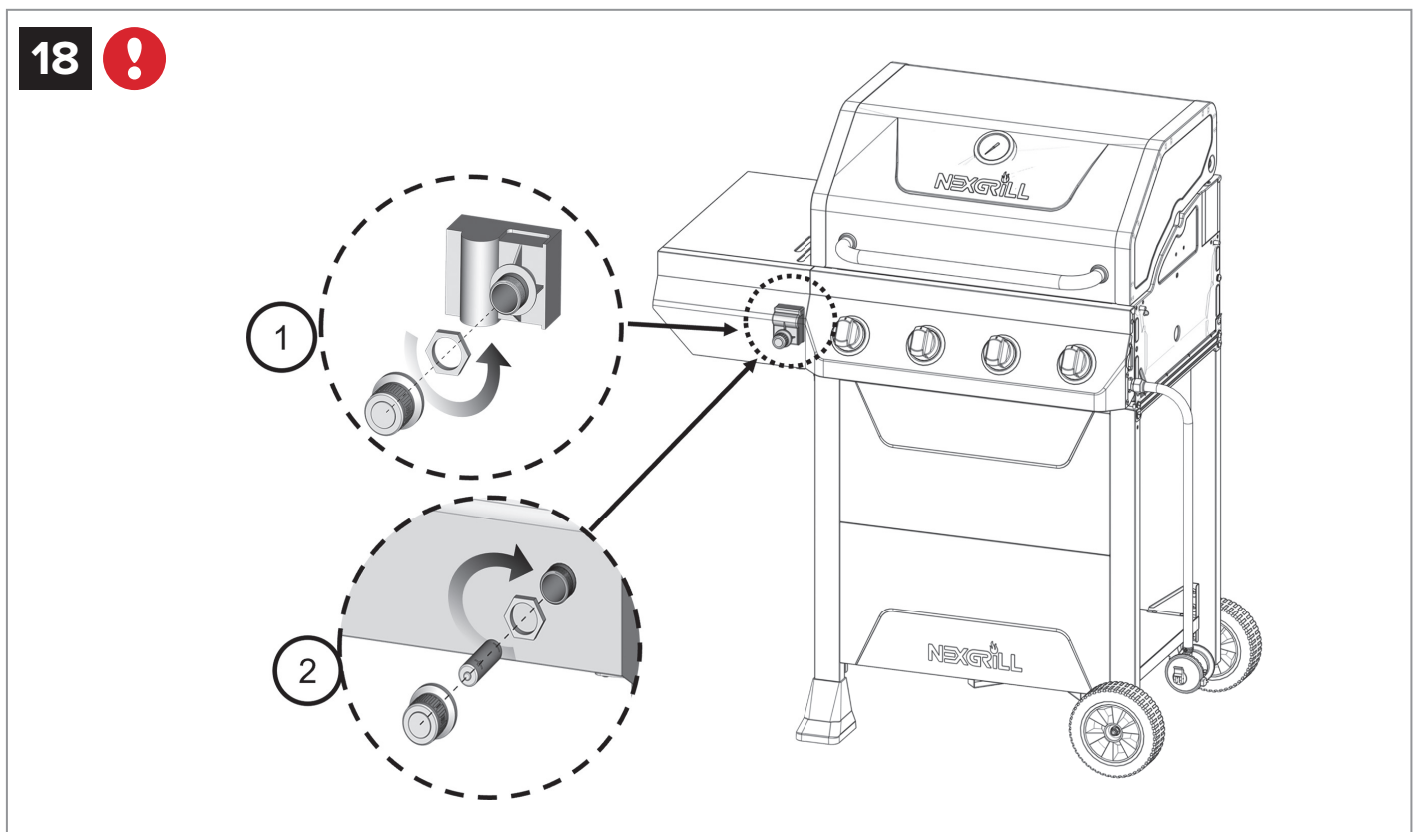
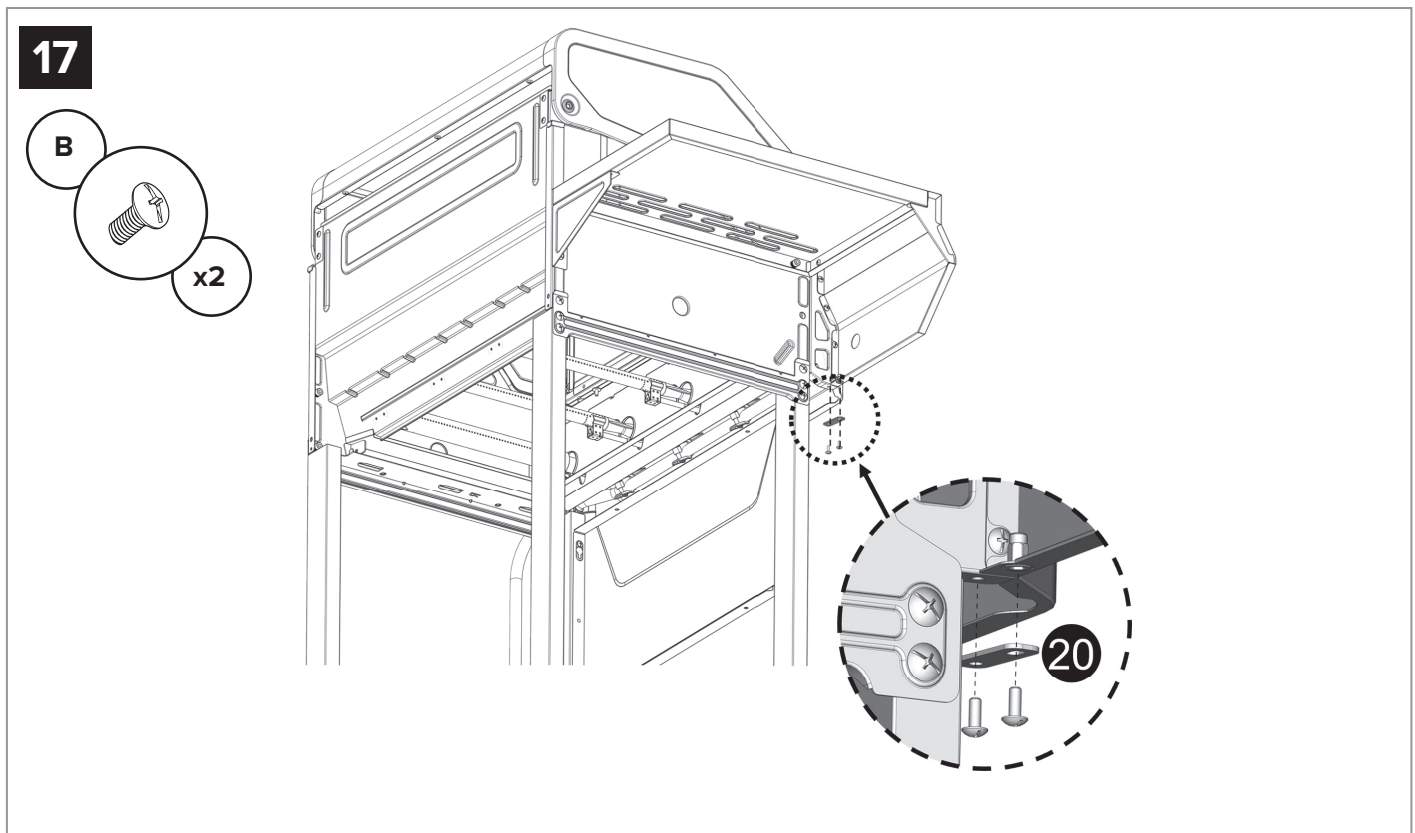


15



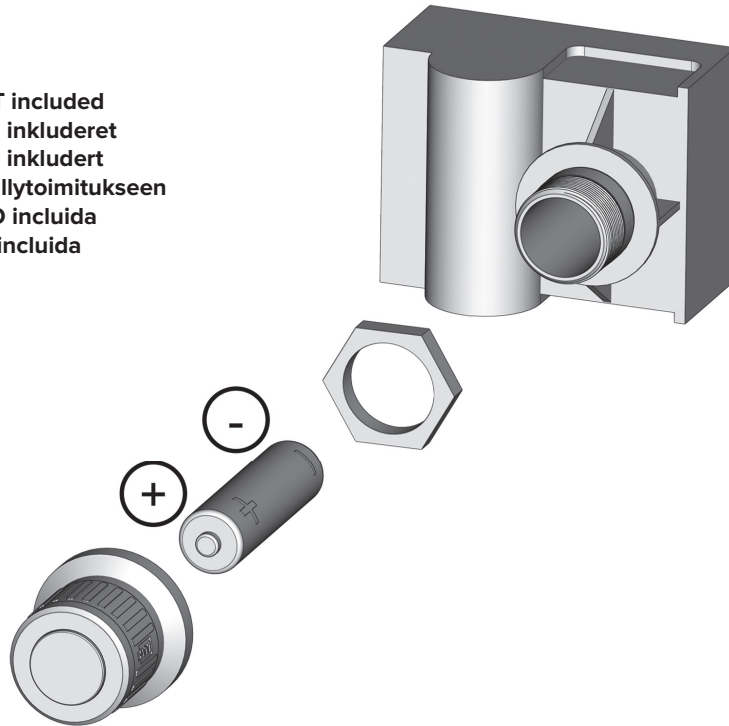
16



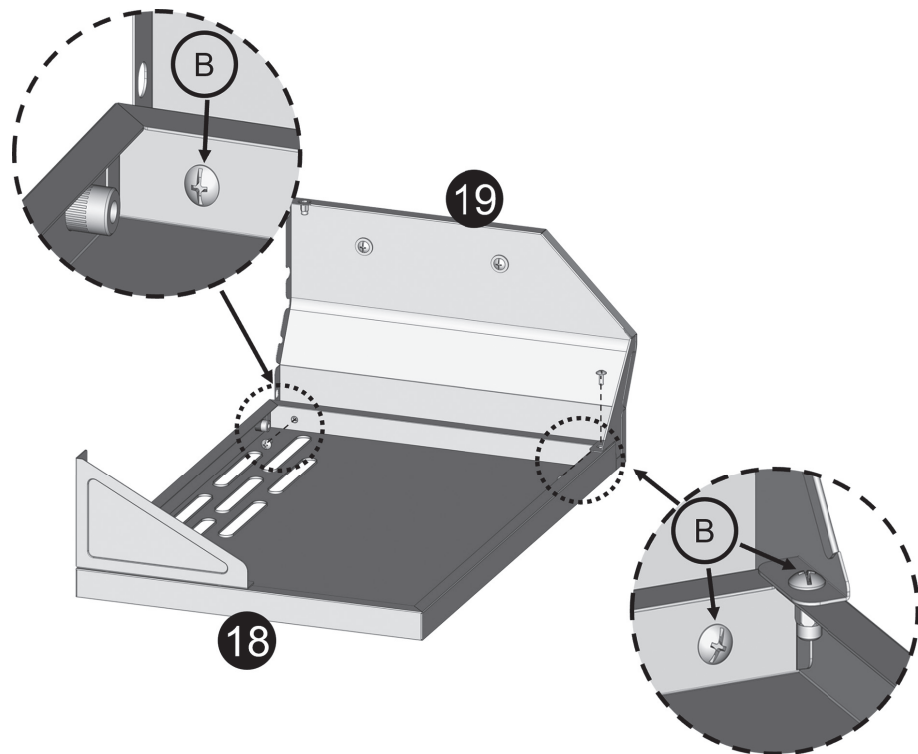
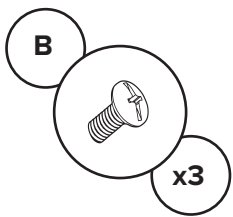


19

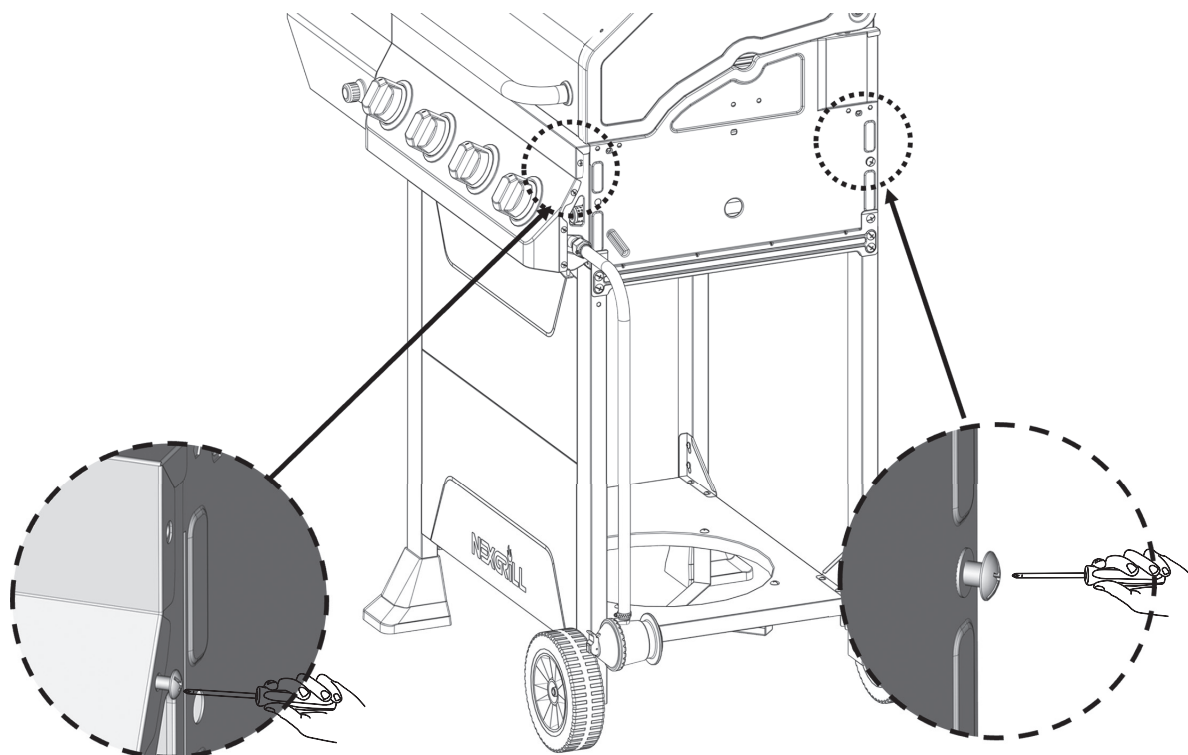
Battery NOT included
Batteri IKKE inkludert
Batteri IKKE inkludert
Akku EI sisallytoimitukseen
Bateria NAO inclusa
Bateria NO inclusa



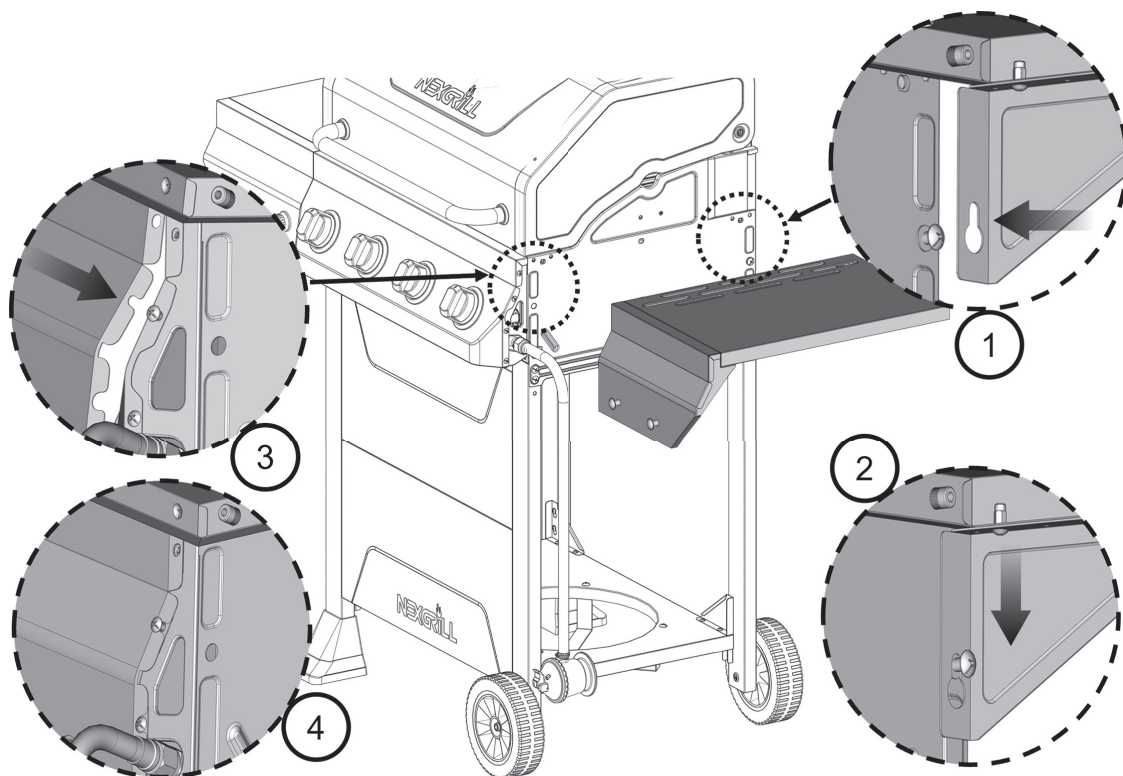
20



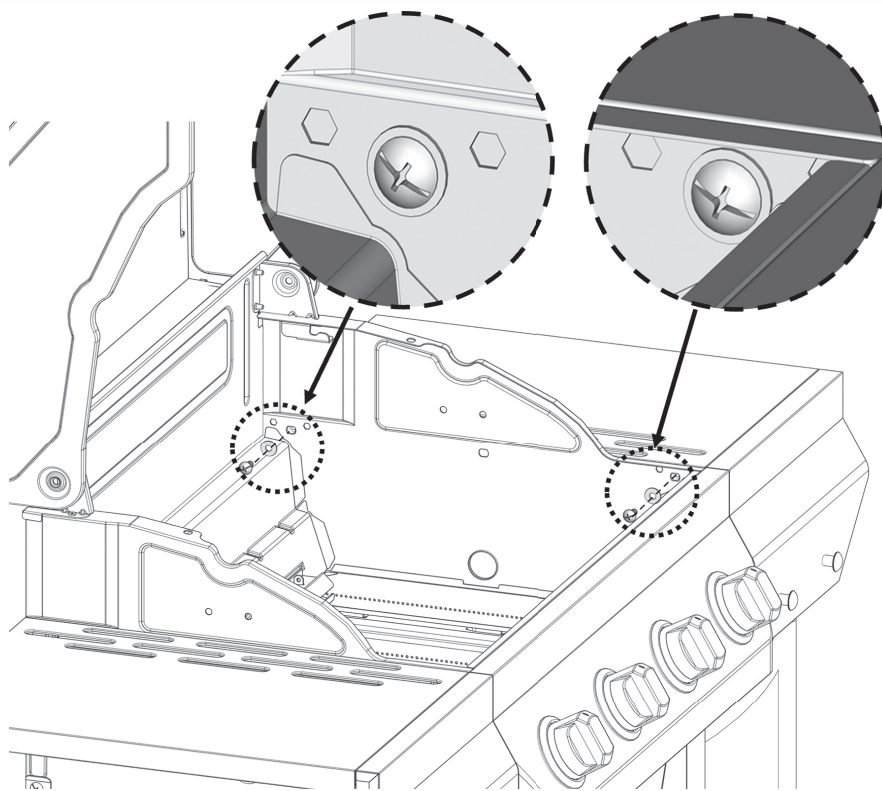
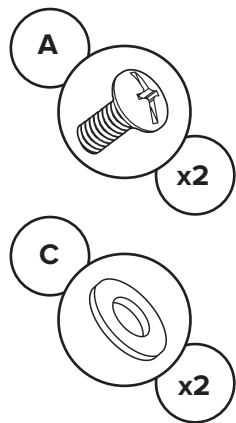
21



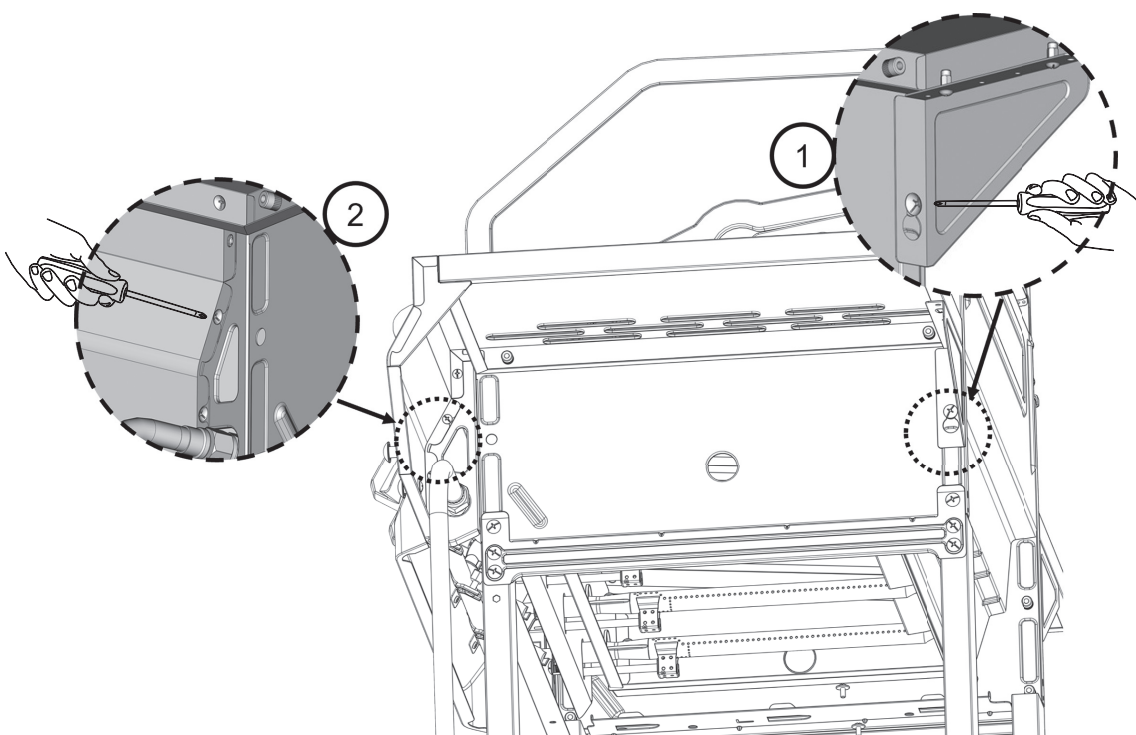
22



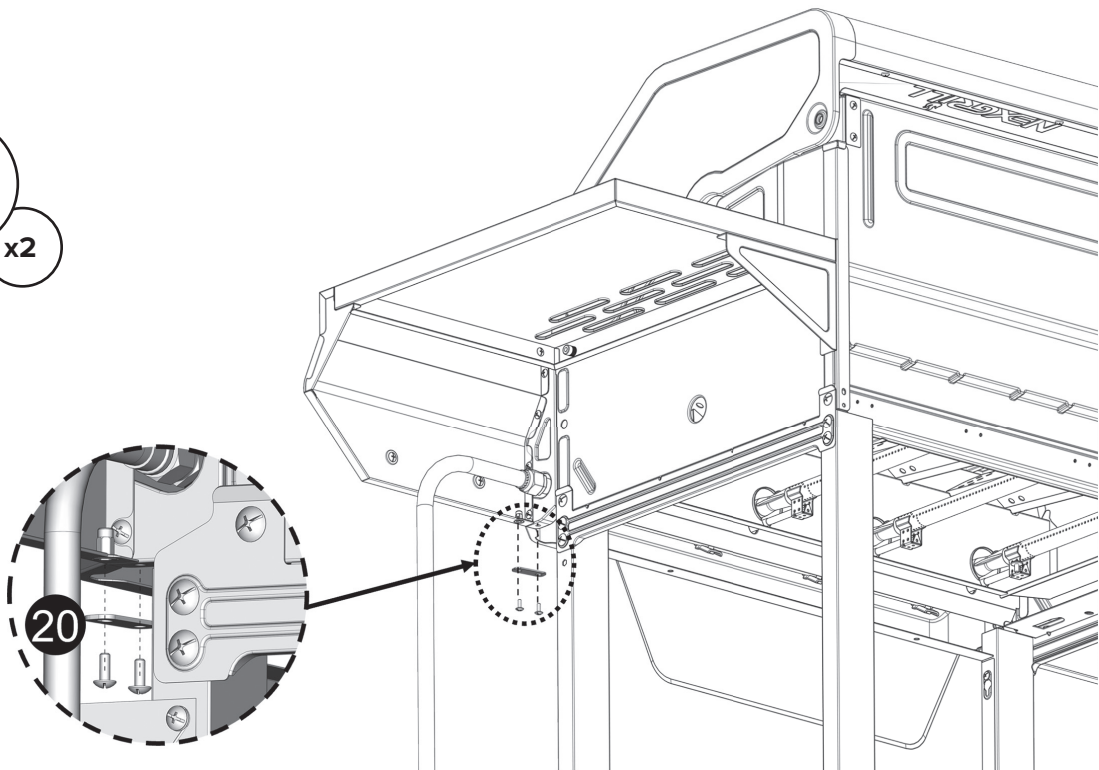
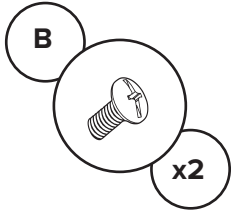
23



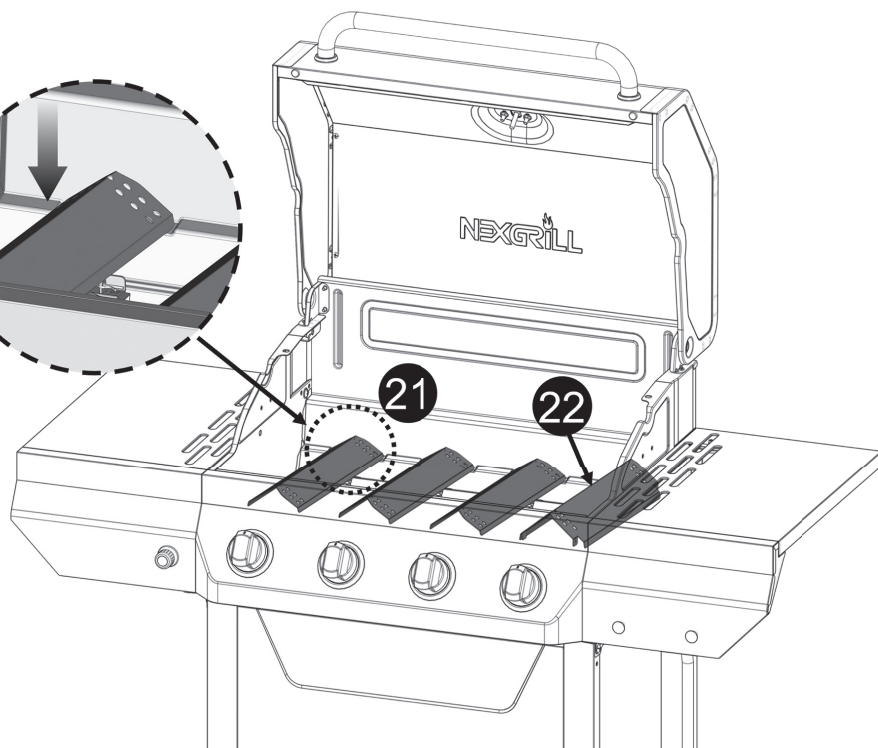
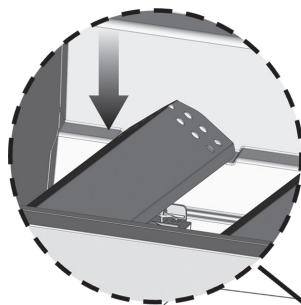
24



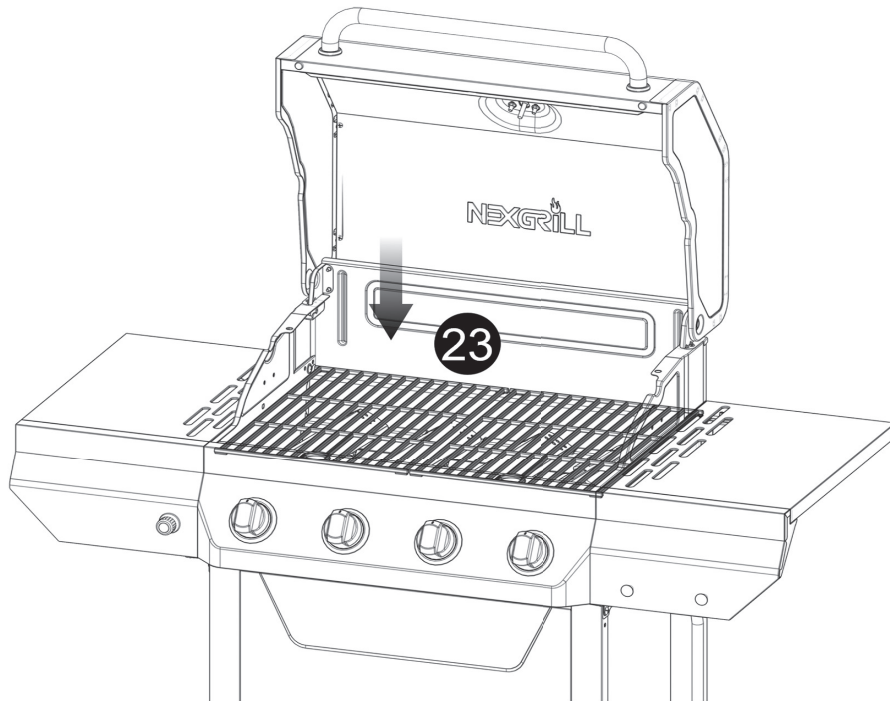
25



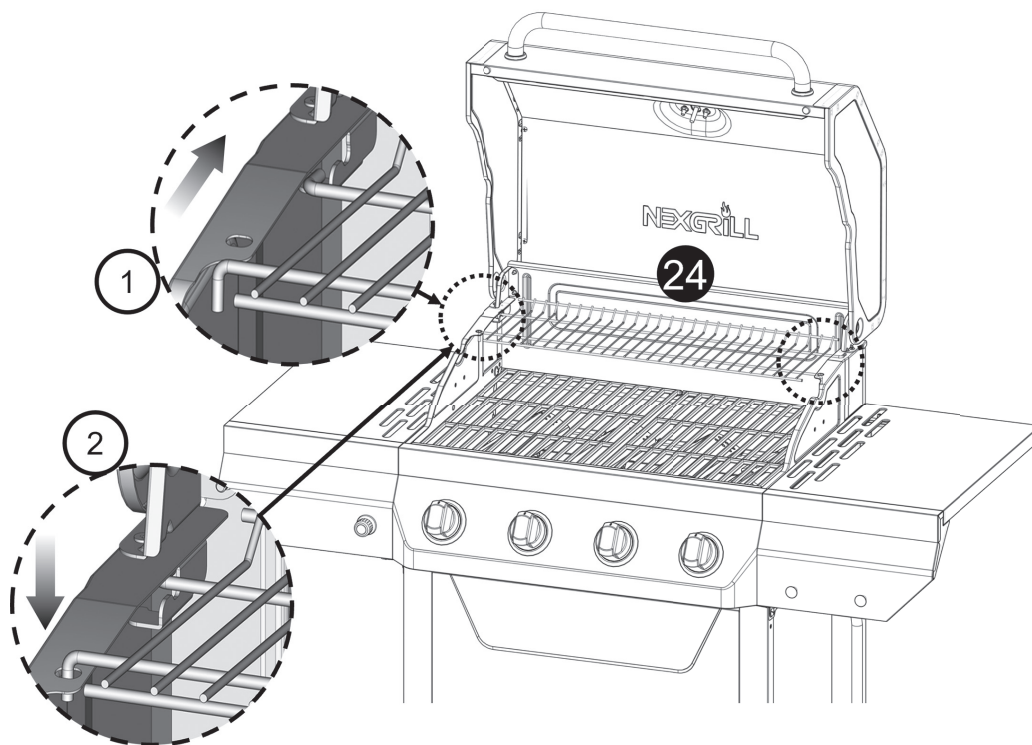
26



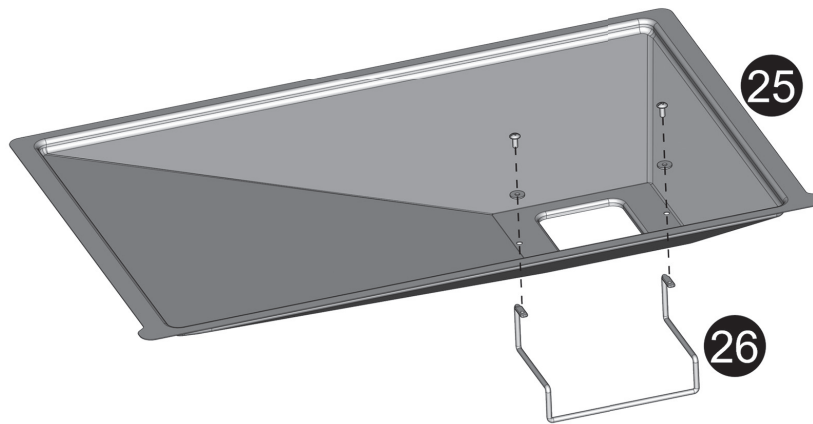
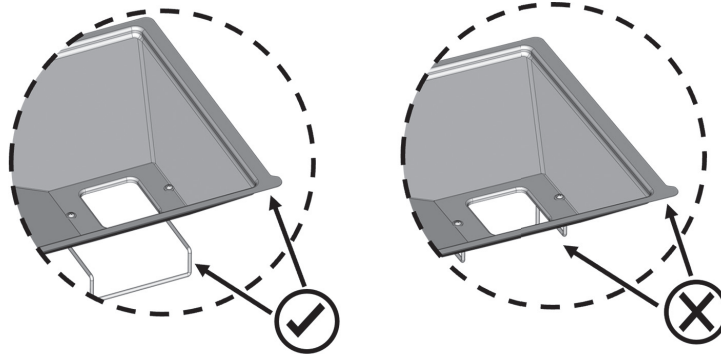
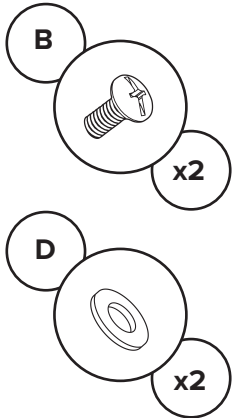
27



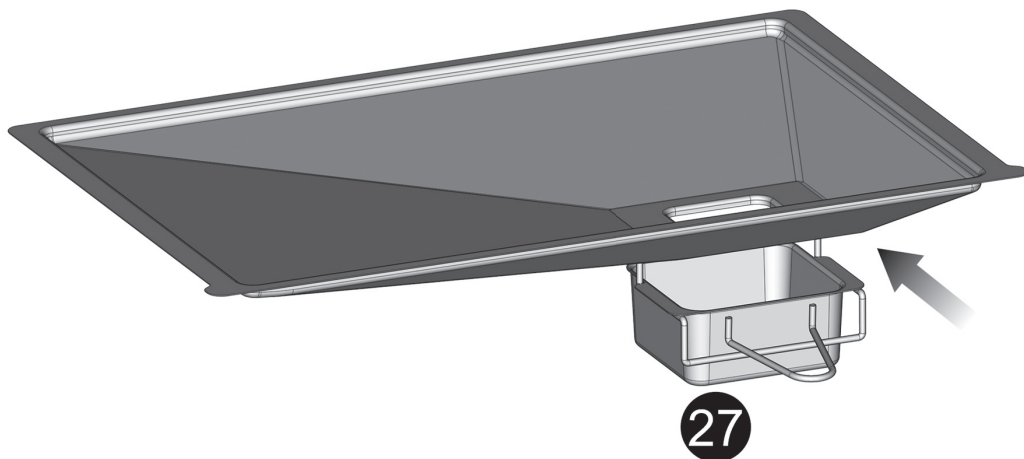
28



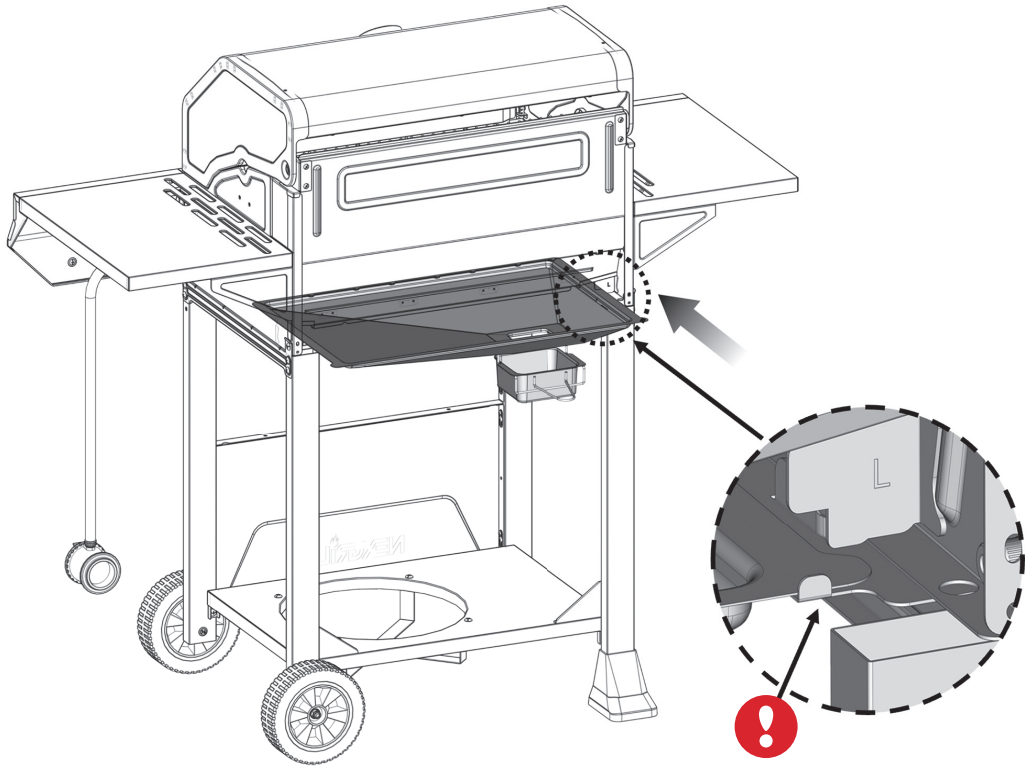
29



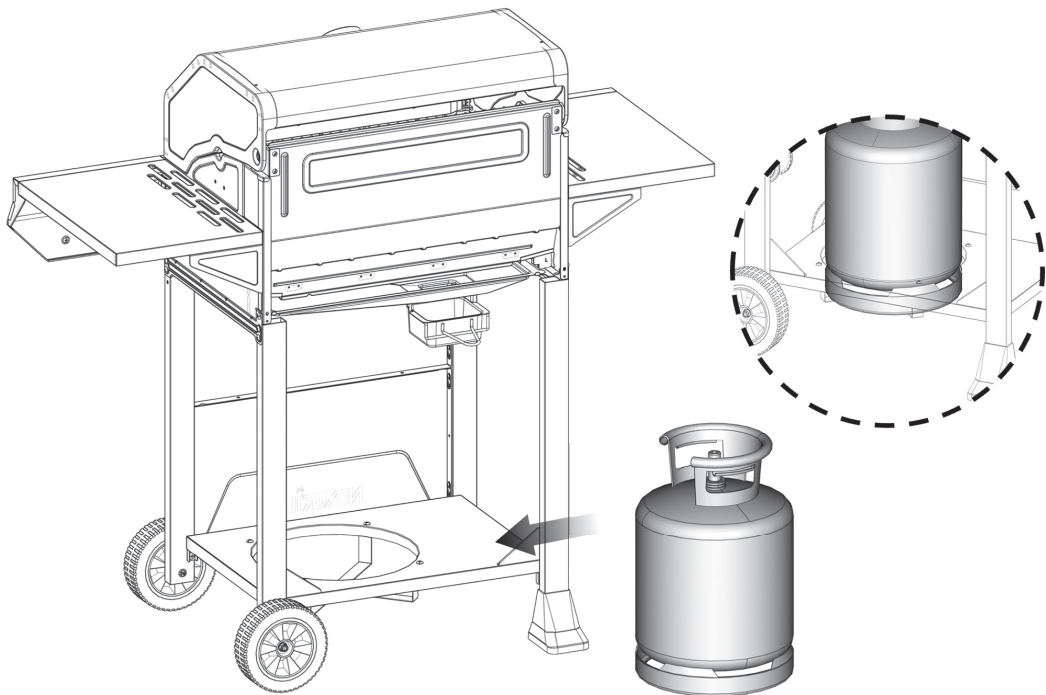
30



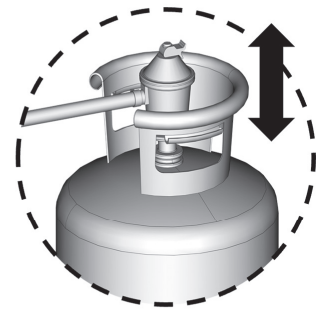
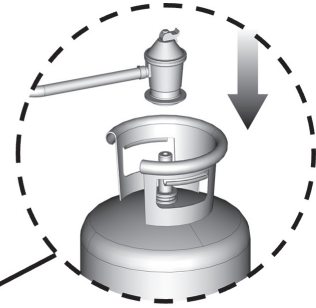
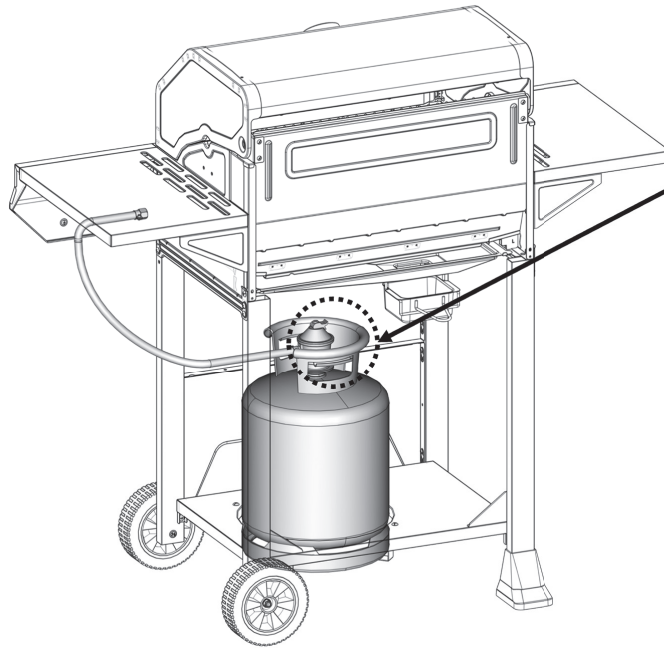
31



32



31





QUESTIONS, PROBLEMS, MISSING PARTS? PLEASE CALL:
SPØRGSMÅL, PROBLEMER, MANGLENDE DELE? RING VENLIGST:
SPØRSMÅL, PROBLEMER, MANGLENDE DELER? RING:
KYSYMYKSIÄ, ONGELMIA TAI PUUTTUVIA OSIA? SOITA:
DÚVIDAS, PROBLEMAS, PEÇAS EM FALTA? LIGUE PARA:
¿PREGUNTAS, PROBLEMAS, PIEZAS FALTANTES? LLAME AL:

+49 5251 875 6174 | ServiceDE@nexgrill.de (DE)
+45 60 20 60 71 | ServiceDK@nexgrill.com (DK)

MODEL / MODELL / MODEL / MODELL / MALLI / MODELO
720-0925PS

NEXGRILL®

Part Number:
19001227A0



2531DQ-0002
2531-25