

Room Thermostat (Digital) Model 568-22

SUPERSEDES: New

EFFECTIVE: December 17, 2015

Plant ID# 001-4108

Installation:

The thermostat should be installed approximately 5 feet above the floor and where the temperature is constant and good air circulation.

Do not mount thermostat on outside walls, other cold walls, near entrance doors, draft locations or near hot or cold registers.

Mounting:

Remove front cover by inserting small screw driver in side slot between cover and tab, then pry cover off as shown in figure 2.

Route wires through hole in base and mount thermostat to wall using two screws.

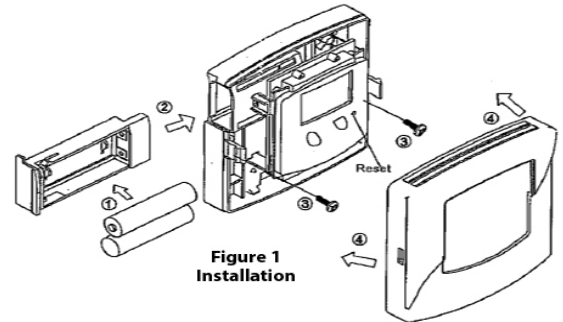


Figure 2.0



Figure 2.1




Figure 2.2

Wiring:




Connect the "R" wire to the "COM" terminal on thermostat as shown in figure 3.

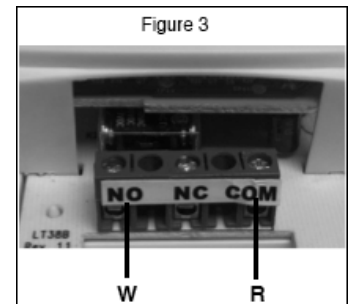
Connect the "W" wire to "NO" terminal on thermostat as shown in figure 3.

Installing Batteries:

Install the 2 AAA batteries in slide out battery holder as shown in figure 1. The thermostat can detect when the batteries are getting weak, a low-battery indicator  shows in the display.

Operation:

To adjust room temperature settings, press the UP ▲ or Down ▼ buttons to select the desired room temperature and the  icon will appear. After 8 seconds the  icon will disappear and return to show the actual room temperature. When the thermostat is calling for heat, the thermometer icon  will blink.



Specifications:

Electrical Data

Power Supply – 3 VDC, 2@AAA Batteries

Switch Rating – 24 VAC 1.0 Amps

Switch Action – Relay Action (Dry Contacts)

Thermal Data

Temperature Range – 40°F to 95°F

Operating Temperature – - 32°F to 104°F

Storage Temperature – - 32°F to 122°F

Operating Humidity Range – 0 to 90% noncondensing



WARNING: To prevent electric shock and/or equipment damage, disconnect electrical power to the system at the main fuse or circuit breaker until installation is complete.

ATTENTION! This product does not contain mercury. However, this product may replace a unit which contains mercury. Do not open mercury cells. If a cell becomes damaged, do not touch any spilled mercury. Wearing non-absorbent gloves, take up the spilled mercury and place into a container which can be sealed. If a cell becomes damaged, the unit should be discarded. Mercury must not be discarded in household trash. When the unit this product is replacing is to be discarded, place in a suitable container. Refer to www.thermostat-recycle.org for location to send the product containing mercury.



WARNING: Do not use on circuits exceeding specified voltage. Higher voltage will damage control and could cause shock or fire hazard.

Do not short out terminals on gas valve or primary control to test. Short or incorrect wiring will damage thermostat and could cause personal injury and/or property damage.

Thermostat installation and all components of the system shall conform to Class II circuits per the NEC code.

Troubleshooting

SYMPTOM	POSSIBLE CAUSE	CORRECTIVE ACTION
No heat (common problems).	<ol style="list-style-type: none"> 1. Batteries installed wrong or dead 2. Blown fuse or tripped 3. Boiler power switch 4. Boiler door or panel properly installed. 	Replacing batteries Replace fuse or reset breaker. Turn switch to ON. Replace door panel in proper position to engage safety interlock or door switch.
No heat.	<ol style="list-style-type: none"> 1. Pilot light not lit. 2. Broken or damaged thermocouple. 3. Loose connection to thermostat or system. 4. Thermostat not responding 5. Thermostat or heating system requires replacement or service. 	Re-light pilot. Replace thermocouple. Have a qualified service person check the system before replacing thermostat. Verify thermostat and system wires are securely attached. Reset thermostat by pushing reset button on front. Your boiler manufacturer or service person can describe how to test the heating system to verify it is operating correctly. If the heating system is capable of operation and the no heat condition persists, replace the thermostat.
Intermittent heat.	<ol style="list-style-type: none"> 1. Boiler lock-out condition. 	Many boilers have safety devices that shut the system down when a lock-out condition occurs. If the heat works intermittently, contact the boiler manufacturer or local service person for assistance.
Heat runs constantly.	<ol style="list-style-type: none"> 1. Possible short in wiring 	Check each wire connection to the thermostat to verify it is neatly looped under the terminals. No extra wire should stick out from under the terminals.

LIMITED WARRANTY STATEMENT

Taco, Inc. will repair or replace without charge (at the company's option) any product or part which is proven defective under normal use within one (1) year from the date of start-up or one (1) year and six (6) months from date of shipment (whichever occurs first).

In order to obtain service under this warranty, it is the responsibility of the purchaser to promptly notify the local Taco stocking distributor or Taco in writing and promptly deliver the subject product or part, delivery prepaid, to the stocking distributor. For assistance on warranty returns, the purchaser may either contact the local Taco stocking distributor or Taco. If the subject product or part contains no defect as covered in this warranty, the purchaser will be billed for parts and labor charges in effect at time of factory examination and repair.

Any Taco product or part not installed or operated in conformity with Taco instructions or

which has been subject to misuse, misapplication, the addition of petroleum-based fluids or certain chemical additives to the systems, or other abuse, will not be covered by this warranty.

If in doubt as to whether a particular substance is suitable for use with a Taco product or part, or for any application restrictions, consult the applicable Taco instruction sheets or contact Taco at [401-942-8000].

Taco reserves the right to provide replacement products and parts which are substantially similar in design and functionally equivalent to the defective product or part. Taco reserves the right to make changes in details of design, construction, or arrangement of materials of its products without notification.

TACO OFFERS THIS WARRANTY IN LIEU OF ALL OTHER EXPRESS WARRANTIES. ANY WARRANTY IMPLIED BY LAW INCLUDING WARRANTIES OF MERCHANTABILITY OR FITNESS IS IN EFFECT ONLY FOR THE DURATION OF THE EXPRESS

WARRANTY SET FORTH IN THE FIRST PARAGRAPH ABOVE.

THE ABOVE WARRANTIES ARE IN LIEU OF ALL OTHER WARRANTIES, EXPRESS OR STATUTORY, OR ANY OTHER WARRANTY OBLIGATION ON THE PART OF TACO. TACO WILL NOT BE LIABLE FOR ANY SPECIAL, INCIDENTAL, INDIRECT OR CONSEQUENTIAL DAMAGES RESULTING FROM THE USE OF ITS PRODUCTS OR ANY INCIDENTAL COSTS OF REMOVING OR REPLACING DEFECTIVE PRODUCTS.

This warranty gives the purchaser specific rights, and the purchaser may have other rights which vary from state to state. Some states do not allow limitations on how long an implied warranty lasts or on the exclusion of incidental or consequential damages, so these limitations or exclusions may not apply to you.

 **Taco Comfort Solutions™** A Taco Group Company

Taco, Inc., 1160 Cranston Street, Cranston, RI 02920 | Tel: (401) 942-8000 | FAX: (401) 942-2360

Taco (Canada), Ltd., 8450 Lawson Road, Suite #3, Milton, Ontario L9T 0J8 | Tel: (905) 564-9422 | FAX: (905) 564-9436

Visit our web site: www.TacoComfort.com | Printed in USA | ©2015 Taco, Inc.

