



Replacement Parts List

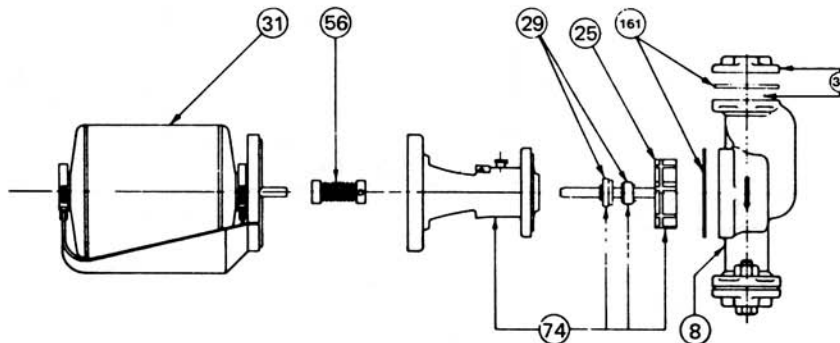
104-003

For 110 Through 120

Effective: April 1, 1989

Supersedes: April 15, 1987

REFER TO 103-104 for LIST PRICES



ITEM #3 BODY GASKET	
MODEL NUMBER	PART NUMBER
HC, 110, 112 & 117	110-364RP
HDH, 111, 113 & 120	120-009RP

ITEM #29 SEAL	
MODEL NO.	PART NO.
All 110 to 120-12	110-275RP

ITEM #8 BODY		
MODEL NO.	CAST IRON	BRONZE
HC, 110 & 112	110-226RP	110-226BRP
HDH & 111	111-004RP	111-004BRP
113	113-001RP	113-001BRP
120-1 to 120-5	NA	NA
120-6 to 120-12	120-083RP	120-083BRP

ITEM #31 MOTOR ASSEMBLY	
MODEL NO.	PART NO.
HC & 110 & 117	110-223RP
HDH, 111 & 113	110-185RP
112	112-074RP
All 120	120-105RP

ITEM #25 IMPELLER & SHAFT		
MODEL NO.	CAST IRON	BRONZE
HC, 110, 110 & 110B	110-207RP	110-207RP
HDH, 111 & 111B	111-053RP	111-053RP
112, 112C & 112B	112-043RP	112-055RP
113, 113C & 113B	113-009RP	113-009RP
120-1 to 120-5	120-056RP	120-060RP
120-6 to 120-12	120-038RP	120-054RP

ITEM #56 COUPLER	
MODEL NO.	PART NO.
All 110 to 120-12	110-009RP

ITEM #74 BRACKET ASSEMBLY			
MODEL NO.	CAST IRON	BRZ. FITTED	BRONZE
HC, 110 & 117	110-361RP	110-361RP	110-362BRP
HDH & 111	111-058RP	111-058RP	111-059BRP
112	112-120RP	112-103BRP	112-103BRP
113	113-013RP	113-013RP	113-012BRP
120-1 to 120-5	120-076RP	120-078RP	120-077BRP
120-6 to 120-12	120-067RP	120-069RP	120-068BRP

ITEM #113 FLANGE GASKET SET	
MODEL NUMBER	PART NUMBER
Flat Red Rubber	110-023RP
Round Cork (Thick)	110-227RP
110 to 113	110-339RP
120-1 to 120-5	120-008RP
120-6 to 120-12	1600-169RP

ITEM #161 GASKET KIT	
MODEL NO.	PART NO.
110 to 113	110-127RP
120	120-073RP

ITEM #36 FLANGE SET		
MODEL NO.	CAST IRON	BRONZE
120-1 to 120-5	120-044RP	120-044BRP
120-6 to 120-12	1600-032RP	1600-032BRP

MOTOR ASSEMBLY L/MOTOR	
MODEL NO. & HP	PART NO.
110 (1/12 HP)	110-082RP
111 & 113 (1/8 HP)	110-008RP
112 (1/3 HP)	110-042RP
120 (1/6 HP)	110-008RP

ITEM —
 Flange Set
 ¾", 1", 1¼", & 1½"
 Interchangeable.
 Refer to Price Sheets
 103-003. For 120
 models with 2 holes,
 specify 1600-032BRP
 for Bronze, 1600-032RP
 for Cast Iron.
 For 120 models with 4
 holes, specify 120-044RP
 for Cast Iron, 120-044BRP
 for Bronze.

Do it Once. Do it Right.®

TACO INC., 1160 Cranston Street, Cranston, RI 02920 Telephone: (401) 942-8000 Fax: 942-2360
 TACO (Canada), Ltd., 6180 Ordan Drive, Mississauga, Ontario L5T 2B3 Telephone: (905) 564-9422 Fax: (905) 564-9436

Visit our website at: www.taco-hvac.com

Printed in USA
 Copyright 1989
 TACO, Inc.