

EFFECTIVE: July 20, 2015

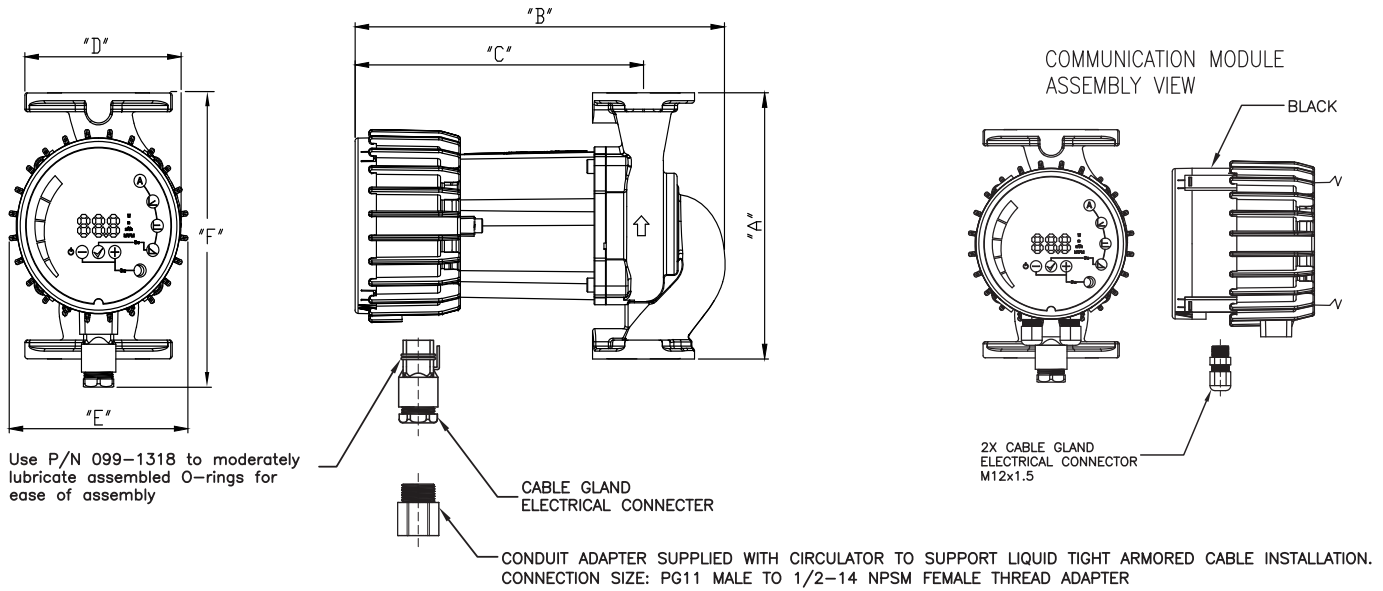
SUPERSEDES: January 15, 2015

JOB _____ ENGINEER _____

CONTRACTOR _____ REP _____

ITEM NO.	MODEL NO.	G.P.M.	T.D.H.	MAX HP	ELEC. CHAR.	H MAX SETTING	% PROP SETTING
----------	-----------	--------	--------	--------	-------------	---------------	----------------

WEIGHT _____ PUMP/MOTOR _____



DIMENSIONS:

MODEL NUMBER	FLANGE SIZE	POWER (HP)	DIMENSIONS – IN. (mm)						WEIGHT LBS. (KG)
			A	B	C	D	E	F	
VR3452-FC1A00	3/4 to 1 1/2"	1/100 to 1/4	6-3/8 (162)	9-3/4 (247)	7-1/2 (190.5)	4 (102)	4-5/8 (117)	7 (177.8)	8.0 (3.6)
VR3452-FC1A01 (with comm module)	3/4 to 1 1/2"	1/100 to 1/4	6-3/8 (162)	11 (279)	8-3/4 (222.25)	4 (102)	4-5/8 (117)	7 (177.8)	8.3 (3.8)

PUMP SPECIFICATIONS:

- Maximum Operating Pressure: 145 PSI (10 bar)
- Water Temperature Range: 14° – 230°F (-10° – 110°C)
- Ambient Operation Temperature Range: 32° – 104°F (0° – 40°C). Ambient temperature should be 104°F (40°C) or lower when fluid temperature exceeds 194°F (90°C).
- Minimum static inlet pressure at pump suction port (PSI / bar) to avoid cavitation at fluid temperatures:

FLUID TEMPERATURES	(PSI / Bar)
112°F (50°C)	0.73/0.05
176°F (80°C)	5.8/0.4
230°F (110°C)	15.95/1.1

- Designed for closed loop heating and cooling systems pumping water or a water/glycol mixture.
- For indoor use only - employer uniquement a l'interieur.
- Flanged in-line connections. Companion flanges not included. Uses 3/4" to 1-1/2" Freedom Flanges - see cat#100-7.3, 005-0011 flanges.

MATERIALS OF CONSTRUCTION:

- Casing: Cast Iron cataphoresis coated
- Impeller: Engineered Polymer
- Shaft: Stainless Steel
- Bearing: Metal Impregnated Carbon

ELECTRICAL SPECIFICATIONS:

- Pump Ratings: 1 phase, 110 - 120V, 47-63Hz (VR3452-HY1)
1 phase, 200 - 240V, 47-63Hz (VR3452-HB1)
- Power Consumption: 1/4HP, 10-180W
- Rated Current: (1 phase, 115V) 0.1A to 2.5A
(1 phase, 230V) 0.1A to 1.65A
- Continuous Duty
- Built-in Startup circuit

STANDARDS and PROTECTION:

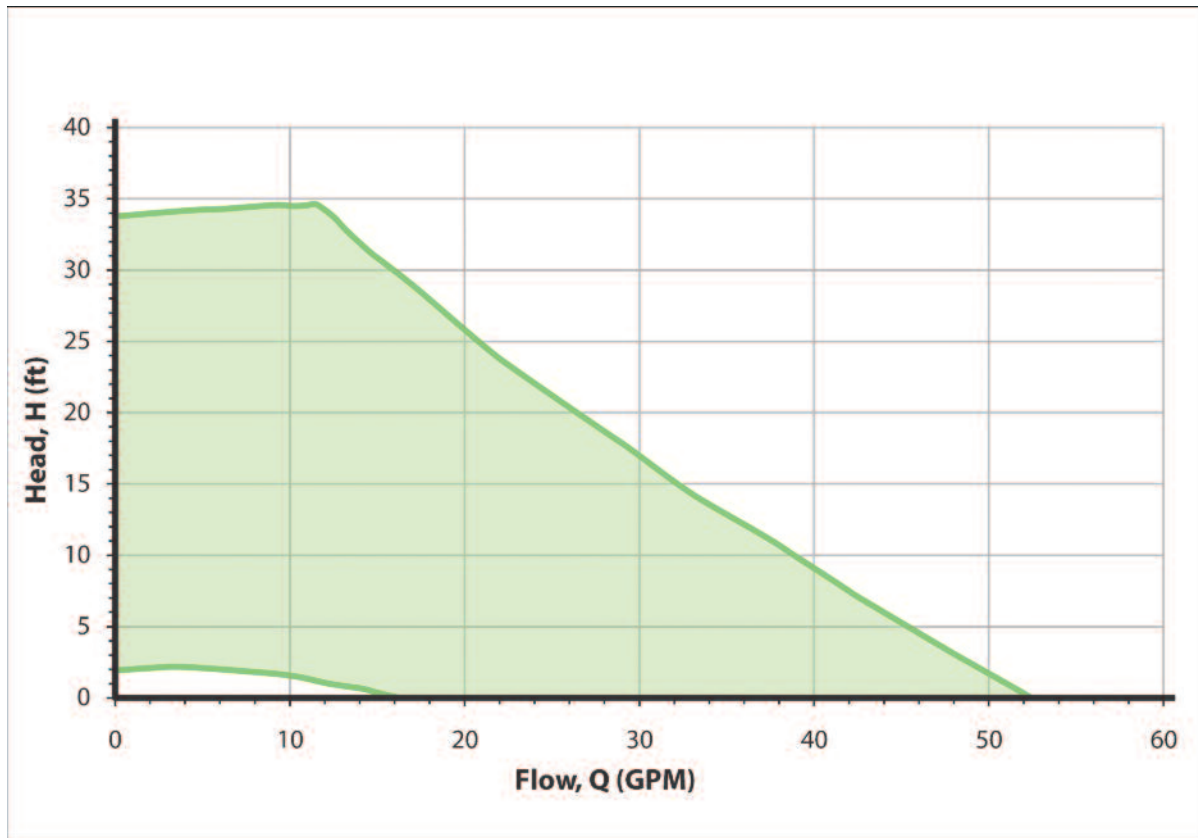
- Insulation: Class F, 230V; Class H, 115V
- Enclosure: Class 2, IP44
- Integrated Motor Protection (electronically protected)
- UL 778
- CAN/CSA C22.2 #108
- EMC (89/366 EEC): EN 61000
- LVD (73/23/EC): EN 60335-1, EN 60335-2-51
- Machine Safety (98/37/EC): EN ISO 12100

OPERATING MODES:

- Factory default: Automatic
- Delta P-V
- Proportional Pressure Control
- RPM Regulation



VIRIDIAN 3452 PERFORMANCE CURVE



Comments: _____

TACO Comfort Solutions™ A Taco Group Company
Taco, Inc., 1160 Cranston Street, Cranston, RI 02920 | Tel: (401) 942-8000 | FAX: (401) 942-2360
Taco (Canada), Ltd., 8450 Lawson Road, Suite #3, Milton, Ontario L9T 0J8 | Tel: (905) 564-9422 | FAX: (905) 564-9436
Visit our web site: www.TacoComfort.com | Printed in USA | ©2015 Taco, Inc.

