



Instruction Sheet

Model 5000-2 Mixing Valve

102-080

SUPERSEDES: 102-080 dated March 1, 2006

EFFECTIVE: June 1, 2006

GENERAL

- All installations should be carried out by a Licensed Professional.
- Ensure compatibility of valve installation, e.g. temperature of hot water, inlet pressure, and flow rates – refer to specification section.
- Install in accordance with markings on valve body, i.e. hot water inlet – marked “H”, cold water inlet – marked “C” and mixed outlet – marked with directional arrow.
- Valve may be installed in any position.
- Any inconsistency between these instructions and any specific instructions, bylaws or codes issued by local authorities must be referred back to Taco, Inc. prior to any installation taking place.
- The Taco Model 5000-2 Mixing Valve must not be fitted on steam supplied systems.
- During startup ensure that the valve is set to the desired temperature (valve preset to 130°F). If the valve temperature needs to be adjusted please refer to the instructions below.

FITTING VALVE TO PIPEWORK

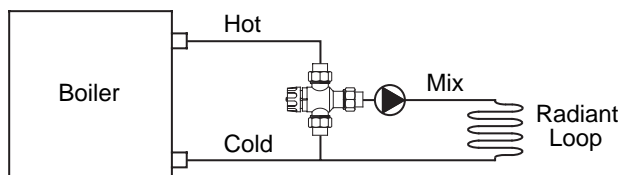
- Flush all pipework thoroughly before installing the valve (using water only).
- Valve comes complete with union type connections for ease of installation and service.
- Valve must be removed from the pipework prior to soldering the end connections. It is recommended to use a spacer piece while soldering.

SETTING VALVE OUTLET TEMPERATURE

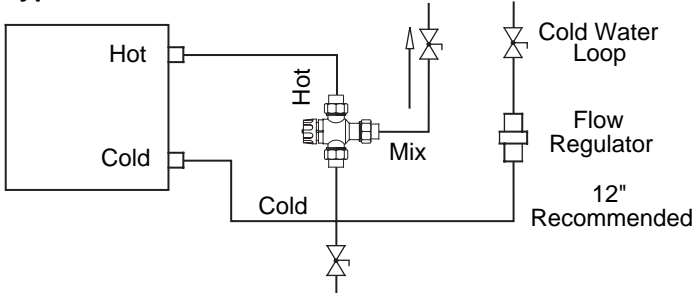
The Taco Model 5000-2 Mixing Valve is supplied factory set and locked to a nominal 130°F. It may need to be altered depending on operating requirements.

1. Remove the green knob by inserting a small screwdriver in the notch and gently prying up. (See Fig. 1)
2. Turn both the hot and cold water supplies on. Open an outlet, preferably a sink or basin rather than a shower. To calibrate, let the water run for 2 minutes and measure the outlet temperature with a thermometer. Using the groove on the top of the cover provided to fit over the adjustment nut, adjust the knob counter clockwise to increase temperature and clockwise to decrease temperature. (See Fig. 2)
3. Once the desired outlet temperature has been achieved refit the top knob so that it snaps onto the body.

Low Temperature or Radiant Installation



Typical Domestic Water Installation



Primary/Secondary Installation

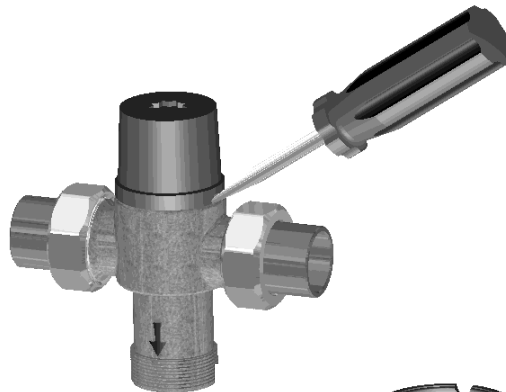
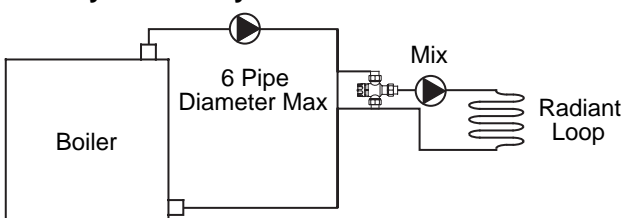


Fig. 1

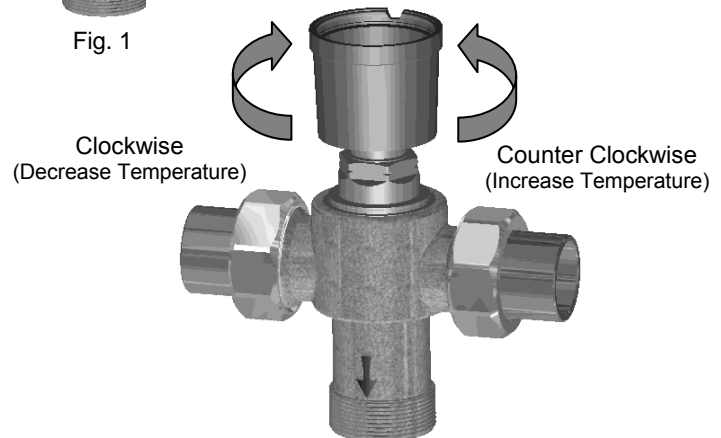



Fig. 2

SPECIFICATION

Max. Hot Water Inlet Temperature:	210°F	Outlet Water Temperature Range:	85°F – 150°F
Min. Cold Water Inlet Temperature:	39°F	Min. Temperature Differential	
Inlet Pressure:	200 psi maximum	(between hot supply and outlet):	20°F

The Taco Model 5000-2 Mixing Valve maintains a constant outlet temperature to +/- 5° given limited variations of water inlet temperature and pressures. Note: At low flow operation, the outlet temperature may vary slightly more.

Differential pressure at the valve inlet should be within a 5 to 1 ratio under normal flow conditions. Inline fittings, pipework layout and sizing must be taken into consideration. In applications where hot water thermal syphonage is a concern the valve should be "trapped", installing the valve below the cold water inlet to the heater. In installations where the valve is supplied with unbalanced hot and cold pressures greater than a 5 to 1 ratio please consult the factory.

 **CAUTION:** The Taco Model 5000-2 Mixing Valve is certified to ASSE 1017. It is not to be used to provide "anti-chill" or "anti-scald" service. Taco Tempering Valves are not designed to compensate for system pressure fluctuations and should not be used where more sophisticated pressure compensating temperature controls are required.

MAINTENANCE

The Taco Model 5000-2 Mixing Valve does not require routine maintenance but should be checked annually. Replacement element assemblies are available.

O-RING/PISTON SUB-ASSEMBLY REPLACEMENT

1. Isolate the valve from the water supply.
2. Unscrew the Union Nuts and remove the Valve Body from the system.
3. Using a screw driver, pry the Cover from the valve.
4. Secure the valve Body (using the flats on the body) and unscrew the brass Cap to remove the internals of the valve.
5. From the outlet port, push the Spring and the Piston assembly out of the top of the valve.
6. Clean the valve body paying particular attention to the flat sealing face half way down the inside of the valve body and the O-Ring sealing face immediately above it.
7. Remove the old Piston/Element Assembly and O-Ring from the Cap. Lightly grease the new O-Rings with the Grease Packet provided, and fit the O-Rings onto the internals.
8. Assemble in the reverse order.
9. When re-fitting the brass Cap do not over tighten, as this is an O-Ring seal.
10. Reinstall the valve into the piping arrangement using the union fittings and set the outlet mix temperature as indicated above in **SETTING THE OUTLET TEMPERATURE**.

LIMITED WARRANTY STATEMENT

Taco, Inc. will repair or replace without charge (at the company's option) any product or part which is proven defective under normal use within one (1) year from the date of start-up or one (1) year and six (6) months from date of shipment (whichever occurs first).

In order to obtain service under this warranty, it is the responsibility of the purchaser to promptly notify the local Taco stocking distributor or Taco in writing and promptly deliver the subject product or part, delivery prepaid, to the stocking distributor. For assistance on warranty returns, the purchaser may either contact the local Taco stocking distributor or Taco. If the subject product or part contains no defect as covered in this warranty, the purchaser will be billed for parts and labor charges in effect at time of factory examination and repair.

Any Taco product or part not installed or operated in conformity with Taco instructions or which

has been subject to misuse, misapplication, the addition of petroleum-based fluids or certain chemical additives to the systems, or other abuse, will not be covered by this warranty.

If in doubt as to whether a particular substance is suitable for use with a Taco product or part, or for any application restrictions, consult the applicable Taco instruction sheets or contact Taco at [401-942-8000].

Taco reserves the right to provide replacement products and parts which are substantially similar in design and functionally equivalent to the defective product or part. Taco reserves the right to make changes in details of design, construction, or arrangement of materials of its products without notification.

TACO OFFERS THIS WARRANTY IN LIEU OF ALL OTHER EXPRESS WARRANTIES. ANY WARRANTY IMPLIED BY LAW INCLUDING WARRANTIES OF MERCHANTABILITY OR

FITNESS IS IN EFFECT ONLY FOR THE DURATION OF THE EXPRESS WARRANTY SET FORTH IN THE FIRST PARAGRAPH ABOVE.

THE ABOVE WARRANTIES ARE IN LIEU OF ALL OTHER WARRANTIES, EXPRESS OR STATUTORY, OR ANY OTHER WARRANTY OBLIGATION ON THE PART OF TACO.

TACO WILL NOT BE LIABLE FOR ANY SPECIAL, INCIDENTAL, INDIRECT OR CONSEQUENTIAL DAMAGES RESULTING FROM THE USE OF ITS PRODUCTS OR ANY INCIDENTAL COSTS OF REMOVING OR REPLACING DEFECTIVE PRODUCTS.

This warranty gives the purchaser specific rights, and the purchaser may have other rights which vary from state to state. Some states do not allow limitations on how long an implied warranty lasts or on the exclusion of incidental or consequential damages, so these limitations or exclusions may not apply to you.

DO IT ONCE. DO IT RIGHT.™

TACO, INC., 1160 Cranston Street, Cranston, RI 02920 Telephone: (401) 942-8000 FAX: (401) 942-2360.

TACO (Canada), Ltd., 6180 Ordan Drive, Mississauga, Ontario L5T 2B3. Telephone: 905/564-9422. FAX: 905/564-9436.

Visit our web site at: <http://www.taco-hvac.com>

Printed in USA
Copyright 2006
TACO, Inc.